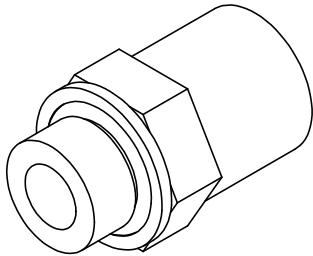


CHAPTER 18

HYDRAULICS



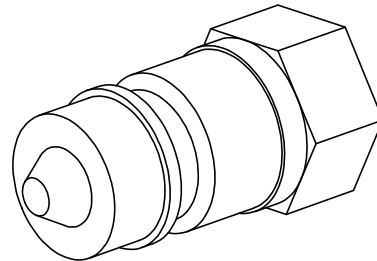
Quick Release Couplings	18-2
Hose ID Tags	18-3
Hydraulic O-Rings & Retaining Washers	18-4
Hydraulic Hoses	18-4
Boom Lower Control Solenoid . . .	18-5
Hydraulic Cylinder Seal Kits	18-6

Rev 00 15/3/10

QUICK RELEASE COUPLINGS

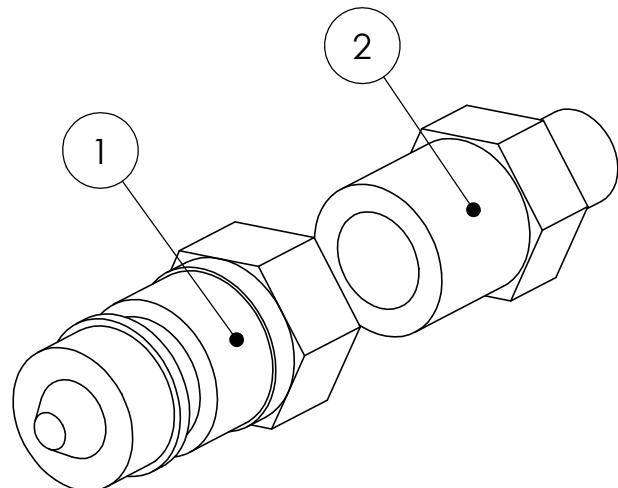
1/2" Hydraulic Lines

Item	Part No	Description
1	R81-08M	1/2" BSPP Female Push/Pull Quick Release Coupling



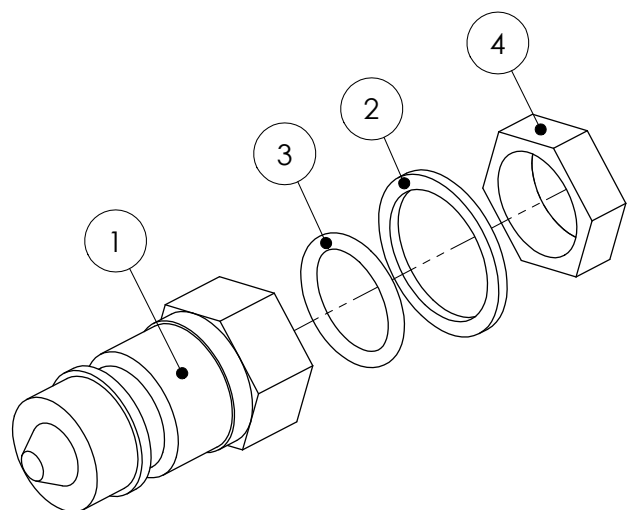
1/4" Hydraulic Lines

Item	Part No	Description
1	R81-08M	1/2" BSPP Female Push/Pull Quick Release Coupling
2	S27-0804	1/2" BSPT - 1/4" BSPT Straight Hydraulic Nipple



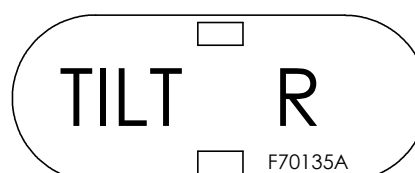
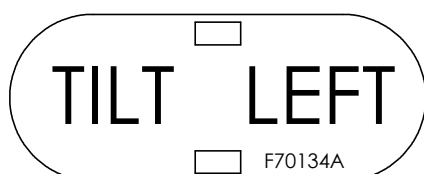
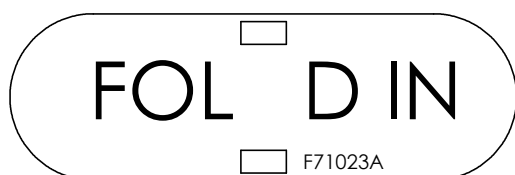
Hydraulic Pump Lines

Item	Part No	Description
1	R81-08M	1/2" BSPP Female Push/Pull Quick Release Coupling
2	36B-08	1/2" Retaining Washer
3	RO-BP08	1/2" Hydraulic O-Ring
4	35B-08	1/2" BSPP Lock Nut



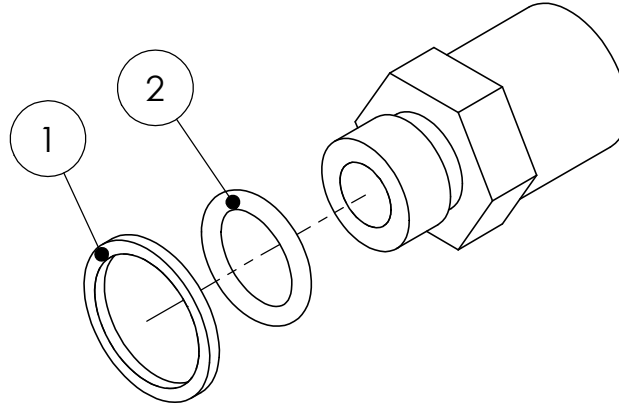
Note: Plastic Cover for when fittings are not in use is available Part No: GA5052365

HOSE ID TAGS



Part No	Description
F71023A	Fold In Tag
F71024A	Fold Out Tag
F71025A	Boom Raise Lower Tag
F70134A	Tilt Left Tag
F70135A	Tilt Right Tag

HYDRAULIC O-RINGS AND RETAINING WASHERS



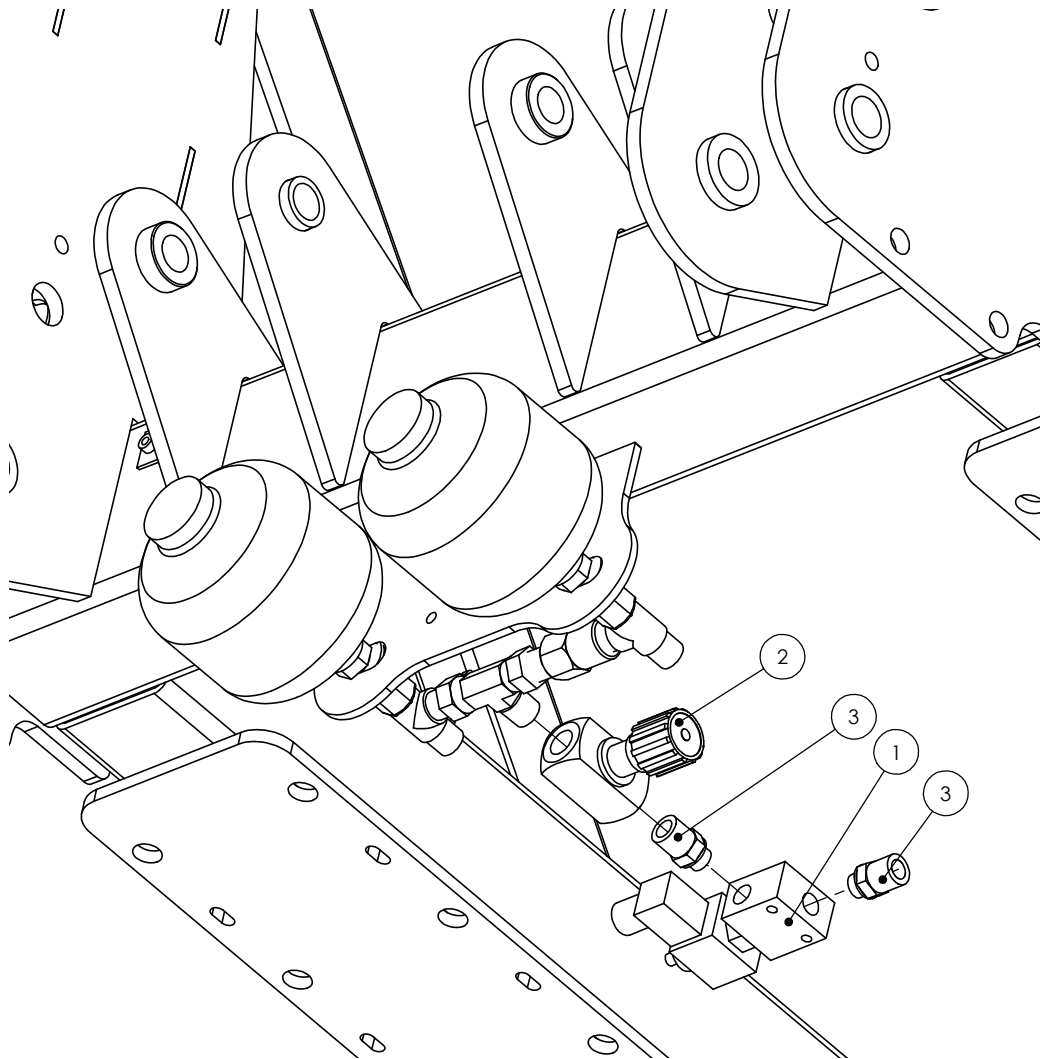
Item	Part No	Description
1	36B-04	1/4" Retaining Washer
	36B-06	3/8" Retaining Washer
	36B-08	1/2" Retaining Washer
	36B-12	3/4" Retaining Washer

Item	Part No	Description
2	RO-BP04	1/4" Hydraulic O-Ring
	RO-BP06	3/8" Hydraulic O-Ring
	RO-BP08	1/2" Hydraulic O-Ring
	RO-BP12	3/4" Hydraulic O-Ring

HYDRAULIC HOSES

Part No	Description
GA5067925	1/4" Hydraulic Hose, Tractor to fold cylinders
GA5067930	1/2" Hydraulic Hose, Tractor to Boom Lower Solenoid
GA5067940	1/2" Hydraulic Hose, Accumulator manifold to lift cylinders
GA5067945	1/4" Hydraulic Hose, Tractor to tilt cylinders

BOOM LOWER CONTROL SOLENOID



Item	Part No	Description	
1	GA5047344	Boom Lower Control Solenoid	1
2	GA5018221	Needle Valve	1
3	S75-0806	3/8" x 1/2" Hydraulic Nipple	2

HYDRAULIC CYLINDER SEAL KITS

Part No	Description
GA5052730	Tilt Cylinder Seal Kit
GA5052740	Lift Cylinder Seal Kit