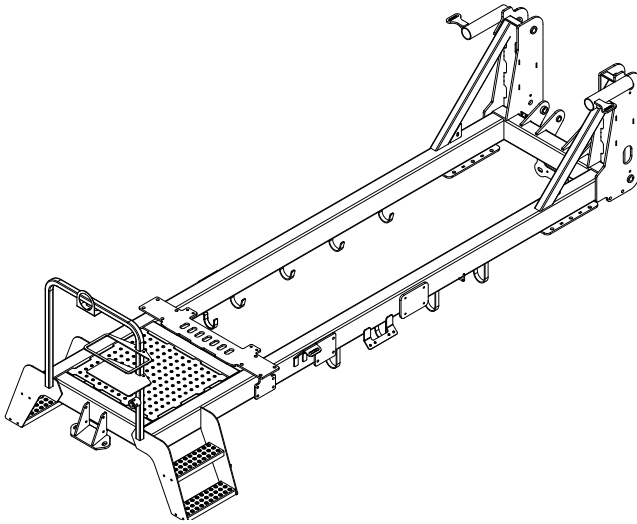


CHAPTER I

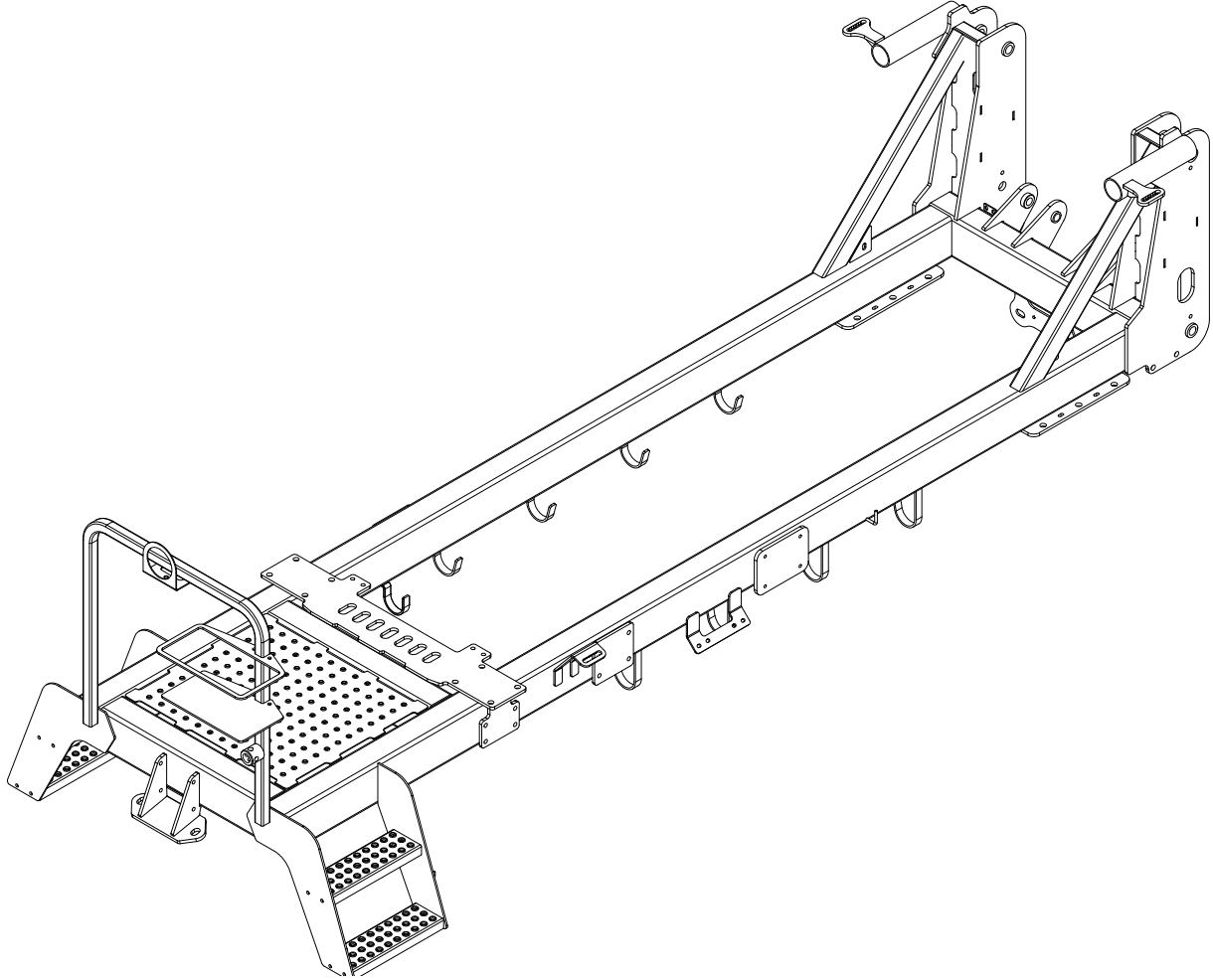
CHASSIS



Chassis	I-2
Pull.	I-3
Hose Support	I-4
Jack	I-5
Swivel Toweye	I-6
H-Frame	I-7
Boom Rests.....	I-8
Steps	I-9
Manual Holder	I-10
Towbar	I-11

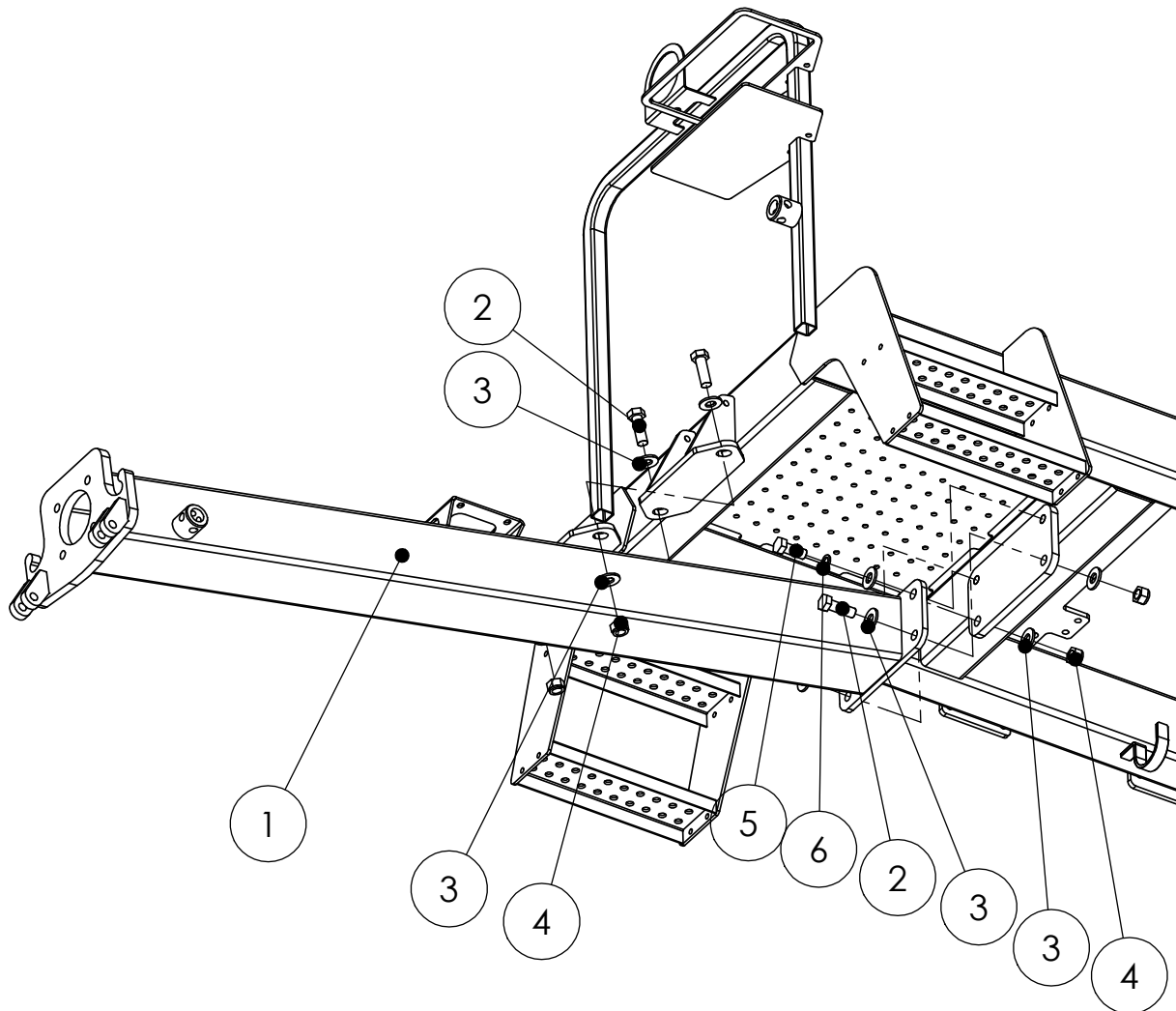
Rev 00 15/3/10

CHASSIS



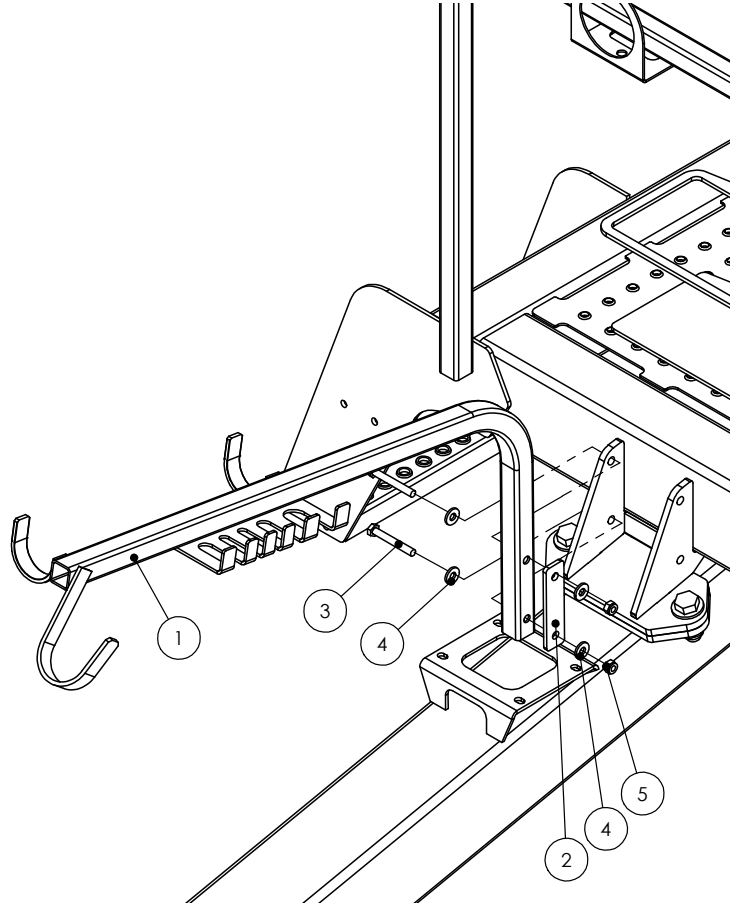
Part No	Description
GA4657800	3000L EF Chassis

PULL



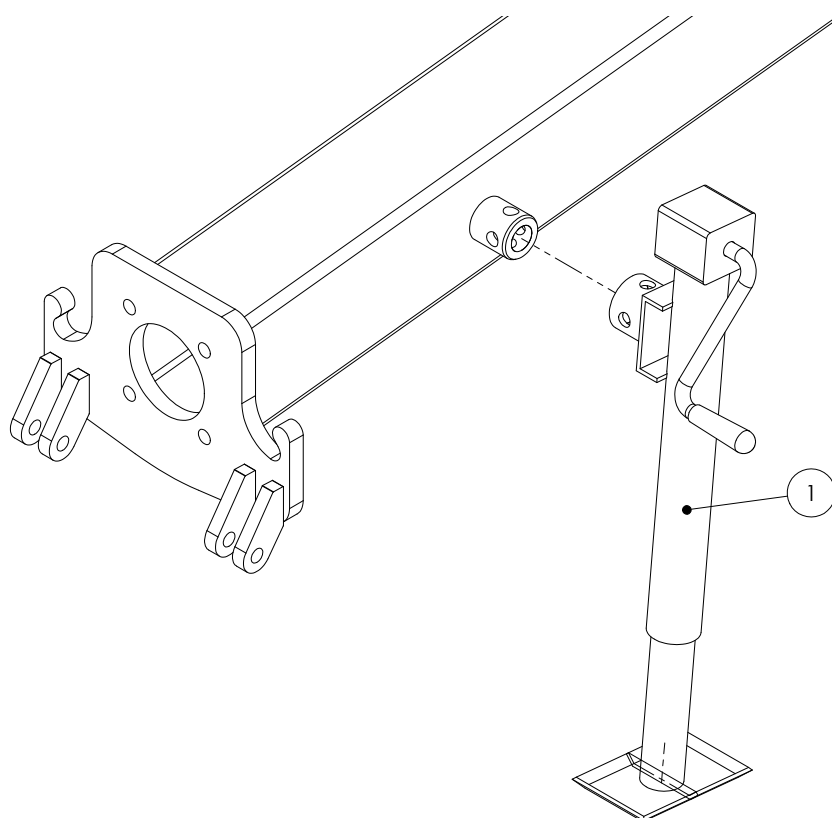
Item	Part No	Description	Quantity
1	GA4657805	Pull	1
2	GA5011333	M20 x 60mm Bolt	4
3	GA5001741	20mm Washer	10
4	GA5012467	M20 Nyloc Nut	4
5	GA5011315	M20 x 20mm Bolt	2
6	GA5001721	20mm Spring Washer	2

HOSE SUPPORT



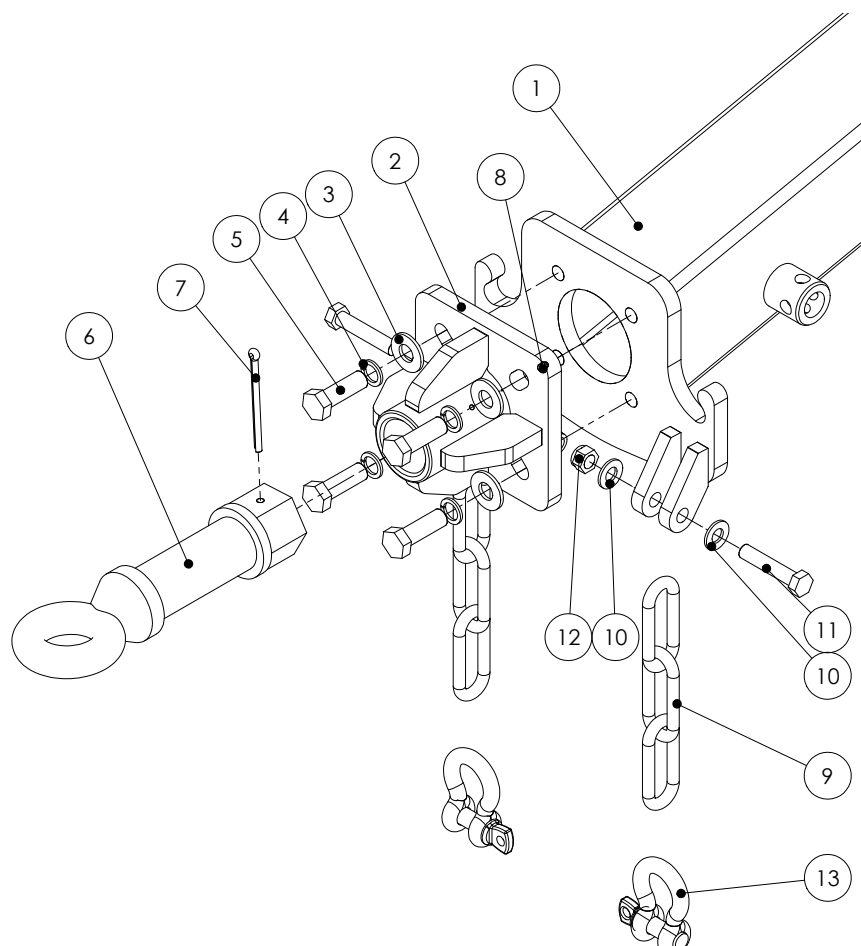
Item	Part No	Description	Quantity
1	GA4657666	Bolt on Hose Holder	1
2	GA4522926	Hose Holder Backing Plate	1
3	GA5006085	M10 x 75mm Bolt	2
4	GA5000141	M10 Nyloc Nut	2
5	GA5000117	10mm Washer	4

JACK



Item	Part No	Description	Quantity
1	GA5015213	Jack with chain & pin	1

SWIVEL TOWEYE

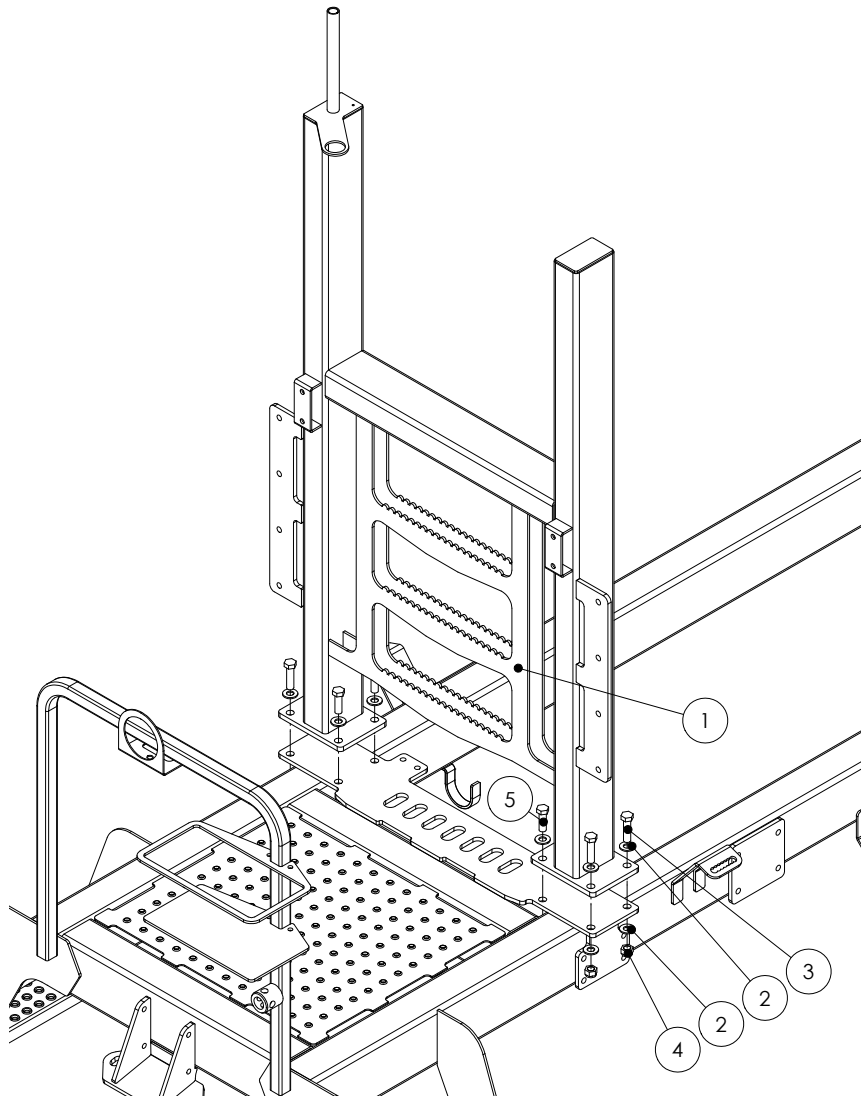


Item	Part No	Description	Quantity
1	GA4657805	Pull	1
2	GA4652485	Swivel Toweye Housing	1
3	GA5001741	20mm Washer	4
4	GA5001721	20mm Spring Washer	4
5	GA5011333	M20 x 60mm Bolt	4
6	GA5016243	Toweye with Nut & Washer	1
7	GA5051385	M8 x 125mm Split Pin	1

Item	Part No	Description	Quantity
8	GA5050450	6mm Grease Nipple	1
9	GA5065030	Safety Chain (11 Links)	2
10	GA5001043	16mm Washer	4
11	GA5011307	M16 x 80mm Bolt	2
12	GA5001029	M16 Nyloc Nut	2
13	GA5000667	Bow Shackle	2

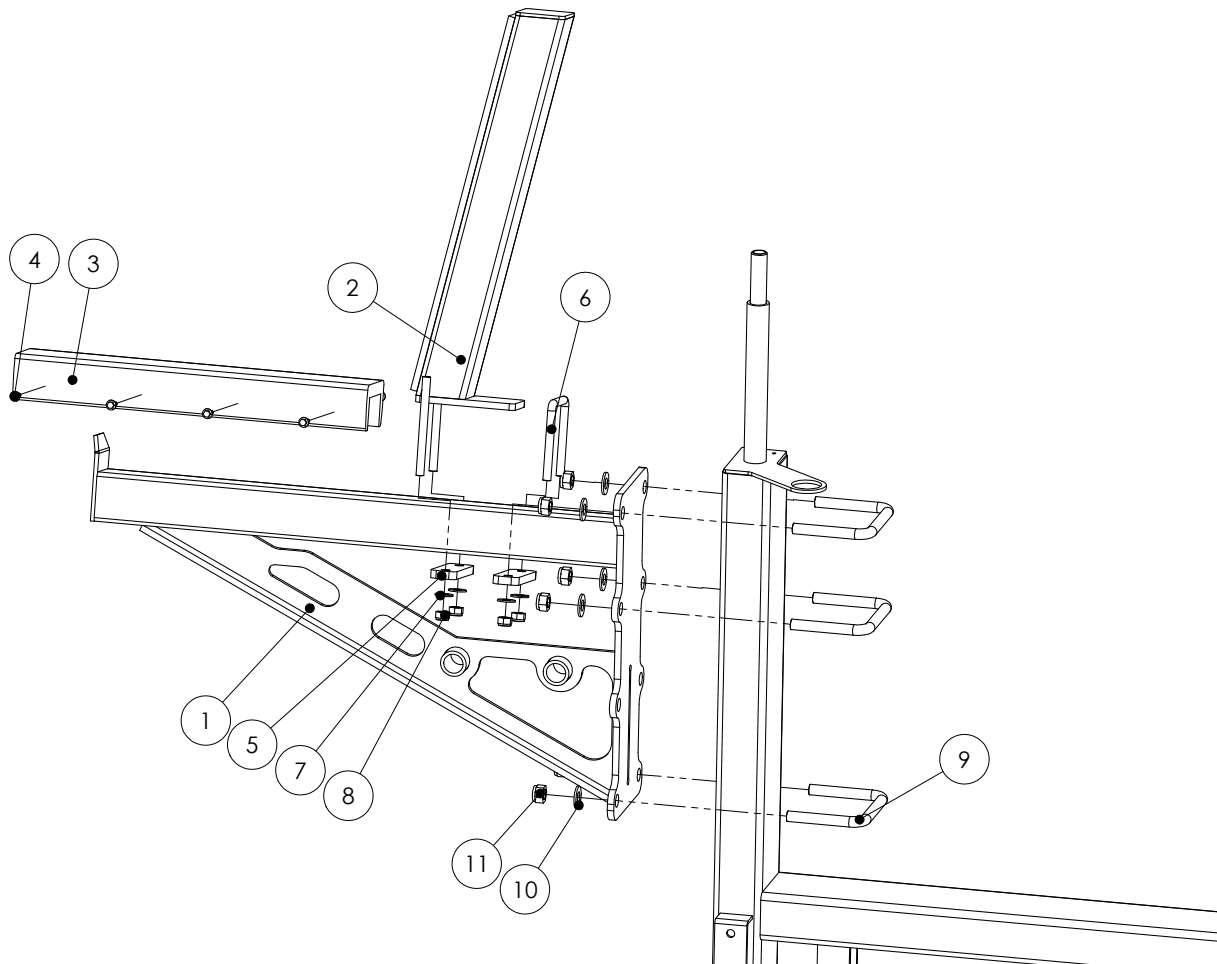
Note: Inserts available for Toweye: 1 1/4" Toweye Bush (Plastic) Part No: GA4582455
35mm Toweye Bush (Steel) Part No: GA5075075

H-FRAME



Item	Part No	Description	Quantity
1	GA4654180	H-Frame	1
2	GA5001043	16mm Washer	16
3	GA5000941	M16 x 60mm Bolt	4
4	GA5001029	M16 Nyloc Nut	8
5	GA5000931	M16 x 50mm Bolt	4

BOOM RESTS



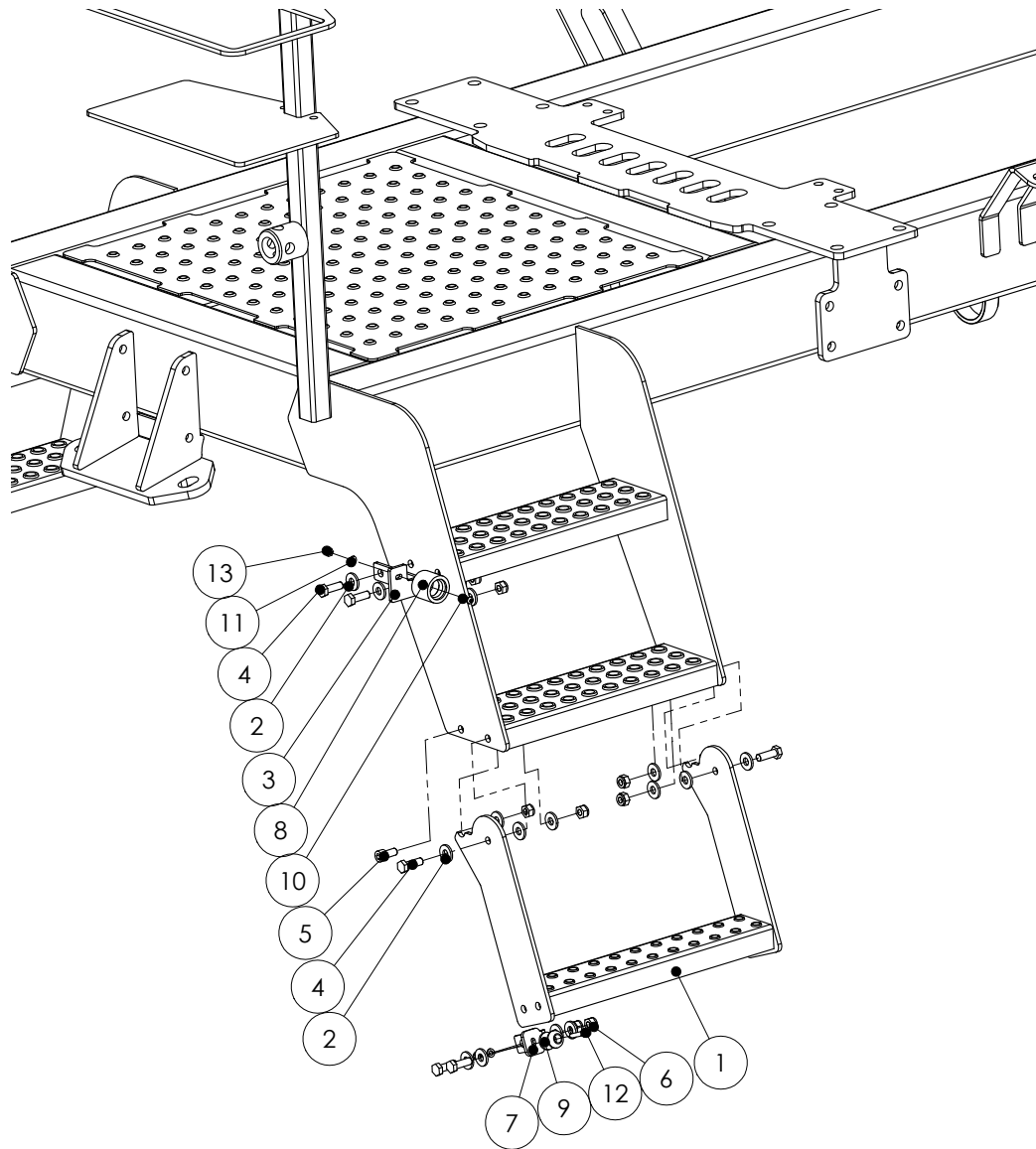
Item	Part No	Description	Quantity
1	GA4654200	Right Boom Rest	1
1	GA4654205	Left Boom Rest	1
2	GA4903051	Pre-Assembled Boom Rest	
		Upright	2
3	GA5014617	Boom Rest Rubber (350mm)	2
4	GA5000707	Tex Screw	16
5	F70107A	Upright Retainer Plate	4

Item	Part No	Description	Quantity
6	GA5011259	M12 x 76mm x 110mm U Bolt 2	
7	GA5000577	12mm Washer	8
8	GA5012461	M12 Nyloc Nut	8
9	GA5011277	M16x127mmx110mm U Bolt	6
10	GA5001043	16mm Washer	12
11	GA5001029	M16 Nyloc Nut	12

Note: Quantities are for both sides

* Plastic strip available seperately Part No: GA5066630

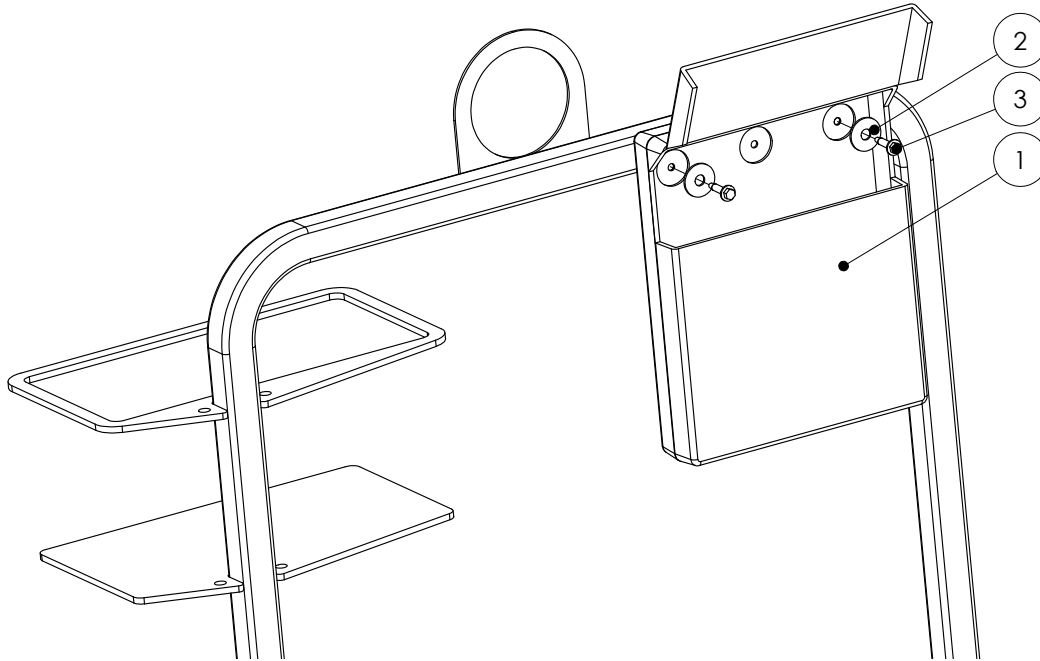
STEPS



Item	Part No	Description	Quantity
1	GA4657810	Single Lower Step	2
2	GA5000139	10mm Washer	32
3	F70654A	Left Step Upper Catch Plate	1
3	F70684A	Right Step Upper Catch Plate	1
4	GA5065455	M10 x 30mm Bolt	4
5	GA5011153	M10 x 20mm Cap Screw	4
6	GA5000141	M10 Nyloc Nut	8
7	GA4522617	Lower Catch Plate	2

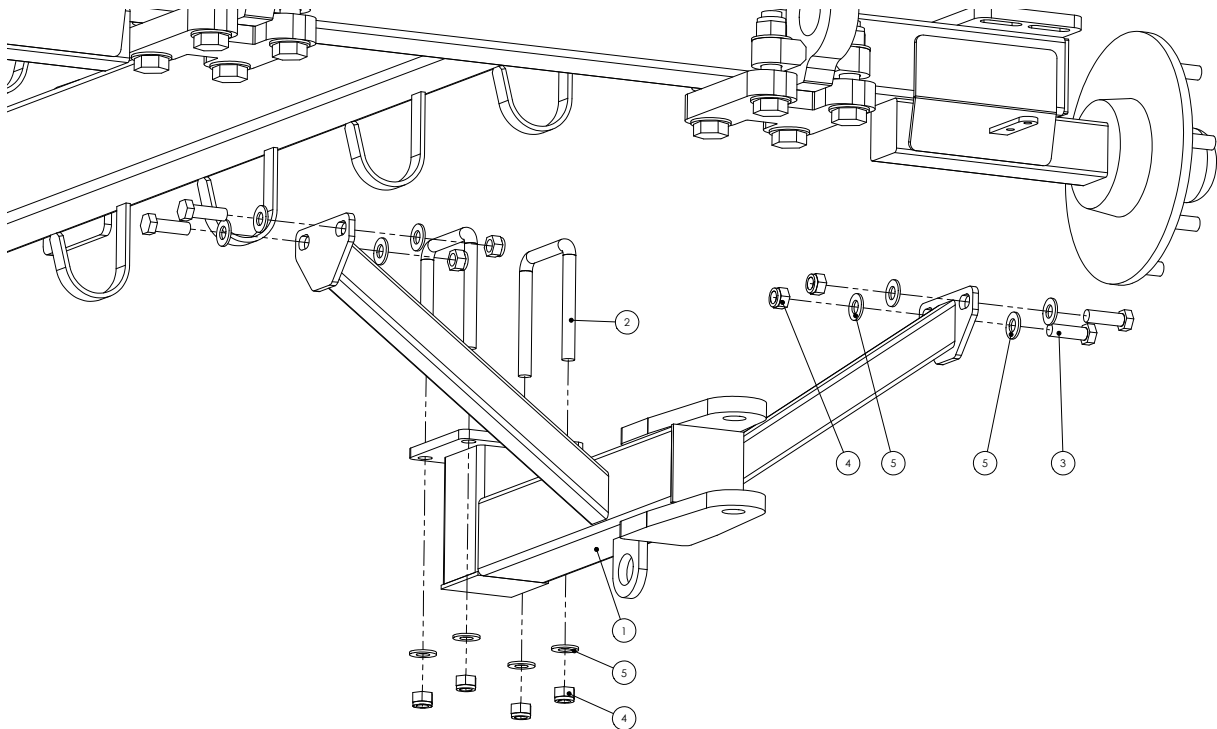
Item	Part No	Description	Quantity
8	GA5008629	Female Step Catch	2
9	GA5011607	Male Step Catch	2
10	GA5004053	M6 x 20mm Button Head Cap Screw	2
11	GA5004349	6mm Washer	4
12	GA5004079	M6 x 30mm Bolt	2
13	GA5048115	M6 Nyloc Nut	4

MANUAL HOLDER



Item	Part No	Description	Quantity
1	GA5049630	Plastic Manual Holder	1
2	GA5003645	Washer	2
3	GA5000707	Tek Screw	2

TOWBAR



Item	Part No	Description	Quantity
1	GA4657860	Towbar	1
2	GA5011271	M16x102mmx185mm U Bolt	2
3	GA5000931	M16 x 50mm Bolt	4
4	GA5001029	M16 Nyloc Nut	8
5	GA5001043	16mm Washer	12

