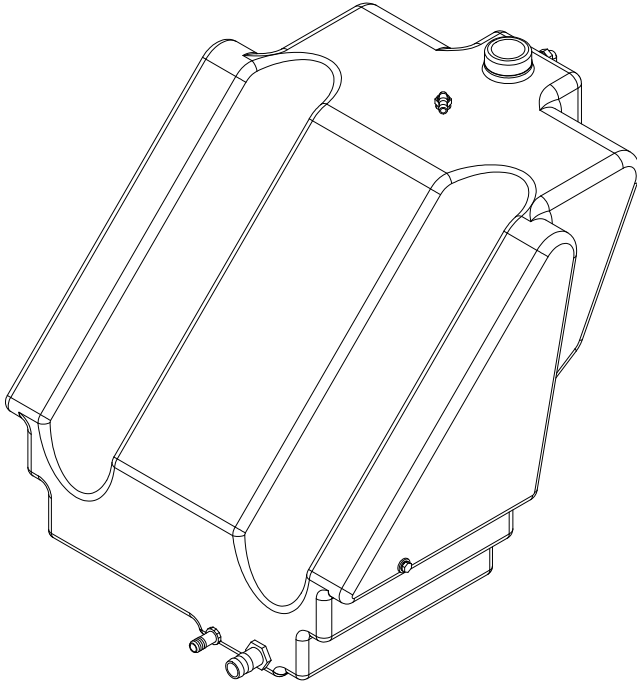


CHAPTER 3

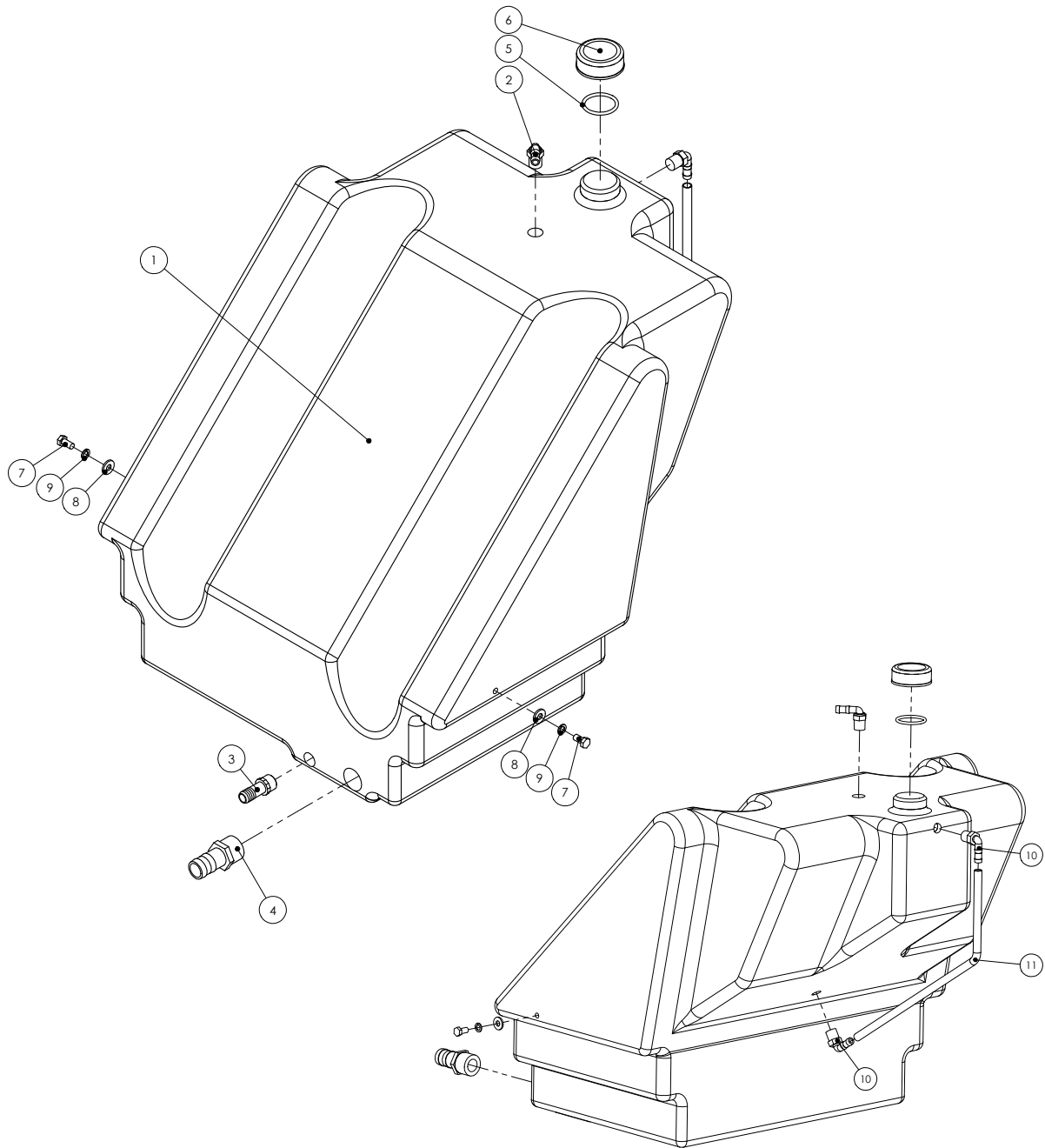
FLUSH TANK



Flush Tank 3-2
Inline Check Valve 3-3

Rev 00 15/3/10

FLUSH TANK

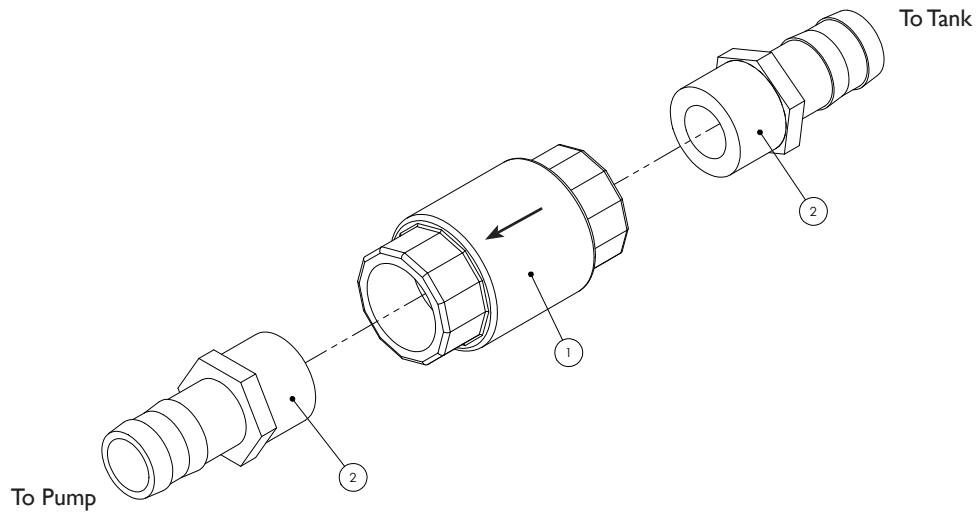


Assembly Part No: GA4903845

Item	Part No	Description	Quantity
1	GA5061120	180L Flush Water Tank	1
2	HB075-90	3/4" Poly Elbow	1
3	HB075	3/4" Poly Hose Barb	1
4	HB125	1/4" Poly Hose Barb	1
5	GA5009187	O-Ring to suit Cap (50x5mm)	1
6	GA5009157	Tank Lid/Cap	1

Item	Part No	Description	Quantity
7	GA5006113	M10 x 20mm Bolt	2
8	GA5000117	10mm Washer	2
9	GA5000137	10mm Spring Washer	2
10	HB050	1/2" Poly Elbow	2
11	HOS12sight	1/2" Clear Sight Tube	0.6m

INLINE CHECK VALVE



Item	Part No	Description	Quantity
1	HB125	1 1/4" Poly Hose Barb	2
2	GA5017361	1 1/4" Check Valve	1

FLUSH TANK