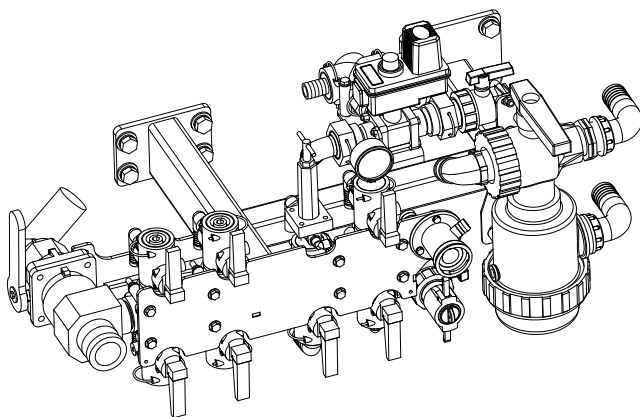


CHAPTER 5

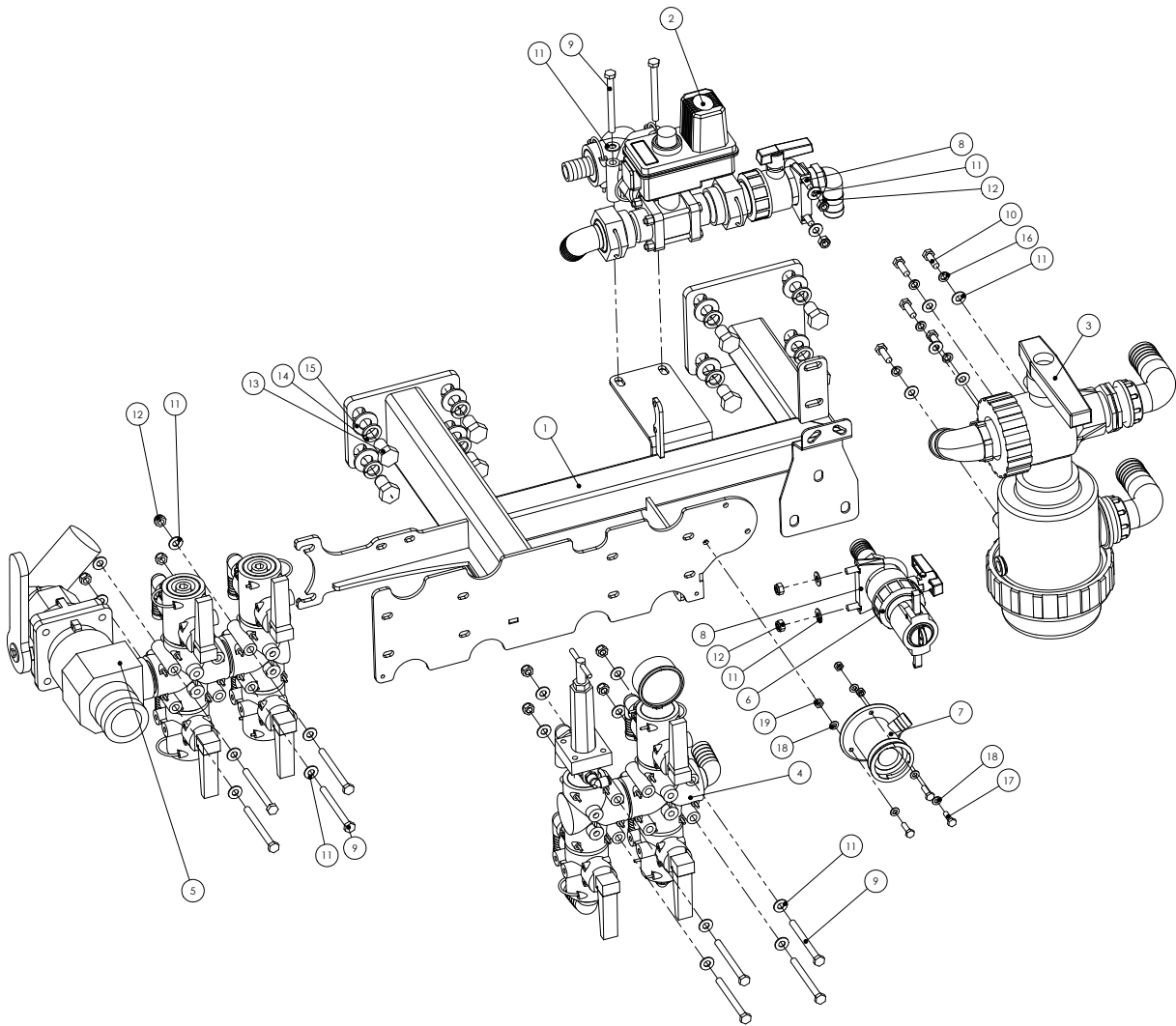
LIQUID CONTROLS



Left Pod	5-2
Pressure Manifold	5-3
Flow Control Valve	5-4
Fill Manifold	5-5
Chem Probe	5-6

Rev 00 15/3/10

LEFT POD



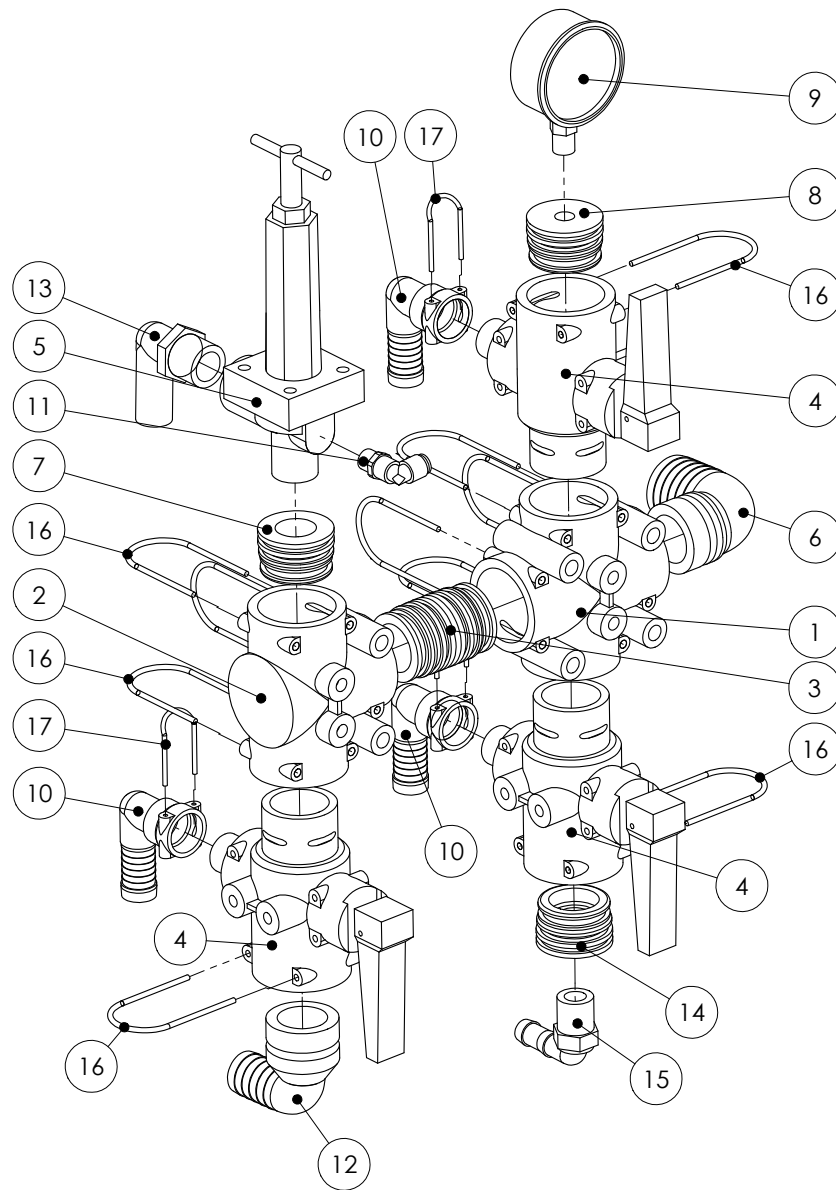
Assembly Part No: GA4903805

Item	Part No	Description	Quantity
1	GA4657690	Left Control Station Frame	1
2	GA4903820	Flow Control Valve Assembly	1
3	GA4903825	Suction Filter Assembly*	1
4	GA4903815	Pressure Manifold	1
5	GA4903137	Fill Manifold	1
6	GA4903082	Chem Probe Assembly	1
7	GA5018800	Enviro Rinse Coupling	1
8	GA5006705	2" Exhaust Clamp	1
9	GA5011495	M8 x 90mm Bolt	12
10	GA5004711	M8 x 25mm Bolt	5

Item	Part No	Description	Quantity
11	GA5004913	8mm Washer	33
12	GA5004917	M8 Nyloc Nut	16
13	GA5000903	M16 x 25mm Bolt	8
14	GA5001043	16mm Washer	8
15	GA5001051	16mm Spring Washer	8
16	GA5004919	8mm Spring Washer	5
17	GA5004053	M6 x 20mm Bolt	3
18	GA5004437	6mm Washer	6
19	GA5048115	M6 Nyloc Nut	3

* Assembly breakdown shown in Chapter 19: Filtration & Hose

PRESSURE MANIFOLD



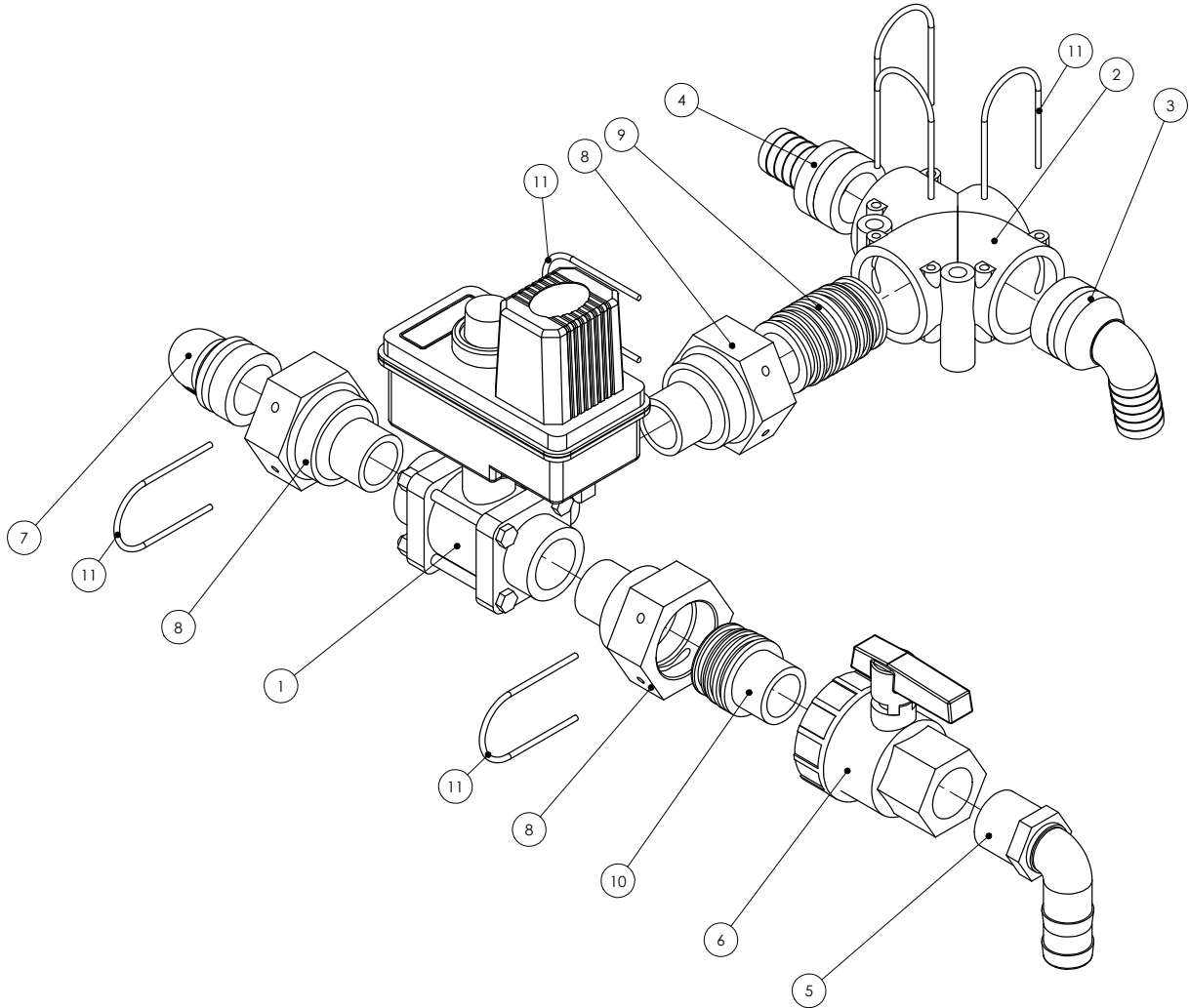
Assembly Part No: GA4903815

Item	Part No	Description	Quantity
1	GA5065565	Cross Piece, 4 x AS40	1
2	GA5065555	Tee Piece, 3 x AS40	1
3	GA5065735	Coupling, AS40 to AS40	1
4	GA5065545	Flip Valve, with Red Handle	3
5	8460-3/4-300	Pressure Relief Valve	1
6	GA5065620	Push in Elbow, AS40 x 33mm	1
7	GA4583060	AS40 Plug with 3/4" BSPT	1
8	GA4582160	AS40 Plug with 1/4" Thread	1
9	GA4948470	160 PSI Pressure Gauge	1

Item	Part No	Description	Quantity
10	GA5065675	Push on Elbow, AS24 to 20mm	2
11	GA5016233	1/4" Hydrostatic Elbow	1
12	GA5065615	Push in Elbow, AS40 x 25mm	1
13	HB075/100-90	3/4" x 1" Poly Elbow	1
14	GA4582345	AS40 Plug with 1/2" Thread	1
15	HB050-90	1/2" Poly Elbow	1
16	GA5065690	AS40 Safety Pin	10
17	GA5065695	AS24 Safety Pin	3

For O-Rings refer to the Atek/Goldacres Parts catalogue

FLOW CONTROL VALVE



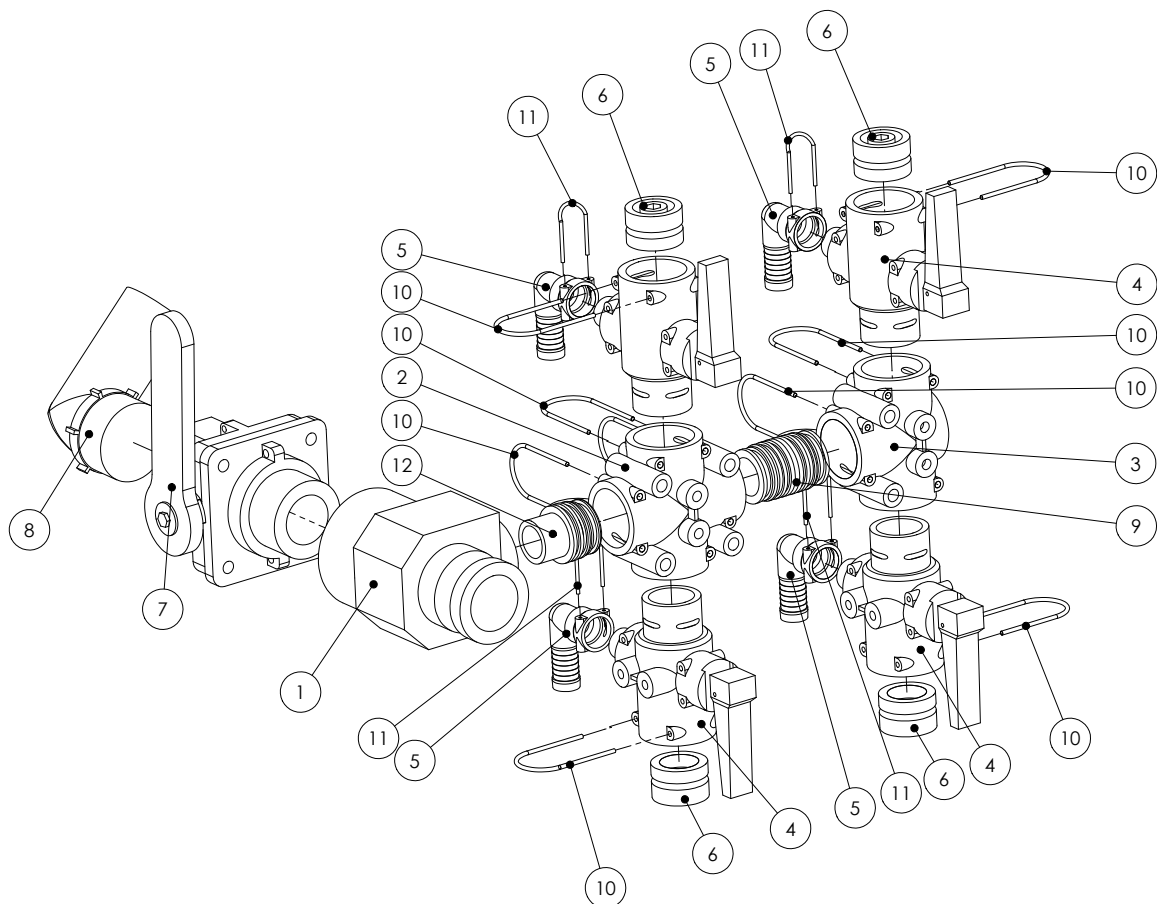
Assembly Part No: GA4903830

Item	Part No	Description	Quantity
1	344BR-34-03CEC	3 Way Regulating Valve	1
2	GA5065555	AS40 Tee Piece	1
3	GA5065615	1" Plug in Elbow	1
4	GA5065580	1" Plug in Hose Tail	1
5	HB100-90	1" Poly Elbow	1
6	UV100FP	1" Ball Valve	1

Item	Part No	Description	Quantity
7	GA5065620	1 1/4" Plug in Elbow	1
8	GA4582385	AS40 to 1" NPT Adapter	3
9	GA5065735	AS40 to AS40 Adapter	1
10	GA5065600	AS40 to 1" Adapter	1
11	GA5065690	AS40 Safety Pin	6

For O-Rings refer to the Altek/Goldacres Parts catalogue

FILL MANIFOLD

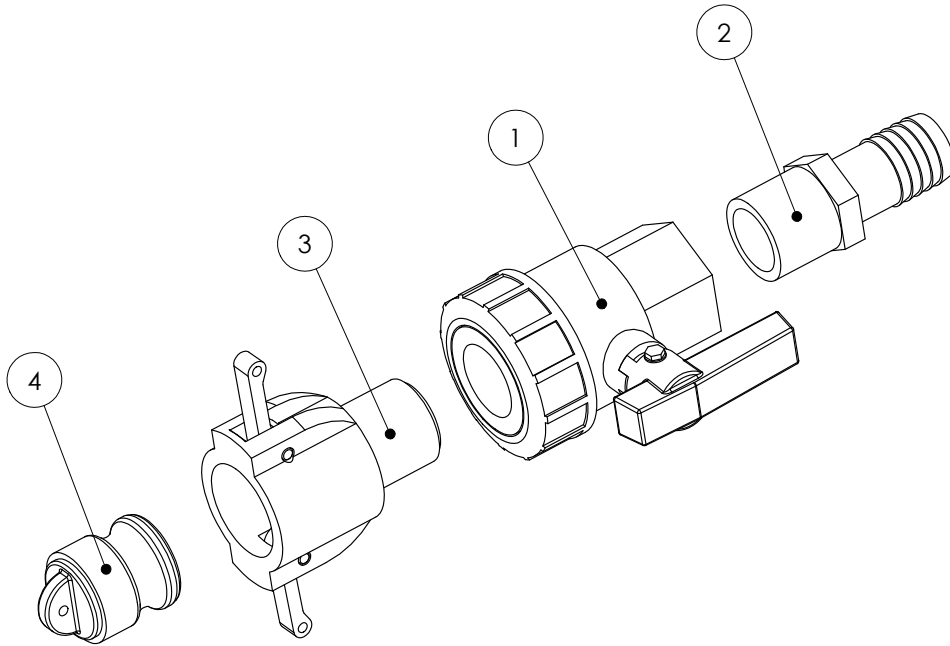


Assembly Part No: GA4903137

Item	Part No	Description	Quantity	Item	Part No	Description	Quantity
1	GA4582295	2" Cam Lock Tee Fitting	1	7	VSMT204FP	2" Ball Valve	1
2	GA5065565	Cross Piece, 4 x AS40	1	8	HB200-90	2" Poly Elbow	1
3	GA5065560	Tee Piece, 3 x AS40	1	9	GA5065735	Poly Coupling, AS40 to AS40	1
4	GA5065545	Flip Valve, with Red Handle	4	10	GA5065690	AS40 Safety Pin	11
5	GA5065675	Push on Elbow, AS24 x 20mm	4	11	GA5065695	AS24 Safety Pin	4
6	GA5065680	Blank Plug, AS40	4	12	GA5065600	Coupling, AS40 to 1" Thread	1

For O-Rings refer to the Altek/Goldacres Parts catalogue

CHEM PROBE



Assembly Part No: GA4903082

Item	Part No	Description	Quantity
1	UV100FP	1" Ball Valve	1
2	HB100	1" Hose Barb	1
3	100B	Female Camlock with 1" Thread	1
4	100PL	Camlock Plug	1