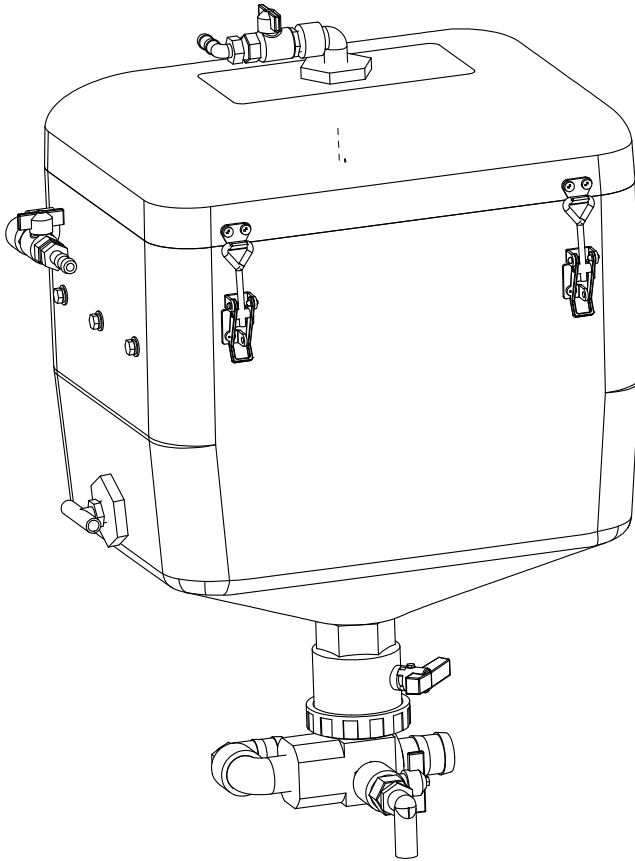


CHAPTER 8

INDUCTION HOPPER

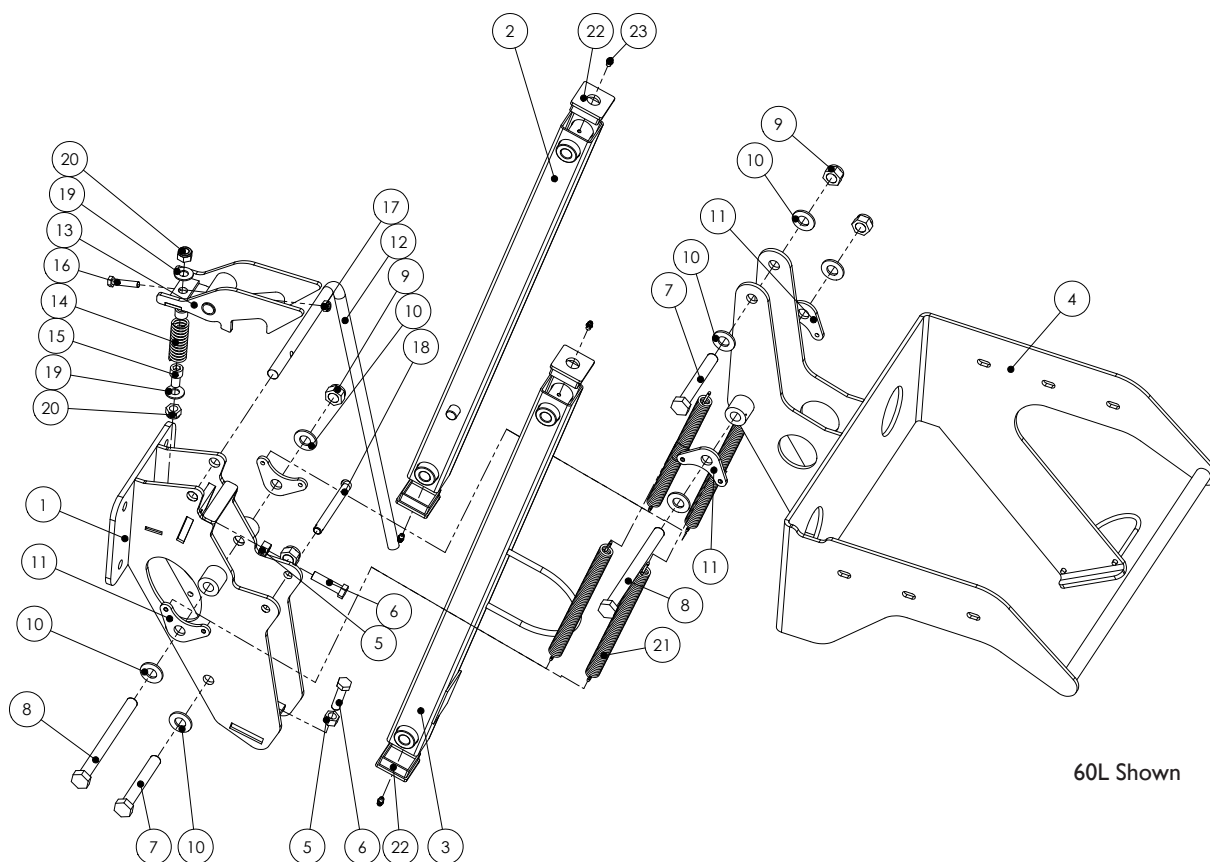


Hopper Frame	8-2
40L Hopper Tank.....	8-3
60L Hopper Tank.....	8-4
Hopper Venturi	8-5

Complete Aftermarket Hopper Kits are available: 40L GA4900381-40
60L GA4900381-65-EF

Rev 00 15/3/10

HOPPER FRAME COMPONENTS

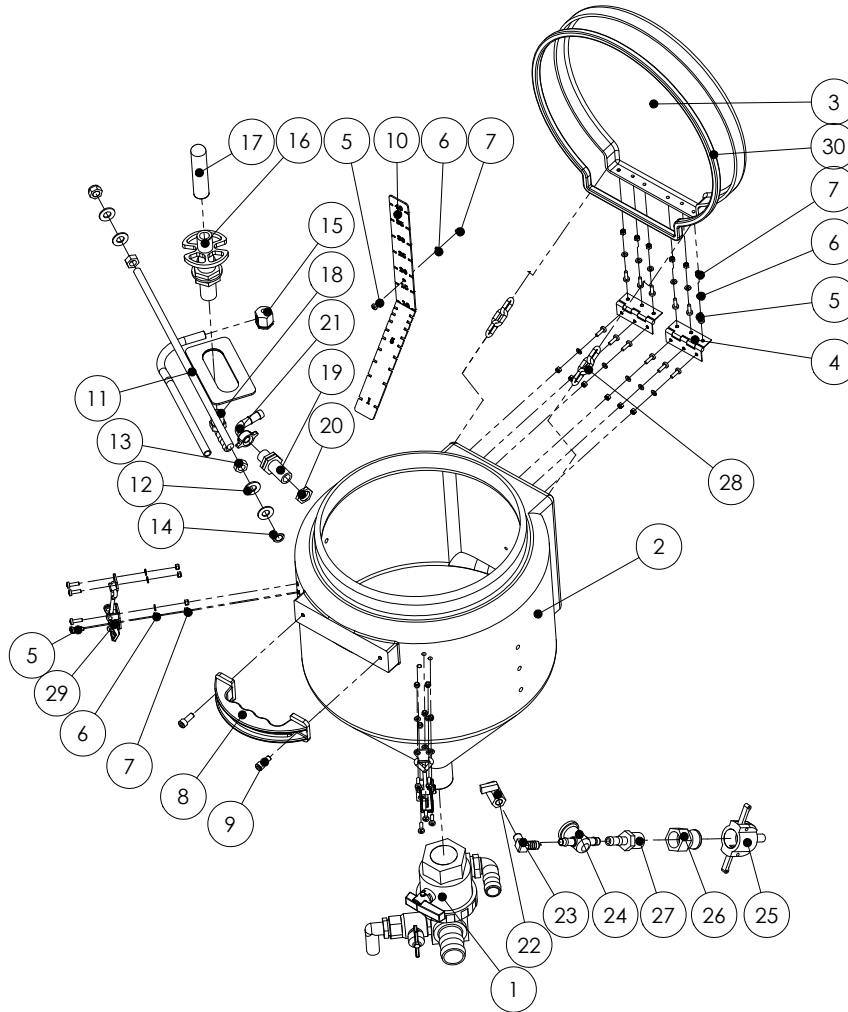


60L Shown

Item	Part No	Description	Quantity	Item	Part No	Description	Quantity
1	GA4653420	Hopper Chassis Mount	1	12	GA5010811	Catch Handle	1
2	GA4653440	Hopper Top Arm	1	13	GA4653490	Hopper Catch	1
3	GA4653445	Hopper Bottom Arm	1	14	GA5007329	Catch Spring	1
4	GA4653470	40L Hopper Tank Frame*	1	15	GA5050330	M12 x 20mm Cap Screw	2
4	GA4656855	60L Hopper Tank Frame*	1	16	GA5004723	M8 x 40mm Bolt	1
5	GA5000581	M12 Nut	2	17	GA5004917	M8 Nyloc Nut	1
6	GA5000327	M12 x 45mm Bolt	2	18	SP-IH-009MACH	Latch Pin	1
7	GA5011275	M16 x 120mm Bolt	2	19	GA5000577	12mm Washer	2
8	GA5000879	M16 x 180mm Bolt	2	20	GA5012461	M12 Nyloc Nut	2
9	GA5001029	M16 Nyloc Nut	4	21	GA5007073	Hopper Spring	4
10	GA5001043	16mm Washer	8	22	GA5003783	50mm Tube Insert	4
11	GA4522294	Spring Mounting Plate	4	23	GA5012203	1/4" Grease Nipple	4

* Please select required tank frame

40L HOPPER TANK COMPONENTS

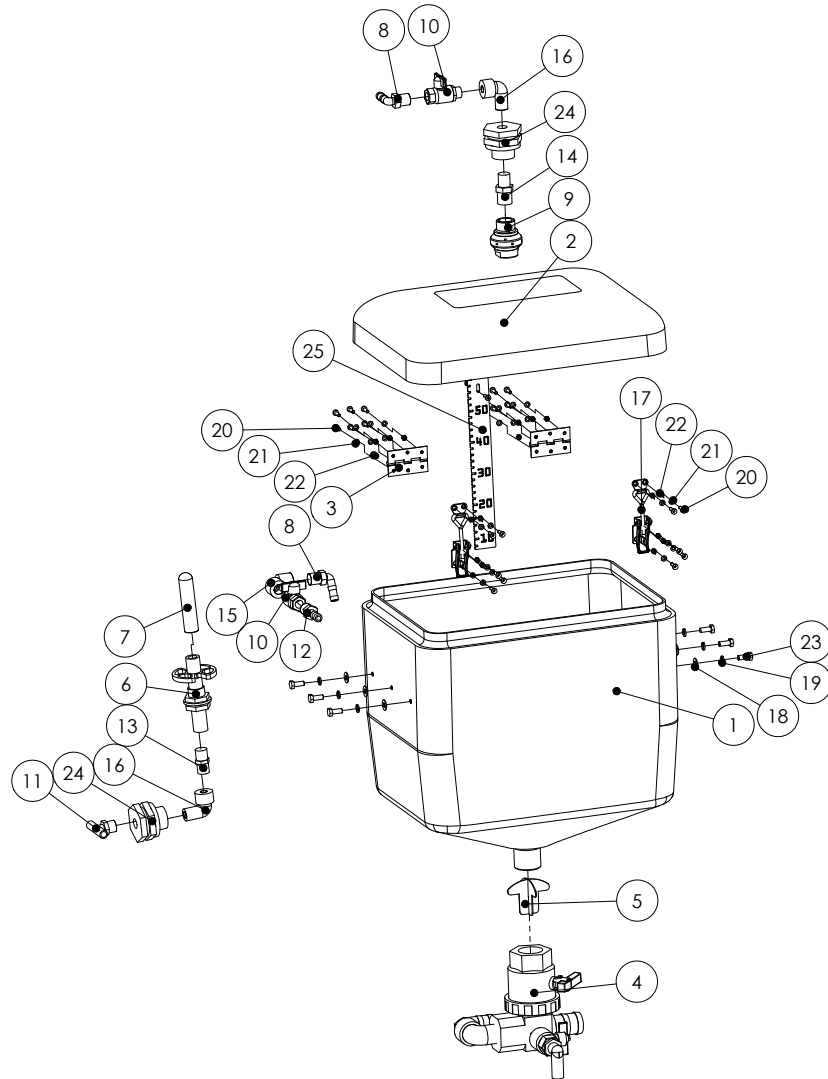


Assembly Part No GA4903111

Item	Part No	Description	Quantity
1	GA4903105	Induction Hopper Venturi*	1
2	GA4901044	Induction Hopper Tank (40L)	1
3	GA5003333	Induction Hopper Tank Lid	1
4	GA5006661	Butt Hinge	1
5	GA5003977	M5 x 16mm Pan Head Bolt	27
6	GA5003983	5mm Washer	27
7	GA5003975	M5 Nyloc Nut	27
8	GA5009841	Hopper Handle	1
9	GA5004707	M8 x 20mm Cap Screw	2
10	F70275A	Level Indicator Insert	1
11	GA4653590	Spray Manifold	1
12	GA5000577	12mm Washer	4
13	GA5000581	M12 S/S Nut	2
14	GA5012461	M12 Nyloc Nut	2
15	L071A	Tank Rinsing Nozzle	1

Item	Part No	Description	Quantity
16	510100	Push Down Valve	1
17	510110	1/2" Rinse Nozzle Head	1
18	HB050-90	1/2" Poly Elbow	1
19	2502021	1/2" Long Nipple	1
20	GA5070110	1/2" Brass Lock Nut	1
21	GA5012375	Brass Elbow and Nut	1
22	GA5018321	8mm Ball Valve	1
23	GA5048390	1/2" x 1/4" Brass Elbow	1
24	GA5070150	13mm x 1/2" Tee	1
25	50C	1/2" Female Coupler	1
26	75A	3/4" Male Coupler	1
27	HB075-050	3/4" x 1/2" Hose Barb	1
28	GA5003983	Chain	10 Links
29	GA5007071	Hopper Latch	2
30	GA5012981	Hopper Seal	1.24m

60L HOPPER TANK COMPONENTS



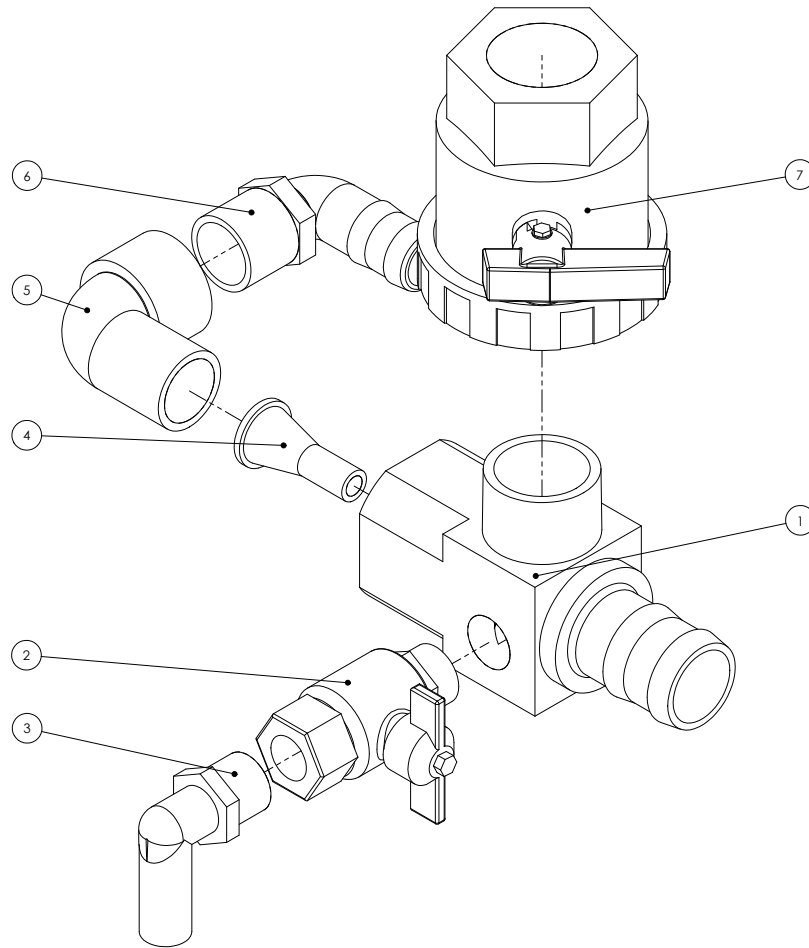
Assembly Part No: GA4903113

Item	Part No	Description	Quantity
1	GA5070040	Hopper Tank, 60L & Lid	1
2	GA5070045	Hopper Lid	1
3	GA5006661	Hinge	2
4	GA4903114	Hopper Bottom	1
5	GA4657115	Anti-Aeration Device	1
6	510100	Push Down Valve	1
7	510110	Drum Rinse Nozzle	1
8	HB-050-90	1/2" Barbed Elbow	2
9	B55270-3/4-18	Tank Rinse Nozzle	1
10	GA5020615	1/2" Ball Valve	2
11	T12T	1/2" Poly Tee	1
12	HB050	1/2" Hose Barb	1
13	NIP-050-SH	1/2" Poly Nipple	1

Item	Part no	Description	Quantity
14	RN-075-050	3/4" x 1/2" Reducing Nipple	1
15	EL-050-90	1/2" Female to Female Elbow	1
16	SL-050-90	1/2" Female to Male Elbow	2
17	GA5007071	Hopper Catch	2
18	GA5003651	8mm Washer	6
19	GA5004921	8mm Spring Washer	6
20	GA5003976	M5 x 20mm Pan Head Screw	23
21	GA5003983	5mm Washer	23
22	GA5003983	M5 Nyloc Nut	23
23	GA5011465	M8 x 20mm Bolt	6
24	TF050	1/2" Poly Bulkhead	2
25	GA4522296	Level Height Indicator	1
26	GA5016473	Foam Sealing Tape*	1.8m

* Not Shown in diagram

HOPPER VENTURI



Assembly Part No GA4903105

Item	Part No	Description	Quantity
1	L056A	Hopper Bottom Tee	1
2	GA5018315	20mm Ball Valve	1
3	HB075-90	3/4" Barbed Elbow	1
4	L057A	Hopper Venturi 9mm*	1
	GA4572150	Hopper Venturi 7mm*	1
5	SL100-90	1" Elbow	1
6	HB100-90	1" Barbed Elbow	1
7	UV150FP	1 1/2" Ball Valve	1

* 9mm Hopper Venturi is fitted as standard, but a 7mm Venturi is available for low volume pumps

INDUCTION
HOPPER