

# CHAPTER 10

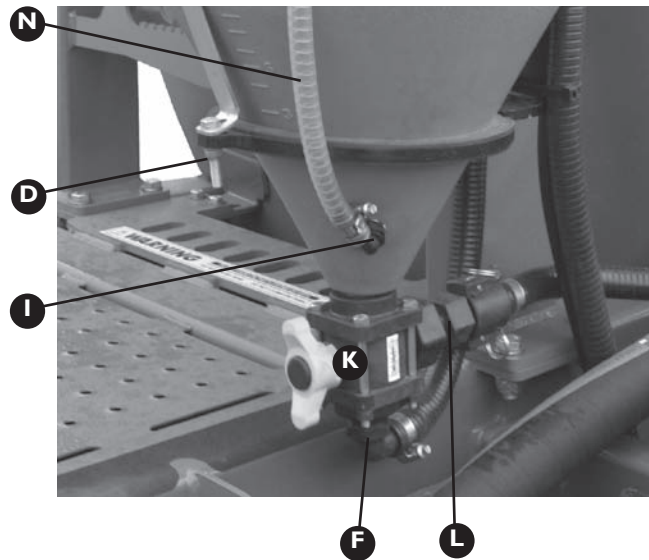
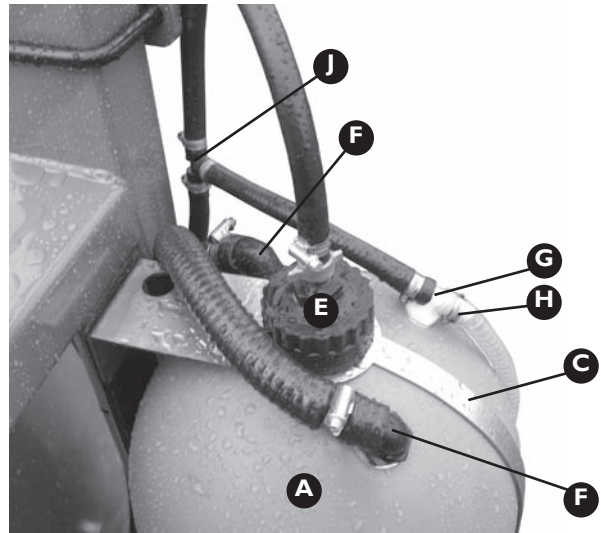
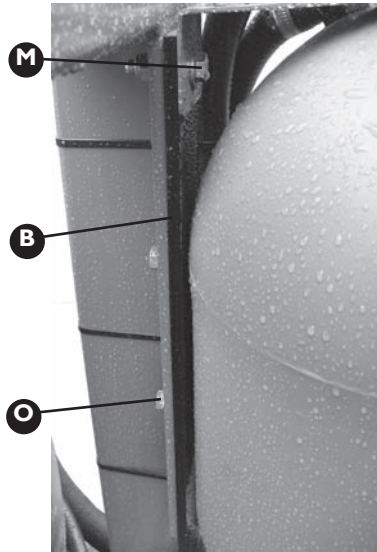
## TRANSCAL



Transcal Tank.....	10-2
Enviro Rinse Coupling.....	10-3
Transcal Cap Assembly.....	10-3

Rev 00 15/4/10

# TRANSCAL TANK



**Assembly Part No GA4903108**

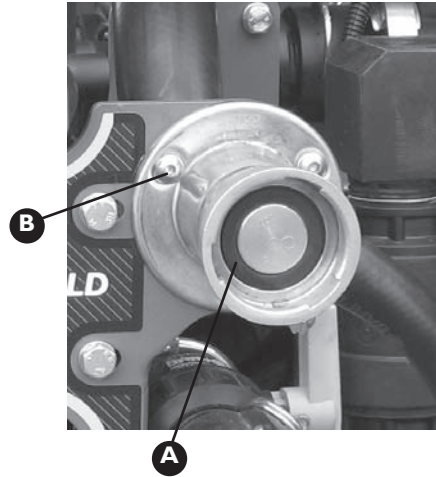
Item	Part No	Description	Quantity
A	GA4901047	45L Transcal Tank	1
B	F70608A	Transcal Mounting Bracket	1
C	F70623A	Bottle Strap 3mm	1
D-1	GA5004737	M8 x 70mm Bolt	1
D-2	GA5004917	M8 Nyloc Nut	1
D-3	GA5004883	8mm Washer	2
E	GA4903050	Pre-Assembly Transcal Cap	1
F	HB100-90	1" Poly Elbow	3
G	T12T	1/2" Tee with Thread	1
H	GA5020695	1/8" Brass Nipple*	1
I	HB050-90	1/2" Poly Elbow	1

Item	Part No	Description	Quantity
J	T12	1/2" Tee	1
K	V100BL	1" 3 Way Ball Valve	1
L	I00F	1" Male Adapter, Male Thread	1
M-1	GA5000305	M12 x 50mm Bolt	1
M-2	GA5012461	M12 Nyloc Nut	1
M-3	GA5000577	12mm Washer	2
N	HOS12WSIGHT	1/2" Sight Tube	720mm
O-1	GA5006113	M10 x 20mm Bolt	2
O-2	GA5000117	10mm Washer	2
O-3	GA5000137	10mm Spring Washer	2

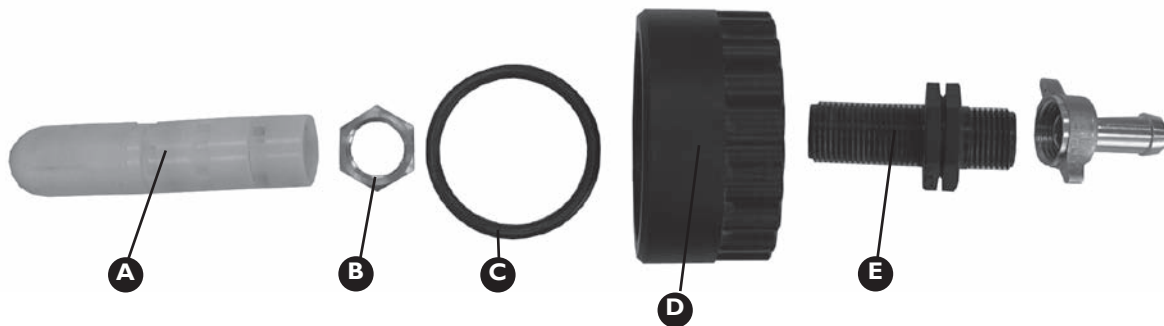
\* Note: Barb removed from item to act as restricter

## TRANSCAL ENVIRO RINSE COUPLING

Item	Part No	Description	Quantity
A	GA5018800	Coupling	1
B-1	GA5004063	M6 x 20mm Bolt	3
B-2	GA5048115	M6 Nyloc Nut	3
B-3	GA5004437	6mm Washer	6



## TRANSCAL CAP ASSEMBLY



**Assembly Part No GA4903050**

Item	Part No	Description	Quantity
A	510110	Rinsing Nozzle	1
B	GA5070110	1/2" Brass Lock Nut	1
C	GA5009187	O-ring	1
D	L055A	Transcal Cap	1
E	2502021	1/2" Nipple	1
F	GA5012375	1/2" Brass Tail with Nut	1

