

CHAPTER II

MAIN TANK AND MOUNTING HARDWARE



Tank.....	11-2
Sump Drain.....	11-3
Tank Bracing Bar.....	11-3
Sump Drain Hose.....	11-4
Sump Drain Hose Valve.....	11-4
Supermix Agitator.....	11-5
Tank Top Fittings.....	11-6
Tank Flush Nozzle (Elbow).....	11-7
Tank Flush Nozzle (Tee).....	11-7
Tank Fill.....	11-8
Hopper Inlet.....	11-8
Venturi.....	11-9
Safety and Pressure Relief Valve Return Lines.....	11-9
Tank Straps.....	11-10
Tank Stops.....	11-10
Wet Sight Tube.....	11-11

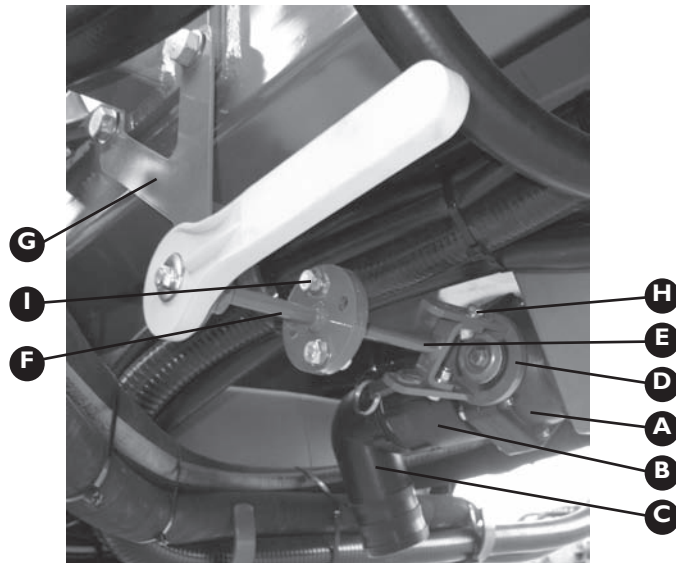
Rev 00 12/4/10

TANK



Part No	Description
GA5070200	4000L Tank
GA5070030	5000L Tank

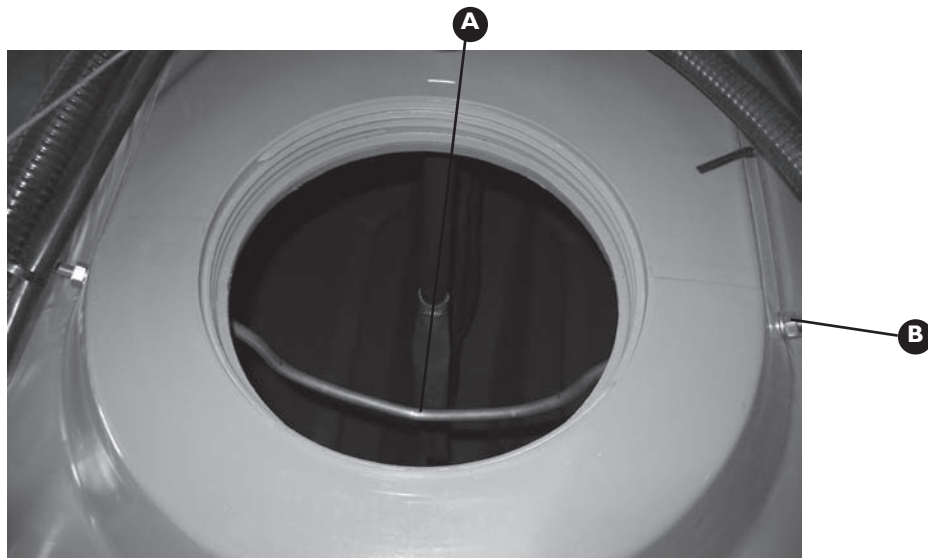
SUMP DRAIN



Item	Part No	Description	Quantity
A	VSFMT300	3" Valve (NPT)	1
B	300D	3" Threaded Connector	1
C	HB300-90	90 degree 3" Elbow	1
D	GA4653656	Valve Coupling	1
E	GA4653657	Inner Drive Shaft	1
F	GA4653663	Outer Drive Shaft	1
G	GA4523050	Handle Locating Plate	1

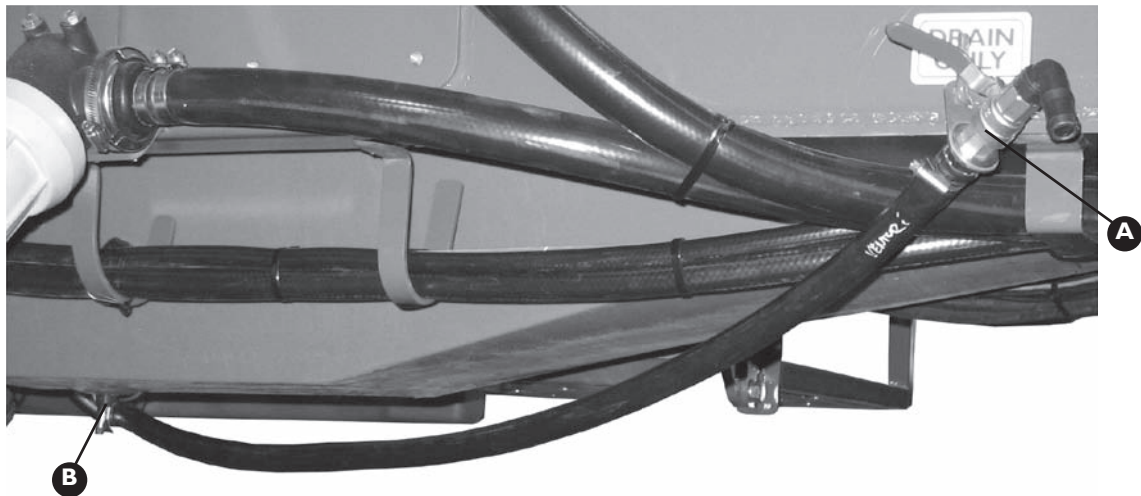
Item	Part No	Description	Quantity
H-1	GA5004711	M8 x 25mm Bolt	2
H-2	GA5004917	M8 Nyloc Nut	2
H-3	GA5004883	8mm Washer	4
I-1	GA5065455	M10 x 30mm Bolt	2
I-2	GA5000141	M10 Nyloc Nut	2
I-3	GA5000117	10mm Washer	4

TANK BRACING BAR



Item	Part No	Description	Quantity
A	GA4672885	Tank Bar	1
B-1	GA5000581	M12 S/S Nut	4
B-2	GA5000577	12mm Washer (S/S)	4

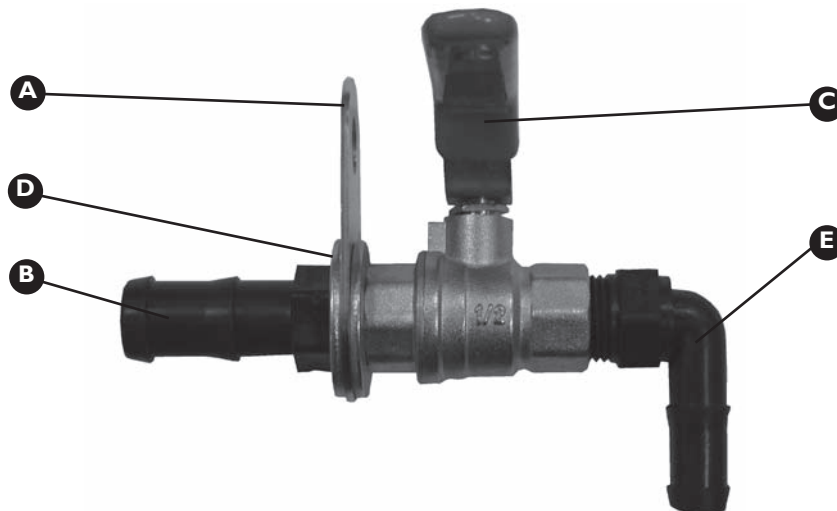
SUMP DRAIN HOSE



Item	Part No	Description	Quantity
A	GA4903097	Remote Sump Drain	1
B	HB050/075-90	1/2" x 3/4" Elbow	1

Note: Picture shows sump drain hose and valve located on left side of sprayer

REMOTE SUMP DRAIN HOSE VALVE

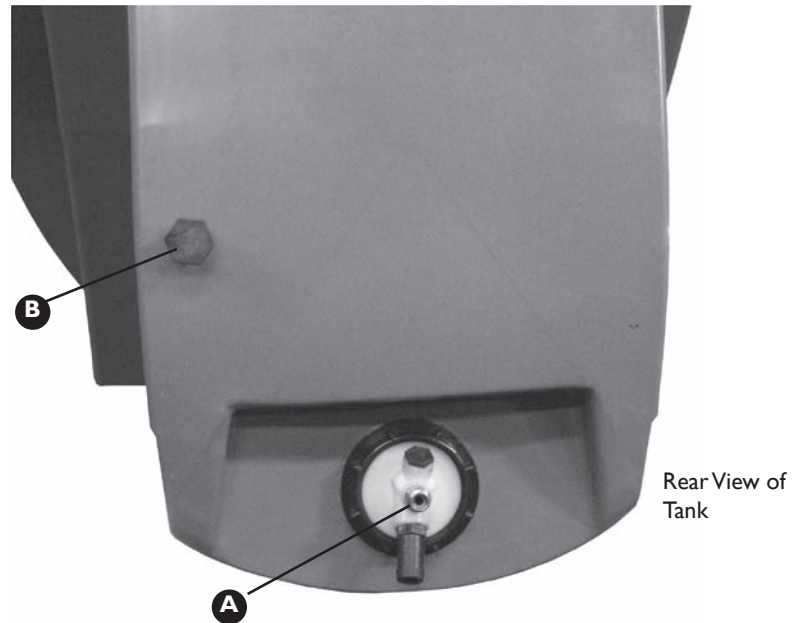


Assembly Part No. GA4903097

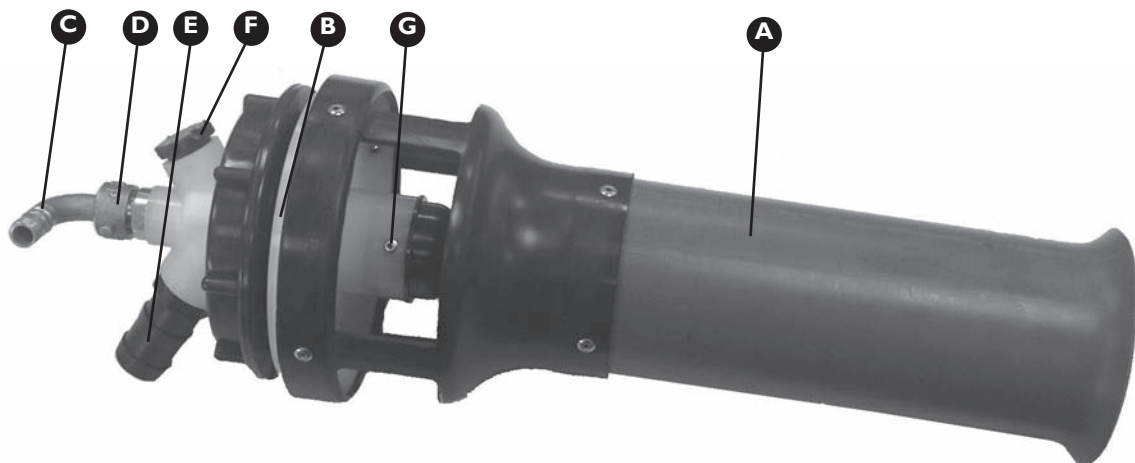
Item	Part No	Description	Quantity
A	F70565A	Stainless Steel Mounting Plate	1
B	HB050-075	1/2" x 3/4" Poly Hose Barb	1
C	GA5018309	Ball Valve	1

Item	Part No	Description	Quantity
D	GA5001741	20mm S/S Washer	2
E	HB050/075-90	1/2" x 3/4" Poly Elbow	1

SUPER MIX AGITATOR



Item	Part No	Description	Quantity
A	GA4903096	Agitator Assembly	1
B	PLUG100	1" Poly Plug	1
C	F70242A	Spanner to suit Agitator	1



Assembly Part No. GA4903096			
Item	Part No	Description	Quantity
A	502054	Agitator Mixer Body	1
B	GA5020050	O-ring M5 x 100mm	1
C	0065302	1/2" Brass Elbow	1
D	GA5012375	1/2" Nut with O-ring	1

Item	Part No	Description	Quantity
E	HB075-100	3/4" x 1" Poly Hose Barb	1
F	PLUG050	1/2" Plug	1
G	GA5005117	1/8" x 5/16" Pop Rivet	1

TANK TOP FITTINGS



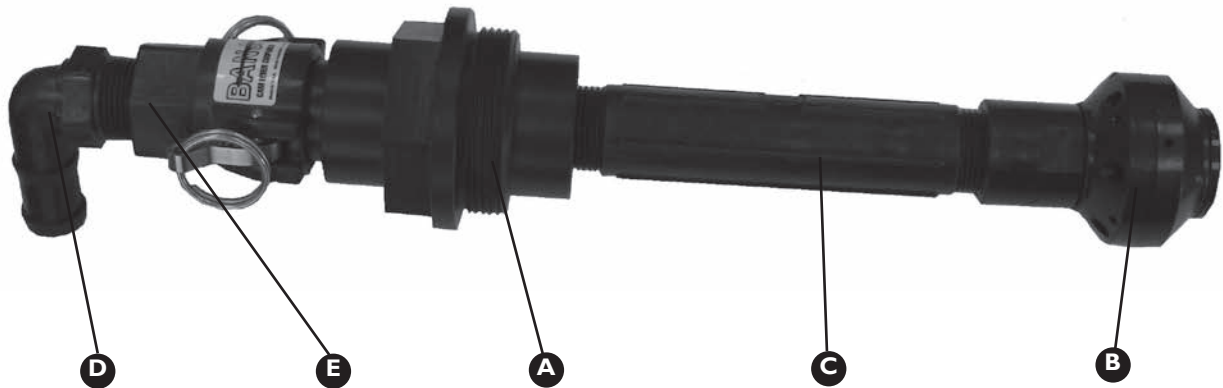
Item	Part No	Description	Quantity
A-1	352040	Tank Lid*	1
A-2	300126	Basket Strainer*	1
B	GA4901285-1	Tank Flush Nozzle Assembly (Elbow)	1
C	GA4901285-2	Tank Flush Nozzle Assembly (Tee)	1

Item	Part No	Description	Quantity
D	GA4903086	Venturi Assembly	1
E	GA4903136	Tank Fill	1
F	GA4903098	Hopper Inlet#	1

* Not shown in photo

If a Hopper is fitted

TANK FLUSH NOZZLE (ELBOW)

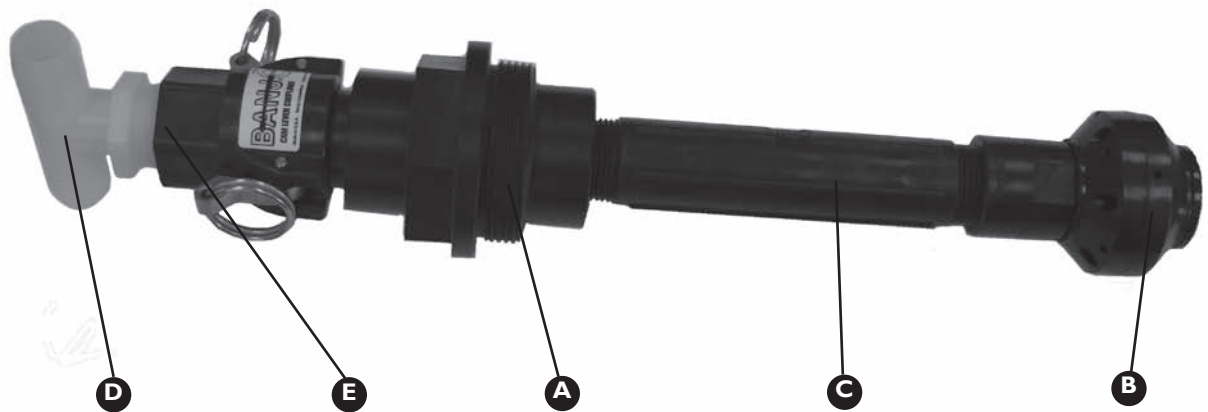


Assembly Part No. GA4901285-1

Item	Part No	Description	Quantity
A	GA4572015	Tank Adapter with Cam Lock	1
B	B55270-3/4-18	Rinse Nozzle	1
C	NIP075-6	3/4" x 6" Poly Nipple	1

Item	Part No	Description	Quantity
D	HB075-90	3/4" Poly Elbow	1
E	75D	3/4" Female Coupler	1

TANK FLUSH NOZZLE (TEE)

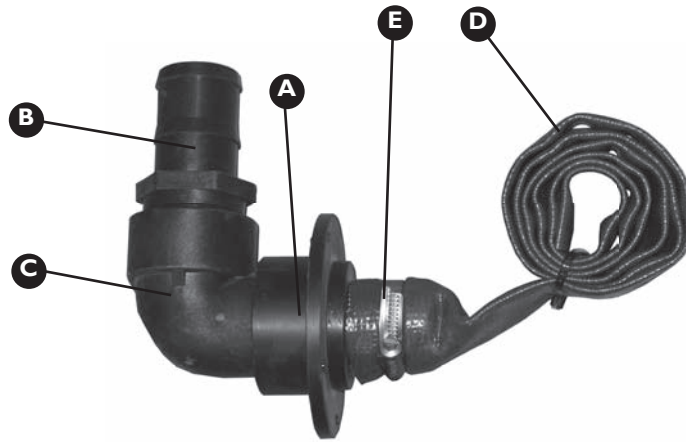


Assembly Part No. GA4901285-2

Item	Part No	Description	Quantity
A	GA4572015	Tank Adapter with Cam Lock	1
B	B55270-3/4-18	Rinse Nozzle	1
C	NIP075-6	3/4" x 6" Poly Nipple	1

Item	Part No	Description	Quantity
D	GA5018776	3/4" Poly Tee	1
E	75D	3/4" Female Coupler	1

TANK FILL



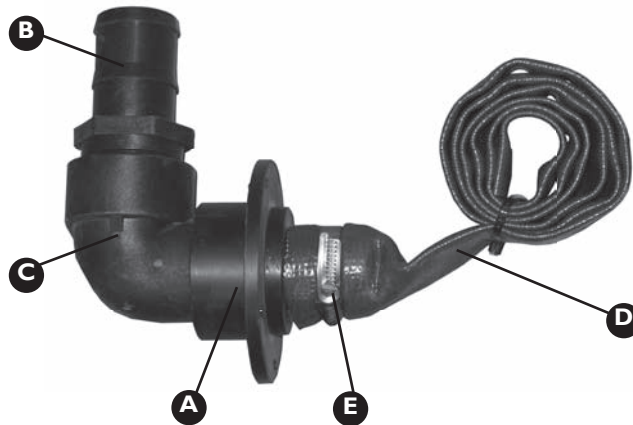
Assembly Part No. GA4903136

Item	Part No	Description	Quantity
A	L026A	Tank Flange	1
B	HB200	2" Straight Poly Hose Barb	1
C	SL200-90	2" Elbow	1

Item	Part No	Description	Quantity
D	HOS50PVC	50mm PVC Hose	1.55m
E	GA5003325	Hose Clamp	1
F	GA5000529	1" x 12g Screw [#]	3

* Older machines were fitted with layflat hose instead of this
 # Not shown in photo

HOPPER INLET



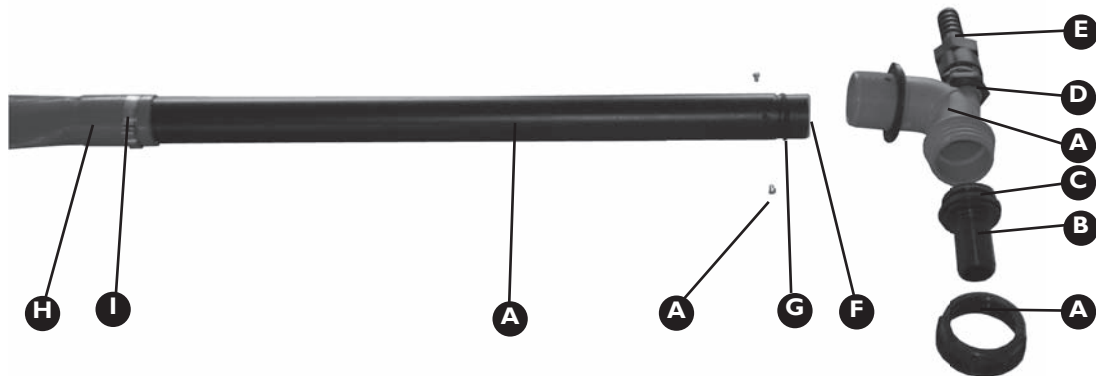
Assembly Part No. GA4903098

Item	Part No	Description	Quantity
A	L026A	Tank Flange	1
B	HB200-150	1 1/2" Straight Poly Hose Barb	1
C	SL200-90	2" Elbow	1

Item	Part No	Description	Quantity
D	HOS50PVC	50mm PVC Hose*	1.55m
E	GA5003325	Hose Clamp	1
F	GA5000529	1" x 12g Screw [#]	3

* Older machines were fitted with layflat hose instead of this
 # Not shown in photo

VENTURI

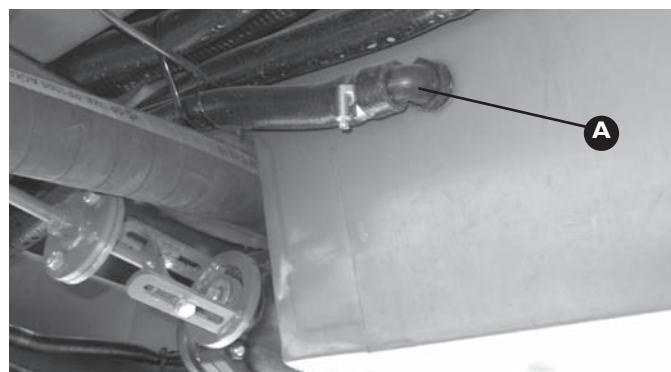


Assembly Part No. GA4903086

Item	Part No	Description	Quantity
A	500232	Venturi Filler	1
B	106625	Hose Tail	1
C	G10060	O-ring M3 x 29mm	1
D	RB075050	Poly Reducer Bush	1
E	HBF075	3/4" Female Hose Barb	1

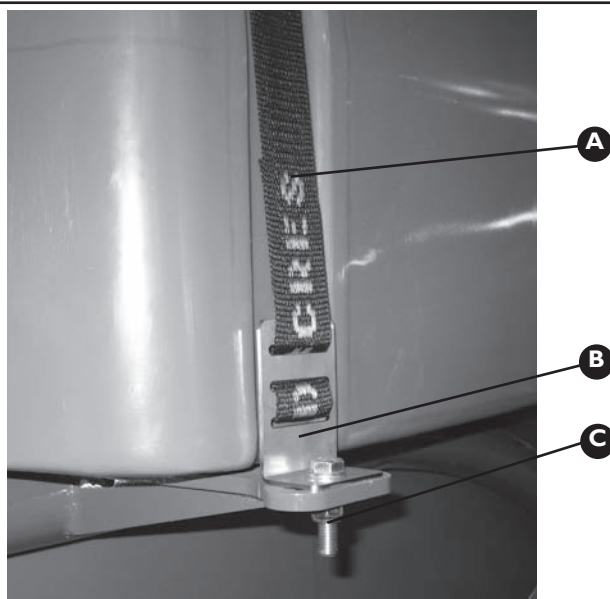
Item	Part No	Description	Quantity
F	MACH0022	Venturi Jet	1
G	GA5049125	O-ring Imperial BS213	3
H	GA5050205	32mm Lay Flat Hose (blue) 0.405m	
I	GA5007235	Cobra Clamp	1

SAFETY AND PRESSURE RELIEF VALVE RETURN LINES



Item	Part No	Description	Quantity
A	HB100-90	1" Elbow	1

TANK STRAPS

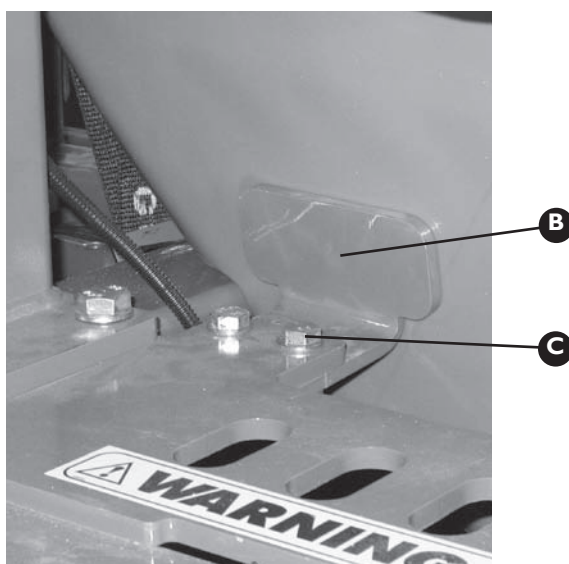


Item	Part No	Description	Quantity
A	GA5003859	50mm wide Tank Strap	*
B	F70127A	Tank Strap Mounting Bracket	4
C-1	GA5000331	M12 x 50mm Bolt	4

Item	Part No	Description	Quantity
C-2	GA5012461	M12 Nyloc Nut	4
C-3	GA5000577	12mm Washer S/S	4

* Quantity needs to be specified when ordering

TANK STOPS

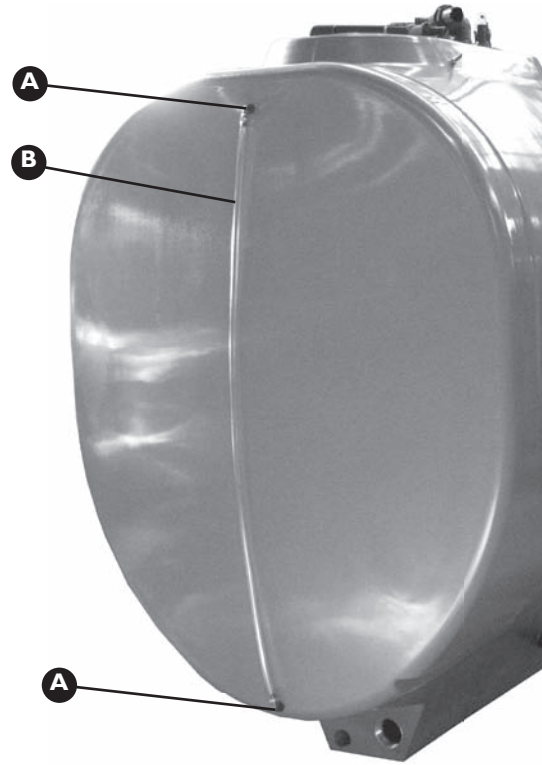


Item	Part No	Description	Quantity
A	GA4522510	Left Tank Stop	1
B	GA4522515	Right Tank Stop	1
C-1	GA5000331	M12 x 50mm Bolt	4

Item	Part No	Description	Quantity
C-2	GA5012461	M12 Nyloc Nut	4
C-3	GA5000577	12mm Washer S/S	8

WET SIGHT TUBE

Item	Part No	Description	Quantity
A	HB050-90	1/2" Elbow	2
B	HOS12SIGHT	Sight Tube Hose	1400mm



MAIN TANK