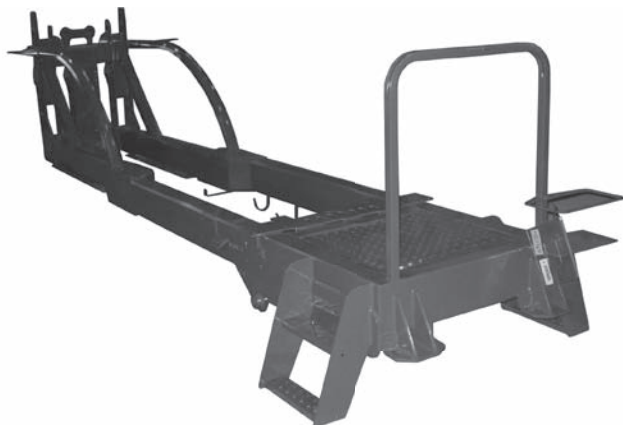


CHAPTER I

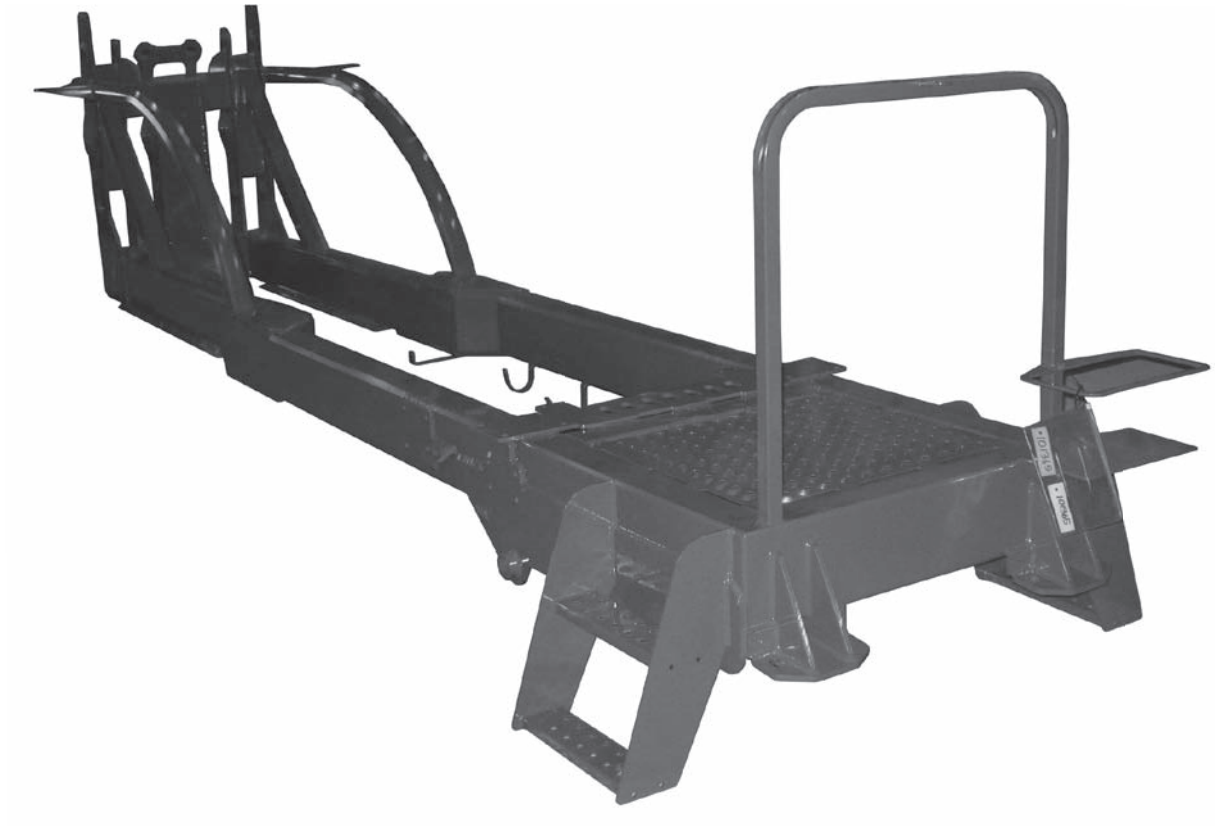
CHASSIS



Main Chassis	I-2
Pull.	I-3
Jack	I-4
Boom Rests.....	I-5
Steps	I-6
H-Frame	I-7
Towbars.....	I-7

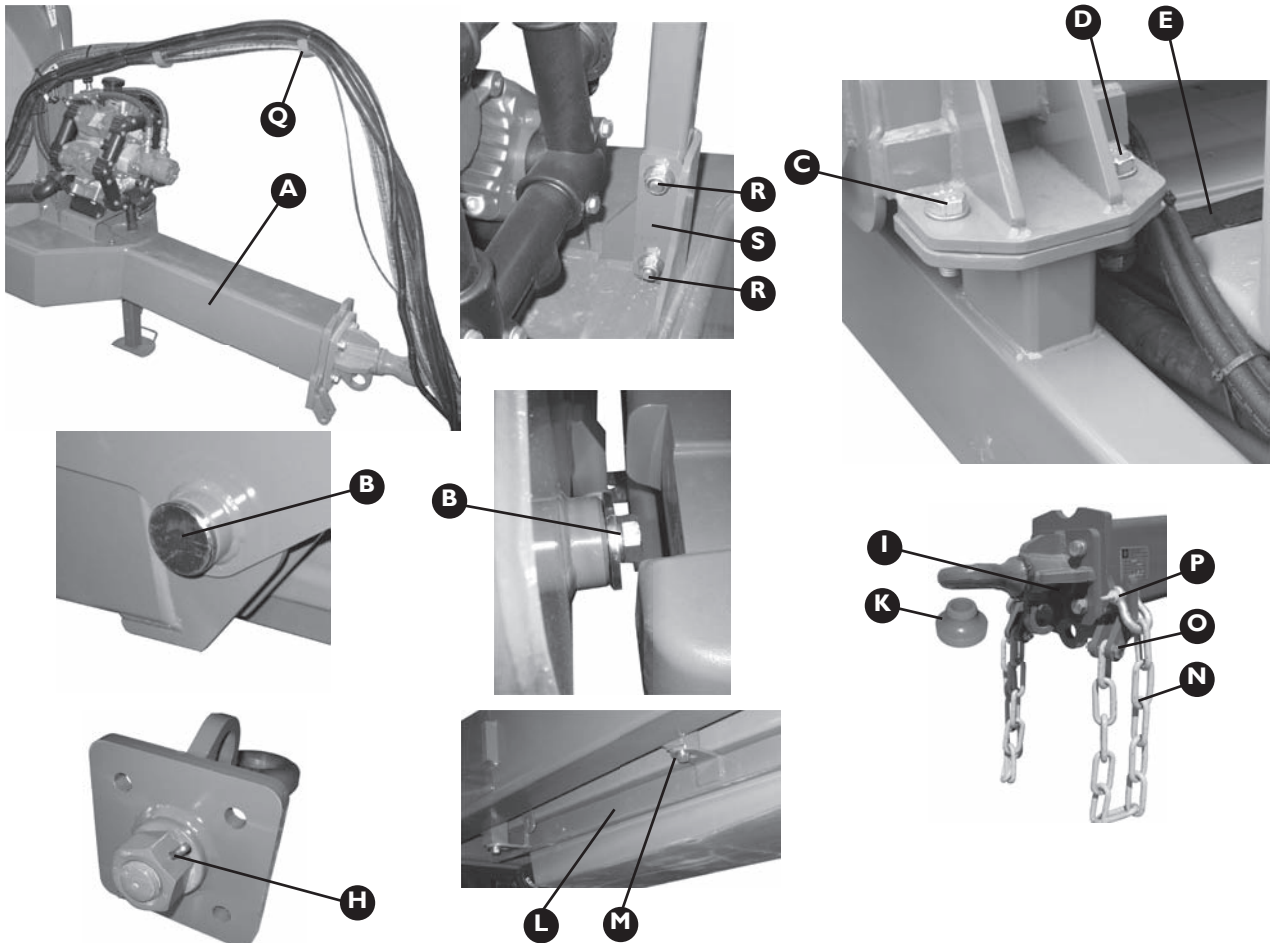
Rev 00 15/4/10

MAIN CHASSIS



Part No	Description
GA4657675	4/5000L Special Chassis (Bare)

PULL

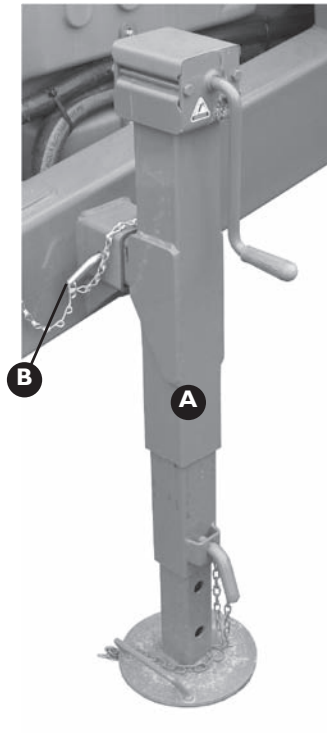


Item	Part No	Description	Quantity
A	GA4657670	Special 4/5000L EF Pull	1
B-1	PCH-019MACH	Pin	2
B-2	GA5011321	M20 x 50mm Bolt	2
B-3	L073A	Washer (69.2OD x 21.2ID)	2
B-4	GA5001721	20mm Spring Washer	2
C-1	GA5011333	M20 x 60mm Bolt	2
C-2	GA5048125	M20 Nyloc Nut	2
C-3	GA5001741	20mm Washer S/S	4
D-1	GA5048110	M20 x 120mm Bolt	2
D-2	GA5048125	M20 Nyloc Nut	2
D-3	GA5001741	20mm Washer S/S	4
D-4	L048A	Spacer	2
E	GA4522385	Rinse Tank Retainer Strap	1
F	GA4652486	Tow Eye Housing	1
G	GA5016243	50mm Tow Eye with Nut	1
H	GA5051385	M8 x 125mm Split Pin	1
I	GA5050450	6mm Grease Nipple	1
J-1	GA5001565	M20 x 70mm Bolt (ZP)	4

Item	Part No	Description	Quantity
J-2	GA5001721	20mm Spring Washer	4
J-3	GA5001741	20mm Washer S/S	4
K	GA4582455	1 1/4" Tow Eye Bush	1
L	GA4654320	Rinse Tank Cradle	1
M-1	GA5000311	M12 x 35mm Bolt	6
M-2	GA5000575	12mm Spring Washer	6
M-3	GA5000577	12mm Washer	6
N	GA5065030	Safety Chain (11 Links)	2
O-1	GA5011307	M16 x 80mm Bolt	2
O-2	GA5001029	M16 Nyloc Nut	2
O-3	GA5001043	16mm Washer	4
P	GA5000667	D Shackle	2
Q	GA4657665	Hose Support Arm	1
R-1	GA5006073	M10 x 75mm Bolt	2
R-2	GA5000141	M10 Nyloc Nut	2
R-3	GA5000139	10mm Washer	4
S	GA4522926	Support Arm Backing Plate	1

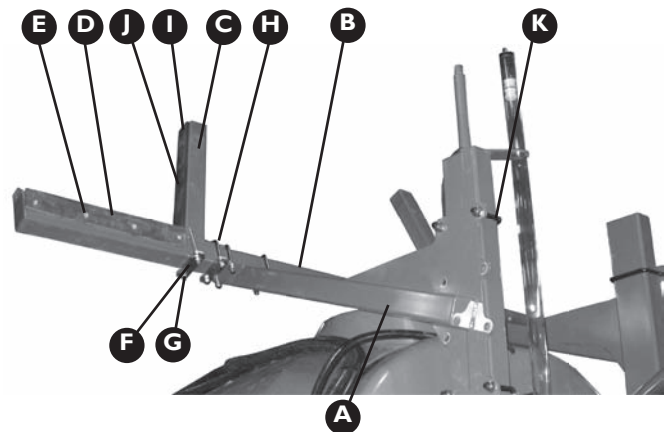
JACK

Item	Part No	Description	Quantity
A	GA4657680	Jack	1
B	SP-IH-009MACH Retainer Pin		1



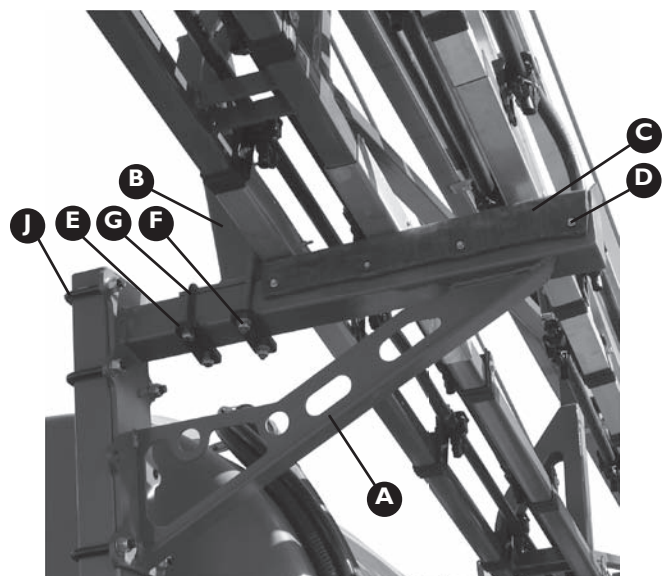
BOOM RESTS

Item	Part No	Description	Quantity
A	GA4654216	Right Boom Rest	1
	GA4654217	Left Boom Rest	1
B	GA4654218	Boom Rest Cross Member	1
C	GA4654250-B	Boom Rest Upright	2
D	GA5014617	Boom Rest Rubber (350mm)	2
E	GA5000707	Tex Screw	16
F	F70107A	Upright Retainer Plate	4
G-1	GA5012461	M12 Nyloc Nut	4
G-2	GA500577	12mm Washer S/S	4
H-1	GA5011259	M12 x 76mm x 110mm U Bolt	6
H-2	GA5012461	M12 Nyloc Nut	12
H-3	GA5000577	12mm Washer S/S	12
I	GA5066630	Plastic Guide Plate	2
J	GA5051230	Screw	10
K-1	GA5011277	M16 x 127mm x 110mm U Bolt	4
K-2	GA5001029	M16 Nyloc Nut	8
K-3	GA5001043	16mm Washer S/S	8



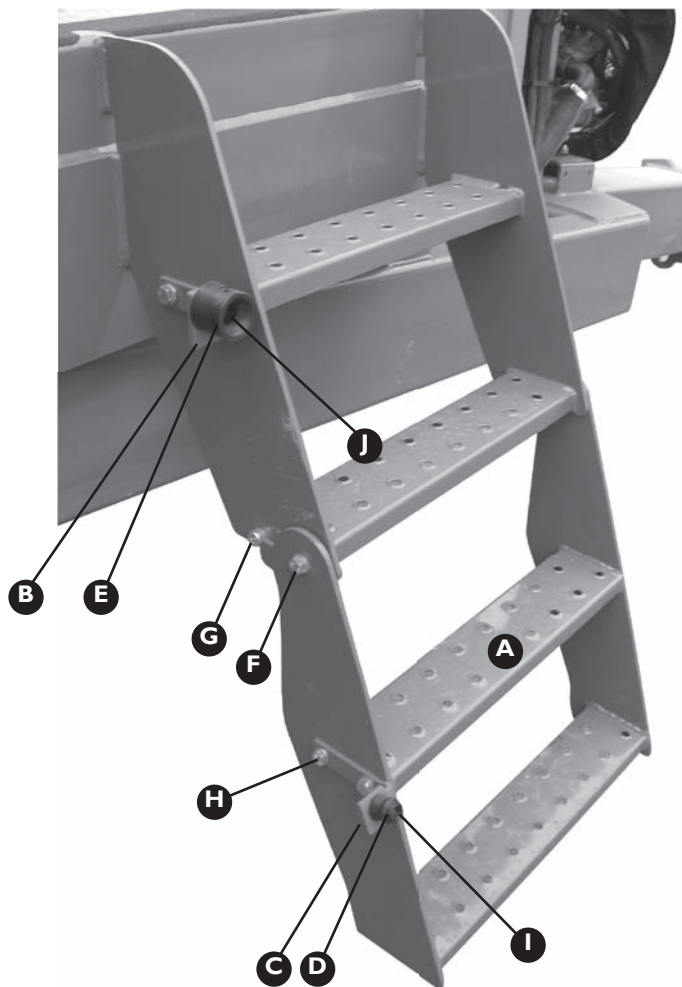
Used on all Delta Booms

Item	Part No	Description	Quantity
A	GA4654200	Right Boom Rest	1
	GA4654205	Left Boom Rest	1
B	GA4654250	Boom Rest Upright	1
C	GA5014621	Boom Rest Rubber (550mm)	1
D	GA5000707	Tex Screw	8
E	F70107A	Upright Retainer Plate	2
F-1	GA5012461	M12 Nyloc Nut	2
F-2	GA500577	12mm Washer S/S	2
G-1	GA5011259	M12 x 76mm x 110mm U Bolt	1
G-2	GA5012461	M12 Nyloc Nut	2
G-3	GA5000577	12mm Washer S/S	2
H	GA5066630	Plastic Guide Plate [#]	1
I	GA5051230	Screw [#]	5
J-1	GA5011277	M16 x 127mm x 110mm U Bolt	3
J-2	GA5001029	M16 Nyloc Nut	6
J-3	GA5001043	16mm Washer S/S	6



Used on all Tritech Booms

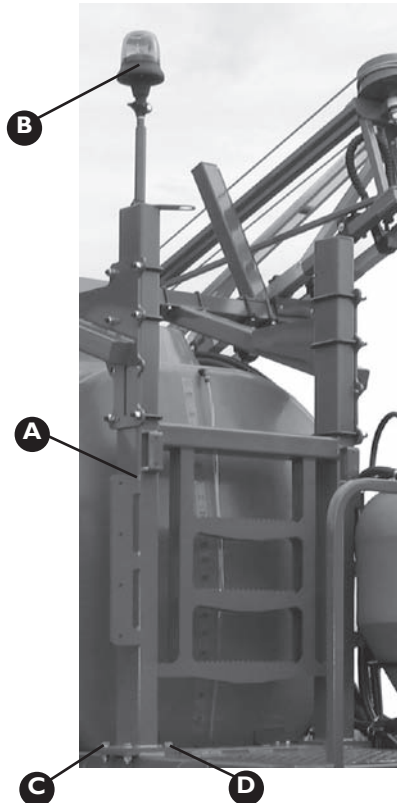
STEPS



Item	Part No	Description	Quantity	Item	Part No	Description	Quantity
A	GA4654582	Lower Steps	1	G-3	GA5000139	10mm Washer (ZP)	2
B	F70684A	Left Upper Catch Mount	1	H-1	GA5065455	M10 x 30mm Bolt	4
	F70654A	Right Upper Catch Mount	1	H-2	GA5000141	M10 Nyloc Nut	4
C	GA4522617	Lower Catch Mount	1	H-3	GA5000139	10mm Washer (ZP)	8
D	GA5011607	Male Step Catch	1	I-1	GA5004079	M6 x 30mm Bolt	1
E	GA5008629	Female Step Catch	1	I-2	GA5048115	M6 Nyloc Nut	1
F-1	GA5065455	M10 x 30mm Bolt	2	I-3	GA5004349	6mm Washer (ZP)	1
F-2	GA5000141	M10 Nyloc Nut	2	J-1	GA5004055	M6 x 20mm Cap Screw	1
F-3	GA5000139	10mm Washer (ZP)	6	J-2	GA5048115	M6 Nyloc Nut	1
G-1	GA5011153	M10 x 20mm Cap Screw	2	J-3	GA5004349	6mm Washer (ZP)	2
G-2	GA5000141	M10 Nyloc Nut	2				

Note: Left side shown. All parts the same for the right side except for item B, then use second part number listed

H-FRAME



Item	Part No	Description	Quantity
A	GA4654180	H-Frame	1
B-1	GA5048975	Beacon Light*	1
B-2	GA5020411	Beacon Insert, Screw In*#	1
C-1	GA5000941	M16 x 60mm Bolt	4
C-2	GA5001029	M16 Nyloc Nut	4

Item	Part No	Description	Quantity
C-3	GA5001043	16mm S/S Washer	8
D-1	GA5000931	M16 x 50mm Bolt	4
D-2	GA5001029	M16 Nyloc Nut	4
D-3	GA5001043	16mm S/S Washer	8

*Only Fitted when road pack option is selected.

Only used on machines manufactured from Nov. 2009 onwards (Build Seq. No. 18529), previously welded on.

TOWBARS

Item	Part No	Description	Quantity
A	GA4655466	Towbar	1
B	GA4655467	Towbar Mount to suit Rigid Axle	1
	GA4655468	Towbar Mount to suit Tanker	1
C	GA5051930	Towbar Pin with Chain	1
D-1	GA5000931	M16 x 50mm Bolt	8
D-2	GA5001029	M16 Nyloc Nut	8
D-3	GA5001043	16mm Washer S/S	16
E-1	GA5000931	M16 x 50mm Bolt	4
E-2	GA5001029	M16 Nyloc Nut	4
E-3	GA5001043	16mm Washer S/S	8

