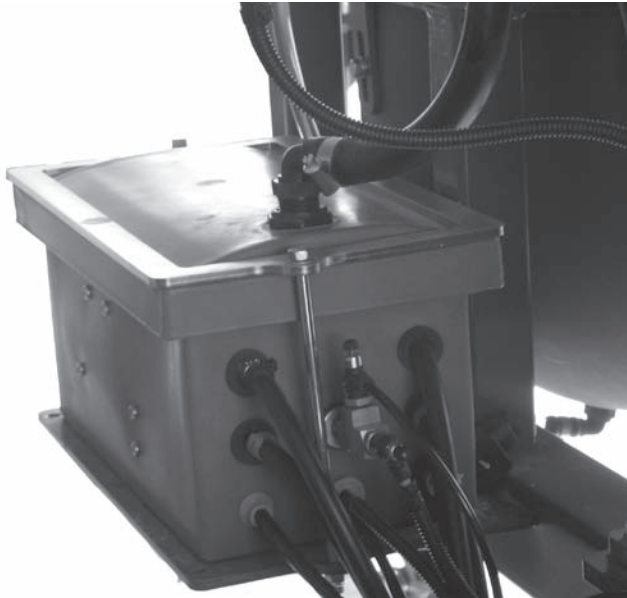


# CHAPTER 9

---

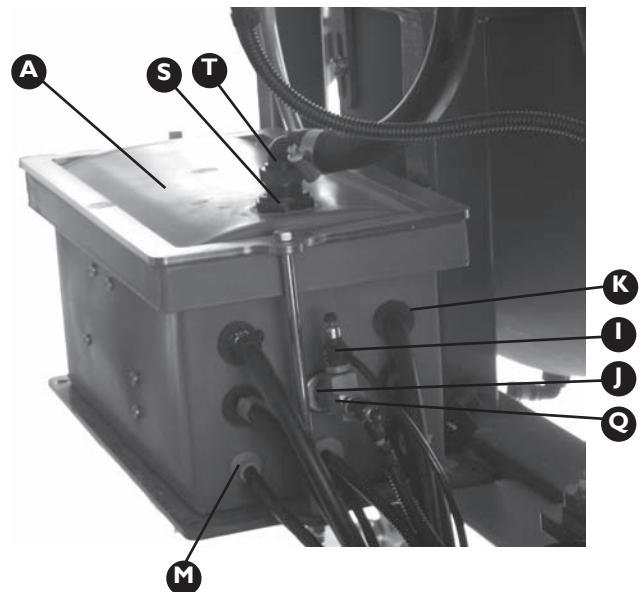
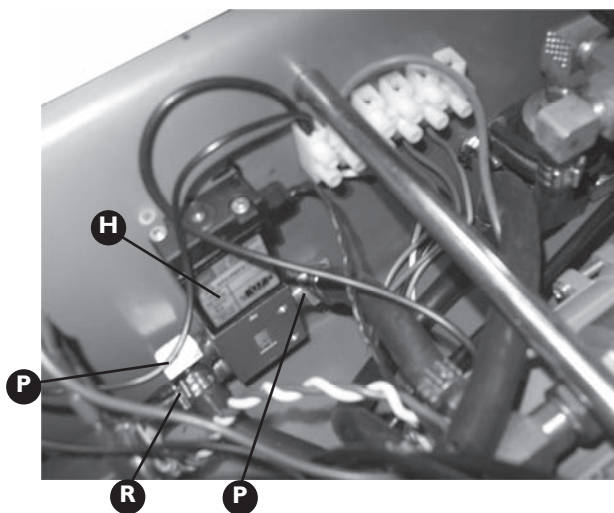
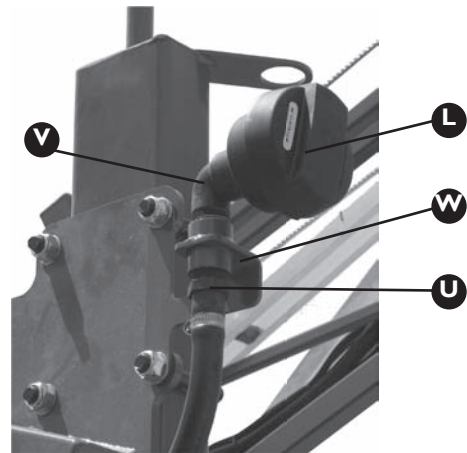
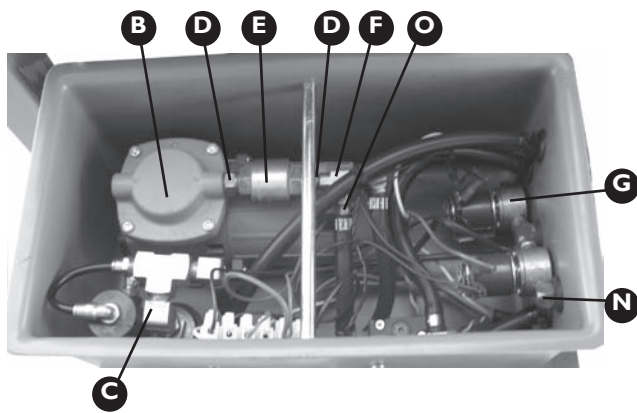
## FOAM MARKER



Foam Marker Box Components . . . .	9-2
Foam Marker Exhaust Valve . . . . .	9-4
Foam Marker Compressor Parts . . .	9-5
Foam Concentrate Tank . . . . .	9-6
Pre-Assembled Filter & Ball Valves . .	9-6
Exacta Foam Marker Tank Mount . . .	9-7
Exacta Foam Marker Tank . . . . .	9-7

Rev 00 15/4/10

# FOAM MARKER BOX COMPONENTS



Item	Part No	Description	Quantity
A	GA5066855	Foam Marker Box & Lid	1
B	GA5018806	Air Compressor <sup>#1</sup>	1
C	GA4912005	Foam Marker Exhaust Valve <sup>#2</sup>	1
D	GA5020690	1/8" x 3/8" Reducing Nipple	2
E	GA5020010	3/8" Check Valve	1
F	GA5016559	1/8" Female Brass Tee	2
G	GA5018395	Liquid Solenoid	2
H	GA5002959	Air Solenoid	1
I	GA5015643	Needle Valve	2
J	GA5013809	1/4" x 1/8" Reducing Nipple	1
K	GA5012199	29mm Neoprene Grommet	7
L	GA5005259	1" Air Filter <sup>#3</sup>	1

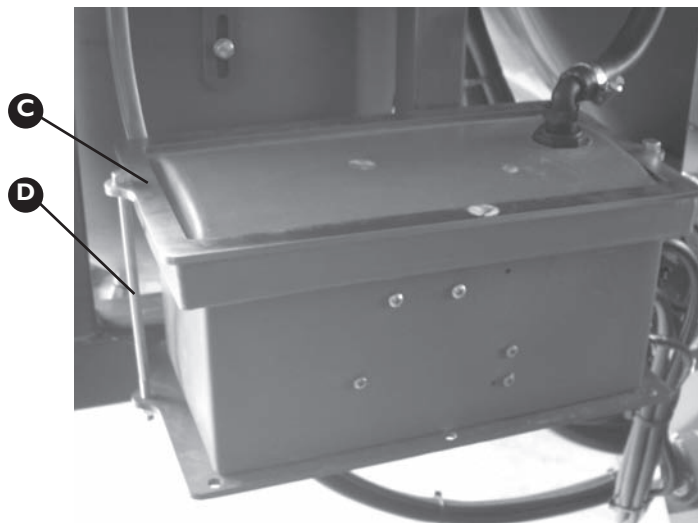
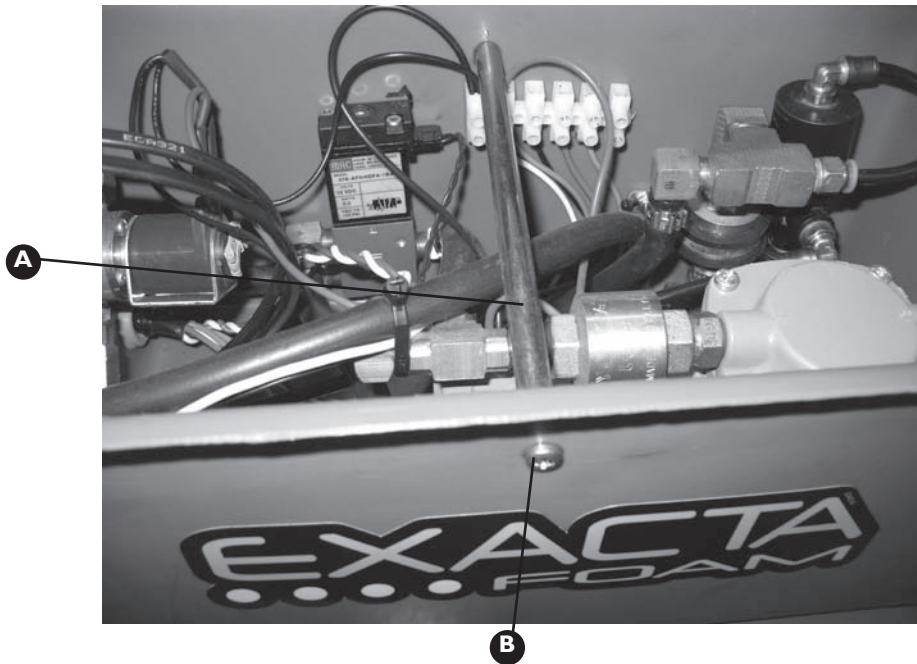
Item	Part No	Description	Quantity
M	GA5017703	19x5mm Grommet	1
N	GA5066950	1/4" x 1/8" Brass Elbow	3
O	GA5066945	1/4" x 1/8" Hose Barb	1
P	GA5048340	1/4" Brass Elbow	2
Q	GA5048300	1/4" Female Tee	1
R	GA5020540	1/4" Brass Hose Barb	1
S	NIP075SH	3/4" Poly Nipple	1
T	HB075-90	3/4" Poly Elbow	1
U	HB075-100	3/4" x 1" Hose Barb	1
V	SL100	1" Male to Female Elbow	1
W	GA4656445	Air Filter Bracket	1

<sup>#1</sup> Assembly breakdown shown on page 9-5

<sup>#2</sup> Assembly breakdown shown on page 9-4

<sup>#3</sup> Replacement Filter shown in Chapter 19 Filtration and Hose

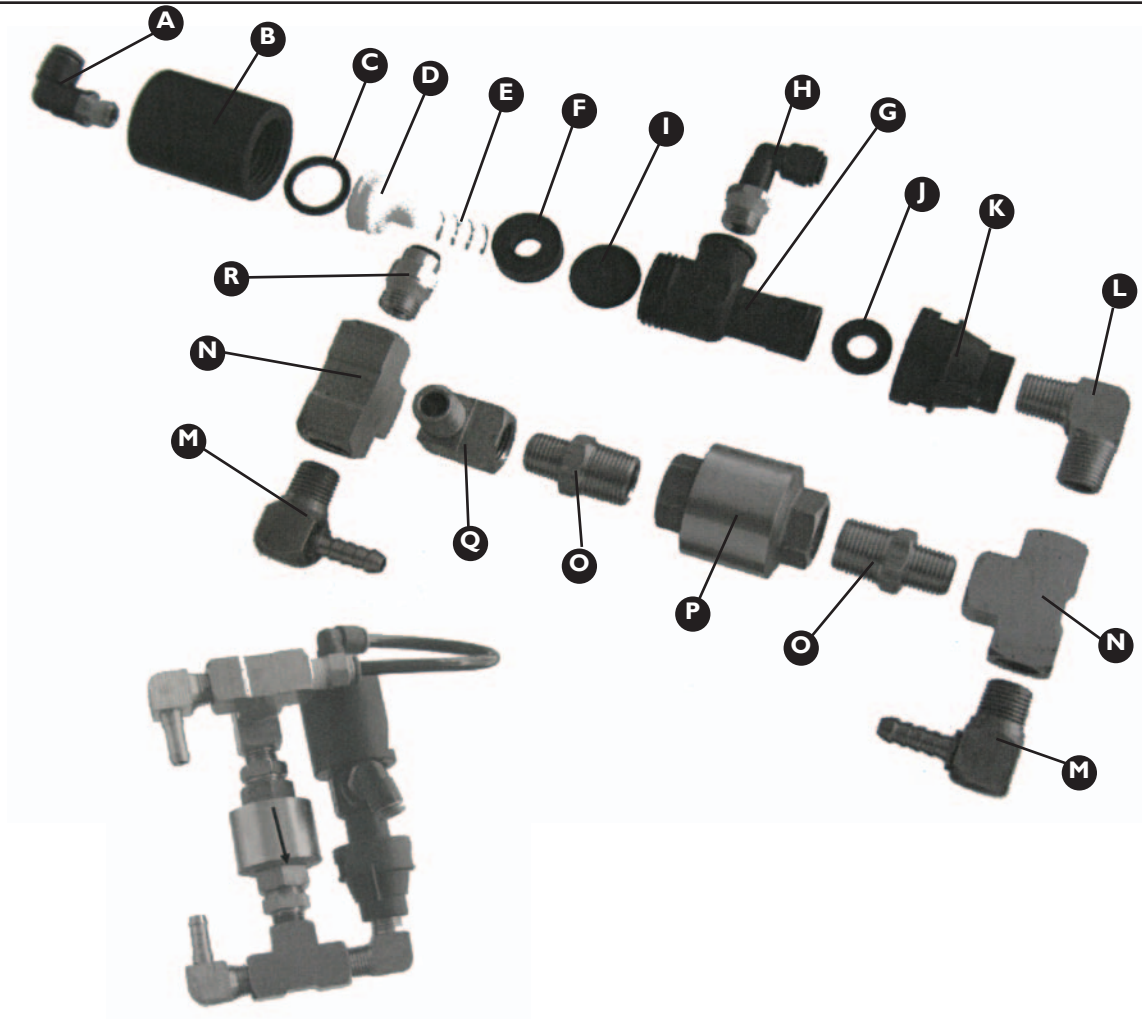
## FOAM MARKER BOX COMPONENTS CONT.



Item	Part No	Description	Quantity
A	GA4572130	Compressor Box Spacer Rod	1
B-1	GA5003976	M5 x 20mm Panhead Set Screw	2
B-2	GA5003983	5mm Washer	2
C	F70254A	Top Retainer Plate	1
D-1	MACH0041	M8 x 210mm Bolt	2
D-2	GA5004917	M8 Nyloc Nut	2
D-3	GA5003651	8mm Washer	4
E	GA5016463	Foam Sealing Tape*	1.3m

\* Not shown in photos

# FOAM MARKER EXHAUST VALVE

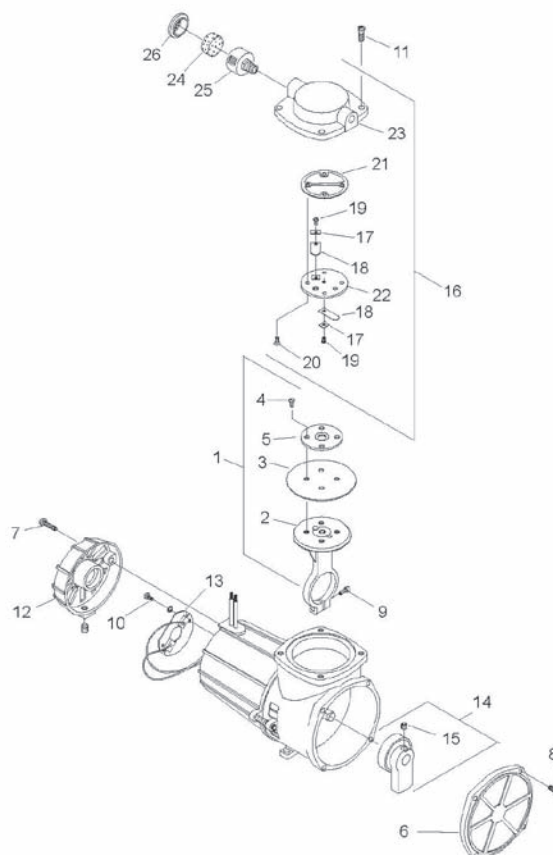


**Assembly Part No GA4912005**

Item	Part No	Description	Quantity
A	GA5045145	6mm x 1/8 BSPT Elbow	1
B	GA4572000	Chemsaver Body	1
C	CP50676-V1	Cup Seal	1
D	GA4572005	Chemsaver Piston	1
E	GA5045090	Spring 14.2 x 14	1
F	GA4572010	Chemsaver Washer	1
G	005860036	Diapham Nozzle Body	1
H	GA5016233	6mm x 1/4 BSP Swivel	1
I	QJ8355-1/4-NYR	Diapham	1

Item	Part No	Description	Quantity
J	402200040	Cap Seal	1
K	QJ4676-1/4-NYR	Adapter	1
L	GA5008343	1/4" Elbow	1
M	GA5048340	1/4" Barbed Elbow	2
N	GA5048300	1/4" Brass Tee	2
O	GA5045085	1/4" x 3/8" Nipple	2
P	GA5020010	3/8" Check Valve	1
Q	GA5048305	1/4" Extruded Elbow	1
R	GA5045140	6mm x 1/4" BSPT Adapter	1

# FOAM MARKER COMPRESSOR PARTS



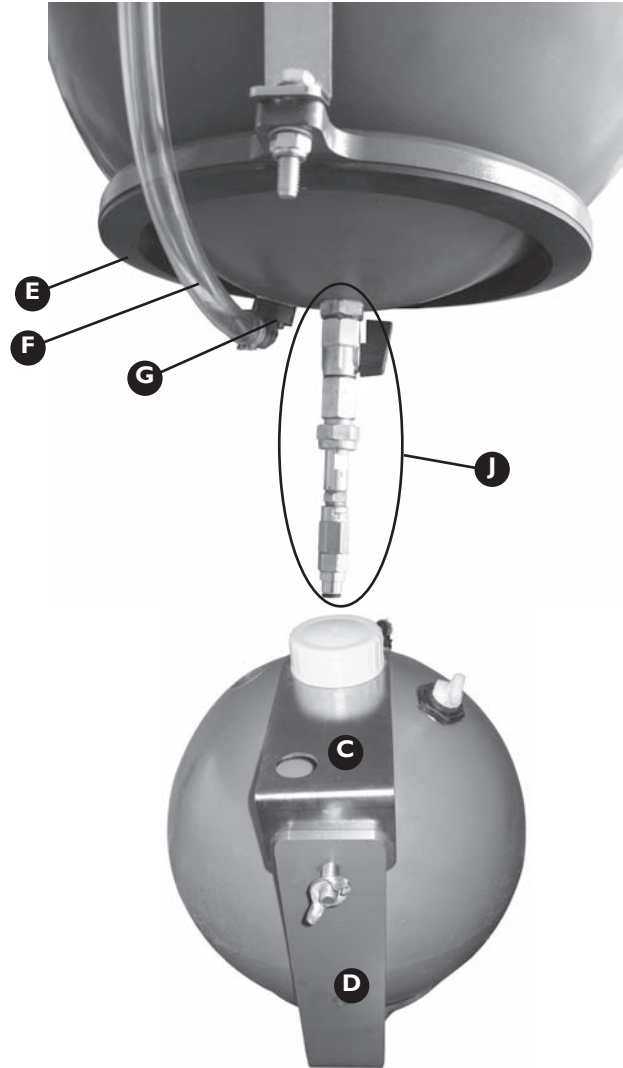
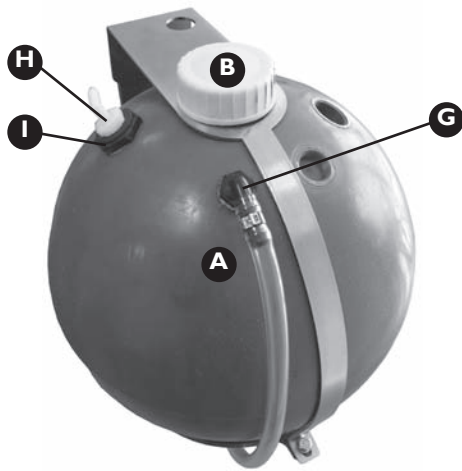
## Assembly Part No GA5018806

Item	Part No	Description	Quantity
1	607180	Connecting Rod Assembly	1
2	607139	Connecting Rod	1
3	608148	Diaphragm	1
4	625540	Screw - Hold Down Plate	4
5	654649	Hold Down Plate	1
6	614608	Front Cover	1
7	614608	Screw - Motor End Cap	2
8	625660	Screw - Front Cover	4
9	625114	Conn Rod. Screw	1
10	625476	Screw - Brush Card	2
11	625444	Screw - Head	4
12	620352	Motor End Cap Assembly	1
13	627093	Brush Card Assembly	1
14	645373	.18 Stroke Eccentric & Bearing Assy	1
	667611	.20 Stroke Eccentric & Bearing Assy	1

Item	Part No	Description	Quantity
15	625244	Set Screw - Eccentric	1
16	660873-504	Head & Valve Plate Assembly	1
17	617045	Valve Keeper	2
18	621102	Valve Flapper - Intake & Exhaust	2
19	625160	Screw - Flapper	2
20	625606	Screw - Valve Plate	4
21	633439	Gasket - Head	1
22	654129	Valve Plate	1
23	660131-504	Head	1
24	641034	Filter Foam	1
25	660763	Filter Body	1
26	660767	Filter Body Cap	1

Note: Not all parts are stocked in australia. Some parts may not be available.

## FOAM CONCENTRATE TANK

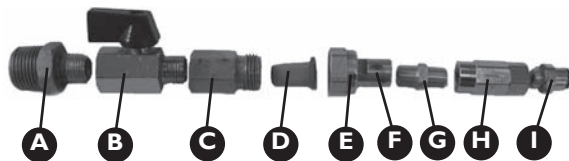


Item	Part No	Description	Quantity
A	GA4901038	Foam Concentrate Tank, 25L	1
B-1	GA5009157	Cap suit exacta tank	1
B-2	GA5009187	O-ring suit cap	1
C	F70622A	Inject bottle Strap	1
D	F70609A	Bottle Mount	1
E	GA5010085	Hollow Retangular Rubber 691mm	
F	HOS12SIGHT	12mm sight tube	
G	HB050-90	1/2" Poly Elbow	2
H	EL1214	1/2" x 1/4" Elbow	1
I	RB100050	1" x 1/2" Reducer Bush	1
J	GA4903077	Pre-assembled Filter and ball valve for direct injection foam	1

## PRE-ASSEMBLED FILTER & BALL VALVES

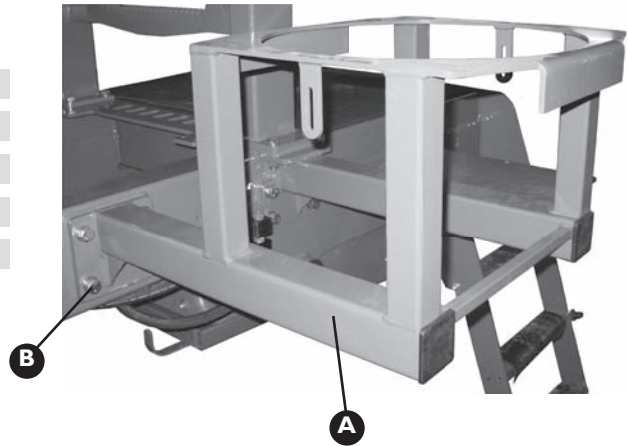
Pre-Assembled Filter and Ball Valve to suit Direct Injection Foam Marker Tanks (GA4903077)

Item	Part No	Description	Quantity
A	GA5012259	Reducing Nipple	1
B	GA5017405	Ball Valve	1
C	CPI321	Brass Nozzle Body	1
D	8079-PP-200	200 Mesh Strainer (Orange)	1
E	CPI325	Brass Cap	1
F	CP4928	Brass Adapter	1
G	GA5066935	1/8" Brass Nipple	1
H	GA5018147	1/8" Check Valve	1
I	GA5050210	6mm x 1/8" Fitting	1

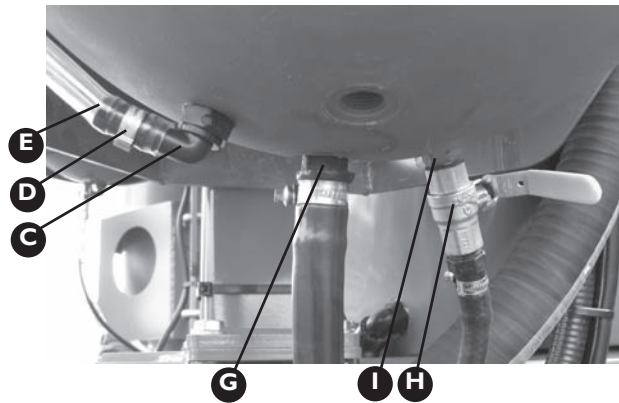
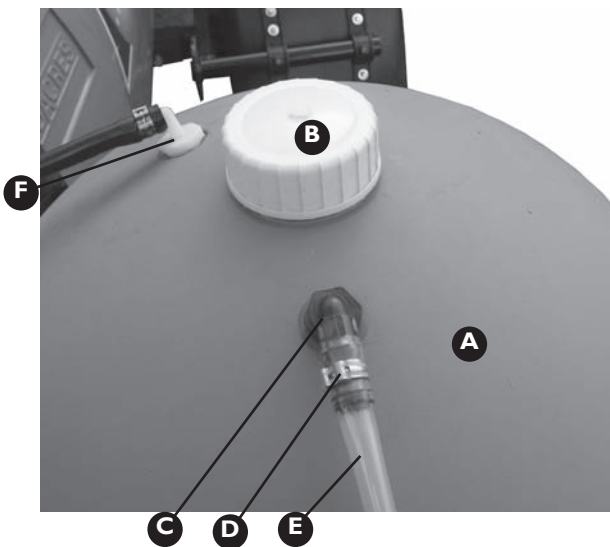


# EXACTA FOAM MARKER TANK MOUNT

Item	Part No	Description	Quantity
A	GA46572	Foam Tank Mounting Frame	1
B-1	GA5000903	M16 x 25mm Bolt	8
B-2	GA5001009	16mm Washer	8
B-3	GA5000961	16mm Spring Washer	8



# EXACTA FOAM MARKER TANK



**Assembly Part No GA4903081**

Item	Part No	Description	Quantity
A	GA5018487	100L Foam Tank	1
B-1	GA5009157	Cap suit exacta tank	1
B-2	GA5009187	O-Ring suit Cap	1
C	HB050-90	1/2" Poly Elbow	2
D	GA5007225	1/2" Cobra Clamp	2

Item	Part No	Description	Quantity
E	HOS12SIGHT	12mm Sight Tube	1000mm
F	EL1214	1/2" x 1/4" Elbow	1
G	HB050/075	1/2" x 3/4" Hose Barb	1
H	GA5018309	12mm Ball Valve	1
I	GA5018310	1/2" Brass Nipple	1

FOAM MARKER