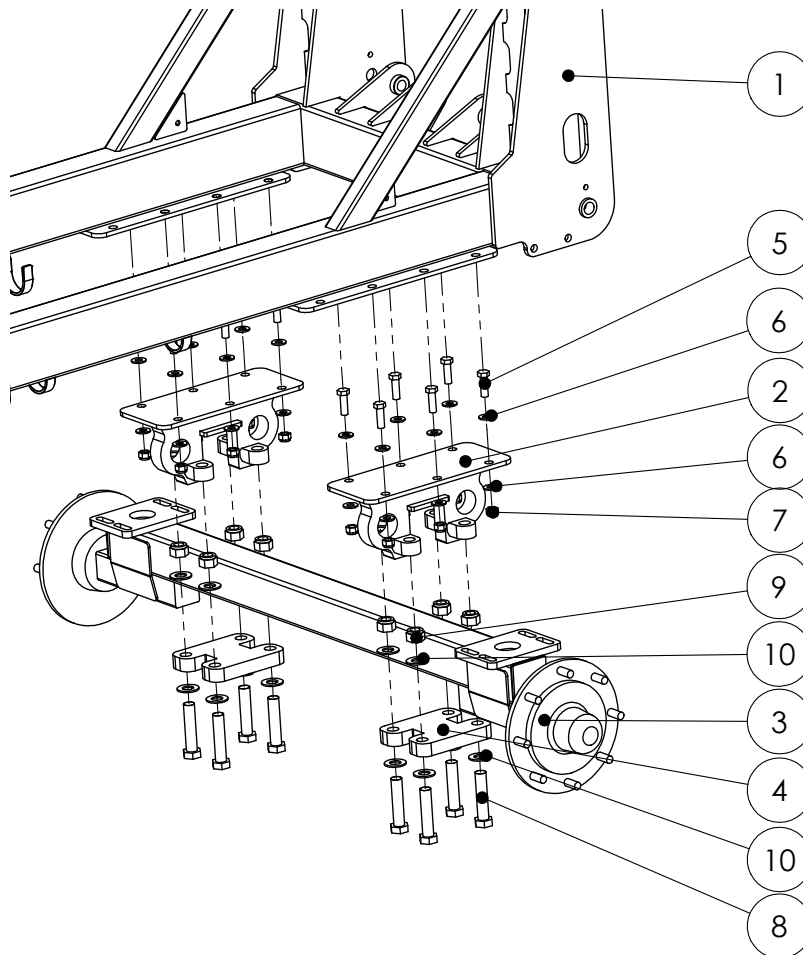


# Chapter 12

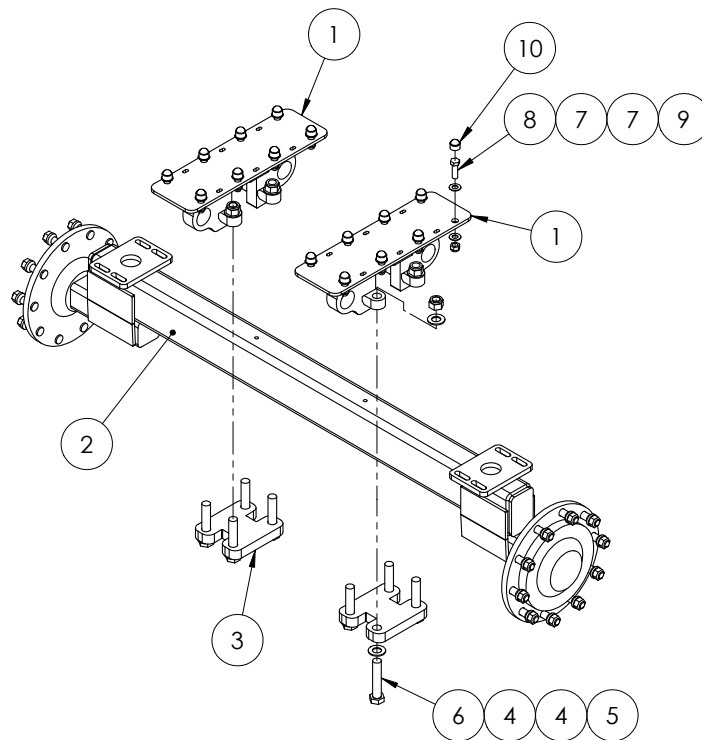
## WHEELS, AXLES & MUDGUARDS

### Axle Suit 3000L



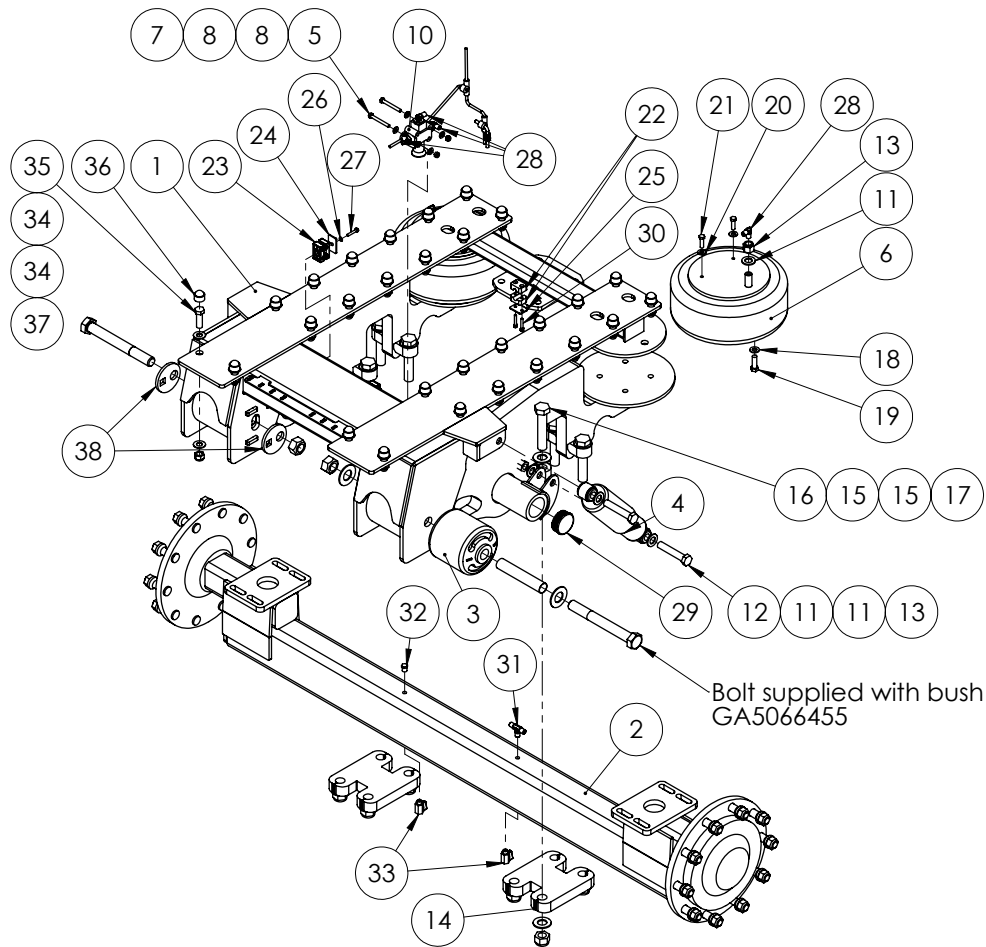
ITEM NO.	PART NUMBER	DESCRIPTION	QTY.
1	GA4657800	3000L EF Chassis to suit Paralift	1
2	GA4657845	Fixed Axle Carrier to suit 3000L	2
	GA4657820	1.6m Axle to suit 3000L	1
3	GA4657815	Axle, 1.8m, 8 stud, to suit 3000L (Standard Fitment)	1
	GA4657825	2.0m Axle to suit 3000L	1
4	GA4632050	Suspension narrow retainer (32mm FMS)	2
5	GA5000933	Set Screw M16 x 50 ZP GR8.8	12
6	GA5001043	Washer 16mm Flat SS HD	24
7	GA5001029	Nut M16 Nyloc ZP	12
8	GA5006149	Bolt 1" UNC x 4 1/2" ZP GR8	8
	GA5012439	Nut, Nyloc, 1" UNC, ZP	8
10	GA5017659	Washer, 1", Flat, ZP, Heavy duty (5mm thick)	16

# Rigid Axle



ITEM NO.	PART NUMBER	DESCRIPTION	QTY.
1	GA4652986	Axle carrier suit EF chassis	2
2	GA4656921	Axle EF Rigid 2000mm 10 Stud	1
	GA4656926	Axle EF Rigid 2050mm 10 Stud	
	GA4656931	Axle EF Rigid 2100mm 10 Stud	
	GA4656936	Axle EF Rigid 3000mm 10 Stud (with stiffener plates)	
3	GA4632050	Suspension narrow retainer (32mm FMS)	2
4	GA5017659	Washer, 1", Flat, ZP, Heavy duty (5mm thick)	16
5	GA5012439	Nut, Nyloc, 1" UNC, ZP	8
6	GA5006031	Bolt, 1"UNC x 5" ZP GR8	8
7	GA5001009	Washer 16mm Flat ZP Heavy Duty	32
8	GA5000931	Bolt M16 x 50 ZP GR8.8	16
9	GA5001029	Nut M16 Nyloc ZP	16
10	GA5075080	Hex nut protection cap suit M16, Black	16

# Air Bag Axle 4/5/6500lt



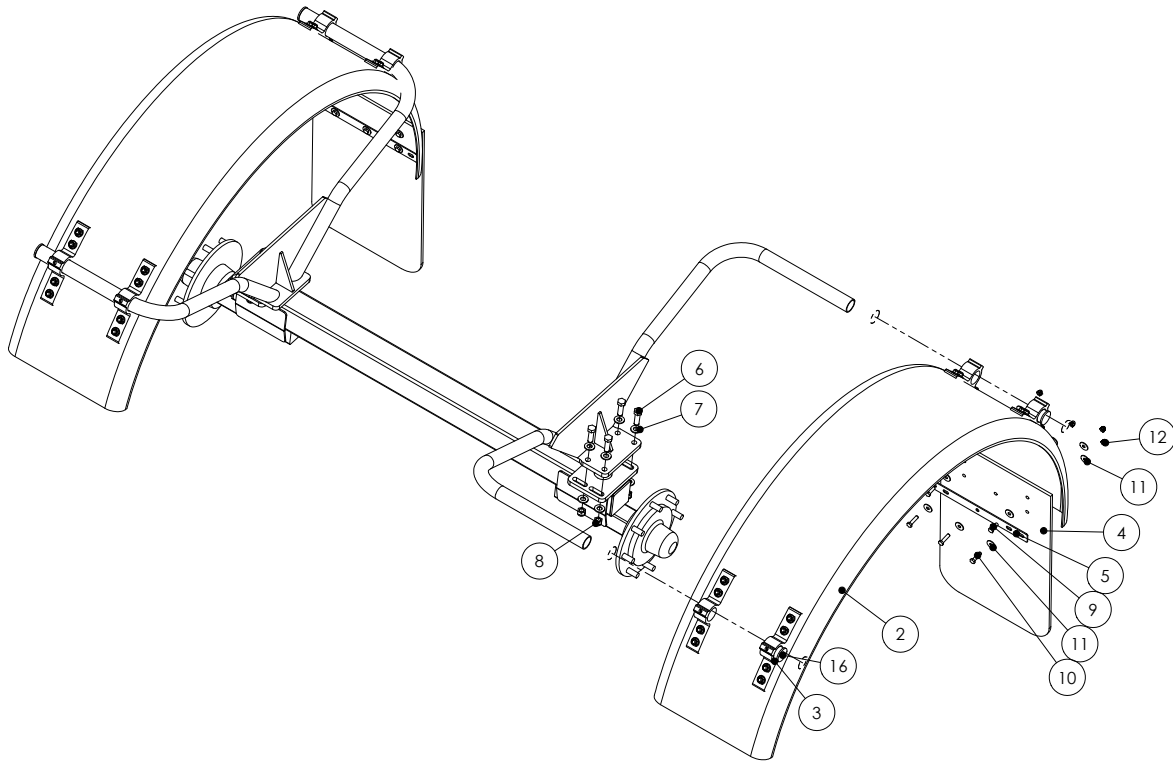
ITEM NO.	PART NUMBER	DESCRIPTION	QTY.
1	GA4652810	Axle airbag frame EF 1.8m to 3m	1
2	GA4656920	Axle EF Airbag 2000mm 10 Stud	1
	GA4656925	Axle EF Airbag 2050mm 10 Stud	
	GA4656930	Axle EF Airbag 2100mm 10 Stud	
	GA4656935	Axle EF Airbag 3000mm 10 stud (with stiffener plates)	
3	GA5071010	Bi-functional Bush, Trailing Airbag Suspension Frame, Includes Bolt, Nut and Sleeve	2
4	GA5015139	Shock Absorber, Double eye, 19mm eye, 82mm OD, Black	2
5	GA5004738	Bolt M8 x 70 ZP GR8.8	2
6	GA5005311	Air spring, HT230 single air stud	2
7	GA5004917	Nut M8 Nyloc ZP	2
8	GA5003643	Washer 8mm Flat SS Heavy Duty	4
9	GA5001045	Washer, 3/4", Flat ZP	1
10	GA5010868	Ride height valve, 1/4" connecting rods	1
11	GA5001739	Washer 20mm Flat Heavy Duty SS	13
12	GA5049490	Bolt 3/4" UNC x 4" ZP GR8	4
13	GA5048430	Nut, Nyloc, 3/4" UNC, ZP	6

## Air Bag Axle

ITEM NO.	PART NUMBER	DESCRIPTION	QTY.
14	GA4632050	Suspension narrow retainer (32mm FMS)	2
15	GA5017659	Washer, 1", Flat, ZP, Heavy duty (5mm thick)	16
16	GA5006031	Bolt, 1"UNC x 5" ZP GR8 (2050mm Axles)	8
	GA5006151	Bolt 1"UNF x 8" x 12 TPI ZP GR8 (3000mm Axles)	
17	GA5012439	Nut, 1" UNC, Nyloc ZP (2050mm Axles)	8
	GA5012445	Nut, 1" UNF 14 tpi Nyloc ZP (3000mm Axles)	
18	GA5017673	Washer 1/2" High Tensile	8
19	GA5068715	Bolt, 1/2"UNC x 1 1/2" GR8.8 ZP	8
20	GA5017623	Washer 3/8" Flat ZP Heavy Duty	4
21	GA5002599	Set screw, 3/8"UNC x 1 1/4", SS	4
22	RCS-14J	Single Clamp Jaws PP Gr3 14mm	4
23	RCD-14J	Double Clamp Jaws PP Gr 2 14mm	4
24	RCD-2PT	Double Clamp Plate Top GR2	2
25	RCS-2PT	Single Clamp Top Plate grp 2	2
26	GA5004447	Washer, 6mm, Spring, SS	2
27	GA5011405	Bolt M6 x 35 ZP GR8.8	2
28	S49-0404	Hydraulic coupling, Elbow, 90 degree, 1/4" BSPT male x 1/4" BSPT male	5
29	GA5051366	End cap, 63.5 mm round, 1.25 - 2.0mm wall, black plastic	2
30	GA5011425	SHCS M6 x 35 SS GR304	4
31	S50-040404	Hydraulic adaptor, Tee, 1/4" BSP male x 1/4" BSP male x 1/4" BSP male	1
32	GA5069335	Plug, 1/4" BSPT male thread, Brass	1
33	GA5018323	Valve, Ball, 1/4" male / female thread inlet / outlet, SS, Lever handle	2
34	GA5001009	Washer 16mm Flat ZP Heavy Duty	56
35	GA5000931	Bolt M16 x 50 ZP GR8.8	28
36	GA5075080	Hex nut protection cap suit M16, Black	28
37	GA5001029	Nut M16 Nyloc ZP	28
38	GA4524630	Plate Alignment Eccentric Air bag	2

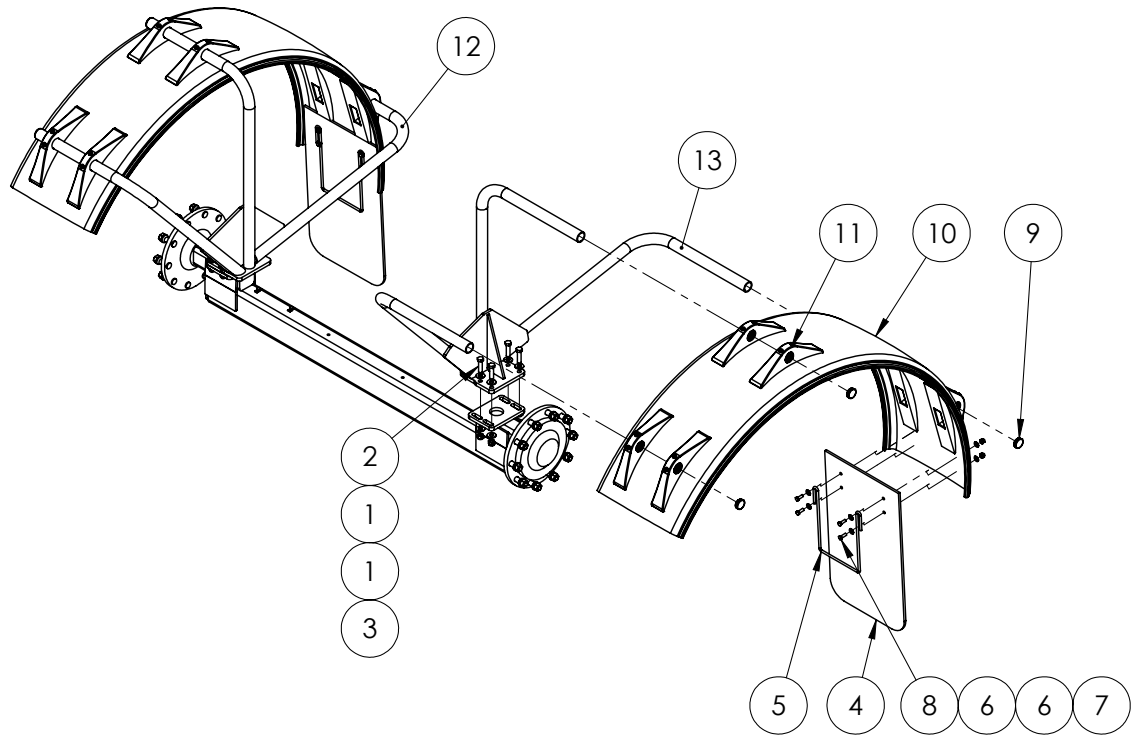
Note: Rubber tee suit ride height levelling valve - GA5014651

# Mudguards Suit 3000L



ITEM NO.	PART NUMBER	DESCRIPTION	QTY.
1	GA4657865	Mudguard Bracket to suit 3000L EF	2
2	GA5003453	Mudguard 470W x R900	2
3	GA5020450	Bracket, Plastic, Black, Mudguard mounting, BK-P300BK1	8
4	GA5011949	Mudflap Goldacres green /gold 450 old style	2
5	GA4502725	Stiffner for mudguard flaps	2
6	GA5000931	Bolt M16 x 50 ZP GR8.8	8
7	GA5001043	Washer 16mm Flat SS HD	16
8	GA5001029	Nut M16 Nyloc ZP	8
9	GA5065455	Bolt M10 x 30 ZP GR8.8	4
10	GA5006055	Bolt M10 x 40 ZP GR8.8	6
11	GA5002627	Washer, 3/8" ID x 1 1/8" OD, High Tensile	20
12	GA5011131	Nut M10 Dome nut Chrome	10

# Mudguards Suit 4/5000L



ITEM NO.	PART NUMBER	DESCRIPTION	QTY.
1	GA5001043	Washer 16mm Flat SS HD	16
2	GA5000939	Bolt M16 x 60 Black GR8.8	8
3	GA5001029	Nut M16 Nyloc ZP	8
4	GA5011949	Mudflap Goldacres green /gold 450 old style	2
5	GA5075070	Bracket, Mud guard anti sail, Black	2
6	GA5002565	Washer, 3/8" ID x 1" OD, Flat SS	16
7	GA5011133	Nut M10 Dome nut SS	8
8	GA5006145	Bolt M10 x 30 SS A2-70	8
9	GA5003925	End cap, 45 mm round, Black plastic	6
10	GA5066976	Mudguard Dunloflex 510W x R1010 (R51.265)	2
	GA5004263	Mudguard 630W x R1000	
11	GA5066977	Mudguard Bracket Dunloflex suit 48.3mm pipe (H50.660)	12
12		Refer to tables over page for mudguard bracket part numbers	1
13			1

Continued over page

# Mudguards

---

## 32" Wheels, Air Bag Axle

Part No	Description
GA4900591-EF-NS-32	Mudguards kit 32" to suit airbag suspension
GA4655078	Mudguard bkt 38" RH EF rigid
GA4655079	Mudguard bkt 38" LH EF rigid

## 38" Wheels, Air Bag Axle

Part No	Description
GA4900591-EF-NS-38	Mudguards kit 38" to suit EF with airbag suspension
GA4655078	Mudguard bkt 38" RH EF airbag
GA4655079	Mudguard bkt 38" LH EF airbag

## 38" Wheels, Rigid Axle

Part No	Description
GA4900591-P-EF-R	Mudguards kit 38" to suit EF with rigid axle
GA4655082	Mudguard bkt 38" RH EF non airbag
GA4655083	Mudguard bkt 38" LH EF non airbag

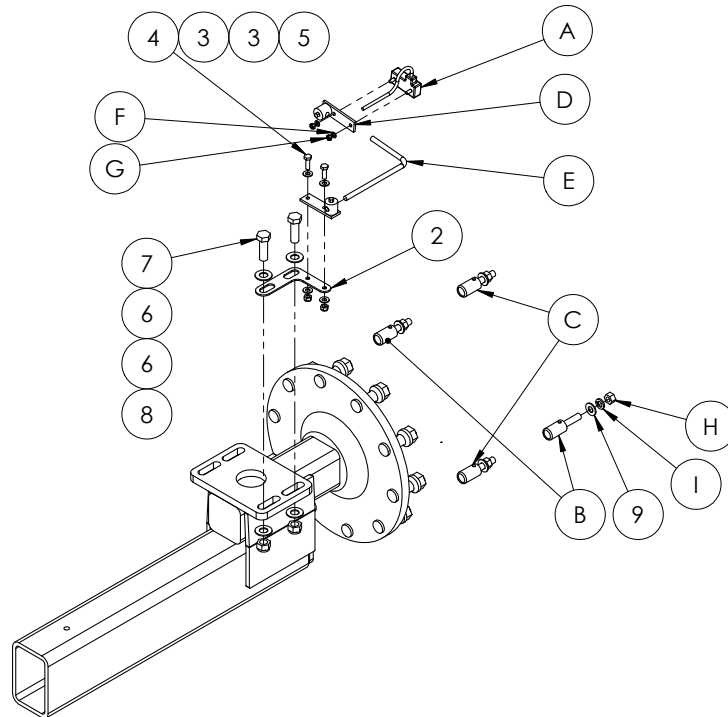
## 42" Wheels, Air Bag Axle

Part No	Description
GA4900591-EF-NS-42	Mudguards kit 42" to suit EF with airbag suspension
GA4655076	Mudguard bkt 42" RH EF airbag
GA4655077	Mudguard bkt 42" LH EF airbag

## 42" Wheels, Rigid Axle

Part No	Description
GA4900591-P-EF-R-42	Mudguards kit 42" to suit EF with rigid axle
GA4655088	Mudguard bkt 42" RH EF non airbag
GA4655089	Mudguard bkt 42" LH EF non airbag

# Wheel Speed Sensor



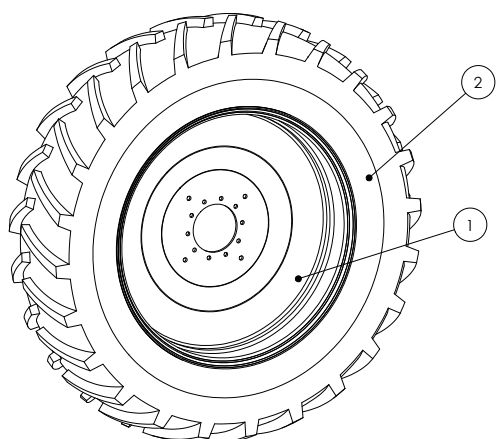
0630171152 Wheel speed sensor kit

ITEM NUMBER	PART NUMBER	DESCRIPTION	QTY.
A	0630171149	Sensor; Wheel Drive Speed with 7 1/2' Cable, Raven	1
B	0630159402	Magnet, Red North Pole Speed Sensor Assembly, Raven	2
C	0630159403	Magnet, Black South Pole Speed Sensor Assembly, Raven	2
D	0630159483	Sensor; Turret Assembly Speed Sensor; Raven	2
E	1070159472	Rod, Speed Sensor; Raven	1
F	3131000016	Washer 1/4" lock split zinc	2
G	3121001031	Nut 1/4" - 20 hex ZP	2
H	3121001043	Nut 1/2" - 13 hex ZP	
I	3131000028	1/2" lock washer	4

ITEM NUMBER	PART NUMBER	DESCRIPTION	QTY.
1	0630171152	Sensor; Speed 4 Pole Wheel Drive with 7 1/2' Cable Kit, Raven	1
2	GA4534520	Speed Sensor Tab Bolt On	1
3	GA5004883	Washer 8mm Flat ZP Heavy Duty	4
4	GA5004711	Bolt M8 x 25 ZP GR8.8	2
5	GA5004917	Nut M8 Nyloc ZP	2
6	GA5001009	Washer 16mm Flat ZP Heavy Duty	4
7	GA5000931	Bolt M16 x 50 ZP GR8.8	2
8	GA5001029	Nut M16 Nyloc ZP	2
9	GA5017615	Washer 1/2" Flat ZP Heavy Duty	4



# Wheels



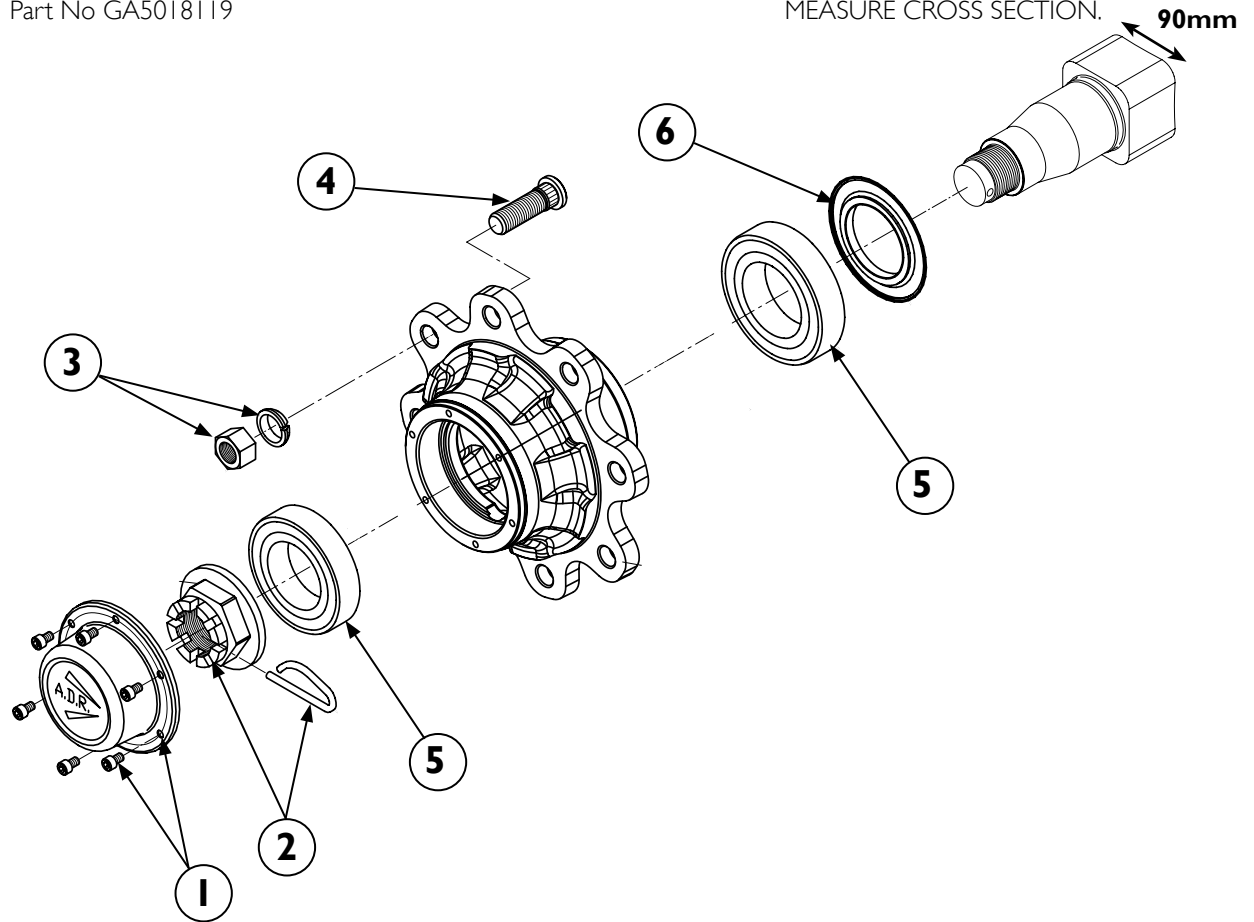
Please note wheels are fitted as a left and right hand pair. So when ordering complete wheel and tyre unit, please note on the order which side is required. Rims are supplied painted and with speed sensor holes.

16.9 x 34 wheels		
Item	Part number	Description
1	GA5020685	Wheel DW15 x 34", 8 studs on 275 Zero Offset
2	GA5016337	Tyre 16.9 x 34 10PR tyre & tube
18.4 x 38 wheels		
Item	Part number	Description
1	GA5018820	Wheel DW 15 x 38", 10 Stud 0 offset
2	GA5001108	Tyre 18.4 x 38 (16 Ply)
20.8 x 42 wheels		
Item	Part number	Description
1	GA5020340	Wheel DW18 x 42", 10 Stud on 335 0 offset
2	GA5020830	Tyre, 20.8 x 42 (16 Ply) TLR
24.5 x 32 wheels		
Item	Part number	Description
1	GA5018814	Wheel DW 21 x 32", 10 Stud on 335 0 offset
2	GA5001837	Tyre 24.5 x 32 (16 Ply)
20.8 x 42 wheels		
Item	Part number	Description
1	GA5020340	Wheel DW18 x 42", 10 Stud on 335 0 offset
2	GA5020831	Tyre, 20.8 x 42 Radial 520/85
20.8 x 42 wheels		
Item	Part number	Description
1	GA5020340	Wheel DW18 x 42", 10 Stud on 335 0 offset
2	GA5050381	Tyre 580 /70R x 42 Radial
Wheel Nuts		
Part number	Description	
GA5018892	Wheel nut, M22 x 1.5mm, ZP	
GA5018900	Tapered spring Washers suit M22 wheel stud (329F003)	

# Hub - 90 Series

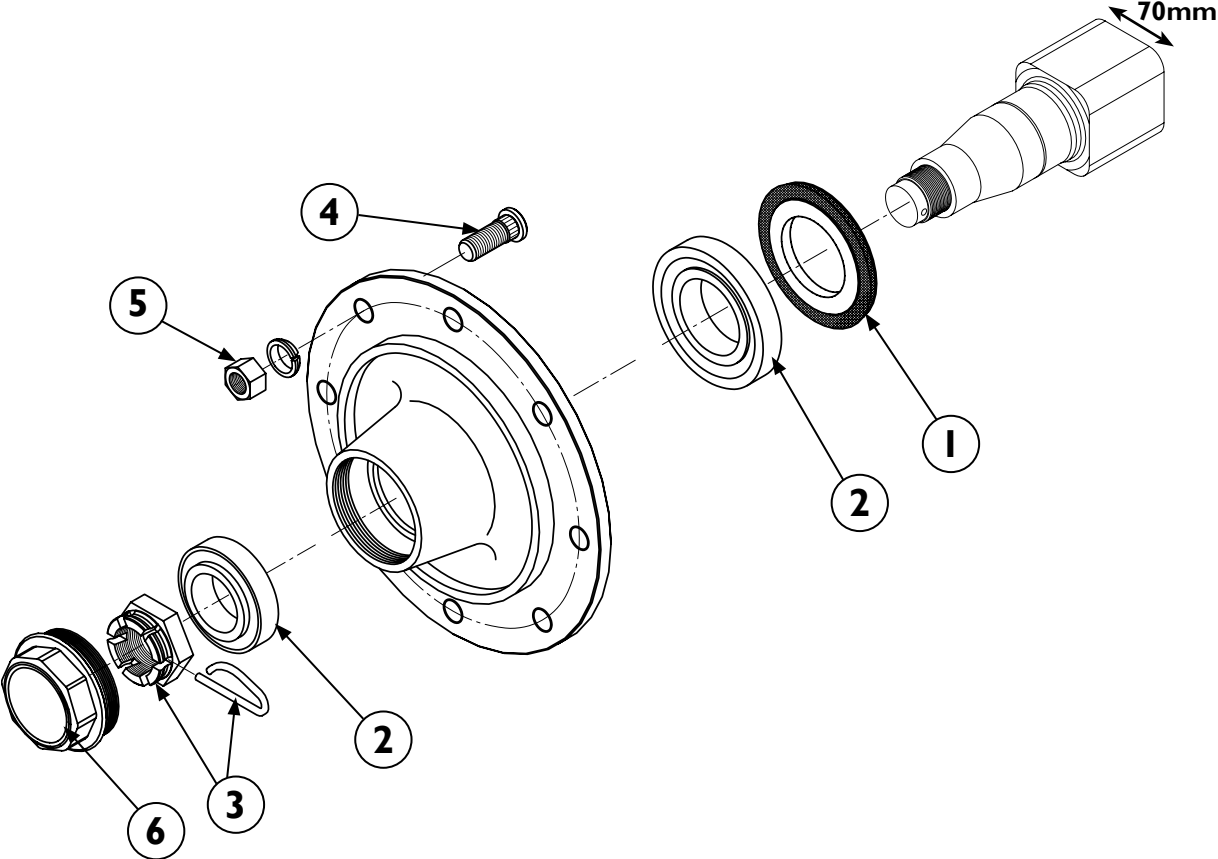
Complete 90 Series Hubs/Stub Axles Available  
Part No GA5018119

TO DETERMINE SIZE/SERIES,  
MEASURE CROSS SECTION.



ITEM NO.	PART NUMBER	DESCRIPTION	QTY.
1	GA5052120	Cap kit, Suit 90 series stub axle, ADR	1
2	GA5052190	Crown Nut Kit 80/90 Series ADR	1
3	GA5052165	Wheel nut kit, Suit 90 / 110 series stub axle, ADR	1
4	GA5052205	Stud Wheel Kit t/s 90 Series ADR (set of 10)	1
5	GA5052200	Bearing kit, Suit 90 Series stub axle	1
6	GA5052195	90 Series ADR Seal Kit	1

# Hub - 70 Series



ITEM NO.	PART NUMBER	DESCRIPTION	QTY.
1	GA5066406	Seal, Heavy duty, Suit 70 series axle, ADR	1
2	GA5052105	70 Series ADR Bearing Kit	1
3	GA5052115	70 Series ADR Crown Nut Kit	1
4	GA5018894	Wheel stud, Suit 60, 70 & 80 series axles	1
5	GA5018891	Wheel nut, Suit 60, 70 & 80 series axles	1
6	GA5052110	70 Series ADR Cap kit	1

