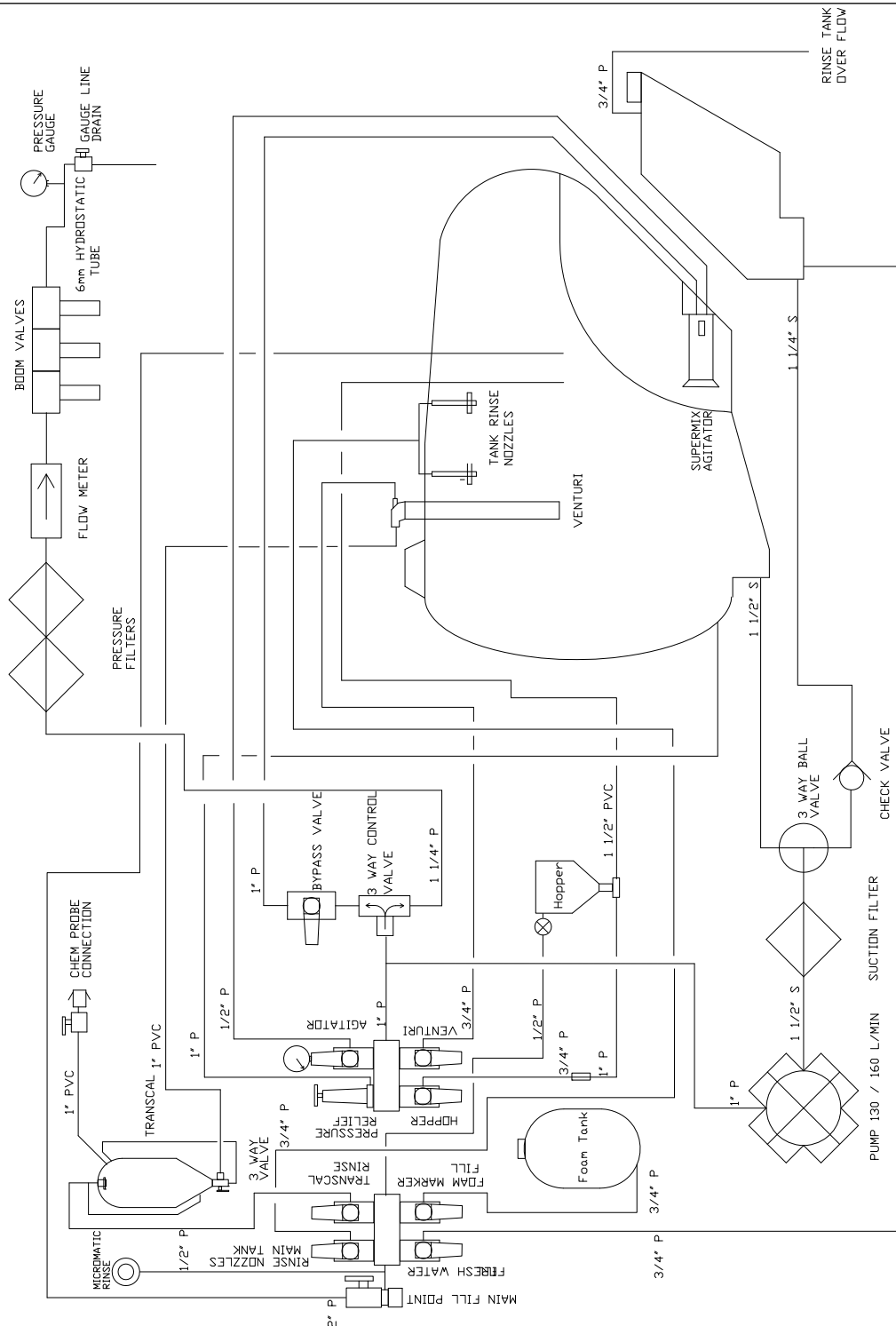


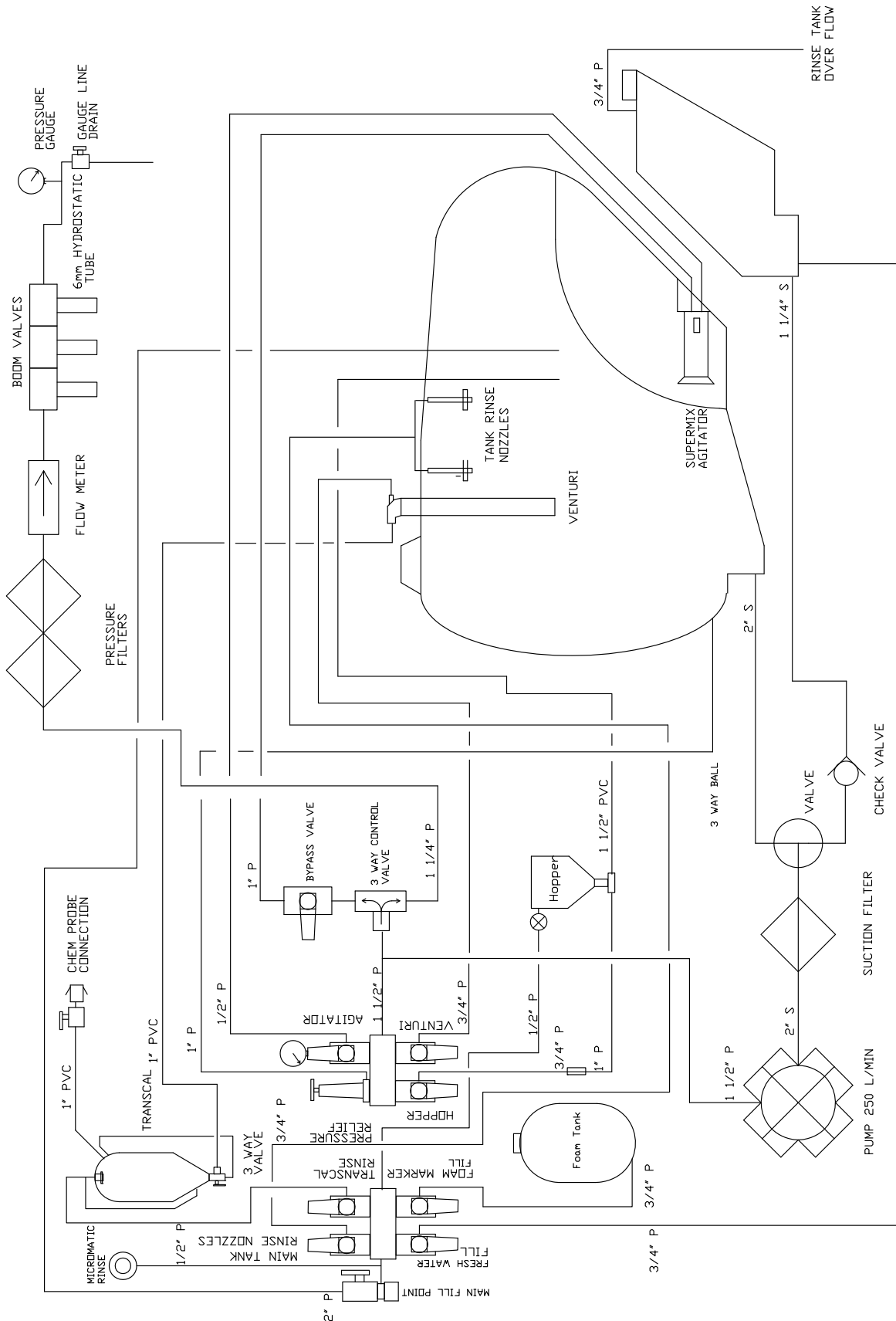
Chapter 16

SCHEMATICS

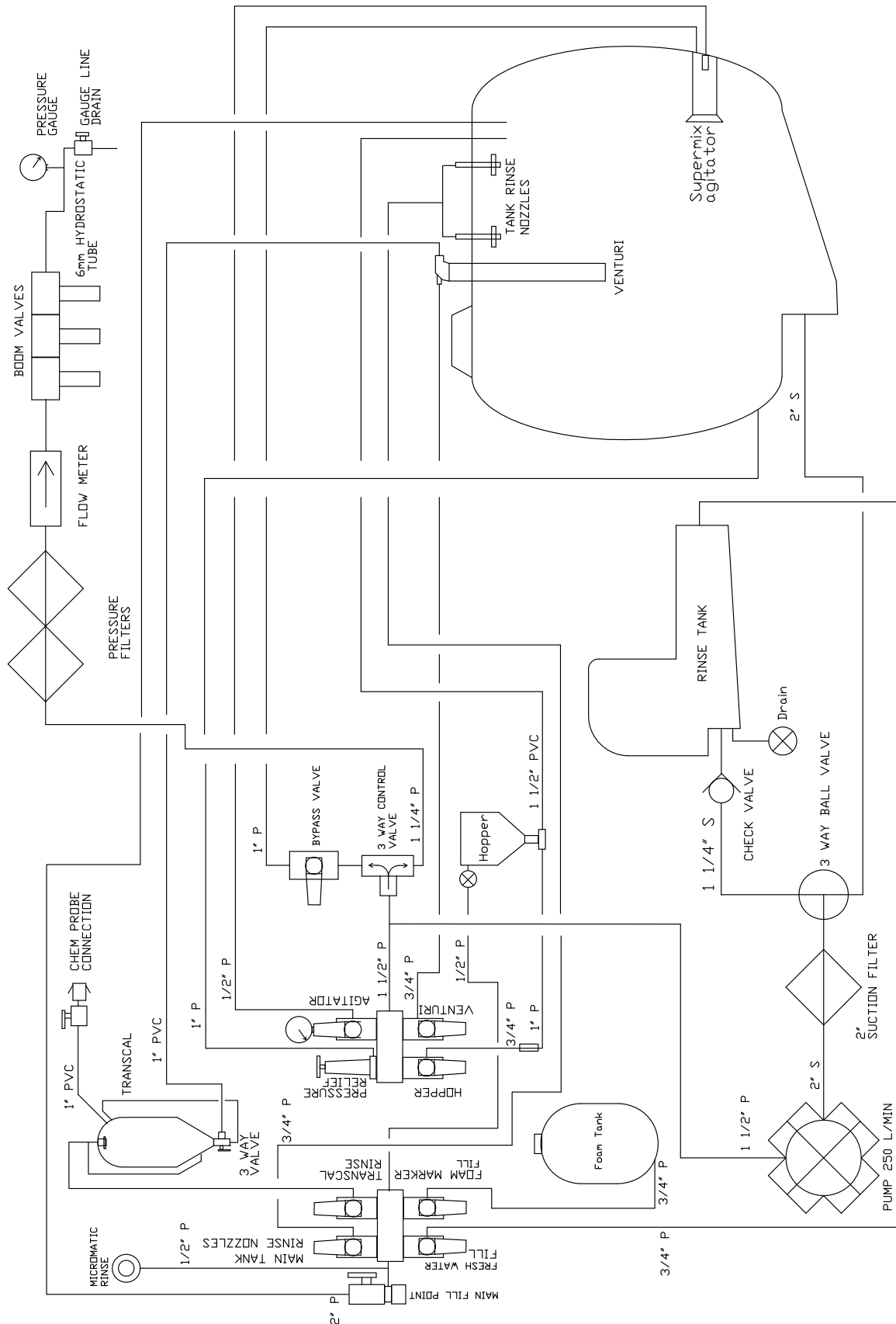
3000L Plumbing



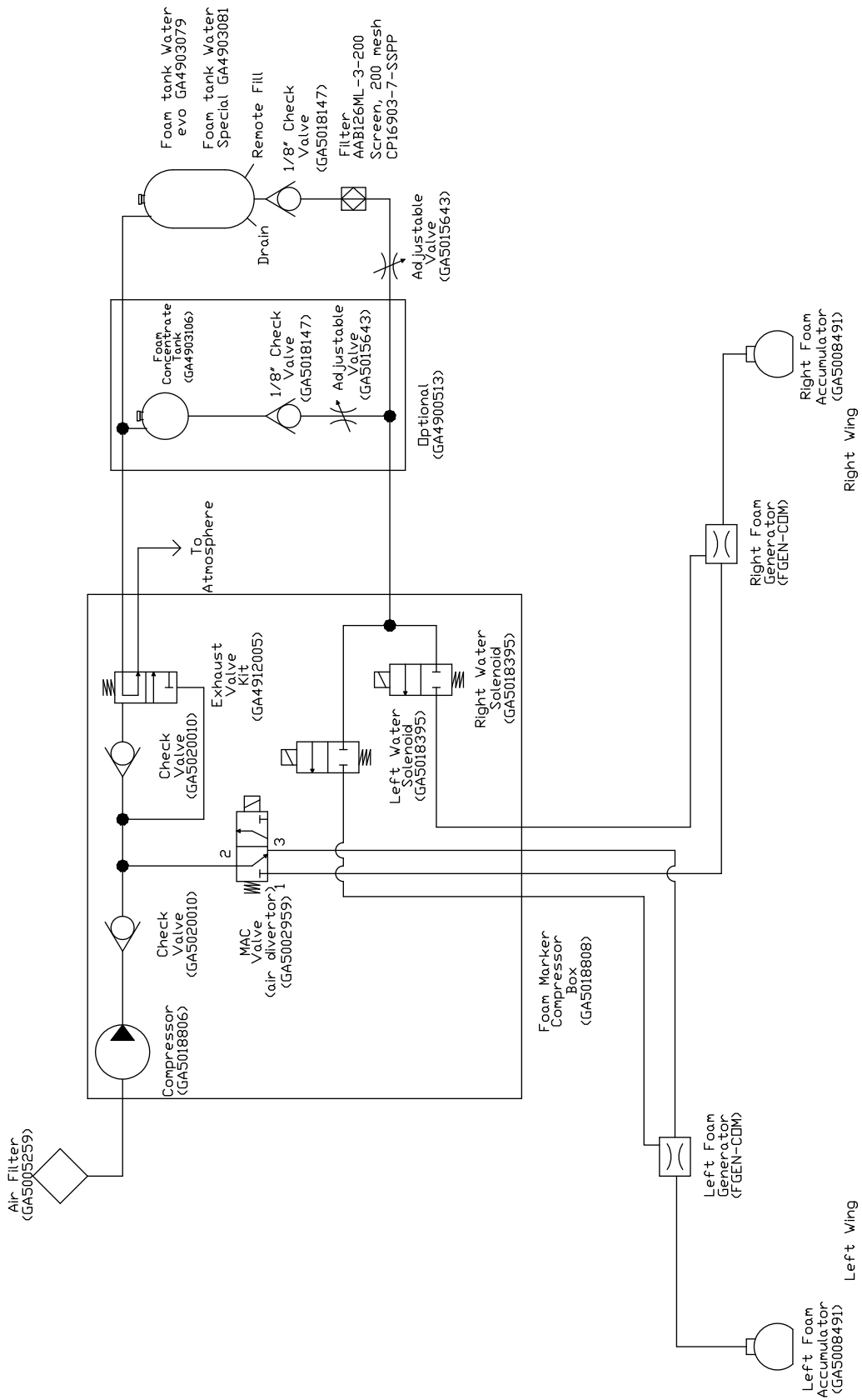
3000L Plumbing with 260 pump



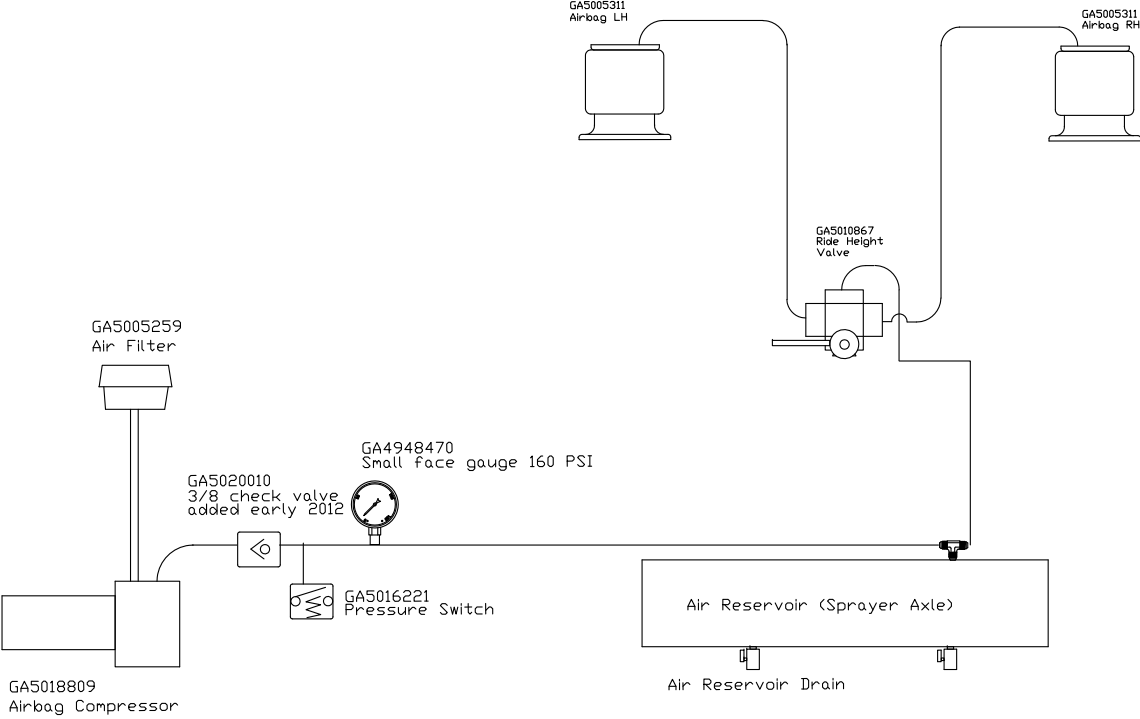
4/5000L Plumbing with 260 pump



Exacta Foam Marker Plumbing



Pneumatic Schematic



Electrical Layout

