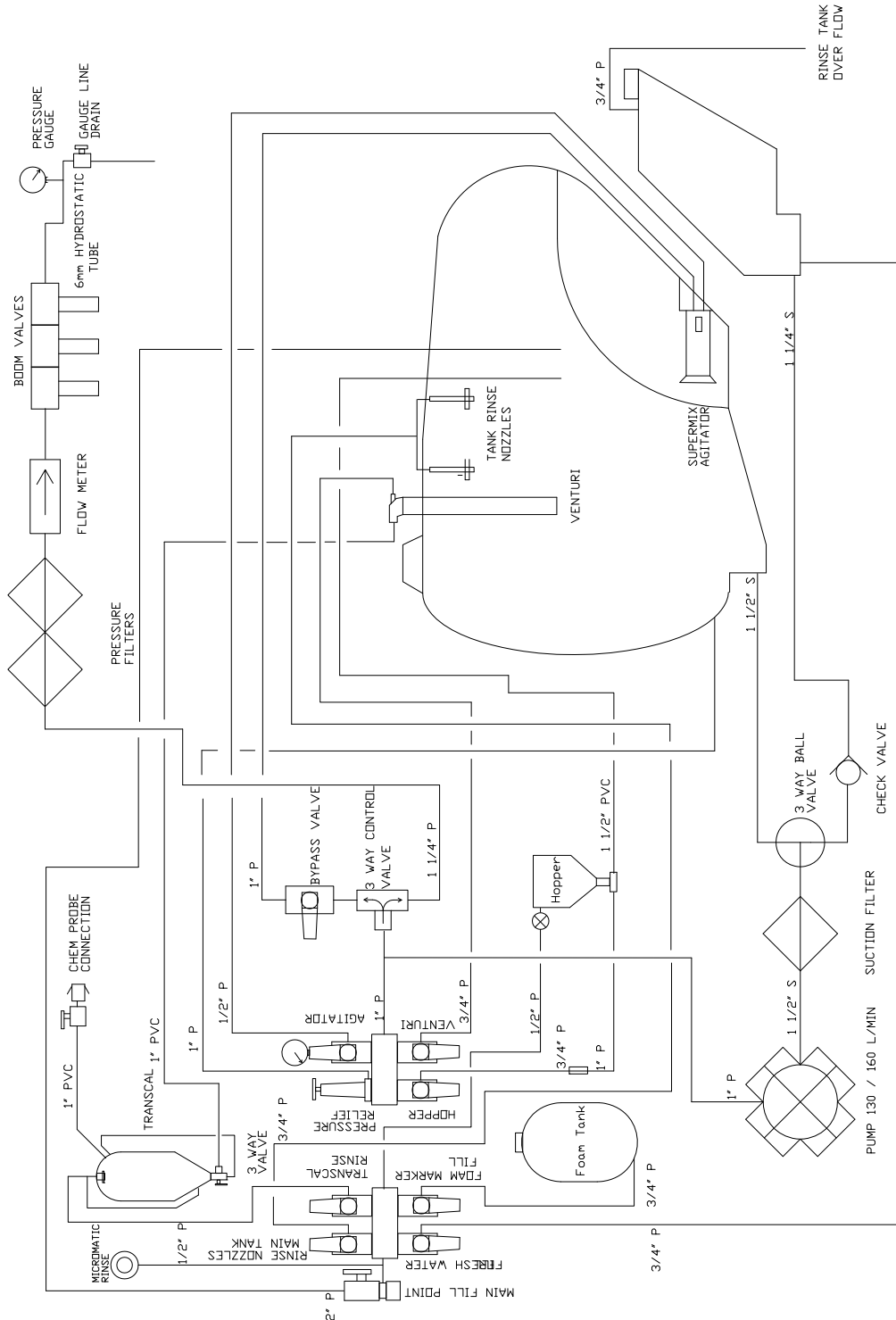


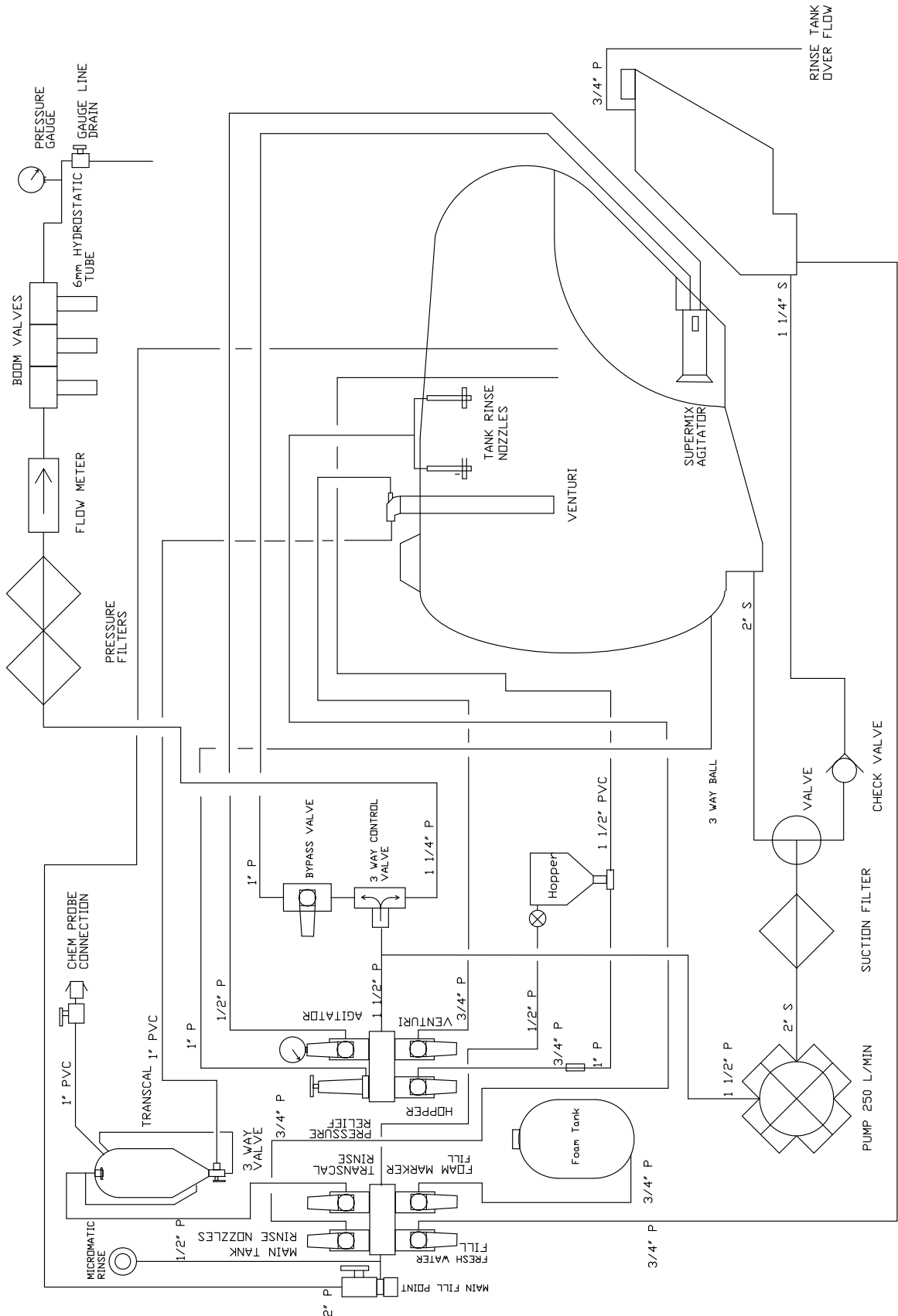
# Chapter 16

## SCHEMATICS

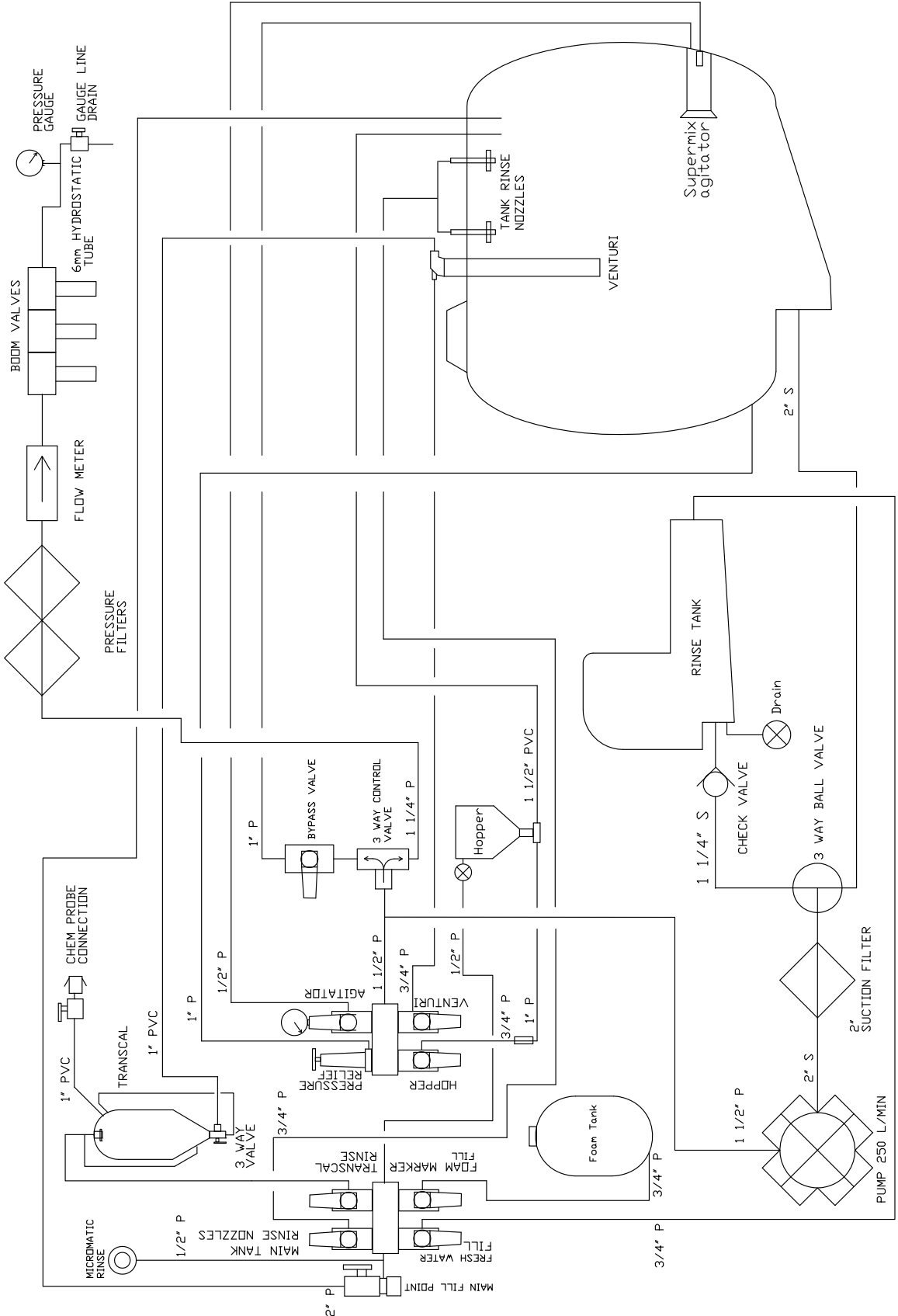
### 3000L Plumbing



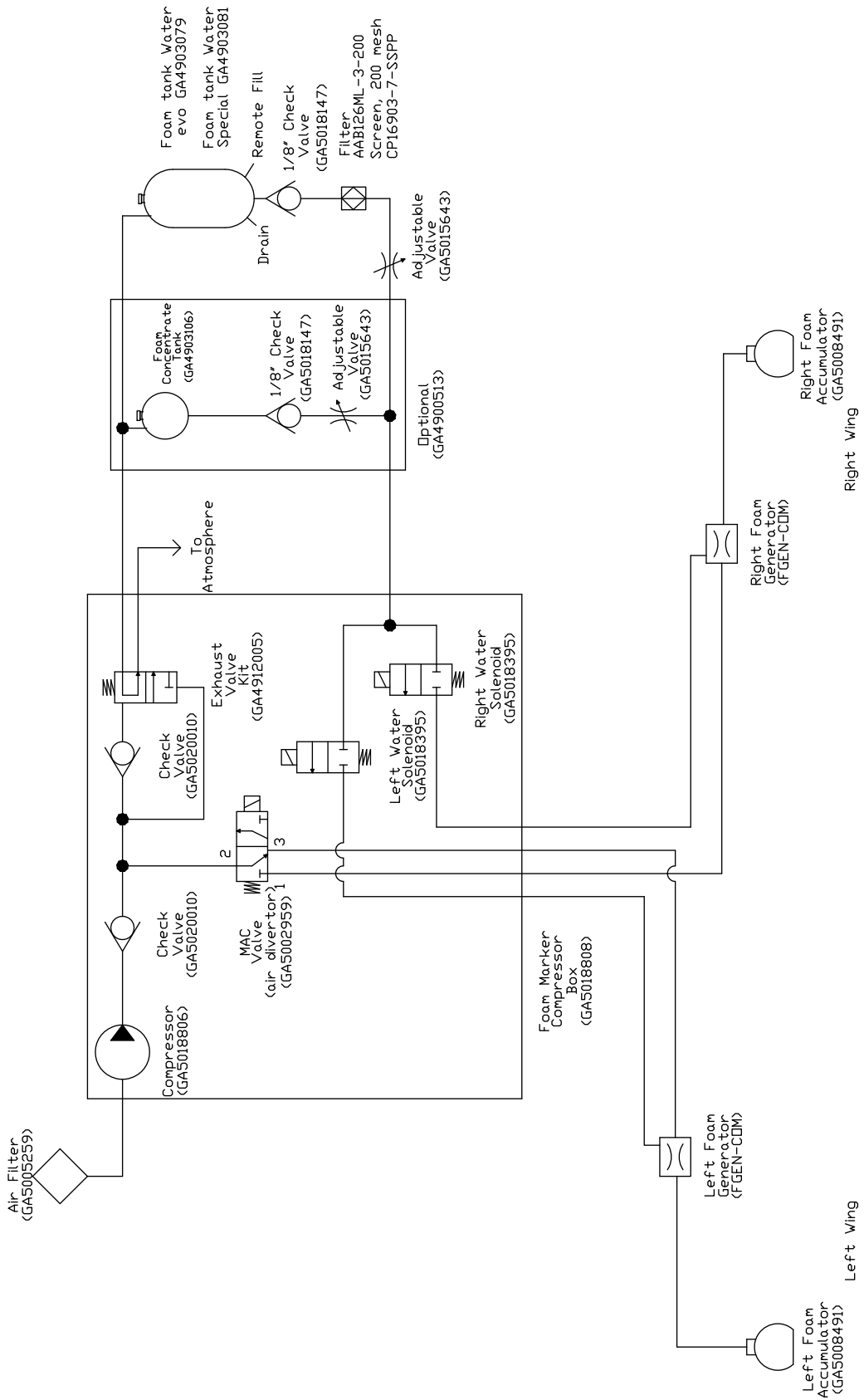
# 3000L Plumbing with 260 pump



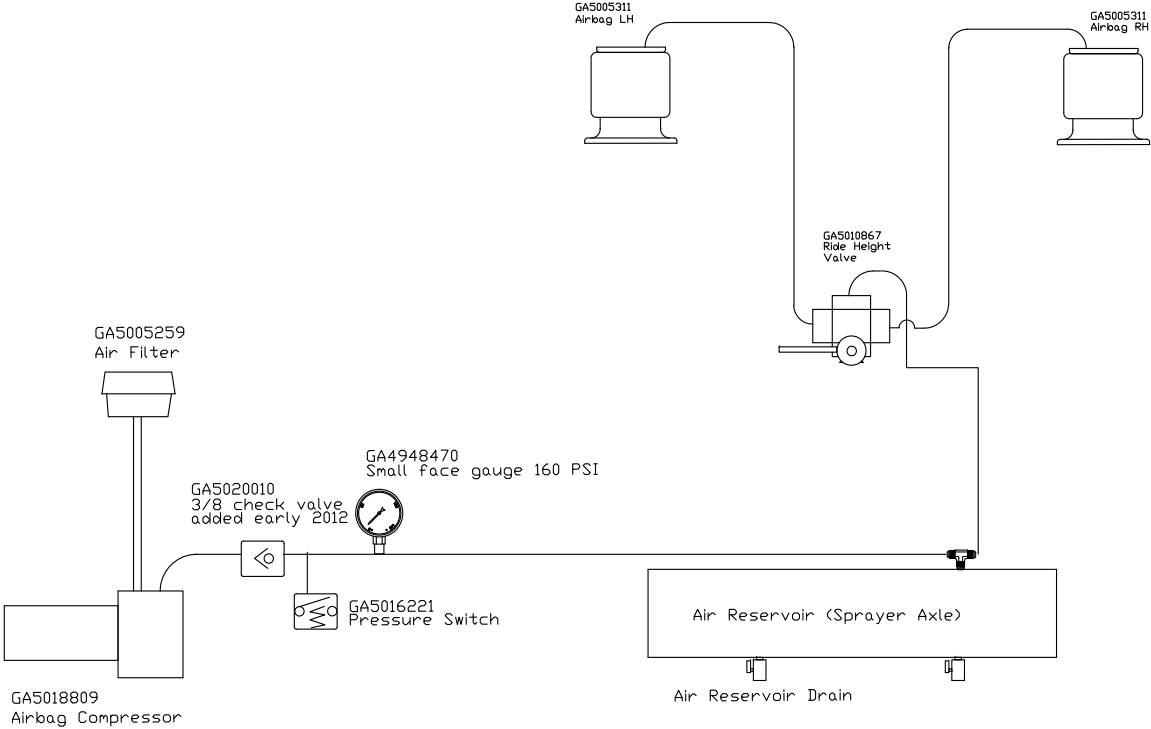
# 4/5000L Plumbing with 260 pump



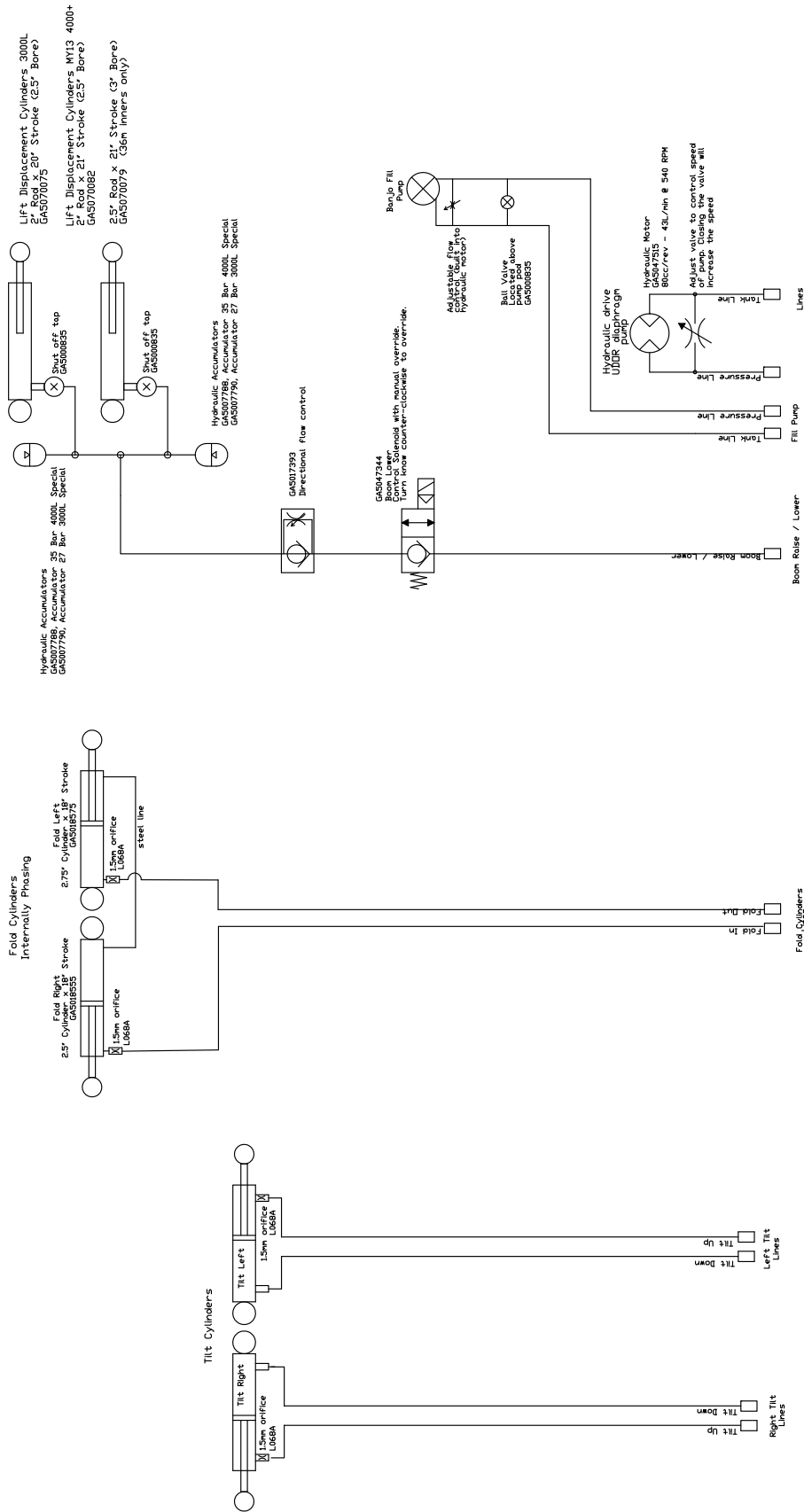
# Exacta Foam Marker Plumbing



# Pneumatic Schematic



# Hydraulic Schematic



# Electrical Layout

