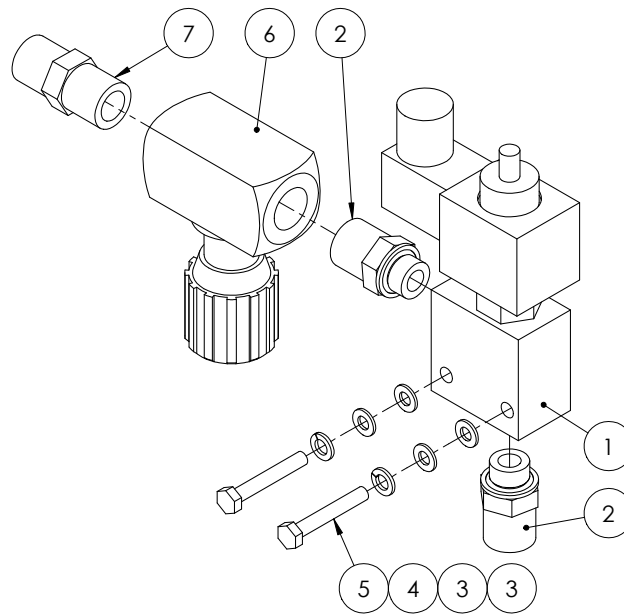


Chapter 18

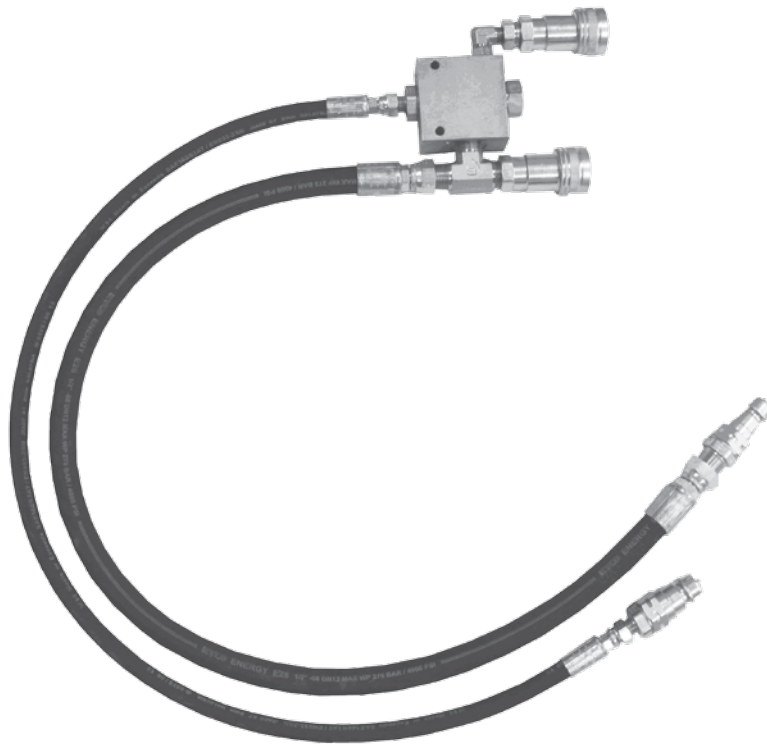
HYDRAULICS

Boom Lower Solenoid



ITEM NO.	PART NUMBER	DESCRIPTION	QTY.
1	GA5047344	Hydraulic Solenoid Boom Lower Limit Cartridge and Body	1
2	S75-0806	Hydraulic adaptor, Nipple, 1/2" BSP male x 3/8" BSP male with o-ring	2
3	GA5004437	Washer 6mm Flat SS	4
4	GA5004447	Washer, 6mm, Spring, SS	2
5	GA5004081	Bolt M6 x 40 ZP GR8.8	2
6	GA5017393	Valve speed control 1/2" offset	1
7	S27-0808	Hydraulic adapter, Nipple, 1/2" BSP male x 1/2" BSP male	1

Load Sense Turbo Valve



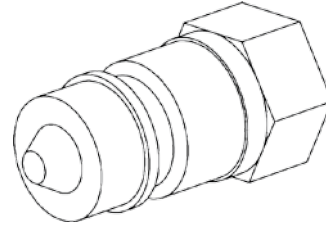
GA4902590 Complete Assembly

ITEM NO.	PART NUMBER	DESCRIPTION	QTY.
	GA5047677	Load sense turbo valve	1
	R81-08M	Quick connect fitting, 1/2" male tip x 1/2" female thread	2
	R81-08P	08 BSPPF FQRC/Poppet/Psh.PII	2
	S75-0408	Hydraulic adaptor; Nipple, 1/4" BSPT male x 1/2" BSPP o-ring male	2
	S50-080808	Hydraulic adaptor; Tee, 1/2" BSPT male x 1/2" BSPT male x 1/2" BSPT male	1
	T202-0808	Hydraulic coupling, 1/2" hose x 1/2" BSP female swivel	2
	T202-0404	Hydraulic coupling, Straight, 1/4" BSP female thread x 1/4" hose crimp	2
	S75-0808	Hydraulic adaptor; Nipple, 1/2" BSPT male x 1/2" BSPP male with o-ring	1
	S77-0404	Hydraulic adapter; Elbow, 90 degree, 1/4" BSPT male x 1/4" BSPT male o-ring	1
	S24-0804	Hydraulic adaptor; Reducing bush, 1/2" BSPT male x 1/4" BSPT female	1
	868AA012000WOORL	Hydraulic hose, 1/2", Flexor R2AT08	1
	GA5049695	Hose, Hydraulic, 1/4", 2 wire, Black	1

Quick Release Couplings

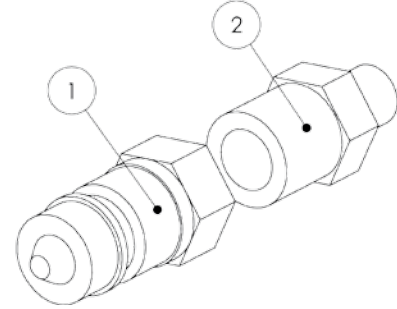
1/2" Hydraulic Lines

ITEM	PART NO	DESCRIPTION
1	R81-08M	Quick connect fitting, 1/2" male tip x 1/2" female thread



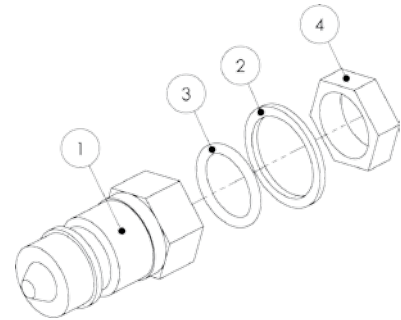
1/4" Hydraulic Lines

ITEM	PART NO	DESCRIPTION
1	R81-08M	Quick connect fitting, 1/2" male tip x 1/2" female thread
2	S27-0804	Hydraulic adaptor, Nipple, 1/2" BSP x 1/4" BSP



Hydraulic Pump Lines

ITEM	PART NO	DESCRIPTION
1	R81-08M	Quick connect fitting, 1/2" male tip x 1/2" female thread
2	36B-08	Ring Retaining BSPP 1/2"
3	RO-BP08	1/2" Hydraulic O-Ring
4	35B-08	1/2" BSPP Lock Nut

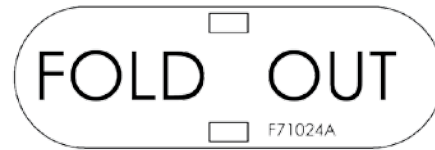
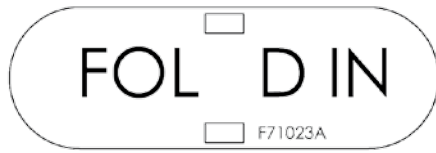


Note: Plastic Cover for when fittings are not in use is available Part No: GA5052365

Hydraulic Hoses

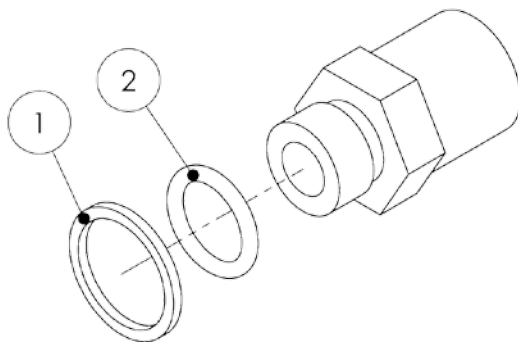
PART NO	DESCRIPTION
GA5067925	1/4" Hydraulic Hose, Tractor to fold cylinders
GA5067930	1/2" Hydraulic Hose, Tractor to Boom Lower Solenoid
GA5067940	1/2" Hydraulic Hose, Accumulator manifold to lift cylinders
GA5067945	1/4" Hydraulic Hose, Tractor to tilt cylinders

Hose ID Tags



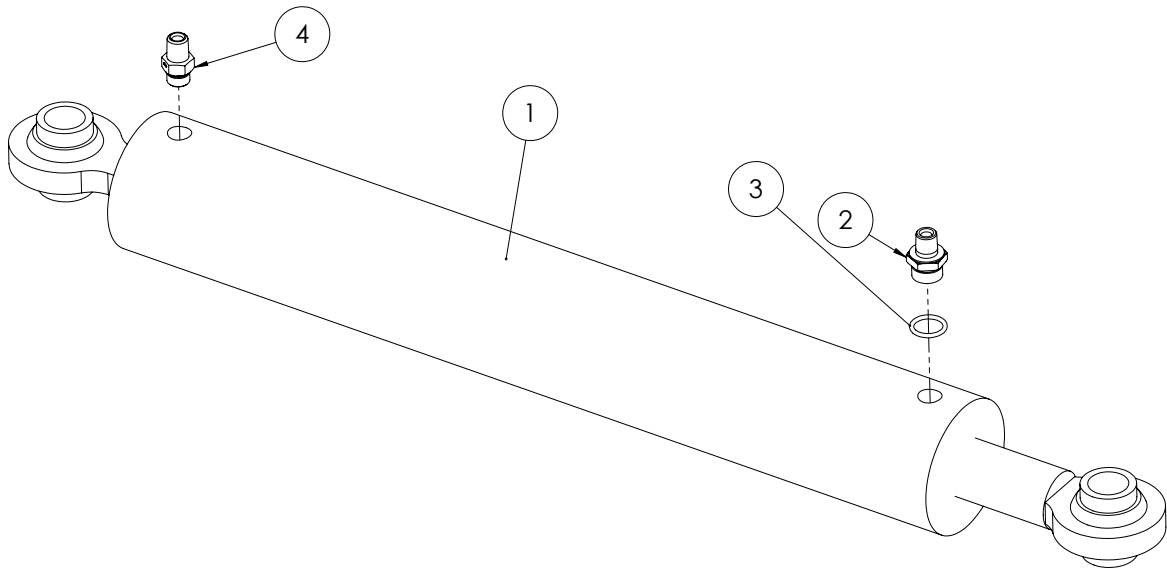
PART NO	DESCRIPTION
F71023A	ID Tag for Fold In
F71024A	ID Tag for Fold Out
F71025A	ID Tag for Boom Raise/Lower
F70134A	ID Tag for Left Hand Tilt
F70135A	ID Tag for Right Hand Tilt
F71018A	ID Tag for BiFold In
F71019A	ID Tag for BiFold Out
F71020A	ID Tag for Pressure
F71021A	ID Tag for Tank
F71022A	ID Tag for Load Sense
F71026A	ID Tag for Brakes

Hydraulic O-Rings and Retaining Washers



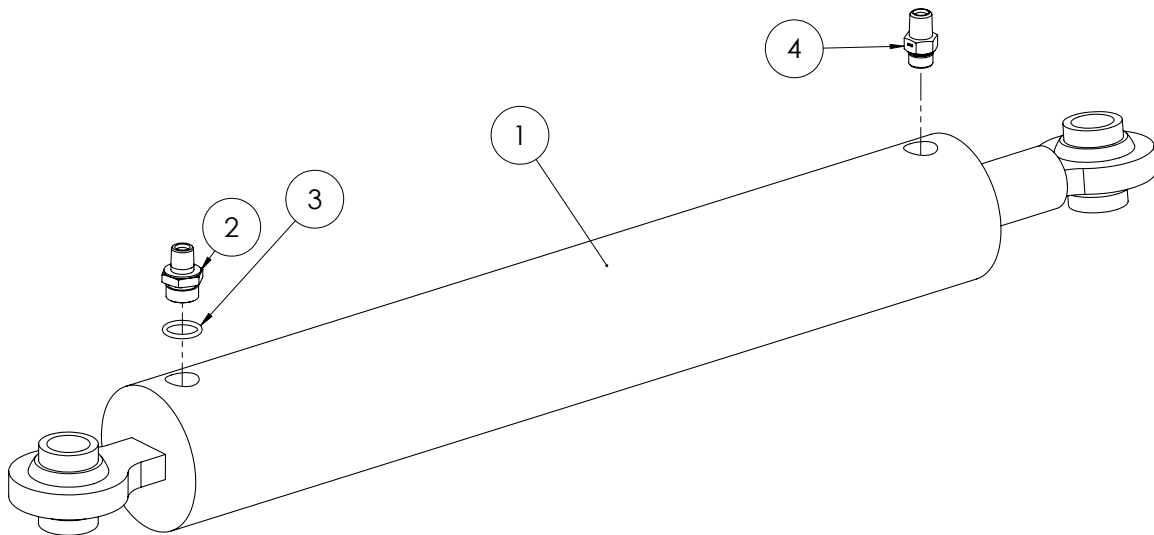
ITEM	PART NO	DESCRIPTION
1	36B-04	Ring Retaining 1/4" BSPP
	36B-06	Ring Retaining BSPP 3/8"
	36B-08	Ring Retaining BSPP 1/2"
	36B-12	Retaining Ring BSPP 3/4"
2	RO-BP04	O-Ring BSPP 1/4"
	RO-BP06	O-Ring 3/8" BSPP
	RO-BP08	O-Ring BSPP 1/2"
	RO-BP12	O-Ring BSPP 3/4"

Delta Hydraulic Cylinder - Fold RH



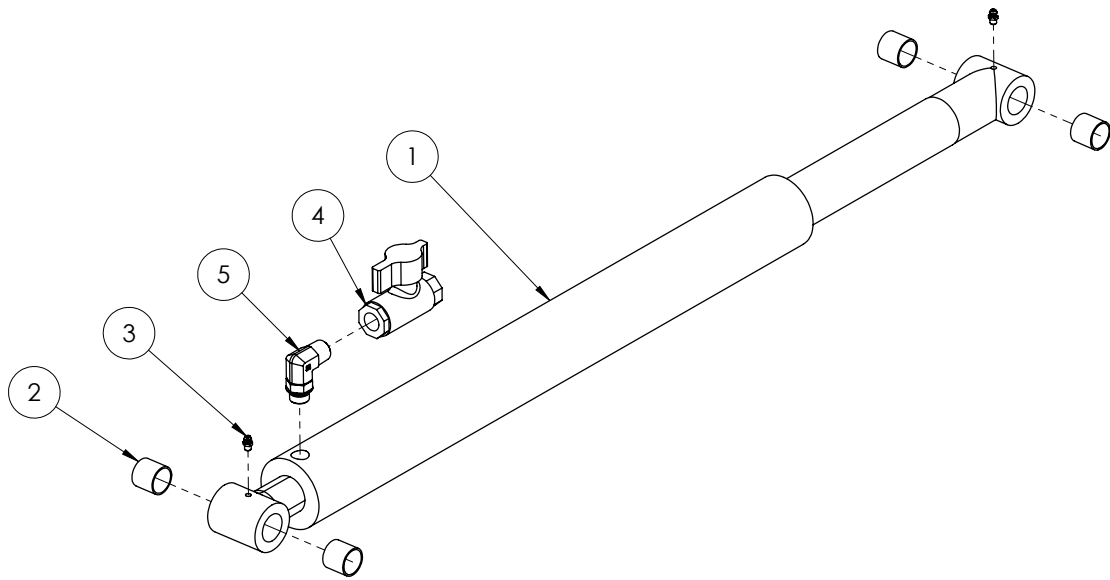
ITEM NO.	PART NUMBER	DESCRIPTION	QTY.
1	GA5018555	Hydraulic cylinder SLPSP (TLD) 2.5" x 18" Stroke	1
2	L068A	Reducing restrictor nipple, 3/4" UNO x 1/4" BSPT, 1.5mm orifice	1
3	RO-BP08	O-Ring BSPP 1/2"	1
4	S93-0412	Hydraulic adaptor, Nipple, 1/4" BSP male x 3/4" UNO male with o-ring	1

Delta Hydraulic Cylinder - Fold LH



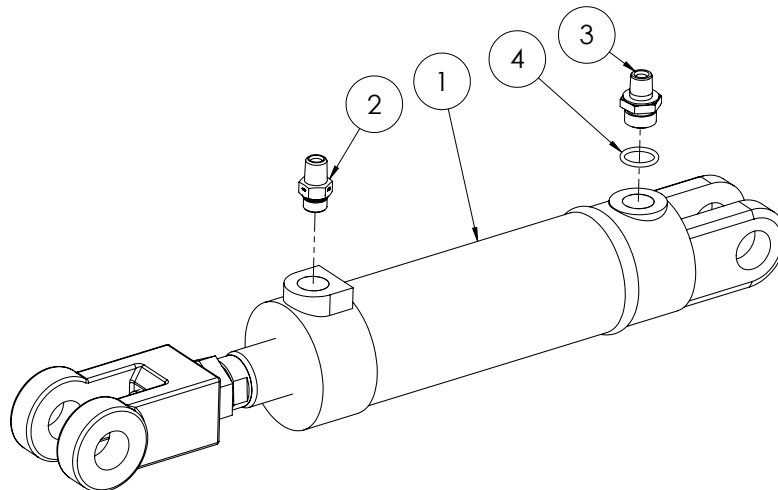
ITEM NO.	PART NUMBER	DESCRIPTION	QTY.
1	GA5018557	Hydraulic cylinder SLPSP 2.75" bore 18" stroke	1
2	L068A	Reducing restrictor nipple, 3/4" UNO x 1/4" BSPT, 1.5mm orifice	1
3	RO-BP08	O-Ring BSPP 1/2"	1
4	S93-0412	Hydraulic adaptor, Nipple, 1/4" BSP male x 3/4" UNO male with o-ring	1

Delta Hydraulic Cylinder - Boom Lift



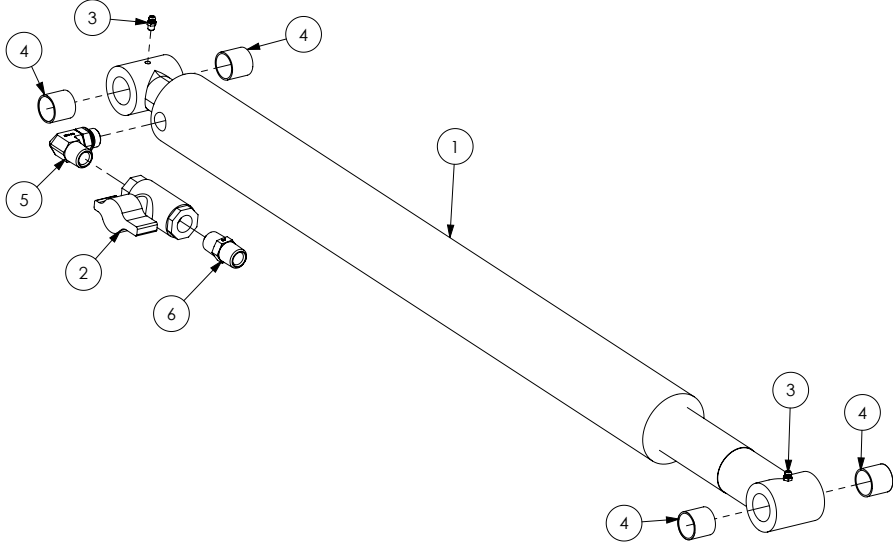
ITEM NO.	PART NUMBER	DESCRIPTION	QTY.
1	GA5070075	Hydraulic cylinder -2.5" bore, 2" rod, 20" stroke displacement pin eye	1
2	GA5065487	Glacier Bush 1" ID x 1" long	4
3	GA5012203	Grease nipple, Short, 1/4" UNF	2
4	GA5000835	Valve, Ball, Hydraulic, 1/2" female thread inlet / outlet	1
5	S89-0812	Hydraulic adaptor, 90 Degree Elbow, 1/2" BSP - 3/4" UNO	1

Delta Hydraulic Cylinder - Wing Tilt



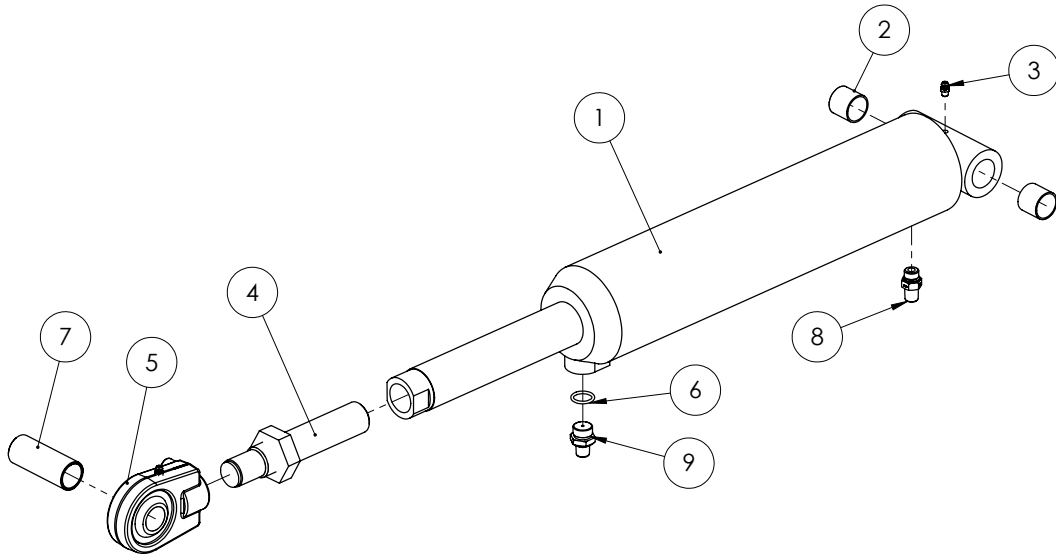
ITEM NO.	PART NUMBER	DESCRIPTION	QTY.
1	GA5065054	Cylinder tilt 2.5" x 5" stroke 1 3/8" rod suit 2012 Delta	1
2	S93-0412	Hydraulic adaptor, Nipple, 1/4" BSP male x 3/4" UNO male with o-ring	1
3	L068A	Reducing restrictor nipple, 3/4" UNO x 1/4" BSPT, 1.5mm orifice	1
4	RO-BP08	O-Ring BSPP 1/2"	1

TriTech Hydraulic Cylinder - Boom Lift



ITEM NO.	PART NUMBER	DESCRIPTION	QTY.
1	GA5070076	Hydraulic cylinder 2.5" bore x 26" stroke	1
2	GA5000835	Valve, Ball, Hydraulic, 1/2" female thread inlet / outlet	1
3	GA5012203	Grease nipple 1/4" UNF short	2
4	GA5065487	Glacier bush, 1" ID x 1 1/8" OD x 1" long	4
5	S89-0812	Hydraulic adaptor, Elbow, 1/2" BSP x 3/4" UNO	1
6	S27-0808	Hydraulic adapter, Nipple, 1/2" BSP male x 1/2" BSP male	1
-	GA5055510	Kit, Rod Eye, Weld on, Suit lift cylinder 2007 onward	-
-	GA5052740	Seal kit, to suit 2 1/2" x 20"	-

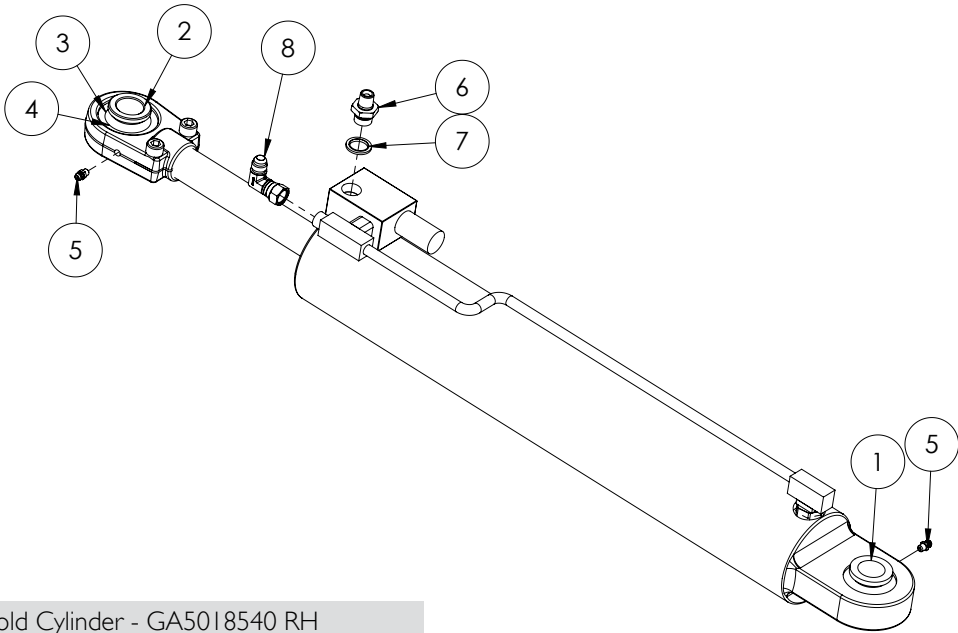
TriTech Hydraulic Cylinder - Wing Tilt



ITEM NO.	PART NUMBER	DESCRIPTION	QTY.
1	GA5065051	Hydraulic cylinder - 1.75" rod, 3.5" bore, 5" stroke	1
2	GA5065487	Glacier bush, 1.125" OD x 1" ID x 1" long	2
3	GA5012203	Grease nipple, 1/4" UNF short	2
4	GA4572520	Adjustment screw & locknut	1
5	GA5052965	Heavy delta link rose end	1
6	GA5001067	O-ring, 1/2" BSPP	1
7	GA4572535	Rose end, wide pivot bush	1
8	S93-0412	Hydraulic Nipple, 1/4" x 3/4" with o-ring	1
9	L068A	Restrictor nipple, 1/4" BSPT x 3/4" UNO, 1.5mm orifice	1
	GA5052730	Hydraulic cylinder seal kit	

NOTE: Items 4,5 & 7 are available as one part, under part number GA5052762

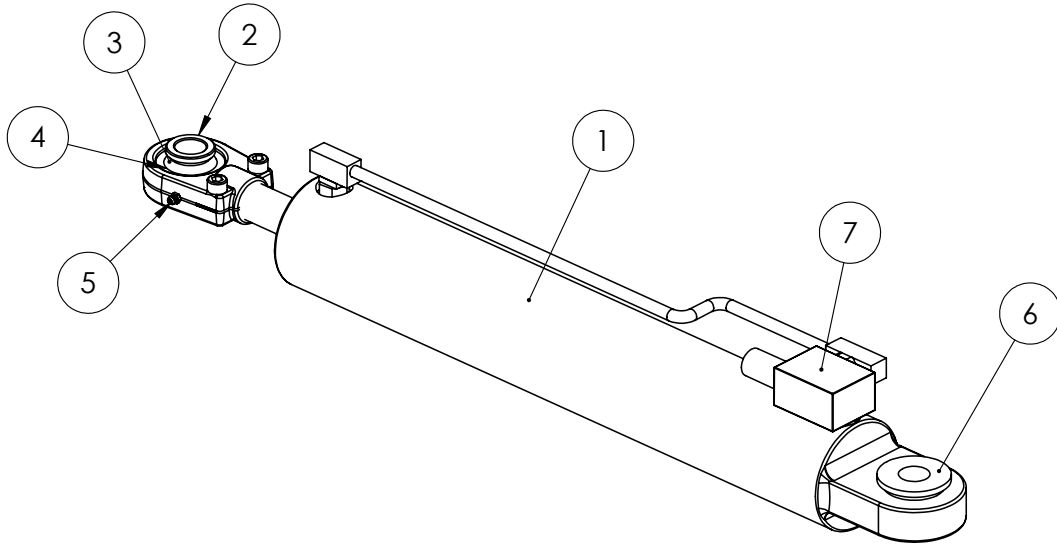
TriTech Hydraulic Cylinder - Fold RH



Boom Fold Cylinder - GA5018540 RH

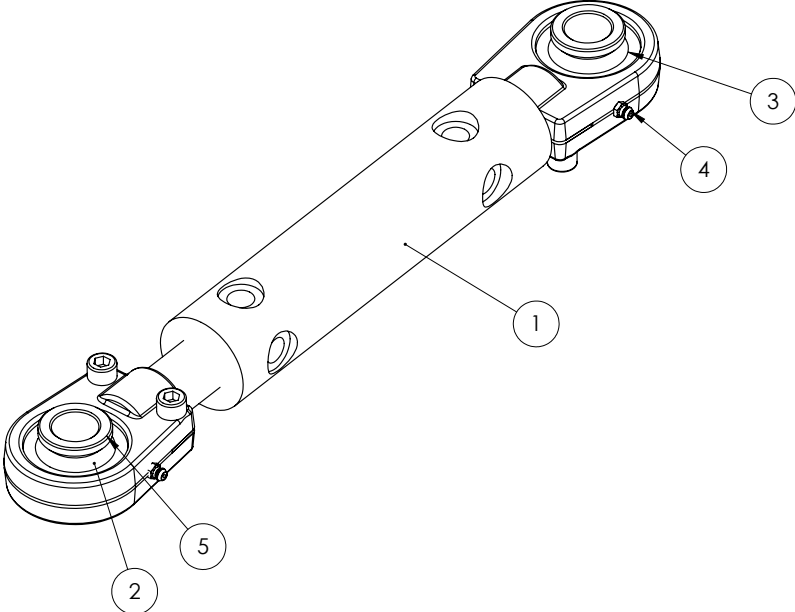
ITEM NO.	PART NUMBER	DESCRIPTION	QTY.
1	GA5021930	Bearing Bush - Large	1
2	GA5021925	Bearing Bush - Small	3
3	GA5067605	Bearing GEG 30 ES 2RS	2
4	GA5067610	Bearing Retaining clip set (2 per set)	2
5	GA5012203	Grease Nipple 1/4" UNF Short	2
6	GA4572545	Restrictor Nipple 1/4" BSPT to 3/8" UNO 1.5mm orifice	1
7	GA3500005	Hydraulic Seal, Bonded, 3/8", RL21, BSPP	1
8	GA3500002	Hydraulic Coupling, Elbow, 90 Degree, 9/16" male JIC, 9/16" Female Swivel JIC	1
-	GA5052680	Hydraulic Cylinder seal kit - not shown	-

TriTech Hydraulic Cylinder - Fold LH



ITEM NO.	PART NUMBER	DESCRIPTION	QTY.
1	GA5018542	Hydraulic cylinder; external phasing, 3.25" bore x 1.25" rod x 18"stroke	1
2	GA5021925	Small bearing bush, Suit screw on rose end	3
3	GA5067605	Bearing, suit screw on rose end, GEG 30 ES 2RS	2
4	GA5067610	Circlip, suit bearing screw on rose end, RTW 55	2
5	GA5012203	Grease nipple, Short, 1/4" UNF	2
6	GA5021930	Large bearing bush, Suit screw on rose end	1
7	GA5022423	Relief Valve, (folding Phasing Cylinders GA5018540 and GA5018542)	-
-	GA5052685	Seal Kit, heavy duty, to suit 3 1/4" bore x 1.25" rod	-

TriTech Hydraulic Cylinder - Yaw



ITEM NO.	PART NUMBER	DESCRIPTION	QTY.
1	GA5060817	Hydraulic cylinder, 2" bore x 1 1/4" shaft x 117,5mm stroke, Spherical bearing ends	1
2	GA5067605	Bearing, suit screw on rose end, GEG 30 ES 2RS	2
3	GA5067610	Circlip, suit bearing screw on rose end, RTW 55	2
4	GA5012203	Grease nipple, Short, 1/4" UNF	2
5	GA5021925	Small bearing bush, Suit screw on rose end, Hypower, R-10424	4
-	GA5052745	Seal Kit, heavy duty, 2" bore x 1 1/4" shaft	-

Raw Hide & Spiral Guard



ITEM NO.	PART NUMBER	DESCRIPTION	QTY.
	GA5053630	Rawhide hose protection 23mm	
	GA5053710	Rawhide Hose protector 31mm	
	GA5053640	Rawhide hose protection 36mm	
	GA5053705	Rawhide Hose protector 73mm	
	GA5053715	Rawhide Hose protector 56mm	
	GA5066710	Rawhide hose protection 93mm	
	GA5054375	Rawhide, Nylon sleeve, 102mm, Hook & loop closure	
	GA5015669	Spiral guard, Black	