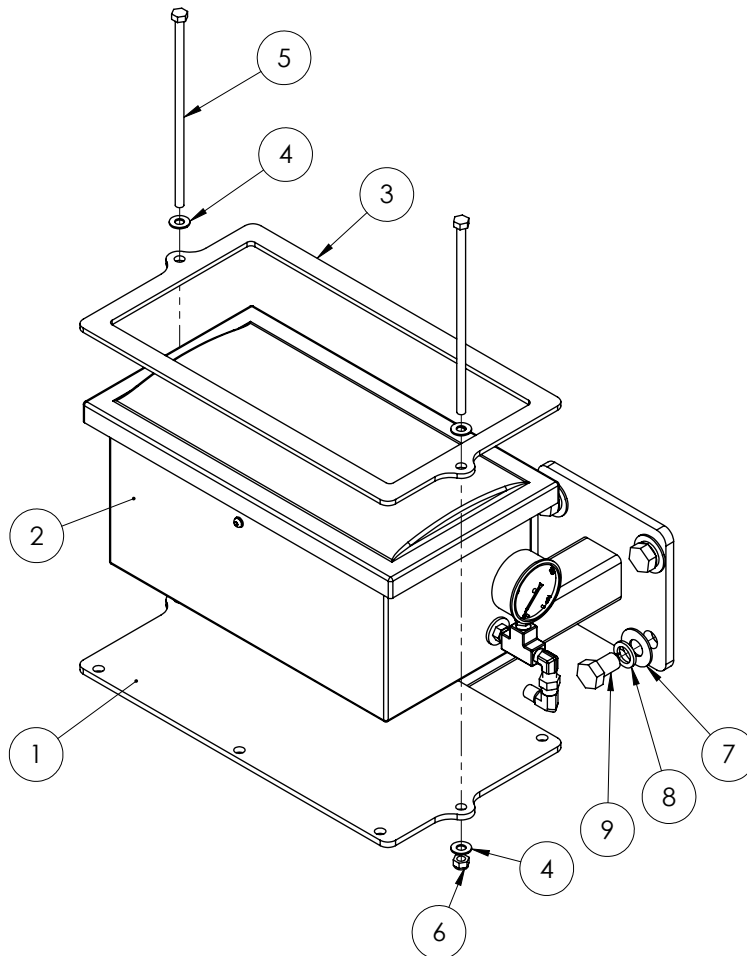


Chapter 4

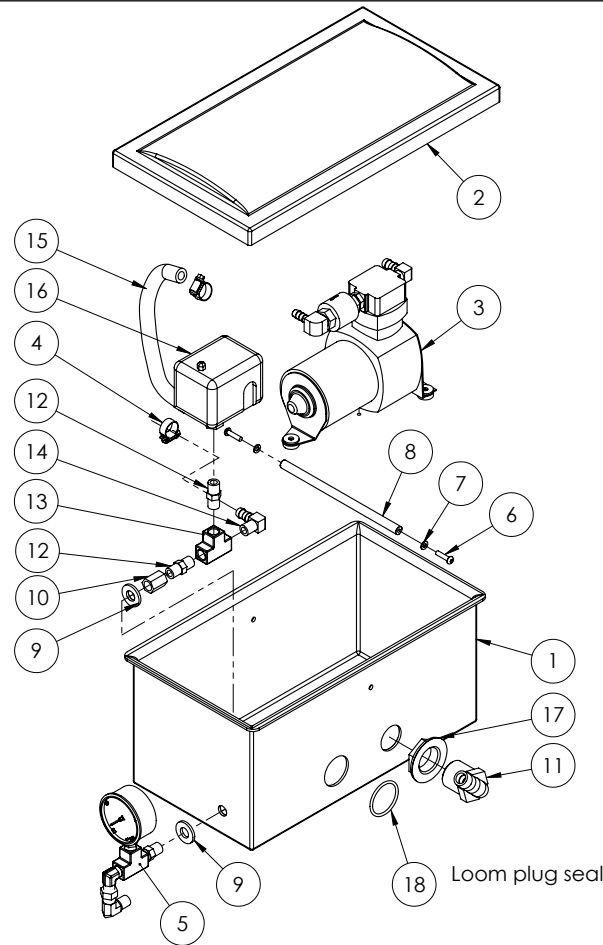
RIGHT HAND POD

Airbag Compressor & Box Assembly



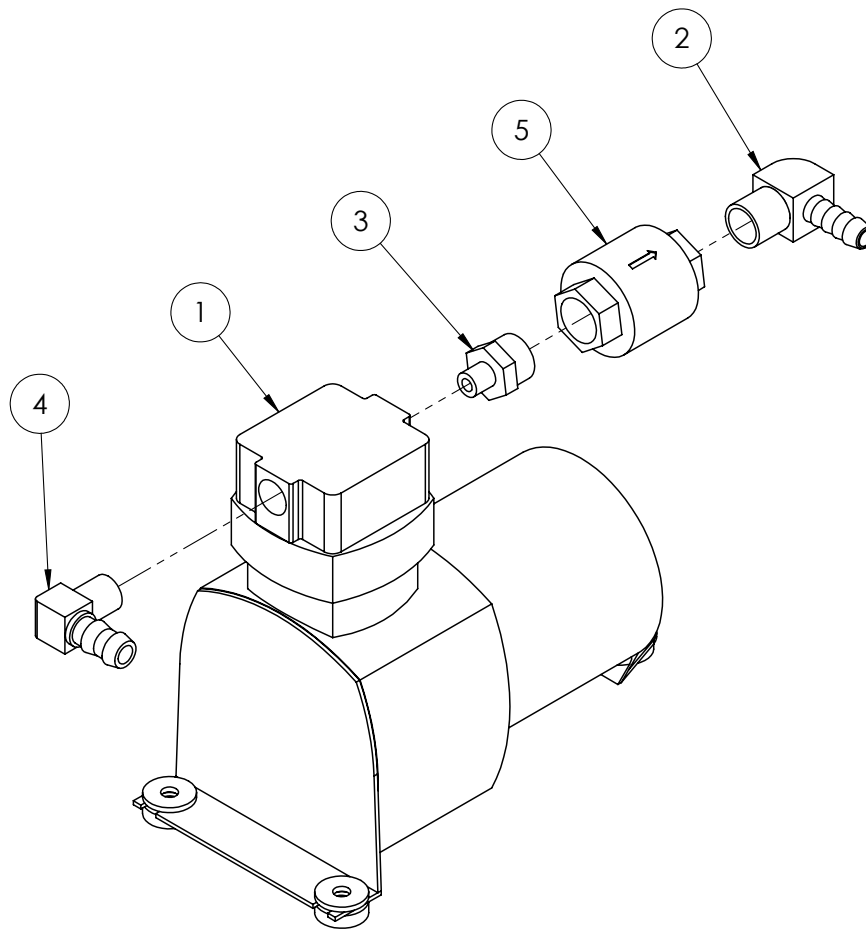
| ITEM NO. | PART NUMBER | DESCRIPTION | QTY. |
|----------|-------------|--|------|
| 1 | GA4657695 | Special EF Airbag Compressor Mount | 1 |
| 2 | GA4903147 | Pre-assembly Air bag compressor box 2010 | 1 |
| 3 | F70254A | Top retaining plate for plastic foam/air box GA5066955 | 1 |
| 4 | GA5004883 | Washer 8mm Flat ZP Heavy Duty | 4 |
| 5 | MACH0041 | Bolt hex M8 x 210 ZP | 2 |
| 6 | GA5004917 | Nut M8 Nyloc ZP | 2 |
| 7 | GA5001043 | Washer 16mm Flat SS HD | 4 |
| 8 | GA5000961 | Washer 16mm Spring ZP | 4 |
| 9 | GA5000903 | Bolt M16 x 25 ZP GR8.8 | 4 |

Compressor Box



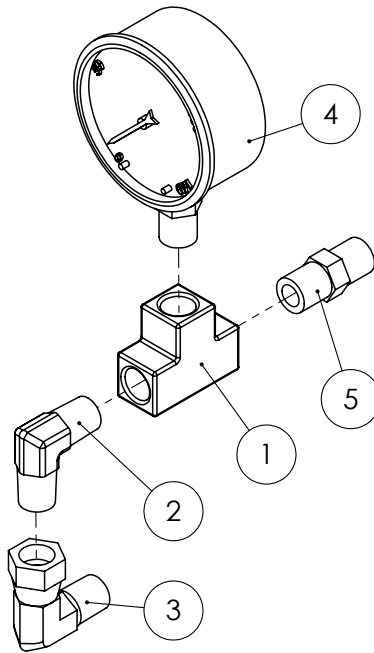
| ITEM NO. | PART NUMBER | DESCRIPTION | QTY. |
|----------|--------------|--|------|
| 1 | GA5066955 | Foam Marker Box Bottom | 1 |
| 2 | GA5066955-2 | Foam Marker Box Lid | 1 |
| 3 | GA4906150 | Airbag Compressor ASM MY13 | 1 |
| 4 | GA5000469 | Hose clamp, 1/2", SS, 12-20/9W3 | 2 |
| 5 | GA4906170 | Gauge Assembly, suit Special Airbag Box MY13 | 1 |
| 6 | GA5003581 | SHCS M5 x 20 SS GR12.9 | 2 |
| 7 | GA5003983 | Washer 5mm Flat SS | 2 |
| 8 | GA4572130 | Compressor Box Spacer Rod | 1 |
| 9 | GA5000587 | Washer 12mm Flat ZP Heavy Duty | 2 |
| 10 | GA5066940 | Socket, 1/4" female thread, Hex, Brass | 1 |
| 11 | HB100-075-90 | Hose barb, Elbow, 90 degree, 1" male thread x 3/4" hose, Banjo | 1 |
| 12 | GA5050285 | Nipple, 1/4" male thread x 1/4" male thread, Brass | 2 |
| 13 | GA5048300 | Tee, 1/4" female thread x 1/4" female thread x 1/4" female thread, Brass | 1 |
| 14 | GA5049290 | Elbow 1/4" male thread x 3/8" barb brass | 1 |
| 15 | GA5051025 | Hose, High Temperature Multi purpose, 3/8" ID 200psi RED | 1 |
| 16 | GA5016221 | Switch differential Press. suit Air Bag | 1 |
| 17 | 2052040 | Back Nut 1" | 1 |
| 18 | GA5065820 | O-ring, 38 x 3mm, Suits AS40 plumbing fittings | 1 |

Air Compressor Assembly



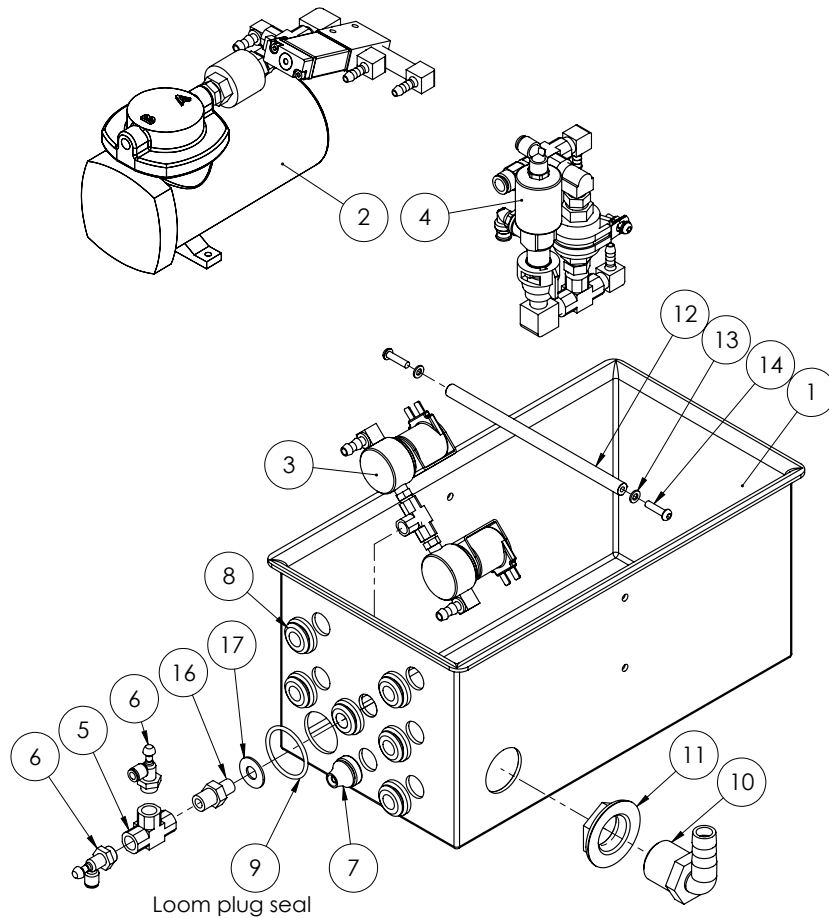
| ITEM NO. | PART NUMBER | DESCRIPTION | QTY. |
|----------|-------------|---|------|
| 1 | GA5018809 | Air compressor, Suit airbag, 12V, 30.6L/min, 150psi maximum | 1 |
| 2 | GA5070730 | Elbow Brass 3/8" x 3/8" | 1 |
| 3 | GA5020690 | Reducing nipple, 1/8" male thread x 3/8" male thread, Brass | 1 |
| 4 | GA5049290 | Elbow 1/4" male thread x 3/8" barb brass | 1 |
| 5 | GA5020010 | Valve, Check, 3/8" female thread inlet & outlet, Brass | 1 |

Compressor Gauge



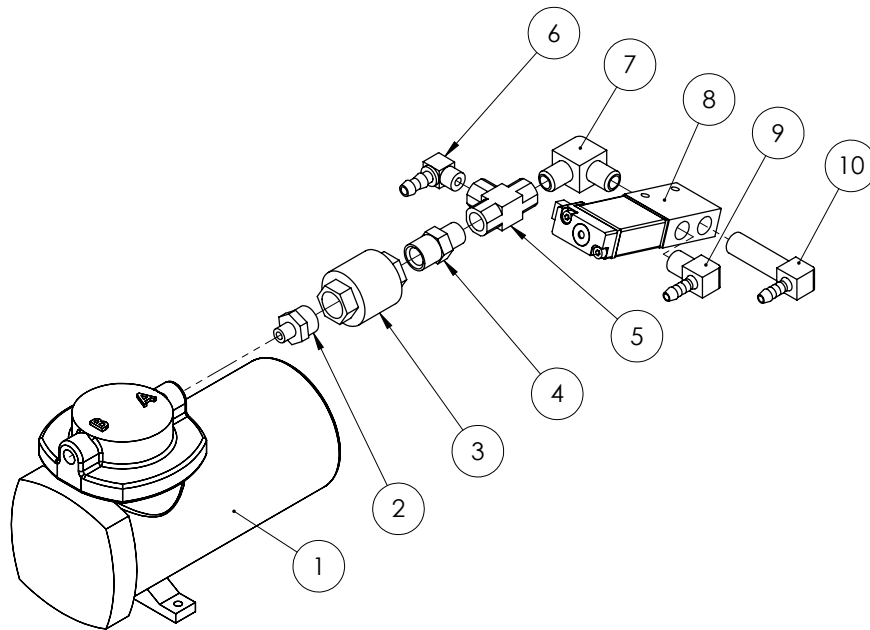
| ITEM NO. | PART NUMBER | DESCRIPTION | QTY. |
|----------|-------------|---|------|
| 1 | GA5048300 | Tee, 1/4" female thread x 1/4" female thread x 1/4" female thread, Brass | 1 |
| 2 | S49-0404 | Hydraulic coupling, Elbow, 90 degree, 1/4" BSPT male x 1/4" BSPT male | 1 |
| 3 | S82-0404 | Hydraulic adapter, Elbow, 90 degree, 1/4" BSP male x 1/4" BSP female swivel | 1 |
| 4 | GA4948470 | Gauge, Pressure, Small face, 160psi | 1 |
| 5 | GA5050285 | Nipple, 1/4" male thread x 1/4" male thread, Brass | 1 |

Foam Marker Box



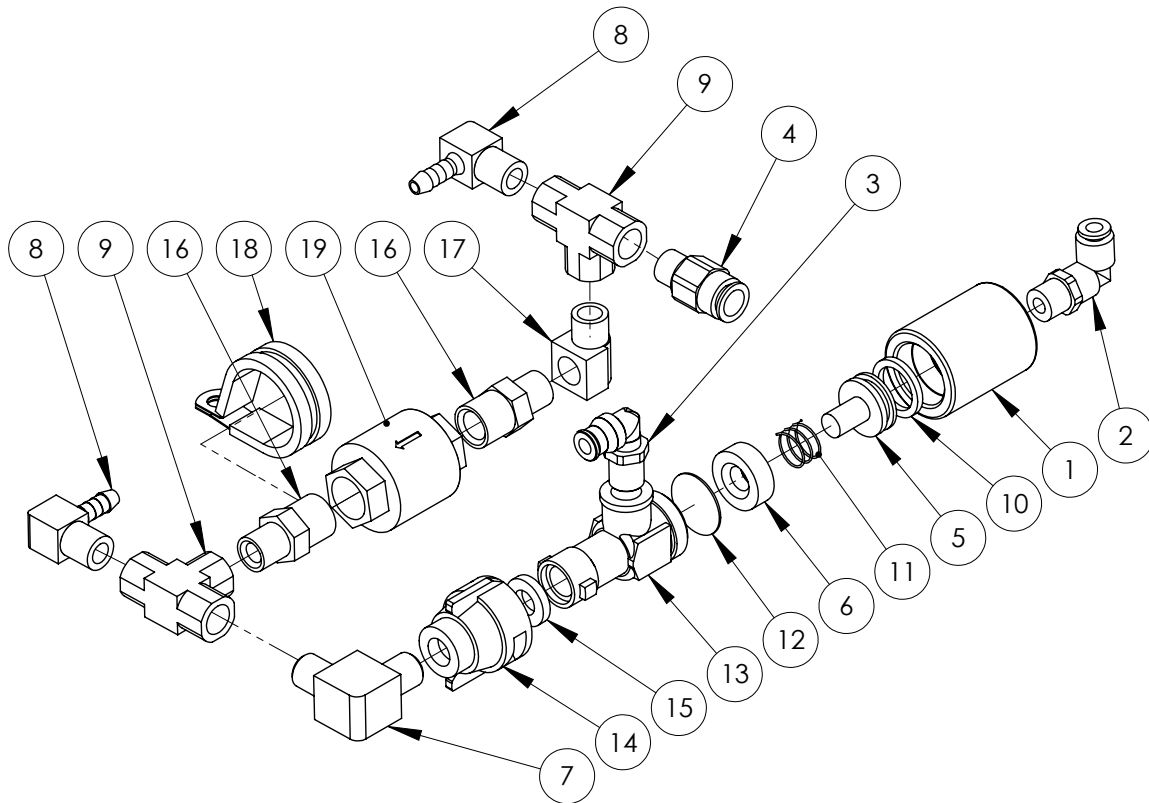
| ITEM NO. | PART NUMBER | DESCRIPTION | QTY. |
|----------|--------------|--|------|
| 1 | GA5066955-1 | Foam marker box & lid | 1 |
| 2 | GA4906160 | Foam Marker Compressor ASM MY13 | 1 |
| 3 | GA4906165 | Foam Marker solenoid ASM MY13 | 1 |
| 4 | GA4912005 | Kit Foam Marker Exhaust Valve | 1 |
| 5 | GA5048300 | Tee, 1/4" female thread x 1/4" female thread x 1/4" female thread, Brass | 1 |
| 6 | GA5015643 | Valve, Needle, 6mm push type inlet x 1/8" male thread inlet, Legris | 2 |
| 7 | GA5017703 | Grommet grey 19 x 5mm | 1 |
| 8 | GA5012199 | Neop Grommet 29mm OD | 6 |
| 9 | GA5065820 | O-ring, 38 x 3mm, Suits AS40 plumbing fittings | 1 |
| 10 | HB100-075-90 | Hose barb, Elbow, 90 degree, 1" male thread x 3/4" hose, Banjo | 1 |
| 11 | 2052040 | Back Nut 1" | 1 |
| 12 | GA4572130 | Compressor Box Spacer Rod | 1 |
| 13 | GA5003983 | Washer 5mm Flat SS | 4 |
| 14 | GA5003581 | SHCS M5 x 20 SS GR12.9 | 3 |
| 15 | GA5003975 | Nut M5 Nyloc SS | 1 |
| 16 | GA5013809 | Reducing Nipple 1/4" x 1/8" | 1 |
| 17 | GA5002565 | Washer, 3/8" ID x 1" OD, Flat SS | 1 |

Foam Marker Air Compressor



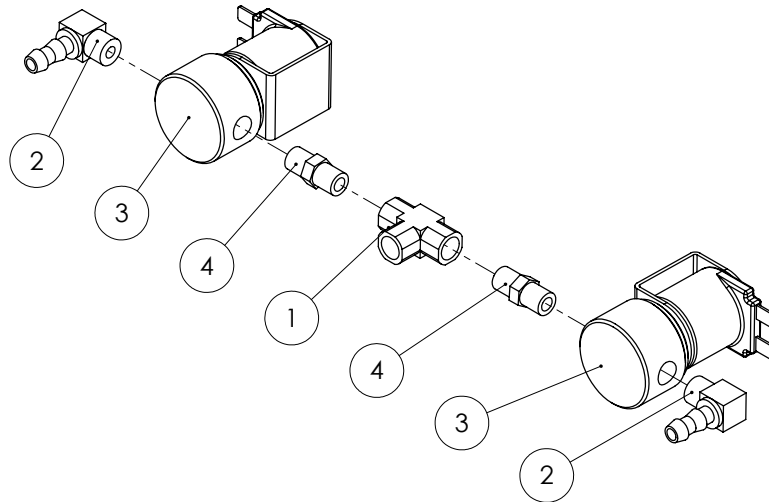
| ITEM NO. | PART NUMBER | DESCRIPTION | QTY. |
|----------|-------------|--|------|
| 1 | GA5018806 | Air compressor, Suit foam marker, 12V 39.6L/min 35psi maximum pressure | 2 |
| 2 | GA5020690 | Reducing nipple, 1/8" male thread x 3/8" male thread, Brass | 1 |
| 3 | GA5020010 | Valve, Check, 3/8" female thread inlet & outlet, Brass | 1 |
| 4 | GA5045085 | Reducing nipple, 3/8" male thread x 1/4" male thread, Brass | 1 |
| 5 | GA5048300 | Tee, 1/4" female thread x 1/4" female thread x 1/4" female thread, Brass | 1 |
| 6 | GA5066950 | Barb elbow brass 1/4" x 1/8" | 1 |
| 7 | GA5008343 | Elbow male thread 1/4" x 1/4" | 1 |
| 8 | GA5002959 | Solenoid valve, Electric over air, MAC | 1 |
| 9 | GA5048340 | Elbow, 90 degree, 1/4" male thread x 1/4" hose, Brass | 1 |
| 10 | GA5008347 | Elbow male barb 1/4" x 1/4" Long 40 mm | 1 |

Foam Marker Exhaust Valve



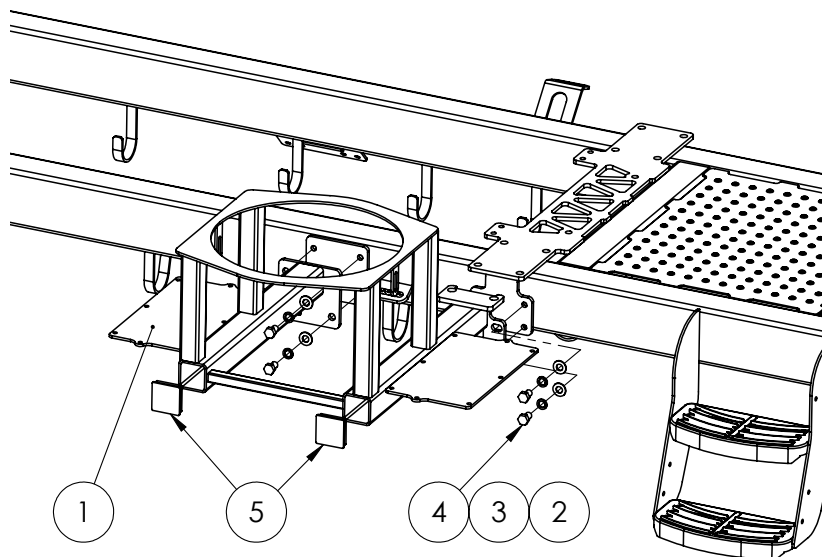
| ITEM NO. | PART NUMBER | DESCRIPTION | QTY. |
|----------|----------------|---|------|
| 1 | GA4572000 | Air Chemsaver Body | 1 |
| 2 | GA5045145 | Elbow Brass 6mm x 1/8" BSPT | 1 |
| 3 | GA5016233 | Pneumatic fitting, Elbow, 90 degree, 1/4" BSP male x 6mm push type, Metal | 1 |
| 4 | GA5045140 | Pneumatic fitting, Nipple, 1/4" BSPT male x 6mm push type, Brass | 1 |
| 5 | GA4572005 | Air Chemsaver Piston | 1 |
| 6 | GA4572010 | Air Chemsaver Washer | 1 |
| 7 | GA5008343 | Elbow male thread 1/4" x 1/4" | 1 |
| 8 | GA5048340 | Elbow, 90 degree, 1/4" male thread x 1/4" hose, Brass | 2 |
| 9 | GA5048300 | Tee, 1/4" female thread x 1/4" female thread x 1/4" female thread, Brass | 2 |
| 10 | CP50676-VI | Cup Seal for ACS | 1 |
| 11 | GA5045090 | Spring foam marker 14.2 x 14 | 1 |
| 12 | QJ8355-I-4-NYR | Exhaust Valve Diaphragm | 1 |
| 13 | 5860036 | Arag D.C.V. Complete | 1 |
| 14 | QJ4676-I-4-NYR | Nozzle cap & washer, Black, Nylon, Teejet | 1 |
| 15 | CPI9438-EPR | Seat Washer, Rubber | 1 |
| 16 | GA5045085 | Reducing nipple, 3/8" male thread x 1/4" male thread, Brass | 2 |
| 17 | GA5048305 | Elbow, 90 degree, 1/4" BSP male x 1/4" BSP female, Brass | 1 |
| 18 | GA5048090 | Clamp P 35mm 56487 | 1 |
| 19 | GA5020010 | Valve, Check, 3/8" female thread inlet & outlet, Brass | 1 |

Foam Marker Solenoid



| ITEM NO. | PART NUMBER | DESCRIPTION | QTY. |
|----------|-------------|----------------------------------|------|
| 1 | GA5016559 | Tee female brass 1/8" | 1 |
| 2 | GA5066950 | Barb elbow brass 1/4" x 1/8" | 2 |
| 3 | GA5018395 | Solenoid valve, Suit foam marker | 2 |
| 4 | GA5066935 | Nipple brass 1/8" x 1/8" | 2 |

Foam Marker Pod On Chassis



| ITEM NO. | PART NUMBER | DESCRIPTION | QTY. |
|----------|-------------|---|------|
| 1 | GA4654413 | Foam frame EF special RH | 1 |
| 2 | GA5001009 | Washer 16mm Flat ZP Heavy Duty | 8 |
| 3 | GA5000961 | Washer 16mm Spring ZP | 8 |
| 4 | GA5000903 | Bolt M16 x 25 ZP GR8.8 | 8 |
| 5 | GA5052345 | End cap, Insert, 75 x 75 mm, black, plastic | 2 |