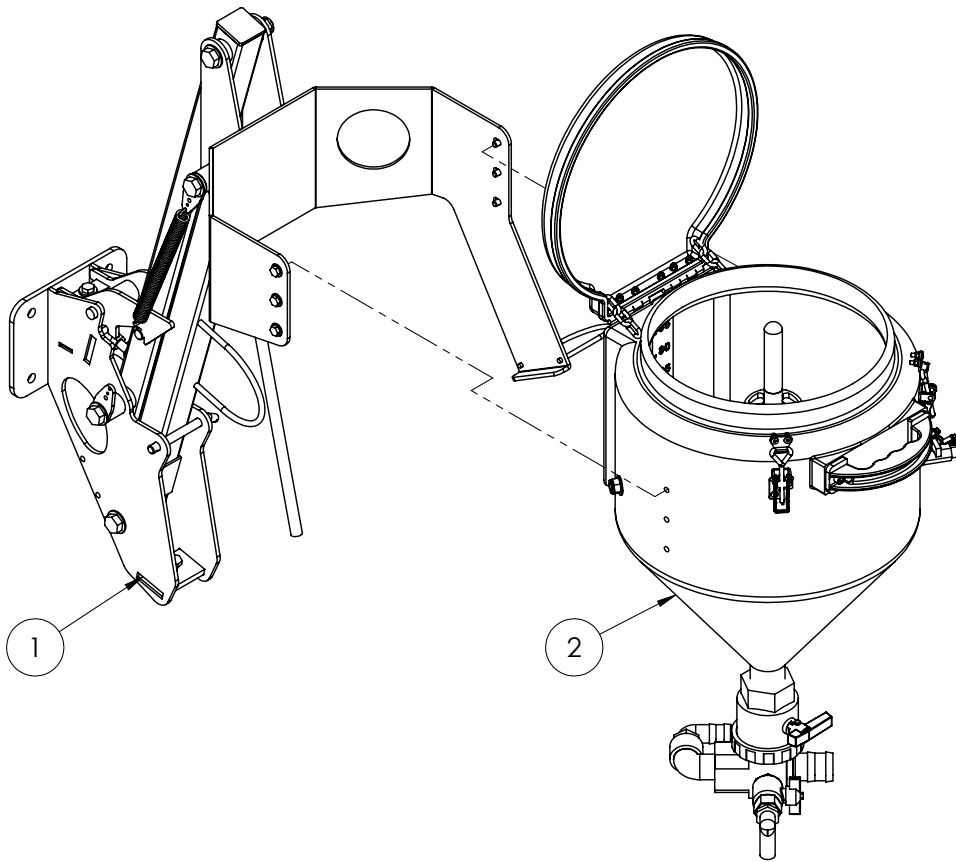


Chapter 8

INDUCTION HOPPER

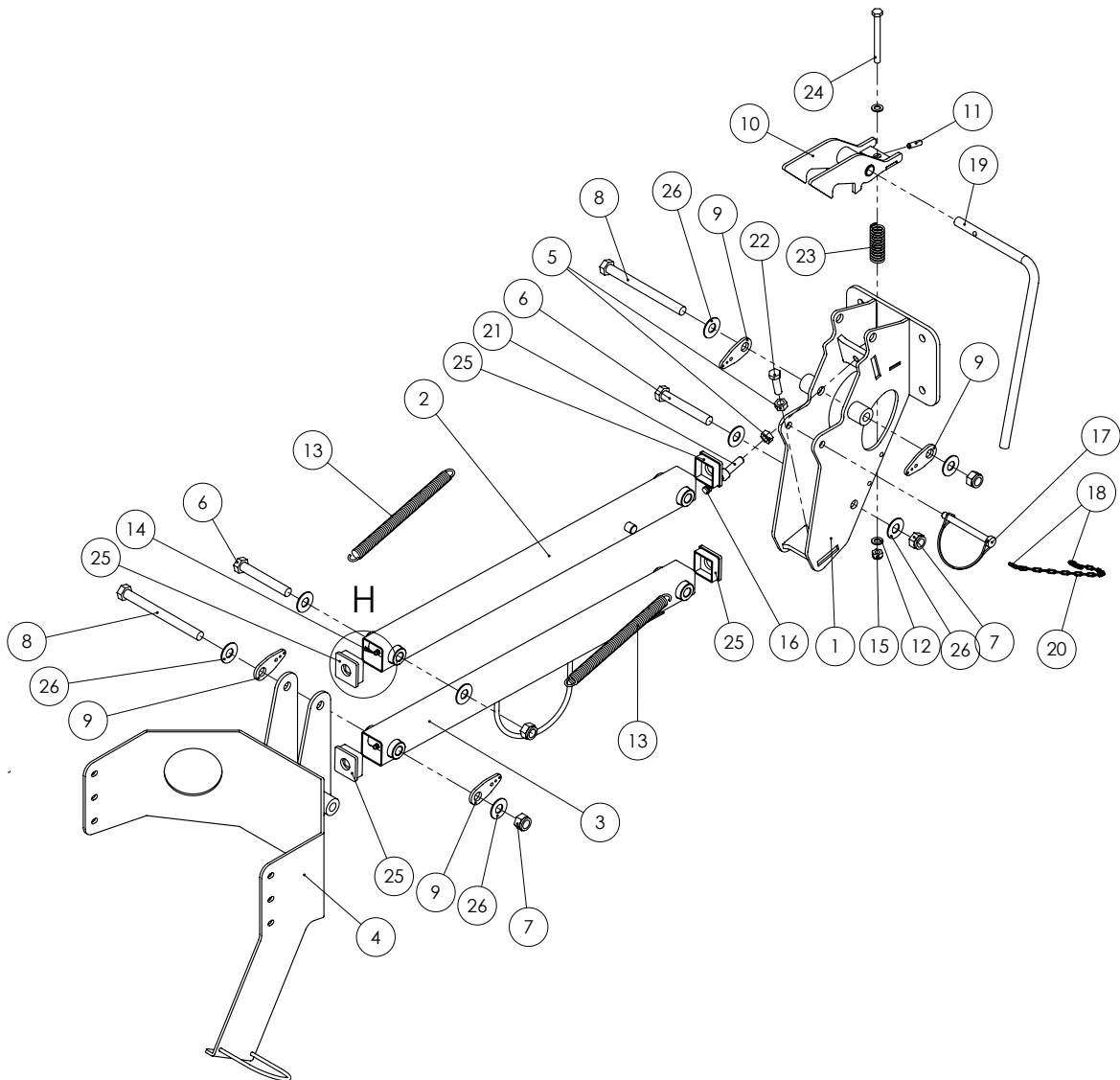
40L Induction Hopper



GA4904225 40L Induction Hopper

ITEM NO.	PART NUMBER	DESCRIPTION	QTY.
1	GA4903047-40	40L Hopper Frame	1
2	GA4903111	Pre-assembled 40L hopper tank	1

40L Hopper Frame



GA4903047-40 40L Induction Hopper Frame

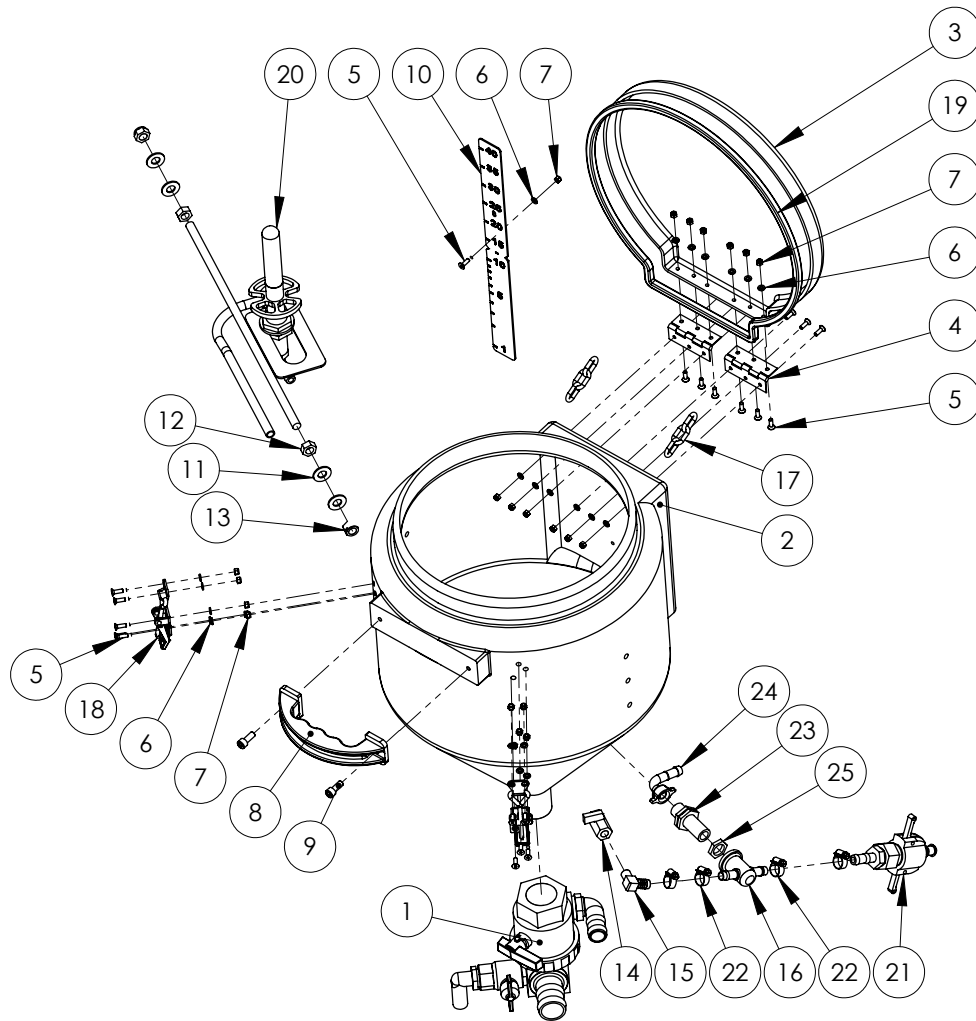
ITEM NO.	PART NUMBER	DESCRIPTION	QTY.
1	GA4653420	Induction Hopper Chassis Mount Advance	1
2	GA4653440	Induction Hopper Arm Upper Advance	1
3	GA4653445	Induction Hopper Arm Lower Advance	1
4	GA4653470	Induction Hopper tank support 40L suit EF range	1
5	GA5000559	Nut M12 Hex ZP	2
6	GA5000855	Bolt M16 x 110 ZP GR8.8	2
7	GA5001029	Nut M16 Nyloc ZP	4
8	GA5000879	Bolt M16 x 180 ZP GR8.8	2
9	F70121A	Hopper spring retainer 5mm SS	4
10	GA4653490	Induction Hopper Latch, Advance	1
11	GA5075130	Roll pin M8 x 30mm coated	1

Continued over page

40L Hopper Frame

ITEM NO.	PART NUMBER	DESCRIPTION	QTY.
12	GA5000117	Washer 10mm Flat SS Heavy Duty	2
13	GA5007073	Spring,Tension, 38.2 OD x 284.3 long x 3.55mm	2
14	GA5012203	Grease nipple, Short, 1/4" UNF	4
15	GA5000141	Nut M10 Nyloc ZP	1
16	GA5052905	Insert, suit 12mm Hole, Black, plastic	1
17	GA5048380	Pin, 11mm OD shaft, Spring Steel wire loop lock, Yellow zinc	1
18	GA5002077	Key ring, 25mm, SS	2
19	GA4699435	Handle, Induction Hopper Latch Arm	1
20	GA5001491	Chain 2mm x 20 SS, Cut 250 long	1
21	GA5000321	SHCS M12 x 40 ZP GR12.9	1
22	GA5000319	Set Screw M12 x 40 ZP GR8.8	1
23	GA5007329	Spring compression, 76.2mm x 25.4 x 3.15mm, gold	1
24	GA5006091	Bolt M10 x 100 ZP GR8.8	1
25	GA5003783	End cap, Insert, Black, Plastic, 50 x 50 mm	4
26	GA5001043	Washer 16mm Flat SS HD	8

40L Hopper Tank



GA4903111 40L Induction Hopper Tank

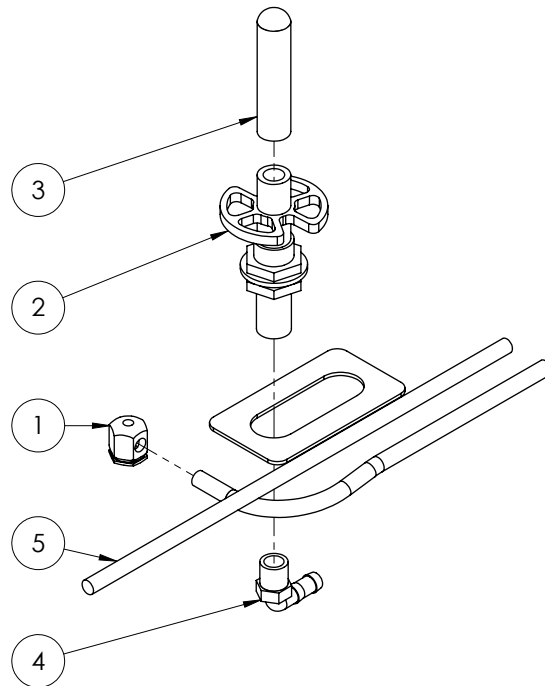
ITEM NO.	PART NUMBER	DESCRIPTION	QTY.
1	GA4903105	Valve assembly, Induction hopper bottom, Suit 40, 60, 70L hopper	1
2	GA4901044	Tank, Induction hopper 40L, Round, Green, without lid	1
3	GA5003333	Lid suit GA4901044 Induction hopper 40L, Round, Green	1
4	GA5004547	70mm ZP butt hinge	2
5	GA5051230	CSCS M5 x 16 Countersink SS	23
6	GA5003983	Washer 5mm Flat SS	23
7	GA5003975	Nut M5 Nyloc SS	23
8	GA5009841	Handle, Black, Heavy duty, Polyethylene	1
9	GA5004707	SHCS M8 x 20 ZP GR12.9	2
10	F70275A	Hopper level indicator 40L	1
11	GA5000587	Washer 12mm Flat ZP Heavy Duty	4
12	GA5000559	Nut M12 Hex ZP	2
13	GA5012461	Nut M12 Nyloc ZP	2

Continued over page

40L Hopper Tank

ITEM NO.	PART NUMBER	DESCRIPTION	QTY.
14	GA5018321	Valve, Ball, 1/4" female thread inlet / outlet, Lever handle, SS	1
15	GA5020355	Hose barb, Brass, Elbow, 90 degree, 1/4" male thread x 1/2" hose, No shoulder	1
16	GA5070150	Tee 13mm x 1/2" female branch	1
17	GA5001491	Chain 2mm x 20 SS (cut 100mm long)	2
18	GA5007071	Latch, Adjustable, Induction Hopper Lid	2
19	GA5012981	Pinchweld, Side bulb, Induction hopper seal	1
20	GA4903111-2	Rinse Assembly Hopper 40l	1
21	GA4903111-1	Cam Lock Assembly suit 40l Hopper	1
22	GA5000469	Hose clamp, 1/2", SS, 12-20/9W3	4
23	2502021	Long Thread Nipple 1/2"	1
24	GA5012375	Nut brass & tail 1/2"	1
25	GA5070110	Nut 1/2" Hex Lock Nut Brass BSPT	1

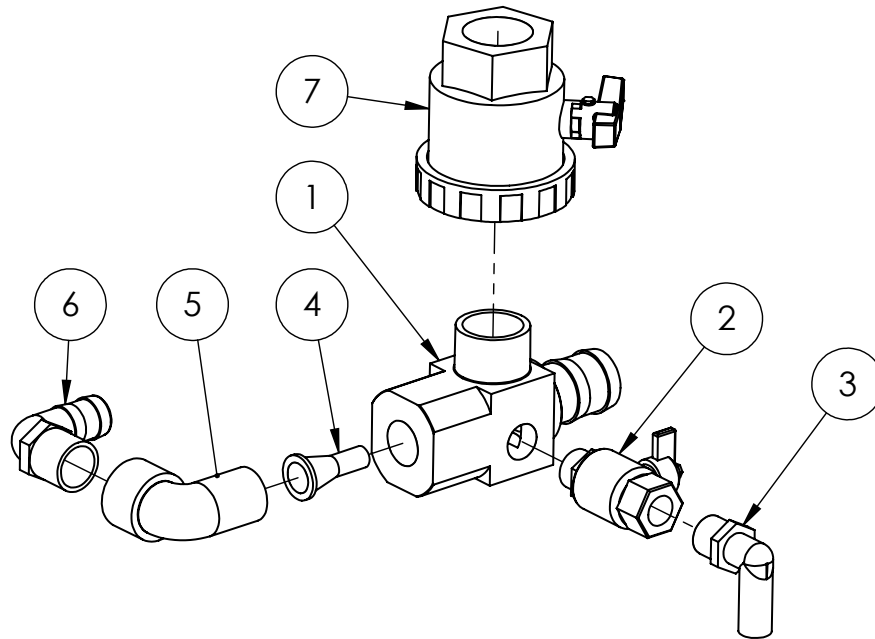
Hopper Rinse Nozzle Sub Assem



GA4903111-2 Rinse Nozzle Sub Assem

ITEM NO.	PART NUMBER	DESCRIPTION	QTY.
1	L071A	Induction hopper rinse nozzle (two parts)	1
2	510100	Valve, Drum & container rinsing nozzle, ARAG	1
3	510110	Nozzle, Drum & container rinsing, ARAG	1
4	HB050-90	Hose barb, Elbow, 90 degree, 1/2" male thread x 1/2" hose	1
5	GA4653590	Induction Hopper Stainless Piping suit 40L	1

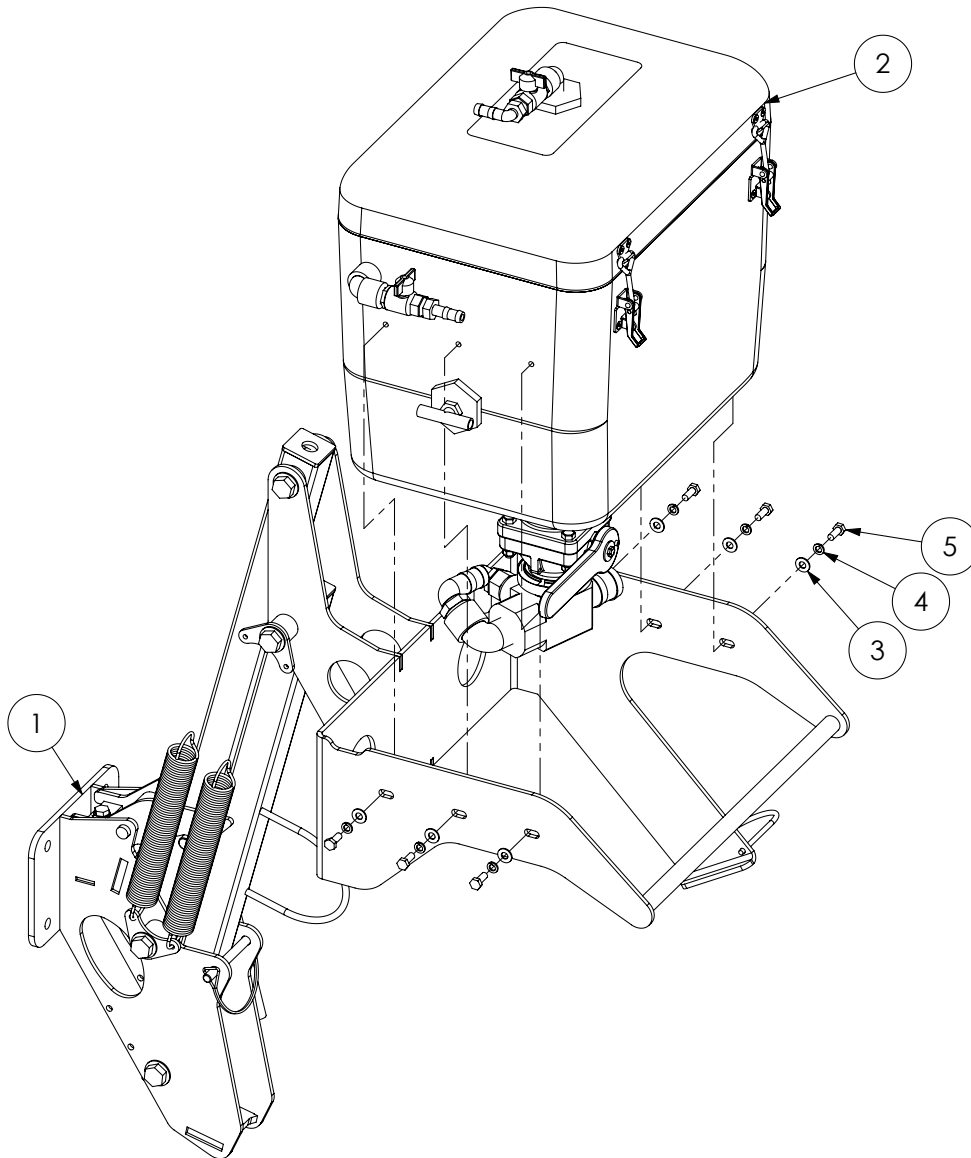
Hopper Bottom 40L



GA4903105 Hopper Bottom

ITEM NO.	PART NUMBER	DESCRIPTION	QTY.
1	L056A	Induction hopper bottom, 1 1/2" hose barb x 1 1/2" BSPT male x 1" BSPT female x 3/4" BSPT female.	1
2	GA5018315	Valve, Ball, 20mm male & female thread, Black Butterfly handle	1
3	HB075-90	Hose barb, Elbow, 90 degree, 3/4" male thread x 3/4" hose, Banjo	1
4	L057A	Venturi, 9mm outlet, Suit induction hopper	1
5	SL100-90	Street elbow, 90 degree, 1" male x 1" female	1
6	HB100-90	Hose barb, Elbow, 90 degree, 1" male x 1" hose	1
7	UV150FP	Valve, Ball, 1 1/2" female thread inlet / outlet, Full port, Lever handle	1

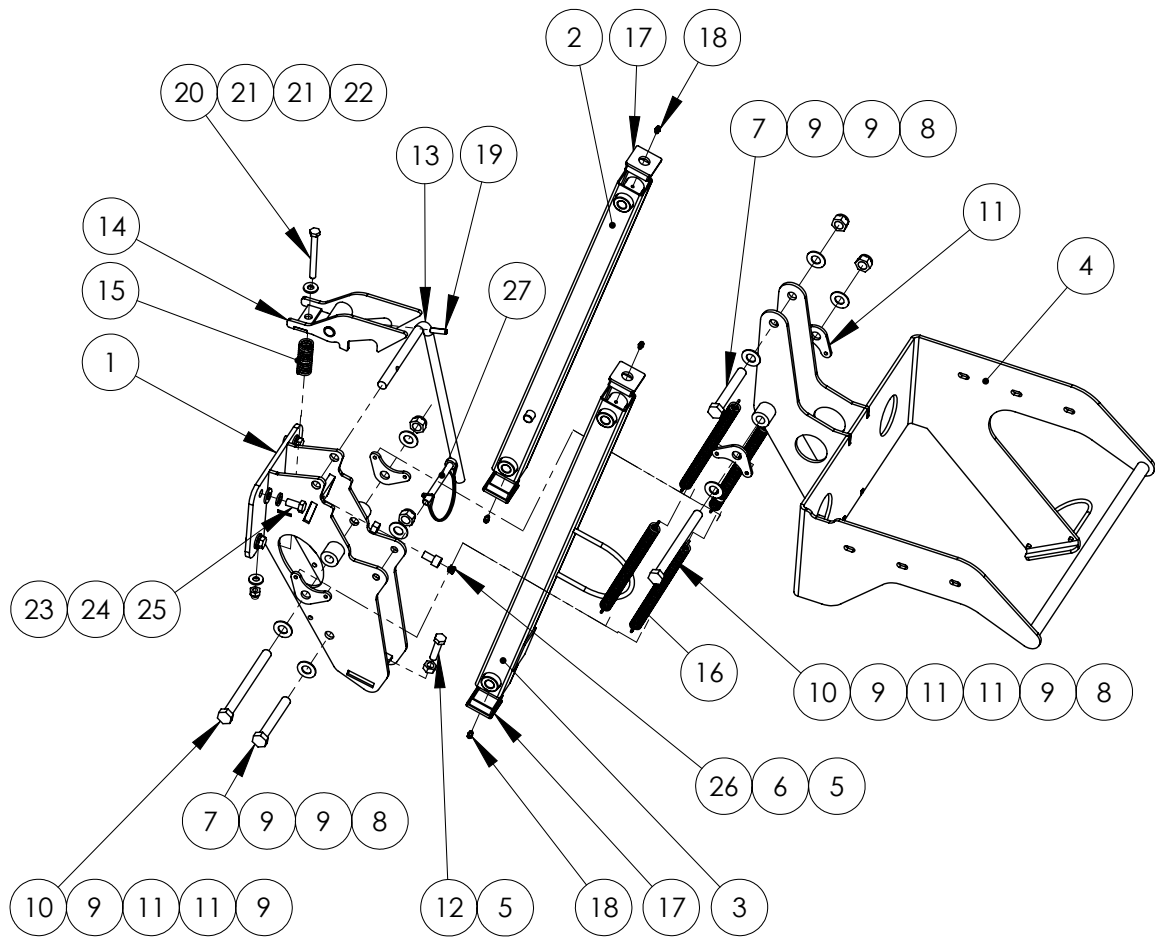
60L Induction Hopper



GA4906525 60L Induction Hopper

ITEM NO.	PART NUMBER	DESCRIPTION	QTY.
1	GA4903049-65-EF	Frame, Pre assembled, Induction hopper, 60L, Suit EF	1
2	GA4906520	Hopper, Pre-Assembled 60L with Flange (rectangle) Hopper Tank	1
3	GA5004883	Washer 8mm Flat ZP Heavy Duty	6
4	GA5004919	Washer 8mm Spring SS	6
5	GA5004085	Bolt M8 x 20 ZP GR8.8	6

60L Hopper Frame



GA4903049-65-EF Hopper Frame 60L

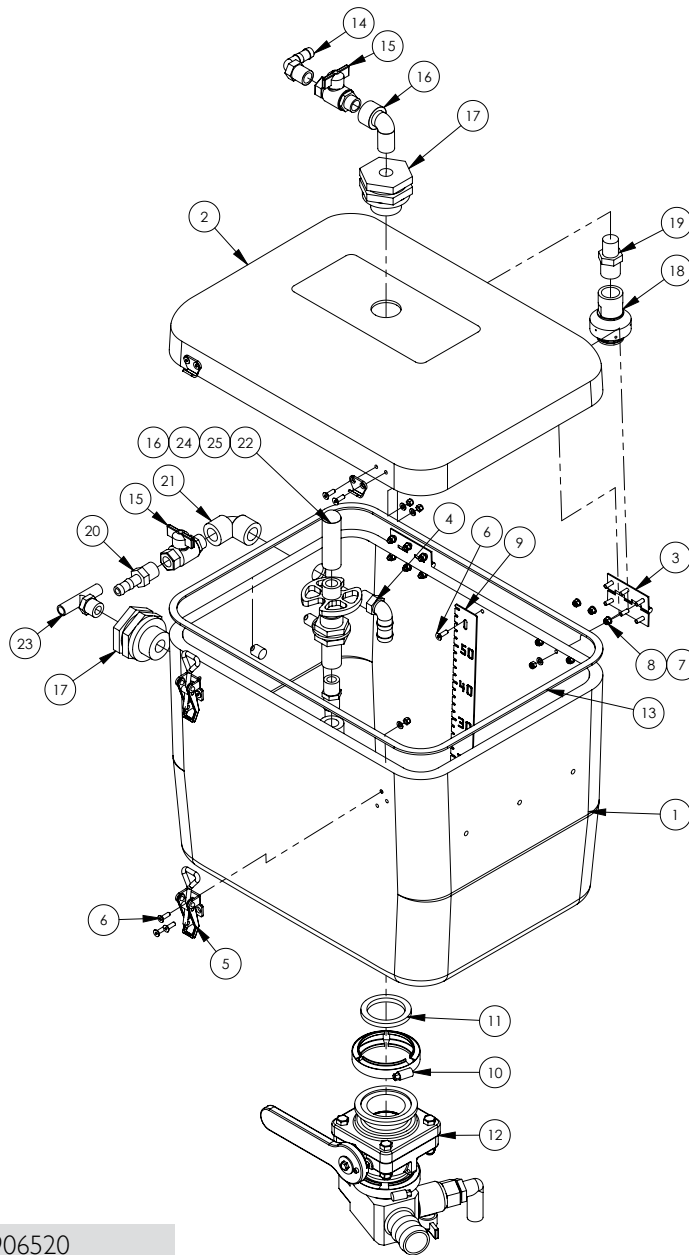
ITEM NO.	PART NUMBER	DESCRIPTION	QTY.
1	GA4653420	Induction Hopper Chassis Mount Advance	1
2	GA4653440	Induction Hopper Arm Upper Advance	1
3	GA4653445	Induction Hopper Arm Lower Advance	1
4	GA4656855	Induction Hopper tank support 60L suit EF range	1
5	GA5000559	Nut M12 Hex ZP	2
6	GA5050330	SHCS M12 x 20 ZP GR12.9	1
7	GA5000855	Bolt M16 x 110 ZP GR8.8	2
8	GA5001029	Nut M16 Nyloc ZP	4
9	GA5001009	Washer 16mm Flat ZP Heavy Duty	8
10	GA5000879	Bolt M16 x 180 ZP GR8.8	2
11	GA4522294	Mounting plate, Double induction hopper spring	4
12	GA5000327	Set Screw M12 x 45 ZP GR8.8	1
13	GA4699435	Handle, Induction Hopper Latch Arm	1
14	GA4653490	Induction Hopper Latch Advance	1
15	GA5007329	Spring compression, 76.2mm x 25.4 x 3.15mm, gold	1
16	GA5007073	Spring, Tension, 38.2 OD x 284.3 long x 3.55mm	4

Continued over page

60L Hopper Frame

ITEM NO.	PART NUMBER	DESCRIPTION	QTY.
17	GA5003783	End cap, Insert, Black, Plastic, 50 x 50 mm	4
18	GA5012203	Grease nipple, Short, 1/4" UNF	4
19	GA5075130	Roll pin M8 x 30mm coated	1
20	GA5011139	Bolt M10 x 100 ZP GR4.6	1
21	GA5000117	Washer 10mm Flat SS Heavy Duty	2
22	GA5000141	Nut M10 Nyloc ZP	1
23	GA5000587	Washer 12mm Flat ZP Heavy Duty	4
24	GA5000575	Washer 12mm Spring SS	4
25	GA5000295	Set Screw M12 x 25 ZP GR8.8	4
26	GA5052905	Insert, suit 12mm Hole, Black, plastic	1
27	GA5048380	Pin, 11mm OD shaft, Spring Steel wire loop lock, Yellow zinc	1

60L Hopper Tank



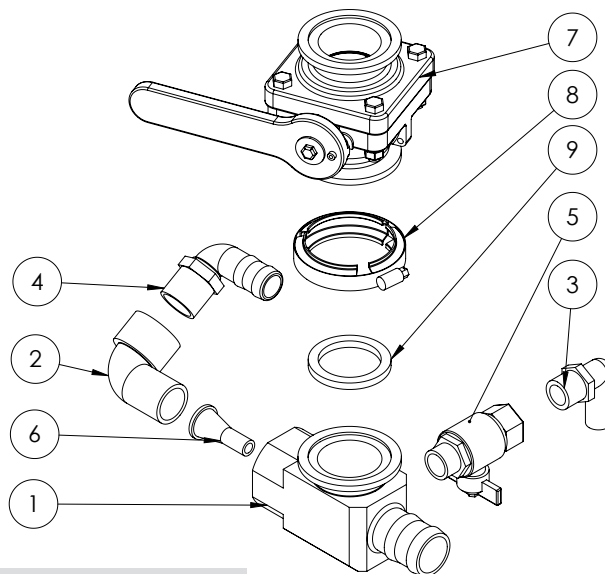
Hopper Tank - GA4906520

ITEM NO.	PART NUMBER	DESCRIPTION	QTY.
1	GA5071208	Tank, Induction Hopper, 60L with Flange to suit Banjo 220 Valve	1
2	GA5070045	Hopper lid - 07 Advance 65L	1
3	GA5006661	Hinge, Butt, 70 long x 50 wide x 1.5mm, SS	2
4	HB050/075-90	Hose barb, Elbow, 90 degree, 1/2" male thread x 3/4" hose	1
5	GA5007071	Latch, Adjustable, Induction Hopper Lid	2
6	GA5051230	CSCS M5 x 16 Countersink SS	23
7	GA5003983	Washer 5mm Flat SS	23
8	GA5003975	Nut M5 Nyloc SS	23
9	GA4522296	Level indicator, 60L induction hopper	1
10	FC220	2" Full Port Worm Screw Clamp	1

Continued over page

ITEM NO.	PART NUMBER	DESCRIPTION	QTY.
11	200G	Seal, EPDM, Suit 2" flange fitting, Banjo	1
12	GA4906645	Pre-assembled 60L Hopper Bottom 2" Flanged	1
13	GA5016473	Tape PM foam 6.4 x 18mm L/Density	1
14	HB050-90	Hose barb, Elbow, 90 degree, 1/2" male thread x 1/2" hose	1
15	GA5020615	Valve, Ball, 12mm male, female thread inlet, outlet, Butterfly handle, SS	2
16	SL050-90	Street elbow, 90 degree, 1/2" female thread x 1/2" male thread	2
17	TF050	1/2" Poly Tank Flange	2
18	B55270-3/4-18	Nozzle, Tank rinsing, 3/4" BSPT female inlet, Teejet	1
19	RN075050	Reducing nipple, 3/4" male thread x 1/2" male thread, Banjo	1
20	HB050	Hose barb, Straight, 1/2" male thread x 1/2" hose, Banjo	1
21	EL050-90	1/2" Poly Pipe Elbow 90 Degree	1
22	510110	Nozzle, Drum & container rinsing, ARAG	1
23	T12T	Tee, Threaded, 1/2" male x 1/2" hose	1
24	NIP050-SH	Nipple, Short, 1/2" male thread x 1/2" male thread, Banjo	1
25	510100	Valve, Drum & container rinsing nozzle, ARAG	1

Hopper Tank 60L - Bottom



Hopper Bottom 2" Flanged - GA4906645

ITEM NO.	PART NUMBER	DESCRIPTION	QTY.
1	GA4552240	Hopper Bottom Venturi Housing with 2" Flange MY14	1
2	SL100-90	Street elbow, 90 degree, 1" male x 1" female, Banjo	1
3	HB075-90	Hose barb, Elbow, 90 degree, 3/4" male thread x 3/4" hose, Banjo	1
4	HB100-90	Hose barb, Elbow, 90 degree, 1" male x 1" hose, Banjo	1
5	GA5018315	Valve, Ball, 20mm male & female thread, Black Butterfly handle	1
6	L057A	Venturi, 9mm outlet, Suit induction hopper	1
7	MVS220CF	Ball valve, 2" Full port , 4 Bolt Flanged, short, Banjo	1
8	FC220	2" Full Port Worm Screw Clamp	1
9	200G	Seal, EPDM, Suit 2" flange fitting, Banjo	1

