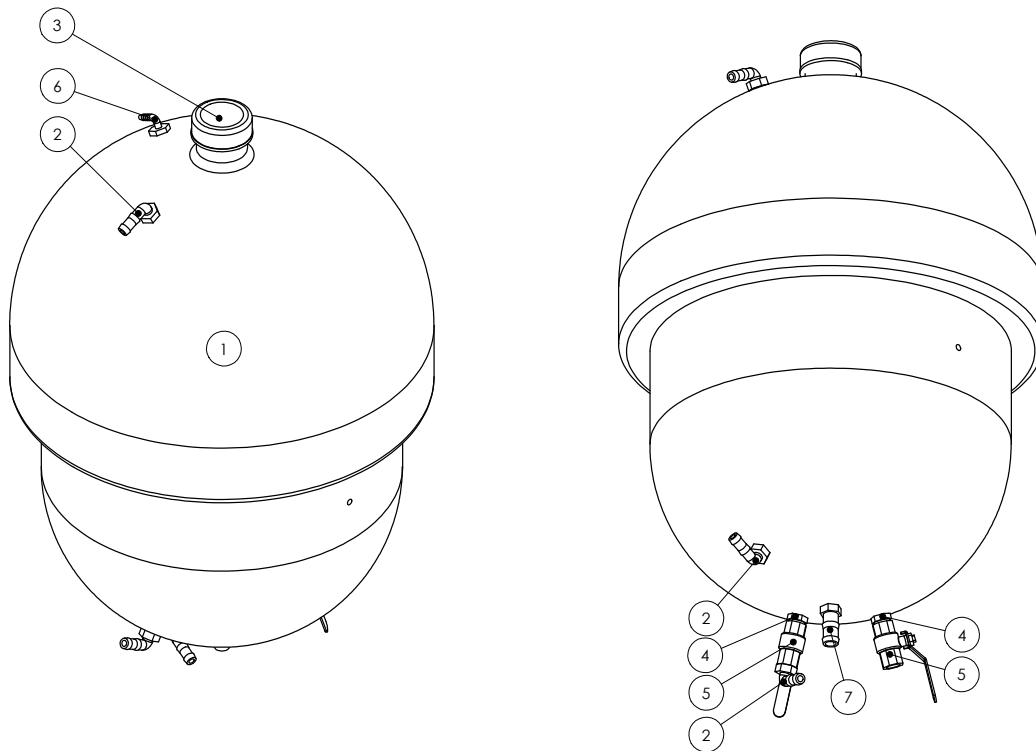


Chapter 9

FOAM MARKER TANK

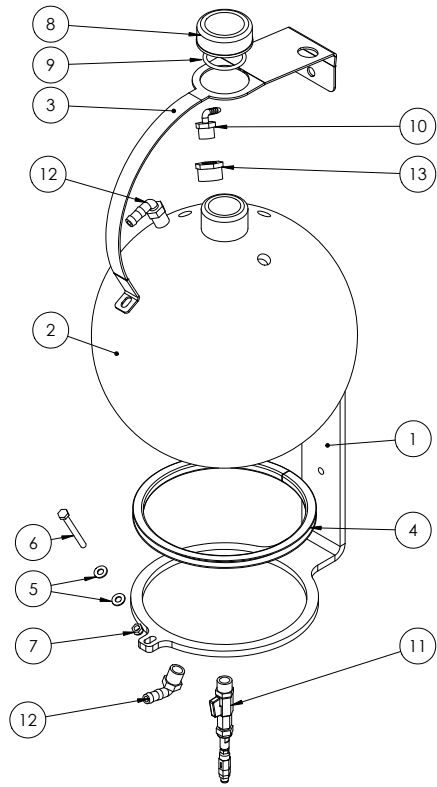
NOTE: Details of the foam marker compressor can be found in the Right Hand Pod chapter

100 Litre Foam Marker Tank



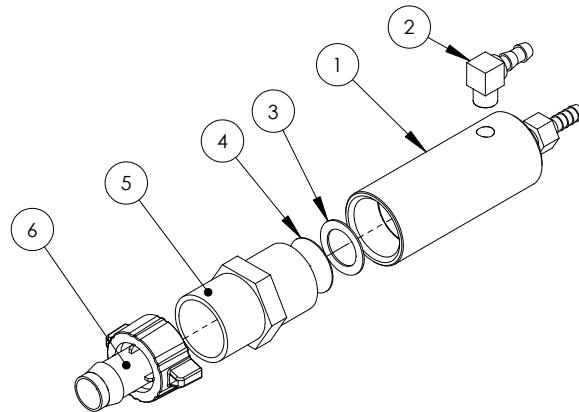
ITEM NO.	PART NUMBER	DESCRIPTION	QTY.
1	GA5018487	Tank, 100L, Exacta foam marker, Purchased	1
2	HB050-90	Hose barb, Elbow, 90 degree, 1/2" male thread x 1/2" hose	3
3	GA5009157	Cap, Suit Exacta foam tank, O-ring not included	1
4	GA5048310	Nipple, 1/2" thread x 1/2" thread, Brass	2
5	GA5018309	Valve, Ball, 12mm female thread inlet / outlet, Lever handle, SS	2
6	EL1214	Hose barb, Elbow, 90 degree, 1/2" male thread x 1/4" hose	1
7	HB050-075	Hose barb, 1/2" male thread x 3/4" hose, Banjo	1
	GA5009187	O-ring, 60 x 5.5mm, suits Exacta tank cap	1

Foam Concentrate Bottle



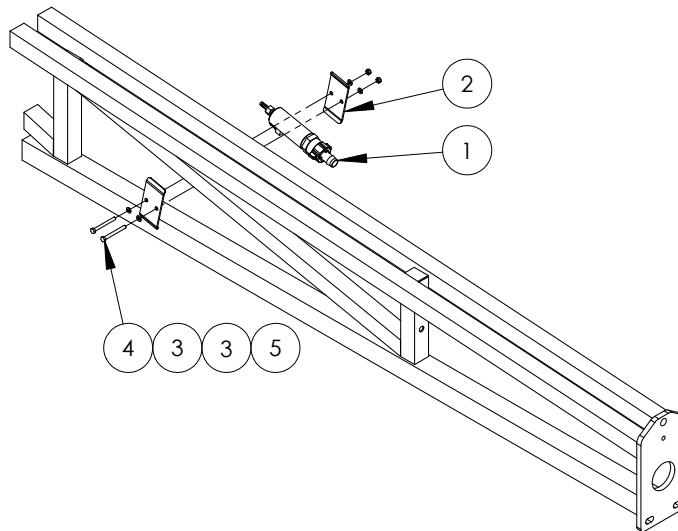
ITEM NO.	PART NUMBER	DESCRIPTION	QTY.
1	F70609A	Direct injection bottle mount plate 10mm FMS	1
2	GA4901038	Tank 25 litre round ball suit foam (Purchased)	1
3	F70622A	Direct inject bottle strap	1
4	GA5010085	Hollow section rectangular rubber	1
5	GA5004883	Washer 8mm Flat ZP Heavy Duty	2
6	GA5004749	Bolt M8 x 80 ZP GR8.8	1
7	GA5004917	Nut M8 Nyloc ZP	1
8	P24730	Cap, Suit Exacta foam tank, O-ring not included	1
9	GA5009187	O-ring, 60 x 5.5mm, suits Exacta tank cap	1
10	EL1214	Hose barb, Elbow, 90 degree, 1/2" male thread x 1/4" hose	1
11	GA4903077	Pre-assembles filter and ball valve for direct foam injection	1
12	HB050-90	Hose barb, Elbow, 90 degree, 1/2" male thread x 1/2" hose, Banjo	2
13	RB100050	Reducer bush, 1" male thread x 1/2" female thread, Banjo	1

Foam Generator



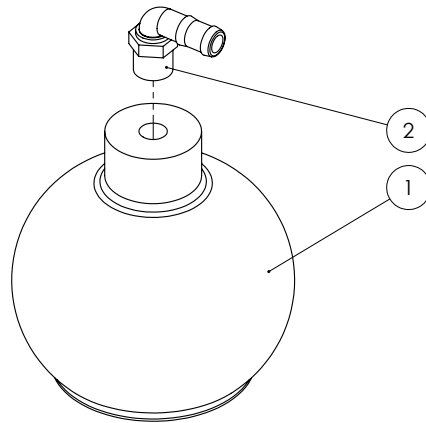
ITEM NO.	PART NUMBER	DESCRIPTION	QTY.
1	FGEN	Foam Generator nozzle sub assembly (3 parts nozzle & body & lock nut)	1
2	GA5066950	Barb elbow brass 1/4" x 1/8"	1
3	GA5002497	Washer, Flat, 3/4" x 1 1/8", Copper	1
4	GA4948390	Filter screen, circle, Suit foam generator, SS, 200 mesh	1
5	NIP100-SH	Nipple, Short, 1" male thread x 1" male thread, Banjo	1
6	GA5007621	Hose barb, Straight, 1" BSP female thread with grip tabs x 19mm hose tail	1

Foam Generator Mounting



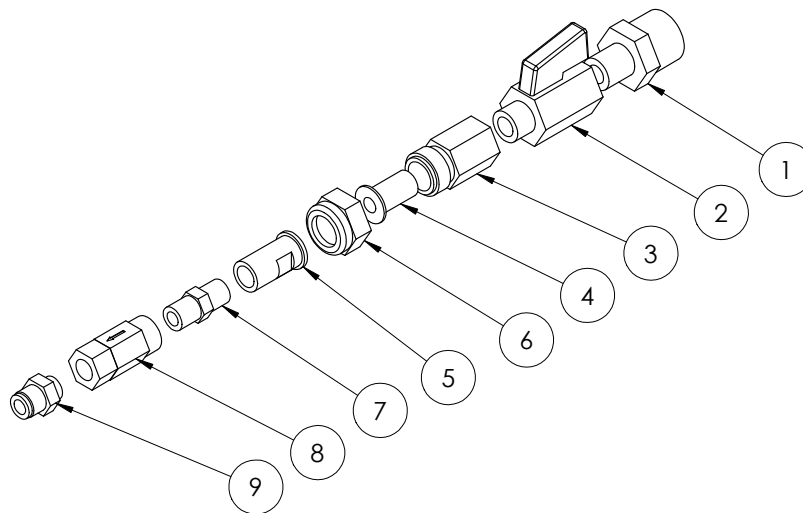
ITEM NO.	PART NUMBER	DESCRIPTION	QTY.
1	FGEN-COM	Foam marker, Foam generator assembly	1
2	F70239A	Bracket, Foam generator clamp	2
3	GA5004437	Washer 6mm Flat SS	4
4	GA5004097	Bolt M6 x 60 ZP GR8.8	2
5	GA5048115	Nut M6 Nyloc ZP	2

Foam Accumulator Assembly



ITEM NO.	PART NUMBER	DESCRIPTION	QTY.
1	GA5008491	Accumulator, Foam marker, Exacta, Green	1
2	HB075-90	Hose barb, Elbow, 90 degree, 3/4" male thread x 3/4" hose	1

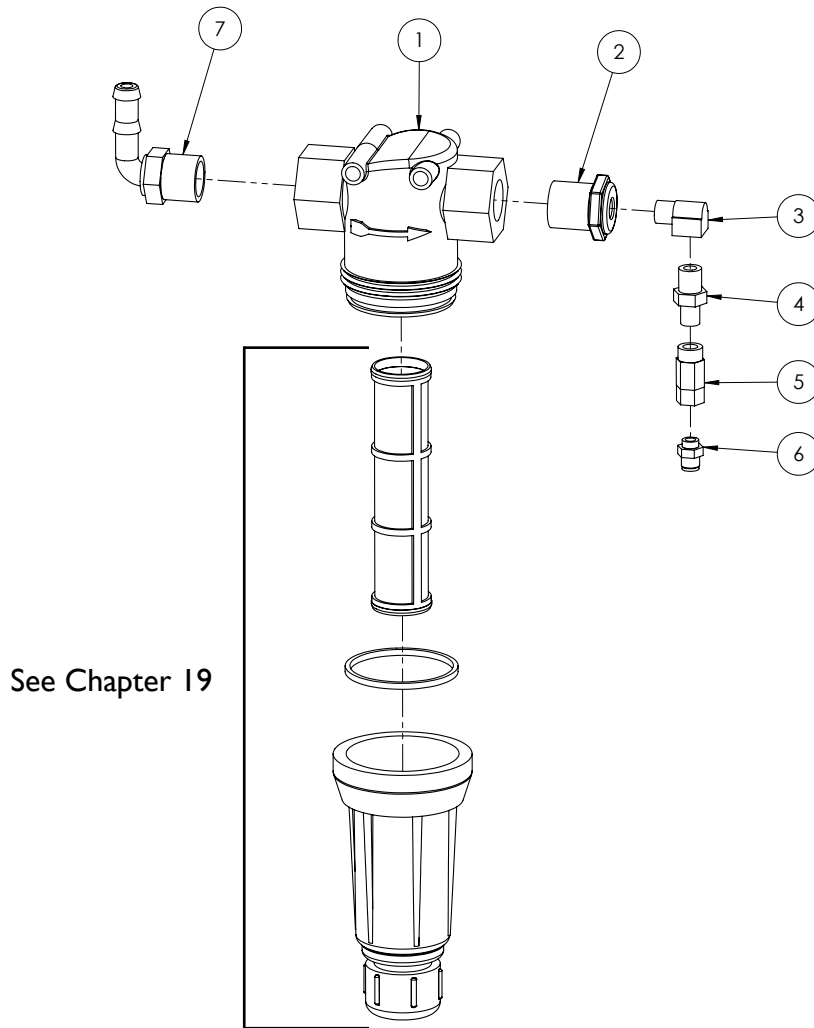
Filter and Ball Valve



GA4903077 Complete Assembly

ITEM NO.	PART NUMBER	DESCRIPTION	QTY.
1	GA5012259	Reducing nipple, 1/2" male thread x 1/4" male thread, Brass	1
2	GA5018323	Valve, Ball, 1/4" male / female thread inlet / outlet, SS, Lever handle	1
3	CPI321	Nozzle body, Single, 1/4" male NPT inlet, Brass, Teejet	1
4	8079-PP-200	Filter screen, Nozzle tip, Orange 200 mesh, Polypropylene & SS, Teejet	1
5	CP4928	Adapter, Brass, 4908	1
6	CPI325	Nozzle cap, Brass, CPI 325, Teejet	1
7	GA5066935	Nipple brass 1/8" x 1/8"	1
8	GA5018147	Check valve inline 1/8" NPT Female	1
9	GA5050210	Pneumatic fitting, Nipple, 1/8" BSPP male x 6mm push type	1

Foam Marker Filter



ITEM NO.	PART NUMBER	DESCRIPTION	QTY.
1	AAB126ML-3-200	Filter, 3/4" female thread inlet / outlet, Orange 200 mesh screen, Teejet	1
2	RB075025	Reducing bush, 3/4" male thread x 1/4" female thread, Banjo	1
3	GA5048305	Elbow, 90 degree, 1/4" BSP male x 1/4" BSP female, Brass	1
4	GA5013809	Reducing Nipple 1/4" x 1/8"	1
5	GA5018147	Check valve inline 1/8" NPT Female	1
6	GA5050210	Pneumatic fitting, Nipple, 1/8" BSPP male x 6mm push type	1
7	HB075/050-90	Hose barb, Elbow, 90 degree, 3/4" male thread x 1/2" hose, Banjo	1

