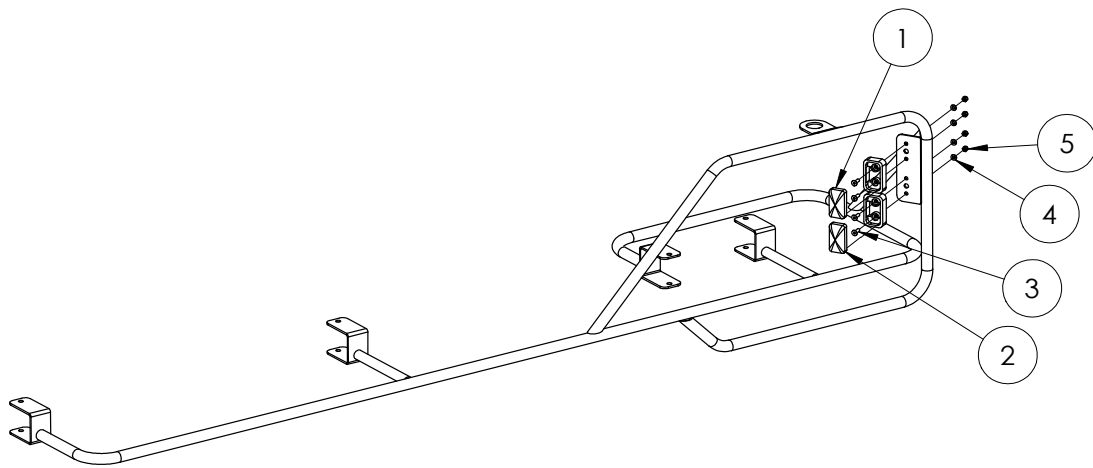


Chapter 13

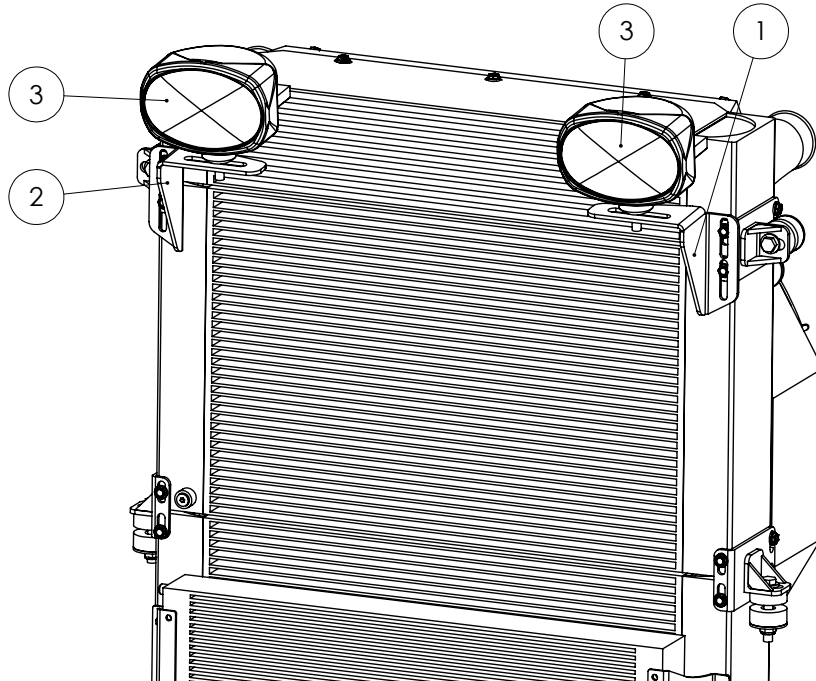
ELECTRICS

Boom LED Lights



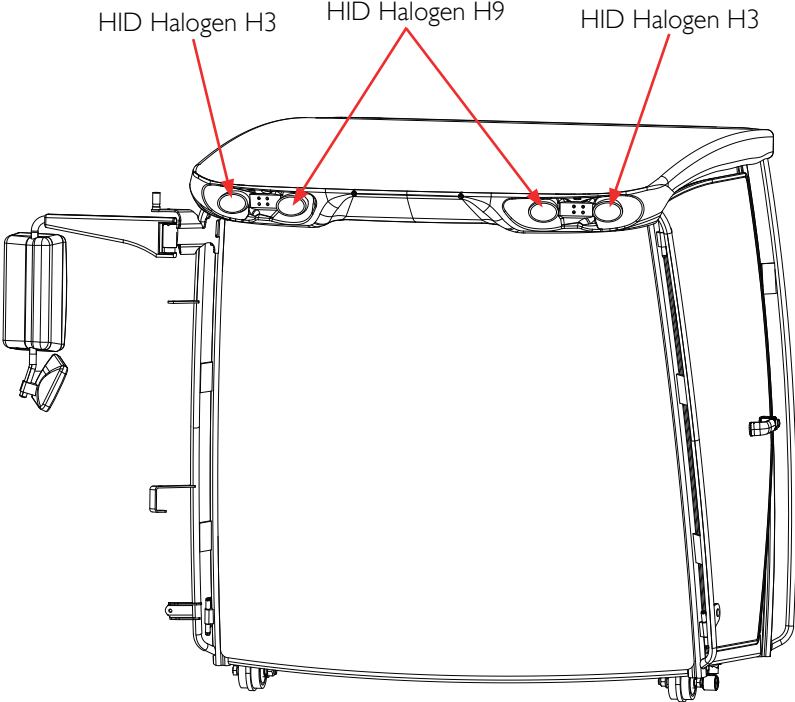
ITEM NO.	PART NUMBER	DESCRIPTION
1	GA5060057	Light Boom Clearance LED (orange)
2	GA5060056	Red LED Fence line jet clearance light
3	GA5051230	Bolt M5 x 16mm FHCS 45°
4	GA5003983	M5 washer SS
5	GA5003975	M5 Nyloc nut SS

Headlights



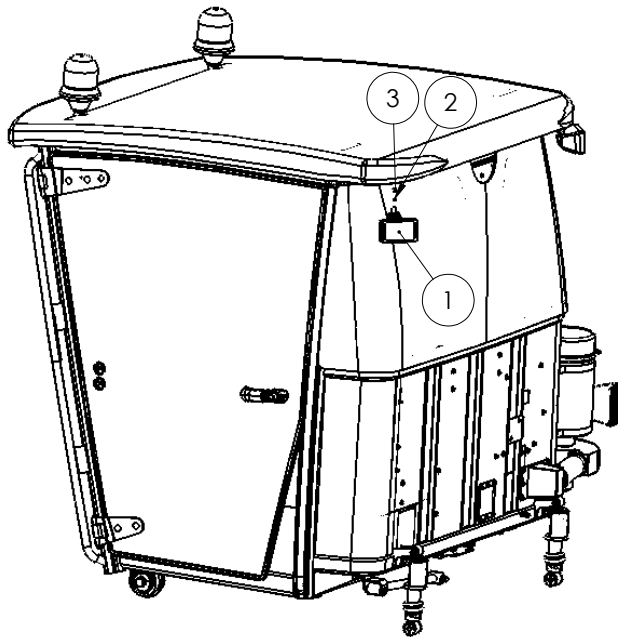
ITEM NO.	PART NUMBER	DESCRIPTION	QTY.
1	GA4504110	Plate -Headlight mount LH 2011	1
2	GA4504115	Plate -Headlight mount RH 2011	1
3	GA4906285	Hella Headlight SP Claas	2

Cab Lights - Front



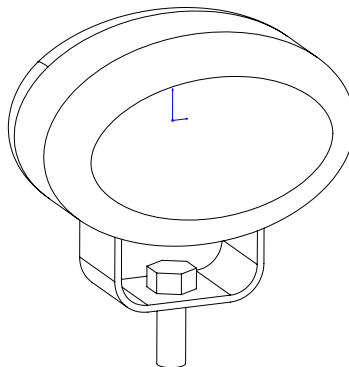
ITEM NO.	PART NUMBER	DESCRIPTION	QTY.
1	GA5052776	HID Light kit, Slimline, 55W 6000K H9	2
2	GA5052780	HID Light kit, Slimline, 55W 6000K H3	2

Cab Lights - Rear



ITEM NO.	PART NUMBER	DESCRIPTION	QTY.
1	GA5050105	Flood light Stingray	2
2	GA5003643	Washer 8mm SS HD	2
3	GA5052590	Nut M8 Nyloc S/S 316	2
4	GA5052780	HID light kit Slimline 55w 6000k H3 - not shown	2

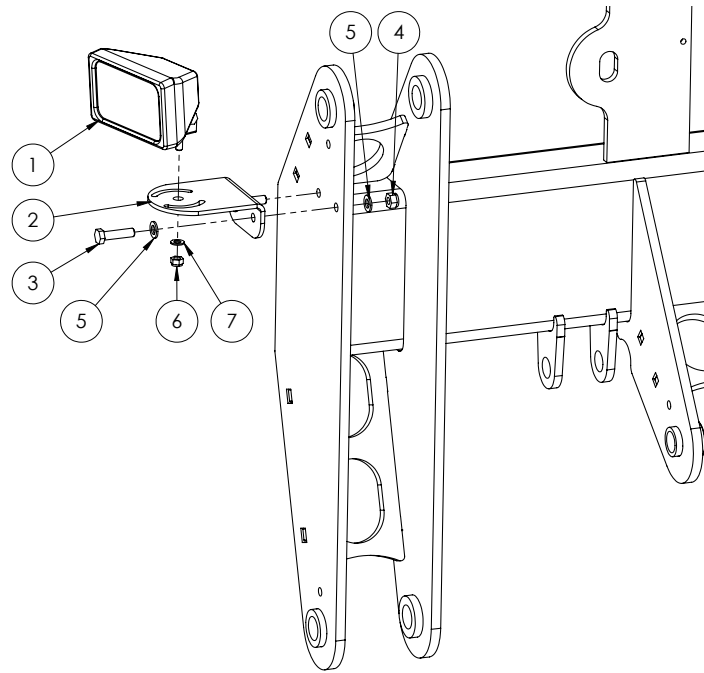
Work Lights



ITEM NO.	PART NUMBER	DESCRIPTION	QTY.
1	GA5052325	Work Light - Narva 72446	3

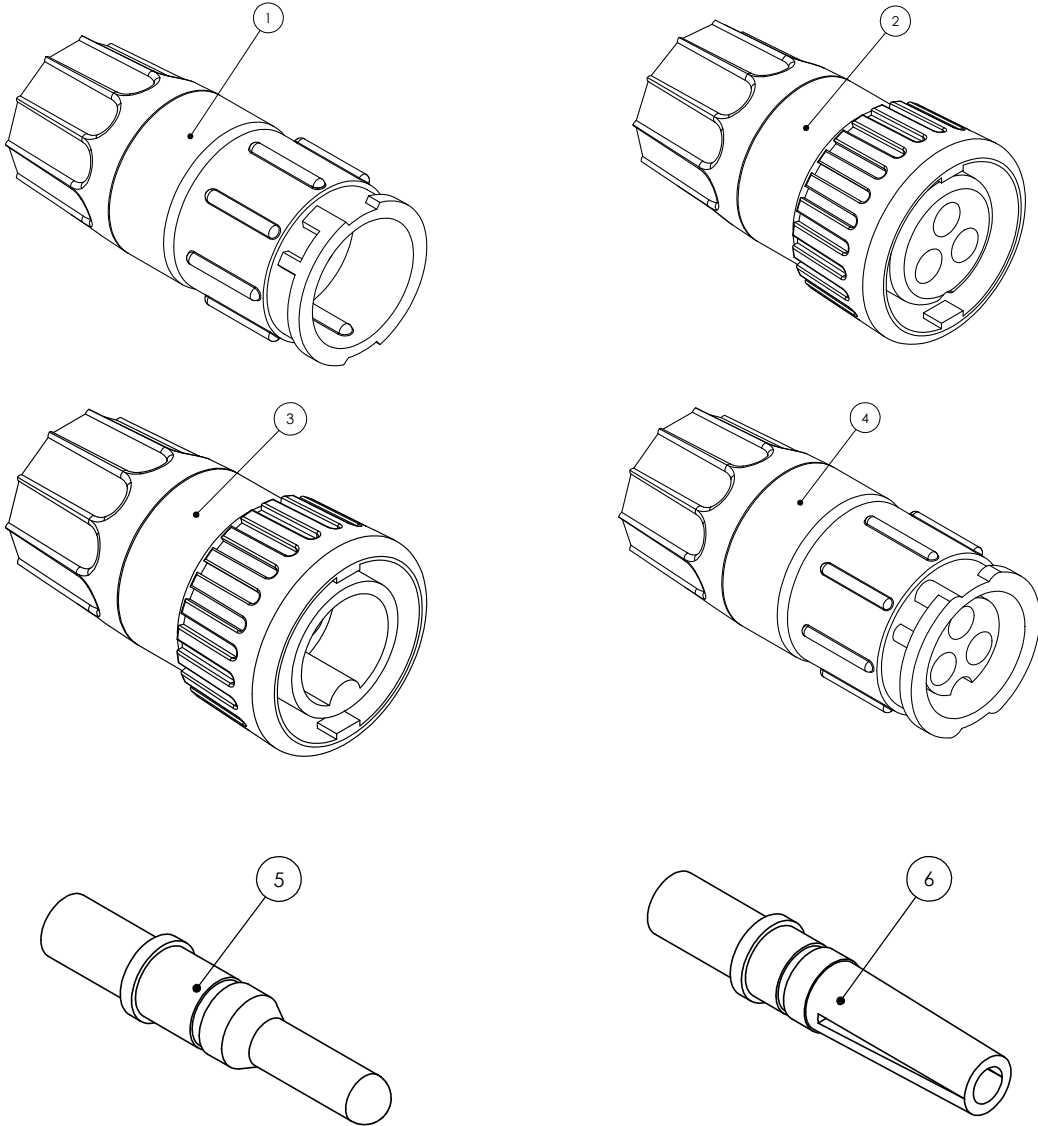
Lights mounted on rear cross member underneath sprayer; on left side hand rail near tank and on boom rest above spray pod.

Boom Work Lights



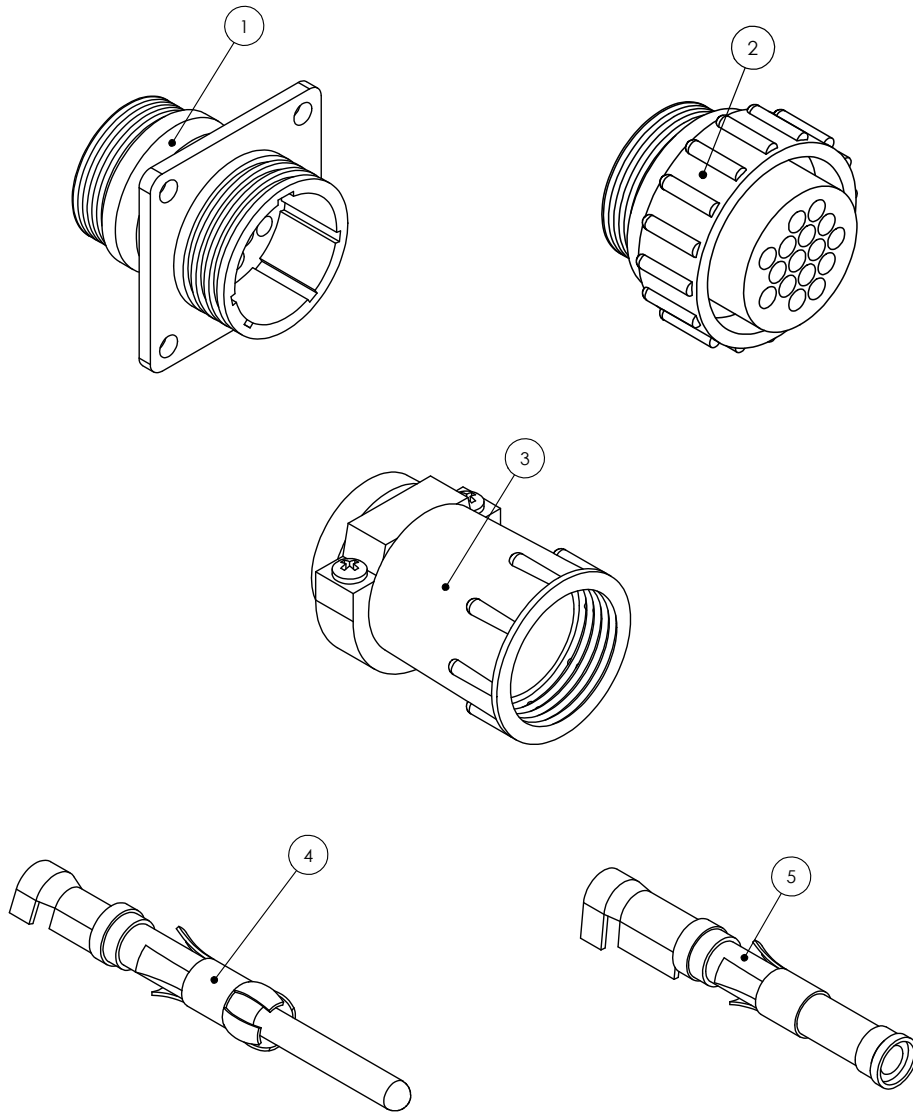
ITEM NO.	PART NUMBER	DESCRIPTION	QTY.
1	GA5050105	Flood light Stingray	1
2	GA4504321	Mount-Spot LED light chassis head stock SP 201 I	1
3	GA5006071	Bolt M10x40 GR10.9 ZP	2
4	GA5000141	M10 Nyloc Nut	2
5	GA5000117	Washer 10mm SS Heavy duty	4
6	GA5052590	Nut M8 Nyloc S/S 316	1
7	GA5003643	Washer 8mm SS HD	1

Raven (AMP) Electrical Connectors



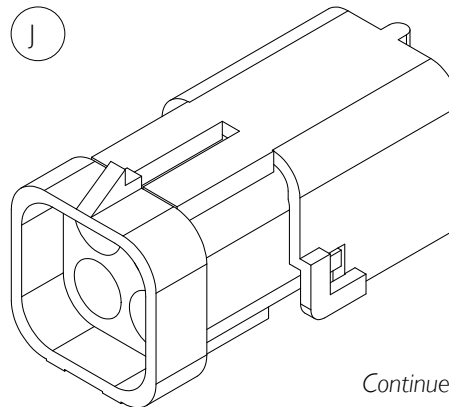
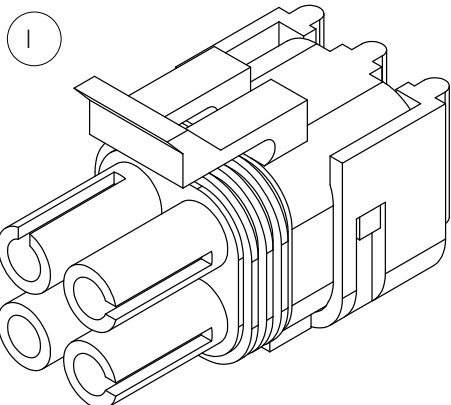
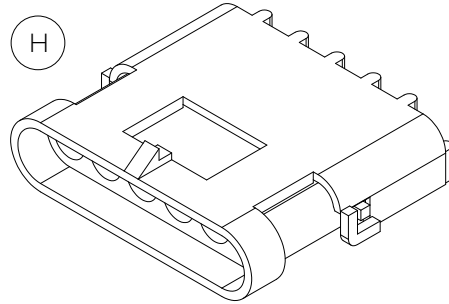
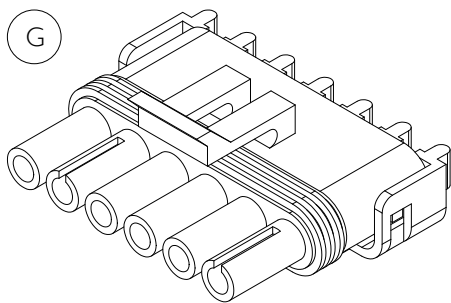
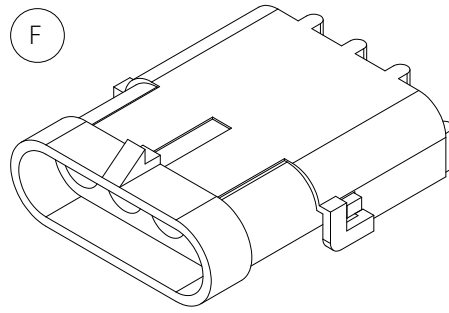
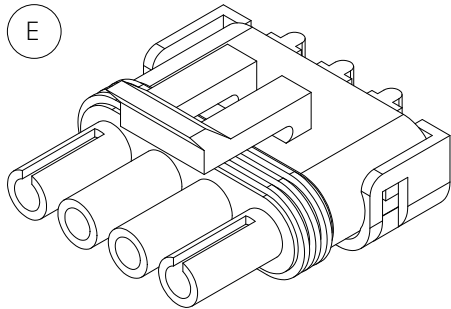
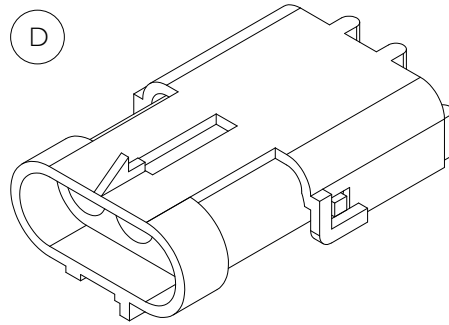
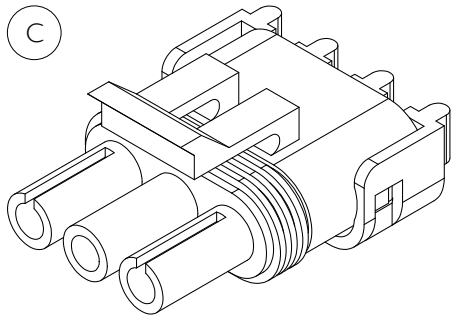
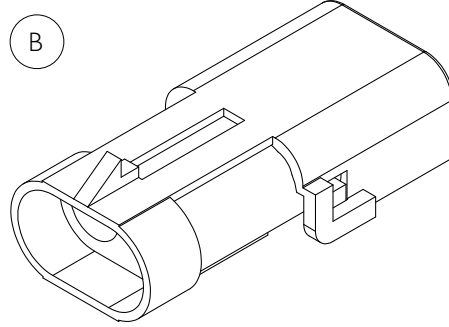
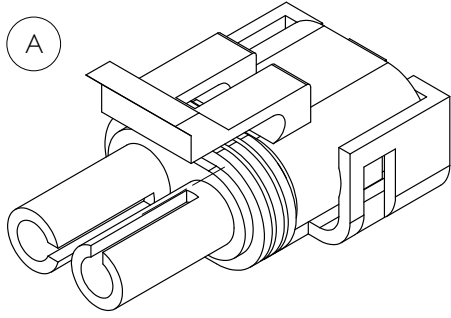
ITEM NO.	PART NUMBER	DESCRIPTION
1	4084001014	Male Flow Meter Connector
2	4084001015	Female Flow Meter Connector
3	4084001010	Male Speed Sensor Connector
4	4084001016	Female Speed Sensor Connector
5	4084001062	Male Pin for Flow Meter & Speed Sensor Connectors
6	4084001063	Female socket for Flow Meter & Speed Sensor Connectors

Raven (AMP) Electrical Connectors



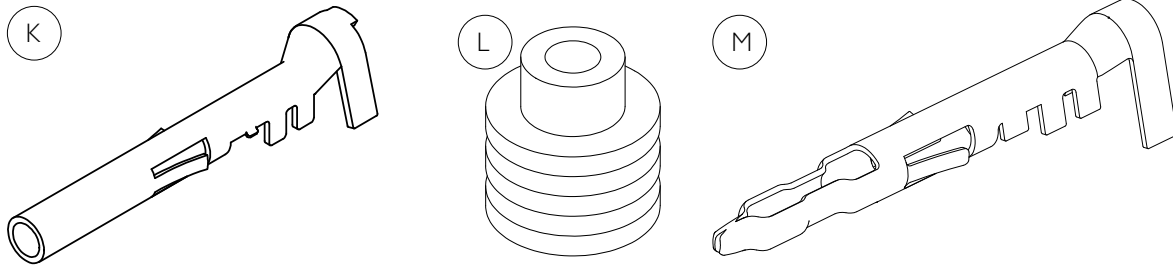
ITEM NO.	PART NUMBER	DESCRIPTION
1	4084001017	Male Loom Connector for 440 & 450 Consoles (16 Pin)
2	4084001018	Female Loom Connector for 440 & 450 Consoles (16 Pin)
3	GA5049175	Backing Shell for 16 Pin Connectors
4	GA5048905	Gold Male Pin For Raven Loom Connectors
5	GA5048900	Gold Female socket for Raven Loom Connectors
	GA5020785	Male loom connector 37 pin (not shown)
	GA5020780	Female loom connector 37 pin (not shown)
	GA5020560	Backing Shell 37 pin connector (not shown) Small
	GA5020559	Backing Shell 37 pin connector (not shown) Large

Electrical Connectors



Continued over page

Electrical Connectors



ITEM NO.	PART NUMBER	DESCRIPTION
A	GA5001351	Male 2 Pin Plug
B	GA5007381	Female 2 Pin Plug
C	GA5002211	Male 3 Pin Plug
D	GA5048550	Female 3 Pin Plug
E	GA5007385	Male 4 Pin Flat Plug
F	GA5007383	Female 4 Pin Flat Plug
G	GA5004009	Male 6 Pin Plug
H	GA5048510	Female 6 Pin Plug
I	GA5049000	Male 4 Pin Square Plug
J	GA5050805	Female 4 Pin Square Plug
K	GA5016619	Female Type Socket
L	GA5014857	Rubber Seal (Green)
M	GA5016617	Male Type Pin

Electrical Looms

Raven System

PART NUMBER	DESCRIPTION
GA5060031	Loom main crop cruiser suit 2011 model
GA5060046	Loom side dash cab chassis CC MY12
GA5060047	LOOM SIDE DASH SUIT RAVEN EQUIPED CROP CRUISER 2011
GA5060049	Loom side console suit crop cruiser MY12
GA5060040	Loom Crop Cruiser Spray Module suit QSB model
GA5060043	BOOM LOCKOUT ELECTRICAL LAYOUT
GA5060044	Loom for Can track suit CC MY12
GA5060061	Loom Raven Cooler Cabin fridge
GA5060037	Battery lead kit
GA5060042	Cabin fuse box battery lead kit

Short Wheel Base

PART NUMBER	DESCRIPTION
GA5060031	Loom main crop cruiser suit 2011 model
GA5060046	Loom side dash cab chassis CC MY12
GA5060034	transmission harness
GA5060052	Loom Chassis hydraulics suit SWB CC
GA5060051	Loom Chassis suit SWB CC with Raven 450
GA5060049	Loom side console suit CC MY12
GA5060248	console loom for switch box A & B
GA5060044	can track loom
GA5060242	switch box loom (suits all three)
GA5016313	Tail Lights Loom
GA5060066	Loom SWB SP Tail light connection MY1

Lykketronic System

PART NUMBER	DESCRIPTION
GA5060031	Loom main crop cruiser suit 2011 model
GA5060046	Loom side dash cab chassis CC MY12
GA5060043	BOOM LOCKOUT ELECTRICAL LAYOUT
GA5060062	Loom Lykketronic Cooler Cabin Fridge
GA5060066	Loom SWB SP Tail light connection MY11 + lykketronic system
GA5060068	Loom cabin power supply lead kit suit 2011 Lykketronic
GA5060038	Side console loom to suit Lykketronic SP MY11
GA5060039	handbrake switch sub loom
GA5060042	Cabin fuse box battery lead kit
GA5060037	Battery lead kit
GA5069570	Loom Controller CAN breakout t/s Lykketronic