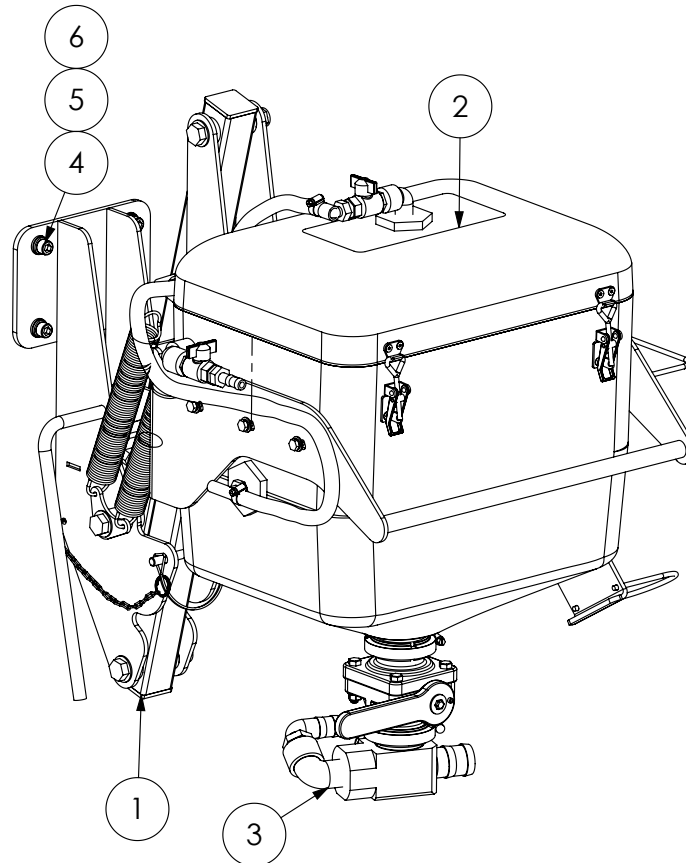


Chapter 8

INDUCTION HOPPER

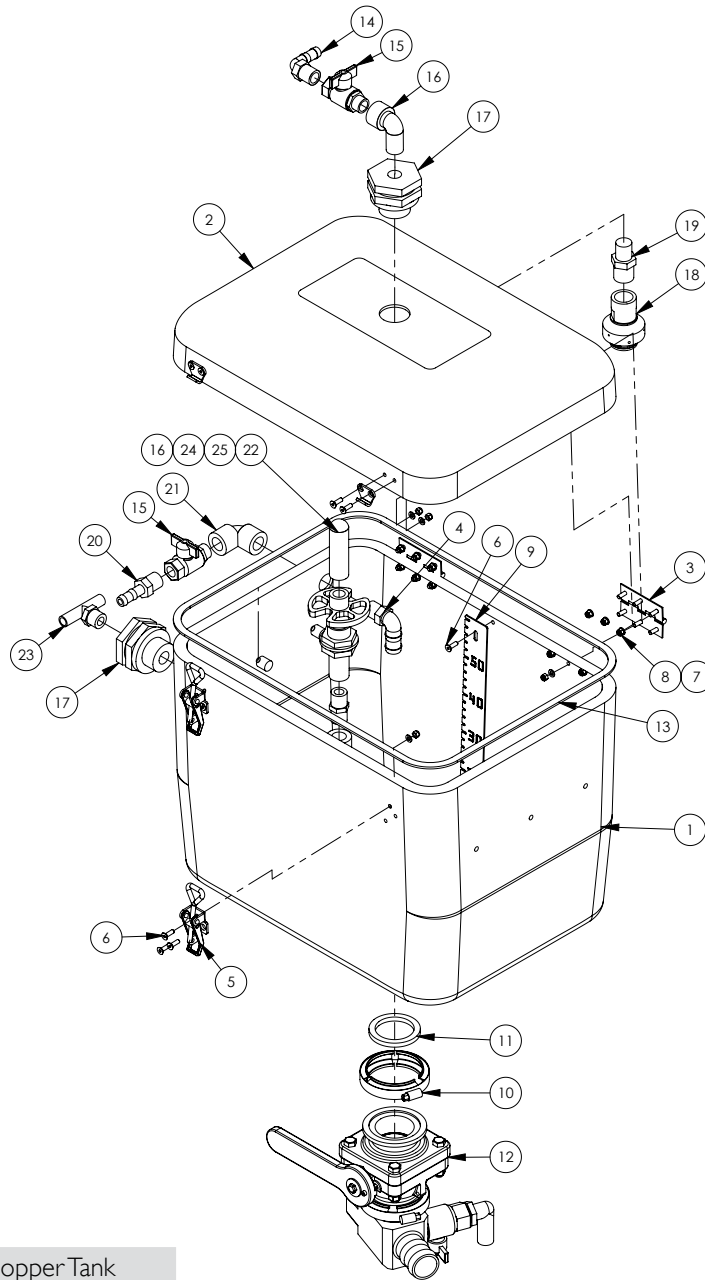
Hopper Tank & Frame



GA4906530 Fully Assembled 60L Hopper

ITEM NO.	PART NUMBER	DESCRIPTION	QTY.
1	GA4903049-60CC	Frame, Induction hopper, Pre-assembled, Suit self propelled	1
2	GA4906520	Hopper, Pre-assembled 60L with Flange (rectangle) Hopper Tank	1
3	GA4906645	Pre-assembled 60L Hopper Bottom 2" Flanged	1
4	GA5000577	Washer 12mm Flat SS Heavy Duty	4
5	GA5000575	Washer 12mm Spring SS	4
6	GA5000297	SHCS M12 x 25 ZP GR12.9	4

Hopper Tank



GA4906520 Hopper Tank

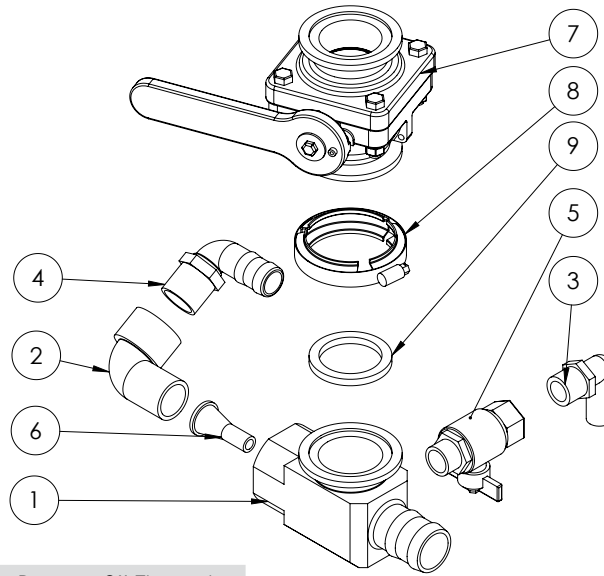
ITEM NO.	PART NUMBER	DESCRIPTION	QTY.
1	GA5071208	Tank, Induction Hopper, 60L with Flange to suit Banjo 220 Valve	1
2	GA5070045	Hopper lid - 07 Advance 65L	1
3	GA5006661	Hinge, Butt, 70 long x 50 wide x 1.5mm, SS	2
4	HB050-075-90	Hose barb, Elbow, 90 degree, 1/2" male thread x 3/4" hose, Banjo	1
5	GA5007071	Latch, Adjustable, Induction Hopper Lid	2
6	GA5051230	CSCS M5 x 16 Countersink SS	23
7	GA5003983	Washer 5mm Flat SS	23
8	GA5003975	Nut M5 Nyloc SS	23
9	GA4522296	Level indicator, 60L induction hopper	1

Continued over page

Hopper Tank

ITEM NO.	PART NUMBER	DESCRIPTION	QTY.
10	FC220	2" Full Port Worm Screw Clamp	1
11	200G	Seal, EPDM, Suit 2" flange fitting, Banjo	1
12	GA4906645	Pre-assembled 60L Hopper Bottom 2" Flanged	1
13	GA5016473	Tape PM foam 6.4 x 18 L/Density	1
14	HB050-90	Hose barb, Elbow, 90 degree, 1/2" male thread x 1/2" hose	1
15	GA5020615	Valve, Ball, 12mm, female thread, male thread, Butterfly handle, SS	2
16	SL050-90	Street elbow, 90 degree, 1/2" female thread x 1/2" male thread	2
17	TF050	1/2" Poly Tank Flange	2
18	B55270-3/4-18	Nozzle, Tank rinsing, 3/4" BSPT female inlet, Teejet	1
19	RN075050	Reducing nipple, 3/4" male thread x 1/2" male thread, Banjo	1
20	HB050	Hose barb, Straight, 1/2" male thread x 1/2" hose, Banjo	1
21	EL050-90	1/2" Poly Pipe Elbow 90 Degree	1
22	510110	Nozzle, Drum & container rinsing, ARAG	1
23	T12T	Tee, Threaded, 1/2" male x 1/2" hose	1
24	NIP050-SH	Nipple, Short, 1/2" male thread x 1/2" male thread, Banjo	1
25	510100	Valve, Drum & container rinsing nozzle, ARAG	1

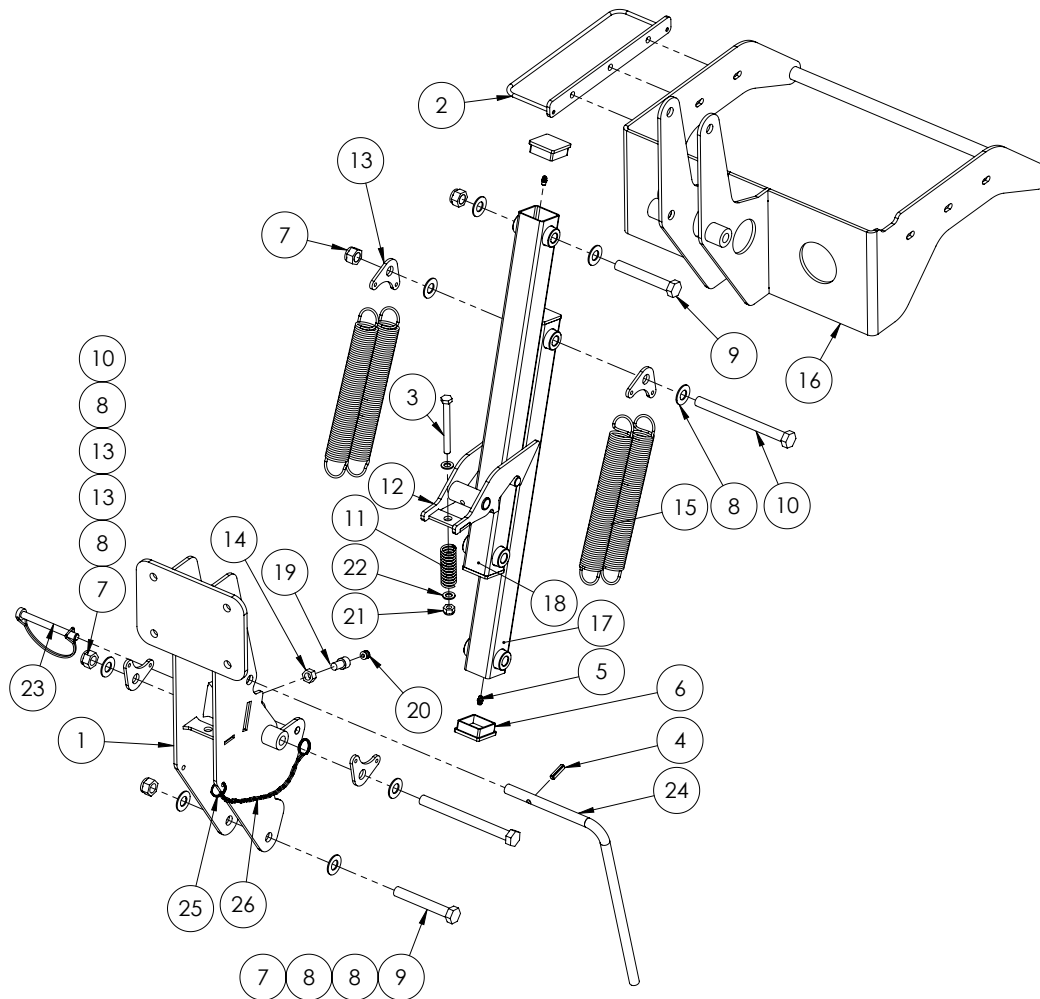
Hopper Tank - Bottom



GA4906645 Hopper Bottom 2" Flanged

ITEM NO.	PART NUMBER	DESCRIPTION	QTY.
1	GA4552240	Hopper Bottom Venturi Housing with 2" Flange MY14	1
2	SL100-90	Street elbow, 90 degree, 1" male x 1" female, Banjo	1
3	HB075-90	Hose barb, Elbow, 90 degree, 3/4" male thread x 3/4" hose, Banjo	1
4	HB100-90	Hose barb, Elbow, 90 degree, 1" male x 1" hose, Banjo	1
5	GA5018315	Valve, Ball, 20mm male & female thread, Black Butterfly handle	1
6	L057A	Venturi, 9mm outlet, Suit Induction Hopper	1
7	MVS220CF	Ball valve, 2" Full port , 4 Bolt Flanged, short, Banjo	1
	FC220	2" Full Port Worm Screw Clamp	1
	200G	Seal, EPDM, Suit 2" flange fitting, Banjo	1

Hopper Frame



GA4903049-60CC Induction Hopper Frame

ITEM NO.	PART NUMBER	DESCRIPTION	QTY.
1	GA4657560	CCSP Hopper Mounting Assembly	1
2	GA4659155	Hose guide bracket SP Hopper 201 I	1
3	GA5011139	Bolt M10 x 100 ZP GR4.6	1
4	GA5075130	Roll pin M8 x 30mm coated	1
5	GA5012203	Grease nipple, Short, 1/4" UNF	4
6	GA5003783	End cap, Insert, Black, Plastic, 50 x 50 mm	4
7	GA5001029	Nut M16 Nyloc ZP	4
8	GA5001009	Washer 16mm Flat ZP Heavy Duty	8
9	GA5000855	Bolt M16 x 110 ZP GR8.8	2
10	GA5000879	Bolt M16 x 180 ZP GR8.8	2
11	GA5007329	Spring compression, 76.2mm x 25.4 x 3.15mm, gold	1
12	GA4653490	Induction Hopper latch Advance	1
13	GA4522294	Mounting plate, Double Induction Hopper spring	4
14	GA5000559	Nut M12 Hex ZP	1
15	GA5007073	Spring, Tension, 38.2 OD x 284.3 long x 3.55mm, Induction Hopper	4

Continued over page

Hopper Frame

ITEM NO.	PART NUMBER	DESCRIPTION	QTY.
16	GA4656855	Induction Hopper, tank support 60L	1
17	GA4657570	CCSP Lower Hopper Arm	1
18	GA4657565	CCSP Upper Hopper Arm	1
19	GA5050330	SHCS M12 x 20 ZP GR12.9	1
20	GA5052905	Insert, suit 12mm Hole, Black, plastic	1
21	GA5000141	Nut M10 Nyloc ZP	1
22	GA5000117	Washer 10mm Flat SS Heavy Duty	2
23	GA5048380	Pin, 11mm OD shaft, Spring Steel wire loop lock, Yellow zinc	1
24	GA4699435	Handle, Induction Hopper Latch arm	1
25	GA5002077	Key ring, 25mm, SS	2
26	GA5001491	Chain 2mm x 20 SS	0.6