



Super Cruiser G8

Parts Manual MY20



  SEE INSIDE COVER
GA8701525 REV00
MAR 2021
FROM SERIAL #203050



GOLDACRES

For further information about any of the products shown please visit - www.goldacres.com.au.

© Goldacres Trading 2020

This publication and all designs are copyright.

No part, products or designs may be reproduced by any process except in accordance with the Copyright act 1968.

All information in this operator's manual is based on the latest product information available at the time of printing. The policy of Goldacres is one of continuous improvement and as such, Goldacres reserve the right to alter any specifications and designs without notice and without incurring any obligation regarding such changes.

No part of this manual may be reproduced without written permission from Goldacres. All photographs and technical information remain the property of Goldacres.

Goldacres Trading Pty Ltd
3 Morang Crescent
Mitchell Park Vic 3355

Ph: 03 5342 6399

Fax: 03 5342 6308

DOWNLOAD AN ELECTRONIC VERSION OF THESE
MANUALS ON THE GOLDACRES WEBSITE:

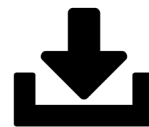
goldacres.com.au

Under Parts & Service > Owner-Operator Manuals:

GA8701526 - Operator's Manual, Super Cruiser G8 MY20

Under Parts & Service > Parts Manuals:

GA8701525 - Parts Manual, Super Cruiser G8 MY20



Contents

I CHASSIS	8	Rinse Water Tank & Frame	43
Chassis - 8000L	8	Rinse Water Tank & Frame	44
36-42m Side Platform & Boom Rest.	9	4 RH POD	45
36-42m Side Platform & Boom Rest.	10	Not Fitted	45
36-42m Side Platform & Boom Rest.	11	5 LH POD	47
36-42m Side Platform & Boom Rest.	12	LH Pod - Mounting.	47
36-42m Side Platform & Boom Rest - Mounting	13	LH Pod - Base	48
48m Side Platform & Boom Rest	14	LH Pod - Base	49
36-42m Boom Rest - Left Side	15	LH Pod - Base	50
36-42m Boom Rest - Right Side	16	LH Pod - Chemical Probe	51
48m Boom Rest - Right Side	17	LH Pod - Micromatic Rinse	52
Left Hand Mirror.	18	Ball Valve - 3-Way - Main Tank/Hopper	53
Tool Box	18	Pressure Delivery Manifold	54
Tool Box	19	Hopper Manifold.	55
Hand Wash Bottle Assembly	20	Main Tank Rinse/Rinse Tank Fill Manifold	56
Cabin - Shockers.	21	Main Tank Rinse/Agitation Manifold.	57
Cabin - Panhard Rod.	22	Valve - Quick Fit 2 Way Assembly.	58
Heat Shield - Headstock.	23	Rinse Tank Fill Manifold Assembly.	59
Cover Plate Lower - LHS	23	Wash Down Gun Assembly	60
Cover Plate Lower - RHS - Battery Cover	24	Wash Down Gun Pump Assembly	61
Cover Plates Under Cabin.	25	Chemical Probe Hose Lance.	62
Bonnet	26	Enviro Coupling & Hose	62
Tow Bar	27	6 DIRECT CHEMICAL INJECTION	63
Air Tank	28	Not Fitted	63
Crop Deflector Set	29	7 DUAL PRODUCT	65
2 PUMPS	30	Not Fitted	65
Spray Pump - Zeta 260	30	8 INDUCTION HOPPER	67
Spray Pump - Zeta 260 - Hydraulic Drive	31	Induction Hopper - 60L	67
Spray Pump - Zeta 260 - Hydraulic Drive	32	Induction Hopper - Tank Assembly	68
Spray Pump - ARAG MSP400	33	Induction Hopper - Tank Assembly	69
Spray Pump - ARAG MSP400 Assembly	34	Induction Hopper - Frame Assembly	70
Spray Pump - ARAG MSP400 Assembly	35	Induction Hopper - Frame Assembly	71
Hydraulic Fill Pump.	36	Hopper Bottom - 2" Flanged	72
Hydraulic Fill Pump.	37	9 FOAM MARKER TANK	73
Hydraulic Fill Pump.	38	Not Fitted	73
Hydraulic Fill Pump.	39		
Hydraulic Fill Pump.	40		
Hydraulic Fill Pump.	41		
Hydraulic Fill Pump.	42		
Chemical Transfer Pump.	42		
3 FLUSH TANK	43		

10 TRANSCAL	75	36m - Boom Centre - Yaw Assembly	107
Not Fitted	75	42m - Boom Centre - Yaw Assembly	108
		42m - Boom Centre - Yaw Assembly	109
11 MAIN TANK	77	36-42m - Boom Centre - Roll Shockers	110
Tank Assembly - 8000L	77	36-42m - Boom Centre - Flow Dividers & Check Valves	111
Tank Assembly - 8000L	78	36-42m - Boom Centre - Centre Level	112
Tank Assembly - 8000L	79	48m - Boom Centre - Paralift	113
Tank Cradle - 8000L	80	48m - Boom Centre - First Stage Fold - Fabricated Hinge	114
Tank Rinsing Nozzle - Elbow Assembly	81	48m - Boom Centre - First Stage Fold - Cast Hinge	115
Tank Rinsing Nozzle - Tee Assembly	81	48m - Boom Centre - RH Cast Hinge	116
Tank Fill - Venturi Assembly	82	48m - Boom Centre - LH Cast Hinge	117
Supermix Agitator - Angled Barb	83	48m - Boom Centre - Tilt Rams	118
Supermix Agitator - Straight Barb	84	48m - Boom Centre - Delta Links	119
Tank Fill - 1" Chemical Assembly	85	48m - Boom Centre - Yaw	120
Tank Fill - 2" Hopper Assembly	85	48m - Boom Centre - Bump Stops	121
Tank Fill - Boom Recirculation Assembly	86	48m - Boom Centre - Roll Shockers	122
Tank Fill - 3" Front & Side Fill Assembly	86	48m - Boom Centre - Level	123
3" Front Fill, Option (50058)	87	48m - Boom Centre - Level	124
3" Front Fill, Tank Inlet Assembly	88	48m - Boom Centre - Hydraulic Control Manifold	125
3" Front Fill, Fill Point Assembly	89	48m - Aluminium Spray Bar	126
Outlet - Tank Overflow 3"	90	Oversize Sign (Old)	127
Breather Valve Assembly	90	Oversize Sign (New)	128
Remote Drain - 3"	91	Delta Link - Short - 36-48m	129
Dry Sight Tube - Cap & Tube Assembly	92	Lower Limit Switch - 36-42m	130
Dry Sight Tube - Float & Guide	93	Lower Limit Switch - 48m	131
Dry Sight Tube - Locating Cap Assembly	94	Tilt Sensor - 48m (Front Mount)	132
Dry Sight Tube - Float Assembly	94	Tilt Sensor, MY20 - 48m - (Fabricated - Rear Mount)	133
Dry Sight Tube - Mount	95	Tilt Sensor, MY20 - 48m (Cast Hinge)	134
		Manual Grease Station	135
12 WHEELS & MUDGUARD	96	RapidFire Components - 36-42m	136
Mud Guards - Front Axle (520/85R46 Tyre)	96	RapidFire Components - 36-42m	137
Mud Guards - Rear Axle (520/85R46 Tyre)	97	RapidFire Components - 48m	138
Wheels & Tyres	97	RapidFire Components - 48m	139
		Norac System - 36-42m	140
13 BOOM CENTRE	98	Norac System - 48m	141
Paralift 36-42m	98	Norac Spare Parts List	142
Paralift 36-42m	99	Norac Spare Parts List	143
36m - 42 - Boom Centre - Base Assembly	100		
36 - 42 - Boom Centre Base Assembly	101	14 BOOM WINGS	144
36m - Boom Centre - Tilt Assembly	102	36-42m - Boom Pivot	144
36 - Boom Centre - Tilt Assembly	103	36m - First Stage Fold	145
42m - Second Stage Fold - Lower Pivot	104	42m - First Stage Fold	146
36-42m - Breakaway Springs	105	36-42m - Second Stage Fold	147
36m - Boom Centre - Yaw Assembly	106	36-42m - Second Stage Fold	148

36-42m - Bi-fold Boom Catch (Old Style)	149	48m - Breakaway - Pivot Assembly	188
36-42m - Bi-fold Boom Catch Bracket & Mounting (Old Style)	150	48m - Nozzle Body & Blue LED Work Light Mounting . . .	189
36-42m - Bi-fold Boom Catch Assembly (Old Style) . . .	151	Work Light - Blue LED.	190
36-42m - Bi-fold Boom Catch Bracket & Mounting (New Style)	152	48m - Nozzle Bracket & Boom Poly Clamps	191
36-42m - Bi-fold Boom Catch Assembly (New Style). . .	153	48m - Nozzle Bracket Extension Assembly	192
36m - Second Stage Fold - Lower Pivot	154	48m - Breakaway - Nozzle Body Brackets.	193
36m - Second Stage Fold - Upper Pivot	154	48m - Boom Wings Inner - Steel	194
36-42m - Breakaway Springs.	155	48m - Boom Wings, Mid & Outer - Aluminium	194
36-42m - Breakaway Cables	156	48m - Breakaway Aluminium Tip	194
36-42m - Aluminium Outer Assembly.	157	48m - Boom Bumper & Protectors	195
36m - Poly Brackets	158	36-42m - 3D Breakaway Tip.	196
42m - Poly Brackets & 4th Chord	159	36-42m - 3D Breakaway Tip.	197
36-42m - Boom Wings Inner - Steel.	160	36-42m - 3D Breakaway Tip - End Protector	198
36-42m - Boom Wings Outer - Aluminium	160	48m - 3D Breakaway Tip - End Protector.	199
36-42m - Breakaway Aluminium Tip.	160		
36-42m - Boom Saddle & Protectors	161	15 ELECTRICS	200
36-42m - Boom Slide Protectors	162	Lighting - Boom Tip LEDs	200
36-42m - Boom Stopper.	163	Lighting - Headlight & Indicator	201
36-42m - Boom Bumper Assembly	164	Lighting - Bonnet LED Light Bar - Optional	201
36-42m - Touch Down Wheel.	165	Lighting - Cab Front	202
36-42m - Touch Down Wheel	166	Lighting - Cab Lights Rear	203
48m - Boom Pivot	167	Lighting - Beacon Lights	203
48m - Boom Catch.	168	Lighting - Tail Lights	204
48m - Boom Catch Assembly	169	Lighting - Side deck.	205
48m - Second Stage Fold.	170	Lighting - Tank Cradle	206
48m - Second Stage Fold.	171	Lighting - Night Pro LEDs	207
48m - Second Stage Fold - Latch Assembly	172	Lighting - Egress Relay	207
48m - Second Stage Fold - Rose Ends & Boom Stops . . .	173	Cabin - Fuse Boxes.	208
Rose End Assembly, Forged - Top.	174	Fuse Box 'A' - Cabin	209
Rose End Assembly, Forged - Bottom.	174	Fuse Box 'B' - Cabin	210
Rose End, Forged	175	Fuse Box 'C' - Cabin	211
48m - Boom Bearing End Assembly	176	Cabin - Fuse Boxes.	212
48m - Second Stage Fold - Boom Protectors	177	Cabin - Fridge - Optional	212
48m - Rapid Fire Air Tank & XRT Sensor Mounting. . . .	178	Batteries	213
Rapid Fire Air Tank Assembly	179	Battery Isolator	214
Raven XRT Sensor & Bracket Assembly.	180	Bus Bar	215
48m - Third Stage Fold.	181	Reverse Warning Beeper	216
48m - Third Stage Fold - Link Assembly.	182	Horn	216
48m - Third Stage Fold - Rose Ends	183	Electrical Connectors - Raven - RCM & XRT	217
48m - Third Stage Fold - Rose End Linkage	184	Electrical Connectors - Raven - RCM & XRT	218
48m - Third Stage Fold - Cylinder Mounting Assembly . .	185	Electrical Connectors - ISO Bus - Deutsch & Raven . . .	219
48m - Breakaway Chain Assembly.	186	Electrical Connectors - ISO Bus - Deutsch & Raven . . .	220
48m - Breakaway Chain Assembly.	187	Electrical Connectors - AMP.	221
		Electrical Connectors - AMP.	222

Electrical Connectors - Deutsch	223
Electrical Connectors - Deutsch	224
Electrical Connectors - Weather Pack	225
Electrical Connectors - Weather Pack	226
Electrical Harnesses & Components	227
Electrical Harnesses & Components	228

16 SCHEMATICS **229**

Hydraulics - Transmission Lines	229
Hydraulics - Chassis - 36mt	230
Hydraulics - Boom - 36mt	231
Hydraulics - Fan & Braking System - 36mt	232
Hydraulics - Oil Tank & Pumps - 36mt	233
Hydraulics - Raven XRT - 36mt	234
Hydraulics - Chassis - 42mt	235
Hydraulics - Boom - 42mt	236
Hydraulics - Fan & Brake Circuit - 42mt	237
Hydraulics - Oil Tank & Pumps - 42mt	238
Hydraulics - Raven XRT - 42mt	239
Hydraulics - Chassis - 48mt	240
Hydraulics - Booms - 48mt	241
Hydraulics - Fan & Brake Circuit - 48mt	242
Hydraulics - Oil Tank & Pumps - 48mt	243
Hydraulics - Raven XRT - 48mt	244
Hydraulics - Hose List	245
Hydraulics - Hose List	246
Hydraulics - Hose List	247
Hydraulics - Hose List	248
Hydraulics - Hose List	249
Norac - Active Wing Roll	250
Norac - Active Wing Roll - Hose List	251
Norac - Passive Wing Roll	252
Norac - Passive Wing Roll - Hose List	253
Pneumatics - Schematic	254
Plumbing Schematic - Zeta 260 Pump	255
Plumbing Schematic - Arag MSP400 Pump	256
Plumbing - Hose List	257

17 DECALS **258**

Decals - Base Kit	258
Decals - Base Kit	259
Decals - Base Kit	260
Decals - Base Kit	261
Decals - Base Kit	262

Decals - Base Kit	263
Decals - Tank	264
Decals - Bonnet	264
Decals - Dry Sight Tube	264
Decals - Cabin & Miscellaneous	265

18 HYDRAULICS **266**

Oil Tank & Frame	266
Oil Tank & Frame	267
Oil Tank Reservoir Assembly	268
Gauge Assembly	269
Hydraulic Oil Return Filter	270
Bulkhead	271
Steering Orbital	272
Brake Pedal Assembly	273
Manifold - Trimble Auto Steer	274
Manifold - John Deere Auto Steer	275
Manifold - Park Brake, Fan Relief	276
Manifold - Hydraulic Return	277
Hydraulic Load Sense Control Block	278
Spray Pump Flow Control	279
Valves - Pressure Relief & Priority Valve	280
Pressure Reducing Valve Assembly	281
Double Pilot Operated Check Valve - LH & RH	282
Oil Cooler Mounting	283
Oil Cooler Assembly	284
36m Cylinder - Yaw	285
42m Cylinder - Yaw	286
36-42m Cylinder - Boom Rest	287
36-42m Cylinder - Centre Leveling	287
36-42m Cylinder - First Fold	288
36-42m Cylinder - Second Fold	289
36-42m Cylinder - Boom Tilt	290
36-42m - Spool Valve Block Fittings	291
36-42m - Spool Valve Block Fittings	292
36-42m - Spool Valve Block Manifold	293
36-42m - Spool Valve Block Manifold	294
36-42m - Spool Valve Block - Mounting	294
36-42m Cylinder - Boom Lift	295
48m Cylinder - Boom Lift	296
48m Cylinder - Yaw	297
48m Cylinder - Boom Catch Arm	298
48m Cylinder - Boom Mid Catch	298
48m Cylinder - First Fold Assembly	299

48m Cylinder - First Fold (Old)	300	Nozzles - Teejet Clock Face Body	340
48m Cylinder - First Fold (REV-05)	301	Nozzles - Teejet Clock Face Body	341
48m Cylinder - Second Fold	302	Nozzles - Altek Clamp	342
48m Cylinder - Third Fold (Up to S/N 203576)	303	Nozzles - Altek Dual Spray Body	343
48m Cylinder - Third Fold (From S/N 203795).	304	Nozzles - Altek Spray Stop - Push On Type	344
48m Cylinder - Boom Tilt (Eureka - Up To S/N 204032)	305	Nozzles - Altek Spray Stop - Push In Type	345
48m Cylinder - Boom Tilt (Motus - Up To S/N 204032)	306	Nozzles - Direct Control - Single	346
48m Cylinder - Boom Tilt - 2" Shaft (From To S/N 204098)	307	Nozzles - Direct Control - Dual	347
48m Cylinder - Centre Leveling	308	Nozzles - Direct Control - Dual Assembly	348
48m Hydraulic Control Manifold, (Mounting & Adaptors)	309	Nozzles - Fence Line - Solenoid Operated	349
48m Hydraulic Control Manifold, (Cartridges & Coils)	310	Nozzles - Tip Strainers	350
48m Hydraulic Control Manifold - (Function Table).	311	Nozzles - IDK - Cap	350
48m Hydraulic Control Manifold - (Function Table).	312	Nozzles - IDK - Tips	350
Cylinder Rose End - Spare Parts	313	Nozzles - ID3 - Cap	351
Boom Rest & Fill Pump Hydraulic Block	314	Nozzles - ID3 - Tips	351
Boom Rest & Fill Pump Hydraulic Block	315	Nozzles - AIXR - Tips	351
NORAC Valve Block	316	NCV Control Valve - Hawkeye 2	352
Boom Lift Accumulator Lockout - Mounting	317	Plumbing Lines - Miscellaneous	353
Boom Lift Accumulator Lockout	318	Plumbing Lines - Miscellaneous	354
Yaw Control Valve Assembly	319	Plumbing Lines - Nozzle Brackets	355
Yaw Control Charge Line	320	Plumbing Lines - Nozzle Bracket Kits	355
Air Manifold	321	Boom Pipe Clamps - 36-42m	356

19 PLUMBING 322

Dual Pressure Filter Assembly	322	Boom Poly - 3/4" - 600mm	358
Dual Pressure Filter Assembly	323	Boom Poly - 3/4" - 1100mm	358
Suction Filter Mounting	324	Boom Poly - 3/4" - 1200mm	358
Suction Filter Bowl Assembly (317)	325	Boom Poly - 3/4" - 1600mm	359
Suction Filter Bowl Assembly (319)	326	Boom Poly - 3/4" - 2100mm	360
Fill Flow Meter - Teejet	327	Boom Poly - 3/4" - 2600mm	361
Fill Flow Meter - Teejet & Shut Off Valve	327	Boom Poly - 3/4" - 3100mm	361
Regulator Valve - Zeta 260 Pump	328	Boom Poly - 1" - 6000mm	361
Regulator Valve - Zeta 260 Pump	329	Boom Plumbing - 48m	362
Regulator Valve - MSP400 Pump	330	Hoses	363
Regulator Valve - MSP400 Pump	331	Hose Clamps	364
Flow Meter - Raven Controller - Flange Clamps	332	Cable Ties	364
Flow Meter Assembly	333	Spiral Guard	364
Flow Distributor & Boom Recirc. Valve 36-42m	334	Chemical Probe Hose Lance	365
Flow Distributor & Boom Recirc. Valve 36-42m	335	Enviro Coupling & Hose	365
Flow Distributor & Boom Recirc. Valve 48m	336	20 ENGINE & TRANSMISSION 366	
Flow Distributor & Boom Recirc. Valve 48m	337	Cummins Engine & Allison Transmission	366
Nozzles - Teejet Single Body	338	Air Cleaner	367
Nozzles - Teejet Single Body	339	Air Cleaner	368
		Air Cleaner - Heat Shield	368

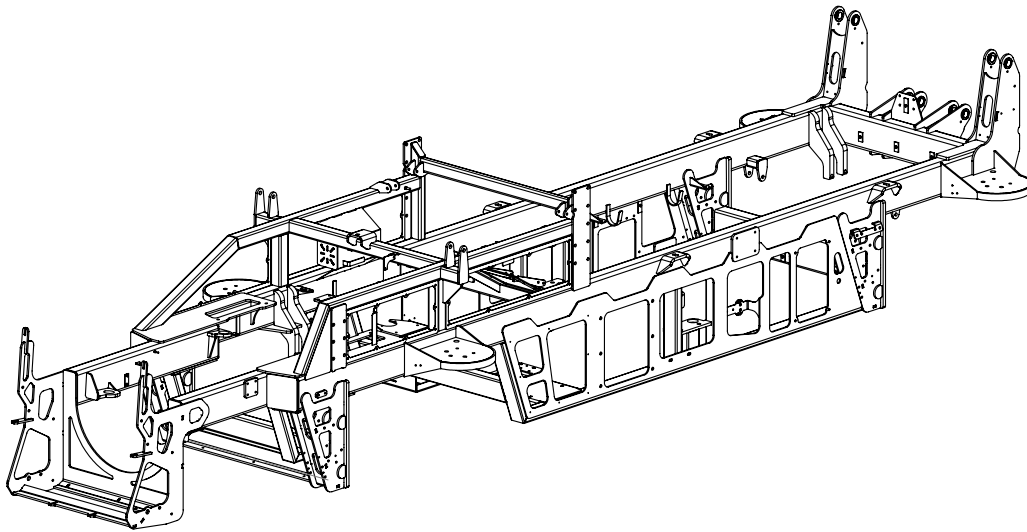
Air Conditioner Compressor & Belts	369	Rear Axle - Driveshafts	409
Coolant System Plumbing	370	Rear Axle - Planetary Hubs	410
Charge Air Intake Pipes	371	Rear Axle - Planetary Hubs	411
Sump Drain	372	Suspension - Air Bags	412
Air Governor.	373	Suspension - Shock Absorbers.	413
Hydraulic Gear Pumps	374	Suspension - Links - Front	414
Hydraulic Gear Pumps Assembly	375	Suspension - Links - Rear	415
Hydraulic Pump - Variable Displacement	376	Suspension - Rear Sway Bar	416
Engine Mounts	377	Ride Height Valve - Front	417
Engine Vibration Isolators	378	Ride Height Valve - Rear.	418
Fuel Tank.	379	Drive Shafts & Transfer Case	419
Fuel Filters	380	Transfer Case - Mounting Bracket, Fill & Drain Plugs	420
Fuel Filter - Primary	381	Transfer Case - Upper Drive Assembly	421
Fluid Drain Point	382	Transfer Case - Upper Drive Assembly	422
Header Tank Mounting	383	Transfer Case - Lower Drive Assembly	423
Header Tank Assembly	384	Transfer Case - Lower Drive Assembly	424
Combination Cooler.	385	Transfer Case - Engagement Assembly	425
Combination Cooler.	386	Transfer Case - Engagement Assembly	426
Combination Cooler.	387	Steering Angle Sensor - John Deere System.	427
Engine Air Divider	387		
Engine Air Divider Assembly	388	22 CABIN	428
Exhaust System - Down Pipe	389	Cabin - Claas	428
Exhaust System - Mid Section	390	Cabin - Claas	429
Exhaust System - Rear Section.	391	Cabin - Claas	430
Exhaust System - Muffler.	392	Cabin - Claas	431
Allison Transmission	393	Cabin - Assembled.	432
Allison Transmission - Spring	394	Cabin - Assembled.	433
		Cabin - Overhead Components.	433
		Cabin - Right Corner Panel	434
		Fuel Gauge	434
		Mirror RHS Extension Bracket.	435
		GPS Accessories Bar.	436
		Fuse Box Cover Mount	437
		Seat & Console.	438
		Seat - Upper Section.	439
		Seat - Lower Section.	440
		Claas Console - Pre Serial Number 104692.	441
		CANTRAK Assembly - Pre Serial Number - 104692	442
		Claas Console - From Serial Number - 104692.	443
		CANTRAK Assembly - From Serial Number - 104692.	444
		Ram Mount Assembly	445
		G Motion Joystick Assembly.	446
		Gear Selector Assembly.	447
		Switch Panel Assembly.	448
21 DRIVE LINES, TRANSFER CASE &			
DIFFERENTIAL	395		
Front Axle - Steering.	395		
Front Axle - Differential	396		
Front Axle - Differential	397		
Front Axle - Brakes	398		
Front Axle - Brakes	399		
Front Axle - Driveshafts	400		
Front Axle - Driveshafts	401		
Front Axle - Planetary Hubs	402		
Front Axle - Planetary Hubs	403		
Rear Axle - Differential	404		
Rear Axle - Differential	405		
Rear Axle - Differential	406		
Rear Axle - Brakes	407		
Rear Axle - Brakes	408		

Left Foot Rest449
Pedal Assembly450
Carbon Filter Assembly - Pre S/N 105264451
Carbon Filter - Pre S/N 105264.452
Carbon Filter - Ultraguard MY24 - S/N 105264 Onward453
Carbon Filter - Ultraguard MY24 - S/N 105264 Onward454
ISOBUS Raven Plug455
John Deere Roof Mount.456

Chapter I

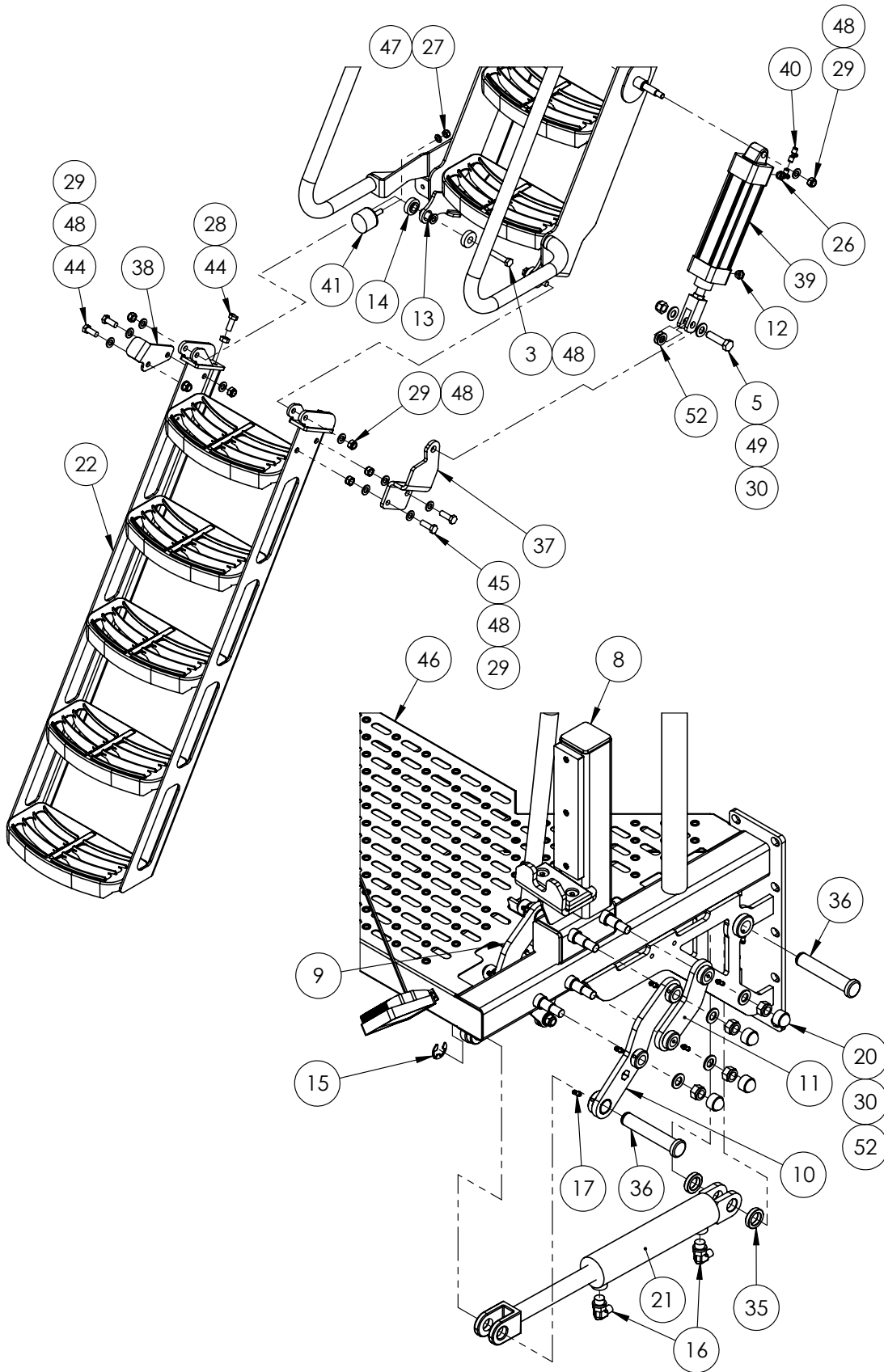
CHASSIS

Chassis - 8000L



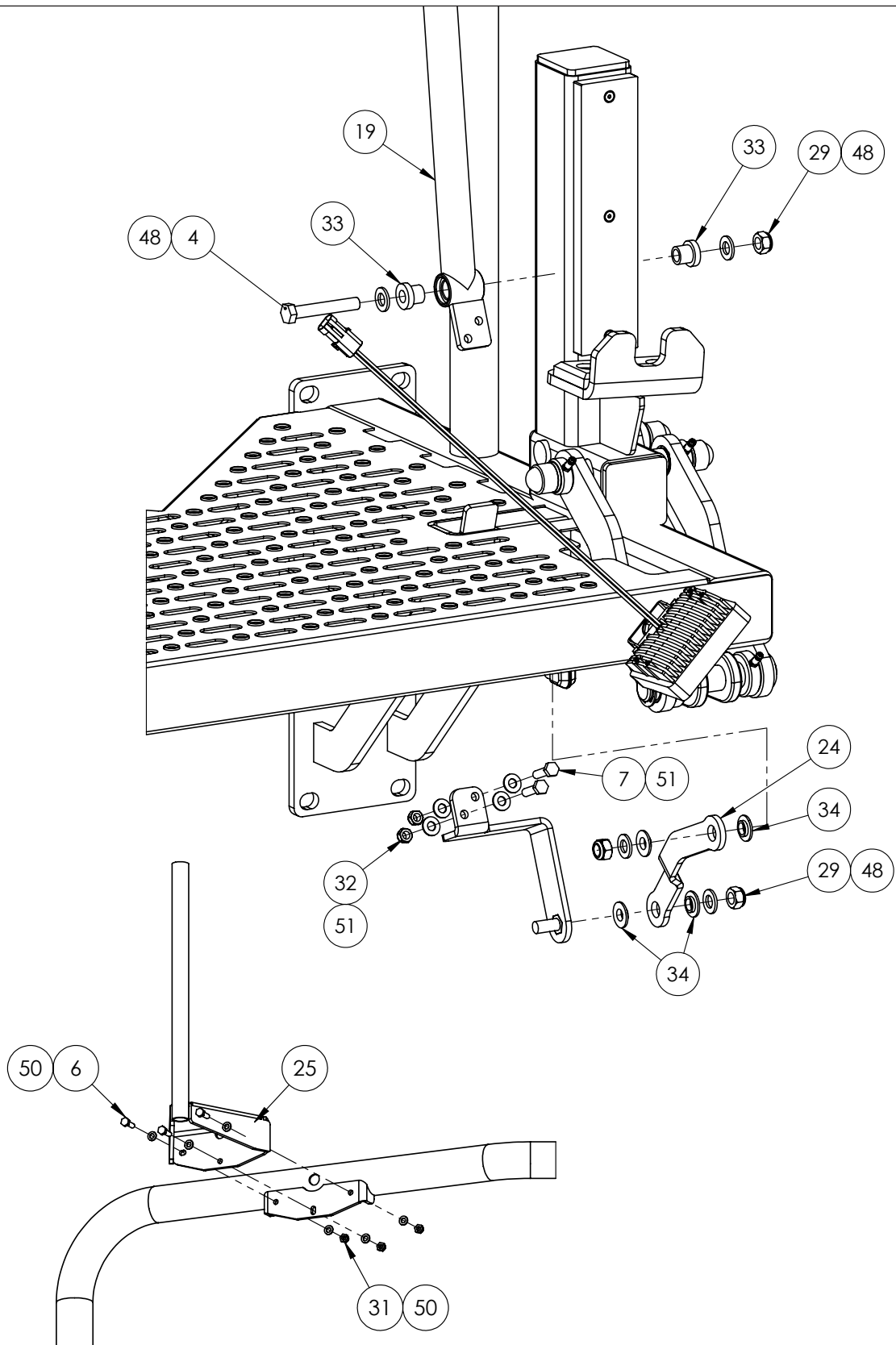
ITEM NO.	PART NUMBER	DESCRIPTION	QTY.
1	GA4661340	CHASSIS, SUPER CRUISER, G8, MY20	1

36-42m Side Platform & Boom Rest



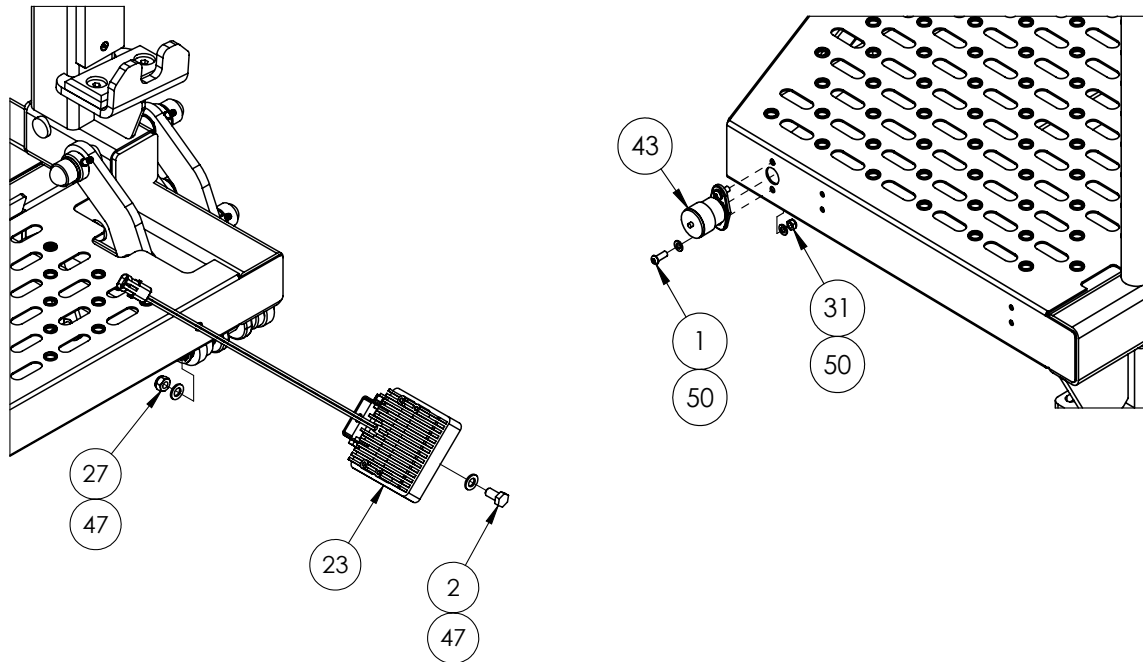
Continued over page

36-42m Side Platform & Boom Rest



Continued over page

36-42m Side Platform & Boom Rest



ITEM NO.	PART NUMBER	DESCRIPTION	QTY.
1	GA5004050	BHCS M6 X 16 SS A2-70	2
2	GA5006113	BOLT M10 X 20 GR8.8 ZP	1
3	GA5000339	BOLT M12 X 65 GR8.8 ZP	2
4	GA5000351	BOLT M12 X 75 GR8.8 ZP	2
5	GA5000941	BOLT M16 X 60 GR8.8 ZP	1
6	GA5004063	BOLT M6 X 20 SS A-70	3
7	GA5011475	BOLT M8 X 30 GR8.8 ZP	2
8	*	BOOM REST ASSEMBLY SUPER CRUISER, G8, LH, 2018	1
9	GA4658767	BOOM REST LINK LH SUIT PIVOTING MID HANDRAIL SP MY13	1
10	GA4658765	BOOM REST LINK ASSY-CYL LINK SP2011	1
11	GA4658770	BOOM REST LINK ASSY-SHORT LINK RH SP2011	1
12	GA7000001	BRASS BREATHER SILENCER 3/8 BSP FLAT1	1
13	GA4553025	BUSH LADDER PIVOT SP MY13	2
14	GA4553030	BUSH NYLON LADDER PIVOT SP MY13	4
15	GA5001223	CIRCLIP, 19mm, E TYPE, ZINC PLATED	2
16	GA3500348	ELBOW 1/4" X 3/4" C/W O-RING	2
17	GA5051970	GREASE NIPPLE 1/4" UNF LONG	10
18	GA4659775	HANDRAIL MID ARM SP MY13	1
19	GA4661010	HANDRAIL, MIDDLE, SIDE PLATFORM, SUPER CRUISER, G8, 2015	1
20	GA5075080	HEX NUT PROTECTION CAP SUIT M16 BLACK	6
21	GA5069110^	HYDRAULIC CYLINDER 2"X1.25"X6" STROKE	1
22	GA4603695	LADDER, G4 G6 G8, CABIN ACCESS, MY21	1
23	GA5075500	LIGHT, LED, WORK, FLOOD BEAM, 15W	1
24	GA4505590	LINK PLATE HANDRAIL MID SP MY13	1

36-42m Side Platform & Boom Rest

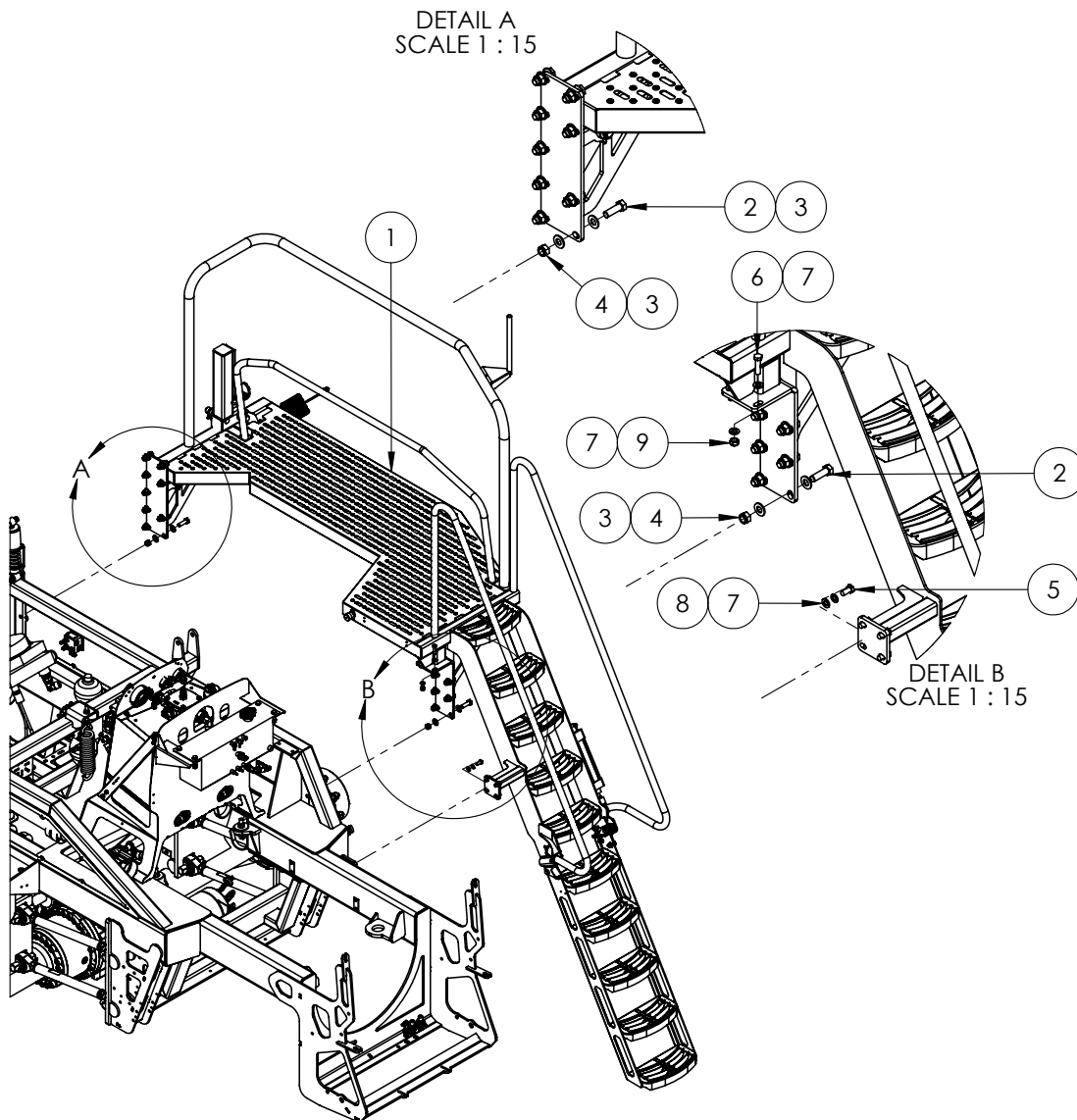
ITEM NO.	PART NUMBER	DESCRIPTION	QTY.
25	GA4658810	MIRROR MOUNT-LH-SP 201 I	1
26	GA5015643	VALVE, NEEDLE, 6MM PUSH TYPE INLET X 1/4 MALE BSP THREAD INLET, LEGRIS	1
27	GA5000141	NUT M10 NYLOC ZP	2
28	GA5000559	NUT M12 HEX ZP	2
29	GA5012461	NUT M12 NYLOC ZP	11
30	GA5001029	NUT M16 NYLOC ZP	7
31	GA5048115	NUT M6 NYLOC ZP	5
32	GA5052590	NUT M8 NYLOC SS	2
33	GA4553055	NYLON BUSH MID HANDRAIL	4
34	GA4553060	NYLON BUSH MID HANDRAIL SUIT LINK PLATE	4
35	GA4572135	PARALIFT SPACER BUSH	2
36	GA4552835	PIN- HYD CYLINDER TO BOOM REST SP 201 I	2
37	GA4408515	PLATE, BRACKET, LADDER CYLINDER MOUNT, RH FITMENT	1
38	GA4507330	PLATE, LADDER FOLD STOP ACCESS PLATFORM 2014	1
39	GA5069674	PNEUMATIC CYLINDER 63 X 175mm	1
40	GA7000004	PNEUMATIC FLOW CONTROL NEEDLE VALVE, 1 WAY, 6mm PUSH IN, INLINE	1
41	GA5052815	RUBBER STOPPER, DIAMETER 50 X 35 LONG, WITH M10 X 35 STUD	1
42	GA5070470	SERVICE INDICATOR MOUNTING FLANGE	1
43	GA5010525	SERVICE INDICATOR KIT 25, SUIT CROP CRUISER AND G3 G4	1
44	GA5000305	SET SCREW M12 X 30 GR8.8 ZP	4
45	GA5000311	SET SCREW M12 X 35 GR 8.8 ZP	2
46	GA4603370	SIDE PLATFORM, 36M AND 42M, G8, MY20	1
47	GA5000117	WASHER 10mm FLAT SS HD	3
48	GA5000577	WASHER 12mm FLAT SS HD	19
49	GA5001043	WASHER 16mm FLAT SS HD	2
50	GA5004437	WASHER 6mm FLAT SS	10
51	GA5003643	WASHER 8mm FLAT SS HD	4
52	GA5069810	WASHER- NYLON 16 ID X 30 OD X 3	8

^ See Chapter 18 'Hydraulics' for more detail on Hydraulic parts.

* Sub-assembly on following pages

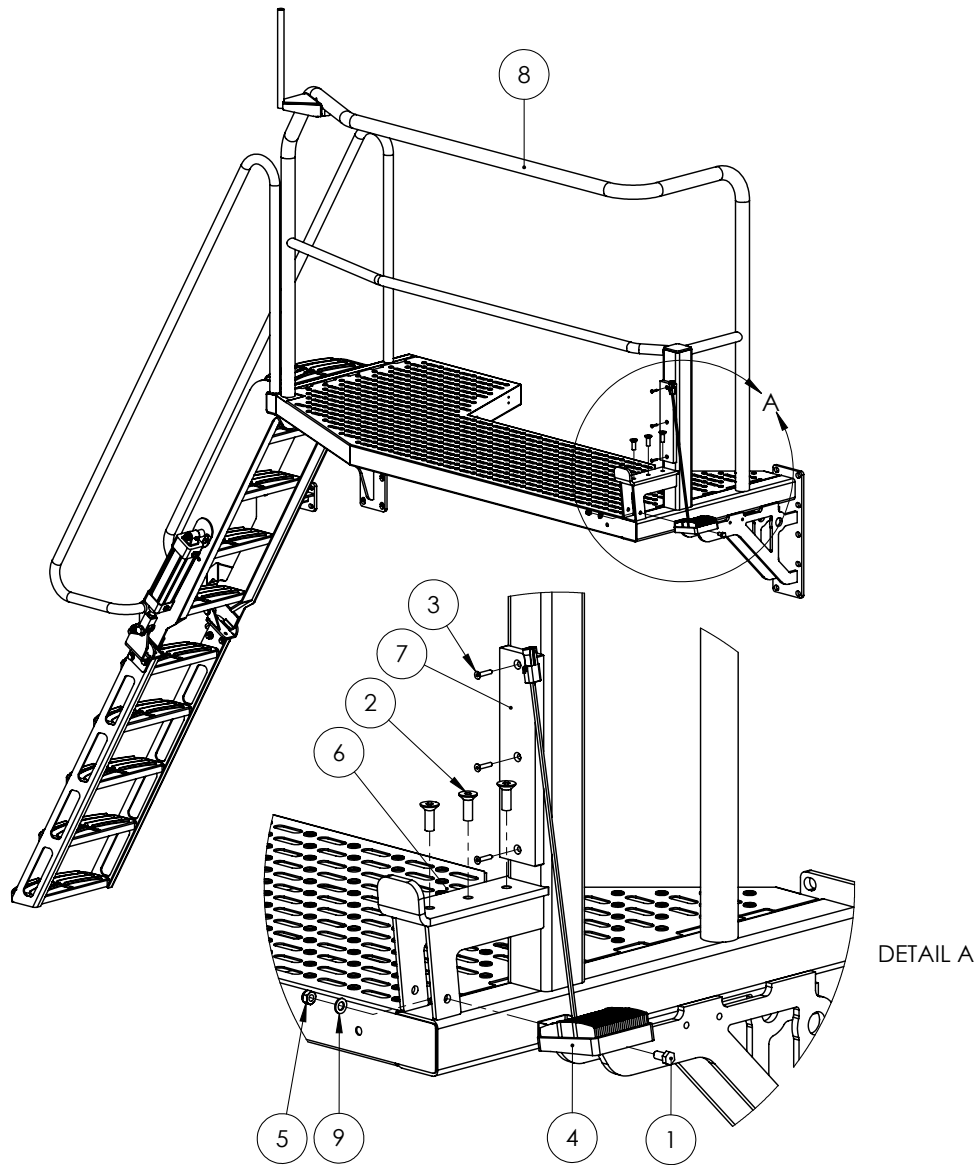
Continued over page

36-42m Side Platform & Boom Rest - Mounting



ITEM NO.	PART NUMBER	DESCRIPTION	QTY.
1	GA4950885	SIDE PLATFORM ASSEMBLY, 36M AND 42M, G8, MY20	1
2	GA5000931	BOLT M16 X 50 GR8.8 ZP	15
3	GA5001043	WASHER 16MM FLAT SS HD	30
4	GA5001029	NUT M16 NYLOC ZP	15
5	GA5011229	BOLT M12 X 25 GR8.8 ZP	4
6	GA5000327	SET SCREW M12 X 45 GR8.8 ZP	2
7	GA5000577	WASHER 12MM FLAT SS HD	8
8	GA5000575	WASHER 12MM SPRING SS	4
9	GA5012461	NUT M12 NYLOC ZP	2

48m Side Platform & Boom Rest

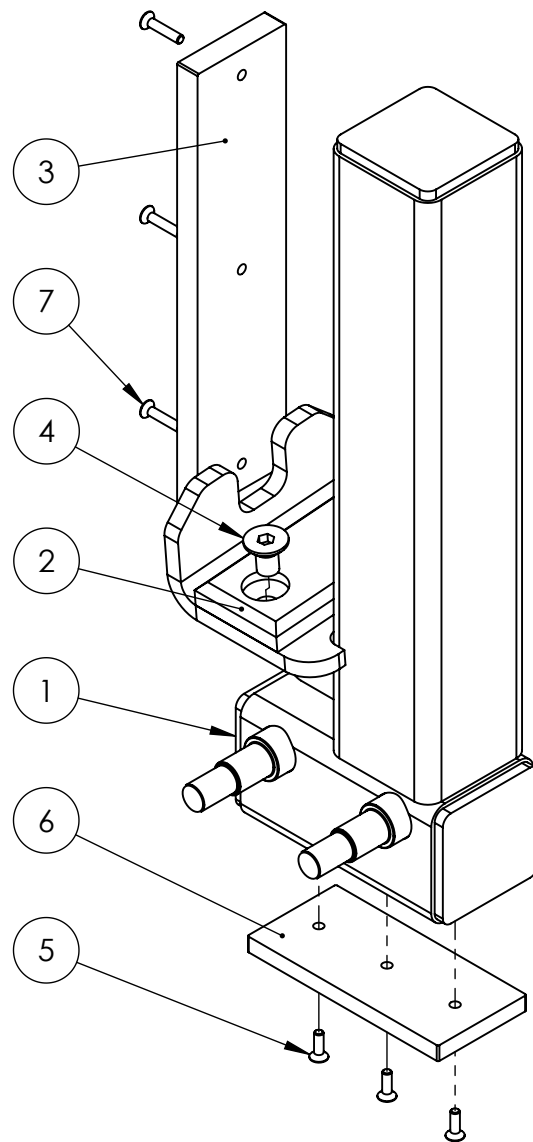


ITEM NO.	PART NUMBER	DESCRIPTION	QTY.
1	GA5006113	BOLT M10 X 20 GR8.8 ZP	1
2	GA5069080	CSCS M12 X 35 GR12.9 ZP	3
3	GA5050115	CSCS M5 x 25 SS A2-70	3
4	GA5075500	LIGHT, LED, WORK, FLOOD BEAM, BARE WIRES, 12V, 24W	1
5	GA5000141	NUT M10 NYLOC ZP	1
6	GA4550795	PLASTIC WEAR PAD, LOWER, BOOM REST, 48M BOOM	1
7	GA5071970	PLASTIC WEAR STRIP BOOM REST POLYSTONE 7000SR 65 X 280 X 15MM	1
8	GA4603380	SIDE PLATFORM, 48M, G8, MY20	1
9	GA5000117	WASHER 10MM FLAT SS HD	1

^ See Chapter 15 'Electrics' for more detail on light parts.

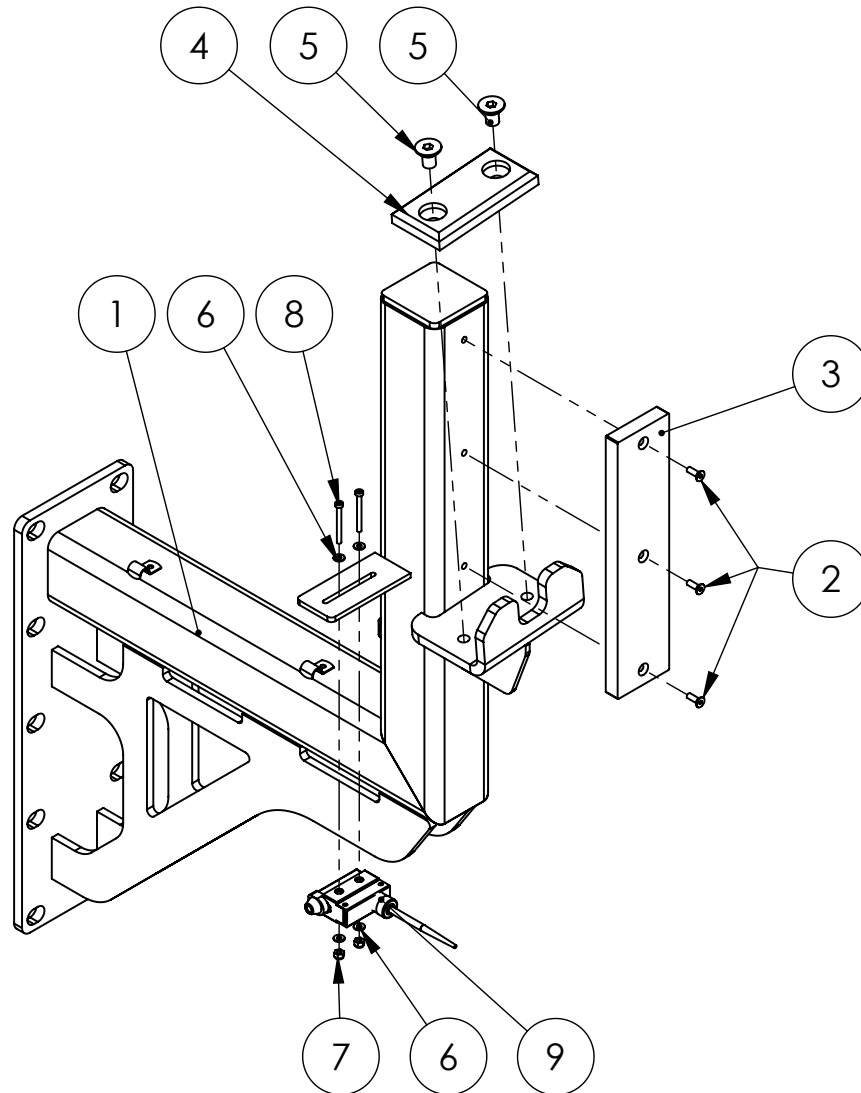
Continued over page

36-42m Boom Rest - Left Side



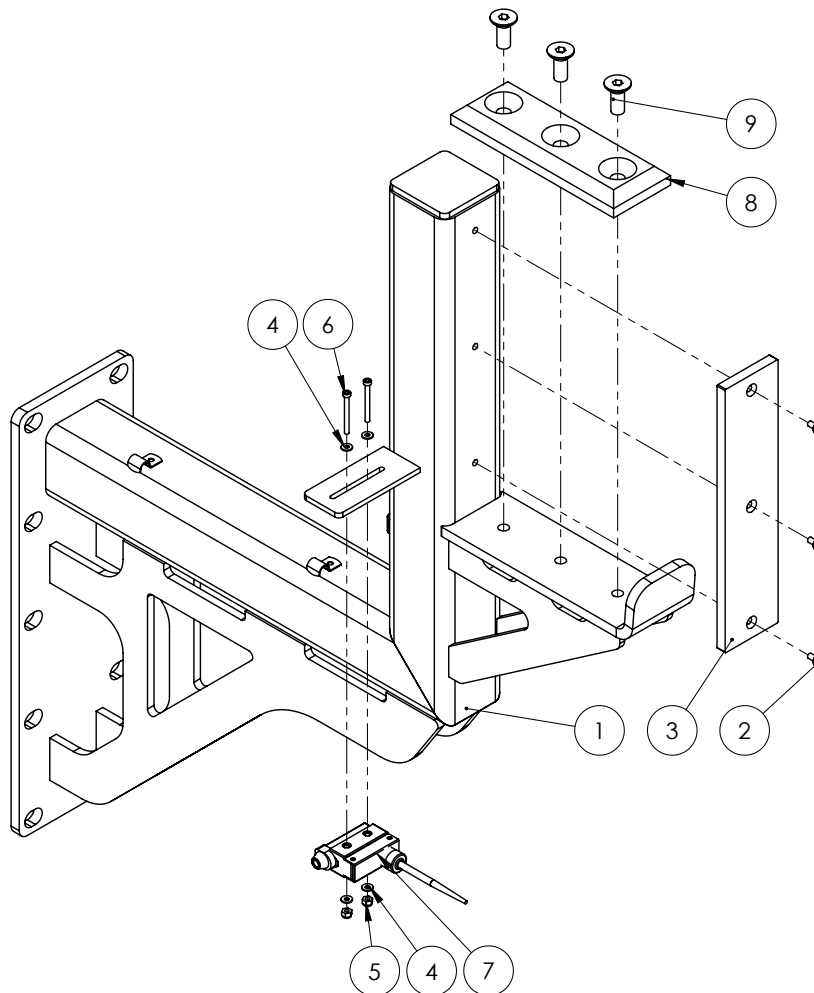
ITEM NO.	PART NUMBER	DESCRIPTION	QTY.
1	GA4660451	BOOM REST, LH 36-42M	1
2	GA4550055	WEAR SLIDE PLATE BOOM REST BOTTOM	1
3	GA5071970	PLASTIC WEAR STRIP BOOM REST POLYSTONE 7000SR 65 X 280 X 15 MM	1
4	GA5070860	CSCS M12 X 20 GR12.9 ZP	2
5	GA5051230	CSCS M5 X 16 SS A2-70	3
6	GA5072450	PLASTIC WEAR STRIP BOOM REST POLYSTONE 7000SR 65 X 140 X 10 MM	1
7	GA5050115	CSCS M5 X 25 SS A2-70	3

36-42m Boom Rest - Right Side



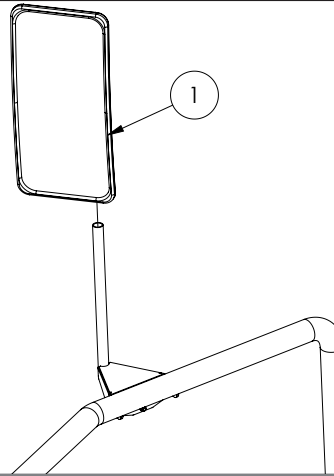
ITEM NO.	PART NUMBER	DESCRIPTION	QTY.
1	GA4661017	BOOM REST, RH 36-42M	1
2	GA5050115	CSCS M5 X 25 SS A2-70	3
3	GA5071970	PLASTIC WEAR STRIP BOOM REST POLYSTONE 7000SR 65 X 280 X 15MM	1
4	GA4550055	WEAR SLIDE PLATE BOOM REST BOTTOM	1
5	GA5070860	CSCS M12 X 20 GR12.9 ZP	2
6	GA5011361	WASHER 4MM FLAT ZP	4
7	GA5049025	NUT M4 NYLOC SS	2
8	GA5049800	SHCS M4 X 40 GR12.9 ZP	2
9	GA5012129	LIMIT SWITCH, FLEXIBLE ARM, MICRO, IP65, 10 AMP	1

48m Boom Rest - Right Side



ITEM NO.	PART NUMBER	DESCRIPTION	QTY.
1	GA4661016	BOOM REST, SUPER CRUISER, G8 WITH 48M BOOM	1
2	GA5051230	CSCS M5 X 16 SS A2-70	3
3	GA5071970	PLASTIC WEAR STRIP BOOM REST POLYSTONE 7000SR 65 X 280 X 10MM	1
4	GA5011361	WASHER 4MM FLAT SS	4
5	GA5049025	NUT M4 NYLOC SS	2
6	GA5049800	SHCS M4 X 40 GR12.9 ZP	2
7	GA5012129	LIMIT SWITCH, FLEXIBLE ARM, MICRO, IP65, 10 AMP	1
8	GA4550795	PLASTIC WEAR PAD, LOWER, BOOM REST, 48M BOOM	1
9	GA5051290	CSCS M12 X 30 GR12.9 ZP	3

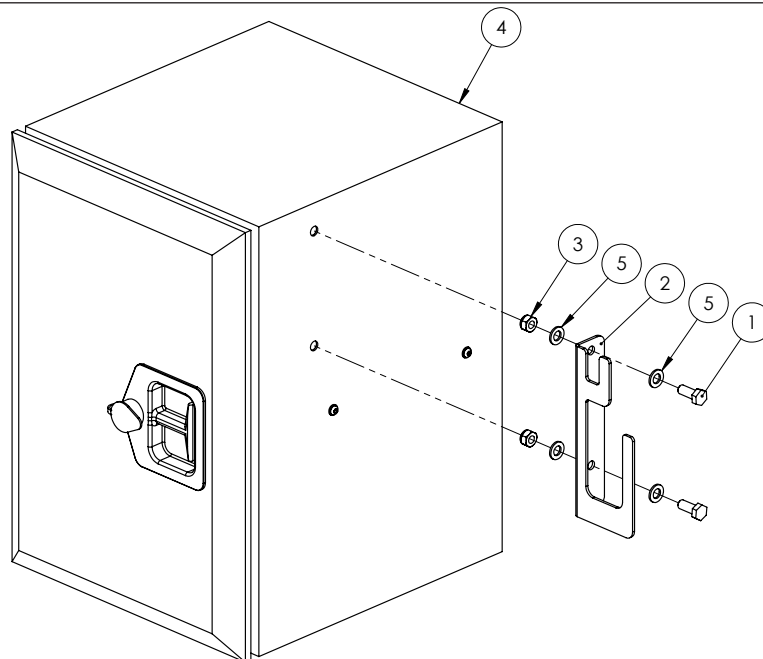
Left Hand Mirror



ITEM NO.	PART NUMBER	DESCRIPTION	QTY.
1	GA5054120	SIDE MIRROR, COMPLETE ASSEMBLY, SUIT CLAAS CAB	1
	GA5054125	SIDE MIRROR GLASS, SUIT CLAAS CAB	-
	GA5054130	COVER CAP MIRROR SUIT CLASS CAB	-
	GA5069795	GROMMET, RUBBER, 28 OD X 7 THICK, MATERIAL UP TO 2MM THICK	-

NOTE: See Chapter 22 'Cabin' for RHS mirror and extension bracket for 48 metre boom optioned machines.

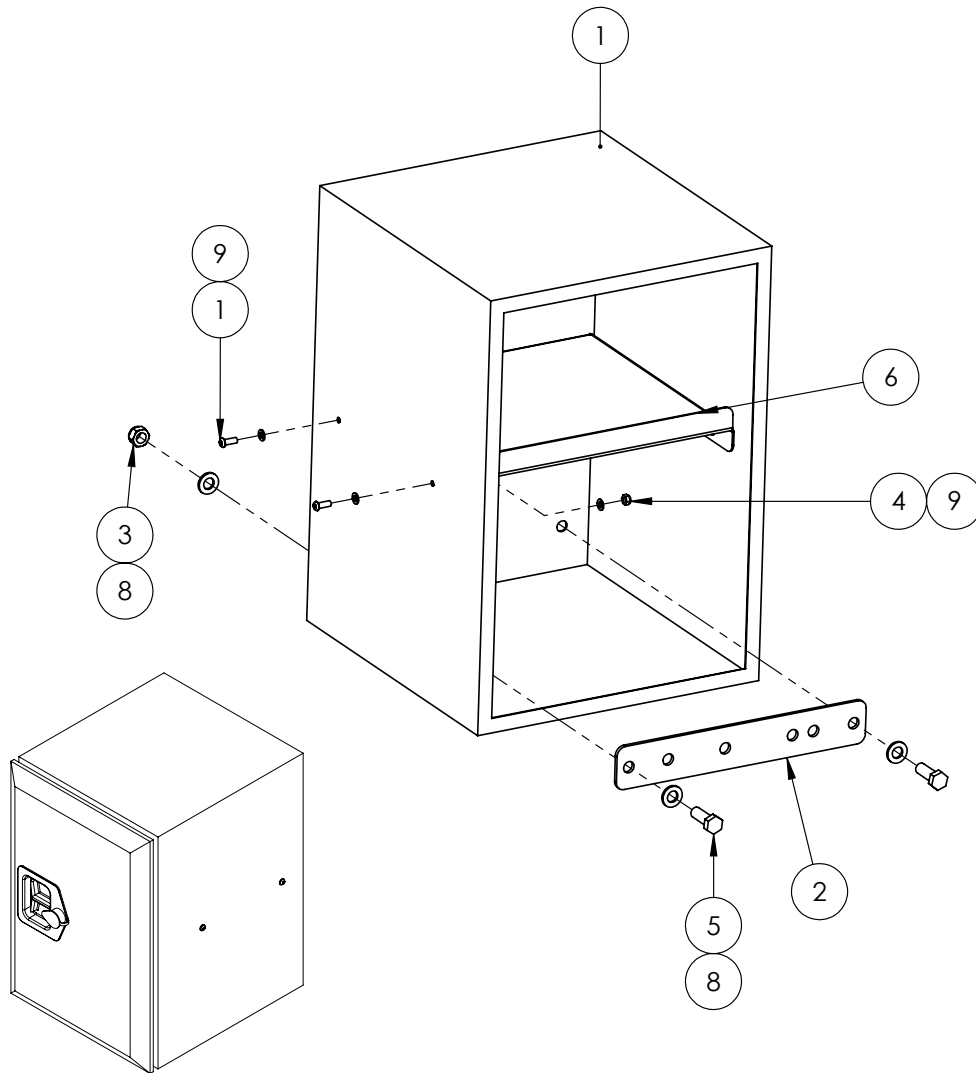
Tool Box



ITEM NO.	PART NUMBER	DESCRIPTION	QTY.
1	GA5006161	BOLT M10 X 25 GR8.8 ZP	2
2	GA4504475	BRACKET-SUZI COIL HOLDER SP 2011 BOLT ON R/H	1
3	GA5000141	NUT M10 NYLOC ZP	2
4	GA4906745	TOOL BOX, ASSEMBLED SUIT CROP CRUISER MY15	1
5	GA5000117	WASHER 10MM FLAT SS HD	4

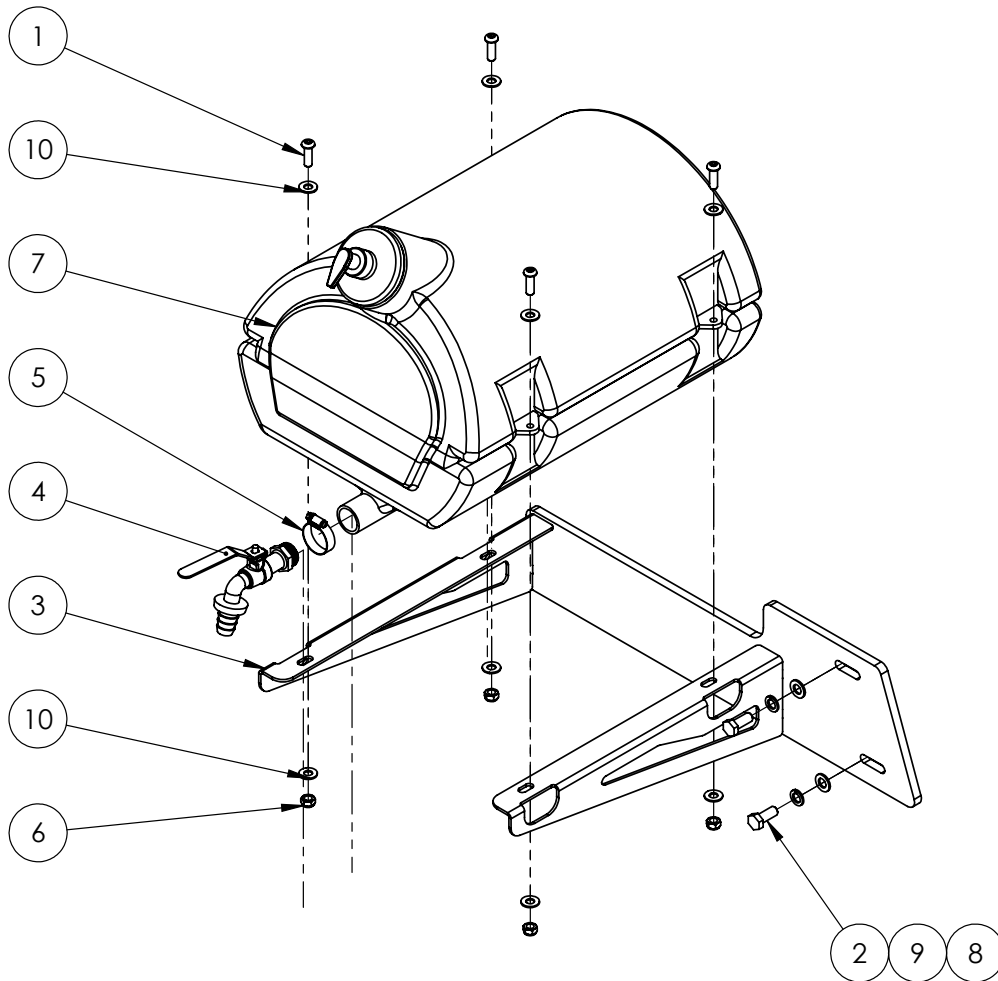
Tool Box

NOTE: Shown with door removed



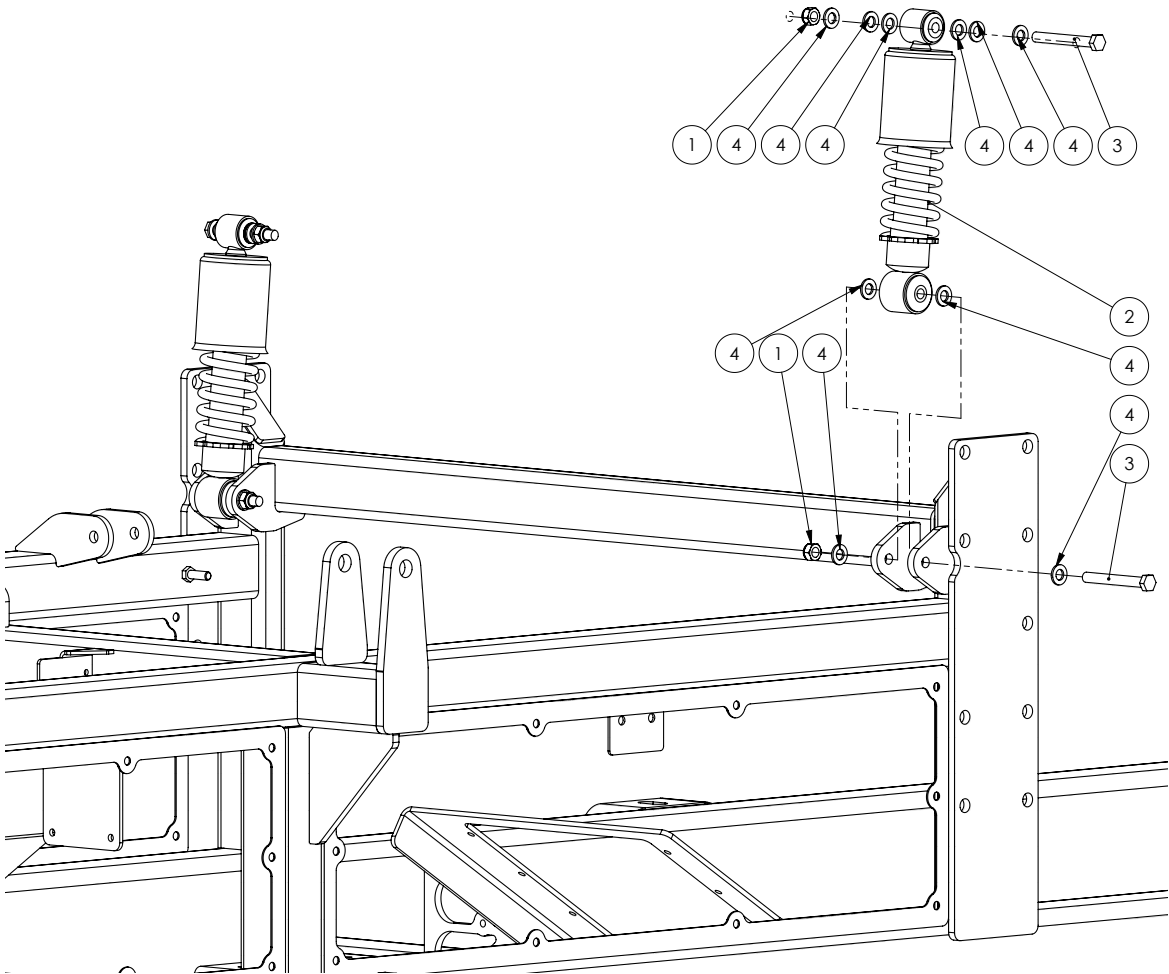
ITEM NO.	PART NUMBER	DESCRIPTION	QTY.
1	GA5004050	BHCS M6 X 16 SS A2-70	4
2	GA4503890	BRACKET, TOOL BOX MOUNT, INNER SP 201 I	2
3	GA5012461	NUT M12 NYLOC ZP	4
4	GA5048115	NUT M6 NYLOC ZP	4
5	GA5000311	SET SCREW M12 X 35 GR 8.8 ZP	4
6	GA4502895	TOOL BOX SHELF SP09	1
7	GA5068675	TOOL BOX, T HANDLE, BLACK, W 500 X H 350 X D 400	1
8	GA5000577	WASHER 12MM FLAT SS HD	8
9	GA5004437	WASHER 6MM FLAT SS	8

Hand Wash Bottle Assembly



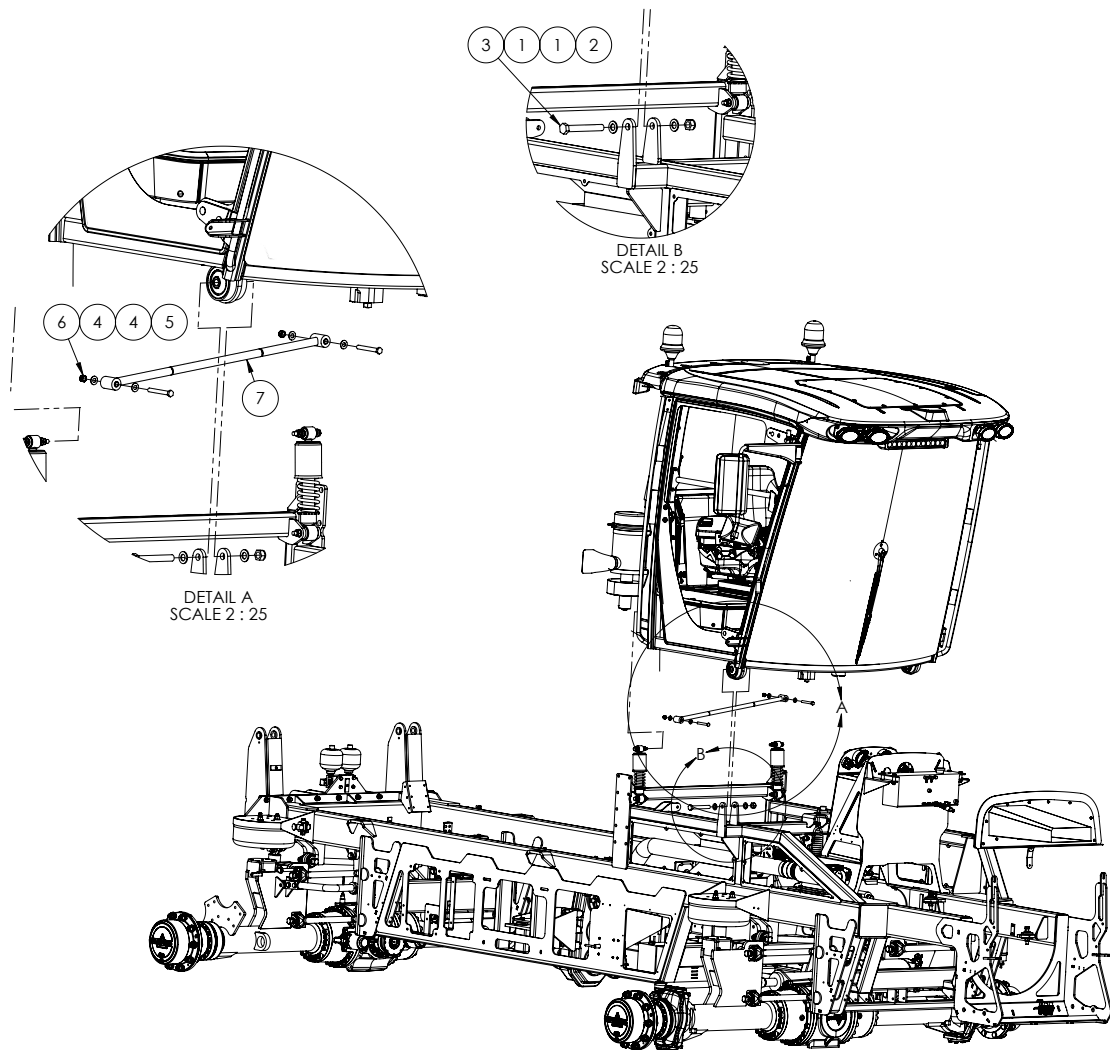
ITEM NO.	PART NUMBER	DESCRIPTION	QTY.
-	GA5051275	SOAP DISPENSER, SUIT HAND WASH TANK GA5075110	-
1	GA5011473	BHCS M8 X 25 SS A2-70	4
2	GA5006161	BOLT M10 X 25 GR8.8 ZP	2
3	GA4660815	HAND WASH BOTTLE BRACKET, G8	1
4	GA5070735	TAP 3/4 BSP WITH HOSE BARB SUIT HAND WASH BOTTLE	1
5	GA5001681	HOSE CLAMP, 1" SS (20-32/12W)	1
6	GA5004917	NUT M8 NYLOC ZP	4
7	GA5075110	WATER TANK, 30L, BLACK PLASTIC, WITH SOAP DISPENSER, USED FOR HAND WASH	1
8	GA5000117	WASHER M10 FLAT SS HD	2
9	GA5000137	WASHER 10MM SPRING SS	2
10	GA5003643	WASHER M8 FLAT SS HD	8

Cabin - Shockers



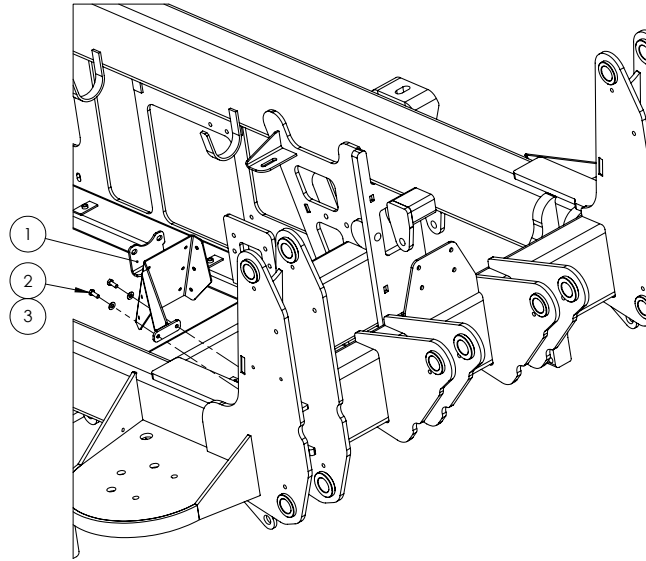
ITEM NO.	PART NUMBER	DESCRIPTION	QTY.
1	GA5012461	NUT M12 NYLOC ZP	4
2	GA5054105	DAMPER, SHOCK ABSORBER SUIT CLAAS CAB	2
3	GA5000259	M12 X 100 BOLT	4
4	GA5000577	WASHER 12MM FLAT SS HD	20

Cabin - Panhard Rod



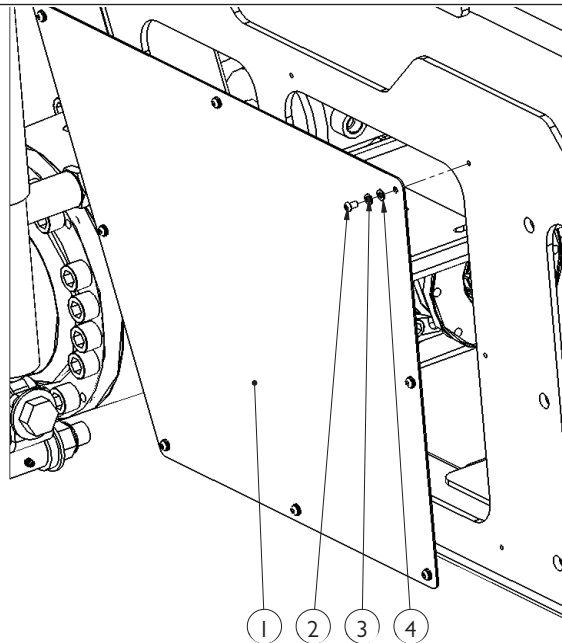
ITEM NO.	PART NUMBER	DESCRIPTION	QTY.
1	GA5001741	WASHER 20MM FLAT SS HD	4
2	GA5048125	NUT M20 NYLOC COARSE ZP	2
3	GA5001531	BOLT M20 X 150 GR8.8 ZP	2
4	GA5000577	WASHER 12MM FLAT SS HD	4
5	GA5000259	BOLT M12 X 100 GR8.8 ZP	2
6	GA5012461	NUT M12 NYLOC ZP	2
7	GA4600290	PANHARD ROD, 870MM CENTRES, SUPER CRUISER, CLAAS CABIN	1

Heat Shield - Headstock



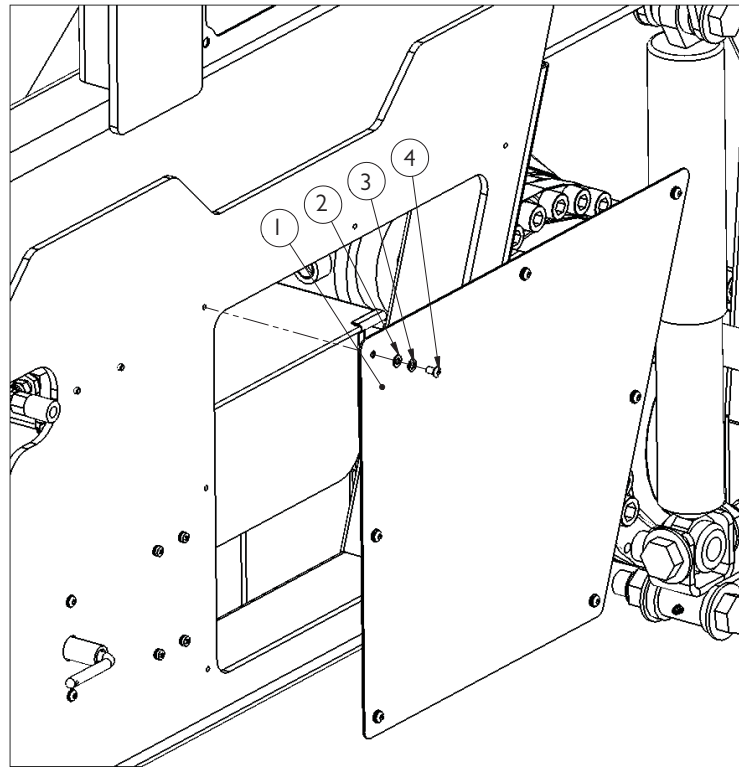
ITEM NO.	PART NUMBER	DESCRIPTION	QTY.
1	GA4602955	HEAT SHIELD, REAR CHASSIS, G8, MY20	1
2	GA5004085	BOLT M8 X 20 GR8.8 ZP	2
3	GA5003643	WASHER 8MM FLAT SS HD	4

Cover Plate Lower - LHS



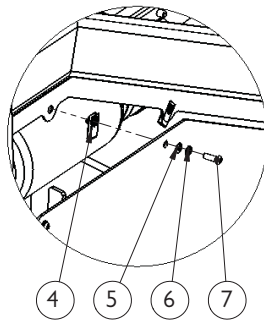
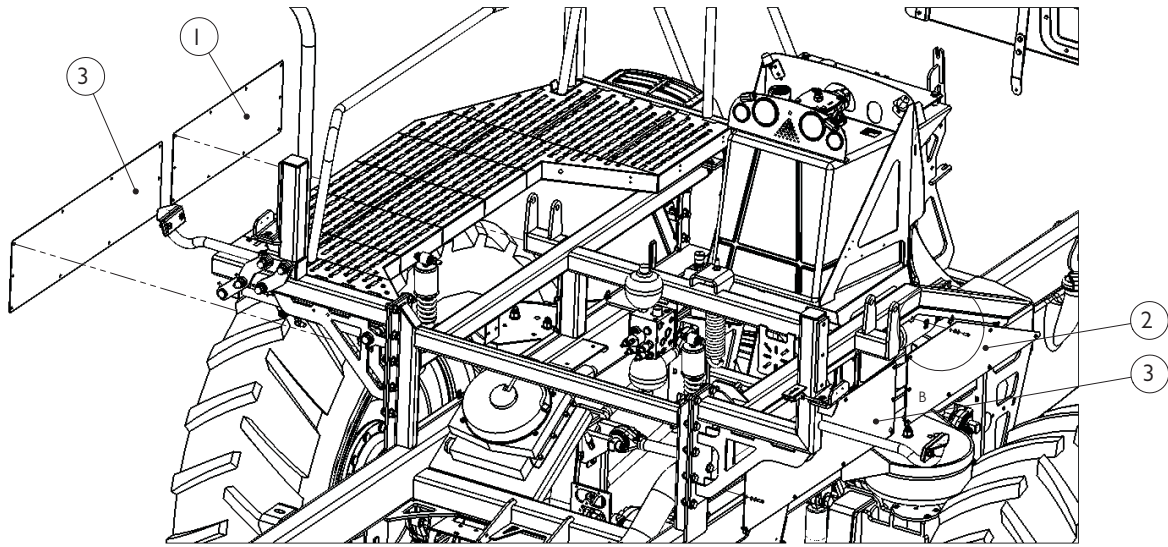
ITEM NO.	PART NUMBER	DESCRIPTION	QTY.
1	GA4509850	PLATE, CHASSIS COVER, LH LOWER SECTION FRONT	1
2	GA5004023	BHCS M6 X 10 SS A2-70	8
3	GA5004447	WASHER 6MM SPRING SS	8
4	GA5004437	WASHER 6MM FLAT SS	8

Cover Plate Lower - RHS - Battery Cover



ITEM NO.	PART NUMBER	DESCRIPTION	QTY.
1	GA4509245	PLATE, BATTERY COVER CHASSIS SIDE	1
2	GA5004023	BHCS M6 X 10 SS A2-70	7
3	GA5004447	WASHER 6MM SPRING SS	7
4	GA5004437	WASHER 6MM FLAT SS	7

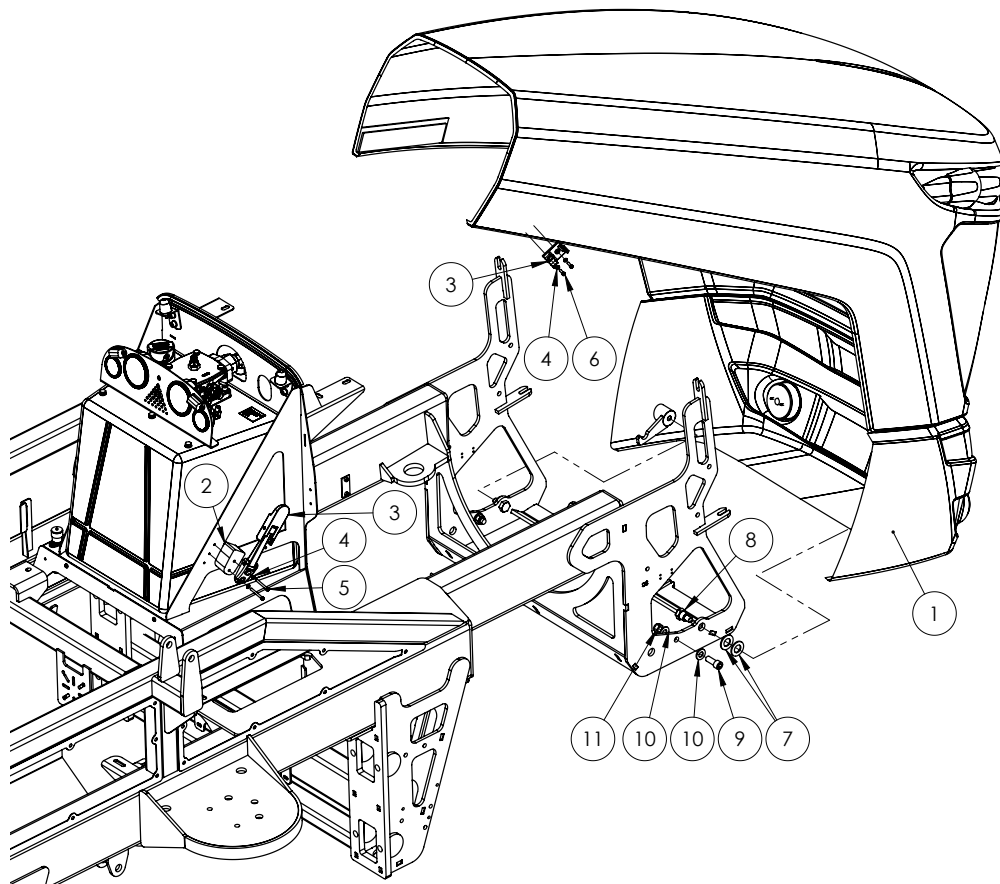
Cover Plates Under Cabin



DETAIL B
SCALE 1 : 5

ITEM NO.	PART NUMBER	DESCRIPTION	QTY.
1	GA4509215	PLATE, COVER UNDER CABIN FRONT LH	1
2	GA4509220	PLATE, COVER UNDER CABIN FRONT RH	1
3	GA4509210	PLATE, COVER UNDER CABIN REAR	2
4	GA5066830	SPEED CLIP M6	38
5	GA5004447	WASHER 6MM SPRING SS	38
6	GA5004437	WASHER 6MM FLAT SS	38
7	GA5004053	BHCS M6 X 20 SS A2-70	38

Bonnet

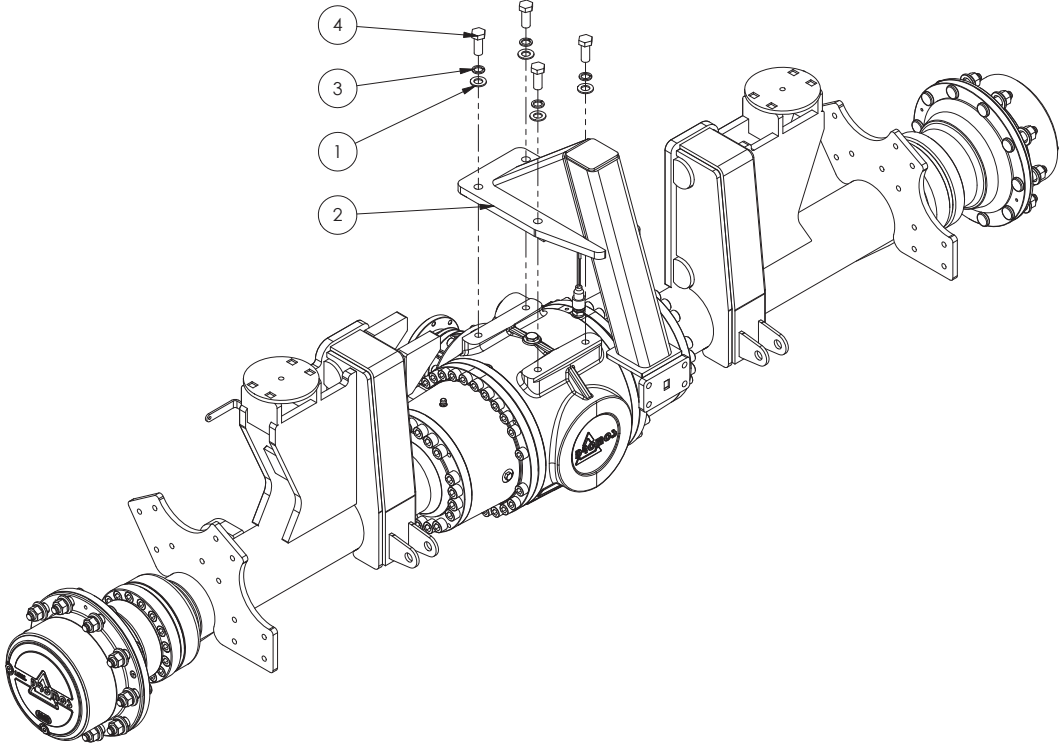


BONNET SPARE PARTS

PART NUMBER	DESCRIPTION
GA3000082	GLOBE, HB3, 12V, 60W, NARVA
GA5075415	INDICATOR / RUNNING LIGHT ASSEMBLY, LED
GA5072720	BONNET GRILL MESH, SUIT GA5072135 AND GA5072145, 2015 - 2019 DESIGN, NO CENTER SUPPORT (ONE PIECE FRONT MESH)

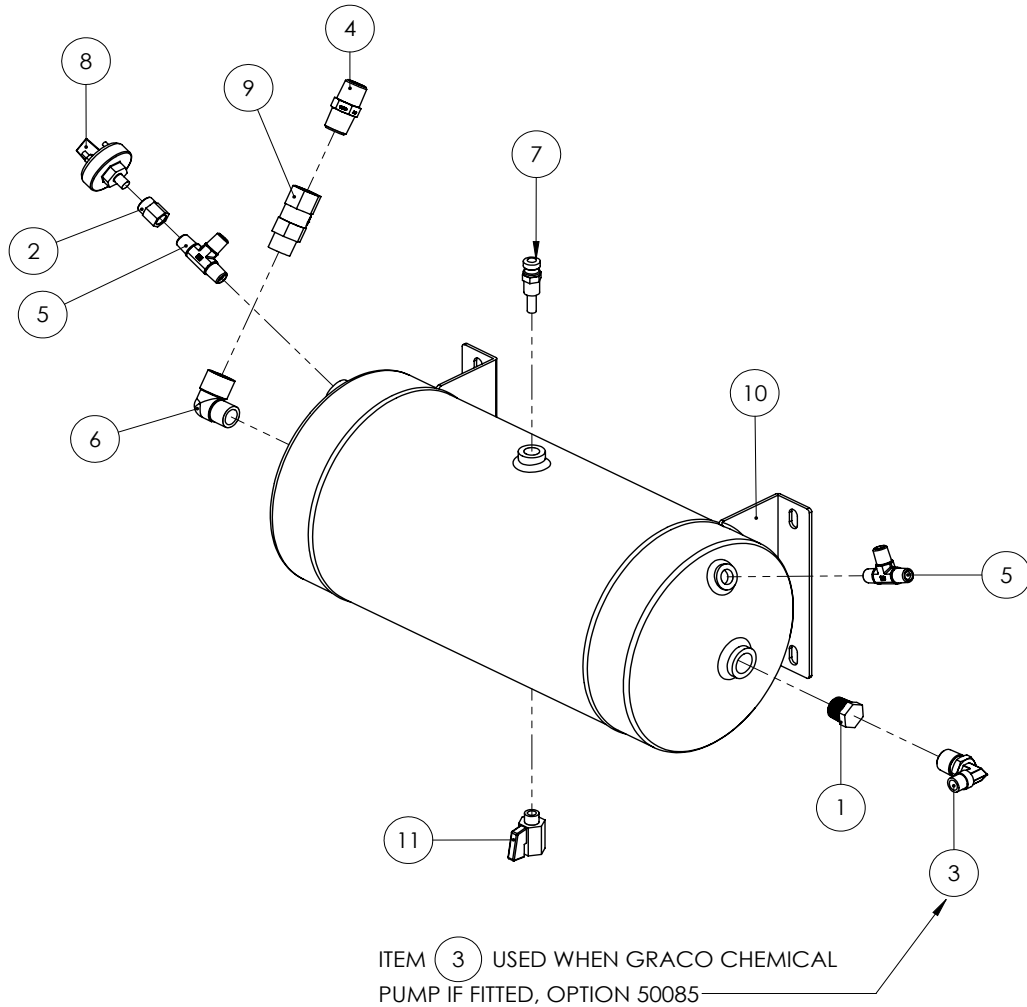
ITEM NO.	PART NUMBER	DESCRIPTION	QTY.
1	GA5072135	BONNET	1
2	GA4502630	SPACER BLOCK, BONNET LATCH, HDPE	2
3	GA5066595	LATCH, SUIT CROP CRUISER BONNET & LADDER	2
4	GA5004437	WASHER 6MM FLAT SS	8
5	GA5070460	SHCS M6 X 60 SS A2-70	4
6	GA5004055	SHCS M6 X 20 GR12.9 ZP	4
7	GA0500078	WASHER, 1" ID X 1 7/8" OD X 1/8" THICK, NYLON	4
8	GA4552765	BOLT SHOULDER	2
9	GA5000925	SHCS M16 X 40 GR12.9 ZP	2
10	GA5001043	WASHER 16MM FLAT SS HD	2
11	GA5001029	NUT M16 NYLOC ZP	2

Tow Bar



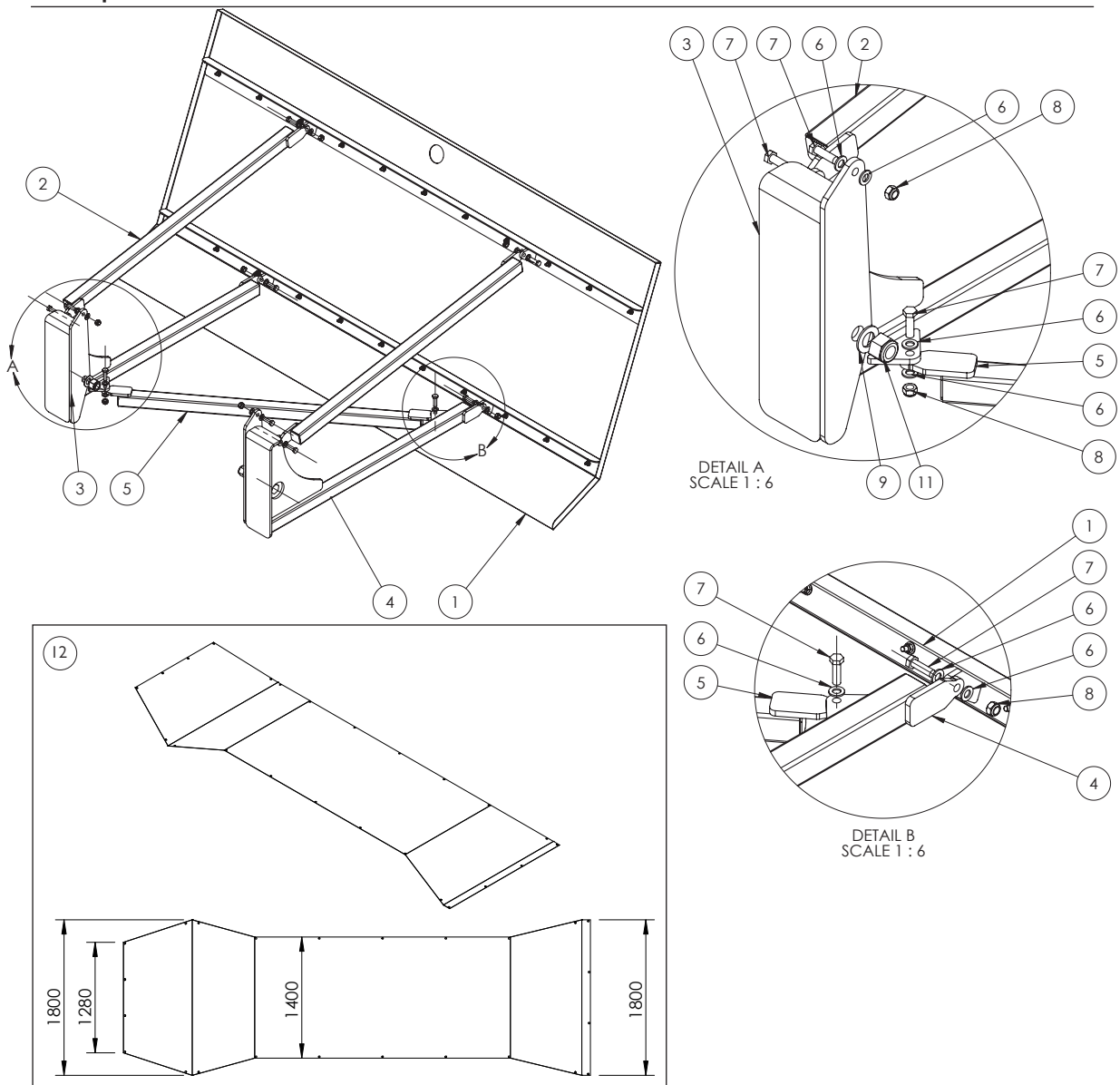
ITEM NO.	PART NUMBER	DESCRIPTION	QTY.
1	GA5001741	WASHER 20MM FLAT SS HD	4
2	GA4661070	TOW BAR AXLE MOUNTED, SUPER CRUISER, G8	1
3	GA5001721	WASHER 20MM SPRING SS	4
4	GA5011321	SET SCREW M20 COURSE X 50 GR8.8 ZP	4

Air Tank



ITEM NO.	PART NUMBER	DESCRIPTION	QTY.
1	GA5050670	PLUG, BRASS, 1/2" BSPT MALE	1
2	GA5069925	1/4" - 1/8" BSPT FEMALE REDUCING SOCKET	1
3	GA5018339	PNEUMATIC FITTING, ELBOW, 90 DEGREE, 8MM PUSH IN TYPE FITTING X 1/8" MALE THREAD	1
4	GA3500223	HYDRAULIC ADAPTOR, NIPPLE, 1/2" BSPT MALE X 1/2" BSPT MALE, S27-0808	1
5	GA3500269	HYDRAULIC ADAPTOR, TEE, 1/4" BSPT MALE X 1/4" BSPT MALE X 1/4" BSPT MALE, S50-040404	2
6	GA5048150	PLUMBING ADAPTOR, ELBOW, 90 DEGREE, 1/2 MALE THREAD X 1/2 FEMALE THREAD, CAST	1
7	GA5017369	VALVE PRESSURE RELIEF, 1/4", AIR 150 PSI, BRASS	1
8	GA5011059	PRESSURE SWITCH, LOW AIR, 55 PSI ACTUATION, SPDT, 1/8"	1
9	GA5014795	SC3 SINGLE CHECK VALVE 1/2 M/F	1
10	GA5071940	TANK, AIR, 14.75L, PROTEX AT3	1
11	GA5018323	VALVE, BALL, 1/4 MALE, FEMALE, BLACK LEVER HANDLE, CHROMED	1

Crop Deflector Set

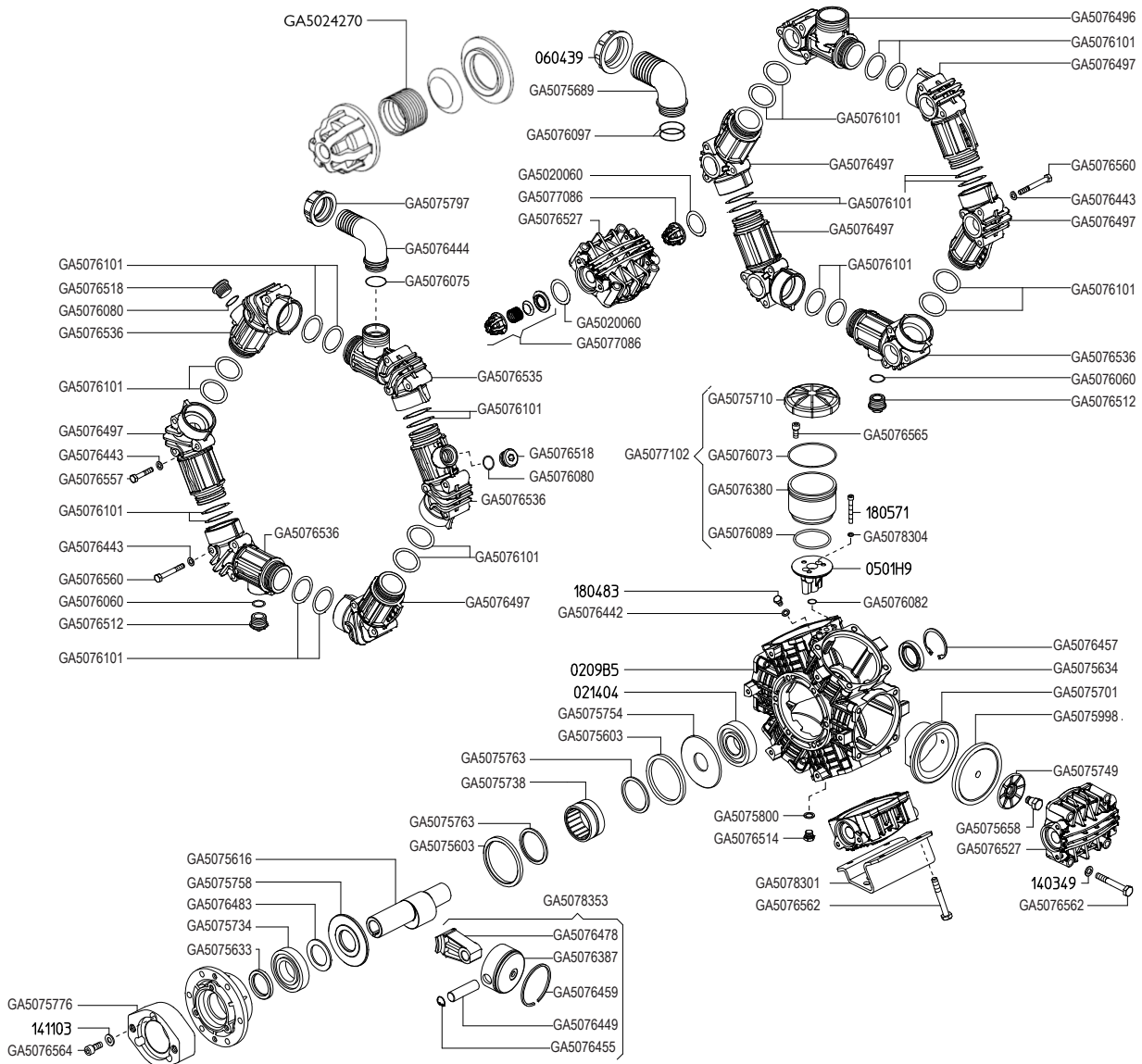


ITEM NO.	PART NUMBER	DESCRIPTION	QTY.
1	GA4949860	ASSEMBLY, FRONT CROP DEFLECTOR, SKID PLATE	1
2	GA4602745	UPPER MOUNT ARM	2
3	GA4602750	MOUNT, FRONT CROP DEFLECTOR, CHASSIS MOUNT LHS	1
4	GA4602755	MOUNT, FRONT CROP DEFLECTOR, CHASSIS MOUNT RHS	1
5	GA4602760	SUPPORT ARM, FRONT CROP DEFLECTOR, CROSS BRACE SUB ASSEMBLY	1
6	GA5000577	WASHER 12MM FLAT SS HD	20
7	GA5000319	SET SCREW M12 X 40 GR8.8 ZP	10
8	GA5012461	NUT M12 NYLOC ZP	10
9	GA5001891	WASHER 24MM FLAT HD SS	4
10	M24X60 BOLT	M24X60 BOLT	2
11	GA5012469	NUT M24 NYLOC ZP	2
12	GA5025255	BELLY SHIELD, HEAVY PVC TARP	1

Chapter 2

PUMPS

Spray Pump - Zeta 260



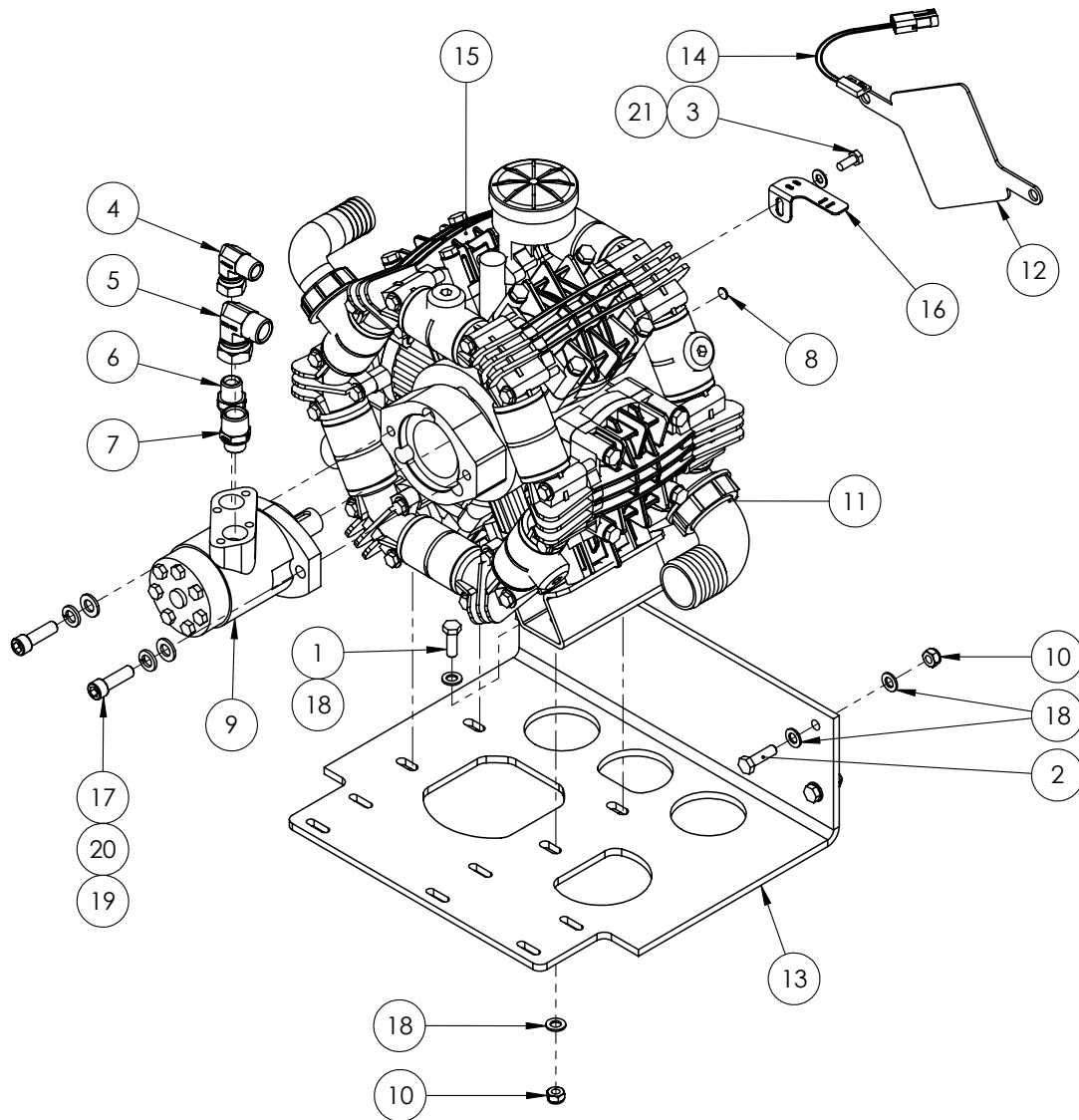
PUMP ASSEMBLY

PART NUMBER	DESCRIPTION	QTY.
GA5054500	PUMP ZETA 260 MI-I	1

PUMP SERVICE PARTS

PART NUMBER	DESCRIPTION
GA5077793	PUMP DIAPHRAGM KIT SUIT ZETA 260 AND RO250 UDOR PUMPS
GA5077792	PUMP REBUILD KIT, INCLUDES DIAPHRAGMS, SEALS & VALVES, SUITS BOTH ZETA 260 AND RO250 IN PTO AND HYD DRIVE
GA5023115	SEAL KIT, 60CC & 80CC HYDRAULIC MOTOR, GA5009525 AND GA5047515

Spray Pump - Zeta 260 - Hydraulic Drive



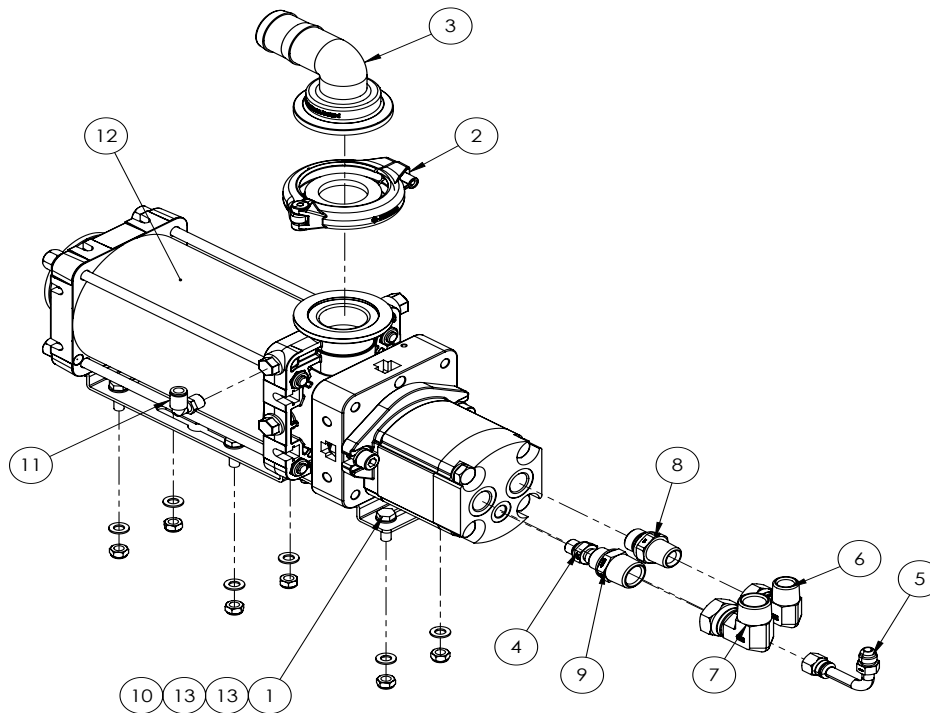
ITEM NO.	PART NUMBER	DESCRIPTION	QTY.
1	GA5065455	BOLT M10 X 30 GR8.8 ZP	4
2	GA5006111	BOLT M10 X 35 GR8.8 ZP	4
3	GA5004085	BOLT M8 X 20 GR8.8 ZP	1
4	GA3500333	HYDRAULIC ADAPTOR, ELBOW, 90 DEGREE, 1/2" BSPT MALE X 1/2" BSPP FEMALE SWIVEL, S82-0808	1
5	GA3500334	HYDRAULIC ADAPTOR, ELBOW, 90 DEGREE, 3/4" BSPT MALE X 3/4" BSPP FEMALE SWIVEL, S82-1212	1
6	GA3500310	HYDRAULIC ADAPTOR, NIPPLE, 1/2" BSPT MALE X 1/2" BSPP MALE, S75-0808	1
7	GA3500313	HYDRAULIC ADAPTOR, NIPPLE, 3/4" BSPT MALE X 1/2" BSPP MALE, S75-1208	1
8	GA5016169	MAGNET, HIGH STRENGTH, 12MM DIAMETER X 1.5MM THICK	1

Continue Over Page

Spray Pump - Zeta 260 - Hydraulic Drive

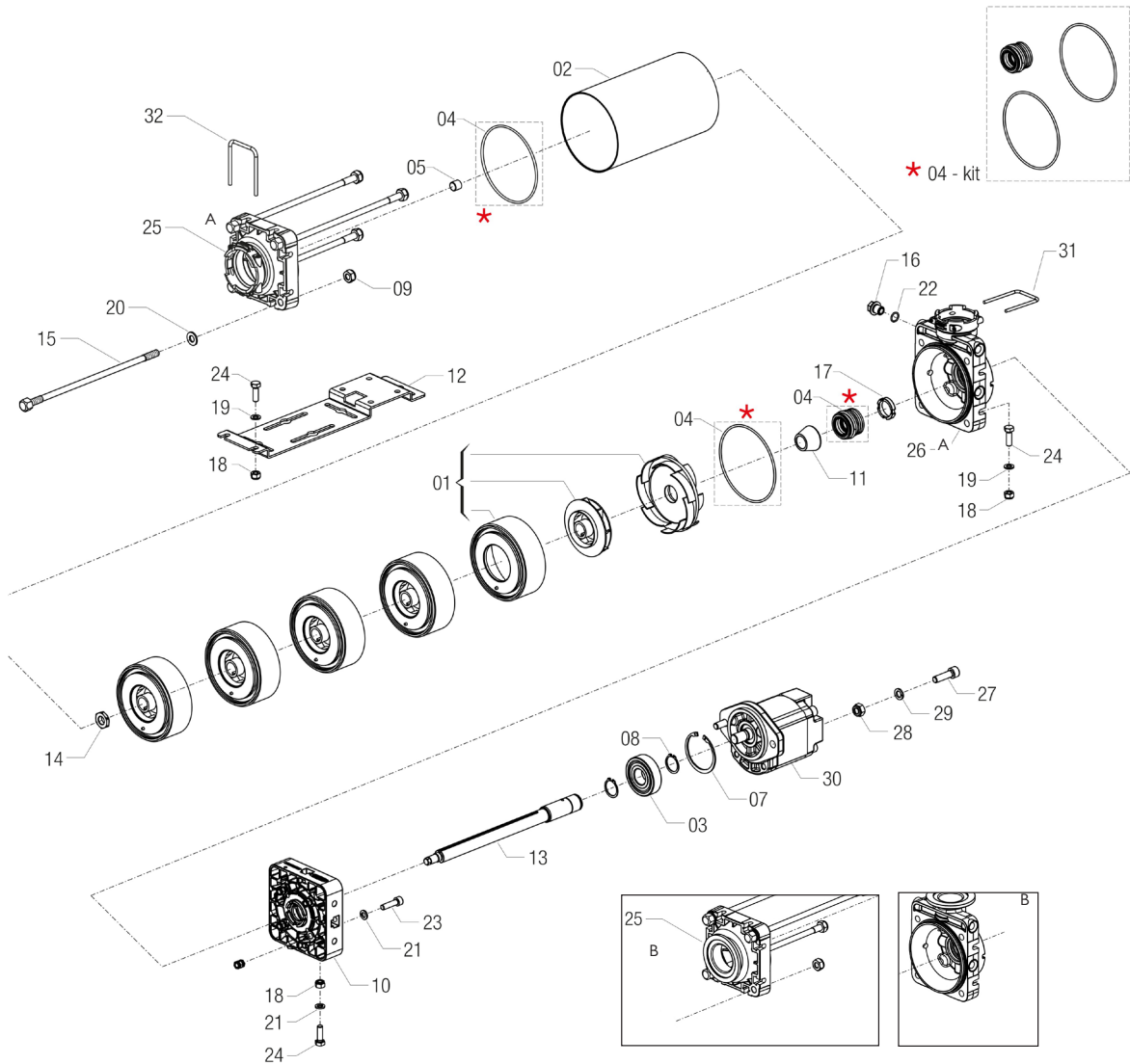
ITEM NO.	PART NUMBER	DESCRIPTION	QTY.
9	GA5047515	MOTOR, HYDRAULIC, 80CC/REV, 25.4MM SHAFT, SUIT SPRAY PUMP DRIVE	1
10	GA5000141	NUT M10 NYLOC ZP	8
11	GA5048385	O RING, 42.5 X 2.62, BS131, SUIT 2" HOSE BARB	1
12	PUMPCOVER250	PLATE, REAR PUMP SHAFT COVER, RO250, ZETA 260 AND 300	1
13	GA4408530	PLATE, SPRAY PUMP MOUNT, G8, MY20	1
14	GA5076307	SENSOR, SPRAY PUMP RPM, SUIT 4400 / 4070 / ISOBUS, INLINE 100NF CAP, RAVEN, 11170159929	1
15	GA5054500	PUMP ZETA 260 MI-I	1
16	GA4525010	RPM SENSOR MOUNT BRACKET, SUIT UDOR MI PUMP	1
17	GA5000321	SHCS M12 X 40 GR12.9 ZP	2
18	GA5000117	WASHER 10MM FLAT SS HD	16
19	GA5000577	WASHER 12MM FLAT SS HD	2
20	GA5000575	WASHER 12MM SPRING SS	2
21	GA5003643	WASHER 8MM FLAT SS HD	1

Spray Pump - ARAG MSP400



ITEM NO.	PART NUMBER	DESCRIPTION	QTY.
-	GA3000186	SENSOR, PUMP RPM, ARAG MP400	1
1	GA5004711	BOLT M8 X 25 GR8.8 ZP	6
2	GA2000114	FLANGE CLAMP, AND GASKET, 1.5", SERIES 200, HYPRO	1
3	GA5077834	HOSE BARB, ELBOW, 90 DEGREE, 2 FLANGE X 1 1/2 HOSE, BANJO, M200150BRB90	1
4	GA3500544	HYDRAULIC ADAPTOR NIPPLE, 1/4" BSP O-RING X 9/16" JIC, S74-0409	1
5	GA3501299	HYDRAULIC ADAPTOR, TUBE BEND, 90 DEG, 9/16" JIC MALE TO 9/16" JIC FEMALE SWIVEL, S103-0909	1
6	GA3500333	HYDRAULIC ADAPTER, ELBOW, 90 DEGREE, 1/2" MALE X 1/2" FEMALE SWIVEL	1
7	GA3500334	HYDRAULIC ADAPTOR, ELBOW, 90 DEGREE, 3/4" BSPT MALE X 3/4" BSPP FEMALE SWIVEL	1
8	GA3500310	HYDRAULIC ADAPTOR, NIPPLE, 1/2" BSPT MALE X 1/2" BSPP MALE	1
9	GA3500313	HYDRAULIC ADAPTOR, NIPPLE, 3/4" BSPT MALE X 1/2" BSPP MALE	1
10	GA5004917	NUT M8 NYLOC ZP	6
11	GA5052690	PNEUMATIC FITTING, ELBOW, 90 DEGREE, 1/4 BSP MALE X 8mm PUSH TYPE, METAL	1
12	GA2000123	PUMP, MULTISTAGE CENTRIFUGAL, HYDRAULIC DRIVE, 2" FP FLANGE INLET, 2" SP FLANGE OUTLET, ARAG MP400	1
13	GA5003643	WASHER 8mm FLAT SS HD	12

Spray Pump - ARAG MSP400 Assembly



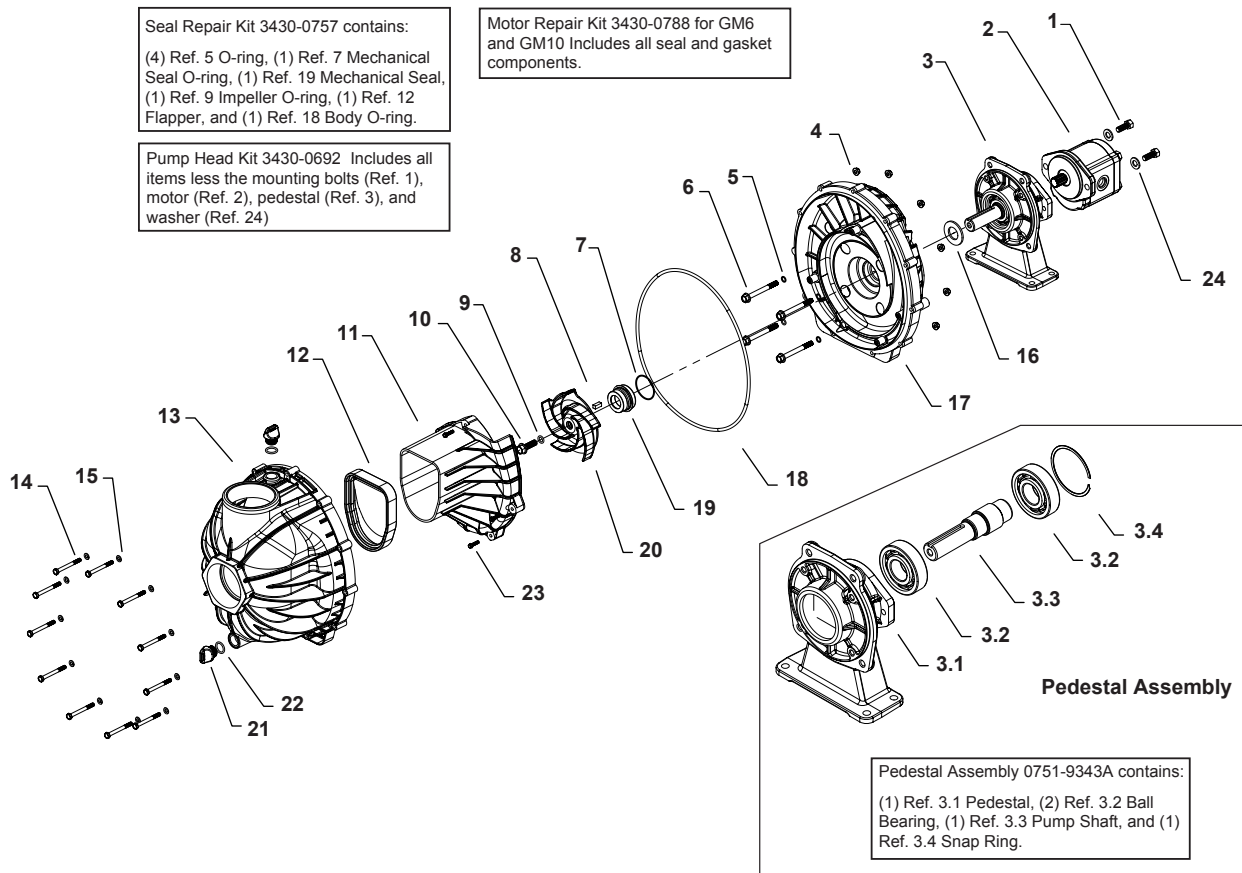
ITEM NO.	PART NUMBER	DESCRIPTION	QTY.
-	GA3000186	SENSOR, PUMP RPM, ARAG MP400	-
-	GA2000129	PUMP, MULTISTAGE CENTRIFUGAL, T7 INLET T6 OUTLET, ARAG MP400, PUMP ONLY, NO MOTOR OR RPM SENSOR	-
1	GA5073640	IMPELLER KIT MSP400 PP PUMP	-
2	GA2000182	PUMP TUBE COVER	-
3	GA5078740	RADIAL BALL BEARING, 6305-2RS, SUIT, ARAG, MSP400, 970000.061	-
4	GA5073620	TIGHTENING KIT	-
5	GA2000183	SPACER	-
7	GA2000184	CIRCLIP INNER	-
8	GA2000185	CIRCLIP OUTER	-
9	GA5078744	SELF-LOCKING NUT M10 INOX UNI7474, SUIT, ARAG, MSP400, B12261	-
10	GA2000186	BEARING SUPPORT	-

Continued over page

Spray Pump - ARAG MSP400 Assembly

ITEM NO.	PART NUMBER	DESCRIPTION	QTY.
11	GA5073625	INTERNAL SPACER MSP400 PUMP	-
12	GA5078745	BRACKET, FIXING, SUIT, ARAG, MSP400, 970050.05	-
13	GA2000187	SHAFT, MSP400, ARAG, 970050.05	-
14	GA5078747	BOLT, IMPELLER, TIGHTENING, SUIT, ARAG, MSP400, 97000.082	-
15	GA5078748	FIXING SCREW, 10X268MM S/S, SUIT, ARAG, MSP400 PUMP, 970050.091	-
16	GA5078749	PLUG, 1/4" M, SUIT, ARAG, MSP400 PUMP, 970000.084	-
17	GA5073630	SEAL SPACER	-
18	GA5078750	NUT, SELF LOCKING, M8, INOX UNI7474, SUIT, ARAG, MSP400 PUMP, B12251	-
19	GA5078751	WASHER, FLAT, 8.4X15X1.5 INOX, SUIT, ARAG, MSP400 PUMP, B202H0	-
20	GA5078752	WASHER, FLAT, D 10.5X21X2, INOX, SUIT, ARAG, MSP400, B202J0	-
21	GA5078753	WASHER, GROVER, D 8.2 INOX UNI1751, SUIT, ARAG, MSP400 PUMP, B222H0	-
22	GA2000188	O-RING, 1.78 X 12.42 MM, VITON	-
23	GA5078755	SCREW, TCEI, 8X30, INOX UNI5931, SUIT, ARAG, MSP400 PUMP, VIC25L	-
24	GA5078756	SCREW, TE, 8X25 INOX	-
25A	GA2000189	FLANGE, INLET, T7F	-
25B	GA2000191	FLANGE, INLET, 220 2" FP	-
26A	GA2000190	FLANGE, OULET, T6	-
26B	GA2000192	FLANGE, OUTLET, 220 2" SP	-
27	GA5078757	SCREW, TCEI, 10X35, INOX UNI5931, SUIT, ARAG, MSP400 PUMP, VIC26M	-
28	GA5078744	SELF-LOCKING NUT M10 INOX UNI7474, SUIT, ARAG, MSP400, B12261	-
29	GA5078758	WASHER, GROVER, 10.5X17.5X2.2 INOX, SUIT, ARAG, MSP400 PUMP, B222J0	-
30	GA5073645	11.2CC MOTOR	-
31	GA2000193	FORK D.4, DIST.47	-
32	GA2000194	FORK D.5, DIST.59	-

Hydraulic Fill Pump



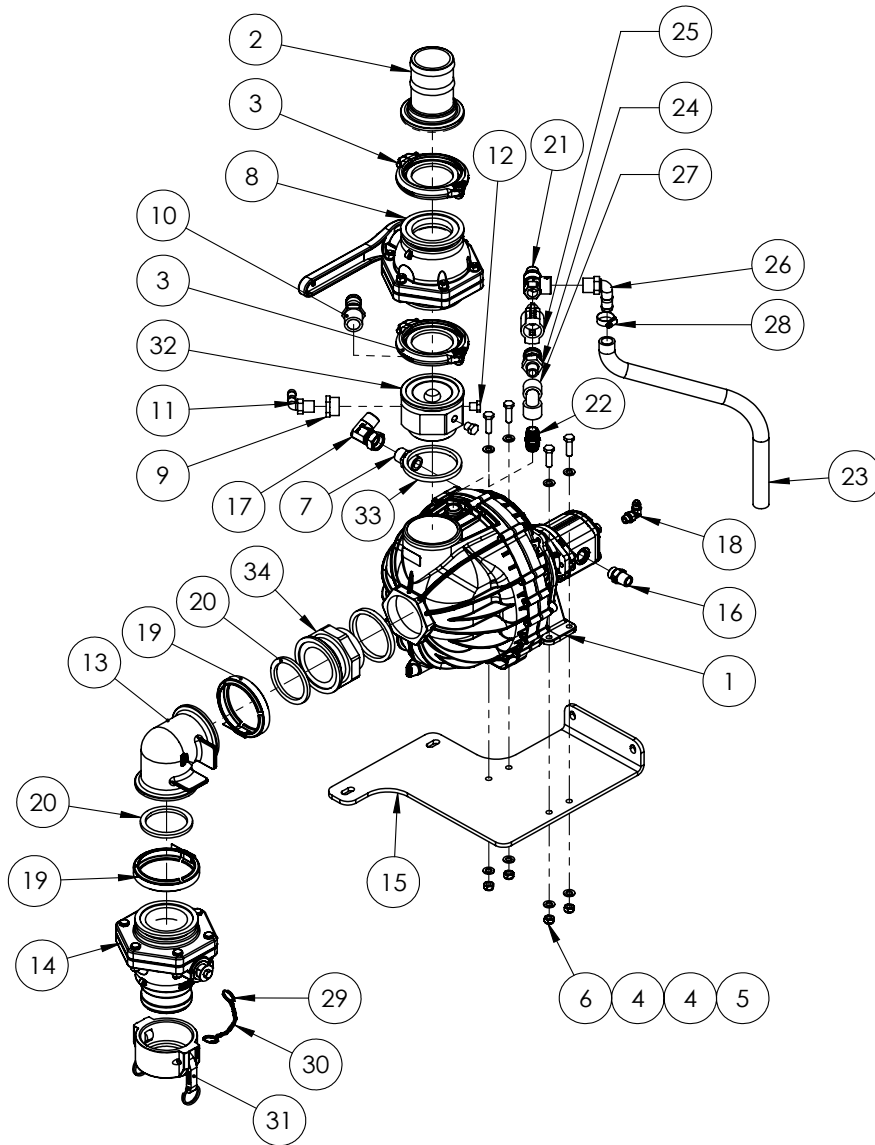
ITEM NO.	PART NUMBER	DESCRIPTION	QTY
1	GA0500200	SHCS, 3/8 UNC x 1", SS	2
2	GA3500933	HYDRAULIC MOTOR, 11.5CC, WITH CASE DRAIN, FILL PUMP, HYPRO	1
-	GA3501145	SEAL, KIT, FILL PUMP HYDRAULIC MOTOR, GA3500933, MODEL G6, "NO CASE DRAIN", ALM2A-S-16-S2-P696	-
-	GA3501661	SEAL, REPAIR KIT, FILL PUMP HYDRAULIC MOTOR, GA3500933, MARZOCCHI MODEL WITH CASE DRAIN, ALM2A-S-16-S2-E2-P696	-
3	GA5078785	PEDASTAL ASSY, SPLINE SHAFT, SUIT, HYPRO FILL PUMP, 9343 SERIES, 0751-9343	1
4	GA2000403	SEAL KIT, COMPLETE, 3" FILL PUMP, GA2000146, 3430-0757	
5	GA2000403	SEAL KIT, COMPLETE, 3" FILL PUMP, GA2000146, 3430-0757	
6	GA5078788	BOLT, HEX FLANGE, SUIT, HYPRO PUMP, 9343 SERIES, 2210-0182	4
7	GA2000403	SEAL KIT, COMPLETE, 3" FILL PUMP, GA2000146, 3430-0757	
8	GA5078790	KEY WAY, SUIT, HYPRO PUMP, SERIES 9343, 1610-0069	1
9	GA2000403	SEAL KIT, COMPLETE, 3" FILL PUMP, GA2000146, 3430-0757	

Continued over page

Hydraulic Fill Pump

ITEM NO.	PART NUMBER	DESCRIPTION	QTY
10	GA5078792	BOLT, FLANGED HEX, SUIT, HYPRO PUMP, SERIES 9343, 2210-0181	1
11	GA5078793	PUMP VOLUTE, SUIT, HYPRO PUMP, SERIES 9343, 0150-0154P	1
12	GA2000403	SEAL KIT, COMPLETE, 3" FILL PUMP, GA2000146, 3430-0757	
13	GA2000328	HOUSING, FILL PUMP, FRONT, 3", PENTAIR, 0100-1543PK	1
14	GA5004097	BOLT M6 X 60 GR8.8 ZP	15
15	GA5004437	WASHER M6 FLAT SS	15
16	GA5078797	SLINGER RING, SUIT, HYPRO PUMP, SERIES 9343, 1410-0091	1
17	GA2000329	HOUSING, FILL PUMP, REAR, 3", PENTAIR, 0750-1543P	1
18	GA2000403	SEAL KIT, COMPLETE, 3" FILL PUMP, GA2000146, 3430-0757	
19	GA2000403	SEAL KIT, COMPLETE, 3" FILL PUMP, GA2000146, 3430-0757	
20	GA2000404	IMPELLER, 3" FILL PUMP, GA2000146, 0400-1543P	1
21	GA5078800	FILL/DRAIN PLUG, SUIT, HYPRO PUMP, SERIES 9343, 2404-0350P	2
22	GA5078801	O-RING, FILL PLUG, SUIT, HYPRO PUMP, SERIES 9343, 1720-0230	2
23	GA5078802	WASHER, HEX, HEAD SCREW, SUIT, HYPRO PUMP, SERIES 9343, 2210-0183	4
24	GA5002565	WASHER 3/8" X 1" FLAT SS	2

Hydraulic Fill Pump



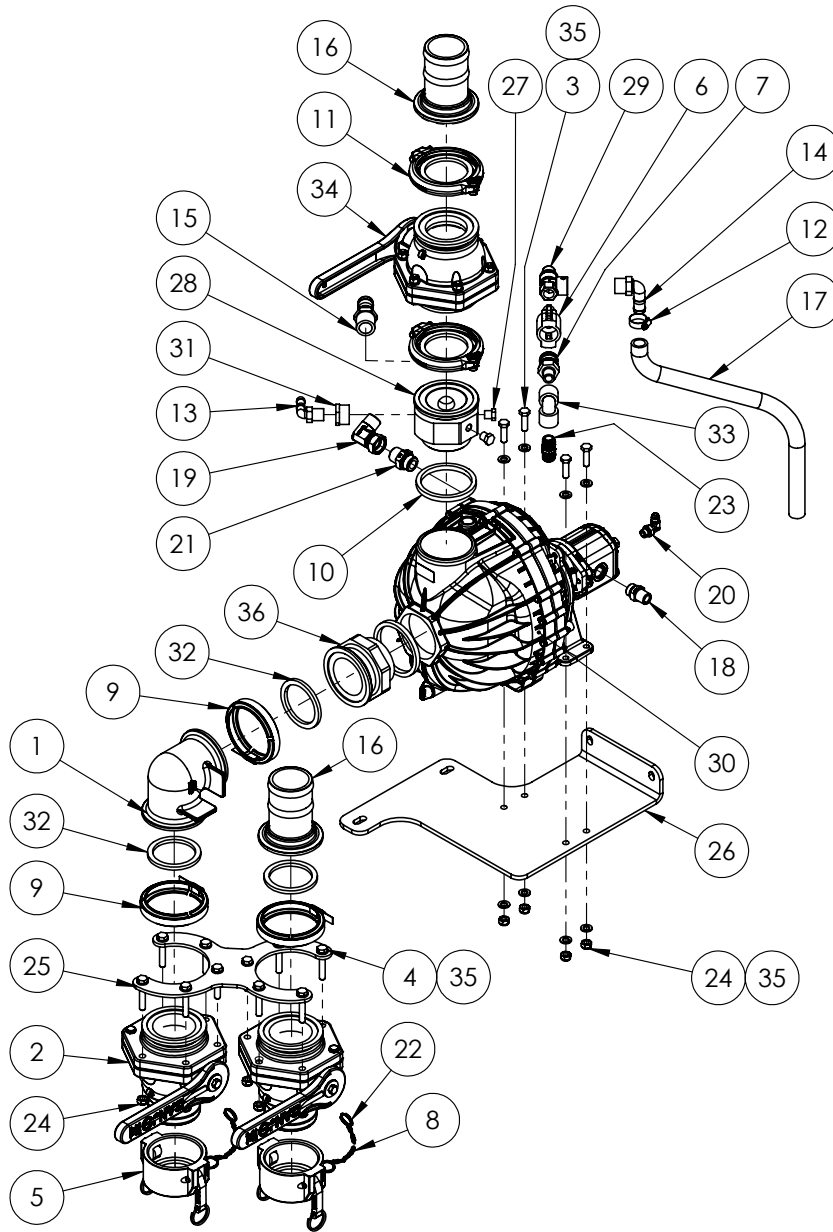
ITEM NO.	PART NUMBER	DESCRIPTION	QTY.
1	GA2000146	PUMP, FILL, 3", HYDRAULICALLY DRIVEN, HYPRO	1
2	GA2000061	PLUMBING FITTING, 3" FLANGE TO 3" BARB, BANJO, M300BRB	1
3	GA2000116	FLANGE CLAMP, INC. GASKET, 3", SERIES 300, HYPRO	2
4	GA5000117	WASHER M10 FLAT SS HD	8
5	GA5006111	BOLT M10 X 35 GR8.8 ZP	4
6	GA5000141	NUT M10 NYLOC ZP	4
7	GA3500369	HYDRAULIC ADAPTOR, NIPPLE, 3/4" BSPT MALE X 1 1/16" UN MALE O-RING, S93-1217	1
8	GA2000119	VALVE, BALL, 3" MANIFOLD FLANGE BOTH ENDS, STUBBY, BANJO, MVS300CFFP	1
9	GA5078013	BUSH, REDUCING, POLY, 1" MALE THREAD X 1/2" FEMALE THREAD, BANJO, RBI00050	1

Continued over page

Hydraulic Fill Pump

ITEM NO.	PART NUMBER	DESCRIPTION	QTY.
10	GA5077718	HOSE BARB, STRAIGHT, 1" MALE THREAD X 1" HOSE, BANJO, HB100	1
11	GA5077708	HOSE BARB, ELBOW, 90 DEGREE, 1/2 MALE THREAD X 1/2 HOSE, BANJO, HB050-90	1
12	GA5077942	PLUG, 1/4 MALE THREAD, BANJO, PLUG025	2
13	GA5077877	3" FLANGE X 3" FLANGE-90 DEGREE, M300CPG90	1
14	GA2000122	VALVE, BALL, 3" MANIFOLD FLANGE TO 3" CAM LOCK, STUBBY, BANJO, MVSF300FP	1
15	GA4408555	PLATE, FILL PUMP MOUNT, G8, MY20	1
16	GA3500364	HYDRAULIC ADAPTOR, NIPPLE, 1/2" BSPT MALE X 7/8" UN MALE O-RING, S93-0814	1
17	GA3500334	HYDRAULIC ADAPTOR, ELBOW, 90 DEGREE, 3/4" BSPT MALE X 3/4" BSPP FEMALE SWIVEL, S82-1212	1
18	GA3500716	HYDRAULIC ADAPTOR, ELBOW, 90 DEGREE, 9/16" JIC MALE X 9/16" UN MALE O-RING, S91-0909	1
19	FC300	CLAMP, 3" FLANGE MANIFOLD, BANJO	2
20	GA5076723	SEAL, EPDM, SUIT 3 FLANGE FITTING, BANJO, 300G	2
21	GA2000131	PRESSURE RELIEF VALVE, SPIKE, 4 BAR, 1/2" IN, 3/4" OUT, BRASS, CALEFFI	1
22	GA5077911	NIPPLE, SHORT, 1/2 MALE THREAD X 1/2 MALE THREAD, BANJO, NIP050-SH	1
23	GA2000216	HOSE, PRESSURE, 20MM, BLACK 250PSI, HOS20P	0.5
24	GA5075782	CAM LEVER, 3/4 MALE COUPLING X 1/2 MALE THREAD, BANJO, 050F	1
25	GA5077128	CAM LEVER, 3/4 FEMALE COUPLING X 1/2 MALE THREAD, BANJO, 75BI/2	1
26	GA5077717	HOSE BARB, ELBOW, 90 DEGREE, 3/4 MALE THREAD X 3/4 HOSE, BANJO, HB075-90	1
27	GA5077652	STREET ELBOW, 90 DEGREE, 1/2" FEMALE THREAD, BANJO, EL050-90	1
28	GA5000999	HOSE CLAMP, 3/4" SS (16-27/12W)	1
29	GA5002077	KEY RING, 25MM, SS	2
30	GA5001491	CHAIN 2 X 20 MM SS 316, 146102	0.15
31	GA5076719	CAM LEVER, FEMALE CAP, 3", BANJO, 300CAP	1
32	GA4583595	PLUMBING ADAPTOR, M300 FLANGE TO 3" NPT THREAD WITH SEAL & SIDE PORTS	1
33	GA5078838	EPDM SEAL, 3" NPT THREAD TAPER, PENTAIR FILL PUMP	2
34	GA4583660	PLUMBING ADAPTOR, M300 FLANGE TO 3" NPT THREAD	1

Hydraulic Fill Pump

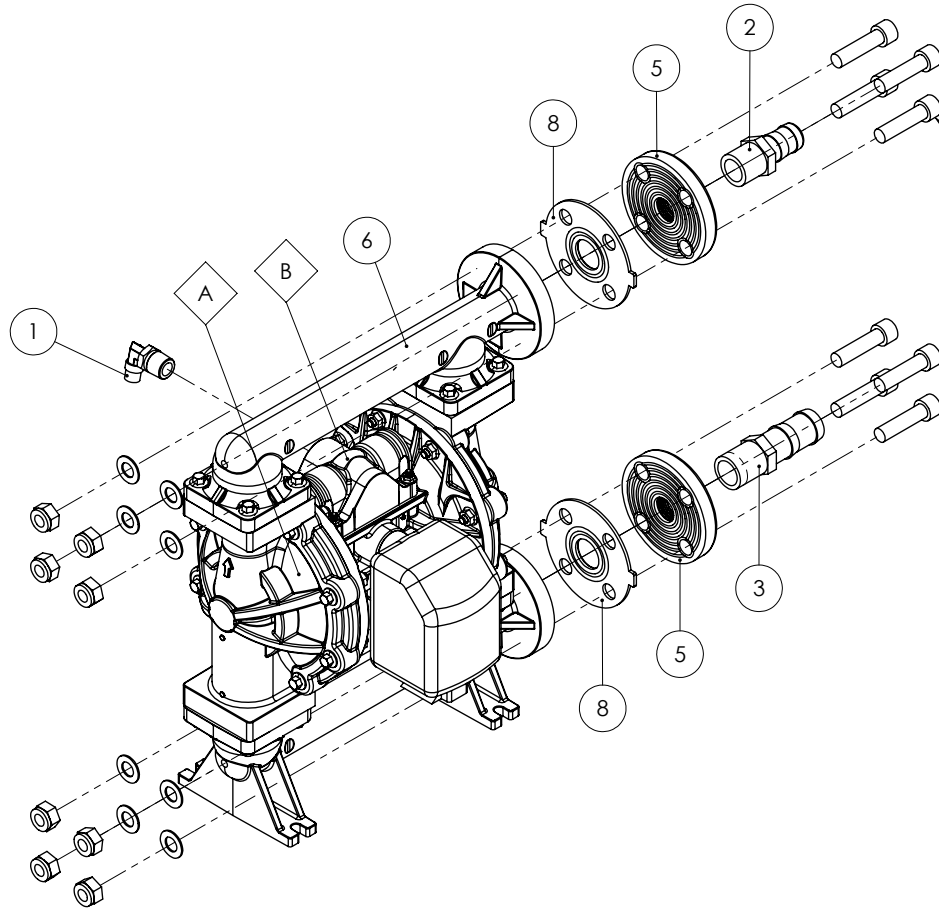


ITEM NO.	PART NUMBER	DESCRIPTION	QTY.
1	GA5077877	3" FLANGE X 3"FLANGE-90 DEGREE, M300CPG90	1
2	GA2000122	VALVE, BALL, 3" MANIFOLD FLANGE TO 3" CAM LOCK, STUBBY, BANJO, MVSF300FP	2
3	GA5006111	BOLT M10 X 35 GR8.8 ZP	4
4	GA5011175	BOLT M10 X 60 GR8.8 ZP	10
5	GA5076719	CAM LEVER, FEMALE CAP, 3", BANJO, 300CAP	2
6	GA5077128	CAM LEVER, 3/4 FEMALE COUPLING X 1/2 MALE THREAD, BANJO, 75BI/2	1
7	GA5075782	CAM LEVER, 3/4 MALE COUPLING X 1/2 MALE THREAD, BANJO, 050F	1

Hydraulic Fill Pump

ITEM NO.	PART NUMBER	DESCRIPTION	QTY.
8	GA5001491	CHAIN 2 X 20 MM SS 316, 146102	0.3
9	FC300	CLAMP, 3" FLANGE MANIFOLD, BANJO	3
10	GA5078838	EPDM SEAL, 3" NPT THREAD TAPER, PENTAIR FILL PUMP	2
11	GA2000116	FLANGE CLAMP, INC. GASKET, 3", SERIES 300, HYPRO	2
12	GA5000999	HOSE CLAMP, 3/4" SS (16-27/12W)	1
13	GA5077708	HOSE BARB, ELBOW, 90 DEGREE, 1/2 MALE THREAD X 1/2 HOSE, BANJO, HB050-90	1
14	GA5077717	HOSE BARB, ELBOW, 90 DEGREE, 3/4 MALE THREAD X 3/4 HOSE, BANJO, HB075-90	1
15	GA5077718	HOSE BARB, STRAIGHT, 1" MALE THREAD X 1" HOSE, BANJO, HB100	1
16	GA2000061	PLUMBING FITTING, 3" FLANGE TO 3" BARB, BANJO, M300BRB	2
17	GA2000216	HOSE, PRESSURE, 20MM, BLACK 250PSI, HOS20P	0.5
18	GA3500364	HYDRAULIC ADAPTOR, NIPPLE, 1/2" BSPT MALE X 7/8" UN MALE O-RING, S93-0814	1
19	GA3500334	HYDRAULIC ADAPTOR, ELBOW, 90 DEGREE, 3/4" BSPT MALE X 3/4" BSPP FEMALE SWIVEL, S82-1212	1
20	GA3500716	HYDRAULIC ADAPTOR, ELBOW, 90 DEGREE, 9/16" JIC MALE X 9/16" UN MALE O-RING, S91-0909	1
21	GA3500369	HYDRAULIC ADAPTOR, NIPPLE, 3/4" BSPT MALE X 1 1/16" UN MALE O-RING, S93-1217	1
22	GA5002077	KEY RING, 25MM, SS	4
23	GA5077911	NIPPLE, SHORT, 1/2 MALE THREAD X 1/2 MALE THREAD, BANJO, NIP050-SH	1
24	GA5000141	NUT M10 NYLOC ZP	14
25	GA4408690	PLATE, DIRECT FILL, G8 MY20	1
26	GA4408555	PLATE, FILL PUMP MOUNT, G8, MY20	1
27	GA5077942	PLUG, 1/4 MALE THREAD, BANJO, PLUG025	2
28	GA4583595	PLUMBING ADAPTOR, M300 FLANGE TO 3" NPT THREAD WITH SEAL & SIDE PORTS	1
29	GA2000131	PRESSURE RELIEF VALVE, SPIKE, 4 BAR, 1/2" IN, 3/4" OUT, BRASS, CALEFFI	1
30	GA2000146	PUMP, FILL, 3", HYDRAULICALLY DRIVEN, HYPRO	1
31	GA5078013	BUSH, REDUCING, POLY, 1" MALE THREAD X 1/2" FEMALE THREAD, BANJO, RB100050	1
32	GA5076723	SEAL, EPDM, SUIT 3 FLANGE FITTING, BANJO, 300G	3
33	GA5077652	STREET ELBOW, 90 DEGREE, 1/2" FEMALE THREAD, BANJO, EL050-90	1
34	GA2000119	VALVE, BALL, 3" MANIFOLD FLANGE BOTH ENDS, STUBBY, BANJO, MVS300CFFP	1
35	GA5000117	WASHER M10 FLAT SS HD	18
36	GA4583660	PLUMBING ADAPTOR, M300 FLANGE TO 3" NPT THREAD	1

Chemical Transfer Pump

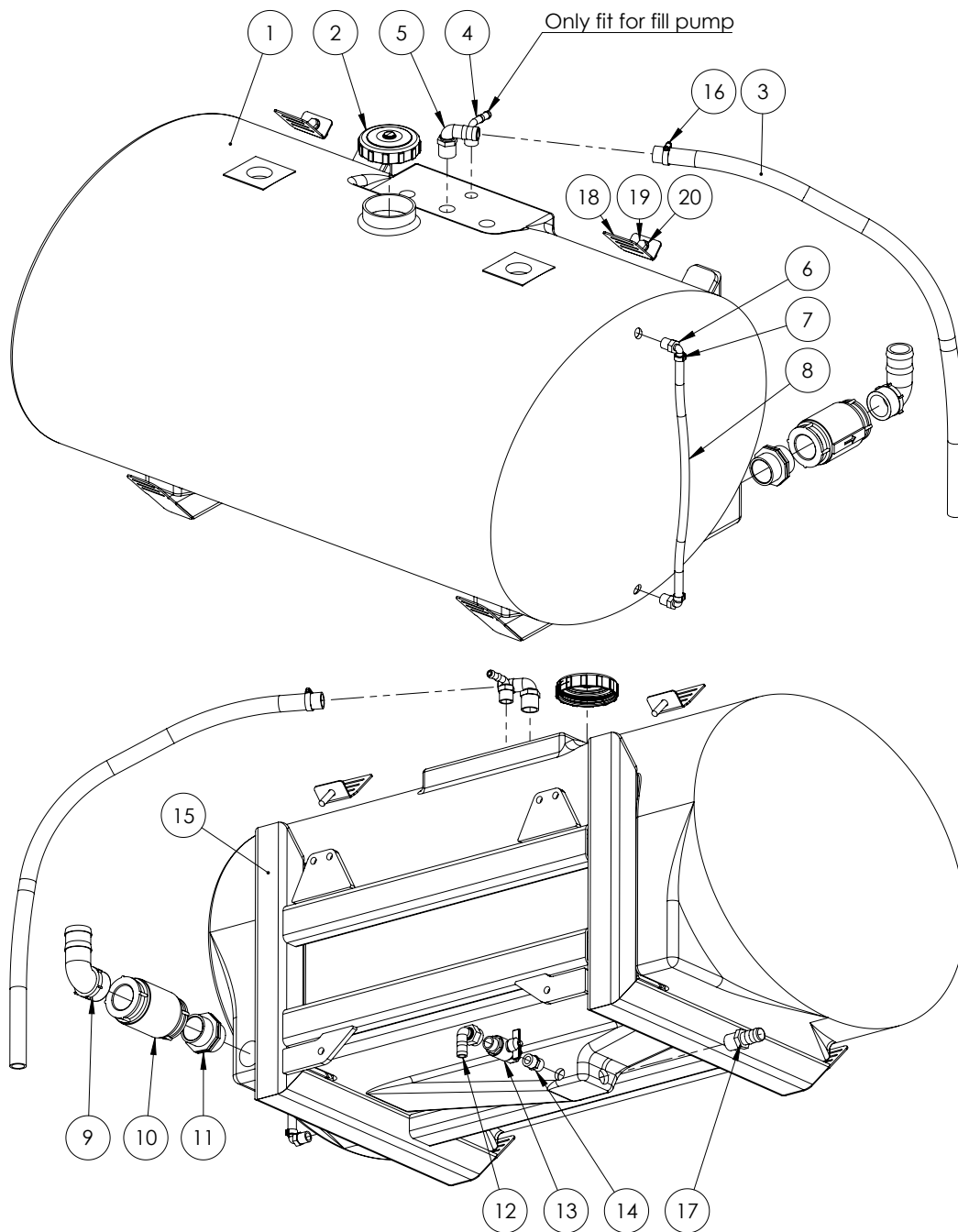


ITEM NO.	PART NUMBER	DESCRIPTION	QTY.
A	GA2000363	SEAL KIT, DIAPHRAGM, GRACO CHEMICAL TRANSFER GA2000152	1
B	GA2000330	SEAL KIT, AIR VALVE, GRACO CHEMICAL TRANSFER GA2000152	1
1	GA5018339	PNEUMATIC FITTING, ELBOW, 90 DEGREE, 8MM PUSH IN TYPE FITTING X 1/8" MALE THREAD	1
2	GA5077718	HOSE BARB, STRAIGHT, 1" MALE THREAD X 1" HOSE, BANJO, HB100	1
3	GA5077722	HOSE BARB, STRAIGHT, 1 MALE THREAD X 1 1/4 HOSE, BANJO, HB100-125	1
4	GA5012427	NUT M14 NYLOC ZP	8
5	GA2000150	PLUMBING FITTING, ANSI FLANGE TO 1" FEMALE NPT THREAD, AF100, BANJO	2
6	GA2000152	PUMP, CHEMICAL TRANSFER, DIAPHRAGM, SIDE PORTED, GRACO HUSKY 1050P	1
7	GA0500100	SHCS M14 X 55, ZP, GR 12.9	8
8	GA2000151	SEAL, 1" ANSI FLANGE, AF100G, BANJO	2
9	GA5050325	WASHER 14MM FLAT SS	8

Chapter 3

FLUSH TANK

Rinse Water Tank & Frame



Continues Over Page

Rinse Water Tank & Frame

ITEM NO.	PART NUMBER	DESCRIPTION	QTY.
1	GA5069961	TANK, 520L, FRESH WATER SP BLACK, BARE	1
2	GA5076885	LID, DIAMETER 113MM, WITH BREATHER	1
3	GA2000220	HOSE, SUCTION, PVC, 25MM, BLACK - CUT 1200 MM	1
4	GA5077710	HOSE BARB, ELBOW, 90 DEGREE, 3/4" MALE THREAD X 1/2" HOSE, BANJO	1
5	GA5077723	HOSE BARB, ELBOW, 90 DEGREE, 1" MALE X 1" HOSE, BANJO	1
6	GA5077708	HOSE BARB, ELBOW, 90 DEGREE, 1/2" MALE THREAD X 1/2" HOSE	2
7	GA5007231	HOSE CLAMP, COBRA TYPE, 1/2"	2
8	GA2000209	HOSE, CLEAR, 12MM, SIGHT TUBE - CUT 550 MM	1
9	GA5077740	HOSE BARB, ELBOW, 90 DEGREE, 2" MALE THREAD X 2" HOSE, BANJO	1
10	GA2000111	VALVE, CHECK, 2" FEMALE THREAD INLET AND OUTLET	1
11	GA5078410	PLUMBING FITTING, NIPPLE, 2"	1
12	GA5077746	HOSE BARB, ELBOW, 90 DEGREE, 3/4" FEMALE THREAD X 3/4" HOSE	1
13	GA5018315	VALVE, BALL, 20MM, 3/4" MALE, FEMALE, BLACK BUTTERFLY HANDLE, BRASS	1
14	GA5077913	NIPPLE, 3/4" MALE X 3/4" MALE, SHORT, BANJO	1
15	GA4658936	FRESH WATER TANK FRAME 520L	1
16	GA5001681	HOSE CLAMP, 1" SS (20-32/12W)	1
17	GA5077718	HOSE BARB, STRAIGHT, 1" MALE THREAD X 1" HOSE	1
18	F70127A	BRACKET, TANK STRAP, 50MM	2
19	GA5011239	BOLT M12 X 50 GR 8.8 ZP	2
20	GA5000577	WASHER 12MM FLAT SS HD	2

Chapter 4

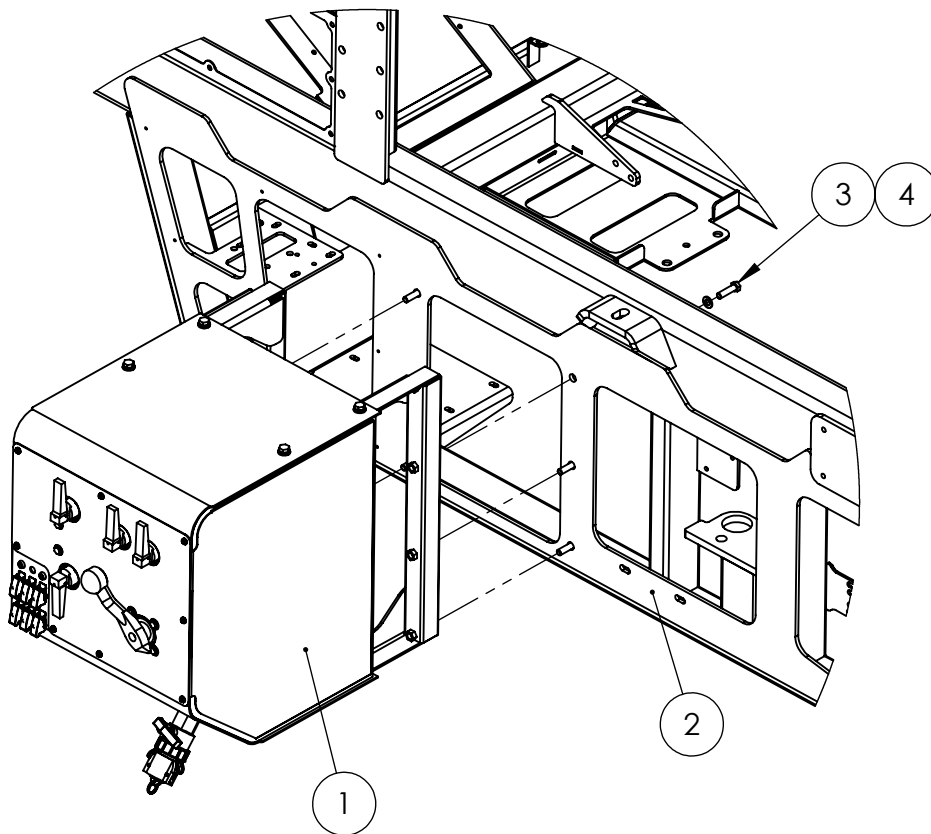
RH POD

Not Fitted

Chapter 5

LH POD

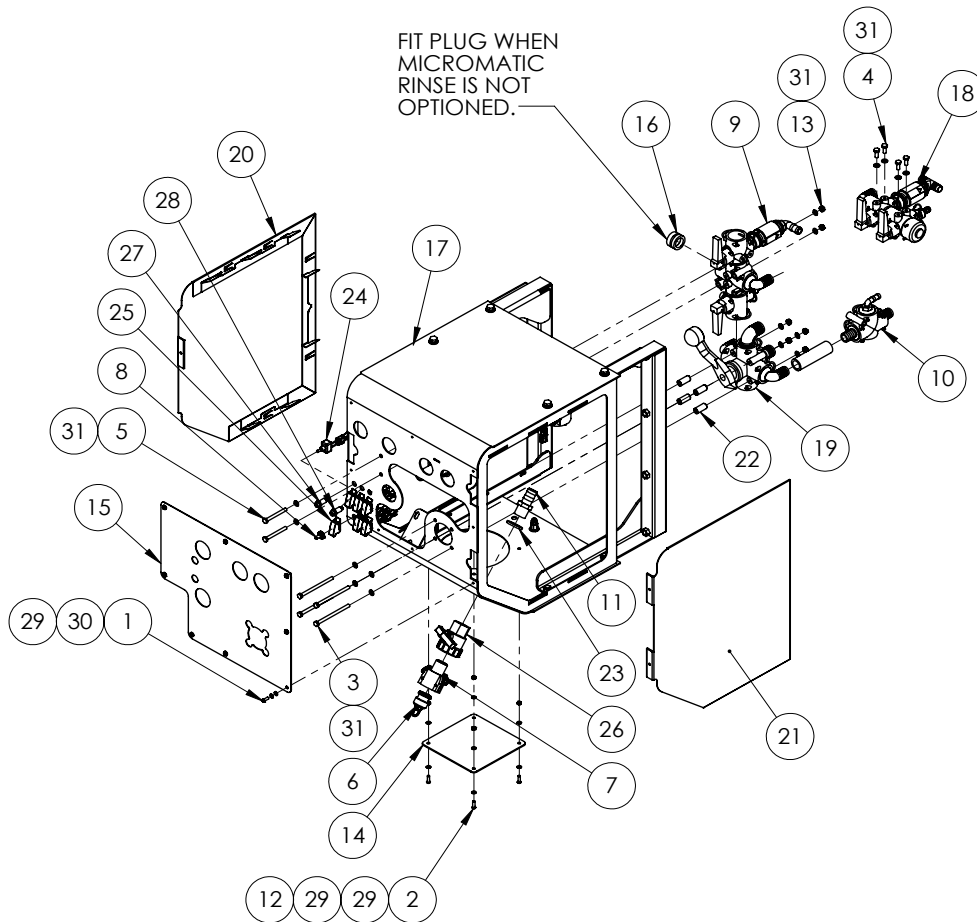
LH Pod - Mounting



ITEM NO.	PART NUMBER	DESCRIPTION	QTY.
1	GA6100850	PLUMBING POD ASSEMBLY, CONFIGURABLE, G8, MY20	1
2	GA4661340	CHASSIS, ASSEMBLY, G8, MY20, TOP LEVEL	1
3	GA5000327	SET SCREW M12 X 45 GR8.8 ZP	6
4	GA5000577	WASHER 12MM FLAT SS HD	6

* Sub-assembly on following pages

LH Pod - Base



ITEM NO.	PART NUMBER	DESCRIPTION	QTY.
1	GA5004050	BHCS M6 X 16 SS A2-70	8
2	GA5004053	BHCS M6 X 20 SS A2-70	4
3	GA5011501	BOLT M8 X 120 GR8.8 ZP	4
4	GA5004085	BOLT M8 X 20 GR8.8 ZP	4
5	GA5052600	BOLT M8 X 75 SS A2-70	2
6	GA5076005	CAM LEVER, MALE PLUG, SUITS 1 & 1 1/4 COUPLINGS, BANJO, 100125PL	1
7	GA5076007	CAM LEVER, 1 FEMALE COUPLER, 1 MALE THREAD, BANJO, 100B	1
8	GA5012175	COVER, TOGGLE SWITCH, WATERPROOF, NARVA, SUITS GA5016749.	6
9	GA4907810	FILL MANIFOLD, SUB ASSEMBLY, LH POD, G5, G6, G8, MY17	1
10	GA4902255	HOPPER TEE ASSEMBLY, PLUMBING POD, G5, G6, G8, MY17	1
11	GA5077718	HOSE BARB, STRAIGHT, 1" MALE THREAD X 1" HOSE, BANJO, HB100	1
12	GA5048115	NUT M6 NYLOC ZP	4
13	GA5052590	NUT M8 NYLOC SS	6
14	GA4408700	PLATE, BLANKING, 3" FILL, PLUMBING POD, G8 MY20	1
15	GA4401545	PLATE, PLUMBING POD, G4.7, G5, G6, MY17	1

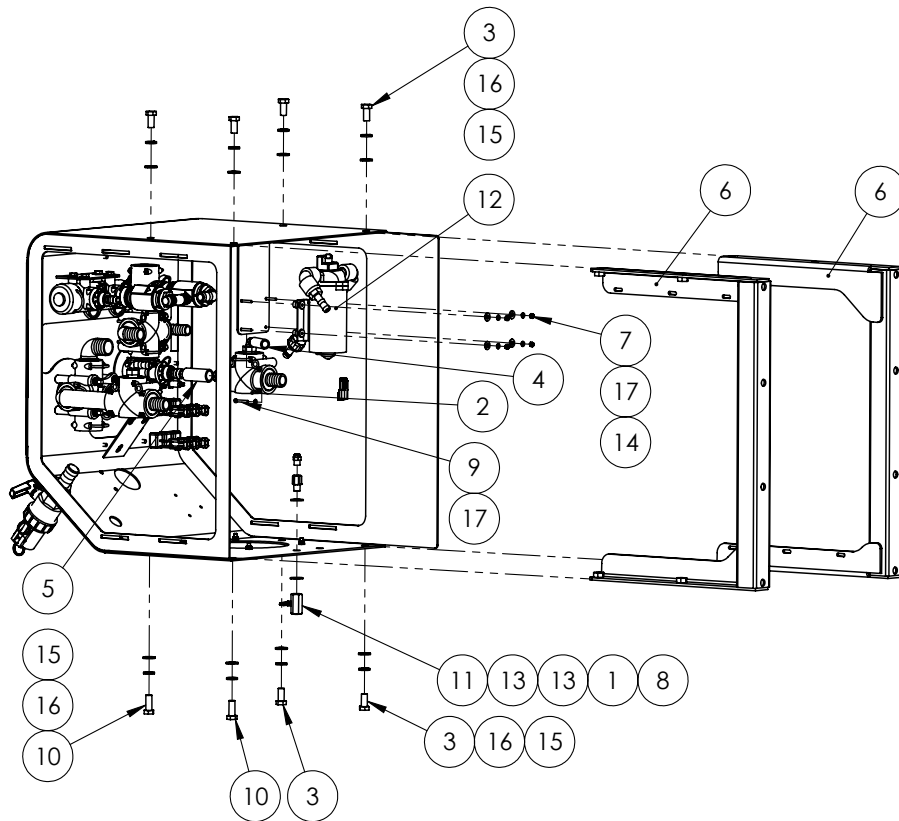
Continues Over Page

LH Pod - Base

ITEM NO.	PART NUMBER	DESCRIPTION	QTY.
16	GA5065680	PLUG, AS40 MALE, ALTEK	2
17	GA4600865	PLUMBING CONTROL POD FRAME, G4.7, G5, G6, G8 MY17	1
18	GA4902245	RINSE AND AGITATOR MANIFOLD SUB ASSEMBLY, PLUMBING POD, G5, G6, G8, MY17	1
19	GA4902241	ROTARY TAP SUB ASSEMBLY, PLUMBING POD, G5, G6, G8, MY18	1
20	GA4401555	PLATE, SIDE COVER A, PLUMBING POD, G4.7, G5, G6, MY17	1
21	GA4401560	PLATE, SIDE COVER B, PLUMBING POD, G4.7, G5, G6, MY17	1
22	GA4552135	SPACER FOR ALTEK ROTARY VALVE	4
23	GA4552865	SPACER, RING, 34MM, POD FILL POINT FITTING	1
24	GA5060064	SWITCH, TOGGLE, ON / OFF, PRE ASSEMBLED WITH 2 PIN WEATHER PACK CONNECTOR	6
25	GA5016753	TOGGLE SWITCH COVER, MISSILE, NARVA	6
26	GA5078164	VALVE, BALL, 1" FEMALE THREAD INLET / OUTLET, FULL PORT, LEVER HANDLE, BANJO, UV100FP	1
27	GA5009647	WARNING LIGHT, LED, GREEN	1
28	GA5013799	WARNING LIGHT, LED, RED	1
29	GA5004437	WASHER 6MM FLAT SS	16
30	GA5004447	WASHER 6MM SPRING SS	8
31	GA5003643	WASHER 8MM FLAT SS HD	16

Continues Over Page

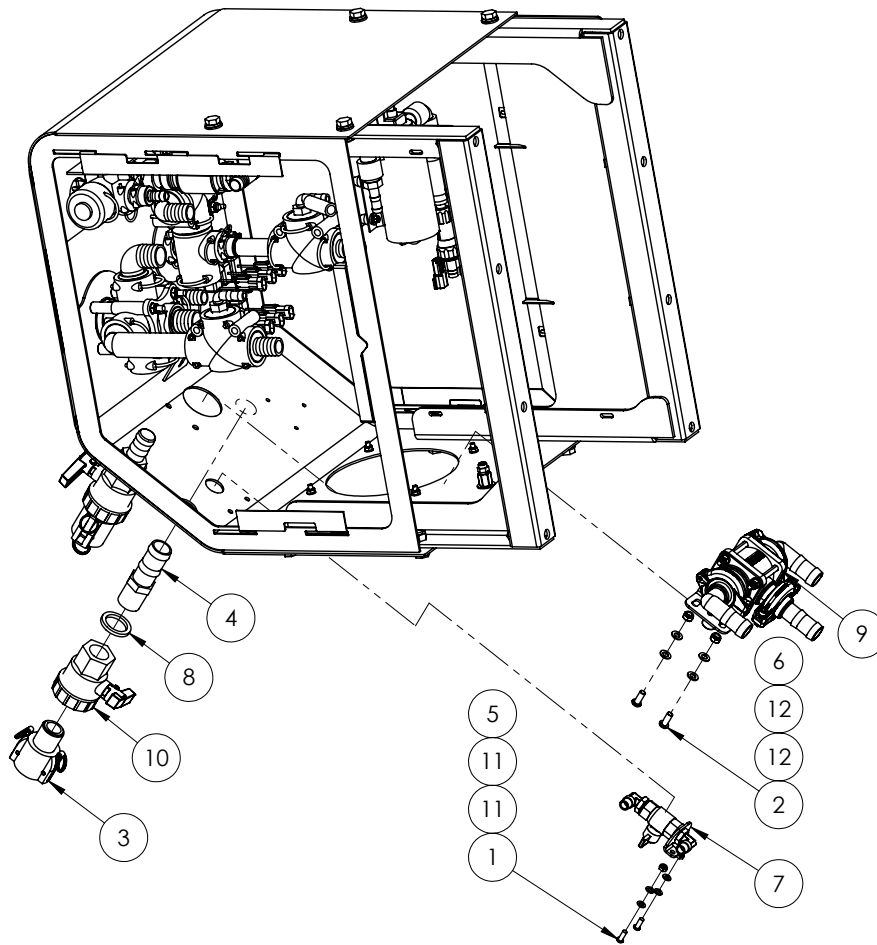
LH Pod - Base



ITEM NO.	PART NUMBER	DESCRIPTION	QTY.
1	GA5074085	ADAPTOR FITTING, BRASS, 1/4" BSPT MALE, 1/4" BSPT FEMALE, BF072-0404	1
2	*	PLUMBING POD ASSEMBLY, G5, G6, MY17	1
3	GA5011229	BOLT M12 X 25 GR8.8 ZP	6
4	GA2000211	HOSE, PRESSURE, 12MM, BLACK, 250PSI, HOS13P, SOLD PER METER	0.6
5	GA2000216	HOSE, PRESSURE, 20MM, BLACK 250PSI, HOS20P, SOLD PER METER	0.6
6	GA4658805	MOUNTING BRACKET U SHAPE SUIT POD MY11	2
7	GA5003501	NUT M4 NYLOC ZP	4
8	GA5045140	PNEUMATIC FITTING, NIPPLE, PUSH IN 6MM X 1/4" BSPT, BRASS	1
9	GA5011367	SHCS M4 X 30 ZP GR12.9	4
10	GA5000305	SET SCREW M12 X 30 GR8.8 ZP	2
11	GA5018321	BALL VALVE, 1/4" FEMALE, BLACK LEVER HANDLE, CHROMED	1
12	GA4949515	PUMP ASSEMBLY, WASH DOWN GUN, G6 MY20	1
13	GA5017641	WASHER 1/2 X 1 X 16G FLAT SS	2
14	GA5017643	WASHER 1/4 ID X 5/8 OD X 18G FLAT SS	4
15	GA5000577	WASHER 12MM FLAT SS HD	8
16	GA5000575	WASHER 12MM SPRING SS	8
17	GA5020510	WASHER 4MM FLAT SS	8

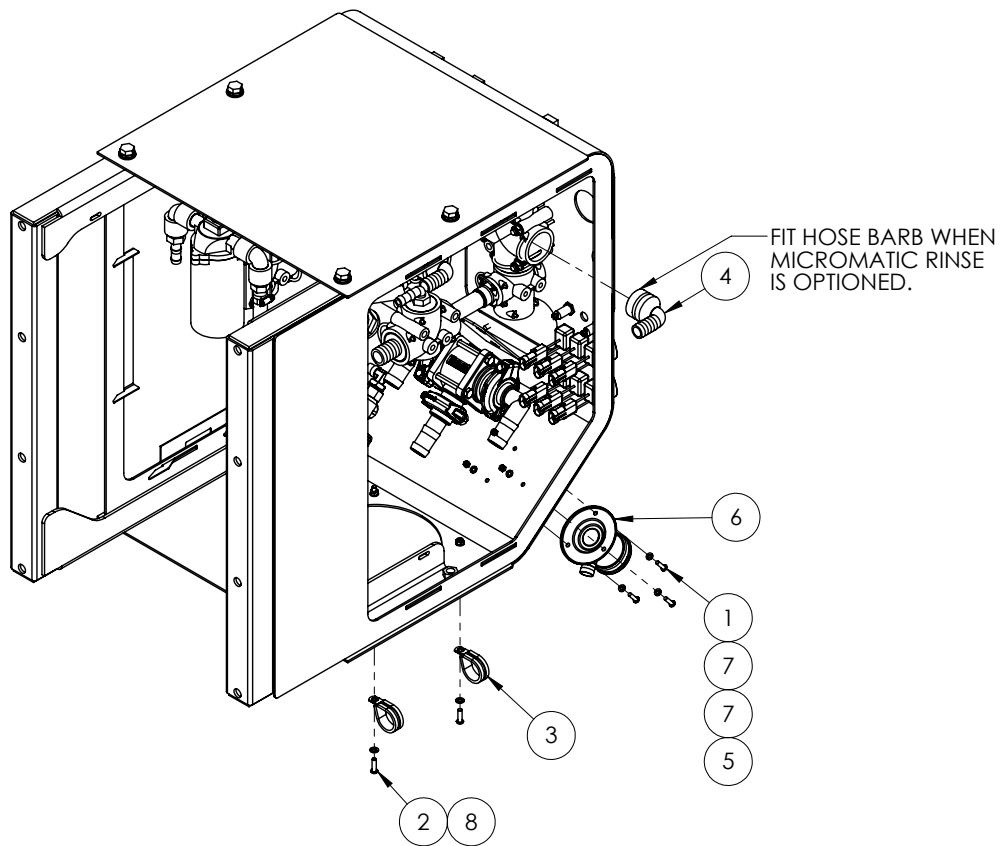
* Sub-assembly on following pages

LH Pod - Chemical Probe



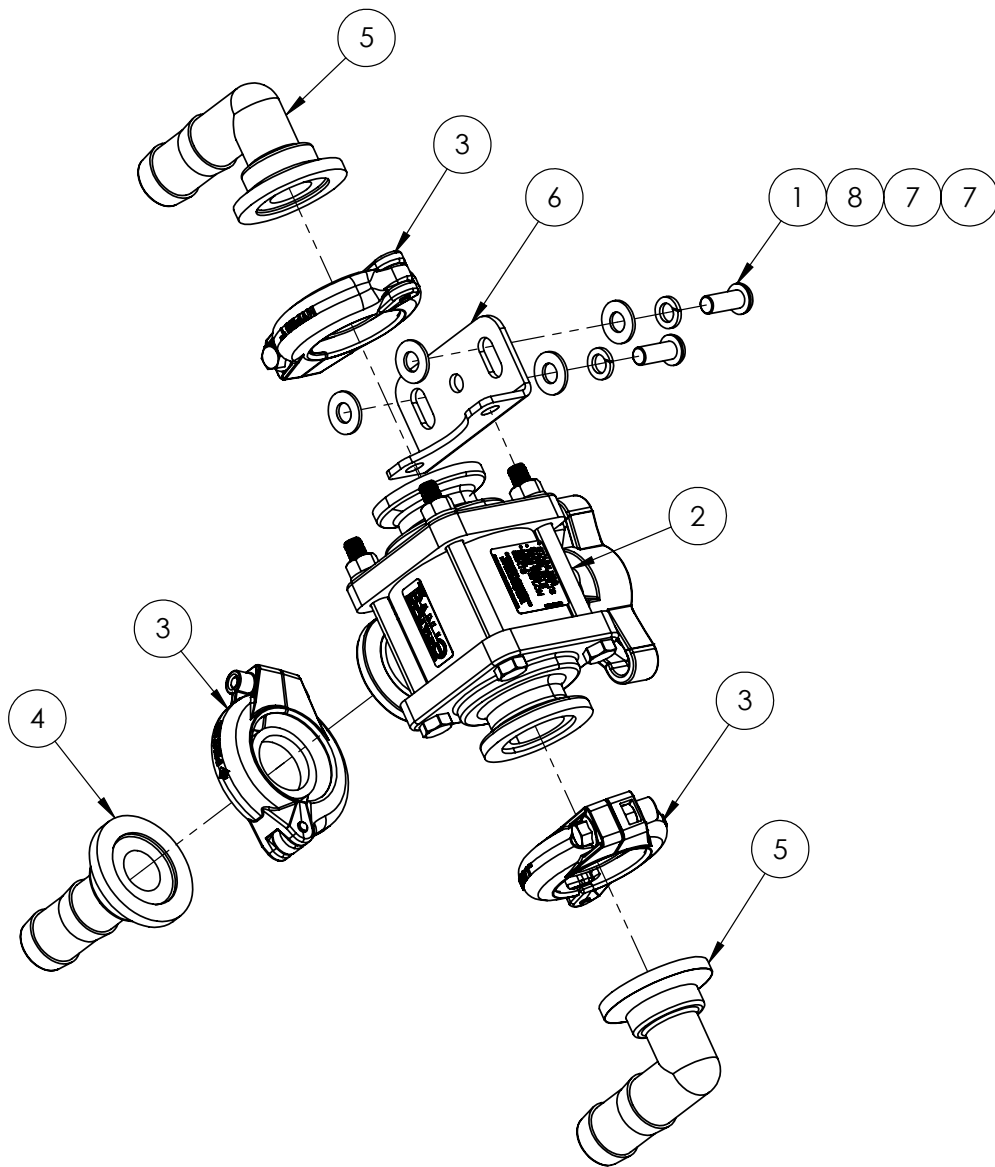
ITEM NO.	PART NUMBER	DESCRIPTION	QTY.
1	GA5004050	BHCS M6 X 16 SS A2-70	2
2	GA0500102	BHCS M8 X 20 SS A2-70	2
3	GA5076007	CAM LEVER, 1 FEMALE COUPLER, 1 MALE THREAD, BANJO, 100B	1
4	GA5077722	HOSE BARB, STRAIGHT, 1 MALE THREAD X 1 1/4 HOSE, BANJO, HB100-125	1
5	GA5048115	NUT M6 NYLOC ZP	2
6	GA5052590	NUT M8 NYLOC SS	2
7	GA4949510	PRODUCTION DRAWING ONLY, VALVE, CHEMICAL PUMP AIR FEED, G6 MY20	1
8	GA4552865	SPACER, RING, 34MM, POD FILL POINT FITTING	1
9	GA4950855	VALVE ASSEMBLY, CHEMICAL PUMP OUTLET SELECTOR, G8 MY20	1
10	GA5078164	VALVE, BALL, 1" FEMALE THREAD INLET / OUTLET, FULL PORT, LEVER HANDLE, BANJO, UV100FP	1
11	GA5004437	WASHER 6MM FLAT SS	4
12	GA5003643	WASHER 8MM FLAT SS HD	4

LH Pod - Micromatic Rinse



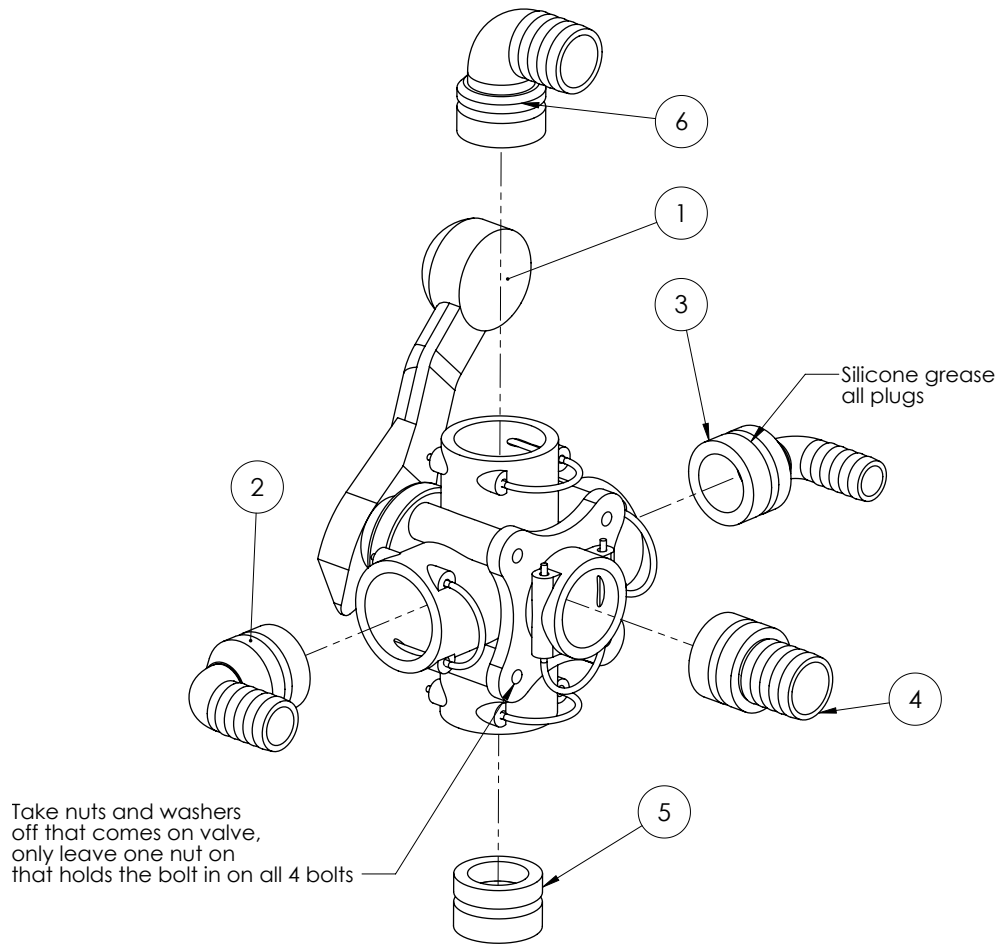
ITEM NO.	PART NUMBER	DESCRIPTION	QTY.
1	GA0500004	BHCS M5 X 20 SS A2-70	3
2	GA5004053	BHCS M6 X 20 SS A2-70	2
3	GA5048090	CLAMP P 35MM 56487	2
4	GA5065610	HOSE BARB, ELBOW, 90 DEGREE, AS40 X 20MM HOSE, ALTEK	1
5	GA5003974	NUT M5 NYLOC ZP	3
6	GA5018800	RINSING SOCKET, 3 PIN, MICROMATIC / ENVIRO DRUM COUPLING	1
7	GA5003983	WASHER 5MM FLAT SS	6
8	GA5004437	WASHER 6MM FLAT SS	2

Ball Valve - 3-Way - Main Tank/Hopper



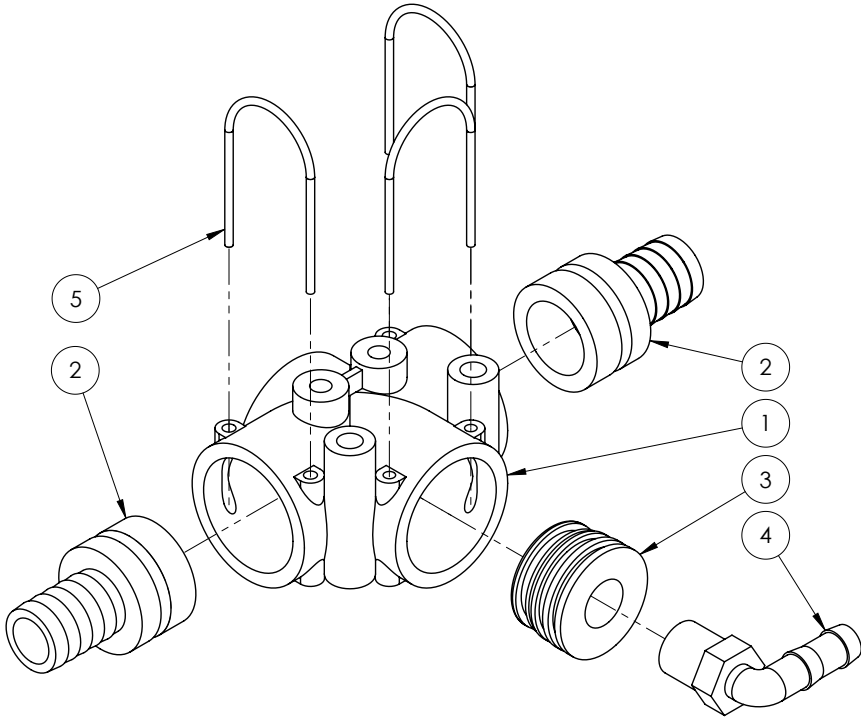
ITEM NO.	PART NUMBER	DESCRIPTION	QTY.
1	GA0500102	BHCS M8 X 20 SS A2-70	2
2	GA5077901	VALVE, 3 WAY, 1" FLANGE PORTS, SIDE LOAD, MV100SL	1
3	GA2000113	FLANGE CLAMP, AND GASKET, 1", SERIES 100, HYPRO	3
4	GA5077811	HOSE BARB, STRAIGHT, 1 FLANGE X 1 HOSE, BANJO, M100BRB	1
5	GA5077812	HOSE BARB, ELBOW, 90 DEGREE, 1 FLANGE X 1 HOSE, BANJO, M100BRB90	2
6	GA4502210	PLATE, MOUNTING BRACKET, V100 BALL VALVE	1
7	GA5003643	WASHER 8MM FLAT SS HD	4
8	GA5004919	WASHER 8MM SPRING SS	2

Pressure Delivery Manifold



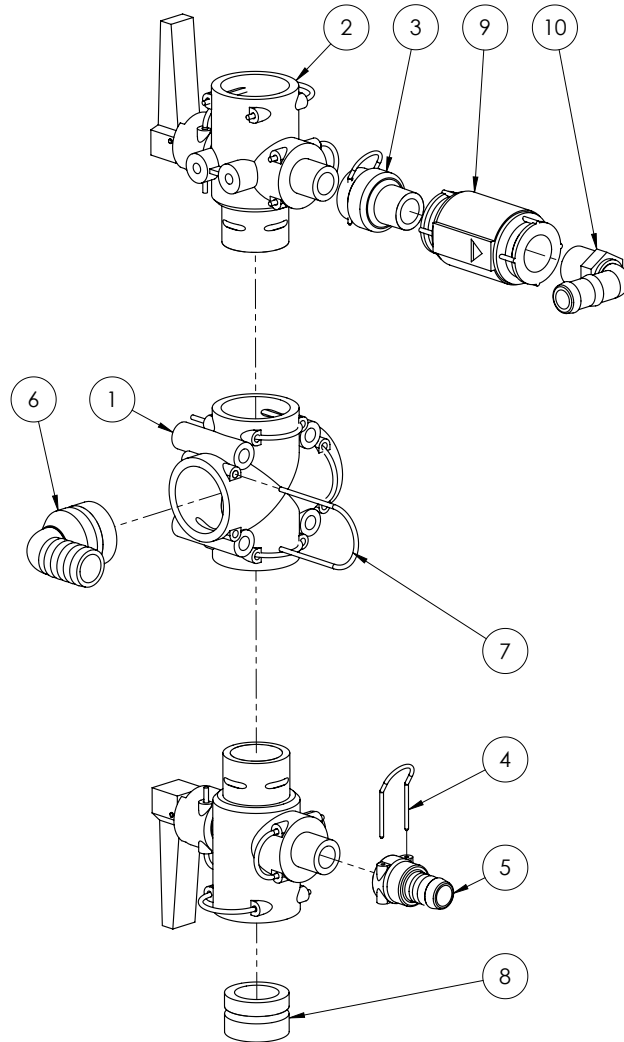
ITEM NO.	PART NUMBER	DESCRIPTION	QTY.
1	GA5065530	VALVE,BALL, 5 X AS40 FEMALE INLET / OUTLETS, LEVER HANDLE	1
2	GA5065615	HOSE BARB, ELBOW 90 DEGREE, AS40 X 25MM	1
3	GA5065610	HOSE BARB, ELBOW, 90 DEGREE, AS40 X 20MM HOSE, ALTEK	1
4	GA5065585	HOSE BARB, STRAIGHT, AS40, 33MM HOSE, ALTEK	1
5	GA5065680	PLUG, AS40 MALE, ALTEK	1
6	GA5065620	HOSE BARB, ELBOW, 90 DEGREE, AS40 X 33MM HOSE BARB, ALTEK	1

Hopper Manifold



ITEM NO.	PART NUMBER	DESCRIPTION	QTY.
1	GA506555	TEE, AS40 FEMALE, NO M8 INSERTS	1
2	GA506580	PLUG IN HOSE TAIL AS40/25	2
3	GA4582345	DUMMY PLUG AS40 G 1 / 2" FEMALE (45MM DELRON)	1
4	GA5077708	HOSE BARB, ELBOW, 90 DEGREE, 1 / 2" MALE THREAD X 1 / 2" HOSE	1
5	GA5065690	SAFETY PIN, SUIT AS40 PLUMBING FITTINGS	3

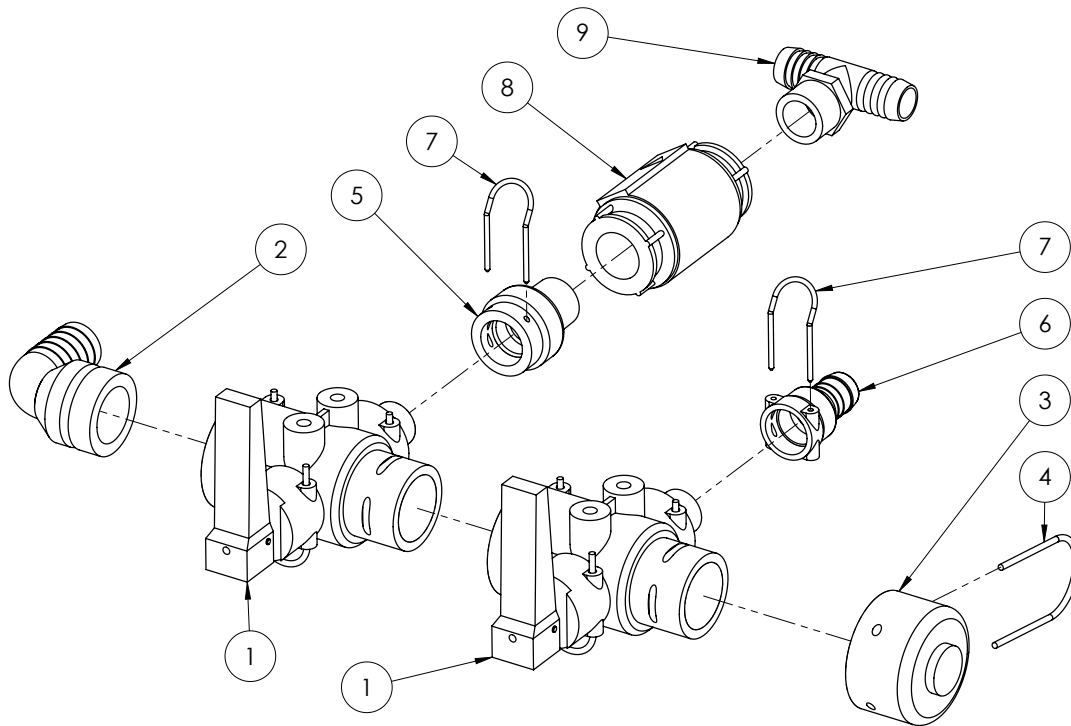
Main Tank Rinse/Rinse Tank Fill Manifold



ITEM NO.	PART NUMBER	DESCRIPTION	QTY.
1	GA5065565	PLUMBING COUPLING, CROSS, AS40 FEMALE INLETS / OUTLETS	1
2	GA5065545*	VALVE, QUICK FIT FLIP TOP, 2 WAY, AS40 MALE X AS24 FEMALE X AS40 FEMALE	2
3	GA4582415	PLUMBING ADAPTOR, AS24 FEMALE X 3/4" BSPT MALE	1
4	GA5065695	SAFETY PIN AS24	2
5	GA5065640	HOSE BARB, AS24 FEMALE X 20MM HOSE	1
6	GA5065615	HOSE BARB, ELBOW 90 DEGREE, AS40 X 25MM	1
7	GA5065690	SAFETY PIN, SUIT AS40 PLUMBING FITTINGS	4
8	GA5065680	PLUG, AS40 MALE	1
9	GA5002473	VALVE NONRETURN, CHECK 3/4"	1
10	GA5077717	HOSE BARB, ELBOW, 90 DEGREE, 3/4" MALE THREAD X 3/4" HOSE	1

* Sub-assembly on following pages

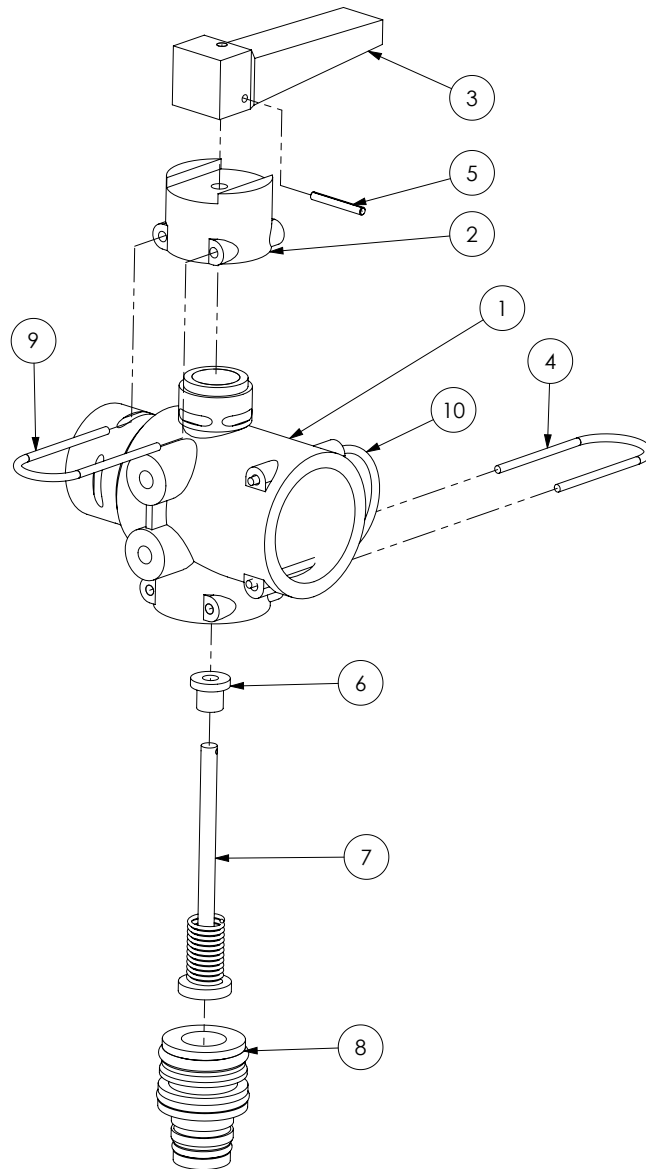
Main Tank Rinse/Agitation Manifold



ITEM NO.	PART NUMBER	DESCRIPTION	QTY.
1	GA5065545*	VALVE, QUICK FIT FLIP TOP, 2 WAY, AS40 MALE X AS24 FEMALE X AS40 FEMALE	2
2	GA5065615	HOSE BARB, ELBOW 90 DEGREE, AS40 X 25MM	1
3	GA4582395	PLUMBING FITTING, CAP, AS40	1
4	GA5065690	SAFETY PIN, SUIT AS40 PLUMBING FITTINGS	1
5	GA4582415	PLUMBING ADAPTOR, AS24 FEMALE X 3/4" BSPT MALE	1
6	GA5065640	HOSE BARB, AS24 FEMALE X 20MM HOSE	1
7	GA5065695	SAFETY PIN AS24	2
8	GA5002473	VALVE NON-RETURN, CHECK 3/4"	1
9	GA3500431	HOSE BARB, TEE, 3/4" HOSE BARB X 3/4" HOSE BARB X 3/4" MALE THREAD	1

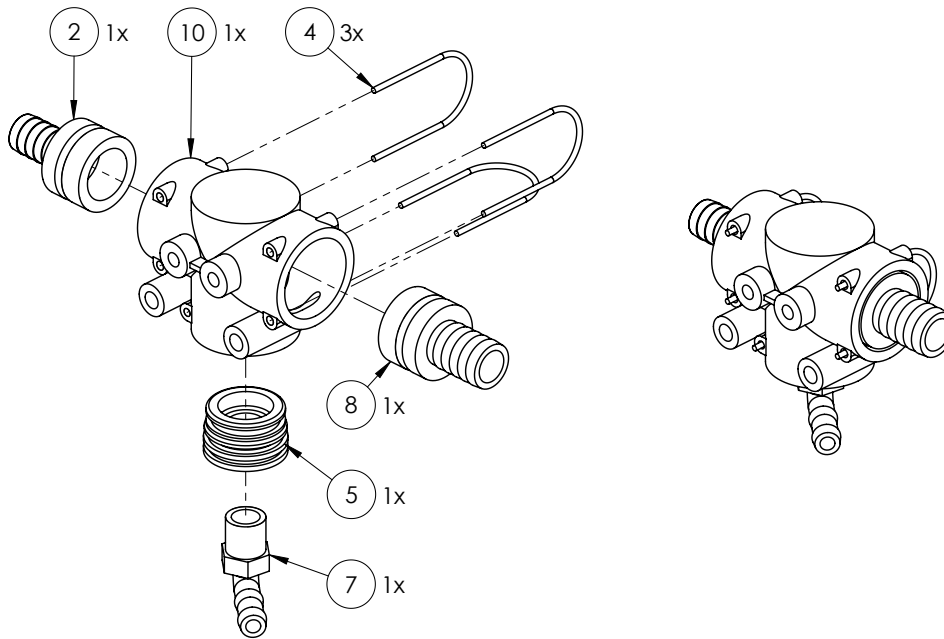
* Sub-assembly on following pages

Valve - Quick Fit 2 Way Assembly



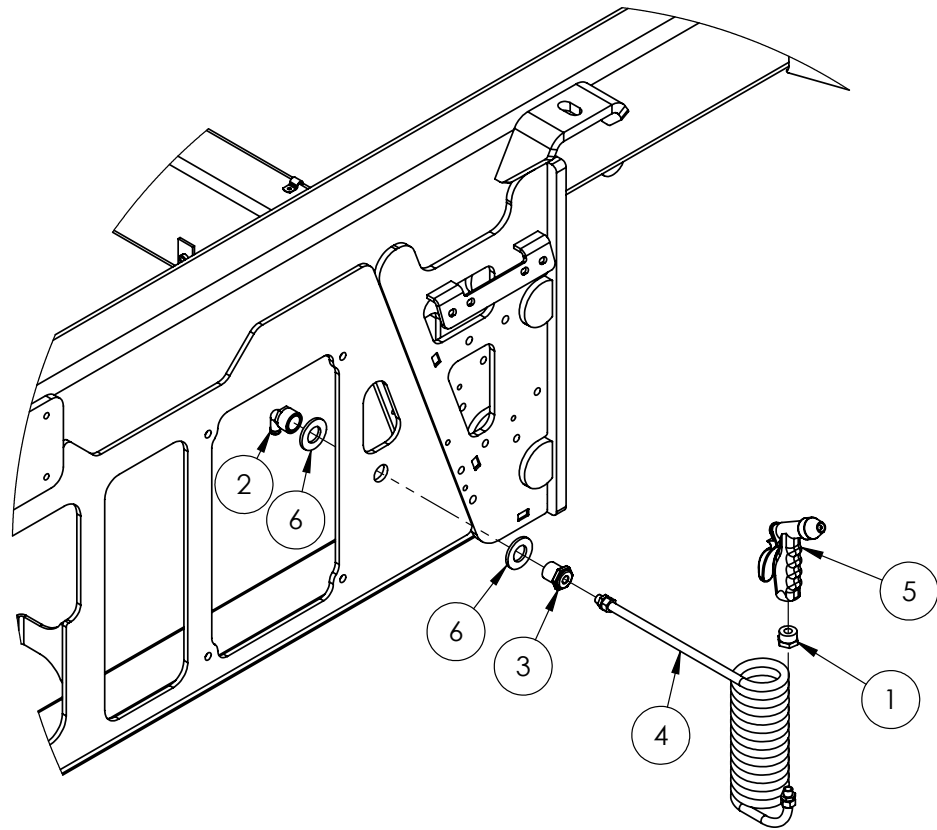
ITEM NO.	PART NUMBER	DESCRIPTION	QTY.
-	GA5065545	VALVE, QUICK FIT FLIP TOP, 2 WAY, AS40 MALE X AS24 FEMALE X AS40 FEMALE, ALTEK	-
1	GA5073750	BODY	1
2	GA5073755	SLIDE CAP	1
3	GA5073760	RED LEVER	1
4	GA5065701	RETAINING PIN, SUIT AS30 PLUMBING FITTINGS	1
5	GA5073765	HANDLE RETAINING PIN	1
6	GA5073770	SPRING GUIDE	1
7	GA5073775	SWITCH ROD	1
8	GA5065835	PLUG IN ADAPTER, AS30 X AS24	1
9	GA5073780	RETAINING PIN, 4 X 26 MM	1
10	GA5065690	RETAINING PIN, SUIT AS40 PLUMBING FITTINGS	1

Rinse Tank Fill Manifold Assembly



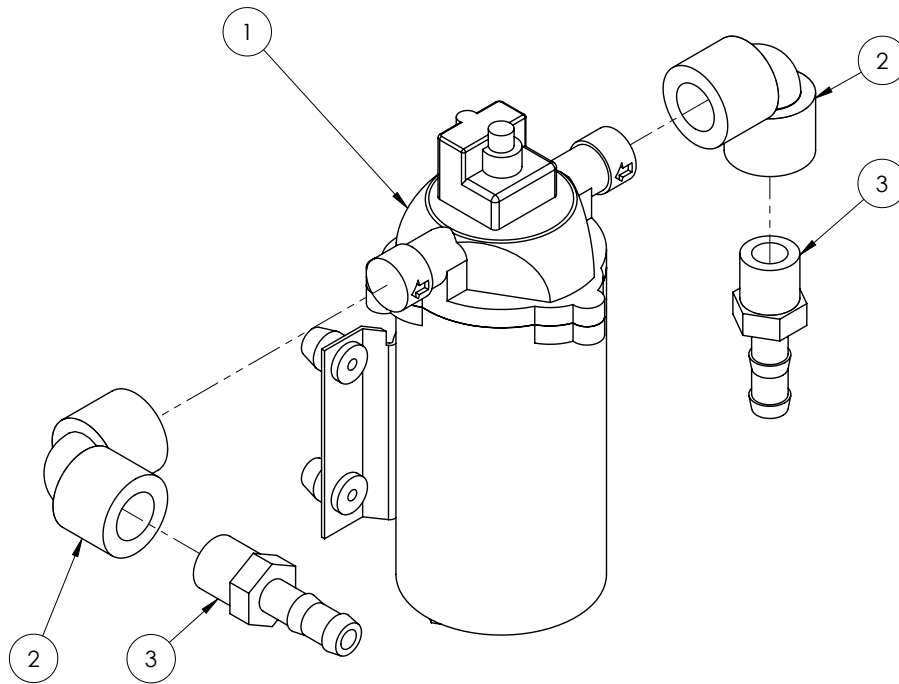
ITEM NO.	PART NUMBER	DESCRIPTION
1	GA5065565	PLUMBING COUPLING, CROSS, AS40 FEMALE INLETS / OUTLETS
2	GA5065575	HOSE BARB, STRAIGHT, AS40 MALE X 20MM HOSE
3	GA5065610	HOSE BARB, ELBOW, 90 DEGREE, AS40 X 20MM HOSE
4	GA5065690	SAFETY PIN AS40
5	GA4582345	DUMMY PLUG AS40 G1/2 FEMALE (45MM DELRON)
6	GA2000082	PLUMBING FITTING, CROSS, AS40, 3X FEMALE 1X MALE, 2X M8 INSERTS, NO O-RINGS
7	GA5077708	HOSE BARB, ELBOW, 90 DEGREE, 1/2" MALE THREAD X 1/2" HOSE
8	GA5065580	PLUG IN HOSE TAIL AS40/25
9	GA5065680	PLUG, AS40 MALE
10	GA5065560	TEE, AS40 FEMALE, M8 INSERTS

Wash Down Gun Assembly



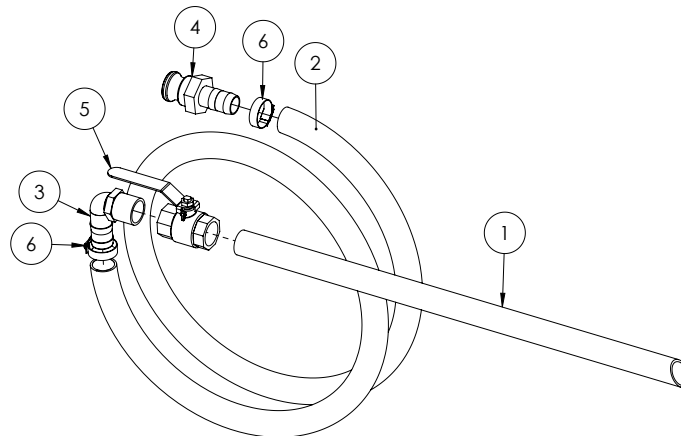
ITEM NO.	PART NUMBER	DESCRIPTION	QTY.
1	GA5049701	BUSH, REDUCING, 3/4" X 1/4", BRASS	1
2	GA5020810	HOSE BARB, ELBOW, 90 DEGREE, 3/4 FEMALE THREAD X 1/2 HOSE	1
3	GA5078008	BUSH, REDUCING, POLY, 3/4" MALE THREAD X 1/4" FEMALE THREAD, BANJO, RB075025	1
4	GA5051455	SUZI COIL 12 X 8 X 5M (1/4" MALE SWIVEL ENDS WITH SPRINGS)	1
5	GA5051390	WASH DOWN GUN, SUIT EF / ADVANCE / EVOLUTION	1
6	GA5017681	WASHER 1 X 2 7G FLAT THIN SS	2

Wash Down Gun Pump Assembly



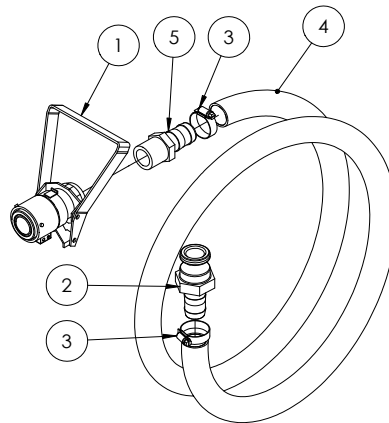
ITEM NO.	PART NUMBER	DESCRIPTION	QTY.
1	GA5023400	PUMP, 12 VOLT , 6.8LT/MIN MAX 100 PSI, MALE PORTS - COMPLETE	1
	GA5071545	PRESSURE SWITCH, SUIT GA5023400	1
	GA5071550	VALVE ASSEMBLY KIT, VITON, SUIT GA5023400	1
	GA5071555	DIAPHRAGM ASSEMBLY KIT, SANTOPRENE, SUIT GA5023400	1
	GA5071560	CHECK VALVE KIT, SUIT GA5023400	1
2	GA5077652	STREET ELBOW, 90 DEGREE, 1/2" FEMALE THREAD	2
3	GA5077702	HOSE BARB, STRAIGHT, 1/2" MALE THREAD X 1/2" HOSE	2

Chemical Probe Hose Lance



ITEM NO.	PART NUMBER	DESCRIPTION	QTY.
-	GA4948250	CHEMICAL SUCTION PROBE, ASSEMBLED	-
1	GA5013603	POLY PIPE 25 (CUT 630MM LONG)	1
2	GA2000220	HOSE, SUCTION, PVC, 25MM, BLACK - CUT 3200 MM LONG	1
3	GA5077723	HOSE BARB, ELBOW, 90 DEGREE, 1" MALE X 1" HOSE, BANJO	1
4	GA5076011	CAM LEVER, 1" MALE COUPLING X 1" HOSE BARB, BANJO	1
5	GA5018319	VALVE, BALL, 25MM FEMALE THREAD INLET / OUTLET, LEVER HANDLE, SS	1
6	GA5001681	HOSE CLAMP, 1" SS (20-32/12W)	2

Enviro Coupling & Hose



ITEM NO.	PART NUMBER	DESCRIPTION	QTY.
-	GA5020600	ENVIRO DRUM / MICROMATIC COUPLING WITH SUCTION HOSE	-
	GA5018803	MICROMATIC DRUM VALVE COUPLING, 3 PIN, VITON SEALS	1
1	GA5018799	SEAL KIT, SUIT MICROMATIC / ENVIRO DRUM COUPLING GA5018803	-
2	GA5076011	CAM LEVER, 1" MALE COUPLING X 1" HOSE BARB, BANJO	1
3	GA5001681	HOSE CLAMP, 1" SS (20-32/12W)	2
4	GA2000220	HOSE, SUCTION, PVC, 25MM, BLACK - CUT 2840MM LONG	1
5	GA5077718	HOSE BARB, STRAIGHT, 1" MALE THREAD X 1" HOSE	1

Chapter 6

DIRECT CHEMICAL INJECTION

Not Fitted

Chapter 7

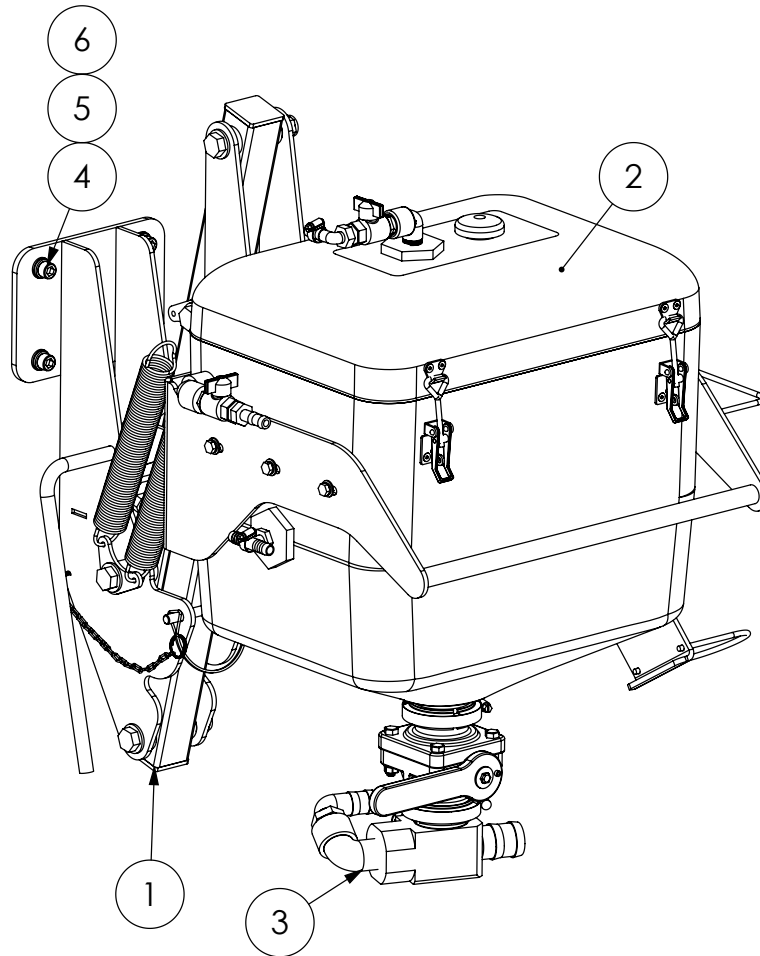
DUAL PRODUCT

Not Fitted

Chapter 8

INDUCTION HOPPER

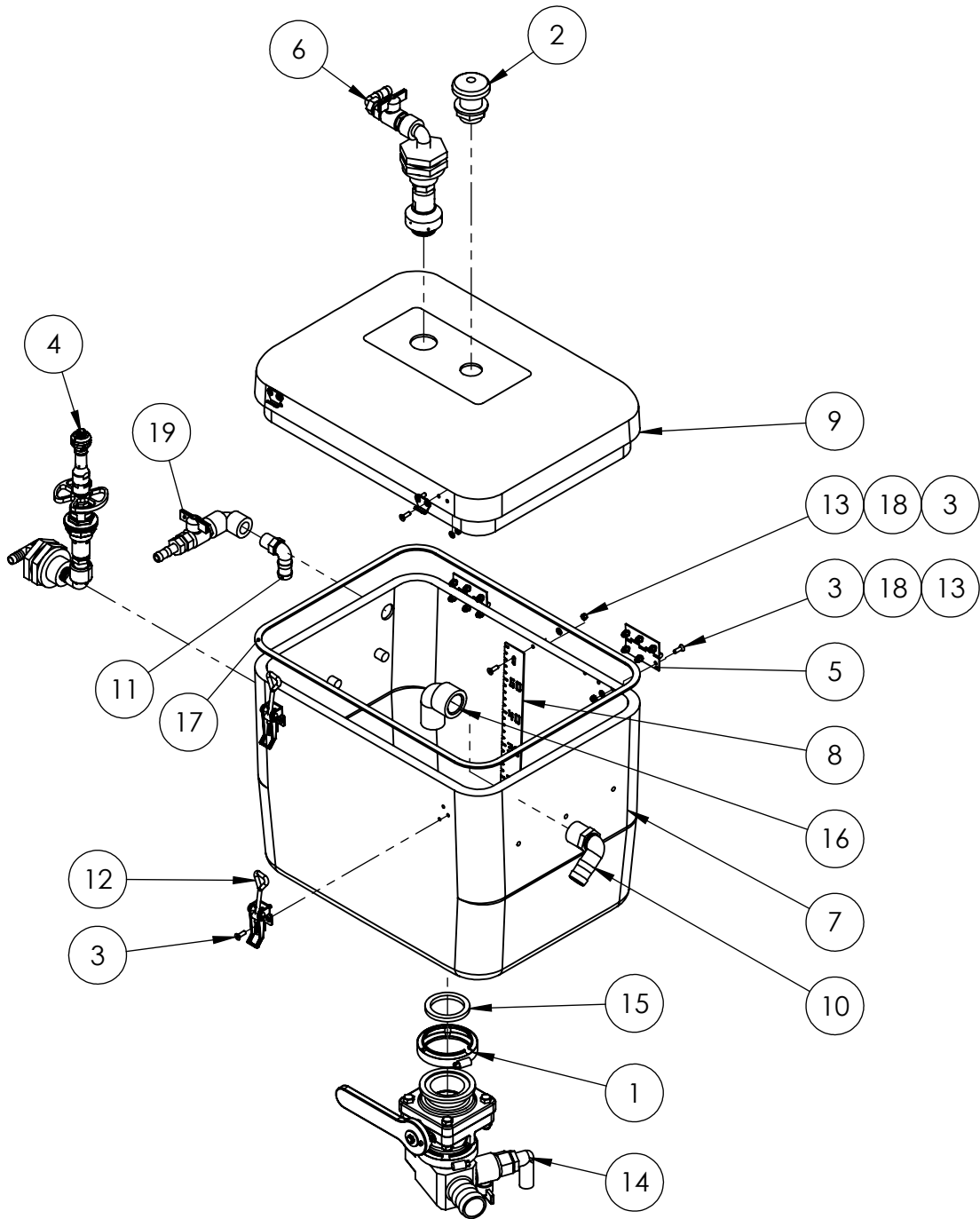
Induction Hopper - 60L



ITEM NO.	PART NUMBER	DESCRIPTION	QTY.
-	GA4524985	PLATE, HOPPER MOUNT ADAPTOR, OFFSET, SELF PROPELLED (OPTIONAL)	-
1	*	INDUCTION HOPPER - FRAME	1
2	*	INDUCTION HOPPER - TANK ASSEMBLY	1
3	*	HOPPER BOTTOM 2" FLANGED	1
4	GA5000577	WASHER 12MM FLAT SS HD	4
5	GA5000575	WASHER 12MM SPRING SS	4
6	GA5000297	SHCS M12 X 25 ZP GR12.9	4

* Sub-assembly on following pages

Induction Hopper - Tank Assembly



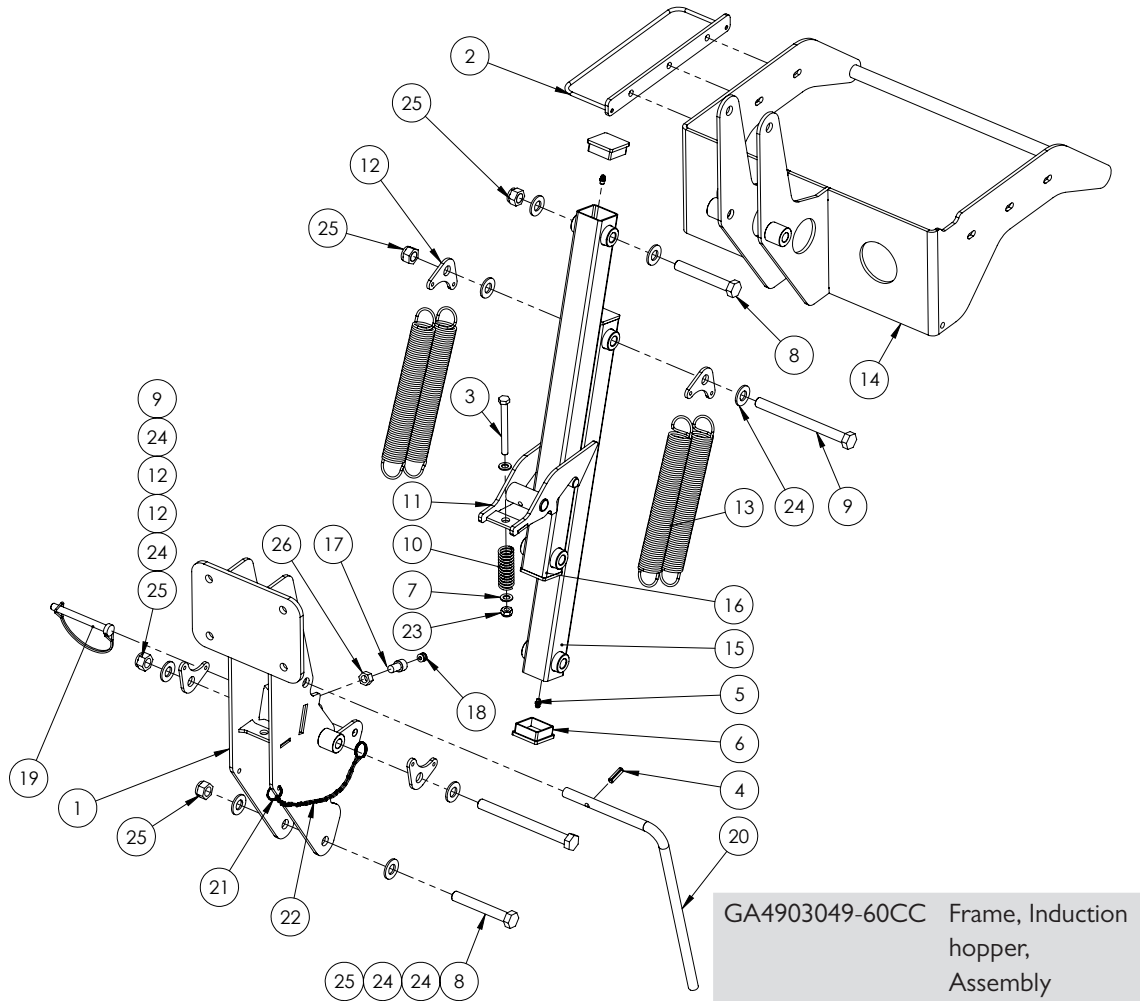
Continued over page

Induction Hopper - Tank Assembly

ITEM NO.	PART NUMBER	DESCRIPTION	QTY.
1	FC220	2" FULL PORT WORM SCREW CLAMP	1
2	GA5077045	BREATHER VALVE, LABYRINTH TYPE, 1" MALE THREAD, ARAG, 504203	1
3	GA5051230	CSCS M5 X 16 SS A2-70	23
4	GA4903113-1	DRUM RINSE HOPPER ASM	1
5	GA5006661	HINGE, BUTT, 70 LONG X 50 WIDE X 1.5, SS	2
6	GA4903113-2	HOPPER RINSE ASM	1
7	GA5071208	TANK, INDUCTION HOPPER, 60L WITH FLANGE TO SUIT BANJO 220 VALVE	1
8	GA4522296	LEVEL INDICATOR, 60L INDUCTION HOPPER	1
9	GA5070045	HOPPER LID - 07 ADVANCE 65L	1
10	GA5077723	HOSE BARB, ELBOW, 90 DEGREE, 1" MALE X 1" HOSE, BANJO, HB100-90	1
11	GA5077704	HOSE BARB, ELBOW, 90 DEGREE, 1/2 MALE THREAD X 3/4 HOSE, BANJO, HB050/075-90	1
12	GA5007071	LATCH, ADJUSTABLE, INDUCTION HOPPER LID	2
13	GA5003975	NUT M5 NYLOC SS	23
14	GA4906645	PRE-ASSEMBLED 60L HOPPER BOTTOM 2" FLANGED	1
15	GA5076615	SEAL, EPDM, SUIT 2" FLANGE FITTING, BANJO, 200G	1
16	GA5078137	STREET ELBOW, 90 DEGREE, 1 MALE X 1 FEMALE, BANJO, SL100-90	1
17	GA5016473	TAPE PM FOAM 6.4MM X 18MM L/DENSITY [C]. SOLD PER METER.(15M/ROLL)	1.5
18	GA5003983	WASHER 5MM FLAT SS	23
19	GA4903113-3	WATER INLET HOPPER ASM	1

* Sub-assembly on following pages

Induction Hopper - Frame Assembly



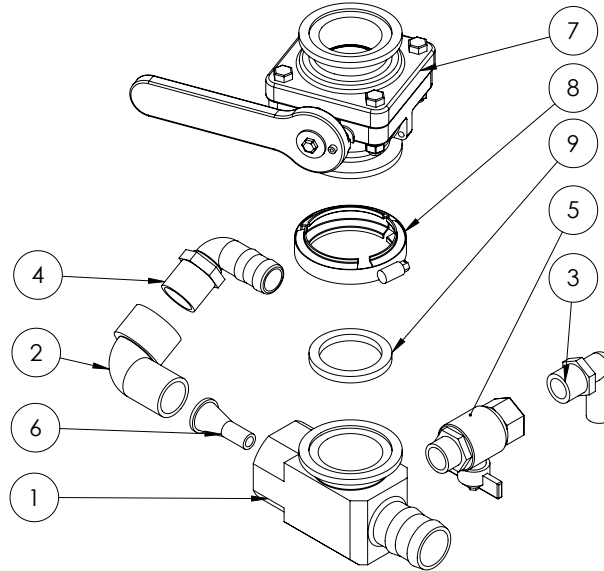
ITEM NO.	PART NUMBER	DESCRIPTION	QTY.
1	GA4657560	CCSP HOPPER MOUNTING ASSEMBLY	1
2	GA4659155	HOSE GUIDE BRACKET	1
3	GA5006091	BOLT M10 X 100 GR8.8 ZP	1
4	GA5075130	ROLL PIN M8 X 30MM COATED	1
5	GA5012203	GREASE NIPPLE, SHORT, 1/4" UNF	4
6	GA5003783	END CAP, PLASTIC, BLACK, INSERT, RHS. 50 X 50, 0.8 - 2.5MM WALL	4
7	GA5000117	WASHER 10MM FLAT SS HD	2
8	GA5000855	BOLT M16 X 110 GR8.8 ZP	2
9	GA5000879	BOLT M16 X 180 GR8.8 ZP	2
10	GA5007329	SPRING COMPRESSION, 76.2MM X 25.4 X 3.15 MM, GOLD	1
11	GA4653490	INDUCTION HOPPER LATCH	1
12	GA4522294	MOUNTING PLATE, DOUBLE SPRING	4
13	GA5007073	SPRING, TENSION, 38.2 OD X 284.3 LONG X 3.55MM	4
14	GA4656855	INDUCTION HOPPER TANK SUPPORT 60L	1
15	GA4657570	CCSP LOWER HOPPER ARM	1
16	GA4657565	CCSP UPPER HOPPER ARM	1

Continues Over Page

Induction Hopper - Frame Assembly

ITEM NO.	PART NUMBER	DESCRIPTION	QTY.
17	GA5050330	SHCS M12 X 20 GR12.9 ZP	1
18	GA5052905	END CAP, PLASTIC, BLACK, INSERT, ROUND. 10MM, 0.8 - 1.5MM WALL	1
19	GA5048380	PIN, 11MM OD SHAFT, SPRING STEEL WIRE LOOP LOCK, YELLOW ZINC	1
20	GA4699435	HANDLE, INDUCTION HOPPER LATCH ARM	1
21	GA5002077	KEY RING, 25MM, SS	2
22	GA5001491	CHAIN 2 X 20 MM SS 316 - CUT TO 600 MM	1
23	GA5000141	NUT M10 NYLOC ZP	1
24	GA5001043	WASHER 16MM FLAT SS HD	8
25	GA5001029	M16 NYLOC NUT	4
26	GA5000559	NUT M12 HEX ZP	1

Hopper Bottom - 2" Flanged



ITEM NO.	PART NUMBER	DESCRIPTION	QTY.
1	GA4552240	HOPPER BOTTOM VENTURI HOUSING WITH 2" FLANGE MY14	1
2	GA5078137	STREET ELBOW, 90 DEGREE, 1" MALE X 1" FEMALE, BANJO	1
3	GA5077717	HOSE BARB, ELBOW, 90 DEGREE, 3/4" MALE THREAD X 3/4" HOSE, BANJO	1
4	GA5077723	HOSE BARB, ELBOW, 90 DEGREE, 1" MALE X 1" HOSE, BANJO	1
5	GA5018315	VALVE, BALL, 20MM MALE & FEMALE THREAD, BLACK BUTTERFLY HANDLE	1
6	L057A	VENTURI, 9MM OUTLET, SUIT INDUCTION HOPPER	1
7	GA5077908	BALL VALVE, 2" FULL PORT , 4 BOLT FLANGED, SHORT, BANJO	1
8	FC220	2" FULL PORT WORM SCREW CLAMP	1
9	GA5076615	SEAL, EPDM, SUIT 2" FLANGE FITTING, BANJO	1

Chapter 9

FOAM MARKER TANK

Not Fitted

Chapter 10

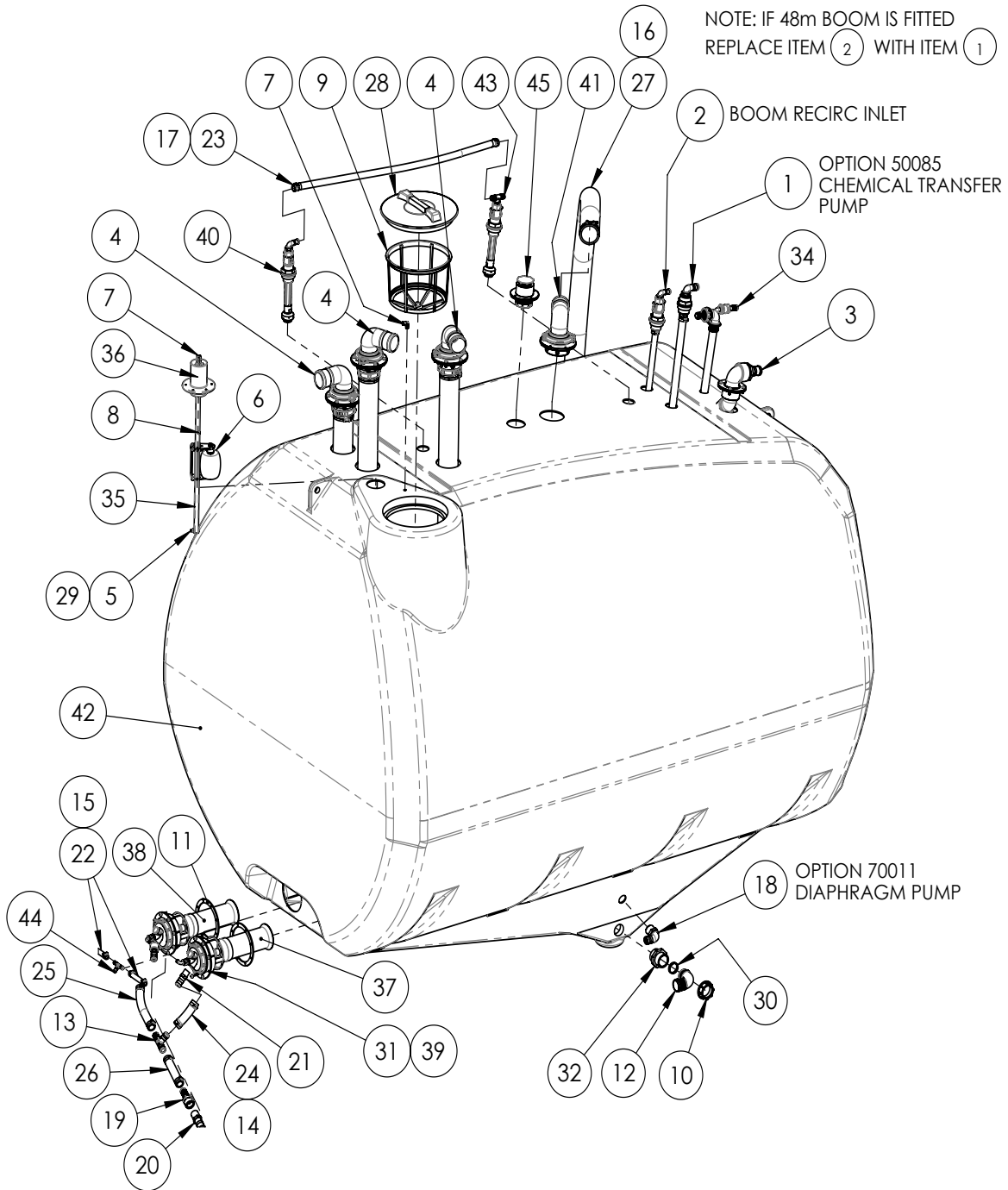
TRANSCAL

Not Fitted

Chapter II

MAIN TANK

Tank Assembly - 8000L



* Sub-assembly on following pages

Continues Over Page

Tank Assembly - 8000L

ITEM NO.	PART NUMBER	DESCRIPTION	QTY.
1	*	ASSEMBLY DRAWING ONLY, TANK, INLET, 1", C/W 1700MM HOSE	1
2	*	ASSEMBLY DRAWING ONLY, TANK, INLET, 3/4", C/W 1700MM HOSE	1
3	*	ASSEMBLY DRAWING ONLY, 2" INLET, HOPPER, 45DEG, C/W 1700MM HOSE	1
4	*	ASSEMBLY DRAWING ONLY, 3" FILL ASSY, G8, C/W 1700MM HOSE, STD & OPTIONS 50058 & 50059	1
5	GA5051370	BHCS M8 X 35 SS A2-70	1
6	GA4907995	DRY SIGHT TUBE FLOAT ASSEMBLY	1
7	GA5001101	END CAP, PLASTIC, BLACK, INSERT, RHS. 19 X 19	1
8	GA5008643	FERRULE, HAND SWAGE, NICKLE PLATED, SUITS GA5017873 CABLE	1
9	GA5076714	FILTER, BASKET TYPE, DIAMETER 305 X 245 DEEP, SUIT MAIN SPRAY TANK	1
10	GA5076605	FLY NUT, 2", ARAG, 2002070	1
11	GA5078839	GASKET, EPDM, SUPERMIX AGITATOR MOUNT, MY22	2
12	GA5076262	HOSE BARB, ELBOW, 90 DEGREE, 2" FLY NUT END X 52 mm HOSE, ARAG	1
13	GA5077755	HOSE BARB, TEE, 1 HOSE, BANJO, HBT100	1
14	GA5001681	HOSE CLAMP, 1" SS (20-32/12W)	6
15	GA5000469	HOSE CLAMP, 1/2" SS 12-20/9W3	4
16	GA5010195	HOSE CLAMP, 3", T BOLT, 3.25" TO 3.56", LIGHT DUTY, DONALDSON	1
17	GA5000999	HOSE CLAMP, 3/4" SS (16-27/12W)	2
18	GA5077730	HOSE BARB, ELBOW, 90 DEGREE, 1 1/4" MALE THREAD X 1 1/4" HOSE, BANJO	1
19	GA5077747	HOSE BARB, STRAIGHT, 1 FEMALE THREAD X 1 HOSE, BANJO	1
20	GA5077722	HOSE BARB, STRAIGHT, 1" MALE THREAD X 1 1/4" HOSE, BANJO	1
21	GA5077715	HOSE BARB, STRAIGHT, 3/4 MALE THREAD X 1 HOSE BARB, BANJO, HB075-100	1
22	GA2000211	HOSE, PRESSURE, 12mm, BLACK, 250PSI, HOS13P, SOLD PER METER	0.24
23	GA2000216	HOSE, PRESSURE, 20mm, BLACK 250PSI, HOS20P, SOLD PER METER	1.12
24	GA2000219	HOSE, PRESSURE, 25mm, BLACK 250PSI, HOS25P, SOLD PER METER	0.13
25	GA2000219	HOSE, PRESSURE, 25mm, BLACK 250PSI, HOS25P, SOLD PER METER	0.24
26	GA2000219	HOSE, PRESSURE, 25mm, BLACK 250PSI, HOS25P, SOLD PER METER	0.17
27	GA2000231	HOSE, SUCTION, PVC, 75mm, BLACK, HOS75PVC, SOLD PER METER	4

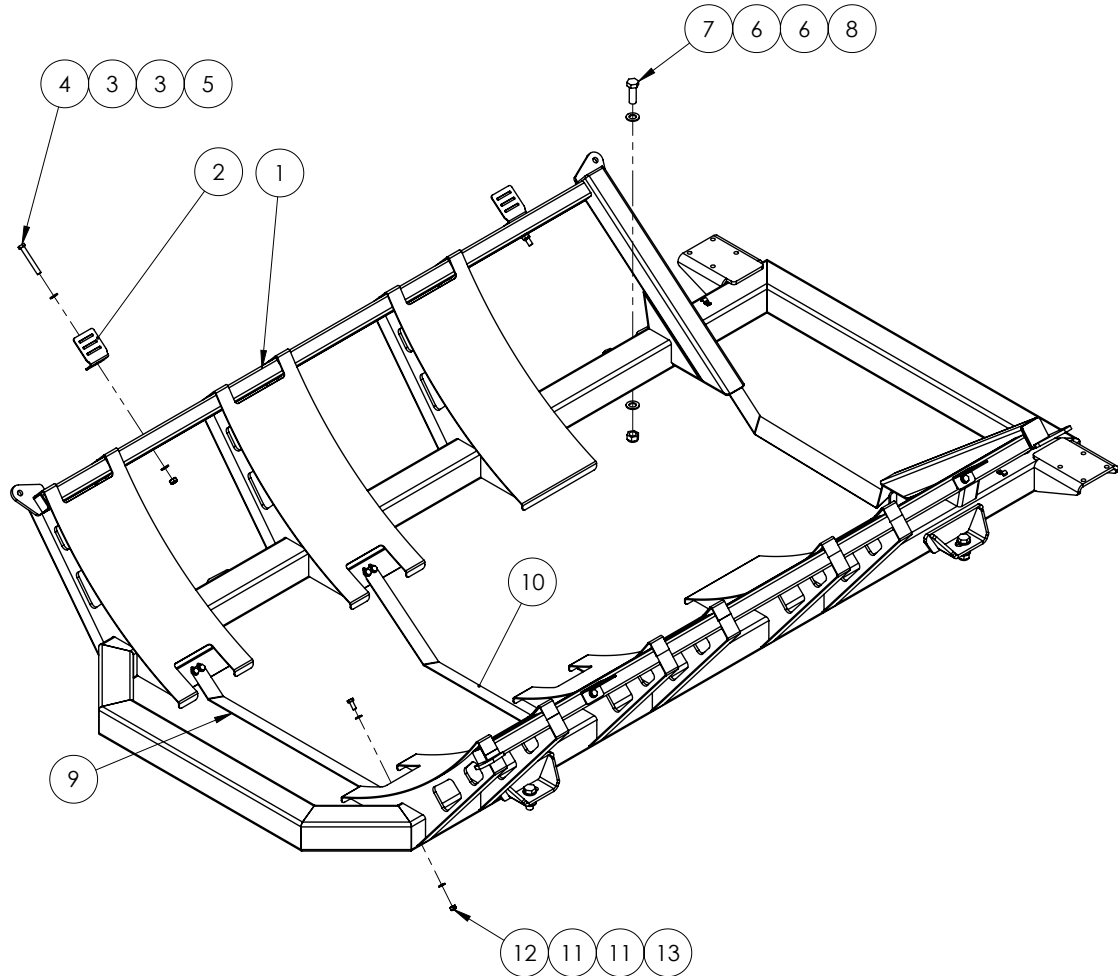
* Sub-assembly on following pages

Continues Over Page

Tank Assembly - 8000L

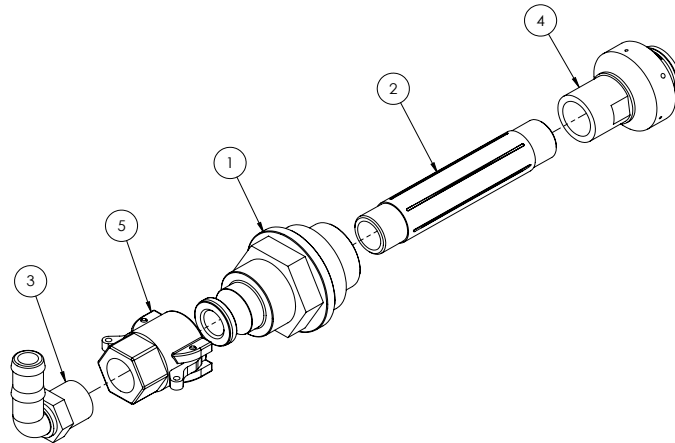
ITEM NO.	PART NUMBER	DESCRIPTION	QTY.
28	GA5076880	LID, BLACK, WITHOUT BREATHER, MEDIUM, DIAMETER 355, ARAG	1
29	GA5052590	NUT M8 NYLOC SS	1
30	GA5048385	O RING, 42.5 X 2.62, BSI 31, SUIT 2" HOSE BARB	2
31	GA4412085	PLATE, SUPER MIX AGITATOR MOUNT, FLANGE BRACKET, ALL, MY22	2
32	GA5078410	PLUMBING FITTING, NIPPLE, 2", ARAG, 2502070	1
33	GA5052690	PNEUMATIC FITTING, ELBOW, 90 DEGREE, 1/4 BSP MALE X 8mm PUSH TYPE, METAL	1
34	GA4903086	PRE-ASSEMBLED VENTURI FILLER	1
35	GA5046955	RHS, 19 X 19 X 1.6, SS, CUT 2150mm	1
36	GA4902148	SIGHT TUBE LOCATING CAP ASSEMBLY	1
37	GA4908705	SUPER MIX AGITATOR ASSEMBLY, NO BYPASS FITTING.	1
38	GA4905585	SUPER MIX AGITATOR, PRE ASSEMBLED, ANGLED BARB	1
39	GA0500139	TANK AGITATOR SCREW, SELF TAPPING, 14G X 30mm, SS 304	16
40	GA4901285-1	TANK, FLUSHING NOZZLE (ELBOW) CAM ADAPTOR	1
41	GA4907845	TANK, OVERFLOW, ASSEMBLY, 3"	1
42	GA5071965	TANK, 8000L, PLASTIC, GREEN, SUPER CRUISER, G8	1
43	GA4901285-2	TANK, RINSING NOZZLE, ASSEMBLY WITH TEE CAM ADAPTOR	1
44	GA5077751	TEE, HOSE BARB, 1/2, BANJO, HBT050-050	1
45	GA4902820	VALVE, BREATHER, ASSEMBLY	1

Tank Cradle - 8000L



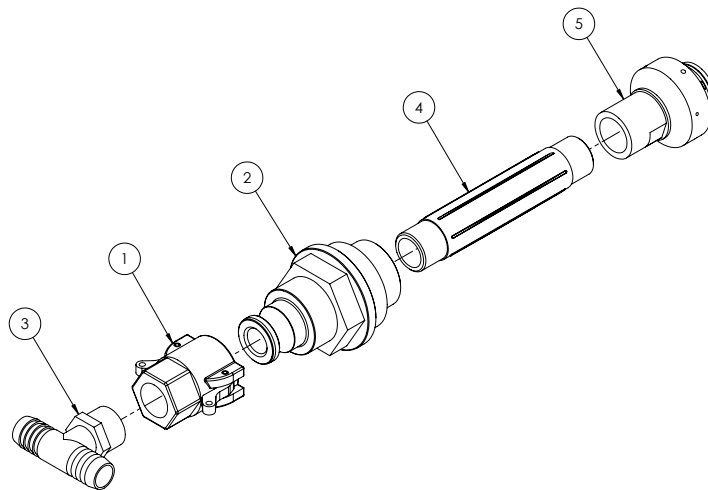
ITEM NO.	PART NUMBER	DESCRIPTION	QTY.
-	GA5003859	STRAP, TANK, 50MM, GOLDACRES BRANDED, (PRICE IS PER METER)	SEE BELOW.
		FRONT TANK STRAP 50MM	4600MM
		REAR TANK STRAP 50MM	4470MM
1	GA4602335	TANK CRADLE, 8000L, SUPER CRUISER, G8, 2019	1
2	F70127A	50MM TANK STRAP BRACKET	4
3	GA5000577	WASHER 12MM FLAT SS HD	8
4	GA5011263	BOLT M12 X 90 GR8.8 ZP	4
5	GA5012461	NUT M12 NYLOC ZP	4
6	GA5001741	WASHER 20MM FLAT SS HD	8
7	GA5011333	BOLT M20 X 60 GR8.8 ZP	4
8	GA5048125	NUT M20 NYLOC COARSE ZP	3
11	GA5000117	WASHER 10MM FLAT SS HD	16
12	GA5051445	NUT M10 NYLOC SS	8
13	GA5006161	BOLT M10 X 25 GR8.8 ZP	8

Tank Rinsing Nozzle - Elbow Assembly



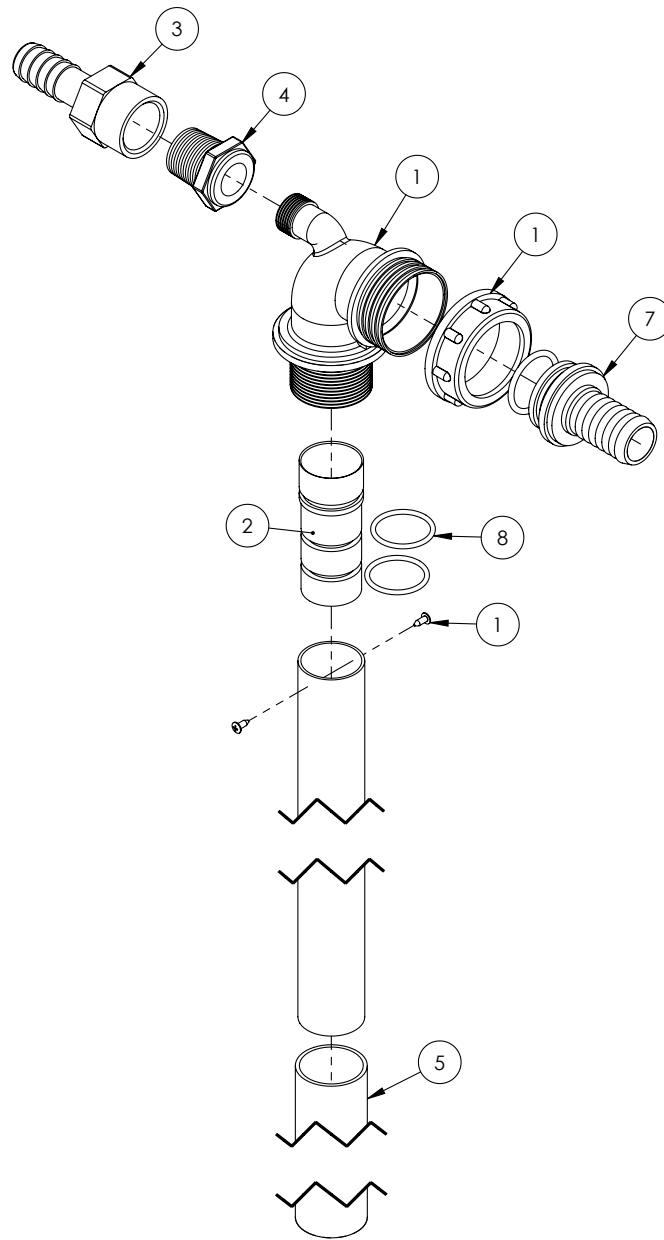
ITEM NO.	PART NUMBER	DESCRIPTION	QTY.
-	GA4901285-1	TANK RINSING NOZZLE, ELBOW, COMPLETE	-
1	GA4572015	TANK RINSE ADAPTOR WITH CAM LOCK	1
2	GA5077912	NIPPLE, 6" LONG, 3/4" MALE THREAD, BANJO	1
3	GA5077717	HOSE BARB, ELBOW, 90 DEGREE, 3/4" MALE THREAD X 3/4" HOSE, BANJO	1
4	GA5077336	NOZZLE, TANK RINSING, 3/4" BSPT FEMALE INLET, TEEJET	1
5	GA5077132	CAM LEVER, 3/4" FEMALE COUPLING X 3/4" HOSE BARB, BANJO	1

Tank Rinsing Nozzle - Tee Assembly



ITEM NO.	PART NUMBER	DESCRIPTION	QTY.
-	GA4901285-2	TANK RINSING NOZZLE, TEE, COMPLETE	-
1	GA5077132	CAM LEVER, 3/4" FEMALE COUPLING X 3/4" HOSE BARB, BANJO	1
2	GA4572015	TANK RINSE ADAPTOR WITH CAM LOCK	1
3	GA3500431	HOSE BARB, TEE, 3/4" HOSE BARB X 3/4" HOSE BARB X 3/4" MALE THREAD	1
4	GA5077912	NIPPLE, 6" LONG, 3/4" MALE THREAD, BANJO	1
5	GA5077336	NOZZLE, TANK RINSING, 3/4" BSPT FEMALE INLET, TEEJET	1

Tank Fill - Venturi Assembly

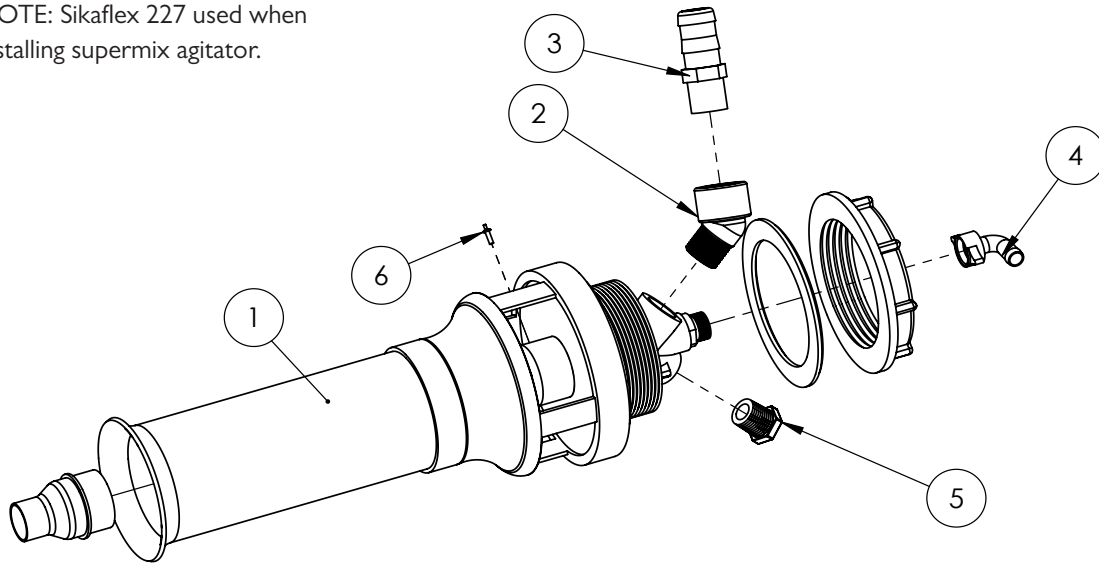


ITEM NO.	PART NUMBER	DESCRIPTION	QTY.
-	GA4903086	VENTURI FILLER - COMPLETE ASSEMBLY	-
-	GA5007235	HOSE CLAMP, COBRA TYPE, 1 1/2"	1
1	GA5077035	VENTURI, TOP OF TANK, 32MM OD OUTLET	1
2	MACH0022	JET FOR ARAG VENTURI	1
3	GA5077743	HOSE BARB FEMALE 3/4"	1
4	GA5078010	POLY PIPE REDUCER BUSH 3/4" X 1/2"	1
5	GA5050205	HOSE LAY FLAT BLUE, 32MM - CUT 405MM LONG	1
6	GA5077679	O-RING 30 X 3MM	1
7	GA5076036	HOSE BARB, STRAIGHT, 1 1/2" FLY NUT END X 1" HOSE BARB	1
8	GA5049125	O-RING, 23.4 X 3.53MM, BS213	2

NOTE: Not all parts supplied with kit 500232 are used in this assembly.

Supermix Agitator - Angled Barb

NOTE: Sikaflex 227 used when installing supermix agitator.

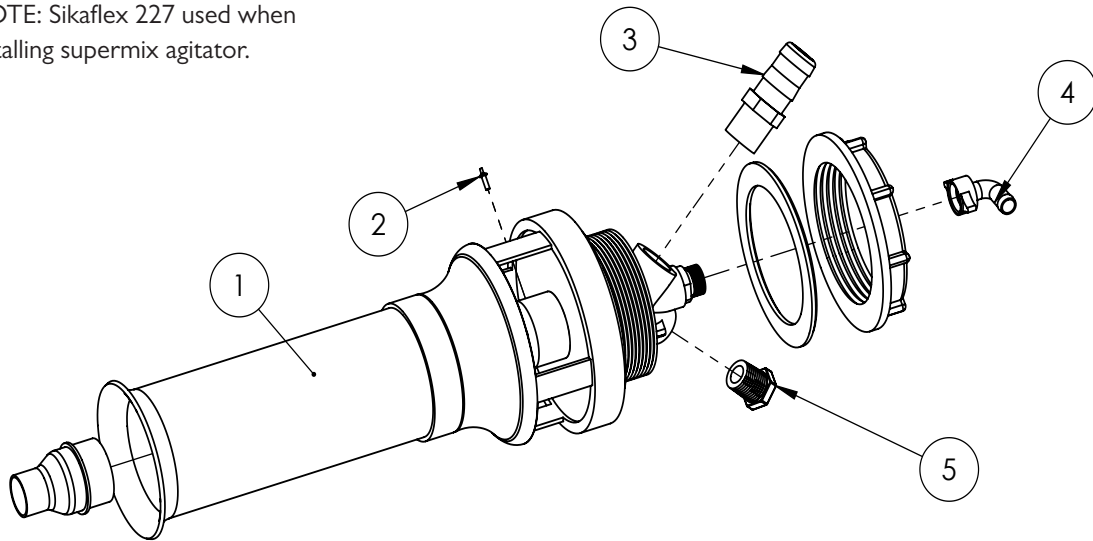


GA4905585 Super mix agitator, Pre assembled, Angled barb

ITEM NO.	PART NUMBER	DESCRIPTION	QTY.
1	GA5077038	AGITATOR, SUPER MIX, 3MM JET, ARAG	1
2	GA5078134	STREET ELBOW, 45 DEGREE, 3/4" MALE THREAD X 3/4" FEMALE THREAD	1
3	GA5077715	HOSE BARB, STRAIGHT, 3/4" MALE THREAD X 1" HOSE BARB, BANJO	1
4	GA5075657	HOSE BARB, ELBOW, 90 DEGREE, 13MM HOSE, INCLUDING 1/2" FLY NUT AND SEAL, BRASS, ARAG	1
5	GA5077943	PLUG, 1/2" MALE THREAD, BANJO	1
6	GA5078134	POP RIVET 1/8" X 1/2" SS	1

Supermix Agitator - Straight Barb

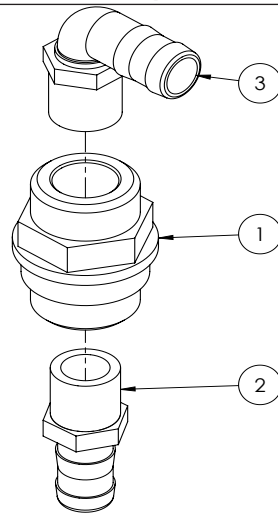
NOTE: Sikaflex 227 used when installing supermix agitator.



GA4903096 Super mix agitator, Pre assembled, Straight barb

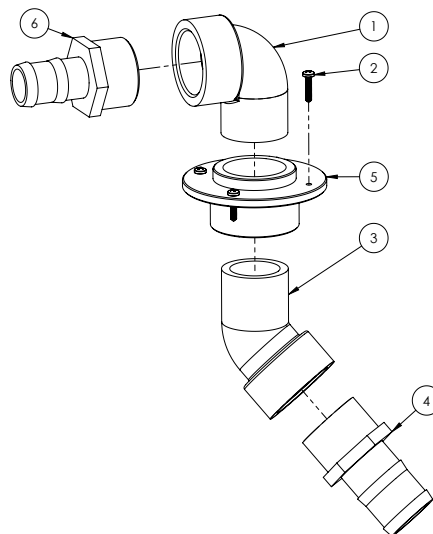
ITEM NO.	PART NUMBER	DESCRIPTION	QTY.
1	GA5077038	AGITATOR, SUPER MIX, 3MM JET, ARAG	1
2	GA5078134	POP RIVET 1/8" X 1/2" SS	1
3	GA5077715	HOSE BARB, STRAIGHT, 3/4" MALE THREAD X 1" HOSE BARB, BANJO	1
4	GA5075657	HOSE BARB, ELBOW, 90 DEGREE, 13MM HOSE, INCLUDING 1/2" FLY NUT AND SEAL, BRASS, ARAG	1
5	GA5077943	PLUG, 1/2" MALE THREAD, BANJO	1

Tank Fill - 1" Chemical Assembly



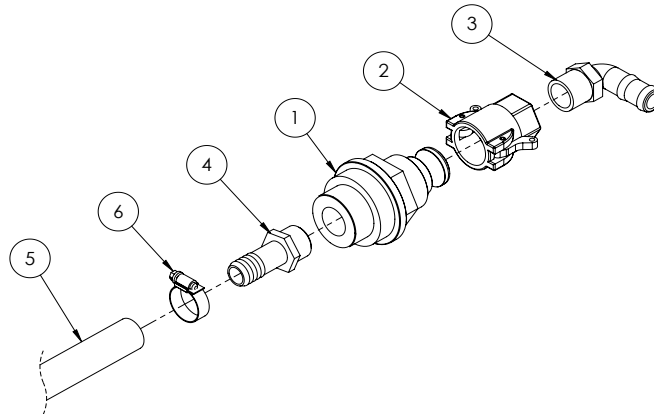
ITEM NO.	PART NUMBER	DESCRIPTION	QTY.
1	GA4572395	MAIN TANK LINE RETURN FITTING 1"	1
2	GA5077718	HOSE BARB, STRAIGHT, 1" MALE THREAD X 1" HOSE	1
3	GA5077723	HOSE BARB, ELBOW, 90 DEGREE, 1" MALE X 1" HOSE	1

Tank Fill - 2" Hopper Assembly



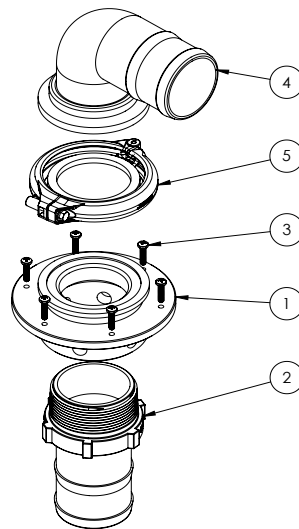
ITEM NO.	PART NUMBER	DESCRIPTION	QTY.
1	GA5078142	STREET ELBOW, 90 DEGREE, 2" MALE THREAD X 2" FEMALE THREAD, BANJO	1
2	GA5000527	SCREW PAN HEAD 12G X 25MM SS	1
3	GA5078141	STREET ELBOW, 45 DEGREE, 2 MALE THREAD X 2 FEMALE THREAD, BANJO, SL200-45	4
4	GA5077737	HOSE BARB, STRAIGHT, 2" MALE THREAD X 2" HOSE, BANJO, HB200	1
5	GA4583370	THREADED TANK FLANGE 2"	1
6	GA5077739	HOSE BARB, STRAIGHT, 2 MALE THREAD X 1 1/2 HOSE, BANJO, HB200-150	1

Tank Fill - Boom Recirculation Assembly



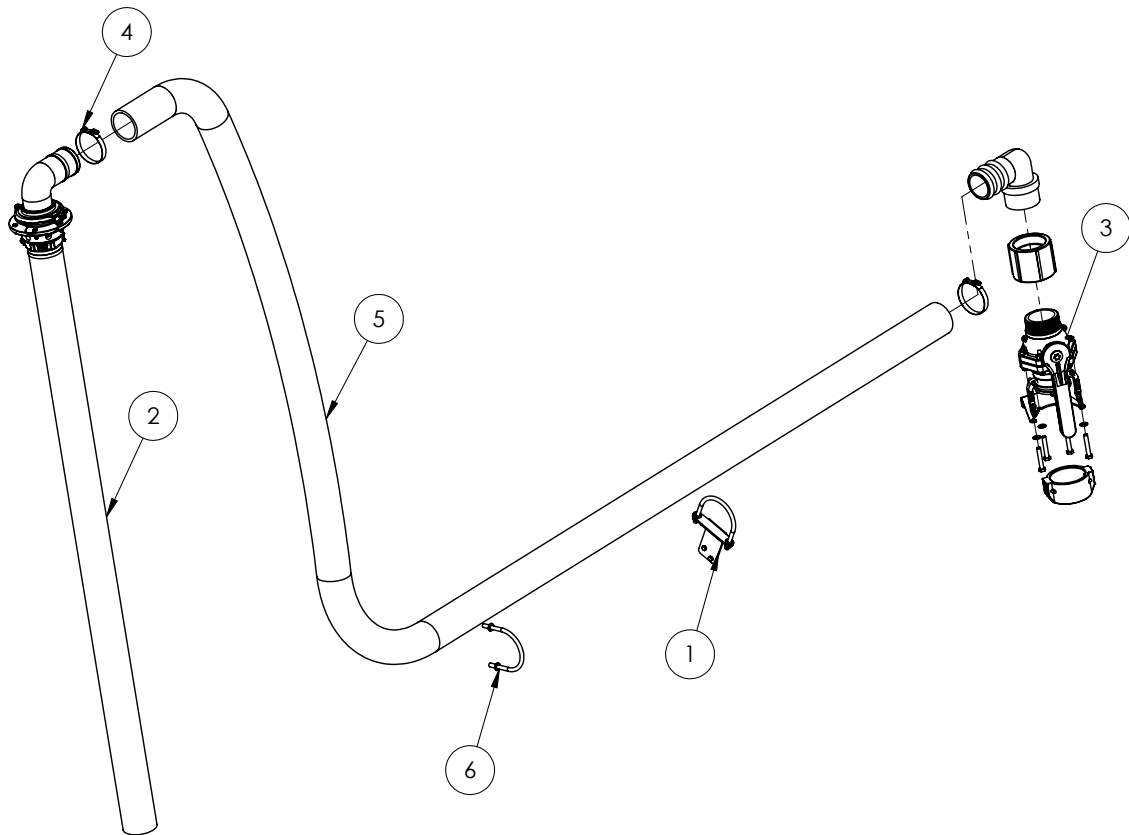
ITEM NO.	PART NUMBER	DESCRIPTION	QTY.
1	GA4572015	TANK RINSE ADAPTOR WITH CAM LOCK	1
2	GA5077132	CAM LEVER, 3/4" FEMALE COUPLING X 3/4" HOSE BARB, BANJO	1
3	GA5077717	HOSE BARB, ELBOW, 90 DEGREE, 3/4" MALE THREAD X 3/4" HOSE, BANJO	1
4	GA5077709	HOSE BARB, STRAIGHT, 3/4" MALE THREAD X 3/4" HOSE, BANJO	1
5	GA2000216	HOSE, PRESSURE, 20MM, BLACK 250PSI (CUT 1300 MM)	1
6	GA5000999	HOSE CLAMP, 3/4", SS (16-27/12W)	1

Tank Fill - 3" Front & Side Fill Assembly



ITEM NO.	PART NUMBER	DESCRIPTION	QTY.
1	GA4550590	TANK TOP INLET FITTING, 3" FLANGE AND 3" NPT FEMALE THREAD	1
2	GA5077741	HOSE BARB, STRAIGHT, 3" MALE THREAD X 3" HOSE	1
3	GA5000527	SCREW, PAN HEAD, 12G X 25MM, SS	6
4	GA5077875	HOSE BARB, ELBOW, 90 DEGREE, 3" FLANGE X 3" HOSE	1
5	GA2000116	FLANGE CLAMP, AND GASKET, 3"	1

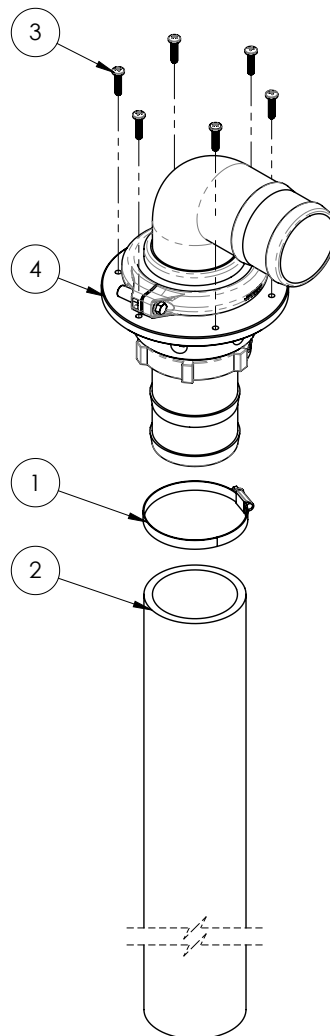
3" Front Fill, Option (50058)



ITEM NO.	PART NUMBER	DESCRIPTION	QTY.
1	*	ASSEMBLY DRAWING ONLY, FRONT FILL HOSE BRACKET, LARGE FRAME SP, MY23	1
2	*	ASSEMBLY DRAWING ONLY, 3" FILL ASSY, G8, C/W 1700MM HOSE, STD & OPTIONS 50058 & 50059	1
3	* GA4913505	FILL POINT ASSEMBLY, 3", REMOTE FRONT MOUNT, CROP CRUISER	1
4	GA5010195	HOSE CLAMP, 3", T BOLT, 3.25" TO 3.56", LIGHT DUTY, DONALDSON	2
5	GA2000231	HOSE, SUCTION, PVC, 75MM, BLACK, HOS75PVC, SOLD PER METER	4.8
6	GA5070905	U BOLT, ROUND TOP, M10 X 118 X 115MM, WITH STOPPER WASHERS, Z/P	1

* Sub-assembly on following pages

3" Front Fill, Tank Inlet Assembly

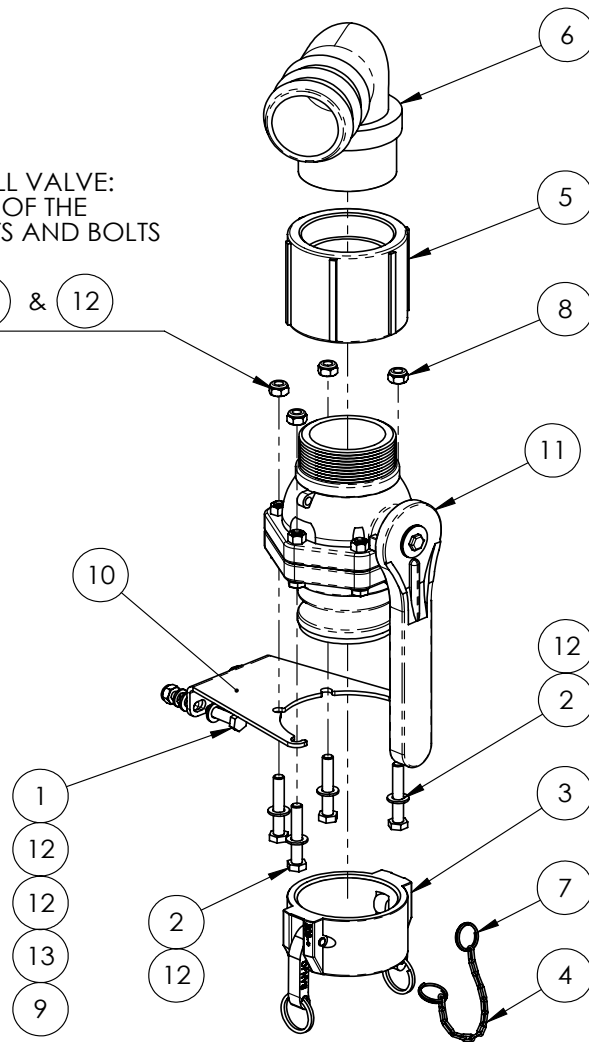


ITEM NO.	PART NUMBER	DESCRIPTION	QTY.
1	GA5003835	HOSE CLAMP 3" SS (70-90/12W3)	1
2	GA2000231	HOSE, SUCTION, PVC, 75MM, BLACK, HOS75PVC, SOLD PER METER	1.7
3	GA5000527	SCREW PAN HEAD 12G X 25MM SS	6
4	GA4907840	TANK INLET, ASSEMBLY, 3"	1

3" Front Fill, Fill Point Assembly

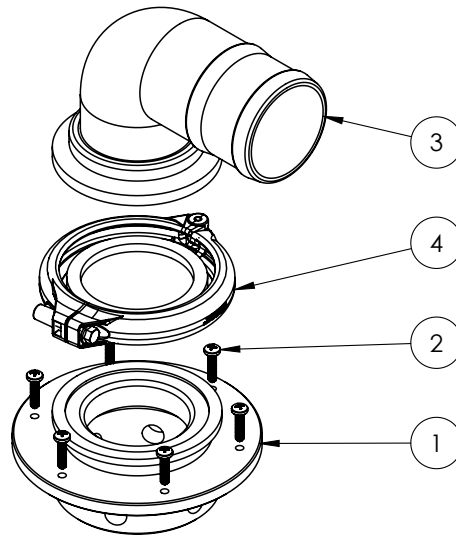
TO MOUNT BALL VALVE:
REMOVE FOUR OF THE
STANDARD NUTS AND BOLTS
REPLACE WITH:

ITEMS (2) (8) & (12)



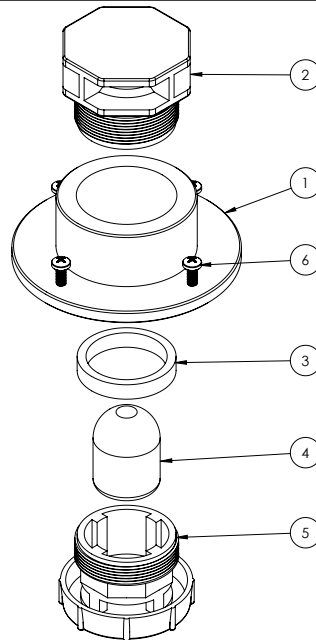
ITEM NO.	PART NUMBER	DESCRIPTION	QTY.
1	GA5006111	BOLT M10 X 35 GR8.8 ZP	2
2	GA5011175	BOLT M10 X 60 GR8.8 ZP	4
3	GA5076719	CAM LEVER, FEMALE CAP, 3", BANJO, 300CAP	1
4	GA5001491	CHAIN 2 X 20 MM SS 316, 146102	0.15
5	GA5077642	COUPLING, SOCKET, 3" FEMALE THREAD, BANJO, CPLG300	1
6	GA5077742	HOSE BARB, ELBOW, 90 DEGREE, 3 MALE THREAD X 3 HOSE, BANJO, HB300-90	1
7	GA5002077	KEY RING, 25MM, SS	2
8	GA5051445	NUT M10 NYLOC SS	4
9	GA5000141	NUT M10 NYLOC ZP	2
10	GA4509400	PLATE, BALL VALVE MOUNT 3", BANJO	1
11	GA5078204	VALVE, BALL, 3", MALE NPT, MALE CAM LOCK, STUBBLY, LONG HANDLE, BANJO, VSFMT300	1
12	GA5000117	WASHER M10 FLAT SS HD	8
13	GA5000137	WASHER 10MM SPRING SS	2

Outlet - Tank Overflow 3"



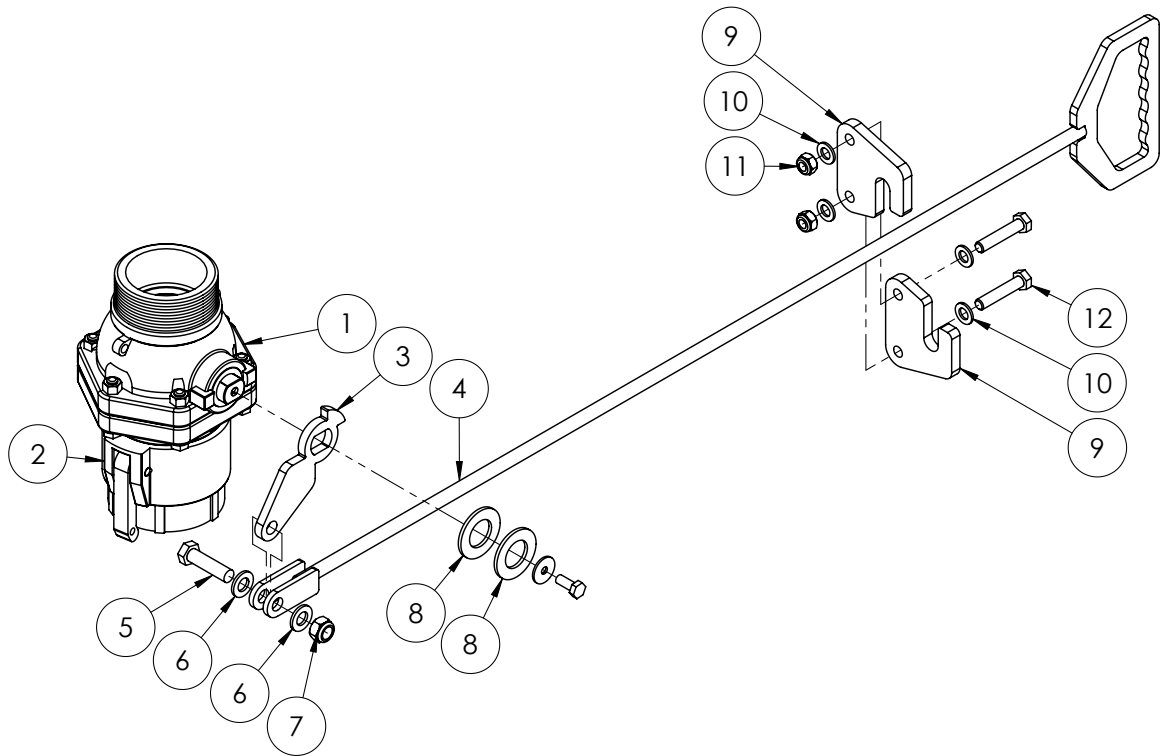
ITEM NO.	PART NUMBER	DESCRIPTION	QTY.
1	GA4550590	TANK TOP INLET FITTING, 3" FLANGE AND 3" NPT FEMALE THREAD	1
2	GA5000527	SCREW, PAN HEAD, 12G X 25MM, SS	6
3	GA5077875	HOSE BARB, ELBOW, 90 DEGREE, 3" FLANGE X 3" HOSE	1
4	GA2000116	FLANGE CLAMP, AND GASKET, 3"	1

Breather Valve Assembly



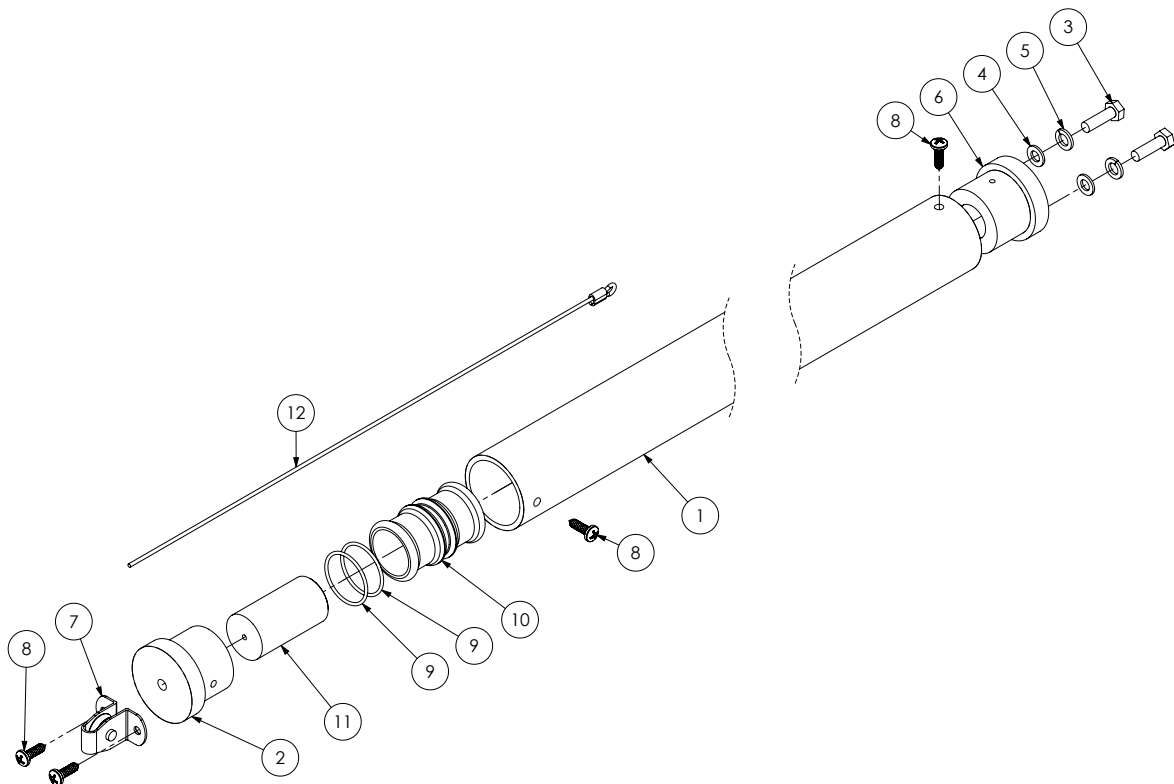
ITEM NO.	PART NUMBER	DESCRIPTION	QTY.
1	GA4583370	THREADED TANK FLANGE 2"	1
2	GA5000527	SCREW, PAN HEAD, 12G X 25MM, SS	1
3	GA4551975	SPACER, 56MM OD, 5MM WALL, 10MM UNIBOARD POLY	1
4,5,6	GA5077046	VALVE, BREATHER, SINGLE FLOATING BALL	1

Remote Drain - 3"



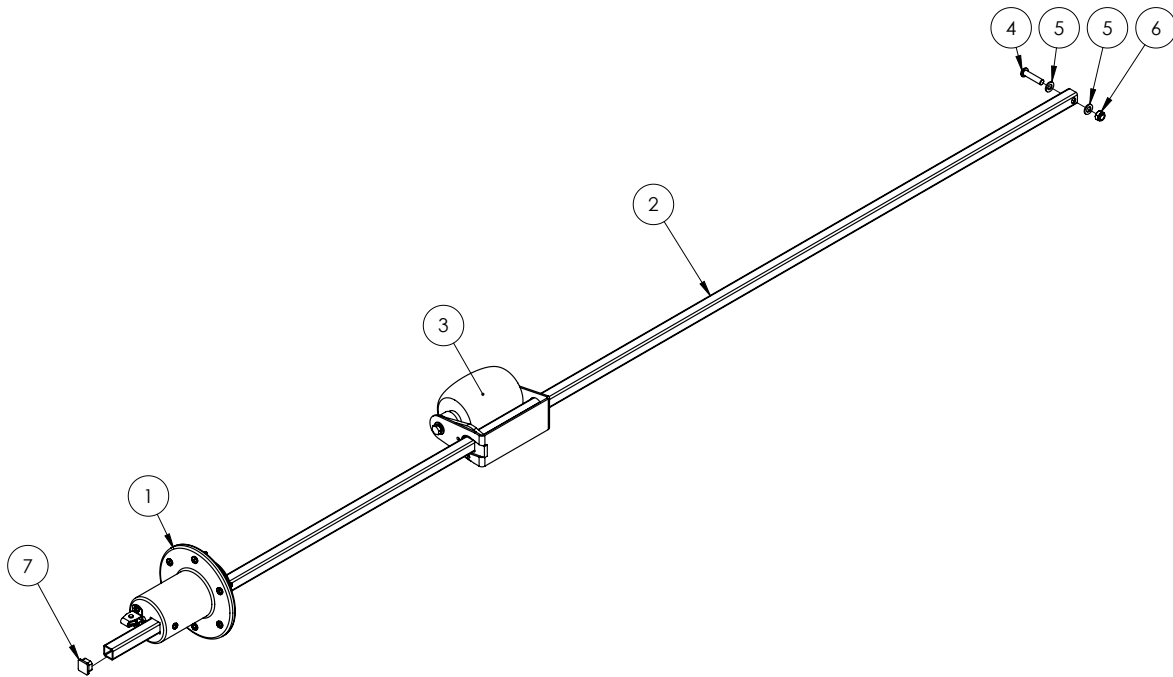
ITEM NO.	PART NUMBER	DESCRIPTION	QTY.
1	GA5078204	VALVE, BALL, 3", MALE NPT, MALE CAM LOCK, STUBBLY, LONG HANDLE	1
2	GA5076720	CAM LEVER, 3 FEMALE COUPLING X 3 FEMALE THREAD, BANJO - NSPT THREAD	1
3	GA4400290	PLATE, REMOTE VALVE TAP LINK, 3" DRAIN	1
4	GA4661150	REMOTE VALVE HANDLE 3" DRAIN	1
5	GA5000327	SET SCREW M12 X 45 GR8.8 ZP	1
6	GA5000577	WASHER 12MM FLAT SS HD	2
7	GA5012461	NUT M12 NYLOC ZP	1
8	GA5001893	WASHER 1" X 1 7/8" X 14G	2
9	GA4400285	PLATE, REMOTE VALVE HANDLE SUPPORT BRACKET, PLASTIC	2
10	GA5000117	WASHER 10MM FLAT SS HD	4
11	GA5000141	NUT M10 NYLOC ZP	2
12	GA5006057	BOLT M10 X 50 GR8.8 ZP	2

Dry Sight Tube - Cap & Tube Assembly



ITEM NO.	PART NUMBER	DESCRIPTION	QTY.
-	GA5065075	DECAL, DRY SIGHT TUBE, 6000L, CROP CRUISER	-
1	GA5002979	SIGHT TUBE, CLEAR, 38 ID X 44 OD X 2000 MM LONG, POLYCARBONATE	1
2	MACH0306	REMOTE SIGHT TUBE END CAP (BLK POLY)	1
3	GA5004065	BOLT M6 X 20 ZP GR8.8	2
4	GA5004437	WASHER 6MM FLAT SS	2
5	GA5004447	M6 SPRING WASHER SS	2
6	MACH0316	TUBE END CAP WITH LIGHT ATTACHMENT	1
7	GA5015221	PULLEY, UPRIGHT, 19 MM, SUIT SIGHT TUBE CABLE ROLLER	1
8	GA5014817	SCREW 10G X 5/8" PAN HEAD SS	4
9	GA5012529	O-RING, 34.65 X 1.78 MM, BS024	2
10	MACH0307	REMOTE SIGHT TUBE LEVEL INDICATOR	1
11	MACH0317	LEVEL INDICATOR INSERT	1
	GA4902149	CABLE, PRE ASSEMBLY, 5M - INCLUDES CABLE AND FERRULES	-
12	GA5017873	CABLE, WIRE ROPE, 1.6 MM, 7X19 CORE, 316 SS, SUIT SIGHT TUBE - CUT TO 5 METRES	1
	GA5008643	FERRULE, HAND SWAGE, NICKLE PLATED COPPER, SUITS GA5017873 CABLE	2

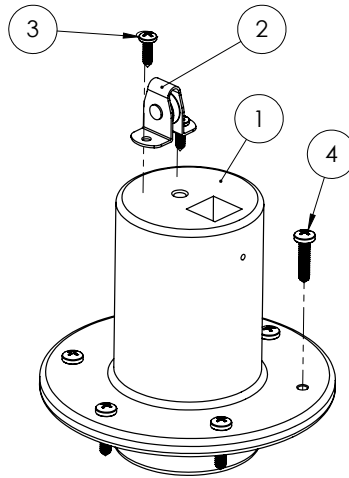
Dry Sight Tube - Float & Guide



ITEM NO.	PART NUMBER	DESCRIPTION	QTY.
1	*	DRY SIGHT TUBE - LOCATING CAP ASSEMBLY	1
2	GA5046955	19 X 19 X 1.6MM SS RHS - CUT 2150 MM	1
3	*	DRY SIGHT TUBE - FLOAT ASSEMBLY	1
4	GA5051370	BHCS M8 X 35MM SS	1
5	GA5003643	WASHER 8MM SS HD	2
6	GA5052590	NUT M8 NYLOC SS	1
7	GA5001101	SQUARE TUBE INSERT 19 X 19MM, BLACK	1

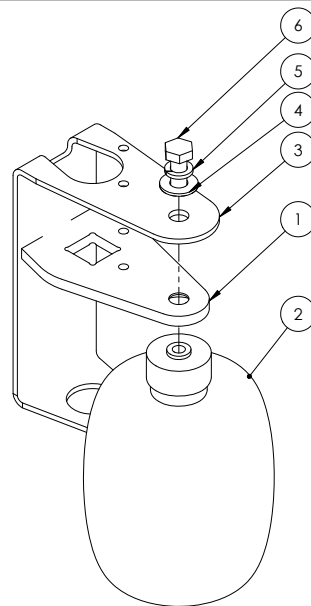
* Sub-assembly on following pages

Dry Sight Tube - Locating Cap Assembly



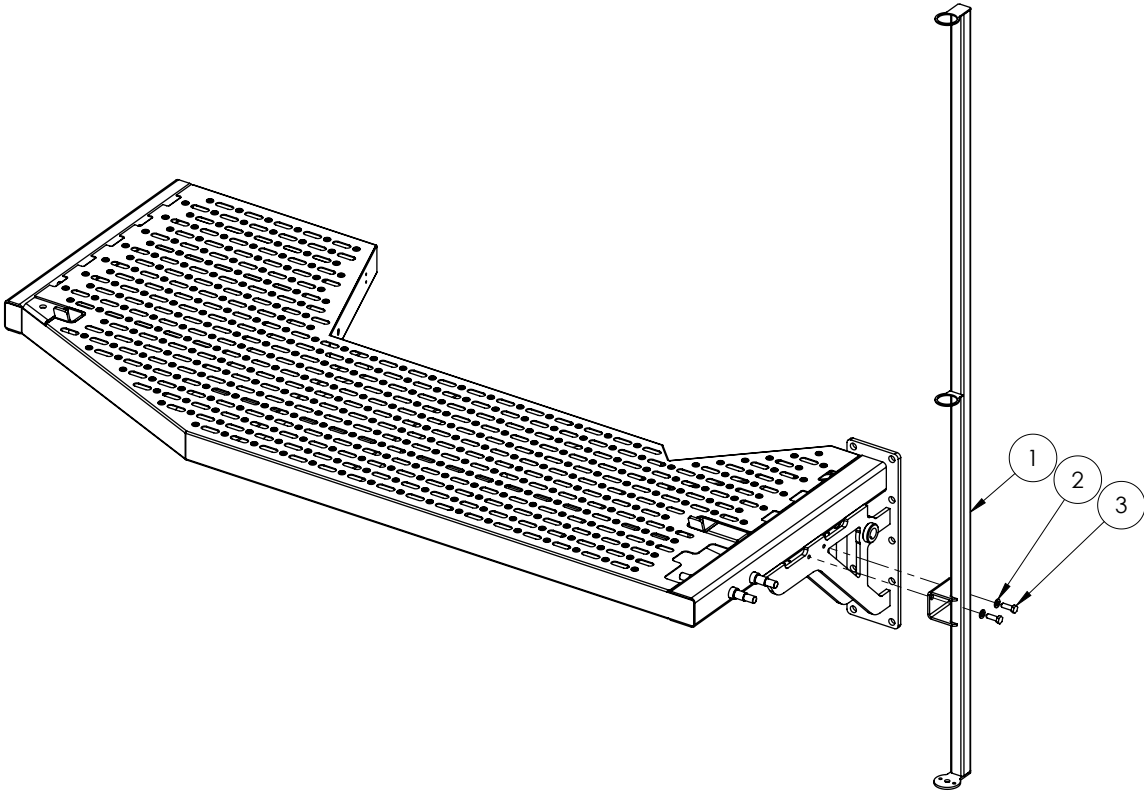
ITEM NO.	PART NUMBER	DESCRIPTION	QTY.
1	MACH0308	FLOAT TUBE LOCATING CAP (BLK POLY)	1
2	GA5015221	PULLEY, UPRIGHT, 19MM	1
3	GA5014817	SCREW 10G X 5/8" PAN HEAD SS	2
4	GA5000527	SCREW, PAN HEAD, 12G X 25MM, SS	6

Dry Sight Tube - Float Assembly



ITEM NO.	PART NUMBER	DESCRIPTION	QTY.
1	GA5072660	FLOAT PLATE DRY SIGHT TUBE	1
2	GA5072665	BALL FLOAT 4" PLASTIC 5/16" WHITWORTH THREADS	1
3	GA4401610	PLATE, FLOAT, DRY SIGHT TUBE	1
4	GA5003643	WASHER 8MM FLAT SS HD	1
5	GA5004919	WASHER 8MM SPRING SS	1
6	GA5048485	SET SCREW, 5/16" X 3/4" BSW, SS GR8	1

Dry Sight Tube - Mount

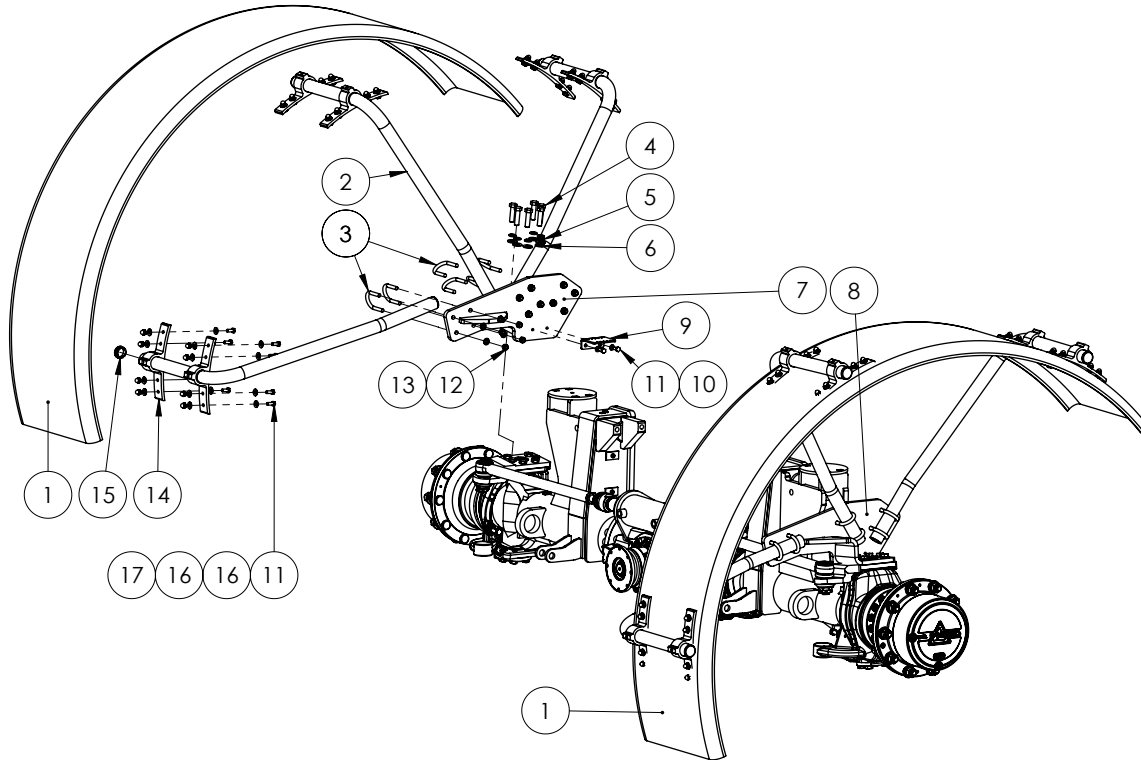


ITEM NO.	PART NUMBER	DESCRIPTION	QTY.
1	GA4661080	DRY SIGHT TUBE MOUNT	1
2	GA5000117	WASHER 10MM FLAT SS HD	2
3	GA5006145	BOLT M10 X 30 SS A2-70	2

Chapter 12

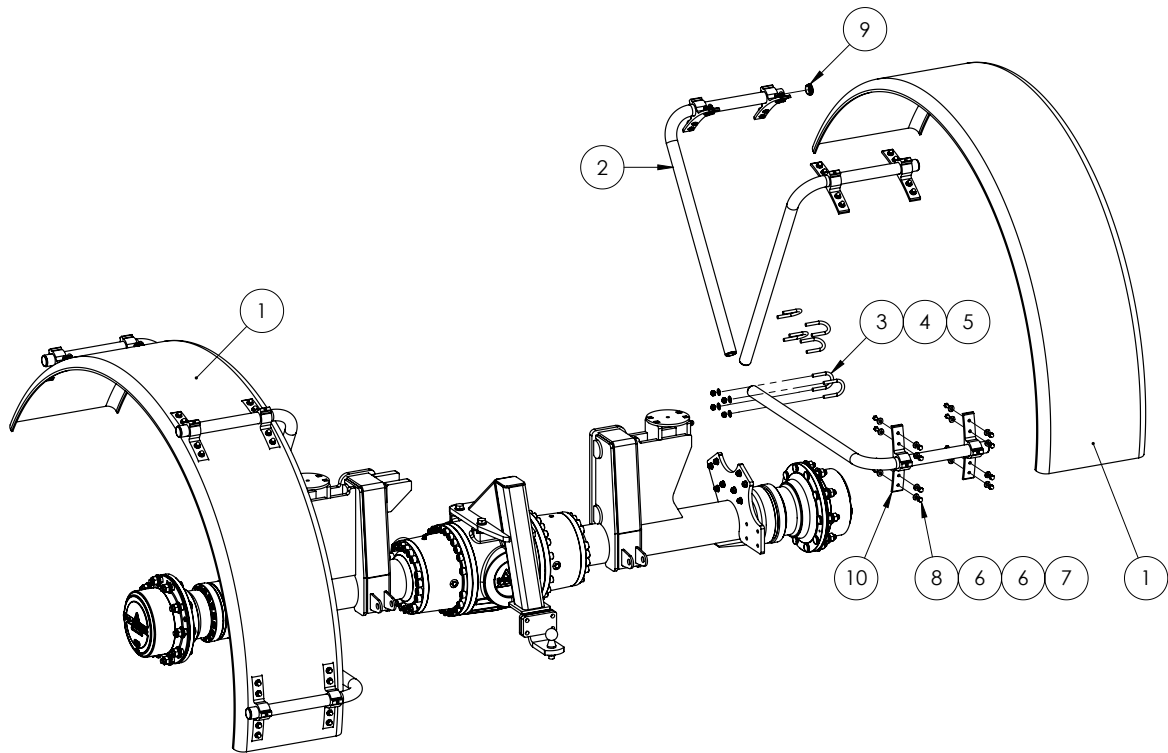
WHEELS & MUDGUARD

Mud Guards - Front Axle (520/85R46 Tyre)



ITEM NO.	PART NUMBER	DESCRIPTION	QTY.
1	GA5003825	MUDGUARD, BLACK PLASTIC, 500 WIDE X 1000MM RADIUS	2
2	GA5071955	PIPE, MUDGUARD MOUNT, FRONT AXLE, SUPER CRUISER, G8	6
3	GA5071209	U BOLT, ROUND TOP, M12 X 91L X 50W	12
4	GA5000941	BOLT M16 X 60 GR8.8 ZP	12
5	GA5001051	WASHER 16MM SPRING SS	12
6	GA5001043	WASHER 16MM FLAT SS HD	12
7	GA4661050	MUDGUARD MOUNT, FRONT, LH, SUPER CRUISER, G8, 2015	1
8	GA4661055	MUDGUARD MOUNT, FRONT, RH, SUPER CRUISER, G8, 2015	1
9	GA4506600	PLATE TRIMBLE GIRO MOUNT	1
10	GA5000117	WASHER 10MM FLAT SS HD	2
11	GA5066162	BOLT M10 X 25 SS	50
12	GA5012461	NUT M12 NYLOC ZP	24
13	GA5000577	WASHER 12MM FLAT SS HD	24
14	GA5020450	BRACKET, PLASTIC, BLACK, MUDGUARD MOUNTING	12
	GA5050675	GRUB SCREW M12 X 16 SS	12
15	GA5003925	END CAP, 45 MM ROUND, BLACK PLASTIC	9
16	GA5002565	WASHER 3/8" ID X 1" OD FLAT SS	96
17	GA5011133	NUT M10 DOME NUT SS	48

Mud Guards - Rear Axle (520/85R46 Tyre)



ITEM NO.	PART NUMBER	DESCRIPTION	QTY.
1	GA5003825	MUDGUARD W500 X R1000MM	2
2	GA5071960	PIPE, MUDGUARD MOUNT, REAR AXLE, SUPER CRUISER, G8	6
3	GA5071209	U-BOLT, ROUND TOP, M12 X 91L X 50W	12
4	GA5000577	WASHER 12MM FLAT SS HD	24
5	GA5012461	NUT M12 NYLOC ZP	24
6	GA5002565	WASHER 3/8" ID X 1" OD FLAT SS	48
7	GA5066162	BOLT M10 X 25 SS	24
8	GA5011133	NUT M10 DOME NUT SS	24
9	GA5003925	INSERT ROUND 45MM X 0.8 - 3.0MM	12
10	GA5020450	BRACKET, PLASTIC, BLACK, MUDGUARD MOUNTING	12
	GA5050675	GRUB SCREW M12 X 16 SS	12

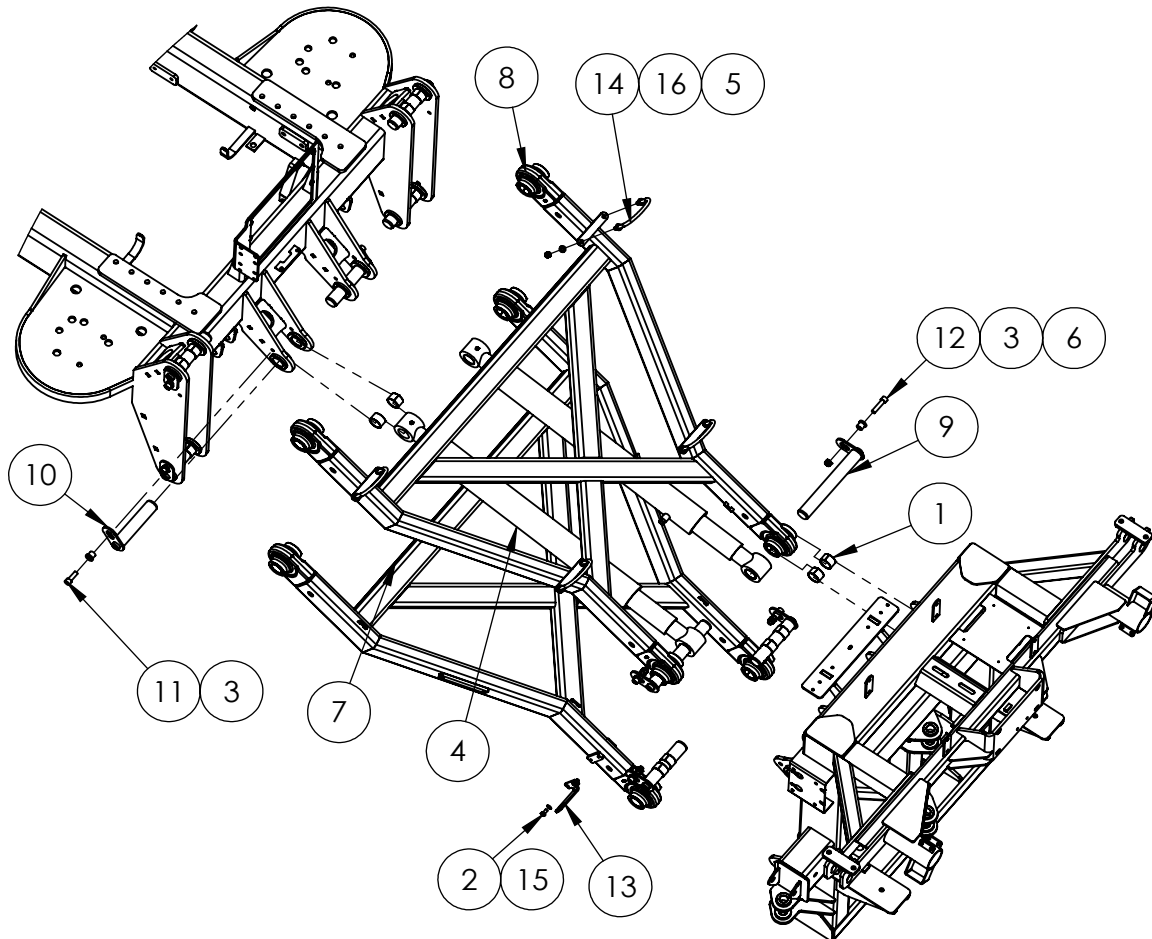
Wheels & Tyres

PART NUMBER	DESCRIPTION
GA1500004	WHEEL, DD16 X 46, ZERO OFFSET
GA1500024	TYRE, 520/85R46, X-LOAD 173A8/169D, HARVEST
GA1500009	TYRE, 520/85R46 158A8, BKT, AGRIMAX
GA5018892	WHEEL NUT, M22 X 1.5MM, ZP
GA5070815	HEX NUT CAP SUIT M22 CROP CRUISER STUD

Chapter 13

BOOM CENTRE

Paralift 36-42m



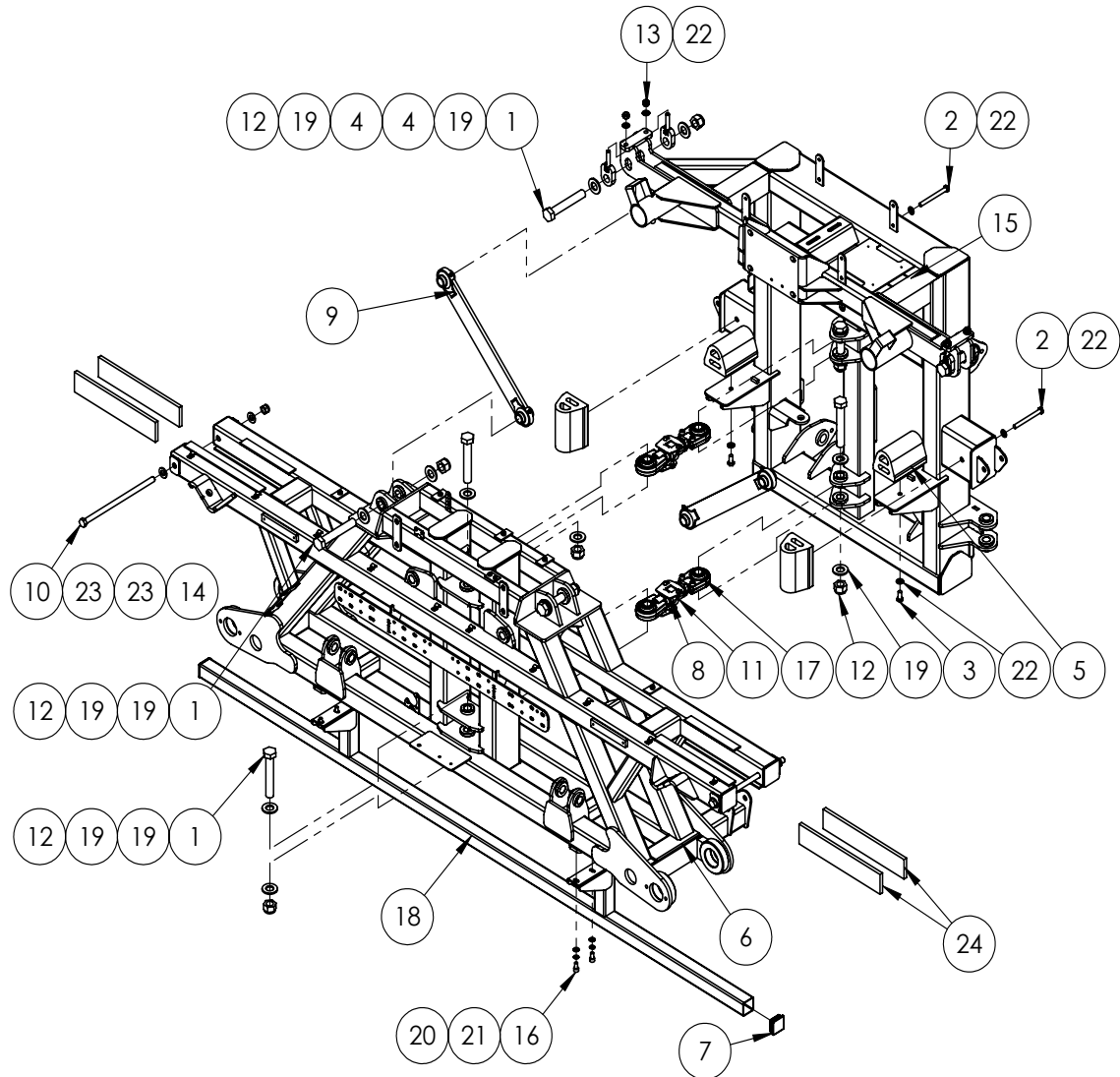
ITEM NO.	PART NUMBER	DESCRIPTION	QTY.
1	GA1700027	BEARING, GLACIER BUSH, 1 1/2" ID X 1" LONG	16
2	GA5011465	BOLT M8 X 16 GR8.8 ZP	2
3	MACH0152	BUSH WITH SHOULDER, 12.3 ID X 25 OD X 21 LONG, SUIT PARALIFT PIN BOLTS	10
4	GA3500593	HYDRAULIC CYLINDER, DISPLACEMENT, 3" BORE, 2.5" ROD, 26" STROKE SUIT 1.5" PINS	2
5	GA5000141	NUT M10 NYLOC ZP	2
6	GA5012461	NUT M12 NYLOC ZP	4
7	GA4602920	PARALIFT ARM, BOTTOM, SELF PROPELLED, SUIT 1 1/2" PINS, MY20	1

Continue Over Page

Paralift 36-42m

ITEM NO.	PART NUMBER	DESCRIPTION	QTY.
8	GA4661220	PARALIFT ARM, TOP, SELF PROPELLED, SUIT 1 1/2" PINS, 2018	1
9	GA5073465	PIN, 1 1/2", SUIT PARALIFT ARM AND CYLINDER, CHROME PLATED	2
10	GA5073460	PIN, 1 1/2", SUIT PARALIFT ARM, CHROME PLATED	8
11	GA5000313	SHCS M12 X 35 GR12.9 ZP	6
12	GA5051470	SHCS M12 X 50 GR12.9 ZP	4
13	GA4537185	SENSOR BRACKET STAND OFF, BOLT ON, SUIT PARALIFT HEIGHT, BOOM FOLD	1
14	GA5070905	U BOLT, ROUND TOP, M10 X 118 X 115MM, WITH STOPPER WASHERS, Z/P	4
15	GA5003643	WASHER M8 FLAT SS HD	2
16	GA5000117	WASHER M10 FLAT SS HD	8

36m - 42 - Boom Centre - Base Assembly



ITEM NO.	PART NUMBER	DESCRIPTION	QTY.
1	GA4683145	BOLT 1 UNC X 6 CUT DOWN FROM 7	8
2	GA5000265	BOLT M12 X 120 GR8.8 ZP	2
3	GA5011229	BOLT M12 X 25 GR8.8 ZP	2
4	GA4656260	ADJUSTER BOLT, DELTA LINK HANGER	4
5	GA5075240	BUMP STOP RUBBER WITH THREADED INSERT	4
6	GA4658122	CENTRE SECTION, TRITECH, 24M - 42M, 2017	1
7	GA5003783	END CAP, PLASTIC, BLACK, INSERT, RHS. 50 X 50, 0.8 - 2.5MM WALL	2
8	GA4524140	LOCKING PLATE SUIT ADJUSTABLE DELTA LINK SS	2
9	GA4656240	DELTA LINK, LONG	2
10	GA5075125	BOLT M16 X 325 GR4.4 ZP 60 MM OF THREAD	2
11	GA5018245	U BOLT, ROUND TOP, M8 X 50 X 60	2
12	GA5012439	NUT 1 UNC NYLOC ZP	8
13	GA5012461	NUT M12 NYLOC ZP	4

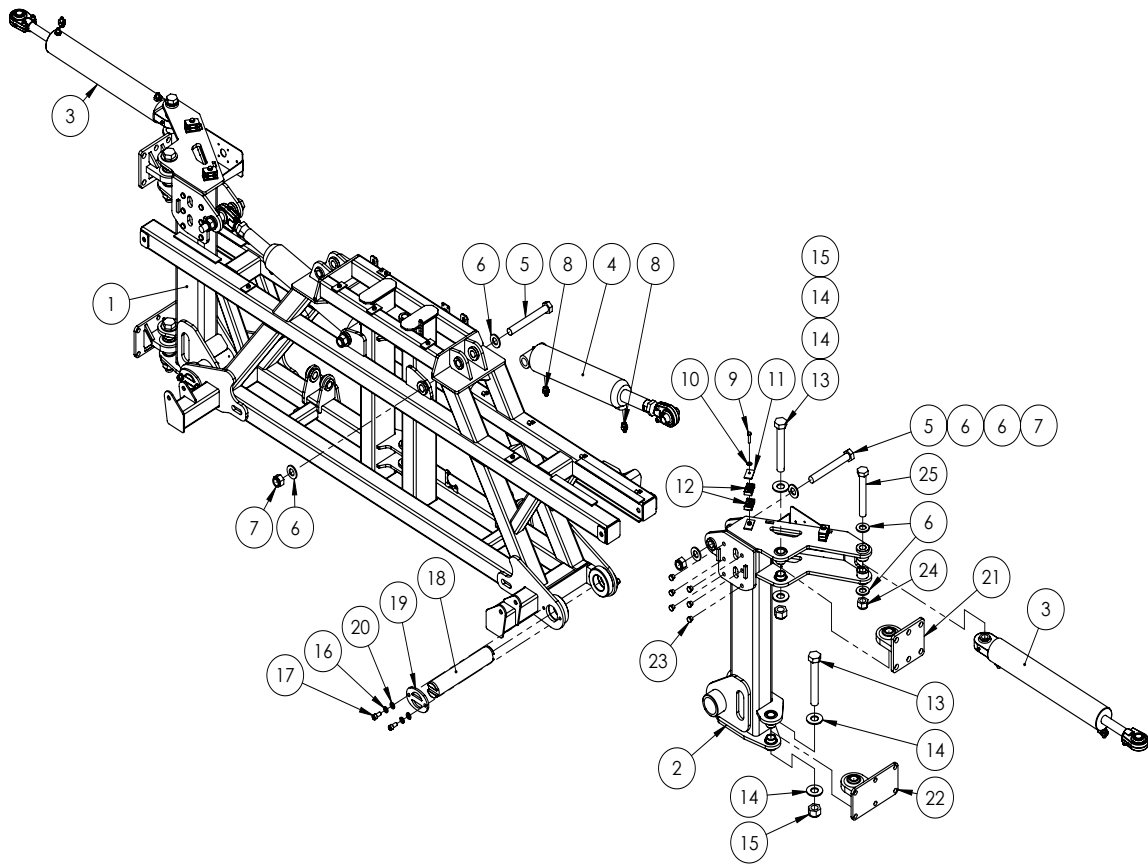
* Continue Over Page

36 - 42 - Boom Centre Base Assembly

ITEM NO.	PART NUMBER	DESCRIPTION	QTY.
14	GA5012463	NUT M16 NYLOC SS	2
15	GA4658138	PARALIFT REAR, TRITECH, 24M TO 42M BOOM, 2017	1
16	GA5011153	SHCS M10 X 20 GR12.9 ZP	4
17	DELTA-LINKSA	DELTA LINK, SHORT, HEAVY DUTY, ADJUSTABLE, DELTA-LINKSA	2
18	GA4660330	SPRAY BAR TRITECH CENTRE SECTION 2015	1
19	GA5017681	WASHER 1 X 2 7G FLAT THIN SS	16
20	GA5000117	WASHER 10MM FLAT SS HD	4
21	GA5000137	WASHER 10MM SPRING SS	4
22	GA5000577	WASHER 12MM FLAT SS HD	8
23	GA5001043	WASHER 16MM FLAT SS HD	4
24	GA5075090	WEAR PAD, 380 X 74 X 12, POLYSTONE, SUIT TRI TECH TILT ARM	4

* Sub-assembly on following pages

36m - Boom Centre - Tilt Assembly



ITEM NO.	PART NUMBER	DESCRIPTION	QTY.
1	GA4660445	TILT ARM CENTRE SECTION TRITECH RH 2015	1
2	GA4660440	TILT ARM CENTRE SECTION TRITECH LH 2015	1
3	GA5018538	HYDRAULIC CYLINDER, BORE 3", ROD 1.25", STROKE 18"	2
4	GA5065051	HYDRAULIC CYLINDER, BORE 3.5", ROD 1.75", STROKE 5"	2
5	GA5006151	BOLT 1 UNF 12 TPI X 8 GR8 ZP	4
6	GA5017681	WASHER 1 X 2 7G FLAT THIN SS	12
7	GA5012445	NUT, 1" UNF, 14 TPI, NYLOC, ZP	4
8	GA3500147	HYDRAULIC ADAPTOR, NIPPLE, 9/16" JIC MALE X 3/4" UN MALE O-RING, S90-0912	4
9	GA5011481	BOLT M8 X 35 GR8.8 ZP	4
10	GA5003643	WASHER 8MM FLAT SS HD	4
11	GA5078042	MOUNTING CLAMP, DOUBLE TYPE, PLATE, TOP, GROUP 2, RCD-2PT	4
12	GA5078031	MOUNTING CLAMP, DOUBLE TYPE, JAW, PAIR, GROUP 2, 14MM, RCD-14J [PAIR]	8
13	GA0500053	BOLT, 1 1/8" X 7 1/2" UNC, ZP, GR8	4
14	GA5017607	WASHER 1 1/8 FLAT ZP	8
15	GA0500054	NUT 1 1/8", NYLOC, ZP, UNC	4

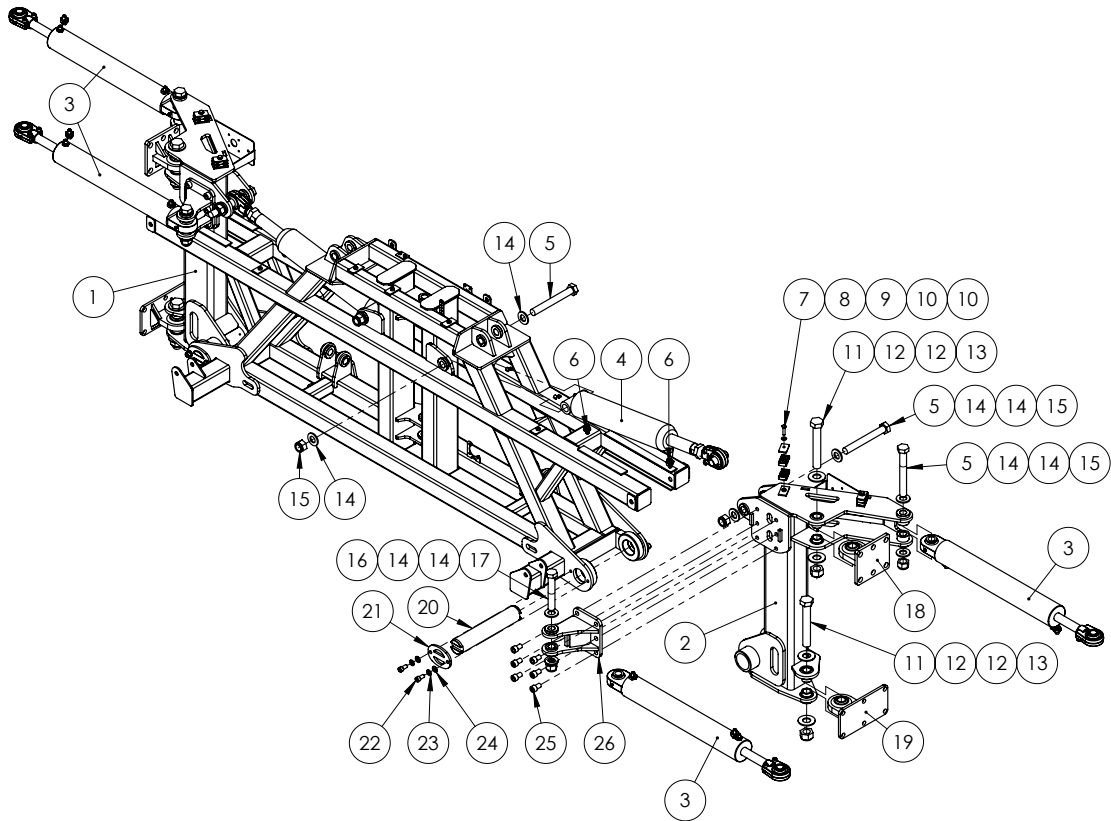
* Continue Over Page

36 - Boom Centre - Tilt Assembly

ITEM NO.	PART NUMBER	DESCRIPTION	QTY.
16	GA5000575	WASHER 12MM SPRING SS	8
17	GA5000297	SHCS M12 X 25 GR12.9 ZP	8
18	GA4572365	TILT PIN SUIT MY11 CENTRE SECTION	2
19	GA4502280	PIN RETAINER	4
20	GA5000577	WASHER 12MM FLAT SS HD	8
21	GA4660915	TOP ROSE END LARGE TRITECH SP 2016	2
22	GA4659220	BOTTOM ROSE END LARGE TRITECH	2
23	GA5052910	END CAP, PLASTIC, BLACK, INSERT, ROUND. 18MM, 0.8 - 2.5MM WALL	12
24	GA5012439	NUT 1 UNC NYLOC ZP	2
25	GA5006147	BOLT 1 UNC X 7 GR8 ZP	2

^ See Chapter 18 'Hydraulics' for sub-assembly

42m - Second Stage Fold - Lower Pivot



ITEM NO.	PART NUMBER	DESCRIPTION	QTY.
1	GA4660445	TILT ARM CENTRE SECTION TRITECH RH 2015	1
	GA5075060	GLACIER BUSH 60MM ID 50MM LONG	2
2	GA4660440	TILT ARM CENTRE SECTION TRITECH LH 2015	1
	GA5075060	GLACIER BUSH 60MM ID 50MM LONG	2
3	GA5018538	HYDRAULIC CYLINDER, BORE 3", ROD 1.25", STROKE 18"	4
4	GA5065051	HYDRAULIC CYLINDER, BORE 3.5", ROD 1.75", STROKE 5"	2
5	GA5006151	BOLT 1 UNF 12 TPI X 8 GR8 ZP	6
6	GA3500147	HYDRAULIC ADAPTOR, NIPPLE, 9/16" JIC MALE X 3/4" UN MALE O-RING, S90-0912	4
7	GA5011481	BOLT M8 X 35 GR8.8 ZP	4
8	GA5003643	WASHER 8MM FLAT SS HD	4
9	GA5078042	MOUNTING CLAMP, DOUBLE TYPE, PLATE, TOP, GROUP 2, RCD-2PT	4
10	GA5078031	MOUNTING CLAMP, DOUBLE TYPE, JAW, PAIR, GROUP 2, 14MM, RCD-14J [PAIR]	8
11	GA0500053	BOLT, 1 1/8" X 7 1/2" UNC, ZP, GR8	4
12	GA5017607	WASHER 1 1/8 FLAT ZP	8
13	GA0500054	NUT 1 1/8", NYLOC, ZP, UNC	4
14	GA5017681	WASHER 1 X 2 7G FLAT THIN SS	16
15	GA5012446	NUT 1 UNF 12 TPI NYLOC ZP	6
16	GA5012439	NUT 1 UNC NYLOC ZP	2
17	GA4683145	BOLT 1 UNC X 6 CUT DOWN FROM 7	2

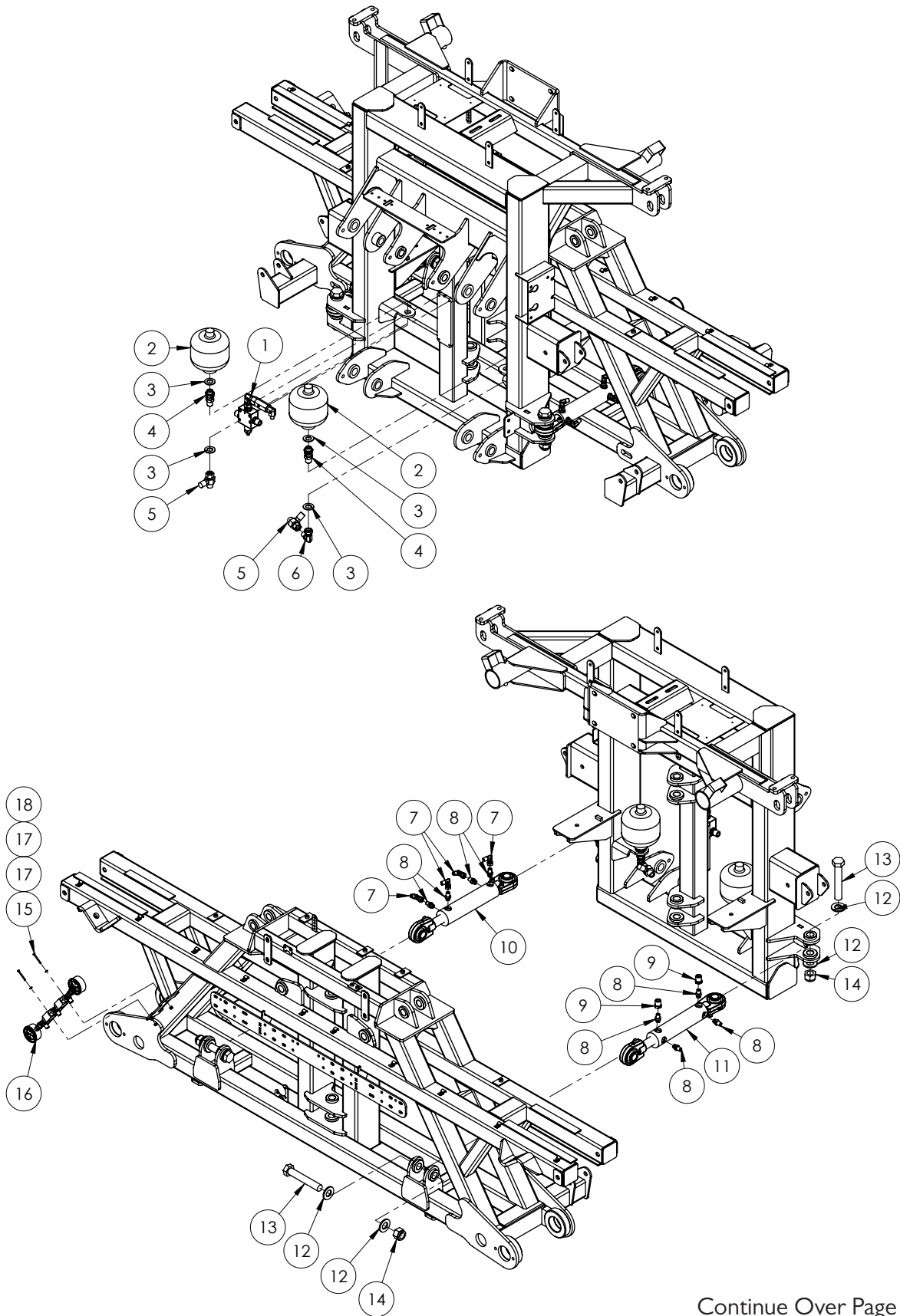
* Continue Over Page

36-42m - Breakaway Springs

ITEM NO.	PART NUMBER	DESCRIPTION	QTY.
18	GA4660915	TOP ROSE END LARGE TRITECH SP 2016	2
19	GA4659220	BOTTOM ROSE END LARGE TRITECH	2
20	GA4572365	TILT PIN SUIT MY11 CENTRE SECTION	2
21	GA4502280	PIN RETAINER	4
22	GA5000297	SHCS M12 X 25 GR12.9 ZP	8
23	GA5000575	WASHER 12MM SPRING SS	8
24	GA5000577	WASHER 12MM FLAT SS HD	8
25	GA5000905	SHCS M16 X 25 GR12.9 ZP	12
26	GA4658875	MOUNT, FOLD CYLINDER, FLAT FOLD SUIT SELF PROPELLED	2

^ See Chapter 18 'Hydraulics' for sub-assembly

36m - Boom Centre - Yaw Assembly



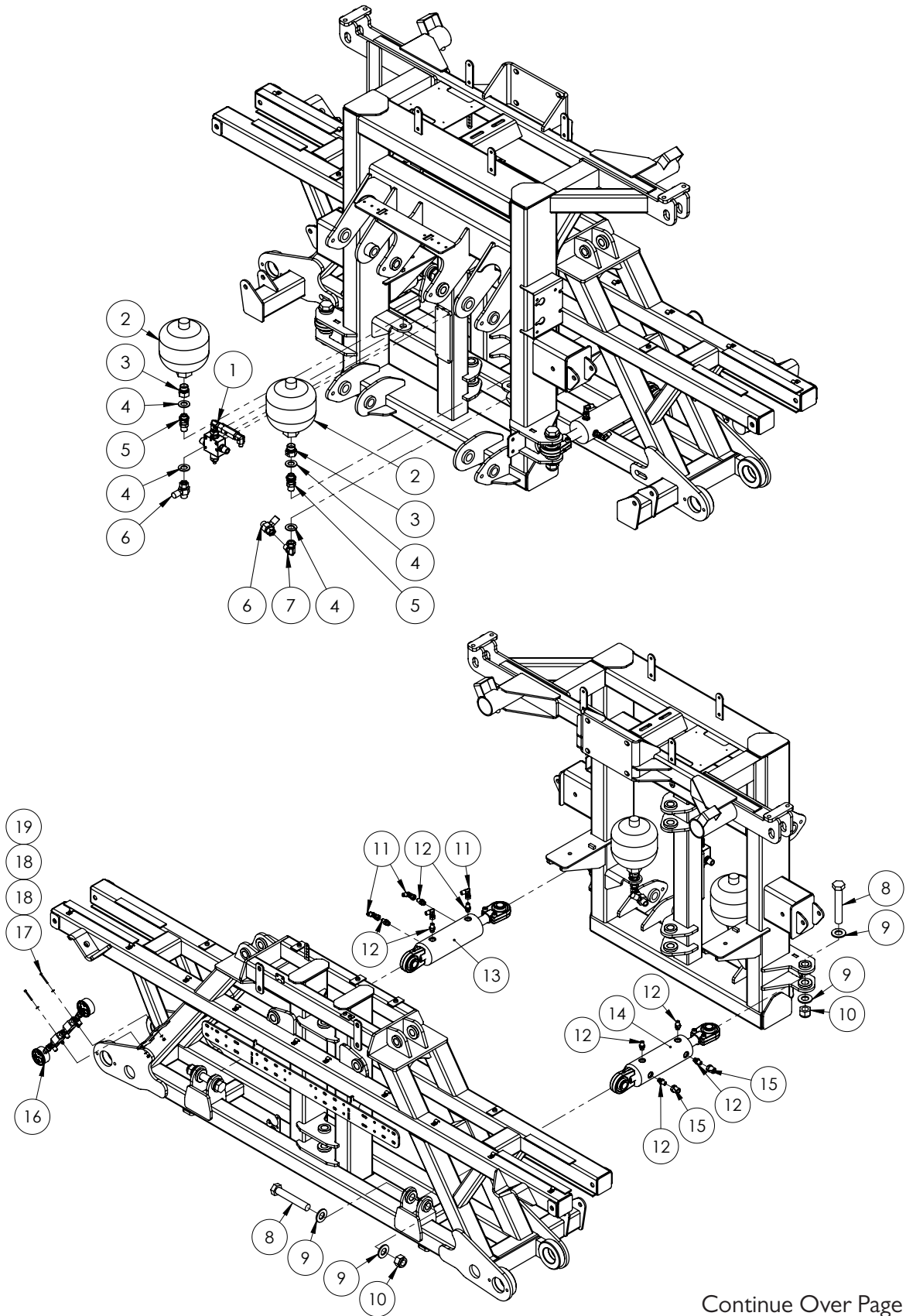
Continue Over Page

36m - Boom Centre - Yaw Assembly

ITEM NO.	PART NUMBER	DESCRIPTION	QTY.
1	^	PRESSURE REDUCER VALVE ASSEMBLY	1
2	GA5007787	ACCUMULATOR, HYDRAULIC, 1L, PRECHARGED TO 70 BAR	2
3	GA5001741	WASHER 20MM FLAT SS HD	4
4	GAS99-603	HYDRAULIC ADAPTOR, BULKHEAD NIPPLE, 1/2 BSP MALE X 1/2 BSP MALE	2
5	GA3500198	HYDRAULIC ADAPTOR, INLINE TEST POINT, 1/2" BSPP FEMALE SWIVEL X 1/2" BSPT MALE X M16 X 2.0 TEST PORT, S160-080816	2
6	GA3500333	HYDRAULIC ADAPTOR, ELBOW, 90 DEGREE, 1/2" BSPT MALE X 1/2" BSPP FEMALE SWIVEL, S82-0808	1
7	GA3500332	HYDRAULIC ADAPTOR, ELBOW, 90 DEGREE, 1/4" BSPT MALE X 1/4" BSPP FEMALE SWIVEL, S82-0404	4
8	GA3500358	HYDRAULIC ADAPTOR, NIPPLE, 1/4" BSPT MALE X 9/16" UN MALE O-RING, S93-0409	8
9	GA3500203	HYDRAULIC ADAPTOR, REDUCING BUSH, 1/2" BSPT MALE X 1/4" BSPT FEMALE, S24-0804	2
10	^	HYDRAULIC CYLINDER - YAW LEFT SIDE	1
11	^	HYDRAULIC CYLINDER. - YAW RIGHT SIDE	1
12	GA5017681	WASHER 1 X 2 7G FLAT THIN SS	8
13	GA4683145	BOLT 1 UNC X 6 CUT DOWN FROM 7	4
14	GA5012439	NUT 1 UNC NYLOC ZP	4
15	GA5049800	SHCS M4 X 40 GR12.9 ZP	2
16	^	YAW CONTROL VAVLE ASSEMBLY	1
17	GA5011361	WASHER 4MM FLAT ZP	4
18	GA5049025	NUT M4 NYLOC SS	2

^ See Chapter 18 'Hydraulics' for sub-assembly

42m - Boom Centre - Yaw Assembly



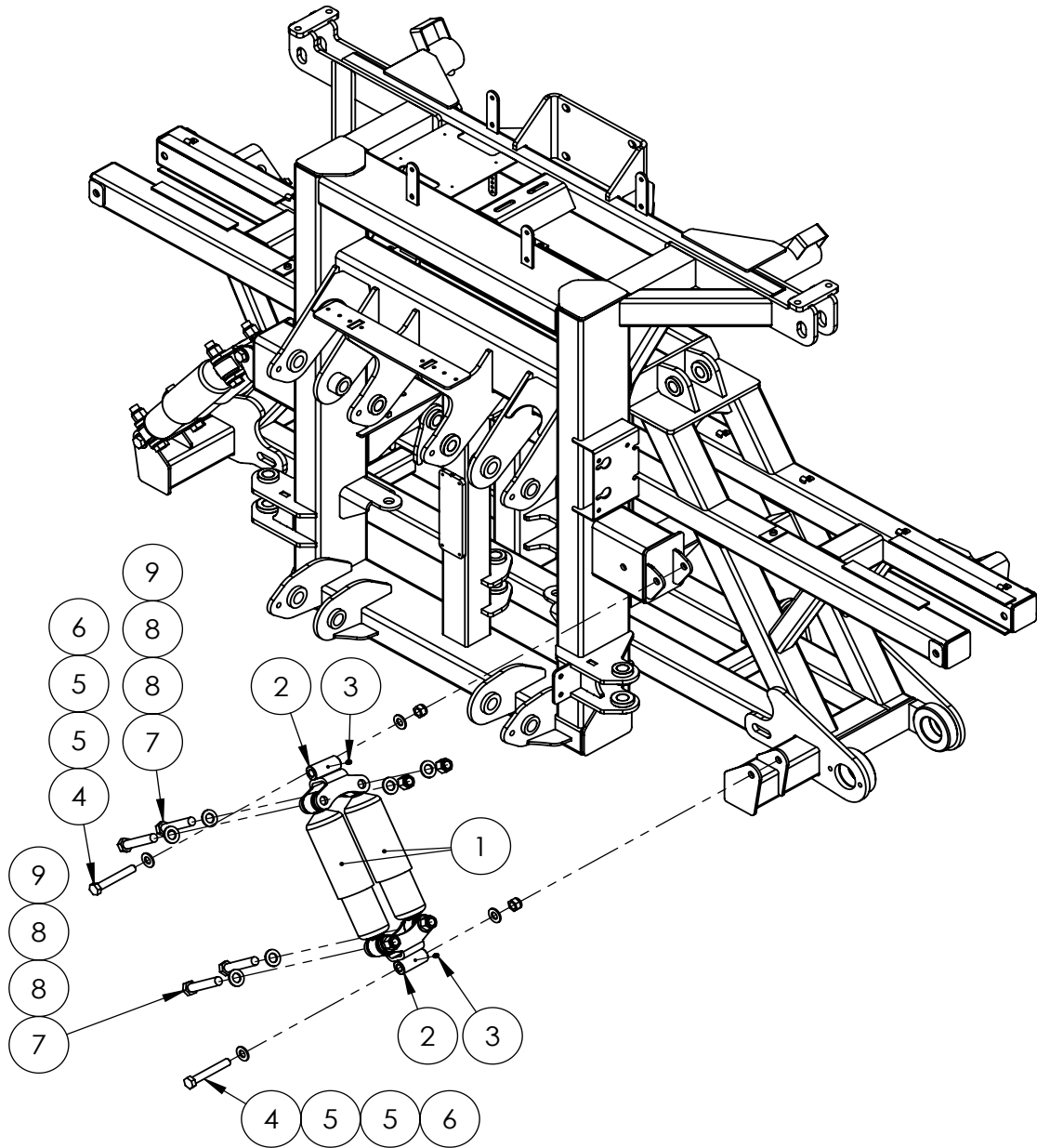
Continue Over Page

42m - Boom Centre - Yaw Assembly

ITEM NO.	PART NUMBER	DESCRIPTION	QTY.
1	^	PRESSURE REDUCER VALVE ASSEMBLY	1
2	GA3500021	ACCUMULATOR, HYDRAULIC, 2L, 90 BAR PRE CHARGE, SUIT 42M YAW	2
3	GA3500483	HYDRAULIC ADAPTOR, 3/4" BSPP TO 1/2" BSPP REDUCING BUSH, S102-1208	2
4	GA5001741	WASHER 20MM FLAT SS HD	4
5	GAS99-603	HYDRAULIC ADAPTOR, BULKHEAD NIPPLE, 1/2 BSP MALE X 1/2 BSP MALE	2
6	GA3500198	HYDRAULIC ADAPTOR, INLINE TEST POINT, 1/2" BSPP FEMALE SWIVEL X 1/2" BSPT MALE X M16 X 2.0 TEST PORT, S160-080816	2
7	GA3500333	HYDRAULIC ADAPTOR, ELBOW, 90 DEGREE, 1/2" BSPT MALE X 1/2" BSPP FEMALE SWIVEL, S82-0808	1
8	GA4683145	BOLT 1 UNC X 6 CUT DOWN FROM 7	4
9	GA5017681	WASHER 1 X 2 7G FLAT THIN SS	8
10	GA5012439	NUT 1 UNC NYLOC ZP	4
11	GA3500332	HYDRAULIC ADAPTOR, ELBOW, 90 DEGREE, 1/4" BSPT MALE X 1/4" BSPP FEMALE SWIVEL, S82-0404	4
12	GA3500358	HYDRAULIC ADAPTOR, NIPPLE, 1/4" BSPT MALE X 9/16" UN MALE O-RING, S93-0409	8
13	^	HYDRAULIC CYLINDER - YAW LEFT SIDE	1
14	^	HYDRAULIC CYLINDER - YAW RIGHT SIDE	1
15	GA3500203	HYDRAULIC ADAPTOR, REDUCING BUSH, 1/2" BSPT MALE X 1/4" BSPT FEMALE, S24-0804	2
16	^	YAW CONTROL VALVE ASSEMBLY	1
17	GA5049800	SHCS M4 X 40 GR12.9 ZP	2
18	GA5011361	WASHER 4MM FLAT ZP	4
19	GA5049025	NUT M4 NYLOC SS2	2

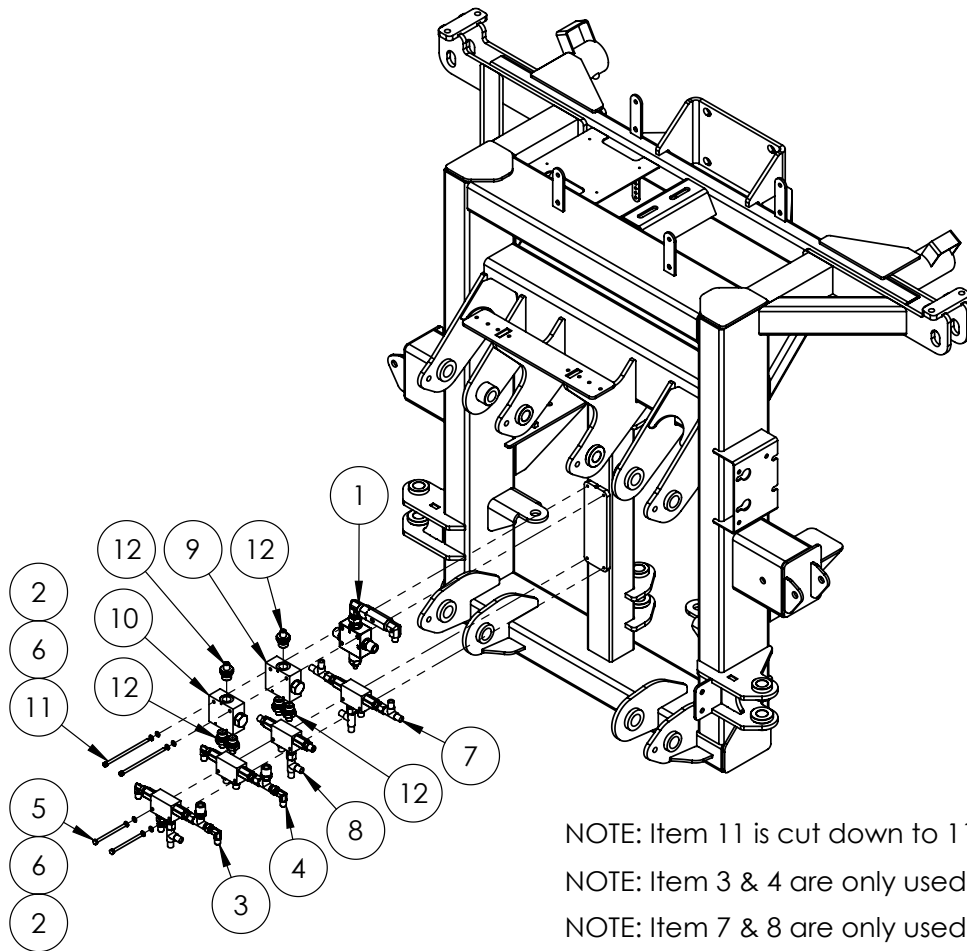
^ See Chapter 18 'Hydraulics' for sub-assembly

36-42m - Boom Centre - Roll Shockers



ITEM NO.	PART NUMBER	DESCRIPTION	QTY.
1	GA5015139	SHOCK ABSORBER, DOUBLE EYE, 19MM EYE, 82MM OD, BLACK	4
2	GA4659360	MOUNTING BRACKET, DUAL ROLL SHOCK ABSORBER, TRI TECH CENTRE	4
3	GA5012203	GREASE NIPPLE, SHORT, 1/4 UNF, MACH0207	4
4	GA5000855	BOLT M16 X 110 GR8.8 ZP	4
5	GA5001009	WASHER 16MM FLAT ZP HD	8
6	GA5012463	NUT M16 NYLOC SS	4
7	GA5049490	BOLT 3/4 UNC X 4 GR8 ZP	8
8	GA5001741	WASHER 20MM FLAT SS HD	16
9	GA5048430	NUT 3/4 UNC NYLOC ZP	8

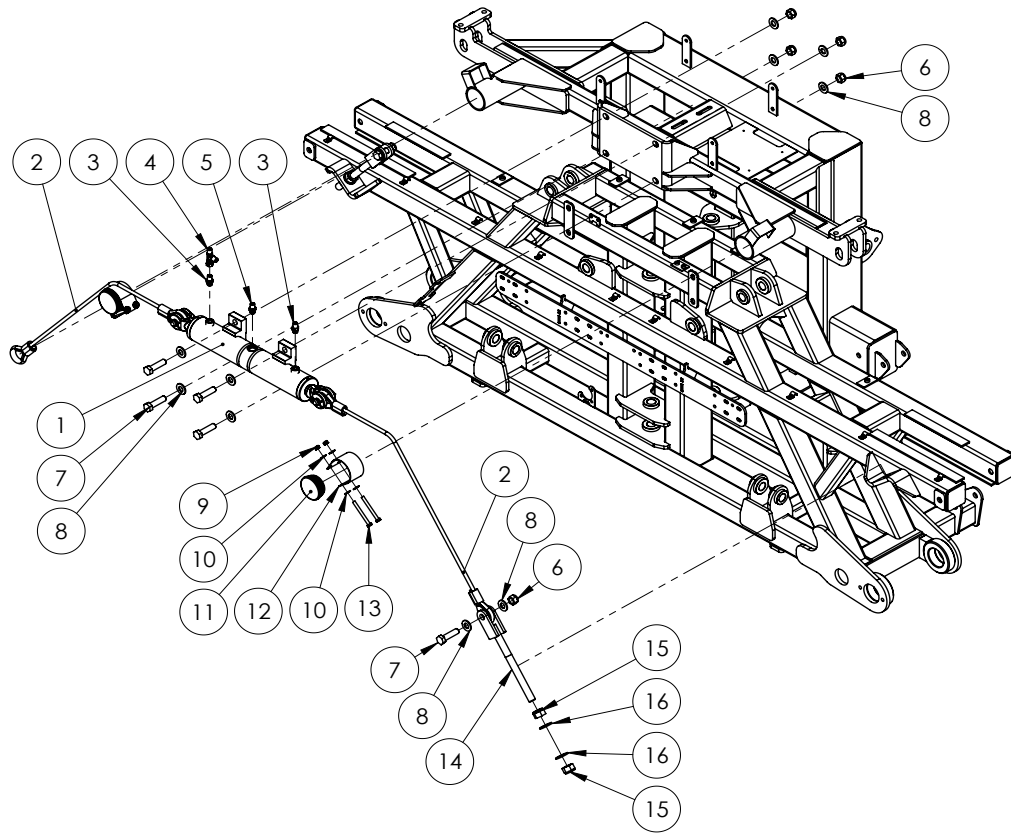
36-42m - Boom Centre - Flow Dividers & Check Valves



NOTE: Item 11 is cut down to 115 mm.
 NOTE: Item 3 & 4 are only used bi-fold.
 NOTE: Item 7 & 8 are only used on 42m

ITEM NO.	PART NUMBER	DESCRIPTION	QTY.
1	^	HYDRAULIC YAW PRESSURE REDUCING VALVE	1
2	GA5004437	WASHER 6MM FLAT SS	4
3	^	DOUBLE PILOT OPERATED CHECK VALVE LH	1
4	^	DOUBLE PILOT OPERATED CHECK VALVE RH	1
5	GA5011389	BOLT M6 X 120 GR8.8 ZP	2
	GA5004107	BOLT M6 X 70 GR8.8 ZP - EITHER BI-FOLD OR 42M BOOM OPTIONED	2
6	GA5004447	WASHER 6MM SPRING SS	4
7	^	DOUBLE PILOT CHECK VALVE ASSEMBLY, 42M BOOM FOLD, FRONT CYLINDERS	1
8	^	DOUBLE PILOT CHECK VALVE ASSEMBLY, 42M BOOM FOLD, REAR CYLINDERS	1
9	GA3500106^	HYDRAULIC VALVE, FLOW DIVIDER, 1 - 3 L/MIN	1
10	GA3500120^	HYDRAULIC VALVE, FLOW DIVIDER, 5 - 13 L/MIN	1
11	GA5051525	SHCS M6 X 130 GR12.9 ZP	2
12	GA3500308	HYDRAULIC ADAPTOR, NIPPLE, 1/4" BSPT MALE X 1/2" BSPP MALE, S75-0408	6

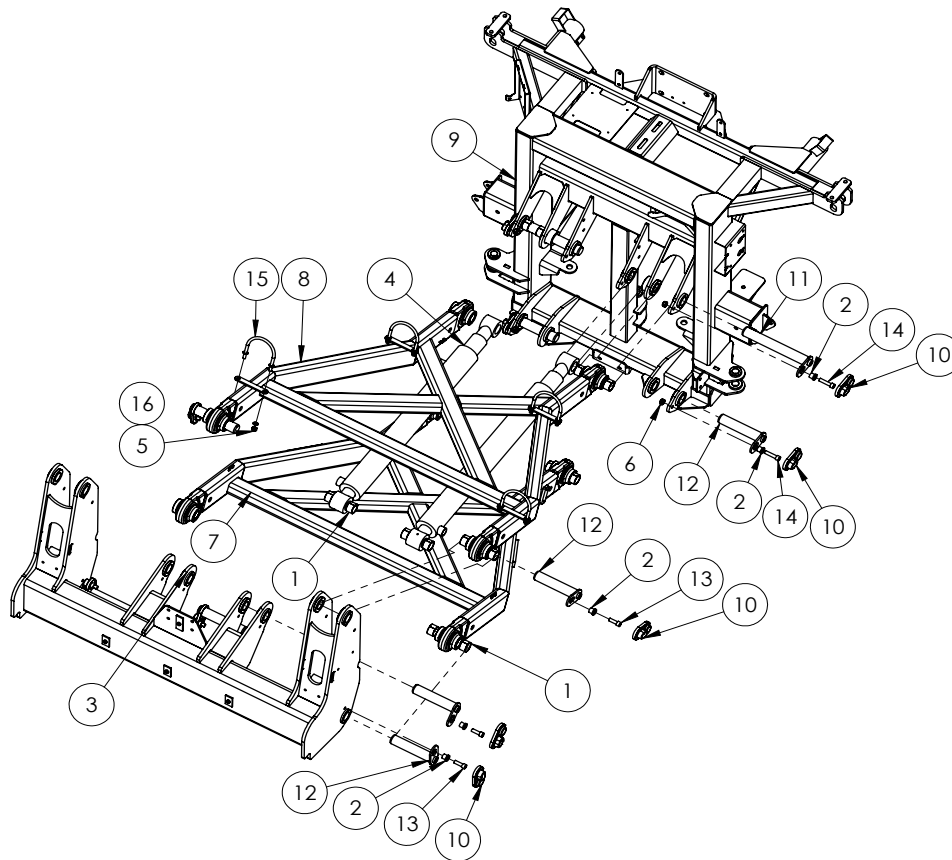
36-42m - Boom Centre - Centre Level



ITEM NO.	PART NUMBER	DESCRIPTION	QTY.
1	GA3500477^	HYDRAULIC CYLINDER, BORE 2.5", ROD 1", STROKE 110MM, BACK TO BACK	1
2	GA4907856	CABLE ASSEMBLY, 12MM WITH THIMBLES AND FERRULES, CENTRE LEVEL, 850MM EYE TO EYE, 2019	2
3	GA3500358	HYDRAULIC ADAPTOR, NIPPLE, 1/4" BSPT MALE X 9/16" UN MALE O-RING, S93-0409	2
4	GA3500199	HYDRAULIC ADAPTOR, TEE, 1/4 BSPT MALE X 1/4 BSPT MALE X 1/4 BSPP FEMALE, S167-040404	1
5	GA3500359	HYDRAULIC ADAPTOR, NIPPLE, 1/4" BSPT MALE X 3/4" UN MALE O-RING, S93-0412	1
6	GA5001029	NUT M16 NYLOC ZP	6
7	GA5000941	BOLT M16 X 60 GR8.8 ZP	6
8	GA5001009	WASHER 16MM FLAT ZP HD	12
9	GA5052590	NUT M8 NYLOC SS	4
10	GA5003643	WASHER 8MM FLAT SS HD	8
11	GA5050355	END CAP, PLASTIC, BLACK, INSERT, ROUND. 76.2 MM, 3.2 - 5.0 MM WALL	2
12	GA4506750	WEAR STRIP SS FOR CENTRE LEVELING CABLES	2
13	GA5022480	BOLT M8 X 100 SS A2-70	4
14	GA5020320	CABLE ADJUSTER, THREADED, M20	2
15	GA5048125	NUT M20 NYLOC COARSE ZP	4
16	GA5001741	WASHER 20MM FLAT SS HD	4

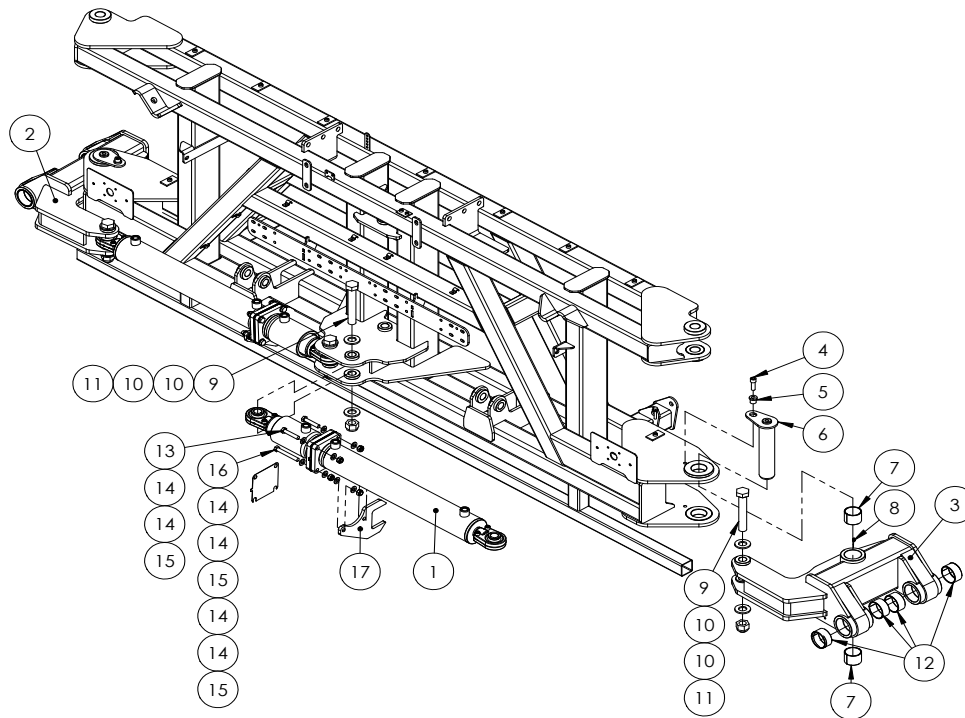
^ See Chapter 18 'Hydraulics' for sub-assembly

48m - Boom Centre - Paralift



ITEM NO.	PART NUMBER	DESCRIPTION	QTY.
1	GA1700027	BEARING, GLACIER BUSH, 1 1/2" ID X 1" LONG	24
2	MACH0152	BUSH WITH SHOULDER, 12.3 ID X 25 OD X 21 LONG, SUIT PARALIFT PIN BOLTS	10
3	*	HEADSTOCK ASSEMBLY, CHASSIS, G8, MY20	1
4	GA3500593	HYDRAULIC CYLINDER, DISPLACEMENT, 3" BORE, 2.5" ROD, 26" STROKE SUIT 1.5" PINS	2
5	GA5000141	NUT M10 NYLOC ZP	8
6	GA5012461	NUT M12 NYLOC ZP	4
7	GA4602920	PARALIFT ARM, BOTTOM, SELF PROPELLED, SUIT 1 1/2" PINS, MY20	1
8	GA4661220	PARALIFT ARM, TOP, SELF PROPELLED, SUIT 1 1/2" PINS, 2018	1
9	GA4600630	PARALIFT REAR, 48M BOOM	1
10	GA5067885	PIN COVER, BLACK, CLIP ON, PLASTIC	10
11	GA5073465	PIN, 1 1/2", SUIT PARALIFT ARM AND CYLINDER, CHROME PLATED	2
12	GA5073460	PIN, 1 1/2", SUIT PARALIFT ARM, CHROME PLATED	8
13	GA5000313	SHCS M12 X 35 GR12.9 ZP	6
14	GA5051470	SHCS M12 X 50 GR12.9 ZP	4
15	GA5070905	U BOLT, ROUND TOP, M10 X 118 X 115MM, WITH STOPPER WASHERS, Z/P	4
16	GA5000117	WASHER 10MM FLAT SS HD	8

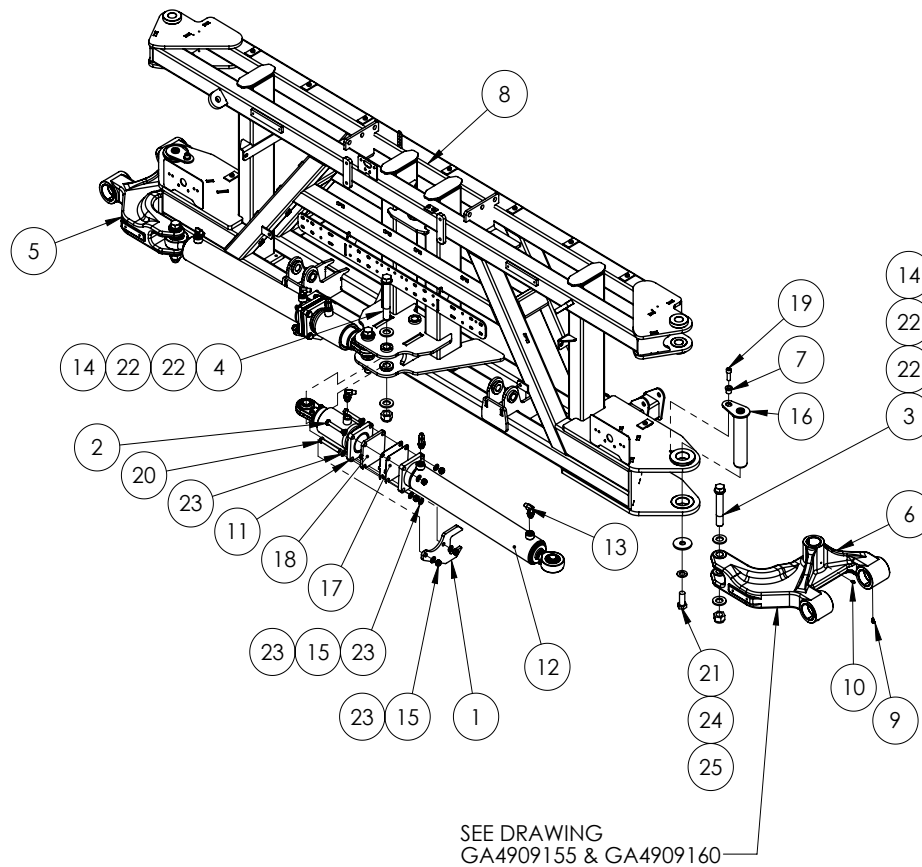
48m - Boom Centre - First Stage Fold - Fabricated Hinge



ITEM NO.	PART NUMBER	DESCRIPTION	QTY.
-	GA4500975	PLATE, SHIM, 1.0MM, FOLD CYLINDER, 48M BOOM	-
1	GA3500475	HYDRAULIC CYLINDER, BORE 3.25", ROD 1.5", STROKE 530MM AND 26MM, BACK TO BACK	2
2	GA4600610	BOOM MOUNT HINGE, LH, 48M BOOM	1
3	GA4600615	BOOM MOUNT HINGE, RH, 48M BOOM	1
4	GA5000313	SHCS M12 X 35 GR12.9 ZP	2
5	MACH0152	BUSH WITH SHOULDER, 12.3 ID X 25 OD X 21 LONG, SUIT PARALIFT PIN BOLTS	2
6	GA4600620	PIN, BOOM FOLD PIVOT, 50MM OD, FABRICATED, 48M	2
7	GA1700012	BEARING, GLACIER BUSH, 50MM ID X 40MM LONG	4
8	GA5012203	GREASE NIPPLE, SHORT, 1/4 UNF, MACH0207	4
9	GA4683145	BOLT 1 UNC X 6 CUT DOWN FROM 7	4
10	GA5017681	WASHER 1 X 2 7G FLAT THIN SS	8
11	GA5012439	NUT 1 UNC NYLOC ZP	4
12	GA1700011	BEARING, GLACIER BUSH, 60MM ID X 30MM LONG	8
13	GA5000335	BOLT M12 X 60 GR8.8 ZP	4
14	GA5000577	WASHER 12MM FLAT SS HD	24
15	GA5012461	NUT M12 NYLOC ZP	12
16	GA5011263	BOLT M12 X 90 GR8.8 ZP	4
17	GA5073235	ANTI ROTATION BRACKET, HYDRAULIC FOLD CYLINDER, 48M BOOM	2

^ See Chapter 18 'Hydraulics' for sub-assembly

48m - Boom Centre - First Stage Fold - Cast Hinge



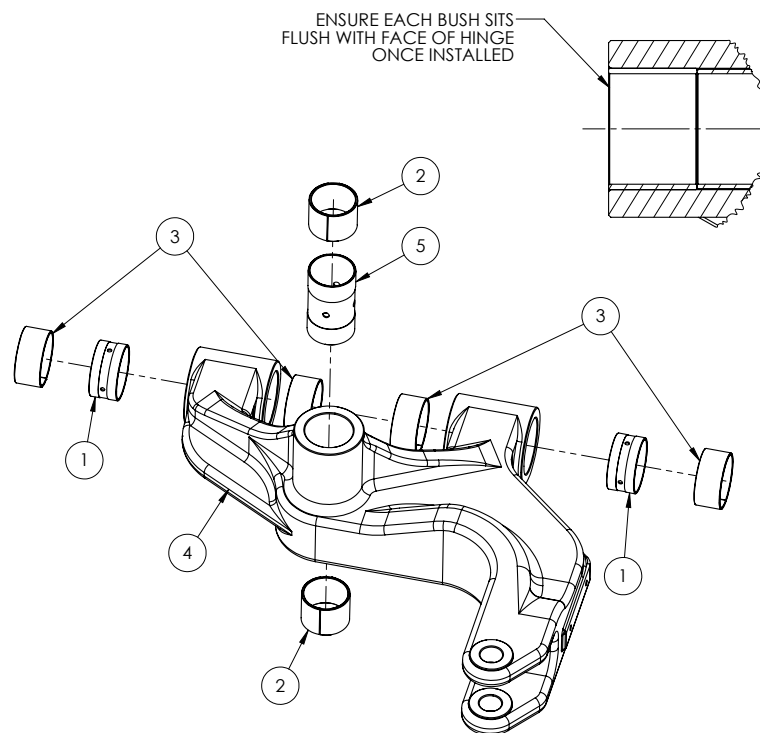
ITEM NO.	PART NUMBER	DESCRIPTION	QTY.
1	GA5073235	ANTI ROTATION BRACKET, HYDRAULIC FOLD CYLINDER, 48m BOOM	2
2	GA5000347	BOLT M12 X 70 GR8.8 ZP	4
3	GA4553238	BOLT, 1" UNC X 6", EN26, ZP	2
4	GA4553243	BOLT, 1" UNC X 6 1/2", EN26, ZP	2
5	GA4909160	BOOM MOUNT HINGE ASSEMBLY, LH	1
6	GA4909155	BOOM MOUNT HINGE ASSEMBLY, RH	1
7	MACH0152	BUSH WITH SHOULDER, 12.3 ID X 25 OD X 21 LONG, SUIT PARALIFT PIN BOLTS	2
8	GA4600601	CENTRE SECTION, 36M - 48M BOOM, MY20	1
9	GA5051970	GREASE NIPPLE, 6mm, 90 DEG	4
10	GA5050450	GREASE NIPPLE, 6mm	2
11	GA3500656	HYDRAULIC CYLINDER, DISPLACMENT (CUSHION), 3.25" BORE, 3" ROD, FLANGE BASE MOUNT, 1" ROSE END	2
12	GA3500655	HYDRAULIC CYLINDER, DOUBLE ACTING, 3.25" BORE, 1.5" ROD, FLANGE BASE MOUNT, 1" ROSE END	2
13	GA3500348	HYDRAULIC ADAPTOR, ELBOW, 90 DEGREE, 1/4" BSPT MALE X 3/4" UN MALE O-RING	6
14	GA5012439	NUT 1" NYLOC UNC ZP	4
15	GA5012461	NUT M12 NYLOC ZP	12

^ See Chapter 18 'Hydraulics' for sub-assembly

Continue Over Page

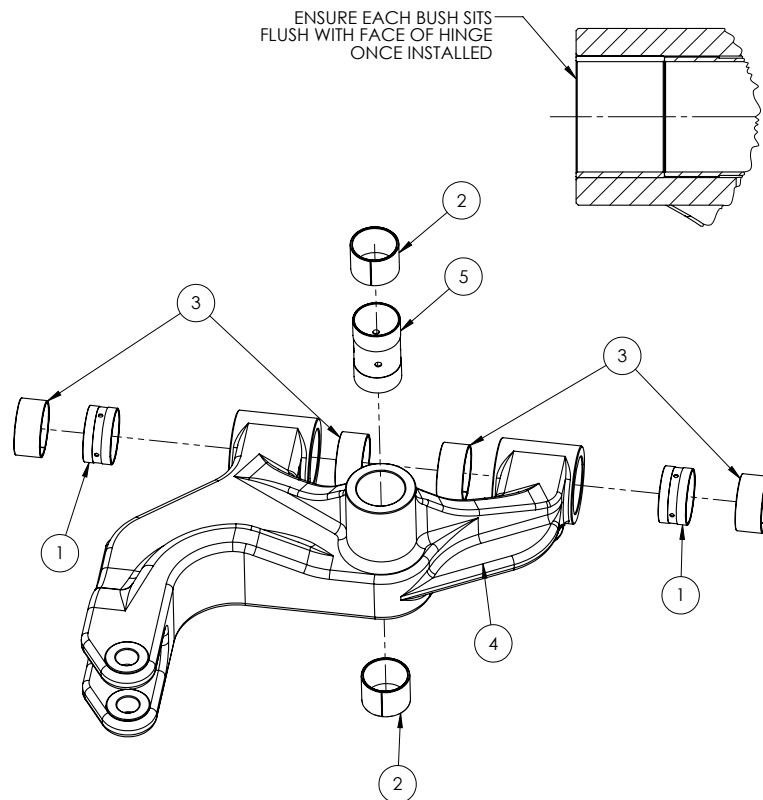
ITEM NO.	PART NUMBER	DESCRIPTION	QTY.
16	GA4600620	PIN, BOOM FOLD PIVOT, 50mm OD, FABRICATED	2
17	GA4500975	PLATE, SHIM, FOLD CYLINDER, 48M BOOM	4
18	GA4500976	PLATE, SHIM, 10mm, FOLD CYLINDER, 48M BOOM	2
19	GA5000313	SHCS M12 X 35 GR12.9 ZP	2
20	GA0500081	SET SCREW M12 X 90 GR8.8, ZP	4
21	GA5011321	SET SCREW M20 COURSE X 50 GR8.8 ZP	2
22	GA5017681	WASHER 1 X 2 7G FLAT THIN SS	8
23	GA5000577	WASHER 12mm FLAT SS HD	24
24	GA5001741	WASHER 20mm FLAT SS HD	2
25	L073A	WASHER SUIT DRAWBAR PIN	2

48m - Boom Centre - RH Cast Hinge



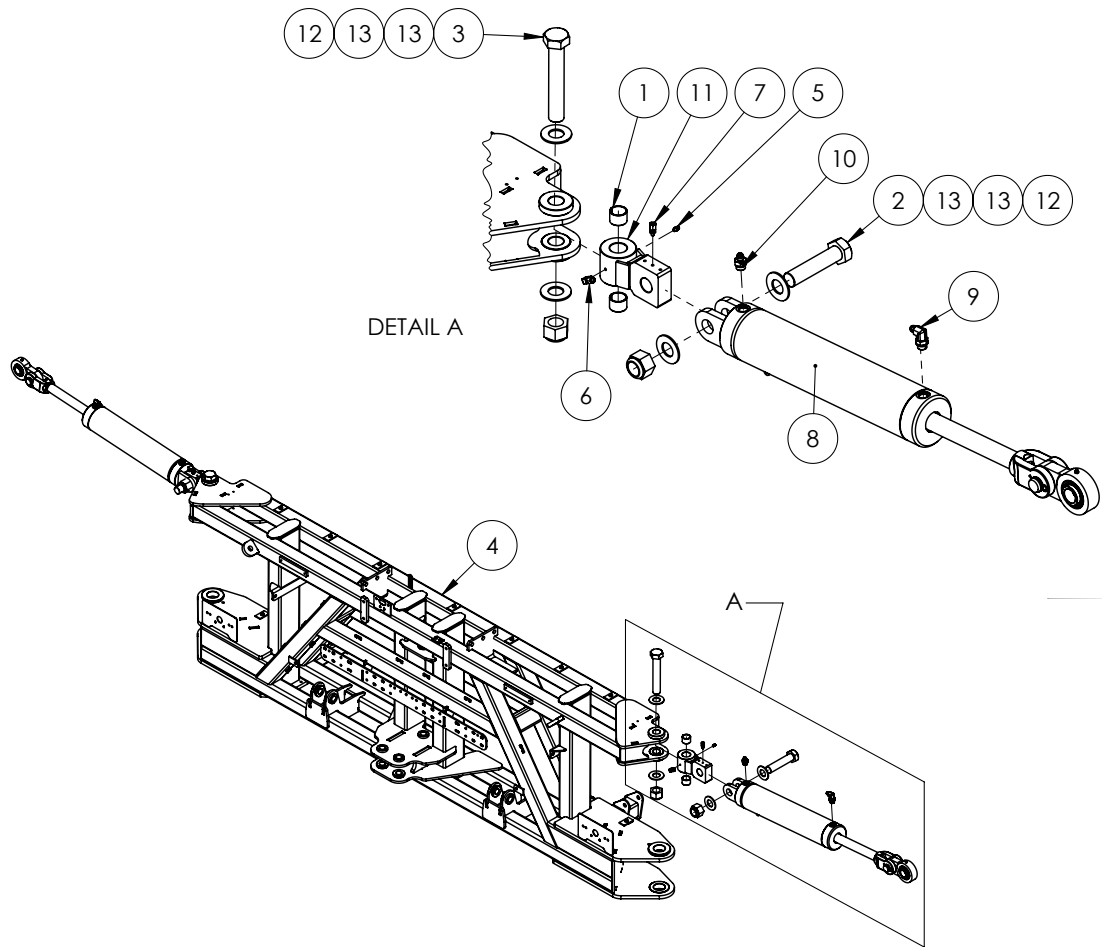
ITEM NO.	PART NUMBER	DESCRIPTION	QTY.
1	GA4551460	BUSH, BOOM MOUNT HINGE, 48M, GLACIER BUSH SPACER	2
2	GA1700012	BEARING, GLACIER BUSH, 50MM ID X 40MM LONG	2
3	GA1700011	BEARING, GLACIER BUSH, 60MM ID X 30MM LONG	4
4	GA4551455	BOOM MOUNT HINGE, RH, CAST, 48M BOOM	1
5	GA4551635	BUSH, BOOM MOUNT HINGE, FOLD AXIS, GLACIER BUSH SPACER	1

48m - Boom Centre - LH Cast Hinge



ITEM NO.	PART NUMBER	DESCRIPTION	QTY.
1	GA4551460	BUSH, BOOM MOUNT HINGE, 48M, GLACIER BUSH SPACER	2
2	GA1700012	BEARING, GLACIER BUSH, 50MM ID X 40MM LONG	2
3	GA1700011	BEARING, GLACIER BUSH, 60MM ID X 30MM LONG	4
4	GA4551450	BOOM MOUNT HINGE, LH, CAST, 48M BOOM	1
5	GA4551635	BUSH, BOOM MOUNT HINGE, FOLD AXIS, GLACIER BUSH SPACER	1

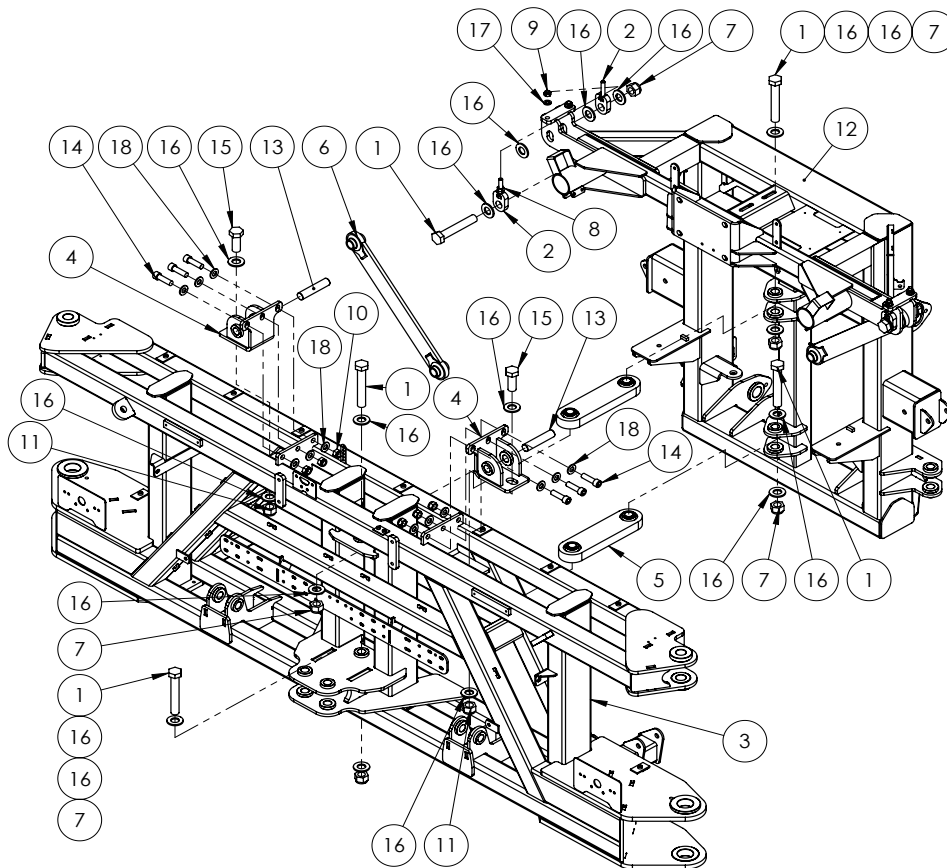
48m - Boom Centre - Tilt Rams



ITEM NO.	PART NUMBER	DESCRIPTION	QTY
1	GA5073725	BEARING, GLACIER BUSH, I 13/32" OD X I 1/4" ID X I" LONG	4
2	GA0500073	BOLT, I 1/4" X 5 1/2" UNC, ZP, GR8	2
3	GA0500138	BOLT, I 1/4" X 7 1/2" UNC, ZP, GR8	2
4	GA4600601	CENTRE SECTION, 36M - 48M BOOM, MY20	1
5	GA5050450	GREASE NIPPLE, 6MM	2
6	GA5069995	GREASE FITTING, ELBOW 90 DEGREE, LINE CONNECTOR 6MM	2
7	GA5069985	GREASE FITTING, LINE CONNECTOR, STRAIGHT 6MM	2
8	GA3500835	HYDRAULIC CYLINDER, BORE 4", ROD 1.5", STROKE 300MM (UP TO S/N 204032)	2
	GA3501852	HYDRAULIC CYLINDER, BORE 5", ROD 2.0", STROKE 300MM (FROM S/N 204098)	2
9	GA3500700	HYDRAULIC ADAPTOR, ELBOW, 90 DEGREE, 9/16" JIC MALE X 3/4" UN MALE O-RING, S91-0912	2
10	GA3500147	HYDRAULIC ADAPTOR, NIPPLE, 9/16" JIC MALE X 3/4" UN MALE O-RING, S90-0912	2
11	GA4602930	KNUCKLE, CENTRE SECTION, TILT CYLINDER, TRITECH, MY20	2
12	GA0500071	NUT, I 1/4", NYLOC, ZP, UNC	4
13	GA0500072	WASHER, I 1/4", FLAT, OD 66 X ID 33.3 X 5MM, ZP	8

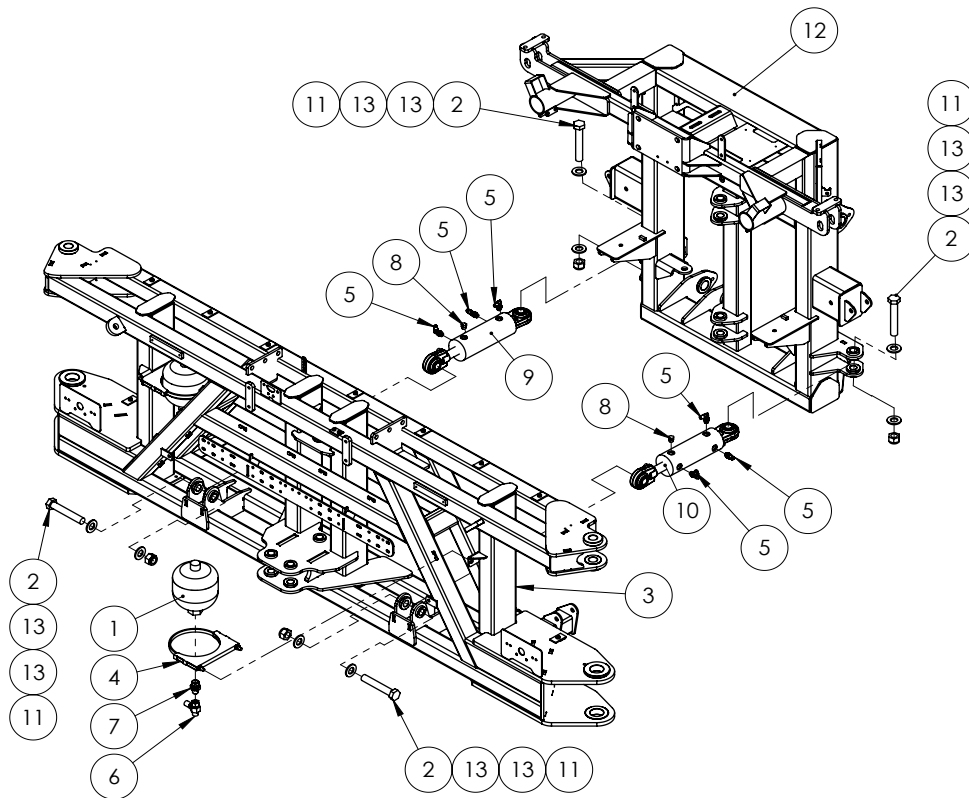
^ See Chapter 18 'Hydraulics' for sub-assembly

48m - Boom Centre - Delta Links



ITEM NO.	PART NUMBER	DESCRIPTION	QTY.
1	GA4683145	BOLT 1 UNC X 6 CUT DOWN FROM 7	6
2	GA4656260	ADJUSTER BOLT, DELTA LINK HANGER	4
3	GA4600601	CENTRE SECTION, 36M - 48M BOOM, MY20	1
4	GA4600605	DELTA LINK MOUNT, CENTRE SECTION, 48M BOOM	2
5	GA5067855	DELTA LINK, SHORT, HEAVY DUTY	2
6	GA4656240	DELTA LINK, LONG	2
7	GA5012439	NUT 1 UNC NYLOC ZP	6
8	GA5000559	NUT M12 HEX ZP	4
9	GA5012461	NUT M12 NYLOC ZP	4
10	GA5001029	NUT M16 NYLOC ZP	6
11	GA5012446	NUT 1 UNF 12 TPI NYLOC ZP	2
12	GA4600630	PARALIFT REAR, 48M BOOM	1
13	GA4550495	PIN, DELTA LINK CENTRE SECTION MOUNT, 1" OD X 120MM LONG	2
14	GA5003687	SHCS M16 X 55 GR12.9 ZP	6
15	GA0500027	SET SCREW, 1" X 2 1/2" UNF 12 TPI, ZP	2
16	GA5017681	WASHER 1 X 2 7G FLAT THIN SS	20
17	GA5000577	WASHER 12MM FLAT SS HD	4
18	GA5001043	WASHER 16MM FLAT SS HD	12

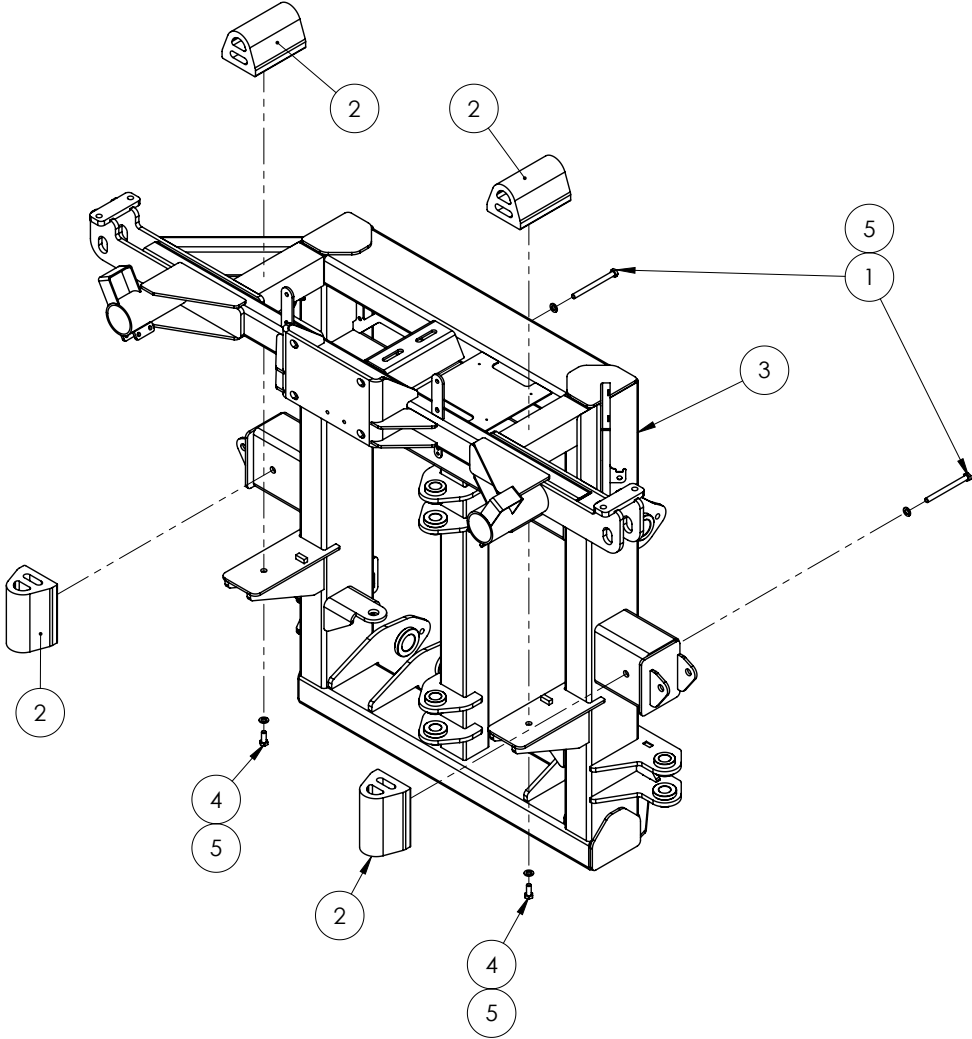
48m - Boom Centre - Yaw



ITEM NO.	PART NUMBER	DESCRIPTION	QTY.
1	GA3500021	ACCUMULATOR, 2L, 90 BAR PRE CHARGE, SUIT 42M YAW	2
2	GA4683145	BOLT 1 UNC X 6 CUT DOWN FROM 7	4
3	GA4600601	CENTRE SECTION, 36m - 48m BOOM, MY20	1
4	GA5070025	EXHAUST CLAMP - 7"	2
5	GA3500347	HYDRAULIC ADAPTOR, ELBOW, 90 DEGREE, 1/4" BSPT MALE X 9/16" UN MALE O-RING	6
6	GA3500198	HYDRAULIC ADAPTOR, INLINE TEST POINT, 1/2" BSPP FEMALE SWIVEL X 1/2" BSPT MALE X M16 X 2.0 TEST PORT	2
7	GA3500312	HYDRAULIC ADAPTOR, NIPPLE, 1/2" BSPT MALE X 3/4" BSPP MALE	2
8	GA3500380	HYDRAULIC ADAPTOR, PLUG, 9/16" UN MALE ORING, S97-09	2
9	GA5060818	HYDRAULIC YAW CYLINDER LARGE 3" WITH BALL ENDS	1
10	GA5060818	HYDRAULIC YAW CYLINDER LARGE 3" WITH BALL ENDS	1
11	GA5012439	NUT 1" NYLOC UNC ZP	4
12	GA4600630	PARALIFT REAR, 48m BOOM	1
13	GA5017681	WASHER 1 X 2 7G FLAT THIN SS	8

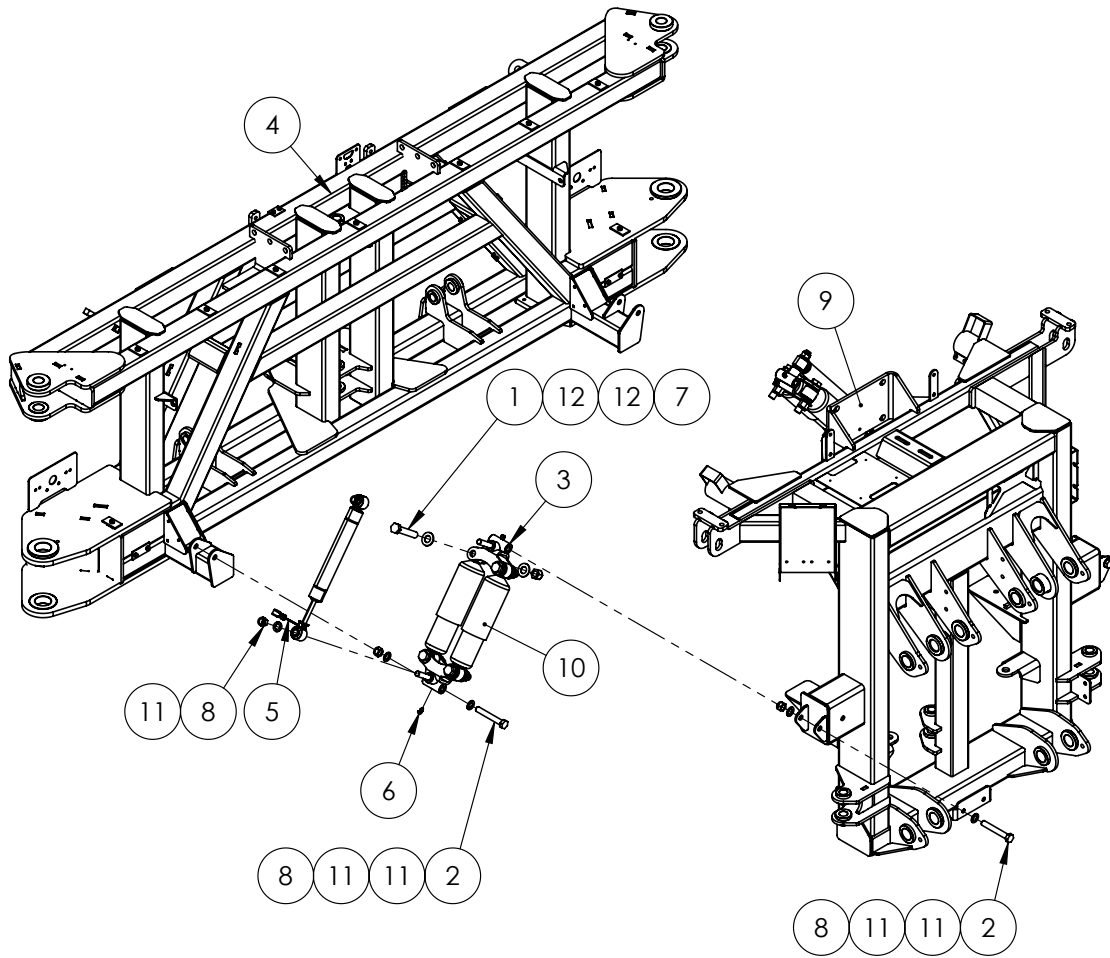
^ See Chapter 18 'Hydraulics' for sub-assembly

48m - Boom Centre - Bump Stops



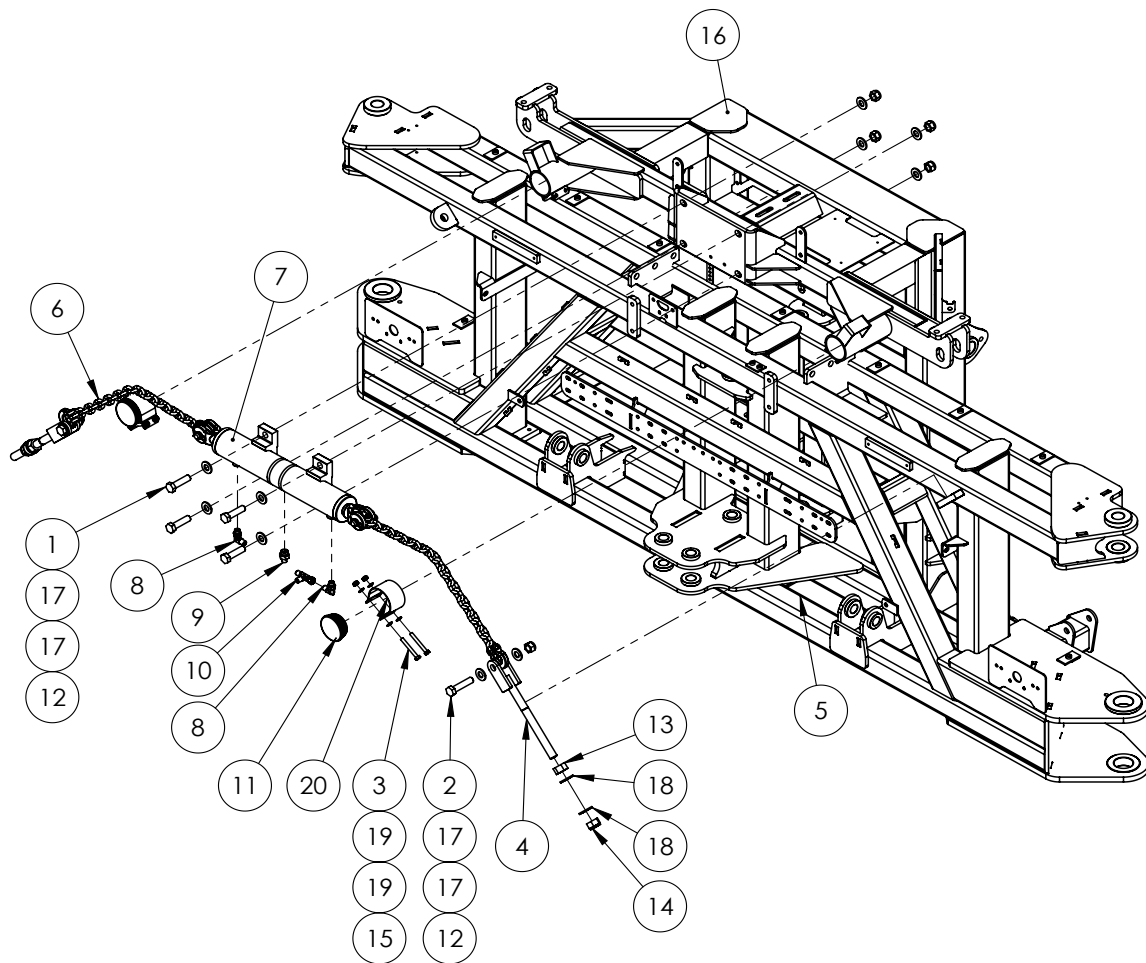
ITEM NO.	PART NUMBER	DESCRIPTION	QTY.
1	GA5011143	BOLT M10 X 120 GR8.8 ZP	2
2	GA5075240	BUMP STOP RUBBER WITH THREADED INSERT	4
3	GA4600630	PARALIFT REAR, 48m BOOM	1
4	GA5006161	SET SCREW M10 X 25 GR8.8 ZP	2
5	GA5000117	WASHER 10mm FLAT SS HD	4

48m - Boom Centre - Roll Shockers



ITEM NO.	PART NUMBER	DESCRIPTION	QTY.
1	GA5049490	BOLT 3/4 UNC X 4 GR8 ZP	8
2	GA5000855	BOLT M16 X 110 GR8.8 ZP	4
3	GA4602475	CENTRE ROLL SHOCKER MOUNT WITH RAVEN XRT VARIABLE DAMPER MOUNT	4
4	GA4600601	CENTRE SECTION, 36M - 48M BOOM, MY20	1
5	GA3000379	DAMPER, MR, RAVEN XRT, VARIABLE, MAGNETO-RHEOLOGICAL, 6" STROKE, 13141000001	2
6	GA5009637	GREASE NIPPLE, ELBOW, 90 DEGREE, 1/4 UNF MALE, MACH0207	4
7	GA5048430	NUT 3/4 UNC NYLOC ZP	8
8	GA5001029	NUT M16 NYLOC ZP	8
9	GA4600630	PARALIFT REAR, 48M BOOM	1
10	GA5015139	SHOCK ABSORBER, DOUBLE EYE, 19MM EYE, 82MM OD, BLACK	4
11	GA5001055	WASHER 16MM FLAT SS	12
12	GA5001045	WASHER 3/4 FLAT ZP	16

48m - Boom Centre - Level

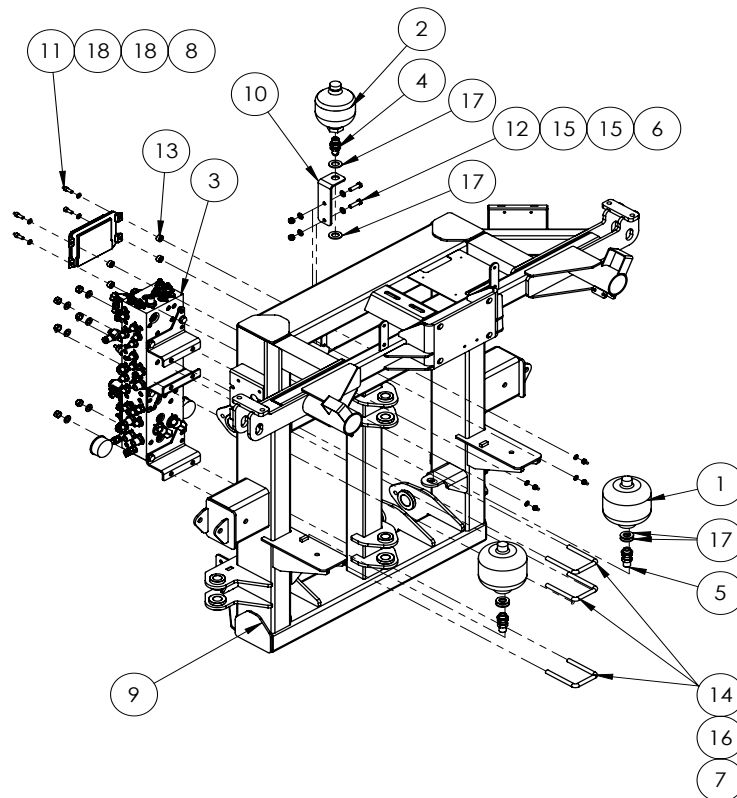


ITEM NO.	PART NUMBER	DESCRIPTION	QTY.
1	GA5000941	BOLT M16 X 60 GR8.8 ZP	4
2	GA5000949	BOLT M16 X 70 GR8.8 ZP	2
3	GA5052710	BOLT M8 X 65 GR 8.8 ZP	4
4	GA5020320	CABLE ADJUSTER 20mm THREADED	2
5	GA4600601	CENTRE SECTION, 36m - 48m BOOM, MY20	1
6	GA0500096	CHAIN ASSEMBLY, CENTRE LEVEL, 570mm EYE TO EYE, 8mm WITH EYELETS	2
7	GA3500477	HYDRAULIC CYLINDER, CENTRE LEVEL 2016	1
8	GA3500347	HYDRAULIC ADAPTOR, ELBOW, 90 DEGREE, 1/4" BSPT MALE X 9/16" UN MALE O-RING	2
9	GA3500359	HYDRAULIC ADAPTOR, NIPPLE, 1/4" BSPT MALE X 3/4" UN MALE O-RING, S93-0412	1
10	GA3500199	HYDRAULIC ADAPTOR, TEE, 1/4 BSPT MALE X 1/4 BSPT MALE X 1/4 BSPP FEMALE, S167-040404	1
11	GA5050355	INSERT TO SUIT 65NB TUBE	2
12	GA5001029	NUT M16 NYLOC ZP	6
13	GA5001709	NUT M20 COARSE ZP	2

48m - Boom Centre - Level

ITEM NO.	PART NUMBER	DESCRIPTION	QTY.
14	GA5048125	NUT M20 NYLOC COARSE ZP	2
15	GA5052590	NUT M8 NYLOC SS	4
16	GA4600630	PARALIFT REAR, 48m BOOM	1
17	GA5001043	WASHER 16mm FLAT SS HD	12
18	GA5001741	WASHER 20mm FLAT SS HD	4
19	GA5003643	WASHER 8mm FLAT SS HD	8
20	GA4506750	WEAR STRIP SS FOR CENTRE LEVELING CABLES	2

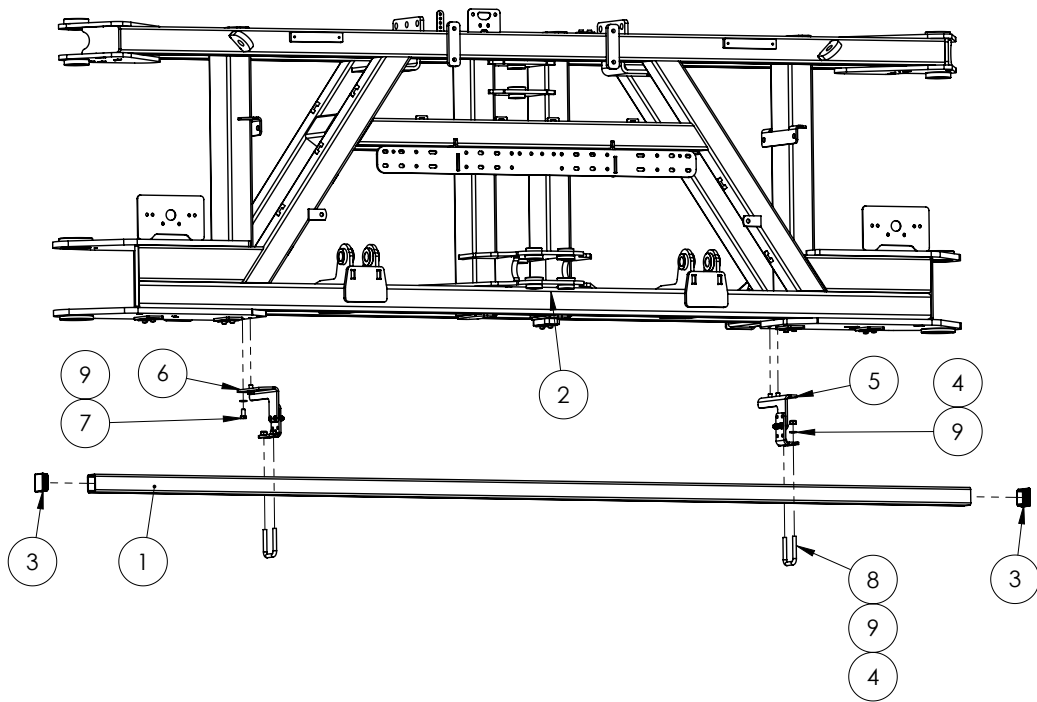
48m - Boom Centre - Hydraulic Control Manifold



ITEM NO.	PART NUMBER	DESCRIPTION	QTY.
1	GA5007787	ACCUMULATOR 1.0L PRECHARGE 70 BAR	2
2	GA3501087	HYDRAULIC ACCUMULATOR, 0.6L, 90 BAR PRECHARGE, HYDAC	1
3	GA4908670	HYDRAULIC CONTROL MANIFOLD ASSEMBLY, 48M BOOM	1
4	GA3500717	HYDRAULIC ADAPTOR, BULKHEAD NIPPLE, 1/2" BSP MALE X 3/4" JIC MALE, SI30P-0812	1
5	GAS99-603	HYDRAULIC ADAPTOR, NIPPLE, 1/2" BSP MALE X 1/2" BSP MALE	2
6	GA5000141	NUT M10 NYLOC ZP	2
7	GA5012461	NUT M12 NYLOC ZP	6
8	GA5004917	NUT M8 NYLOC ZP	4
9	GA4600630	PARALIFT REAR, 48m BOOM	1
10	GA4411685	PLATE, ACCUMULATOR MOUNT, 48M BOOM	1
11	GA5004707	SHCS M8 X 20 GR12.9 ZP	4
12	GA5006111	SET SCREW M10 X 35 GR8.8 ZP	2
13	GA4552830	SPACER- SEAT BASE SP 2011	4
14	GA5011259	U BOLT SQUARE TOP M12 X 76mm X 110mm	3
15	GA5000117	WASHER 10mm FLAT SS HD	4
16	GA5000577	WASHER 12mm FLAT SS HD	6
17	GA5001741	WASHER 20mm FLAT SS HD	6
18	GA5003643	WASHER 8mm FLAT SS HD	8
19	GA3000216	PLC, PROGRAMMABLE LOGIC CONTROLLER, SUIT 48M BOOM, HYDAC TTCONTROL	1

^ See Chapter 18 'Hydraulics' for sub-assembly

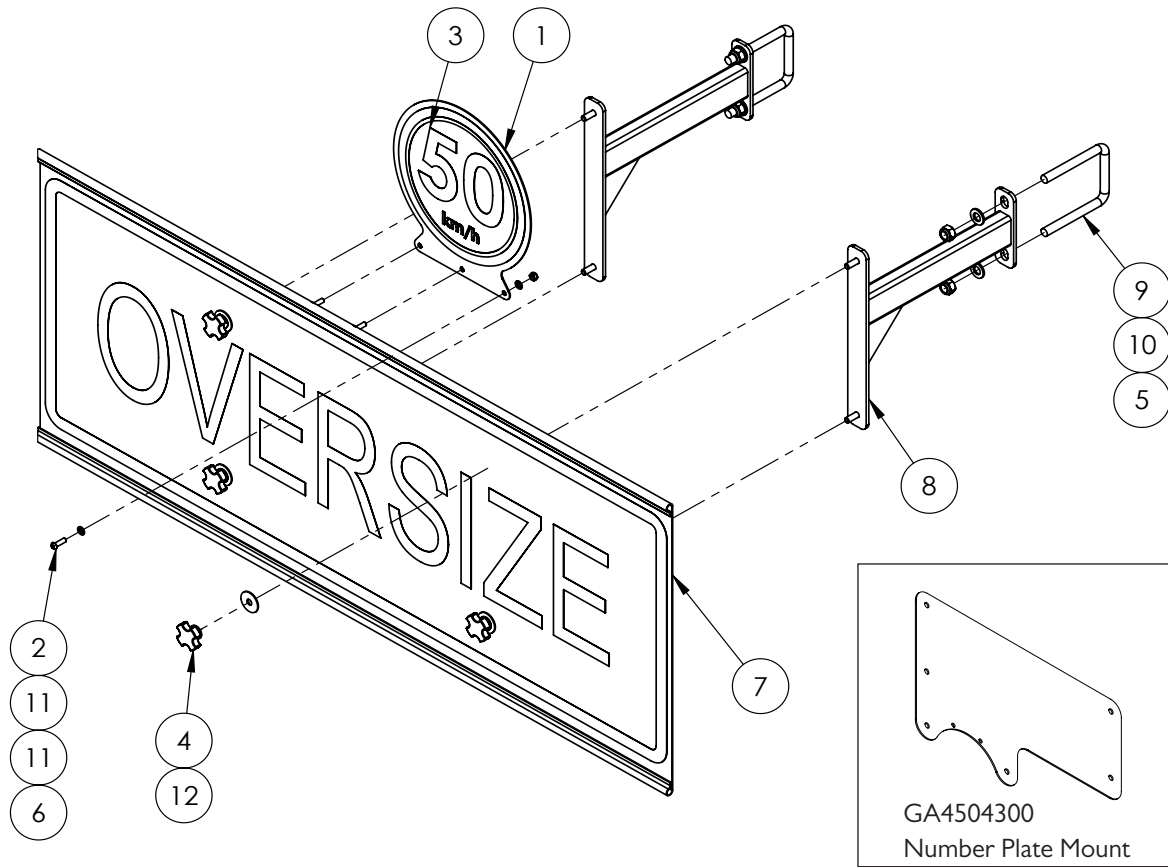
48m - Aluminium Spray Bar



ITEM NO.	PART NUMBER	DESCRIPTION	QTY.
1	GA5072175	ALUMINIUM SQUARE HOLLOW EXTRUSION, 50 X 50 X 3, RADIUS EDGE, RHS, 635 I T5, 7M	2.75
2	GA4600601	CENTRE SECTION, 36m - 48m BOOM, MY20	1
3	GA5003783	END CAP, PLASTIC, BLACK, INSERT, RHS. 50 X 50, 0.8 - 2.5mm WALL	2
4	GA5000141	NUT M10 NYLOC ZP	4
5	GA4953955	PRODUCTION DRAWING ONLY, NOZZLE GUARD MOUNTING, RIVX BOOM, CENTRE SECTION, LHS	1
6	GA4953960	PRODUCTION DRAWING ONLY, NOZZLE GUARD MOUNTING, RIVX BOOM, CENTRE SECTION, RHS	1
7	GA5006113	SET SCREW M10 X 20 GR8.8 ZP	4
8	GA5053645	U BOLT SQUARE TOP M10 X 52 X 75	2
9	GA5000117	WASHER 10mm FLAT SS HD	8

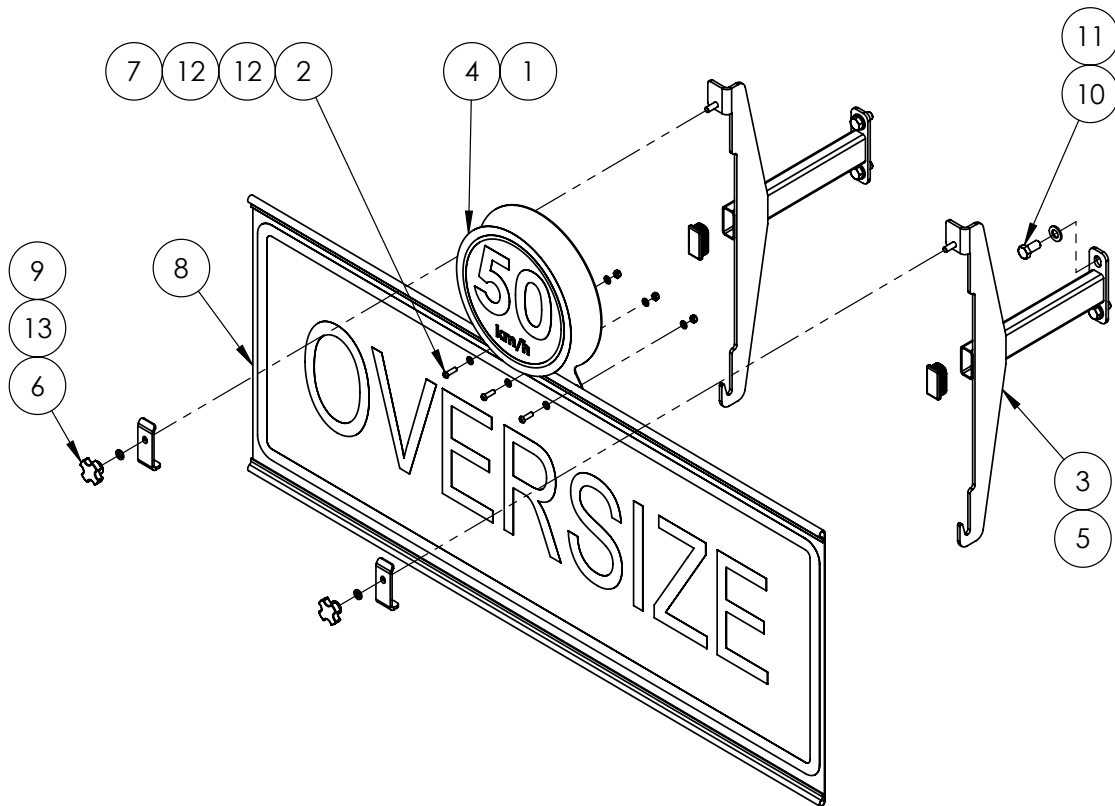
Oversize Sign (Old)

36-42 M CENTRE SHOWN



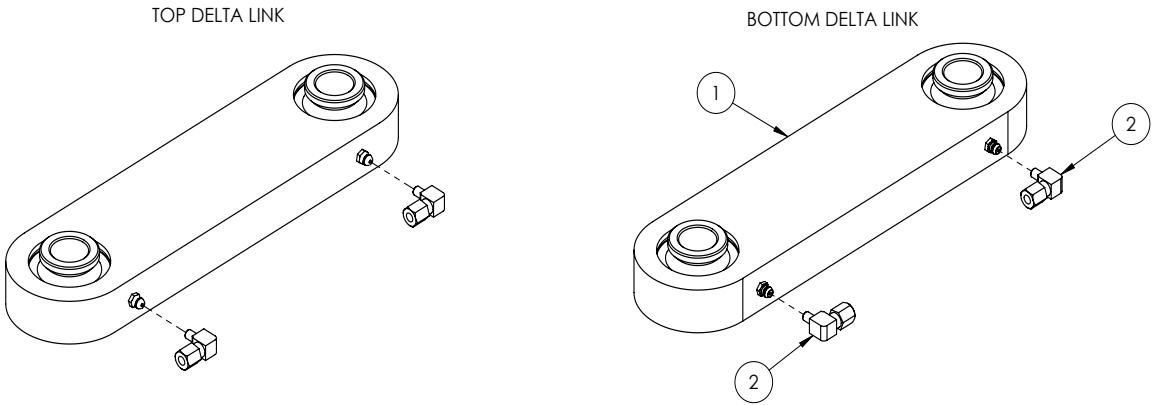
ITEM NO.	PART NUMBER	DESCRIPTION	QTY.
1	F70906A	PLATE, MAXIMUM ROAD SPEED WARNING STICKER, SUIT SP	1
2	GA5004053	BHCS M6 X 20 SS A2-70	3
3	GA5063830	DECAL, 50KPH SIGN	1
4	GA5069875	KNOB, STAR GRIP NUT, M8 X 40 DIAMETER	4
5	GA5012461	NUT M12 NYLOC ZP	4
6	GA5048115	NUT M6 NYLOC ZP	3
7	GA5009613	OVERSIZE SIGN, YELLOW, REFLECTIVE WITH FOLDED EDGES	1
8	GA4658150	BRACKET, OVERSIZE SIGN MOUNT ARM, BOLT ON, 2011 CENTRE	2
9	GA5011259	U BOLT SQUARE TOP M12 X 76MM X 110MM	2
10	GA5000577	WASHER 12MM FLAT SS HD	4
11	GA5004437	WASHER 6MM FLAT SS	6
12	GA5003645	WASHER 5/16 ID X 1 1/4 OD FLAT SS	4

Oversize Sign (New)



ITEM NO.	PART NUMBER	DESCRIPTION	QTY.
1	F70906A	50km/H STICKER HOLDER PLATE 1.6mm SS	1
2	GA5004053	BHCS M6 X 20 SS A2-70	3
3	GA4605053	BRACKET, OVERSIZE SIGN MOUNT	2
4	GA5063830	DECAL, 50km/H	1
5	GA5003733	END CAP, 50X25 RHS	2
6	GA5069875	KNOB-STAR GRIP M8 X 40 DIA	2
7	GA5048115	NUT M6 NYLOC ZP	3
8	GA5009613	OVERSIZE SIGN, YELLOW, REFLECTIVE WITH FOLDED EDGES	1
9	GA4000255	PLATE, OVERSIZE SIGN CLAMP	2
10	GA5011229	SET SCREW M12 X 25 GR8.8 ZP	4
11	GA5000577	WASHER 12mm FLAT SS HD	4
12	GA5004437	WASHER 6mm FLAT SS	6
13	GA5004919	WASHER M8 SPRING SS	2

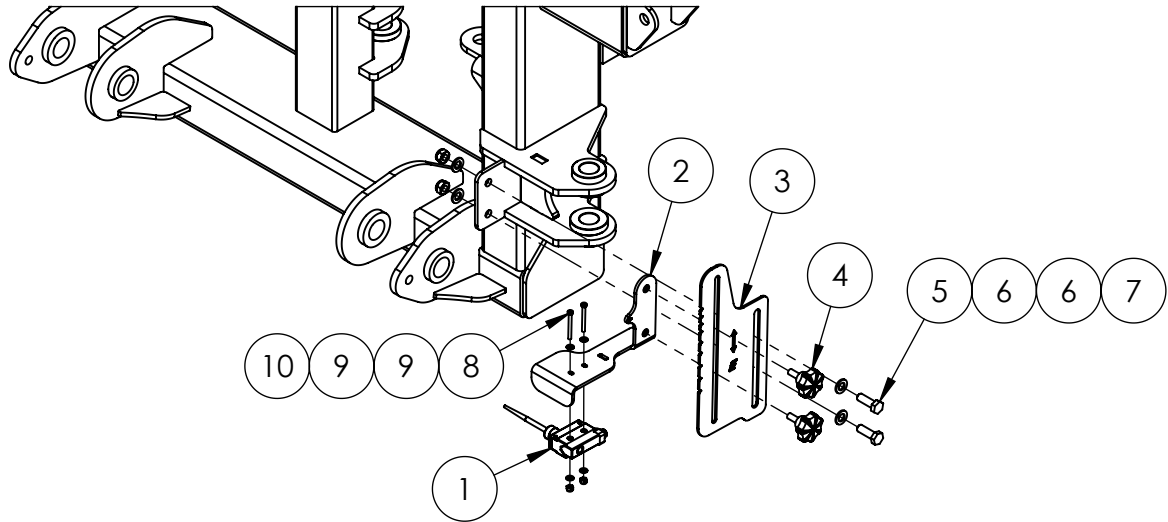
Delta Link - Short - 36-48m



NOTE:
 REMOVE GREASE NIPPLES SUPPLIED WITH DELTA LINK AND REPLACE WITH ITEM (2)

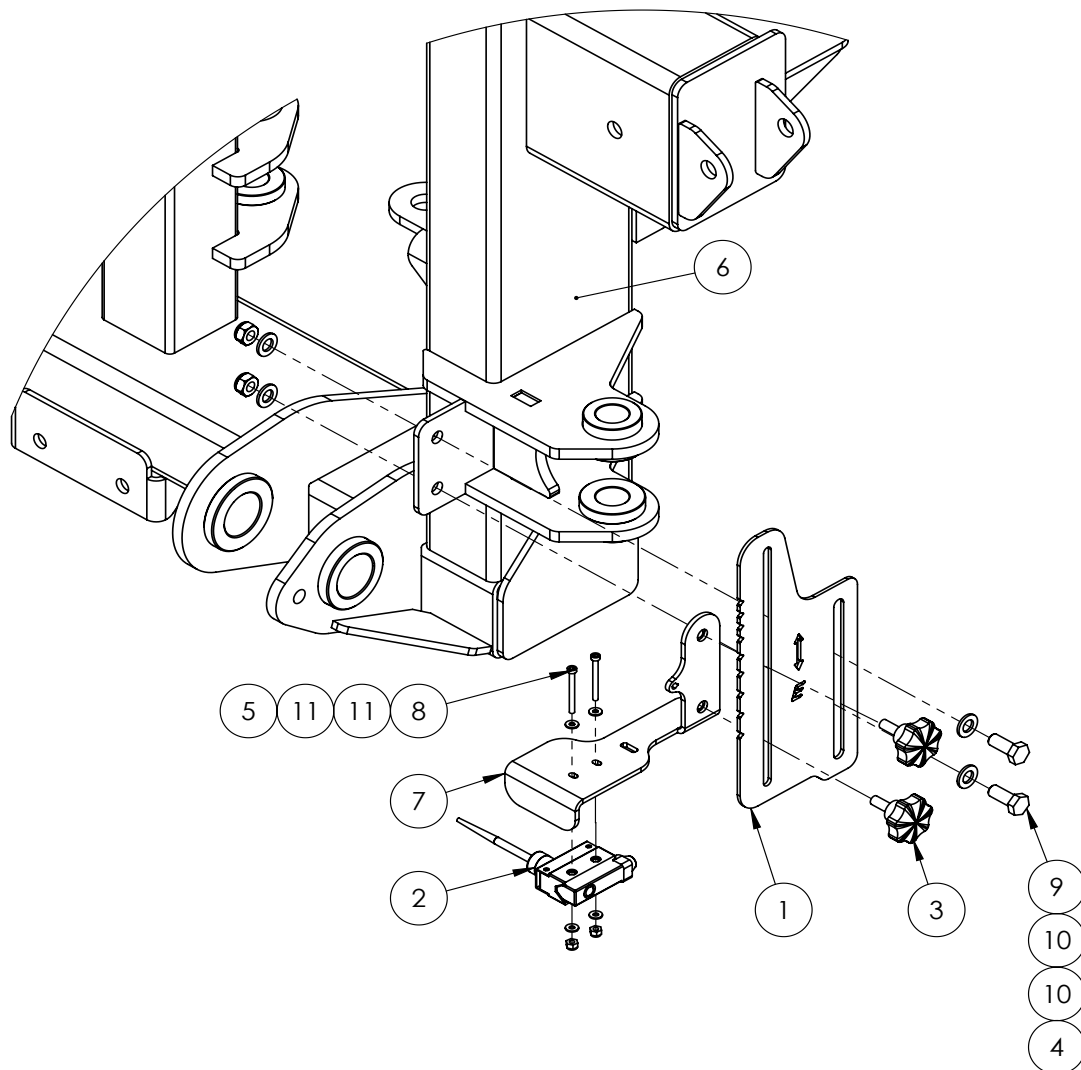
ITEM NO.	PART NUMBER	DESCRIPTION	QTY.
1	GA5067855	DELTA LINK, SHORT, HEAVY DUTY	1
2	GA5069995	GREASE FITTING LINE CONNECTOR ELBOW 6mm	2

Lower Limit Switch - 36-42m



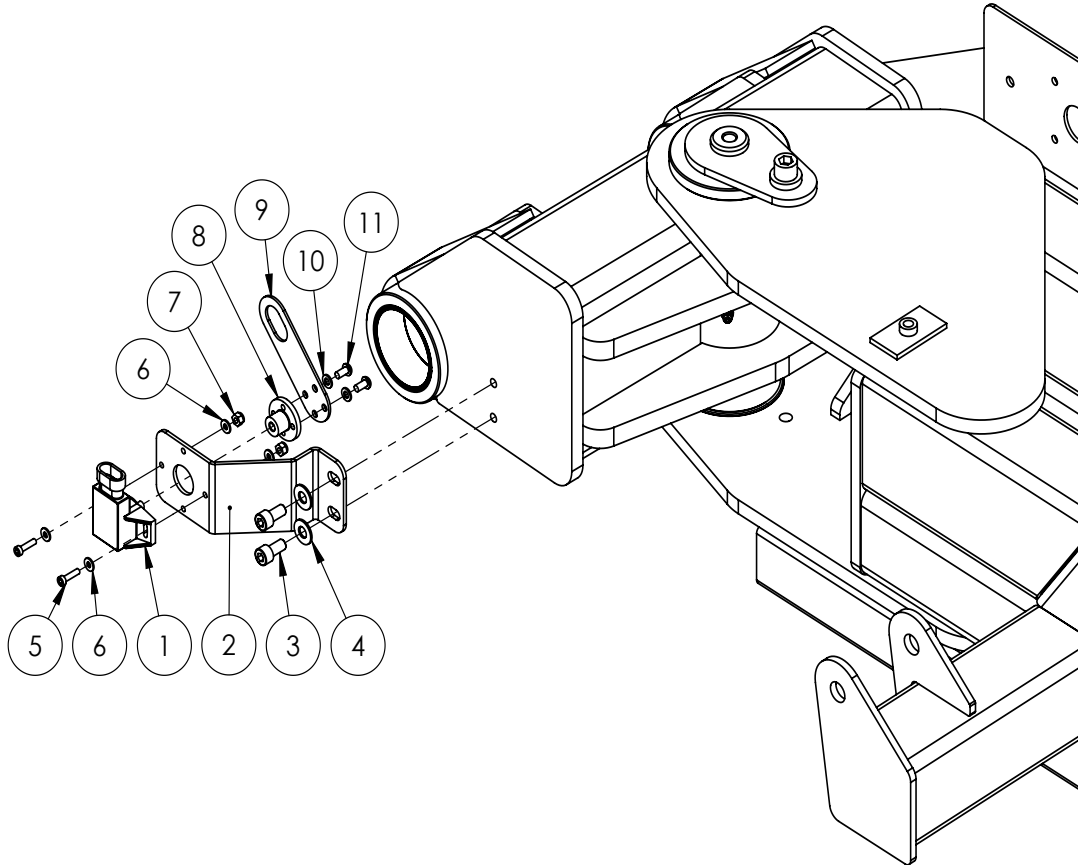
ITEM NO.	PART NUMBER	DESCRIPTION	QTY.
1	GA5012129	LIMIT SWITCH, FLEXIBLE ARM, MICRO, IP65, 10 AMP	1
2	GA4654161	BRACKET MOUNT PARALIFT SWITCH	1
3	GA4523965	EF EVO 2011 BOOM HEIGHT ADJUSTMENT BRACKET	1
4	GA5067080	KNOB BOLT M8 X 20	2
5	GA5065455	BOLT M10 X 30 GR8.8 ZP	2
6	GA5000117	WASHER 10MM FLAT SS HD	4
7	GA5051445	NUT M10 NYLOC SS	2
8	GA5049800	SHCS M4 X 40 GR12.9 ZP	2
9	GA5011361	WASHER 4MM FLAT ZP	4
10	GA5049025	NUT M4 NYLOC SS	2

Lower Limit Switch - 48m



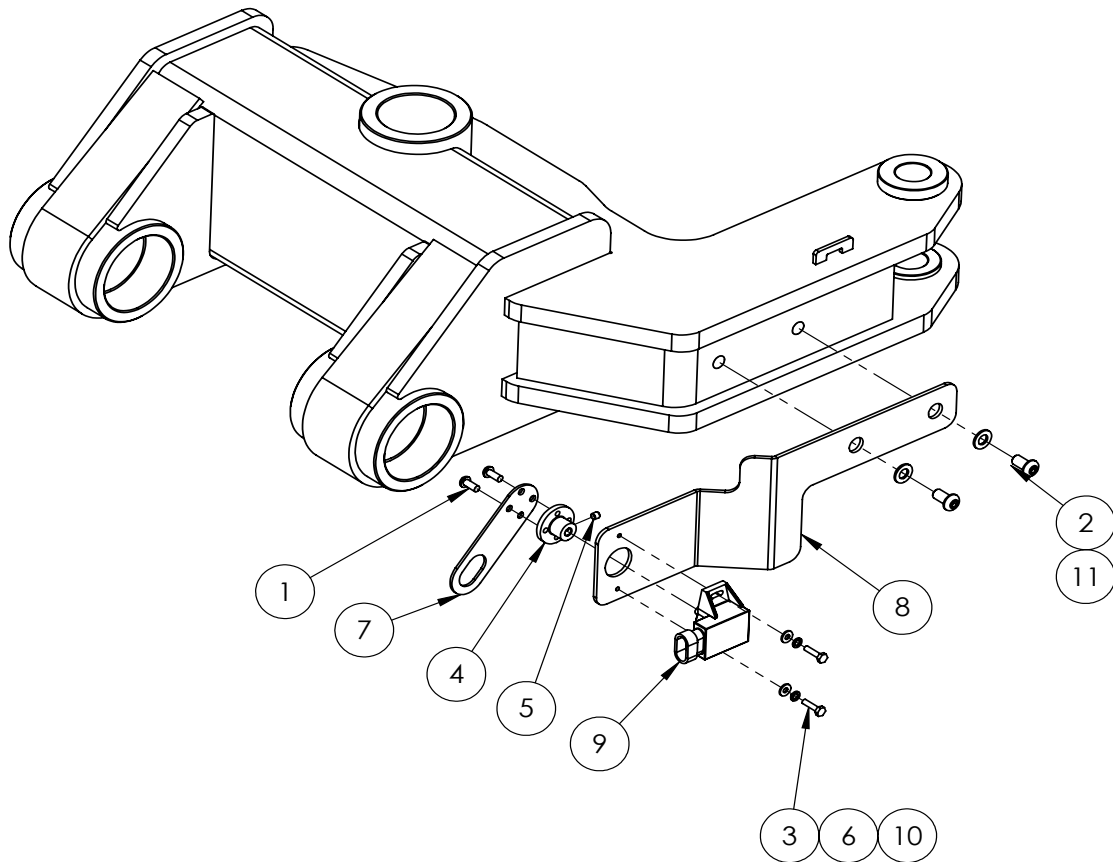
ITEM NO.	PART NUMBER	DESCRIPTION	QTY.
1	GA4523965	EF EVO 201 I BOOM HEIGHT ADJUSTMENT BRACKET	1
2	GA5012129	LIMIT SWITCH, FLEXIBLE ARM, MICRO, IP65, 10 AMP	1
3	GA5067080	M8 X 20mm PLASTIC KNOB BOLT	2
4	GA5051445	NUT M10 NYLOC SS	2
5	GA5049025	NUT M4 NYLOC SS	2
6	GA4600630	PARALIFT REAR, 48m BOOM	1
7	GA4654161	PARALIFT SWITCH BRACKET	1
8	GA5049800	SHCS M4 X 40 GR12.9 ZP	2
9	GA5006161	SET SCREW M10 X 25 GR8.8 ZP	2
10	GA5000117	WASHER 10mm FLAT SS HD	4
11	GA5020510	WASHER 4mm FLAT SS	4

Tilt Sensor - 48m (Front Mount)



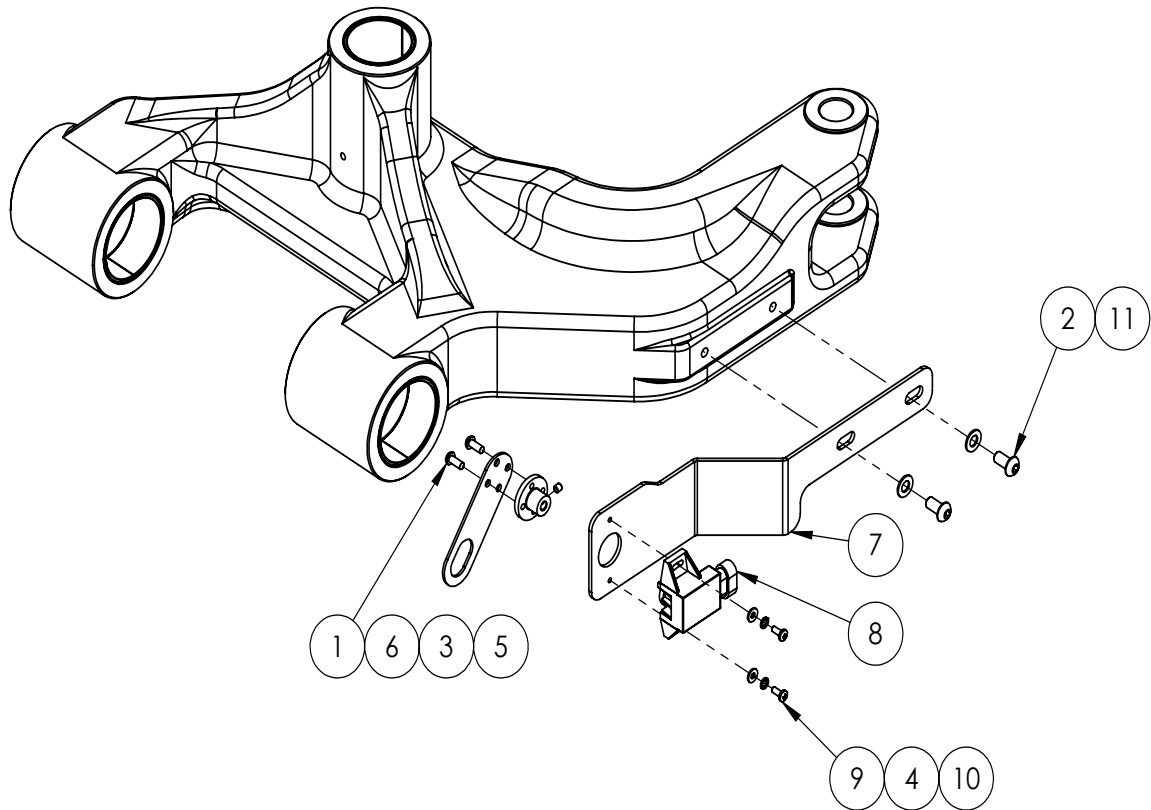
ITEM NO.	PART NUMBER	DESCRIPTION	QTY.
1	GA5069455	POTENTIOMETER, 60 DEGREE, ELOBAU, GATMC	1
2	GA4403655	PLATE, BRACKET, TILT SENSOR, 48M BOOM	1
3	GA5050690	SHCS M8 X 16 GR12.9 ZP	2
4	GA5003643	WASHER 8MM FLAT SS HD	2
5	GA5011363	SHCS M4 X 16 GR12.9 ZP	2
6	GA5020510	WASHER 4MM FLAT SS	4
7	GA5049025	NUT M4 NYLOC SS	2
8	GA4552855	BUSH, TILT SENSOR SWITCH, SP 201 I	1
	GA5069970	M5 GRUB SCREW X 5MM LONG S/S	
9	GA4403660	PLATE, GUIDE, TILT SENSOR, 48M BOOM	1
10	GA5003983	WASHER 5MM FLAT SS	1
11	GA0500092	BHCS M5 x 12 GR12.9 ZP	2

Tilt Sensor, MY20 - 48m - (Fabricated - Rear Mount)



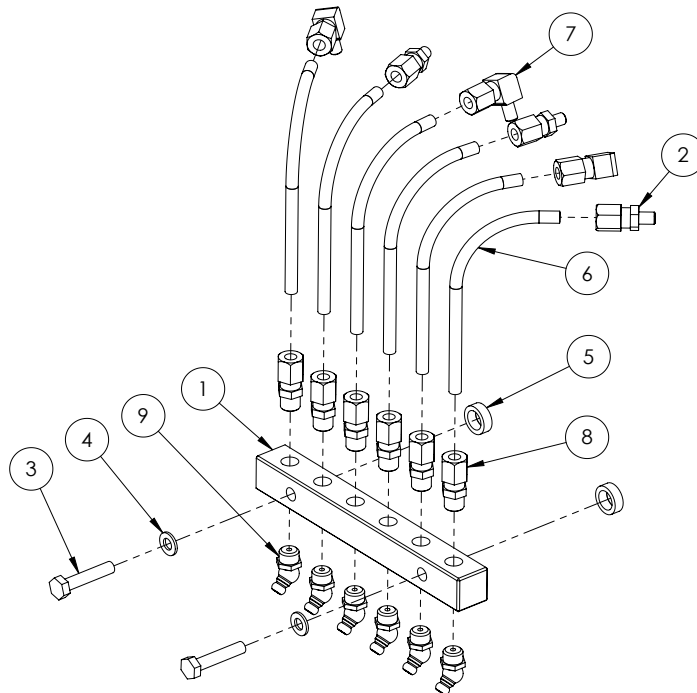
ITEM NO.	PART NUMBER	DESCRIPTION	2QTY.
1	GA0500092	BHCS M5 X 12 GR12.9 ZP	2
2	GA5004696	BHCS M8 X 16 SS A2-70	2
3	GA5051040	BOLT M4 X 16 SS A2-70	2
4	GA4552855	BUSH, TILT SENSOR SWITCH, SP 201 I	1
5	GA5069970	M5 GRUB SCREW X 5MM LONG S/S	1
6	GA5011373	WASHER 4MM SPRING ZP	2
7	GA4403660	PLATE, GUIDE, TILT SENSOR, 48M BOOM	1
8	GA4406355	PLATE, TILT SENSOR MOUNT BRACKET, LH, MY20	1
9	GA5069455	POTENTIOMETER, 60 DEGREE, ELOBAU, GATMC	1
10	GA5020510	WASHER 4MM FLAT SS	2
11	GA5003651	WASHER 8MM FLAT SS	2

Tilt Sensor, MY20 - 48m (Cast Hinge)

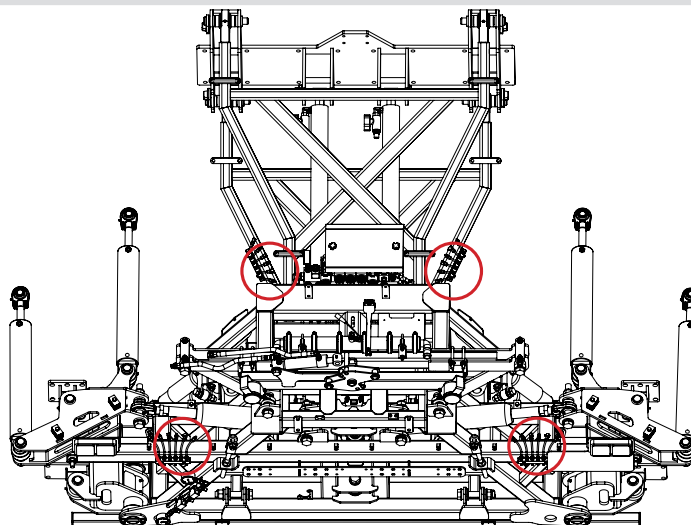


ITEM NO.	PART NUMBER	DESCRIPTION	2QTY.
1	GA0500092	BHCS M5 X 12 GR12.9 ZP	2
2	GA5004696	BHCS M8 X 10 SS A2-70	2
3	GA4552855	BUSH, TILT SENSOR SWITCH, SP 201 I	1
4	GA5011373	M4 SPRING WASHER SS	2
5	GA5069970	M5 GRUB SCREW X 5mm LONG S/S	1
6	GA4403660	PLATE, GUIDE, TILT SENSOR, 48m BOOM	1
7	GA4414575	PLATE, TILT SENSOR MOUNT BRACKET, LH, MY20	1
8	GA5069455	POTENTIOMETER, 60 DEGREE, ELOBAU, GATMC	1
9	GA5011360	SCREW PAN HEAD M4 X 10 SS A2-70	2
10	GA5020510	WASHER 4mm FLAT SS	2
11	GA5003651	WASHER M8 FLAT SS	2

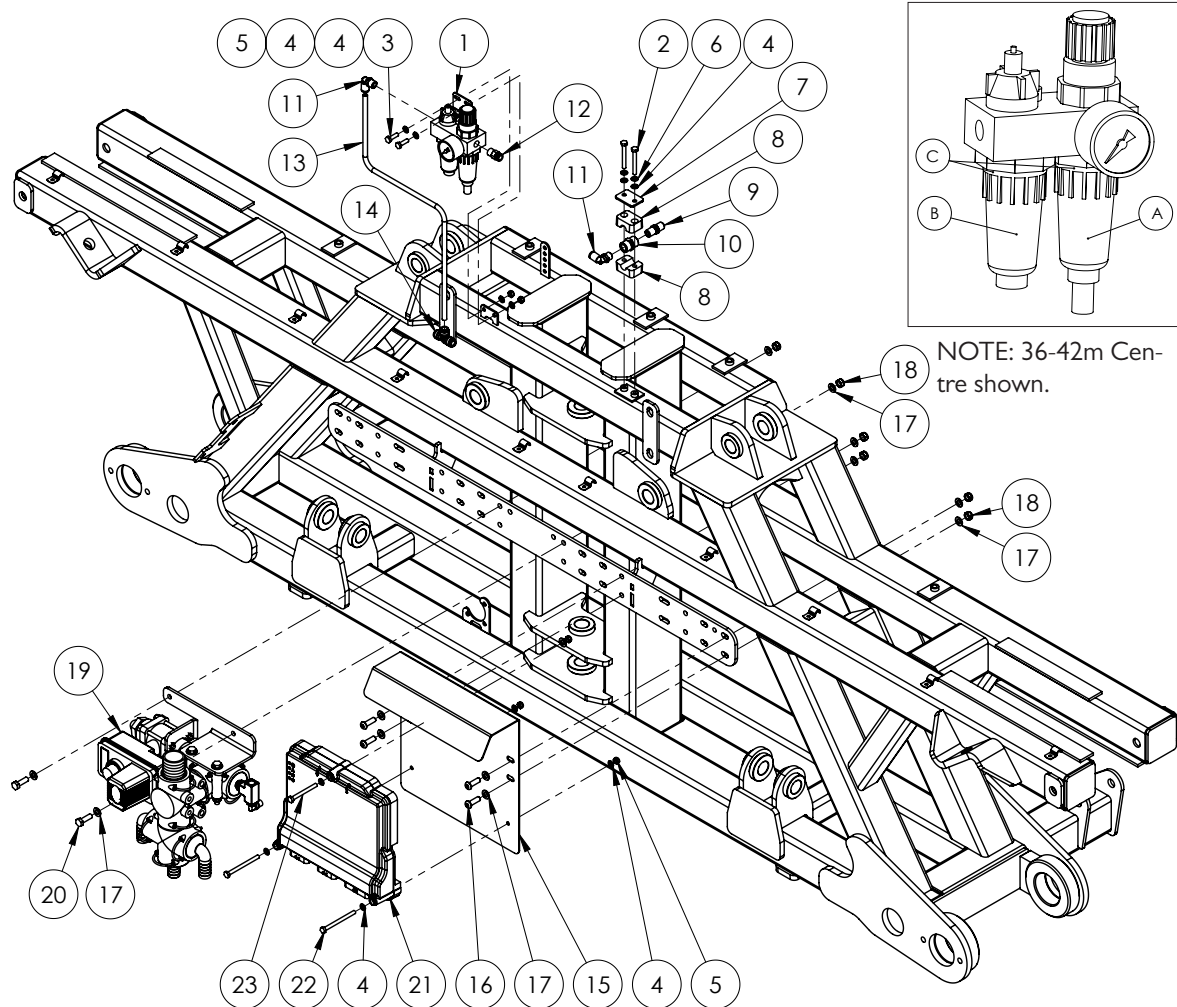
Manual Grease Station



ITEM NO.	PART NUMBER	DESCRIPTION	QTY.
1	GA5070000	GREASE FITTING HEADER BLOCK 6 WAY, INC. 6MM LINE ADAPTORS AND STRAIGHT GREASE NIPPLES AND PLUGS	1
2	GA5069985	GREASE FITTING, LINE CONNECTOR, STRAIGHT 6MM	3
3	GA5004079	SET SCREW M6 X 30 GR8.8 ZP	2
4	GA5004437	WASHER 6MM FLAT SS	2
5	GA4552080	CRUSH TUBE, 10.2 ID X 15 OD X 5 LONG	2
6	GA5070005	GREASE LINE 6MM PRE FILLED (50M/ROLL)	
7	GA5069995	GREASE FITTING, ELBOW 90 DEGREE, LINE CONNECTOR 6MM	3
8	GA5055225	PNEUMATIC FITTING, STRAIGHT ADAPTOR, 1/8 BSP MALE THREAD X NUT RETAINER SUIT 6 MM TUBE	6
9	GA5055125	GREASE NIPPLE 45 DEGREE 1/8 GAS THREAD ZP	6



RapidFire Components - 36-42m



NOTE: Item 15 GA4404570 x 2 If optioned with Raven XRT

ITEM NO.	PART NUMBER	DESCRIPTION	QTY.
A	GA5054620	BOWL C/W DRAIN, SUIT AIR DRYER / OILER GA5068806	1
B	GA5054625	BOWL LUBRICATOR SUIT AIR DRYER / OILER GA5068806	1
C	GA5071805	O RING SEAL, 33X2, SUITS GA5068806 PNEUMATIC AIR LINE OILER RESERVOIR	-
1	GA5068806	PNEUMATIC, AIR, MINI FILTER OILER AND REGULATOR, 1/4" BSP	1
2	GA5004091	BOLT M6 X 50 GR8.8 ZP	2
3	GA5004065	BOLT M6 X 20 GR8.8 ZP	2
4	GA5004437	WASHER 6MM FLAT SS	11
5	GA5048115	NUT M6 NYLOC ZP	5
6	GA5004447	WASHER 6MM SPRING SS	2
7	GA5078068	MOUNTING CLAMP, SINGLE TYPE, PLATE, TOP, GROUP 2, RCS-2PT	1
8	GA5078058	MOUNTING CLAMP, SINGLE TYPE, JAW, PAIR, GROUP 2, 14MM, RCS-14J	2

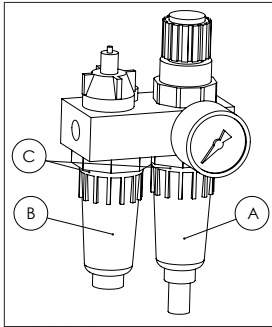
* Continue Over Page

RapidFire Components - 36-42m

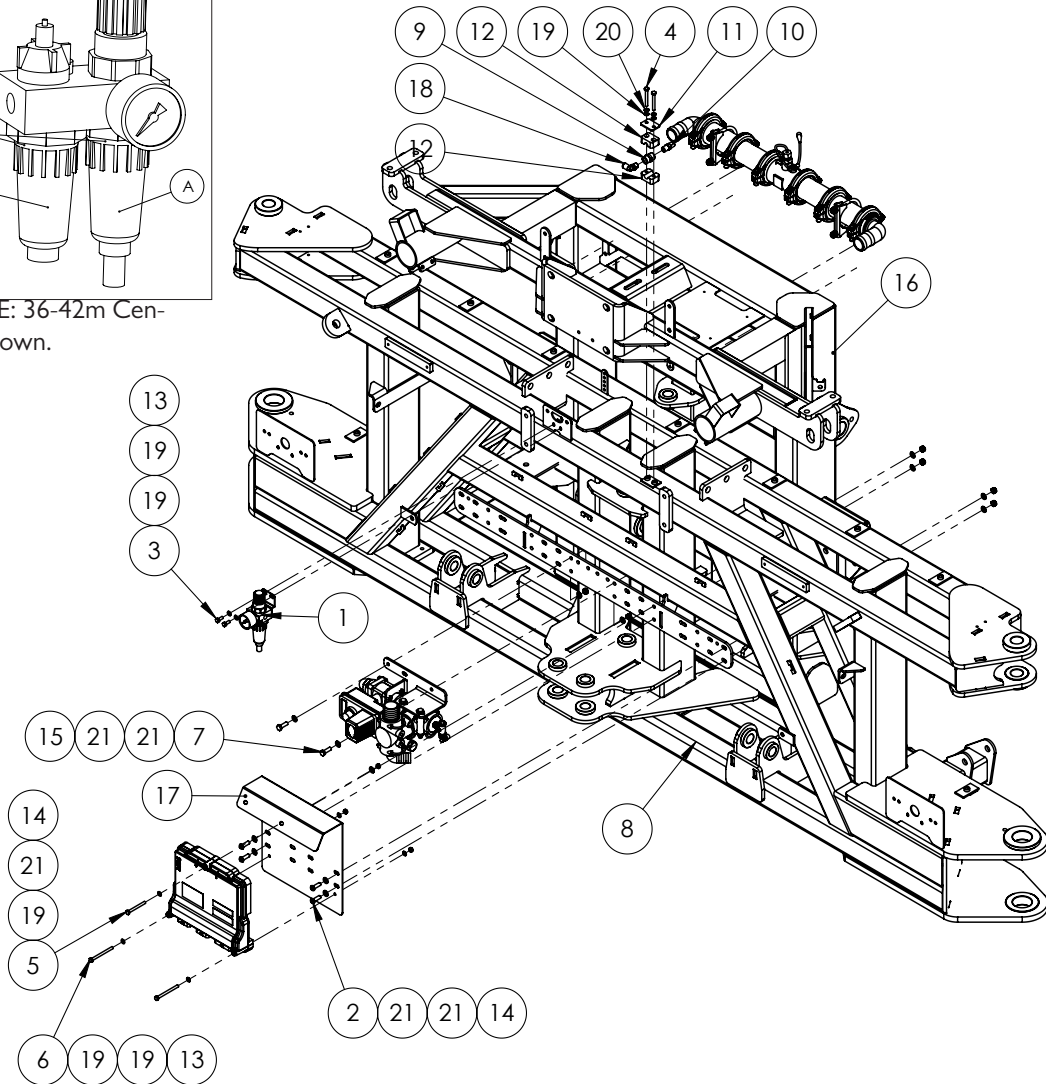
ITEM NO.	PART NUMBER	DESCRIPTION	QTY.
9	GA3500218	HYDRAULIC ADAPTOR, NIPPLE, 1/4" BSPT MALE X 1/4" BSPT MALE, S27-0404	1
10	GA3500211	HYDRAULIC ADAPTOR, SOCKET, 1/4" BSPT FEMALE X 1/4" BSPT FEMALE, S26-0404	1
11	GA5052690	PNEUMATIC FITTING, ELBOW, 90 DEGREE, 1/4 BSP MALE X 8MM PUSH TYPE, METAL	2
12	GA5052695	STRAIGHT ADAPTOR, PUSH IN, 8MM X 1/4 BSP	1
13	GA5004382	TUBE, NYLON, 8MM, BLACK	1
14	GA5067010	TEE, EQUAL, 8MM PUSH IN TYPE, BLACK PLASTIC	1
15	GA4404570	PLATE, MOUNT, RCM NODE	1
16	GA5011473	BHCS M8 X 25 SS A2-70	4
17	GA5003643	WASHER 8MM FLAT SS HD	13
18	GA5052590	NUT M8 NYLOC SS	6
19	*	FLOW DISTRIBUTER & BOOM RECIRCULATION VALVE ASSEMBLY 36-42M & 48M	1
20	GA5004711	BOLT M8 X 25 GR8.8 ZP	2
21	GA3000202	NODE, RCM, ISOBUS, RATE CONTROL MODULE, GOLDACRES, RAVEN, 063-0173-942	1
22	GA5011437	BOLT M6 X 75 GR8.8 ZP	2
23	GA5004097	BOLT M6 X 60 GR8.8 ZP	1

* See Chapter 'Plumbing' for sub-assembly.

RapidFire Components - 48m



NOTE: 36-42m Centre shown.



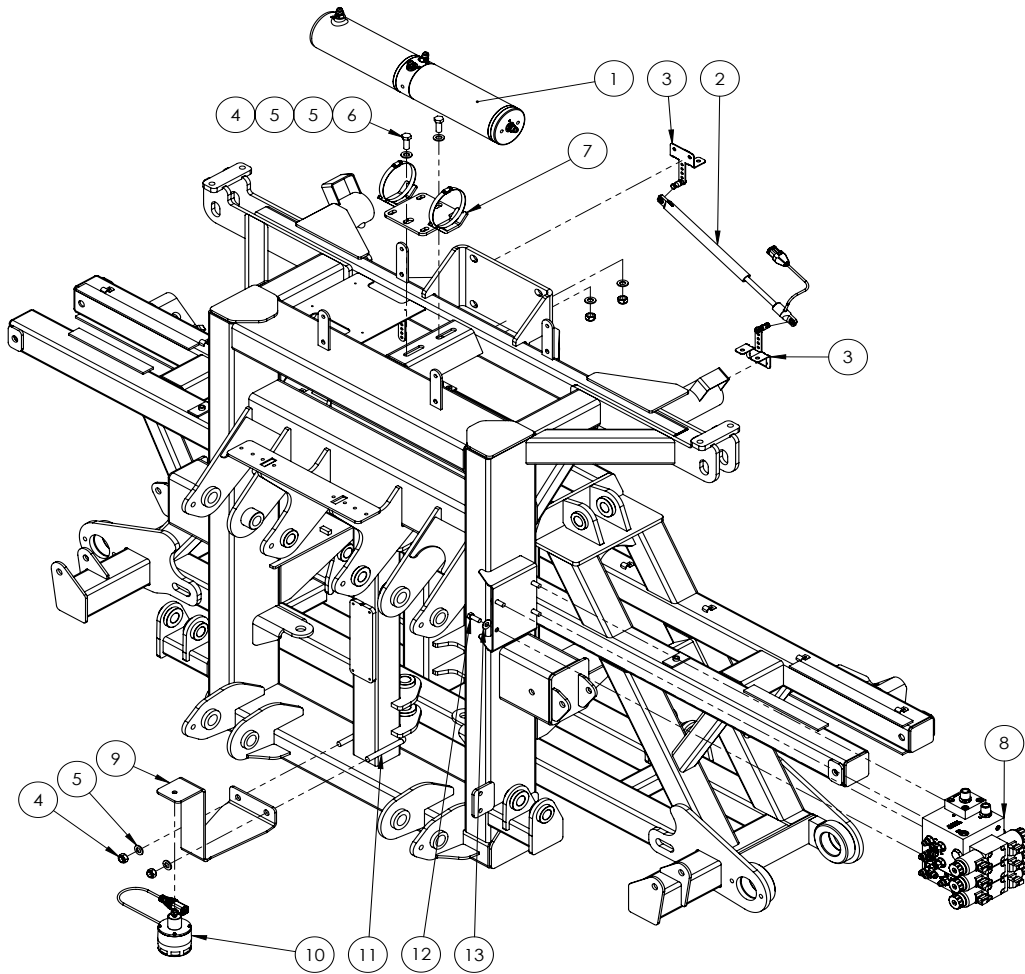
ITEM NO.	PART NUMBER	DESCRIPTION	QTY.
A	GA5054620	BOWL C/W DRAIN, SUIT AIR DRYER / OILER GA5068806	1
B	GA5054625	BOWL LUBRICATOR SUIT AIR DRYER / OILER GA5068806	1
C	GA5071805	O RING SEAL, 33X2, SUITS GA5068806 PNEUMATIC AIR LINE OILER RESERVOIR	-
1	GA5078550	AIR FILTER REGULATOR, GI 1/4, SEMI AUTO DRAIN, C/W BRACKET, LEGRIS 6700.04.13	1
2	GA5011473	BHCS M8 X 25 SS A2-70	4
3	GA5004041	BOLT M6 X 16 GR8.8 ZP	2
4	GA5004091	BOLT M6 X 50 GR8.8 ZP	2
5	GA5004097	BOLT M6 X 60 GR8.8 ZP	1
6	GA5011437	BOLT M6 X 75 ZP GR8.8	2

* Continue Over Page

RapidFire Components - 48m

ITEM NO.	PART NUMBER	DESCRIPTION	QTY.
7	GA5004711	BOLT M8 X 25 GR8.8 ZP	2
8	GA4600601	CENTRE SECTION, 36m - 48m BOOM, MY20	1
9	GA3500211	HYDRAULIC ADAPTER, SOCKET, 1/4" FEMALE BSP X 1/4" FEMALE BSP	1
10	GA3500218	HYDRAULIC ADAPTOR, NIPPLE, 1/4" BSPT MALE X 1/4" BSPT MALE	1
11	GA5078068	MOUNTING CLAMP, SINGLE TYPE, PLATE, TOP, GROUP 2	1
12	GA5078058	MOUNTING CLAMP, SINGLE TYPE, JAW, PAIR, GROUP 3, 14mm, RCS-14j	2
13	GA5048115	NUT M6 NYLOC ZP	5
14	GA5052590	NUT M8 NYLOC SS	4
15	GA5004917	NUT M8 NYLOC ZP	2
16	GA4600630	PARALIFT REAR, 48m BOOM	1
17	GA4404570	PLATE, MOUNT, RCM NODE	1
18	GA5052690	PNEUMATIC FITTING, ELBOW, 90 DEGREE, 1/4 BSP MALE X 8mm PUSH TYPE, METAL	1
19	GA5004437	WASHER 6mm FLAT SS	11
20	GA5004447	WASHER 6mm SPRING SS	2
21	GA5003643	WASHER 8mm FLAT SS HD	13
22	GA4908545	FLOW METER ASSEMBLY, LONG, RAVEN 60P HIGH PULSE WITH ROUND CONNECTOR, 1 1/2" HOSE BARBS, SUIT 4400 AND PCI ISO BUS	1
23	GA4907745	FLOW DISTRIBUTER AND BOOM RECIRCULATION VALVE ASSEMBLY, 48M	1
24	GA3000202	NODE, RCM, ISOBUS, RATE CONTROL MODULE, LEVEL 2 3TS UNLOCK, RAVEN, 063-0173-942	1

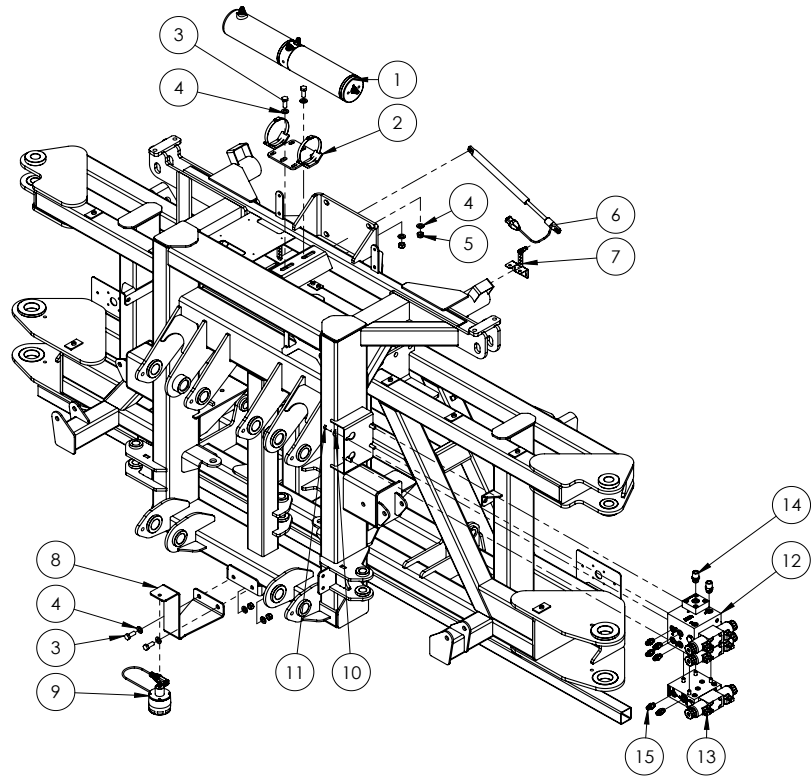
Norac System - 36-42m



ITEM NO.	PART NUMBER	DESCRIPTION	QTY.
1	GA3500136	HYDRAULIC CYLINDER, WING ROLL WITH POSITION SENSOR, NORAC	1
	GA3500146	HYDRAULIC ADAPTOR, NIPPLE, 9/16" JIC MALE X 9/16" UN MALE O-RING, S90-0909	4
2	GA3000127	SENSOR, LINEAR POSITION NF, UC5, NORAC	1
3	GA5075480	BRACKET, LINEAR POSITION SENSOR MOUNT, NORAC	1
4	GA5012461	NUT M12 NYLOC ZP	4
5	GA5000577	WASHER 12MM FLAT SS HD	6
6	GA5000305	SET SCREW M12 X 30 GR8.8 ZP	2
7	GA5075495	MOUNTING BRACKET SUIT 2017 ON AWR CYLINDER, WITH CLAMPS, BLACK, NORAC	1
8	^	NORAC VALVE BLOCK	1
9	GA4510595	PLATE, MOUNT, NORAC ULTRASONIC SENSOR, CENTRE SECTION	1
10	GA3000128	ULTRASONIC SENSOR, STANDARD, UC5, BLACK, NORAC	1
11	GA5011259	U BOLT SQUARE TOP M12 X 76MM X 110MM	1
12	GA5002601	BOLT 3/8 UNC X 1 GR8 ZP YELLOW	4
13	GA5017623	WASHER 3/8 FLAT ZP HD	4

^ See Chapter 18 'Hydraulics' for sub-assembly

Norac System - 48m



ITEM NO.	PART NUMBER	DESCRIPTION	QTY.
1	GA3500136	HYDRAULIC CYLINDER, WING ROLL WITH POSITION SENSOR, NORAC	1
	GA3500146	HYDRAULIC ADAPTOR, NIPPLE, 9/16" JIC MALE X 9/16" UN MALE O-RING, S90-0909	4
2	GA5075495	MOUNTING BRACKET SUIT 2017 ON AWR CYLINDER, WITH CLAMPS, BLACK, NORAC	1
3	GA5000305	SET SCREW M12 X 30 GR8.8 ZP	2
4	GA5000577	WASHER 12MM FLAT SS HD	6
5	GA5012461	NUT M12 NYLOC ZP	2
6	GA3000127	SENSOR, LINEAR POSITION NF, UC5, NORAC	1
7	GA5075480	BRACKET, LINEAR POSITION SENSOR MOUNT, NORAC	1
8	GA4510595	PLATE, MOUNT, NORAC ULTRASONIC SENSOR, CENTRE SECTION	1
9	GA3000128	ULTRASONIC SENSOR, STANDARD, UC5, BLACK, NORAC	1
10	GA5017623	WASHER 3/8 FLAT ZP HD	4
11	GA5002601	BOLT 3/8 UNC X 1 GR8 ZP YELLOW	4
12	GA3500164	VALVE BLOCK, 2 STATION ASSEMBLY, CLOSED CENTRE, LOAD SENSE, DT 4 BOLT, NORAC	1
13	GA3500139	VALVE BLOCK, EXPANSION ASSEMBLY, DPOC PROP DT 4 BOLT, NORAC	1
14	GA3500363	HYDRAULIC ADAPTOR, NIPPLE, 1/2" BSPT MALE X 3/4" UNO MALE O-RING, S93-0812	2
15	GA3500146	HYDRAULIC ADAPTOR, NIPPLE, 9/16" JIC MALE X 9/16" UN MALE O-RING, S90-0909	6

Norac Spare Parts List

ITEM NO.	PART NUMBER	DESCRIPTION
1	GA3000110	CONSOLE, UC5, UC7, PULSE, DISPLAY PANEL, SCREEN, NORAC
2	GA3000111	CONTROLLER MODULE, UC5 INPUT PASS THROUGH, NORAC 43732
3	GA3000112	CONTROLLER MODULE, UC5 VALVE, NORAC 43720
4	GA3000113	CONTROLLER MODULE, UC5, CAN BUS, NORAC 43710
5	GA3000114	ELECTRICAL HARNESS, UC5, UC7, BATTERY FEED FUSED, NORAC
6	GA3000115	ELECTRICAL HARNESS, UC5, UC7 MAIN CAN INTERFACE, ISO BUS 4 PIN DT, NORAC
7	GA3000116	ELECTRICAL HARNESS, UC5, UC7, NETWORK, 1M, 14 AWG, NORAC
8	GA3000117	ELECTRICAL HARNESS, UC5, UC7, NETWORK, 10M, 14 AWG, NORAC
9	GA3000118	ELECTRICAL HARNESS, UC5 NETWORK, 10M, 18 AWG, NORAC
10	GA3000119	ELECTRICAL HARNESS, UC5, UC7 NETWORK, 20M, 18 AWG, NORAC
11	GA3000120	ELECTRICAL HARNESS, UC5 VALVE 2 PIN DT, NORAC
12	GA3000121	ELECTRICAL HARNESS, UC5, MAIN INTERFACE GOLDACRES, OPEN CENTER, NORAC
13	GA3000122	ELECTRICAL HARNESS, UC5, TILT INTERFACE GOLDACRES, NORAC
14	GA3000123	NETWORK COUPLER, UC5, UC7, 2 WAY, BLACK, NORAC
15	GA3000124	NETWORK COUPLER, UC5, UC7, 2 WAY, WHITE, TERMINATOR, NORAC
16	GA3000125	NETWORK COUPLER, UC5, UC7, 3 WAY, NORAC
17	GA3000126	NETWORK COUPLER, UC5, UC7, 8 WAY, NORAC
18	GA3000127	SENSOR, LINEAR POSITION NF, UC5, NORAC
19	GA3000128	ULTRASONIC SENSOR, STANDARD, UC5, BLACK, NORAC
20	GA3000129	CONNECTOR, BLANKING PLUG, UC5, UC7, NETWORK, 6 PIN, NORAC
21	GA3000130	CONNECTOR, BLANKING PLUG, DUST COVER, 2 PIN DEUTSCH, DT06-2S-C017
22	GA3000131	CONNECTOR, BLANKING PLUG, UC5 NETWORK, 12 PIN, NORAC
23	GA3000136	LINEAR SENSOR, 175MM STROKE, CONNECTOR FITTED, 4WS G3V G4V
24	GA3000137	DISPLAY, MATRIX 430 KIT, GPS, GLONASS, PATCH ANTENNA, POWER LEAD, TEEJET
25	GA3000138	ELECTRICAL HARNESS, MAIN ISO SIDE CONSOLE ARMREST, MY17, RAVEN, 115-7302-023
26	GA3000139	ELECTRICAL HARNESS, ISO HITCH CABLE TO SUIT ISO ECU 6', RAVEN 115-0172-305
27	GA8700392	MANUAL, INSTALLATION UC5 AND UC4.5 SEVERE TERRAIN OPTION, NORAC 5465BC-LP-INST

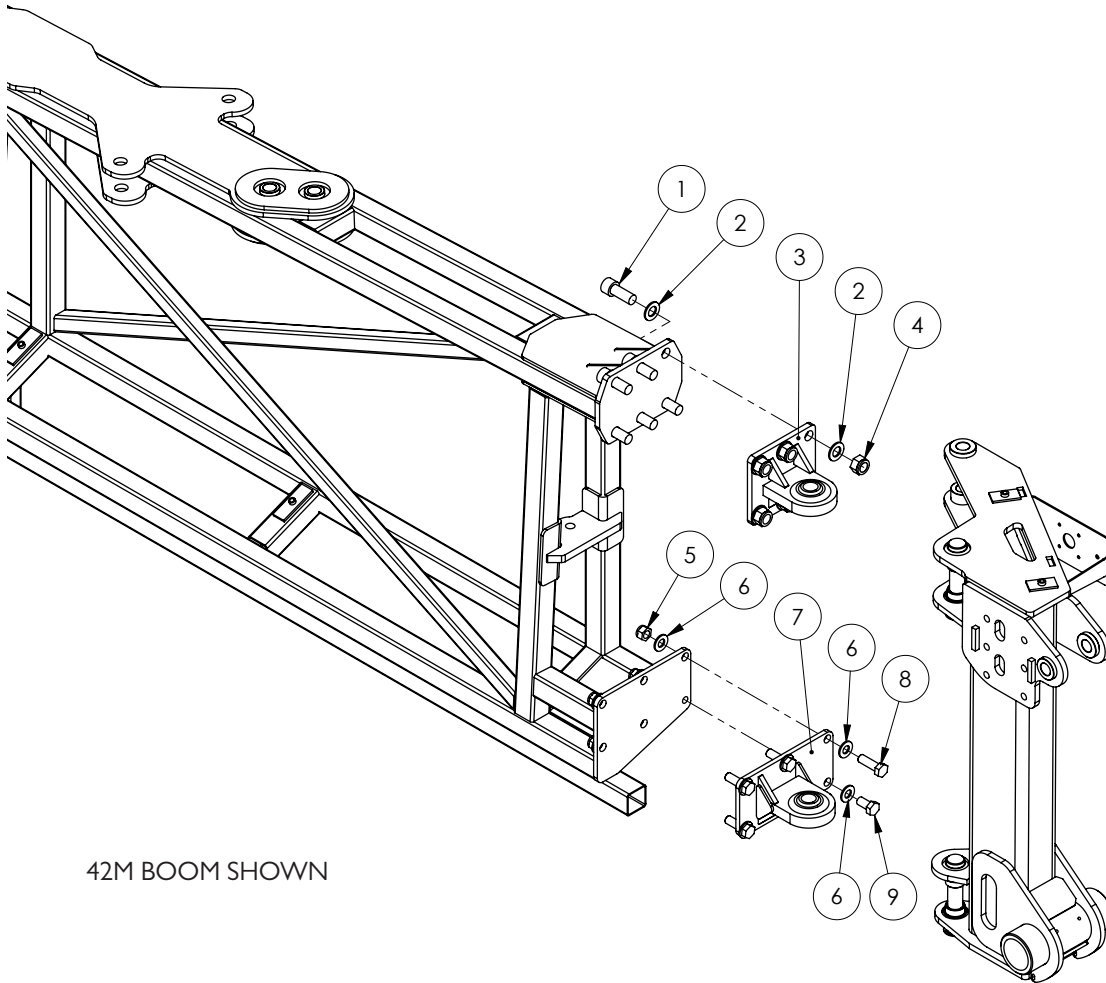
Norac Spare Parts List

ITEM NO.	PART NUMBER	DESCRIPTION
28	GA8700393	MANUAL, INSTALLATION, UC5 GOLDACRES ACTIVE WING ROLL UPGRADE NORAC
29	GA8700394	MANUAL, INSTALLATION, UC5 GOLDACRES ACTIVE WING ROLL, NORAC
30	GA8700395	MANUAL, INSTALLATION, UC5 GOLDACRS PASSIVE ROLL, NORAC
31	GA8700396	MANUAL, NORAC UC5 OPERATORS MANUAL
32	GA8700397	MANUAL, UC5 PULSE DISPLAY KIT SELF PROPELLED, NORAC
33	GA5075480	BRACKET, LINEAR POSITION SENSOR MOUNT, NORAC
34	GA5075485	MOUNTING BRACKET, MAIN LIFT SENSOR UC4 PLUS, NORAC
35	GA5075490	MOUNTING BRACKET, SUIT ULTRA SONIC SENSOR, LOW PROFILE, NORAC
36	GA5075495	MOUNTING BRACKET SUIT 2017 ON AWR CYLINDER, WITH CLAMPS, BLACK, NORAC
37	GA4510595	PLATE, MOUNT, NORAC ULTRASONIC SENSOR, CENTRE SECTION
38	GA5011259	U BOLT SQUARE TOP M12 X 76MM X 110MM
39	GA3500363	HYDRAULIC ADAPTOR, NIPPLE, 1/2" BSPT MALE X 3/4" UNO MALE O-RING, S93-0812
40	GA3500146	HYDRAULIC ADAPTOR, NIPPLE, 9/16" JIC MALE X 9/16" UN MALE O-RING, S90-0909
41	GA3500144	HYDRAULIC ADAPTOR, TEE, 9/16" JIC MALE X 9/16" JIC MALE X 9/16" JIC FEMALE SWIVEL, S67-090909
42	GA3500145	HYDRAULIC ADAPTOR, NIPPLE, 3/8" BSPP O-RING MALE X 9/16" JIC MALE, S74-0609
43	GA3500147	HYDRAULIC ADAPTOR, NIPPLE, 9/16" JIC MALE X 3/4" UN MALE O-RING, S90-0912
44	GA3500200	HYDRAULIC ADAPTOR, TEE, 1/2" BSPT MALE X 1/2" BSPT MALE X 1/2" BSPP FEMALE SWIVEL, S167-080808

Chapter 14

BOOM WINGS

36-42m - Boom Pivot



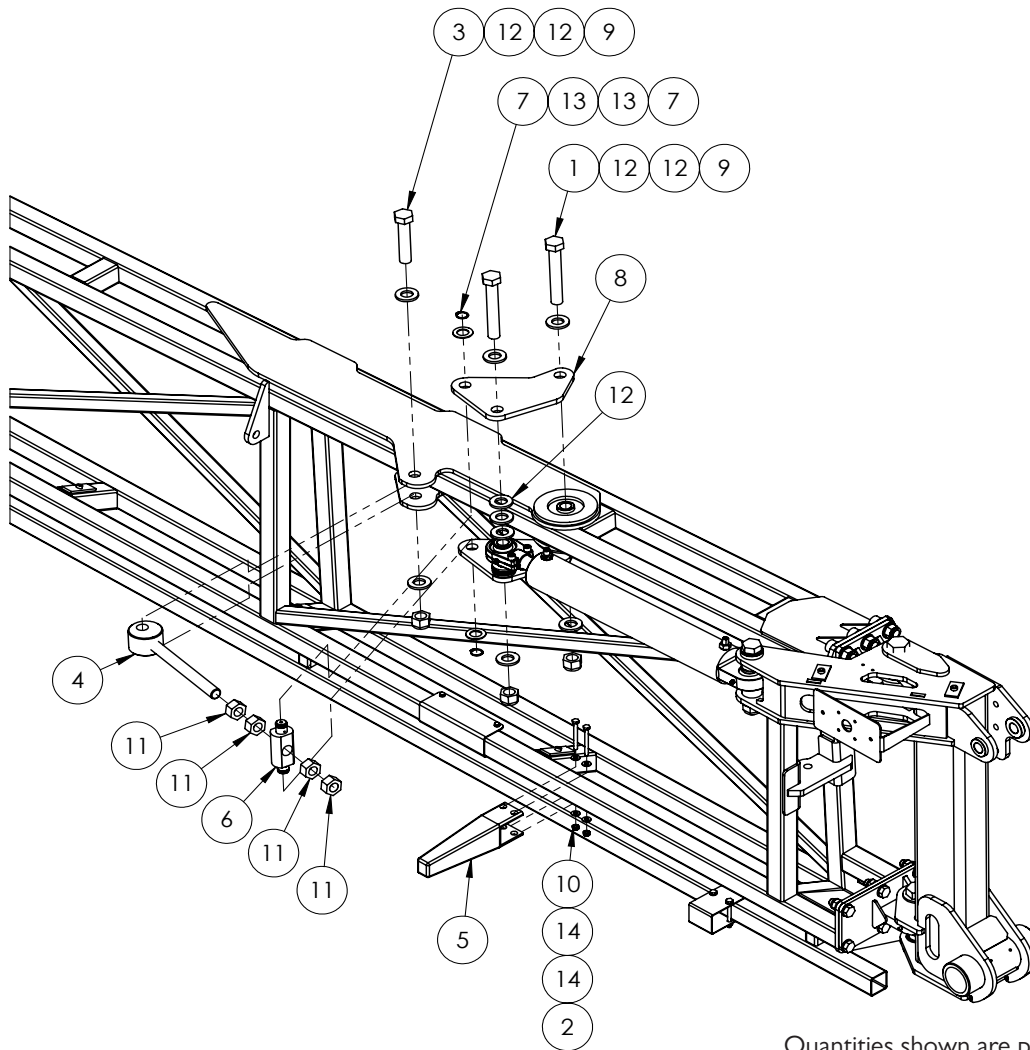
42M BOOM SHOWN

Quantities shown are per side

ITEM NO.	PART NUMBER	DESCRIPTION	QTY.
-	GA4537795*	SHIM LOWER ROSE END, 1MM, 42M BOOM	-
1	GA0500028	SHCS, M20 X 50, ZP GR12.9	6
2	GA5001741	WASHER 20MM FLAT SS HD	12
3	GA4660915	TOP ROSE END LARGE TRITECH	1
4	GA5048125	NUT M20 NYLOC COARSE ZP	6
5	GA5001029	NUT M16 NYLOC ZP	5
6	GA5001043	WASHER 16MM FLAT SS HD	11
7	GA4659220	BOTTOM ROSE END LARGE TRITECH	1
8	GA5000931	BOLT M16 X 50 GR8.8 ZP	5
9	GA5000913	SET SCREW M16 X 30 GR8.8 ZP	1

* NOTE: Quantity will vary depending on adjustments needed.

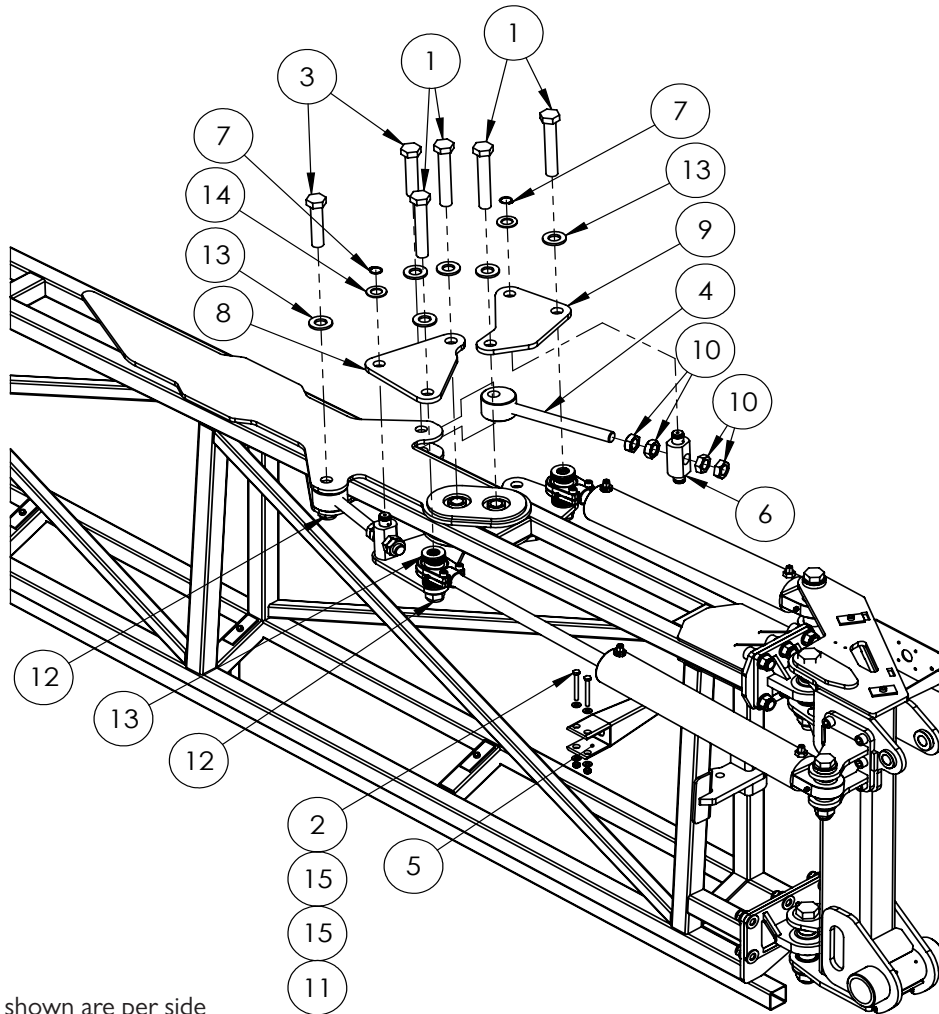
36m - First Stage Fold



Quantities shown are per side

ITEM NO.	PART NUMBER	DESCRIPTION	QTY.
1	GA5006043	BOLT 1 UNF 14 TPI X 6 GR8 ZP	2
2	GA5052600	BOLT M8 X 75 SS A2-70	2
3	GA5006039	BOLT, 1" UNF, 14 TPI X 4 1/2", GR8 ZP	1
4	GA5070775	BOOM FOLD ADJUSTER EYELET BOLT, HD	1
5	GA5006226	BOOM STOPPER, RUBBER, 210mm BUMPER, SUITS 50 X 50mm RHS	1
6	24MK4DB006	BUSH / PIN, FOLD RAM ADJUSTER NUT AND BOLT RETAINER	1
7	GA5008519	CIRCLIP, EXTERNAL, 25mm	2
8	GA4506970	FOLD ADJUSTER PLATE REAR 42m DUAL FOLD CYLINDER	2
9	GA5012445	NUT 1" UNF 14 TPI NYLOC ZP	2
10	GA5052590	NUT M8 NYLOC SS	2
11	GA5010991	NUT, 1" UNF, 12 TPI, ZP	4
12	GA5017659	WASHER 1 FLAT ZP HD (5mm THICK)	13
13	GA5001893	WASHER 1 X 1 7/8 X 14G	2
14	GA5003643	WASHER 8mm FLAT SS HD	4

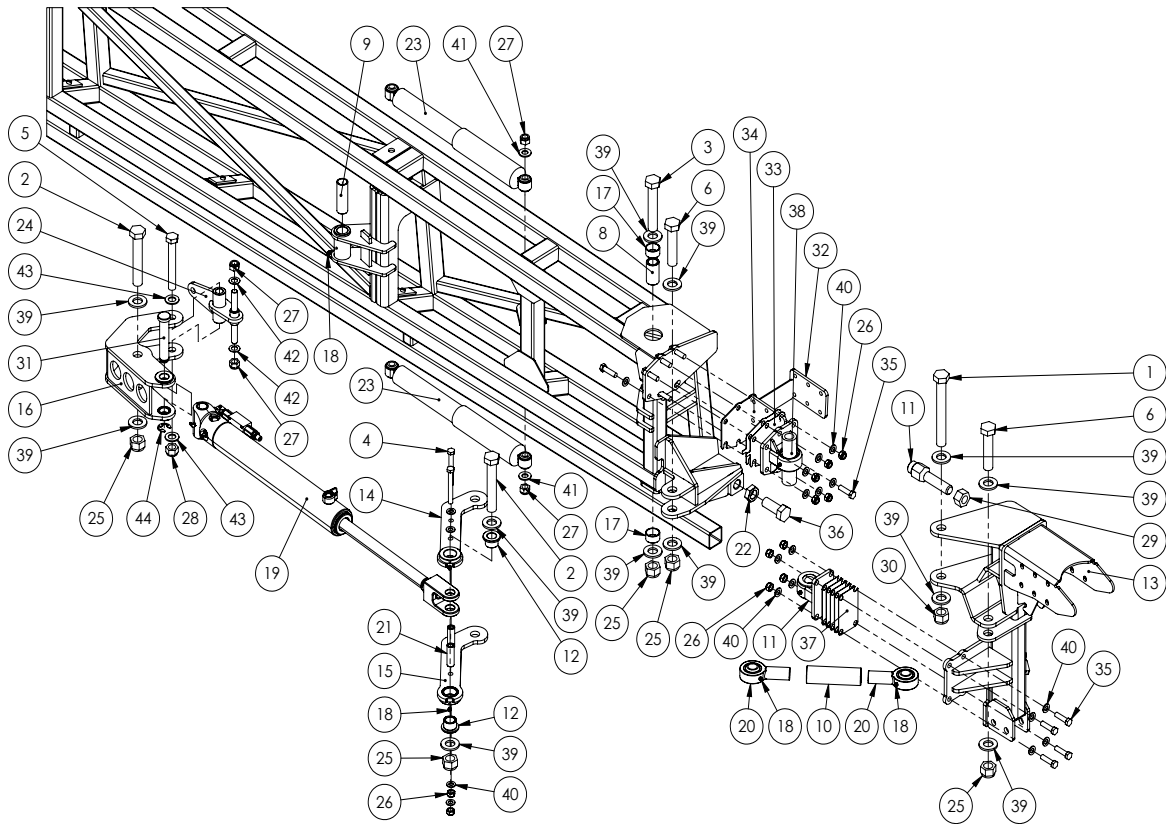
42m - First Stage Fold



Quantities shown are per side

ITEM NO.	PART NUMBER	DESCRIPTION	QTY.
1	GA5006043	BOLT 1 UNF 14 TPI X 6 GR8 ZP	4
2	GA5052600	BOLT M8 X 75 SS A2-70	2
3	GA5006039	BOLT, 1" UNF, 14 TPI X 4 1/2", GR8 ZP	2
4	GA5070775	BOOM FOLD ADJUSTER EYELET BOLT, HD MY13.	2
5	GA5006226	BOOM STOPPER, RUBBER, 210MM BUMPER, SUITS 50 X 50MM RHS (CUT TO 150MM)	1
6	24MK4DB006	BUSH / PIN, FOLD RAM ADJUSTER NUT AND BOLT RETAINER	2
7	GA5008519	CIRCLIP, EXTERNAL, 25MM	4
8	GA4506965	FOLD ADJUSTER PLATE, FRONT, 42M DUAL FOLD CYLINDER	2
9	GA4506970	FOLD ADJUSTER PLATE, REAR, 42M DUAL FOLD CYLINDER	2
10	GA0500048	LOCK NUT, 1" UNF 12 TPI, ZP	8
11	GA5052590	NUT M8 NYLOC SS	2
12	GA5012446	NUT 1 UNF 12 TPI NYLOC ZP	6
13	GA5017659	WASHER 1 FLAT ZP HD (5MM THICK)	26
14	GA5001891	WASHER 24MM FLAT HD SS	4
15	GA5003643	WASHER 8MM FLAT SS HD	4

36-42m - Second Stage Fold



Quantities shown are per side

ITEM NO.	PART NUMBER	DESCRIPTION	QTY.
1	GA5006151	BOLT 1 UNF 12 TPI X 8 GR8 ZP	1
2	GA5006043	BOLT 1 UNF 14 TPI X 6 GR8 ZP	2
3	GA5006041	BOLT 1 UNF 14 TPI X 5 1/2 GR8 ZP	1
4	GA5000259	BOLT M12 X 100 GR8.8 ZP	2
5	GA5001531	BOLT M20 X 150 GR8.8 ZP	1
6	GA5006039	BOLT, 1" UNF, 14 TPI X 4 1/2", GR8 ZP	2
7	GA4572495	BOLT, 1" UNF, 12 TPI, BOOM DRUM STOPPER	1
8	GA4550210	BUSH, FOLD LINK BOOM END	1
9	GA4550220	BUSH, FOLD LINK CENTRE PIVOT	1
10	GA4550230	BUSH, ROSE END LINK, 1 1/4" UNF, 150MM LONG, TRITECH BOOM 2015	1
11	GA4932343	CABLE DRUM BEARING PIVOT KIT, LOWER, SUIT TRITECH BOOM	1
12	GA4550205	FLANGE BUSH, ROD END PIVOT	2
13	GA4610025	FOLD HINGE, RH, TRITECH BOOM	1
14	GA4601005	FOLD LINK, TOP, ROD END	1
15	GA4601010	FOLD LINK, BOTTOM, ROD END	1
16	GA4601015	FOLD LINK, MAIN MOUNT	1
17	GA5055650	GLACIER BUSH, ID 35 X OD 39 X 20 LONG	2
18	GA5012203	GREASE NIPPLE, SHORT, 1/4 UNF, MACH0207	7

Continues Over Page

36-42m - Second Stage Fold

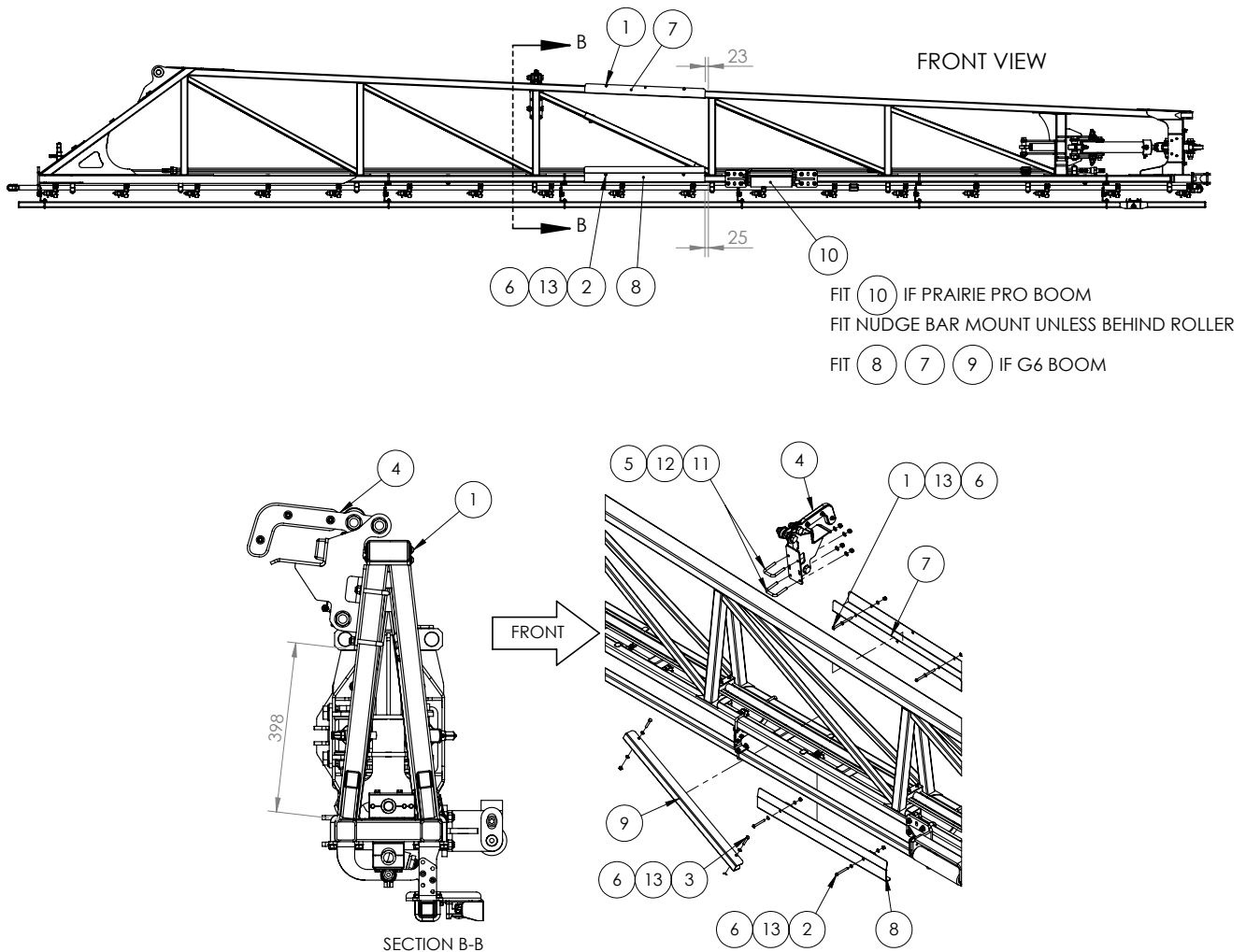
ITEM NO.	PART NUMBER	DESCRIPTION	QTY.
19	GA4907625	HYDRAULIC CYLINDER SUB ASSEMBLY, SECOND STAGE FOLD, LH, TRITECH, 2016	1
20	GA5070530	ROSE END 1 X 1 1/4 MALE UNF THREAD BB074-VM16	2
21	GA4550215	LINK SPACER	2
22	GA0500048	LOCK NUT, 1" UNF 12 TPI, ZP	1
23	GA5075115	SHOCK ABSORBER, HEAVY DUTY, EYE ENDS 15 ID, SUIT TRI TECH SPRING YAW	2
24	GA4601020	SPRING, SHOCKER MOUNT PIVOT	1
25	GA5012445	NUT, 1" UNF, 14 TPI, NYLOC, ZP	5
26	GA5012461	NUT M12 NYLOC ZP	12
27	GA5001029	NUT M16 NYLOC ZP	4
28	GA5048125	NUT M20 NYLOC COARSE ZP	1
29	GA5010991	NUT, 1" UNF, 12 TPI, ZP	1
30	GA5012446	NUT 1 UNF 12 TPI NYLOC ZP	1
31	GA4572200	PIN, 1" DIAMETER X 132.4 MM LONG, WITH SHOULDER AND CIRCLIP GROOVE, SUIT CENTRE SECTION FOLD RAM	1
32	GA4404735	PLATE, BOOM CLAMP, OUTER SUPPORT	2
33	GA4510165	PLATE, SHIM, TOP SECOND PIVOT, BOOM, 2015	2
34	GA4510170	PLATE, TOP STOPPER WEAR PLATE, BOOM HINGE, 2015	1
35	GA5000327	SET SCREW M12 X 45 GR8.8 ZP	10
36	GA0500027	SET SCREW, 1" X 2 1/2" UNF 12 TPI, ZP	1
37	DB-ADJ-16LAS	SHIM, CABLE DRUM PIVOT, SS, 1MM, DB-ADJ-16LAS	5
38	GA4906950	UPPER BEARING PIVOT KIT SUIT TRITECH DRUM HINGE 2015	1
39	GA5017659	WASHER 1 FLAT ZP HD (5MM THICK)	12
40	GA5000577	WASHER 12MM FLAT SS HD	24
41	GA5001043	WASHER 16MM FLAT SS HD	2
42	GA5001055	Washer 16mm Flat SS	2
43	GA5001741	Washer 20mm Flat SS HD	2
44	GA5001223	CIRCLIP, 19MM, E TYPE, ZINC PLATED	1

* Sub-assembly on following pages

Quantities shown are per side

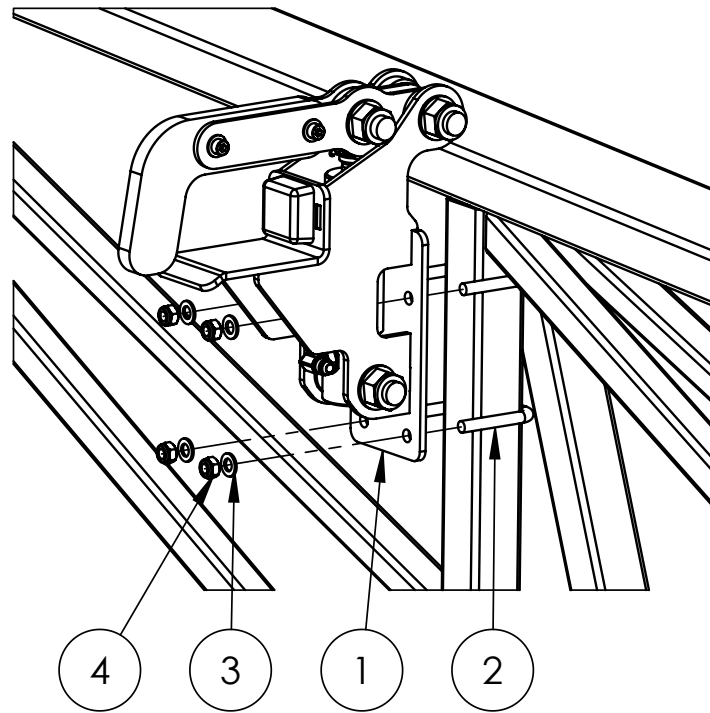
^ See Chapter 18 'Hydraulics' for sub-assembly

36-42m - Bi-fold Boom Catch (Old Style)



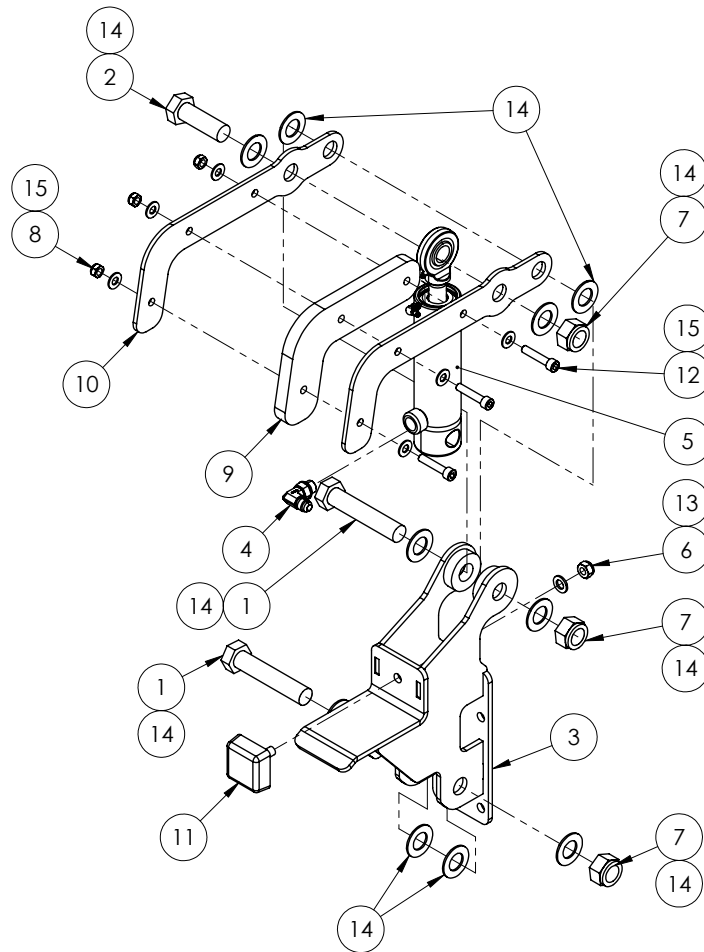
ITEM NO.	PART NUMBER	DESCRIPTION	QTY.
1	GA0500187	BHCS M8 X 120 SS A2-70	2
2	GA5078889	BHCS M8 X 70 SS A2-70	2
3	GA5004727	BOLT M8 X 50 GR8.8 ZP	2
4	GA4949740	BOOM BIFOLD CATCH ASSEMBLY, MY20	1
5	GA5051445	NUT M10 NYLOC SS	4
6	GA5052590	NUT M8 NYLOC SS	6
7	GA4408155	PROTECTOR, BOOM CORD, SUIT 100 X 50, 600mm, SS	1
8	GA4402215	PROTECTOR, BOOM CORD, SUIT 50 X 50, EXTENDED GUIDE, SS	1
9	GA4000242	PROTECTOR, BOOM DIAGONAL BRACE, SUIT 35 X 35, 300mm, SS	1
10	GA4951165	SUB ASSEMBLY, BOOM REST, RIVX ROLLER, PRAIRIE PRO, 2021	1
11	GA5053645	U BOLT SQUARE TOP M10 X 52 X 75	2
12	GA5000117	WASHER 10mm FLAT SS HD	4
13	GA5003643	WASHER 8mm FLAT SS HD	12

36-42m - Bi-fold Boom Catch Bracket & Mounting (Old Style)



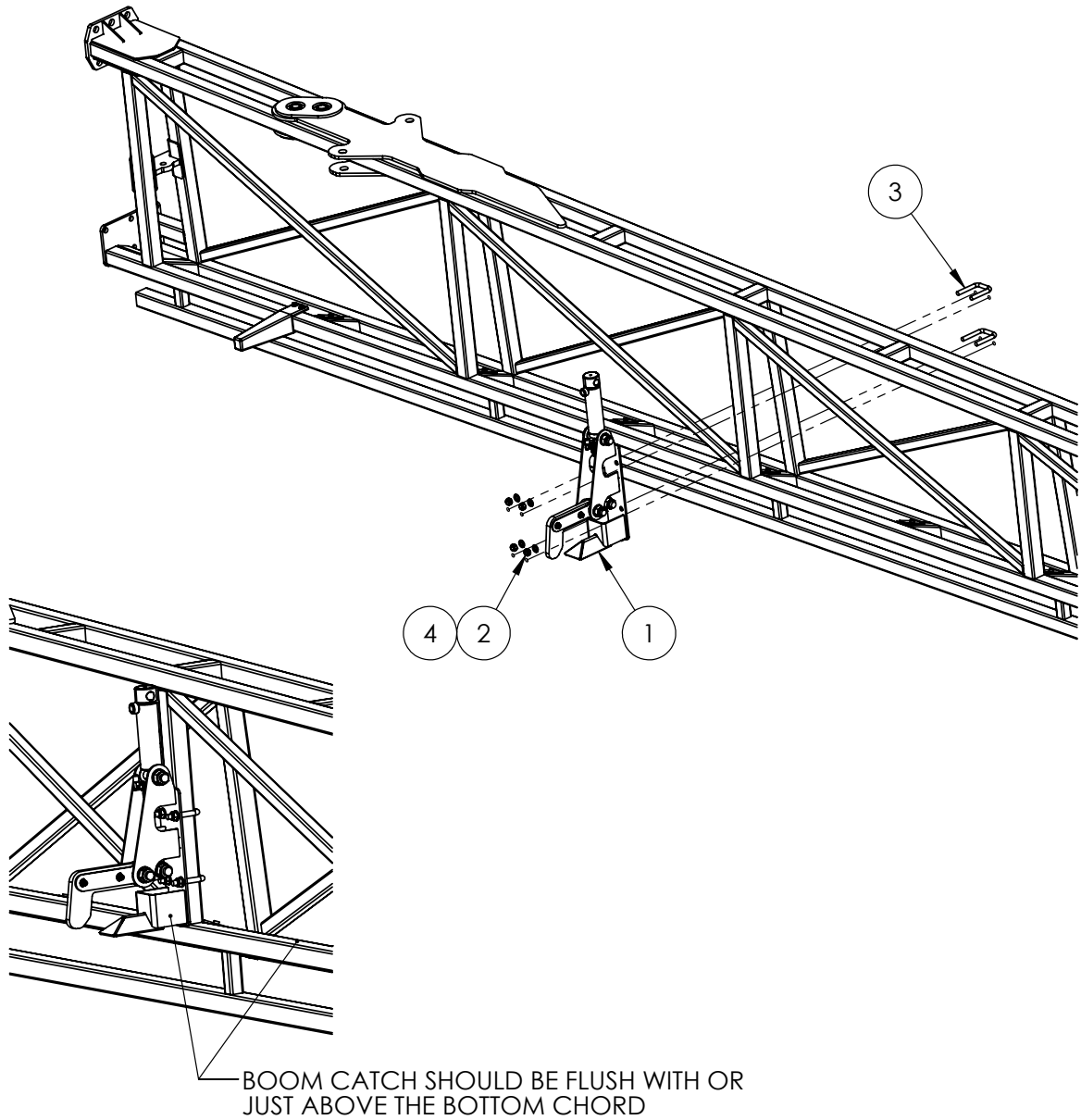
ITEM NO.	PART NUMBER	DESCRIPTION	QTY.
1	GA4602690	BOOM BIFOLD CATCH BRACKET, MY20	1
2	GA5053645	U BOLT SQUARE TOP M10 X 52 X 75	2
3	GA5000117	WASHER 10MM FLAT SS HD	4
4	GA5051445	NUT M10 NYLOC SS	4

36-42m - Bi-fold Boom Catch Assembly (Old Style)



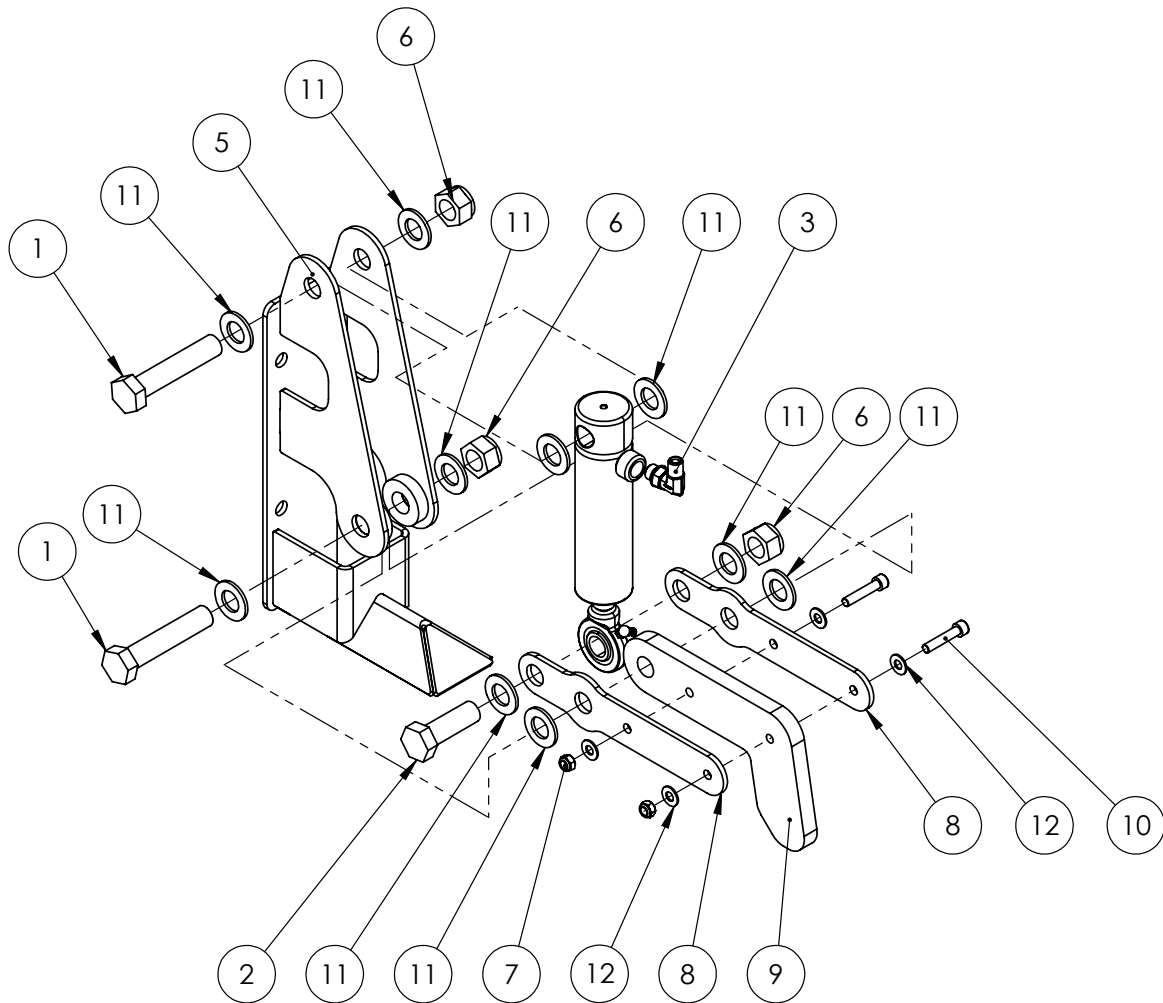
ITEM NO.	PART NUMBER	DESCRIPTION	QTY.
1	GA5048355	BOLT M20 X 100 GR8.8 ZP	2
2	GA5011333	BOLT M20 X 60 GR8.8 ZP	1
3	GA4602690	BOOM BIFOLD CATCH BRACKET, MY20	1
4	GA3500716	HYDRAULIC ADAPTOR ELBOW, 9/16" UNO TO 9/16" JIC, 90 DEG, S91-0909	1
5	GA3500480	HYDRAULIC CYLINDER, BORE 1.5", ROD 0.75", STROKE 28mm, DISPLACEMENT, SPRING RETURN	1
6	GA5000141	NUT M10 NYLOC ZP	1
7	GA5048125	NUT M20 NYLOC COARSE ZP	3
8	GA5052590	NUT M8 NYLOC SS	1
9	GA5078598	PLASTIC BOOM BIFOLD CATCH HOOK, MY20	1
10	GA4403556	PLATE, LATCH BRACKET, BOOM LATCH, RIVEX BOOM	2
11	GA5078569	RUBBER BUFFER, 50 X 50 X 20mm SQUARE, M10 X 28mm MALE THREAD	1
12	GA5011487	SHCS M8 X 40 GR 12.9 ZP	3
13	GA5000117	WASHER 10mm FLAT SS HD	1
14	GA5001742	WASHER 20mm FLAT SS 2.0mm	10
15	GA5003643	WASHER 8mm FLAT SS HD	6

36-42m - Bi-fold Boom Catch Bracket & Mounting (New Style)



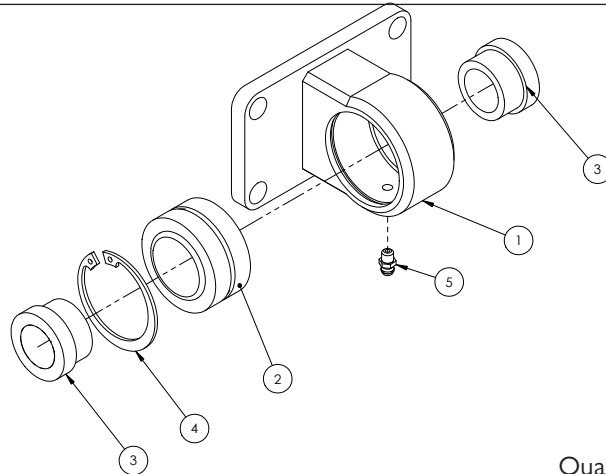
ITEM NO.	PART NUMBER	DESCRIPTION	QTY.
1	GA4949125	BOOM LATCH ASSEMBLY, HYDRAULIC, TRITECH BOOM	1
2	GA5012461	NUT M12 NYLOC ZP	4
3	GA5011251	U BOLT SQUARE TOP M12 X 52mm X 80mm	2
4	GA5000577	WASHER 12mm FLAT SS HD	4

36-42m - Bi-fold Boom Catch Assembly (New Style)



ITEM NO.	PART NUMBER	DESCRIPTION	QTY.
1	GA5048355	BOLT M20 X 100 GR8.8 ZP	2
2	GA5011333	BOLT M20 X 60 GR8.8 ZP	1
3	GA3500347	HYDRAULIC ADAPTOR ELBOW, 1/4" BSPT MALE X 9/16" UNO MALE	1
4	GA3500480	HYDRAULIC CYLINDER, BORE 1.5", ROD 0.75", STROKE 28mm, DISPLACEMENT, SPRING RETURN	1
5	GA4601640	LATCH CYLINDER MOUNT, TRITECH BOOM	1
6	GA5048125	NUT M20 NYLOC COARSE ZP	3
7	GA5052590	NUT M8 NYLOC SS	2
8	GA4403555	PLATE, LATCH BRACKET, BOOM LATCH, TRITECH BOOM	2
9	GA5024920	PLATE, PLASTIC LATCH HOOK, BOOM LATCH, TRITECH BOOM	1
10	GA5011487	SHCS M8 X 40 GR 12.9 ZP	2
11	GA5001741	WASHER 20mm FLAT SS HD	10
12	GA5003643	WASHER 8mm FLAT SS HD	4

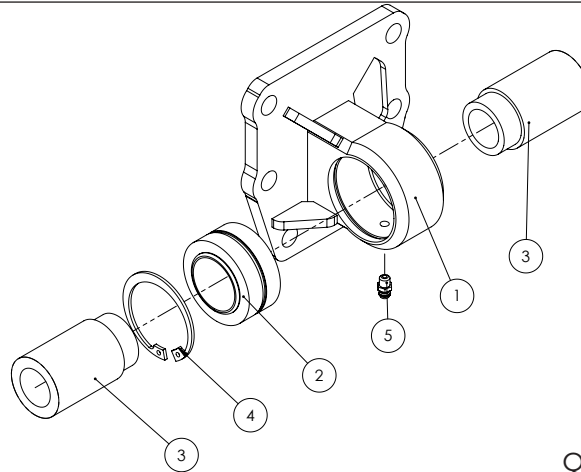
36m - Second Stage Fold - Lower Pivot



Quantities shown are per side

ITEM NO.	PART NUMBER	DESCRIPTION	QTY.
-	GA4932343	LOWER PIVOT ASSEMBLY	-
1	GA4656190	BOOM HINGE BEARING MOUNT 24+	1
2	GA5015659	BEARING, SPHERICAL BUSH, 35.0MM ID X 55.7MM OD X 30.2MM THICK	1
3	DB-ADJ-02	BUSH, SHORT, 40 OD X 25.5 ID X 23.75MM LONG	2
4	GA5010573	CIRCLIP, INTERNAL, 55MM BORE	1
5	GA5012203	GREASE NIPPLE, SHORT, 1/4" UNF	1

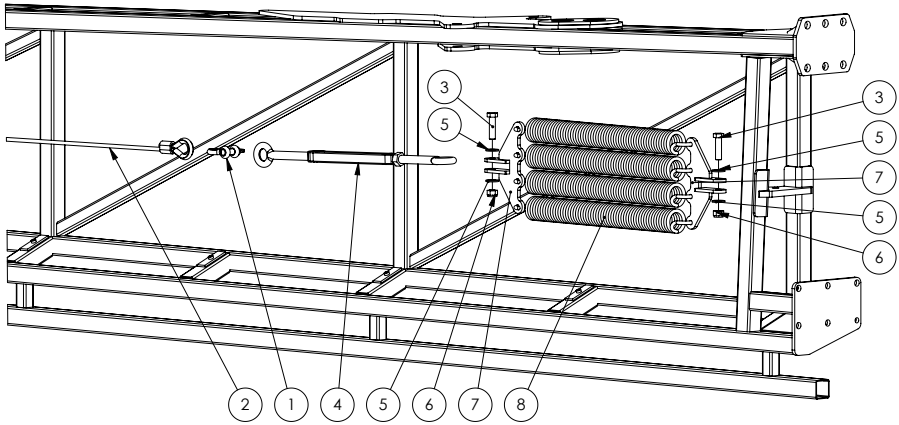
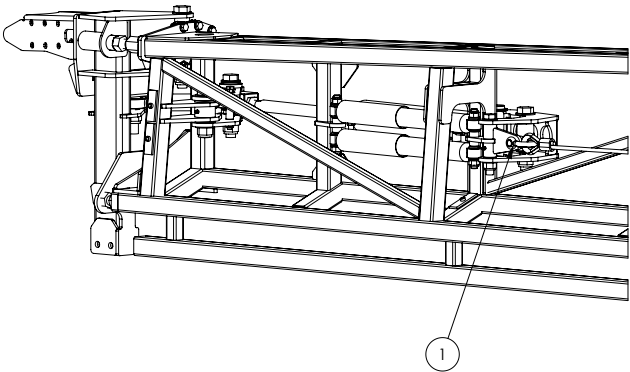
36m - Second Stage Fold - Upper Pivot



Quantities shown are per side

ITEM NO.	PART NUMBER	DESCRIPTION	QTY.
-	GA4906950	UPPER BEARING PIVOT KIT	-
1	GA4660460	BOOM TOP HINGE 36M	1
2	GA5015659	BEARING, SPHERICAL BUSH, 35.0MM ID X 55.7MM OD X 30.2MM THICK	1
3	DB-ADJ-13	BUSH, STEPPED, 25.5MM ID X 40MM OD X 69.75MM LONG, USED ON BEARING PIVOT	2
4	GA5010573	CIRCLIP, INTERNAL, SUIT 55MM BORE	1
5	GA5012203	GREASE NIPPLE, SHORT, 1/4" UNF	1

36-42m - Breakaway Springs



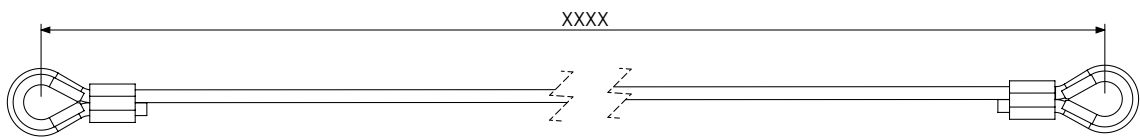
Quantities shown are per side

ITEM NO.	PART NUMBER	DESCRIPTION	QTY.
1	GA5075230	BOW SHACKLE 13MM WLL 3.25T BLACK	2
2	*	BREAKAWAY CABLE	1
3	GA5000941	BOLT M16 X 60 GR8.8 ZP	2
4	GA5017061	TURNBUCKLE, EYE ENDS, M22 THREAD & LOCK NUT, GALVANISED	1
5	GA5001009	WASHER 16MM FLAT ZP HD	4
6	GA5001029	NUT M16 NYLOC ZP	2
7	GA4600985	SPRING MOUNT BRACKET, V SERIES TRITECH BOOM	2
8	GA5072315	SPRING, TENSION, 65 OD, 57 TURNS, 9.5MM WIRE, 662MM LONG, 8.4 N/MM	4

* Sub-assembly on following pages

36-42m - Breakaway Cables

PART NUMBER	DESCRIPTION	QTY.
	CABLE, 10MM, SOLID CORE, HEAVY DUTY, GALVANISED	SEE BELOW.
GA5000073	36M BREAKAWAY CABLE CUT LENGTH (EYE TO EYE LENGTH 4690 MM)	5 120MM (X2)
	42M BREAKAWAY CABLE CUT LENGTH (EYE TO EYE LENGTH 6220MM PER SIDE)	6600MM (X2)
GA5000215	THIMBLE, CABLE, SUIT 11 - 12MM	4
GA5005391	FERRULE, ALUMINIUM, 40 LONG X 4.5 WALL, CODE 11	4
GA5001965	HEAT SHRINK 25.4MM BLACK X 120MM LONG	4

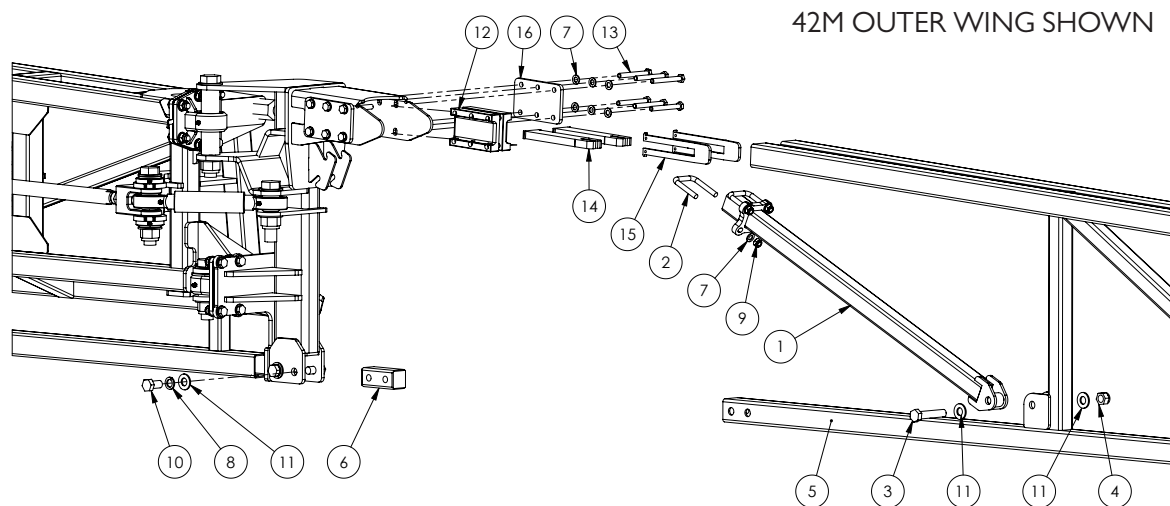


NOTE: Cable cut lengths are 380 mm longer than eye to eye measurement.

PRE-MADE FORM - SPECIFIC FITMENT

PART NUMBER	DESCRIPTION	QTY.
GA4933630	CABLE, BOOM, G8 BREAKAWAY, TRITECH 36M MY17	2
GA4933635	CABLE, BOOM, G8 BREAKAWAY, TRITECH 42M MY17	2

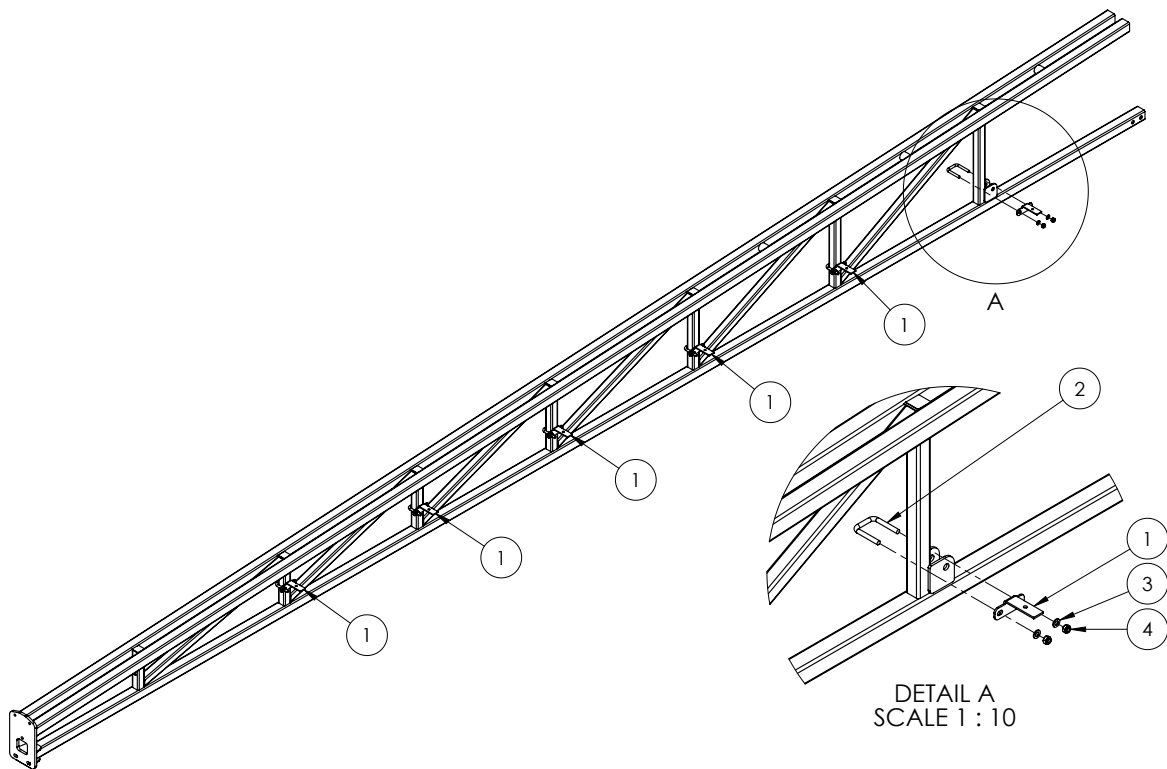
36-42m - Aluminium Outer Assembly



Quantities shown are per side

ITEM NO.	PART NUMBER	DESCRIPTION	QTY.
1	GA4660750	BRACE BAR, ALUMINIUM BOOM	1
2	GA5053645	U-BOLT SQUARE TOP M10 X 52 X 75MM	2
3	GA5011307	BOLT M16 X 80 GR8.8 ZP	1
4	GA5001029	M16 NYLOC NUT	1
5	GA4660920	BOOM OUTER 42M ALUMINIUM	1
	GA4660470	BOOM OUTER 36M ALUMINIUM	1
6	GA4550031	THREADED STEEL INSERT BLOCK SUIT 50MM X 50MM X 4MM ALUMINIUM BOOM BOTTOM CHORD	1
7	GA5000117	WASHER 10MM FLAT SS HD	16
8	GA5000961	WASHER 16MM SPRING ZP	4
9	GA5000141	NUT M10 NYLOC ZP	4
10	GA5000913	SET SCREW M16 X 30 GR8.8 ZP	4
11	GA5001043	WASHER 16MM FLAT SS HD	6
12	GA4550740	CLAMP BLOCK, ALUMINIUM BOOM MOUNT	2
13	GA5011182	BOLT M10 X 85 GR8.8 ZP	12
14	GA4403910	SPACER INSERT, ALUMINIUM BOOM RHS CHORD	2
15	GA4403915	LOCATING PLATE, SPACER INSERT, ALUMINIUM BOOM RHS CHORD	2
16	GA4404735	PLATE, BOOM CLAMP, OUTER SUPPORT	2

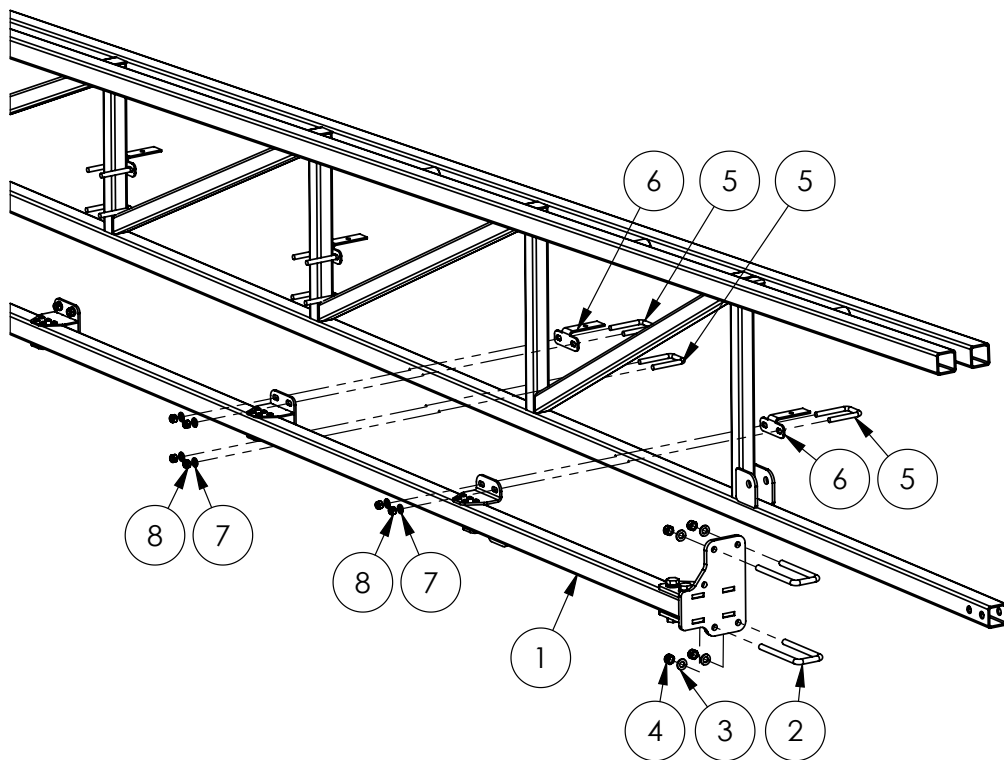
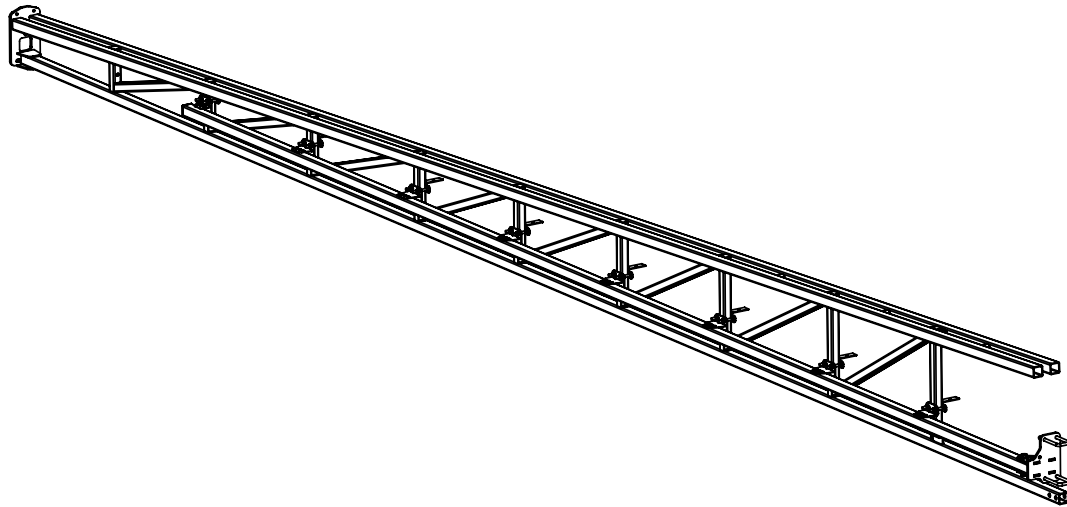
36m - Poly Brackets



Quantities shown are per side

ITEM NO.	PART NUMBER	DESCRIPTION	QTY.
1	GA4509725	PLATE, BOOM LINE MOUNT, OUTER BOOM	6
2	GA5053645	U-BOLT SQUARE TOP M10 X 52MM X 75MM	6
3	GA5000117	WASHER 10MM FLAT SS HD	12
4	GA5000141	NUT M10 NYLOC ZP	12

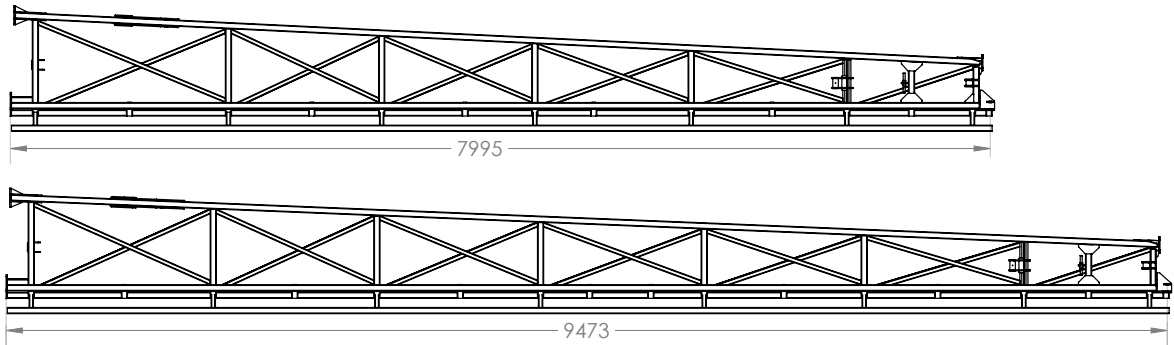
42m - Poly Brackets & 4th Chord



Quantities shown are per side

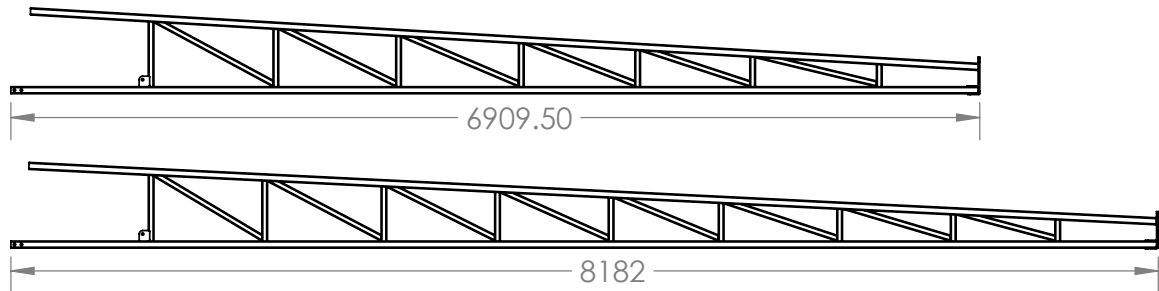
ITEM NO.	PART NUMBER	DESCRIPTION	QTY.
1	GA4949315	BOOM, 4TH CHORD, RH, 42M, RETROFIT	1
2	GA5011249	U BOLT, SQUARE TOP, M12 X 40 X 127 MM	2
3	GA5000577	WASHER 12MM FLAT SS HD	4
4	GA5012461	NUT M12 NYLOC ZP	4
5	GA5073570	U BOLT, SQUARE TOP, M10 X 43 X 82 MM	15
6	GA4405140	PLATE, BOOM LINE MOUNT, 40-50MM CENTRES, OUTER BOOM	8
7	GA5000117	WASHER 10MM FLAT SS HD	30
8	GA5000141	NUT M10 NYLOC ZP	30

36-42m - Boom Wings Inner - Steel



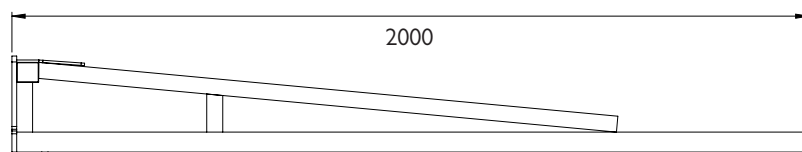
PART NUMBER	DESCRIPTION
GA4660405	BOOM INNER 36M RH - 7995MM
GA4660400	BOOM INNER 36M LH - 7995MM
GA4660705	BOOM INNER 42M RH - 9473MM
GA4660700	BOOM INNER 42M LH - 9473MM

36-42m - Boom Wings Outer - Aluminium



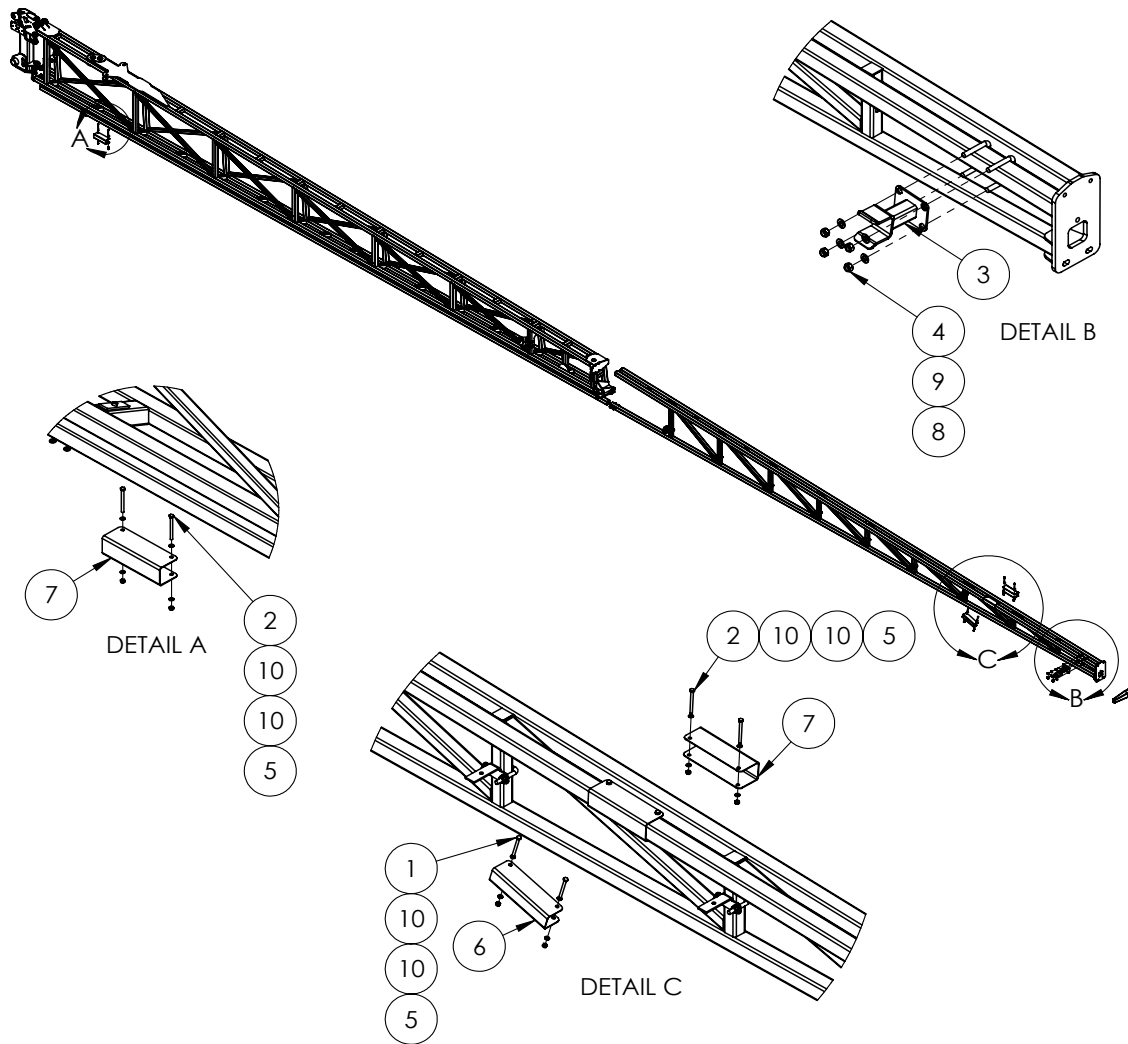
PART NUMBER	DESCRIPTION
GA4660470	BOOM OUTER, 36M ALUMINIUM LH & RH - 6910MM
GA4660920	BOOM OUTER, 42M ALUMINIUM LH & RH - 8182MM
GA4949315	BOOM, 4TH CHORD, RH, 42M, RETROFIT
GA4949290	BOOM, 4TH CHORD, LH, 42M, RETROFIT

36-42m - Breakaway Aluminium Tip



PART NUMBER	DESCRIPTION
GA4656123	ALUM BREAKAWAY 2M, SUIT 3D BREAKAWAY 2.0

36-42m - Boom Saddle & Protectors

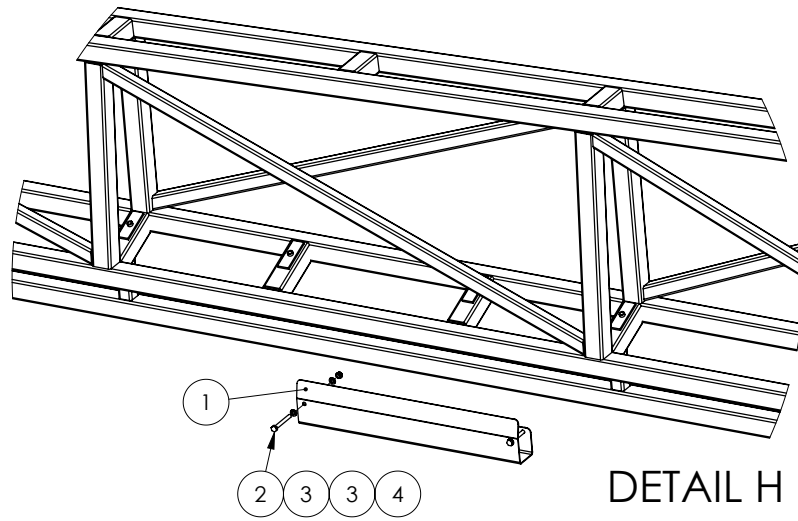


NOTE: Boom saddle components located at far ends of boom. 42m boom shown.

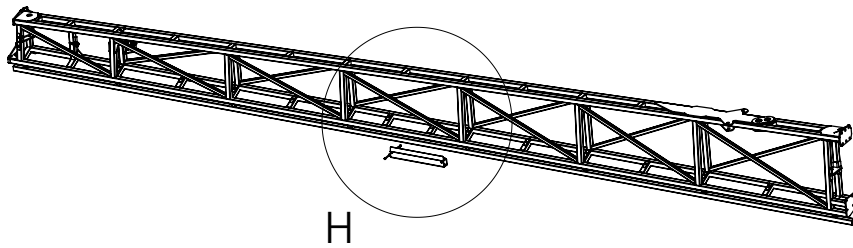
Quantities shown are per side

ITEM NO.	PART NUMBER	DESCRIPTION	QTY.
1	GA5050175	BOLT M6 X 65 GR8.8 ZP	2
2	GA5004107	BOLT M6 X 70 GR8.8 ZP	6
3	GA4661160	BOOM SUPPORT BRACKET SADDLE, TRITECH, 2016	1
4	GA5012461	NUT M12 NYLOC ZP	4
5	GA5048115	NUT M6 NYLOC ZP	8
6	F70293A	PROTECTOR, BOOM CORD, SUIT 40 X 40, 200mm, SS	1
7	F70294A	PROTECTOR, BOOM CORD, SUIT 50 X 50, 200mm, SS	3
8	GA5011251	U BOLT SQUARE TOP M12 X 52mm X 80mm	2
9	GA5000577	WASHER 12mm FLAT SS HD	4
10	GA5004437	WASHER 6mm FLAT SS	16

36-42m - Boom Slide Protectors



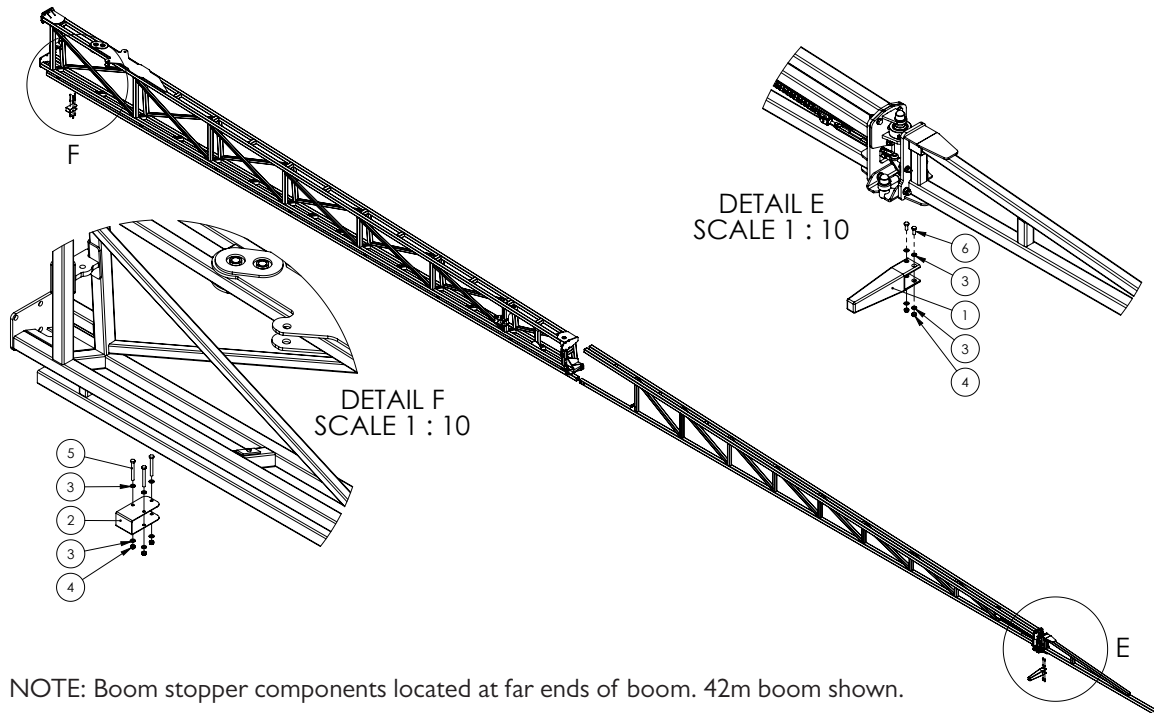
NOTE: Slide protector components located in middle of inner boom wing. 42m boom wing shown.



Quantities shown are per side

ITEM NO.	PART NUMBER	DESCRIPTION	QTY.
1	GA4402215	BOOM PROTECTOR SS FITS OVER GUSSET	1
2	GA5052710	BOLT M8 X 65 GR 8.8 ZP	2
3	GA5003651	WASHER 8MM FLAT SS	4
4	GA5052590	NUT M8 NYLOC SS	2

36-42m - Boom Stopper

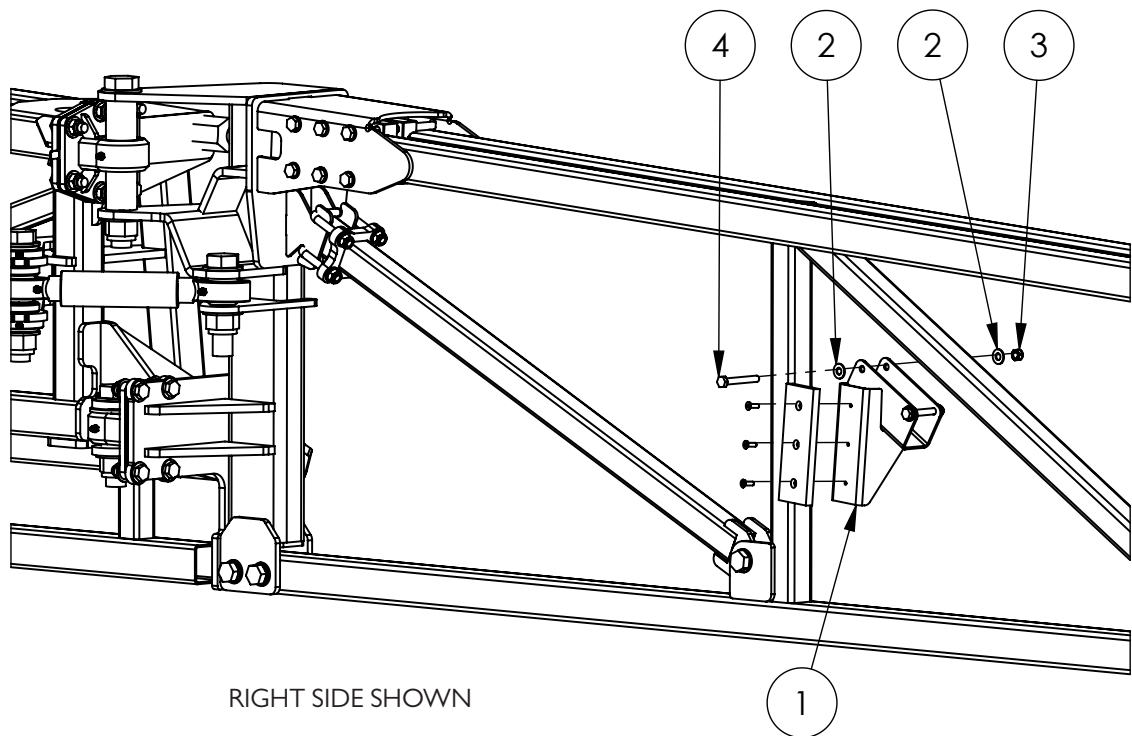


NOTE: Boom stopper components located at far ends of boom. 42m boom shown.

Quantities shown are per side

ITEM NO.	PART NUMBER	DESCRIPTION	QTY.
1	GA5006226	BOOM STOPPER, RUBBER, 210MM BUMPER, SUITS 50MM X 50MM RHS	1
2	GA4522995	EXTENSION BRACKET RUBBER BUMP STOP	1
3	GA5003651	WASHER 8MM FLAT SS	10
4	GA5052590	NUT M8 NYLOC SS	5
5	GA5004737	BOLT M8 X 70 SS A2-70	3
6	GA5004085	BOLT M8 X 20 GR8.8 ZP	2

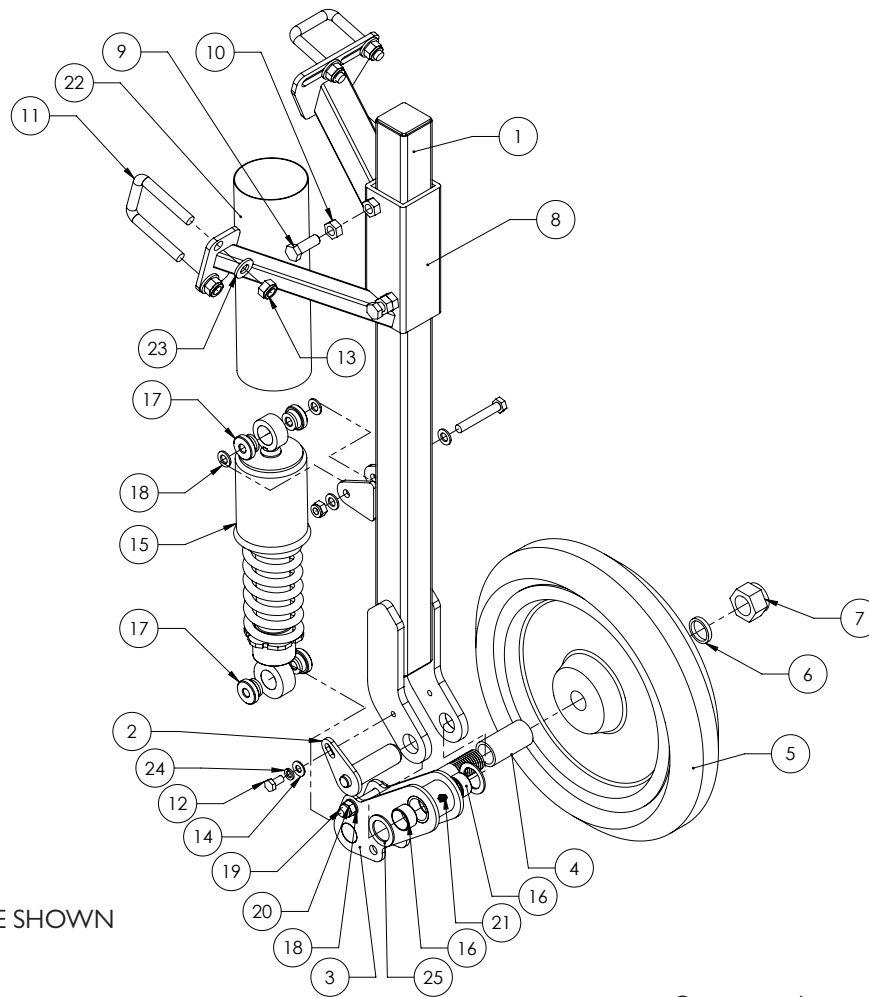
36-42m - Boom Bumper Assembly



Quantities shown are per side

ITEM NO.	PART NUMBER	DESCRIPTION	QTY.
1	GA4661165	BREAKAWAY BUMPER, LH, TRITECH	1
	GA4661170	BREAKAWAY BUMPER, RH, TRITECH	1
2	GA5003643	WASHER 8MM HD	8
3	GA5011489	BOLT M8 X 60 GR8.8 ZP	4
4	GA5004917	NUT M8 NYLOC ZP	4
5	GA5072310	PAD, PLASTIC, BREAKAWAY BUMPER, TRITECH (SUITS LH & RH)	2
6	GA5051230	CSCS M5 X 16 SS A2-70	6

36-42m - Touch Down Wheel



RIGHT SIDE SHOWN

Quantities shown are per side

ITEM NO.	PART NUMBER	DESCRIPTION	QTY
-	GA4902492	TOUCH DOWN WHEEL LH ASSEMBLY	-
-	GA4902491	TOUCH DOWN WHEEL RH ASSEMBLY	-
1	GA4657650	BOOM TOUCH DOWN WHEEL ARM	1
2	GA4657645	PIVOT PIN, SUIT BOOM TOUCH DOWN WHEEL SWING ARM	1
3	GA4657655	SWING ARM BOOM TOUCH DOWN WHEEL	1
4	GA4583030	SPACER TOUCH DOWN WHEEL	1
5	GA5052275	PRESS WHEEL 15" WITH SEALED BEARINGS	1
6	GA4535115	BEARING WASHER, SUIT TOUCH DOWN WHEEL	1
7	GA5012446	NUT 1" UNF 12 TPI NYLOC ZP	1
8	GA4657640	MOUNT BOOM TOUCH DOWN WHEEL	1
9	GA5000311	SET SCREW, M12 X 35, ZP GR 8.8	2
10	GA5000559	NUT M12 HEX ZP	2
11	GA5011251	U BOLT, SQUARE TOP, M12 X 52MM X 80MM	3
12	GA5011465	BOLT M8 X 16 ZP GR8.8	1
13	GA5012461	NUT M12 NYLOC ZP	6
14	GA5003643	WASHER 8MM FLAT SS HD	1

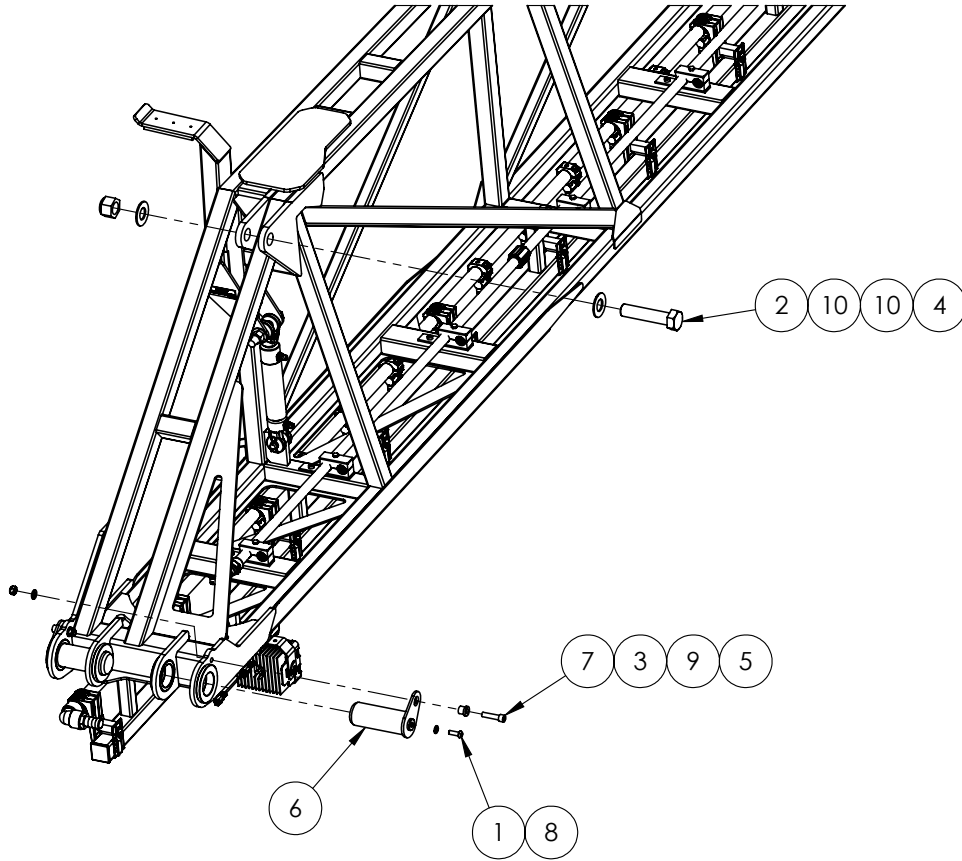
Continues Over Page

36-42m - Touch Down Wheel

ITEM NO.	PART NUMBER	DESCRIPTION	QTY
15	GA5067085	SHOCKER, UNIVERSAL, 320MM EYE TO EYE	1
16	GA5009463	GLACIER BUSH, ID 25 X 15MM LONG	2
17	GA4583100	BUSH, BLACK NYLON, 30 OD X 10 ID X 16.5MM	4
18	GA5000117	WASHER 10MM FLAT SS HD	6
19	GA5006101	BOLT M10 X 65 ZP GR8.8	2
20	GA5000141	NUT M10 NYLOC ZP	2
21	GA5012203	GREASE NIPPLE, SHORT, 1/4" UNF	1
22	GA5052375	HOSE LAY FLAT 63MM BLUE (CUT 270MM LONG)	1
23	GA5000577	WASHER 12MM FLAT SS HD	6
24	GA5004919	WASHER 8MM SPRING SS	1
25	GA4522315	WASHER, 27 ID X 40 OD X 2MM THICK, SS	2

Quantities shown are per side

48m - Boom Pivot



Quantities shown are per side

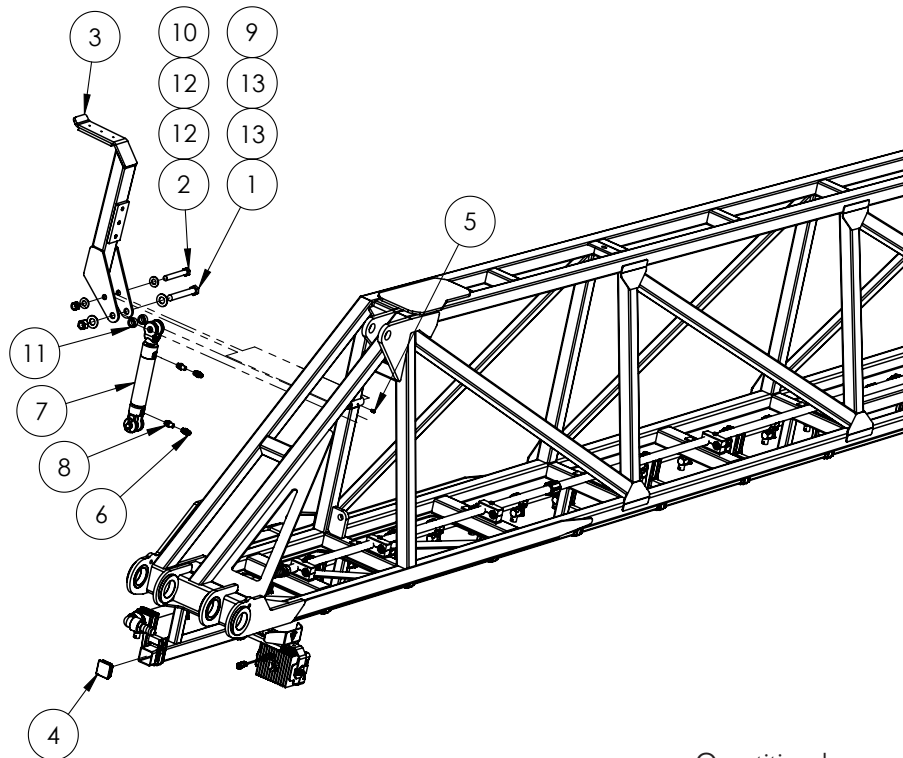
ITEM NO.	PART NUMBER	DESCRIPTION	QTY.
1	GA5048120	BHCS M10 X 30 SS A2-70	2
2	GA0500073	BOLT, 1 1/4" X 5 1/2" UNC, ZP, GR8	1
3	MACH0152	BUSH WITH SHOULDER, 12.3 ID X 25 OD X 21 LONG, SUIT PARALIFT PIN BOLTS	2
4	GA0500071	NUT 1 1/4", NYLOC, ZP, UNC	1
5	GA5012461	NUT M12 NYLOC ZP	2
6	GA4600625	PIN, BOOM TILT PIVOT, 60mm OD, FABRICATED, 48M	2
7	GA0500052	SHCS, M12 X 50 GR10.9, ZP	2
8	GA5000117	WASHER 10mm FLAT SS HD	2
9	GA5000577	WASHER 12mm FLAT SS HD	2
10	GA0500072	WASHER, 1 1/4", FLAT, OD 66 X ID 33.3 X 5mm, ZP	2

48m - Boom Catch

NOTE:

G8 ITEM (8) FITTED

G6/PRAIRIE PRO ITEM (6) FITTED



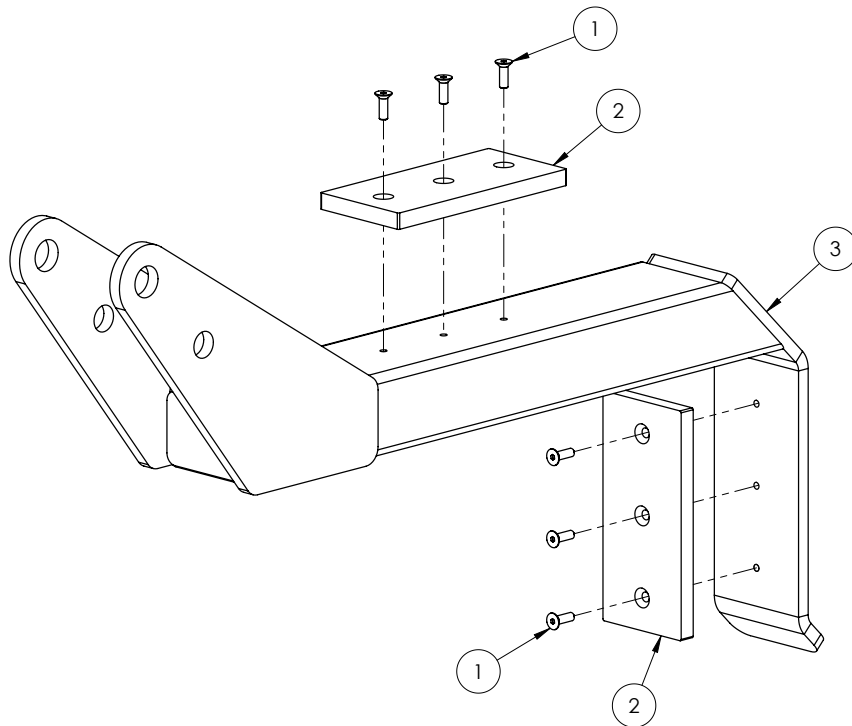
Quantities shown are per side

ITEM NO.	PART NUMBER	DESCRIPTION	QTY.
1	GA5070335	BOLT 3/4 UNC X 5 1/2 GR8 ZP	1
2	GA5011275	BOLT M16 X 120 GR8.8 ZP	1
3	GA4949075	BOOM CATCH ASSEMBLY, 48M BOOM	1
4	GA5024720	END CAP, PLASTIC, BLACK, INSERT, RHS. 50 X 50, 2.4 - 4.0mm WALL	2
5	GA5012203	GREASE NIPPLE, SHORT, 1/4 UNF, MACH0207	1
6	GA3500146	HYDRAULIC ADAPTOR, 9/16" JICM, 9/16" UNOM, S90-0909, RYCO	2
7	GA3500601	HYDRAULIC CYLINDER, DOUBLE ACTING, 1.5" BORE, 0.875" ROD, 4" STROKE	1
8	GA3500358	HYDRAULIC ADAPTOR, NIPPLE, 1/4" BSPT MALE X 9/16" UN MALE O-RING	2
9	GA5048430	NUT 3/4 UNC NYLOC ZP	1
10	GA5001029	NUT M16 NYLOC ZP	1
11	GA4553270	SPACER, ID19.5, OD40, 48m BOOM CATCH RAM SPACER	2
12	GA5001043	WASHER 16mm FLAT SS HD	2
13	GA5001045	WASHER, 3/4" FLAT, HD ZP	2

* Sub-assembly on following pages

^ See Chapter 18 'Hydraulics' for sub-assembly

48m - Boom Catch Assembly



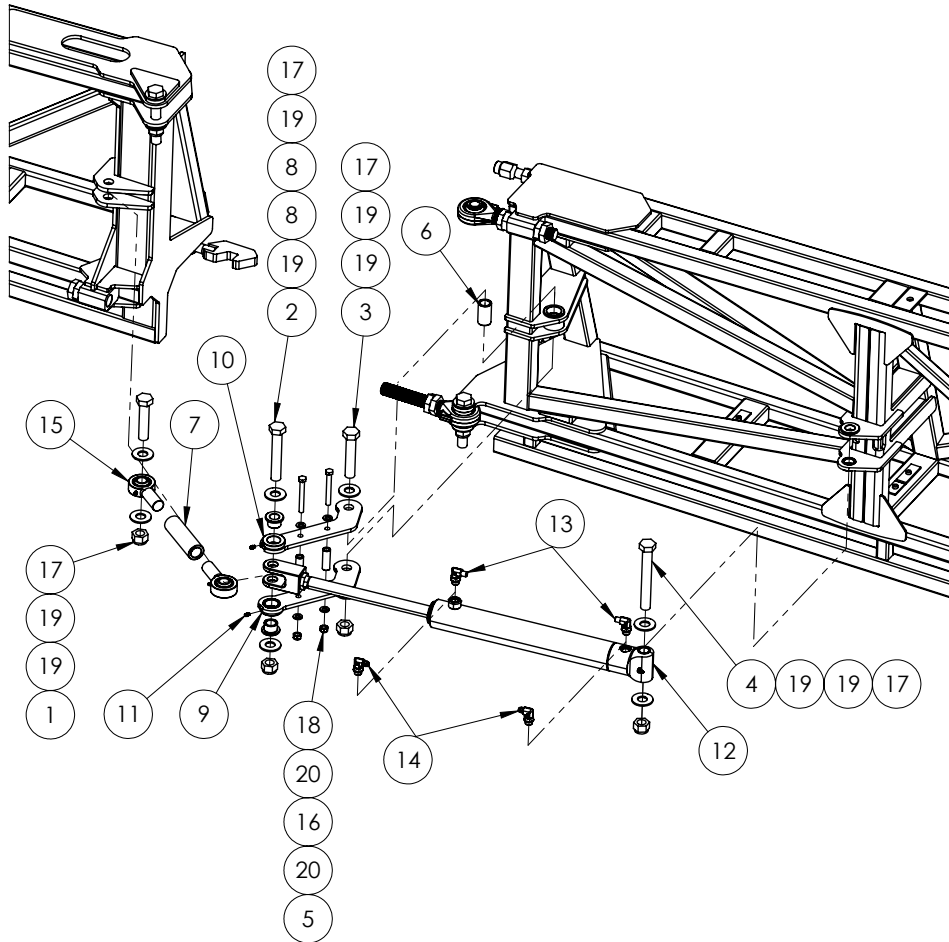
ITEM NO.	PART NUMBER	DESCRIPTION	QTY.
1	GA5051230	CSCS M5 X 16 SS A2-70	6
2	GA5072450	PLASTIC WEAR STRIP BOOM REST POLYSTONE 7000SR 65 X 140 X 10mm	2
3	GA4600730	TRANSPORT CATCH ARM, 48M BOOM	1

48m - Second Stage Fold

NOTE:

IF G8 FIT ITEM (13)

IF G6 OR PRAIRIE PRO FIT ITEM (14)



Quantities shown are per side

ITEM NO.	PART NUMBER	DESCRIPTION	QTY.
1	GA5006149	BOLT 1 UNC X 4 1/2 GR8 ZP	1
2	GA5006033	BOLT 1" UNC X 6" ZP	1
3	GA5006031	BOLT 1" X 5" UNC GR8 ZP	1
4	GA5006037	BOLT 1" X 7.5" UNC GR8 ZP	1
5	GA5000259	BOLT M12 X 100 GR8.8 ZP	2
6	GA4550210	BUSH, FOLD LINK BOOM END, TRITECH BOOM 2015	1
7	GA4550230	BUSH, ROSE END LINK, 1 1/4"UNF, 150mm LONG, TRITECH BOOM 2015	1
8	GA4550205	FLANGE BUSH, ROD END PIVOT, TRITECH BOOM 2015	2
9	GA4601005	FOLD LINK A, TOP, ROD END, TRITECH BOOM 2015	1
10	GA4601010	FOLD LINK B, TOP, ROD END, TRITECH BOOM 2015	1
11	GA5012203	GREASE NIPPLE, SHORT, 1/4 UNF, MACH0207	2

Continues Over Page

48m - Second Stage Fold

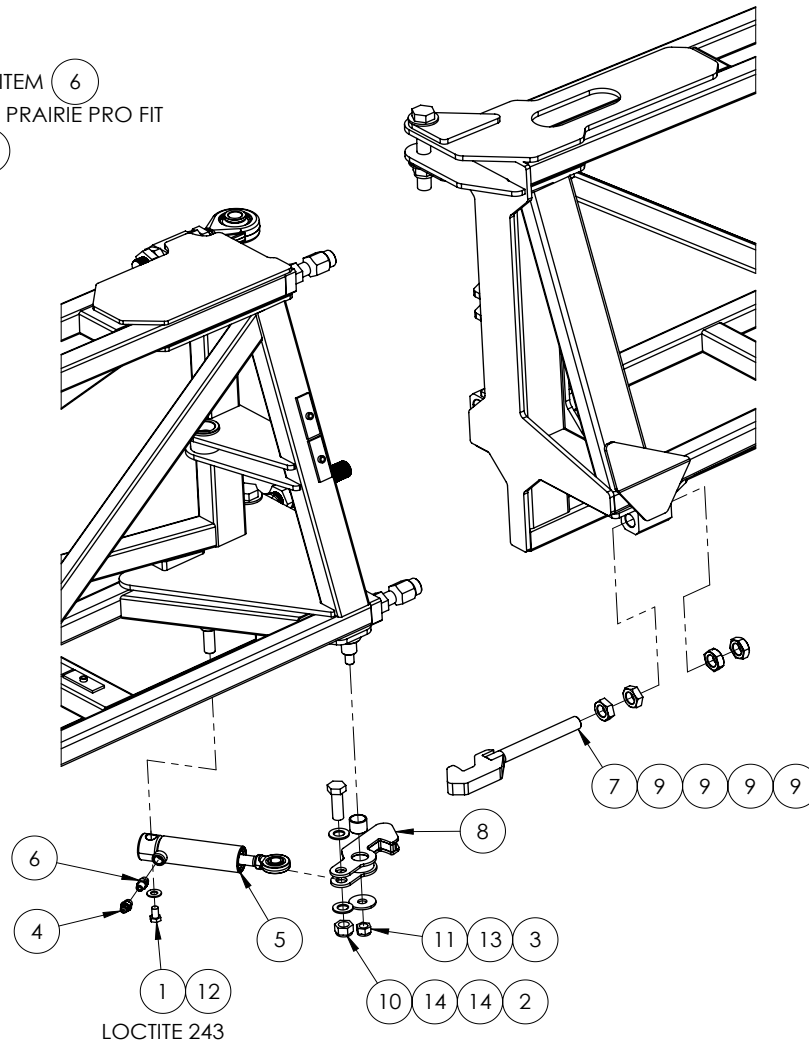
ITEM NO.	PART NUMBER	DESCRIPTION	QTY.
12	GA3500060	HYDRAULIC CYLINDER, BORE 2.5", ROD 1.25", STROKE 400mm	1
13	GA3500348	HYDRAULIC ADAPTOR, ELBOW, 90 DEGREE, 1/4" BSPT MALE X 3/4" UN MALE O-RING	2
14	GA3500700	HYDRAULIC ADAPTOR, ELBOW, 90 DEGREE, 9/16" JIC MALE X 3/4" UN MALE O-RING, S91-0912	2
15	GA5070530	LARGE ROSE END 1" X 1 1/4" UNF BB074-VM16	2
16	GA4550215	LINK SPACER, TRITECH BOOM 2015	2
17	GA5012439	NUT 1" NYLOC UNC ZP	4
18	GA5012461	NUT M12 NYLOC ZP2	2
19	GA5017659	WASHER 1 FLAT ZP HD (5mm THICK)8	8
20	GA5000577	WASHER 12mm FLAT SS HD	4

* Sub-assembly on following pages

^ See Chapter 18 'Hydraulics' for sub-assembly

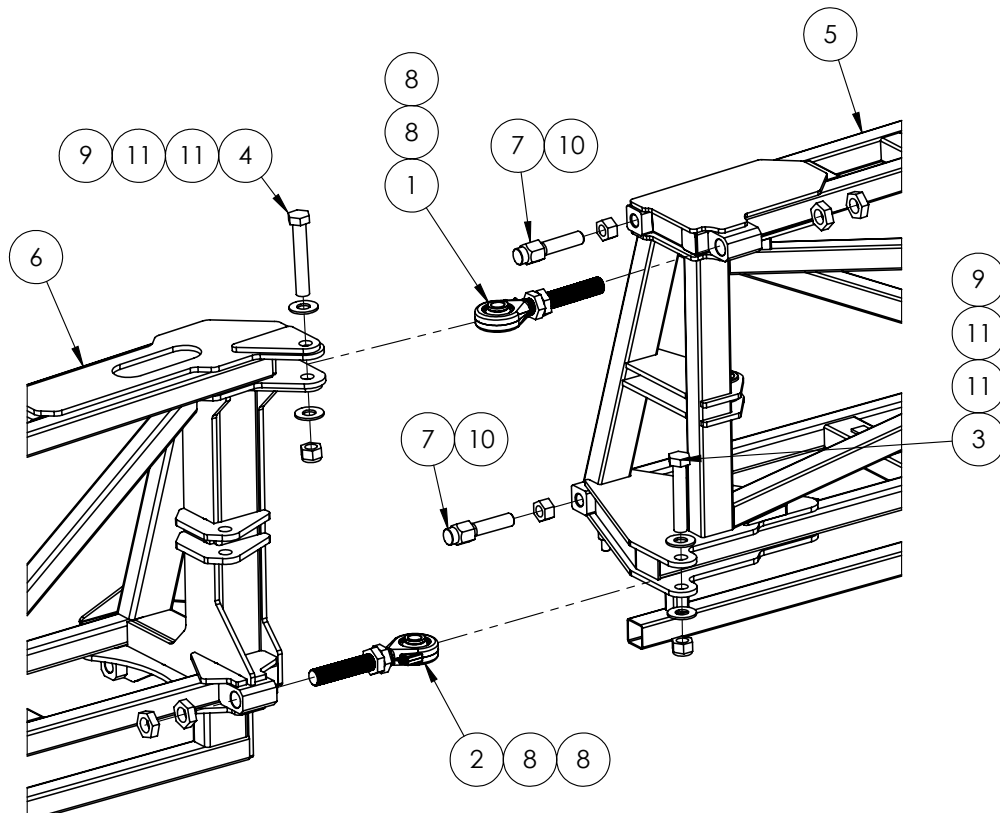
48m - Second Stage Fold - Latch Assembly

NOTE:
 IF G8 FIT ITEM 6
 IF G6 OR PRAIRIE PRO FIT
 ITEM 4



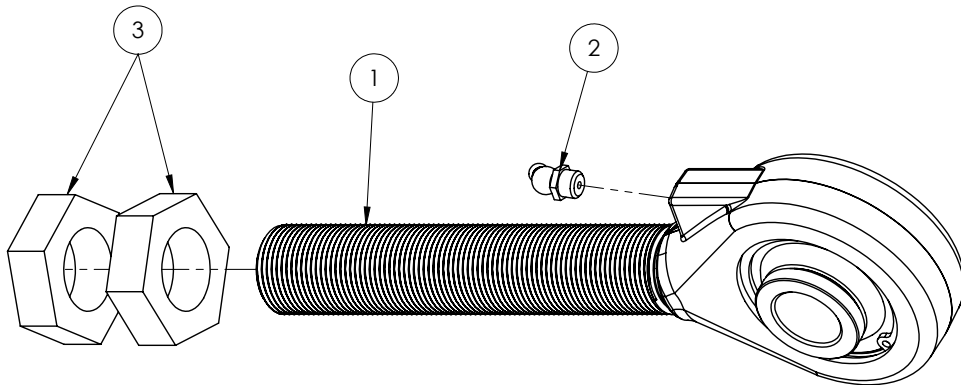
ITEM NO.	PART NUMBER	DESCRIPTION	QTY.
1	GA5011227	BOLT M12 X 20 GR8.8 ZP	1
2	GA5011333	BOLT M20 X 60 GR8.8 ZP	1
3	GA5074375	GLACIER BUSH, 28 ID X 25 LONG, PG283225F	1
4	GA3500146	HYDRAULIC ADAPTOR, 9/16" JICM, 9/16" UNOM, S90-0909, RYCO	1
5	GA3500480	HYDRAULIC CYLINDER, LATCH, 48m BOOM	1
6	GA3500358	HYDRAULIC ADAPTOR, NIPPLE, 1/4" BSPT MALE X 9/16" UN MALE O-RING	1
7	GA4600725	LATCH HOOK, ADJUSTER, 48m BOOM1	1
8	GA4604055	LATCH HOOK, 28mm PIVOT, 48M BOOM, MY22	1
9	GA0500048	LOCK NUT, 1" UNF 12 TPI, ZP	4
10	GA5012467	M20 NYLOC NUT	1
11	GA5012463	NUT M16 NYLOC SS	1
12	GA5017673	WASHER 1/2" HIGH TENSILE	1
13	GA5011955	WASHER 16mm X 50 X 4 MUDGUARD ZP	1
14	GA5001741	WASHER 20mm FLAT SS HD	2

48m - Second Stage Fold - Rose Ends & Boom Stops



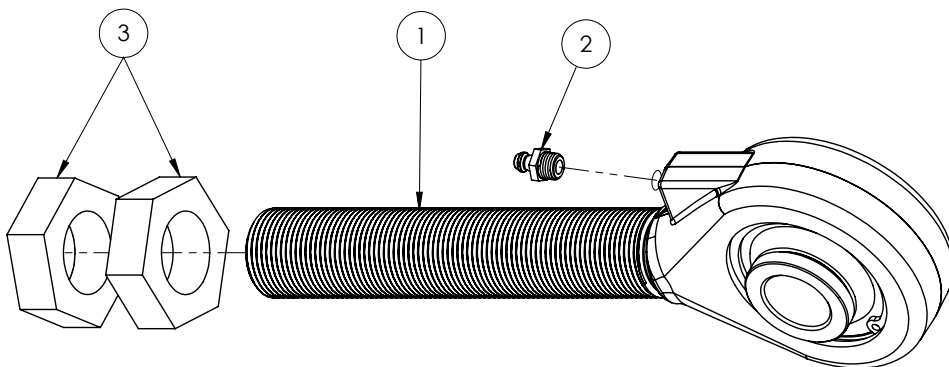
ITEM NO.	PART NUMBER	DESCRIPTION	QTY.
1	GA4914385	ASSEMBLY DRAWING ONLY, ROSE END BEARING, BOOM 48M, FORGED, TOP	1
2	GA4914375	ASSEMBLY DRAWING ONLY, ROSE END BEARING, BOOM 48M, FORGED	1
3	GA5048175	BOLT 1 UNC X 5 1/2 GR8 ZP	1
4	GA5006033	BOLT 1" UNC X 6" ZP	1
5	GA4600635	BOOM WING, INNER, 48M, LH, STEEL	1
6	GA4603615	BOOM WING, MID, 48M, LH, ALUMINIUM, ANGLE OUTER FOLD	1
7	GA4572495	BOOM DRUM STOPPER BOLT 1" UNF 12 TPI	2
8	GA5010963	NUT 1 1/4 UNF 12 TPI ZP LOCK NUT	4
9	GA5012439	NUT 1" NYLOC UNC ZP	2
10	GA5010991	NUT, 1" UNF, 12 TPI, ZP	2
11	GA5017659	WASHER 1 FLAT ZP HD (5mm THICK)	4

Rose End Assembly, Forged - Top



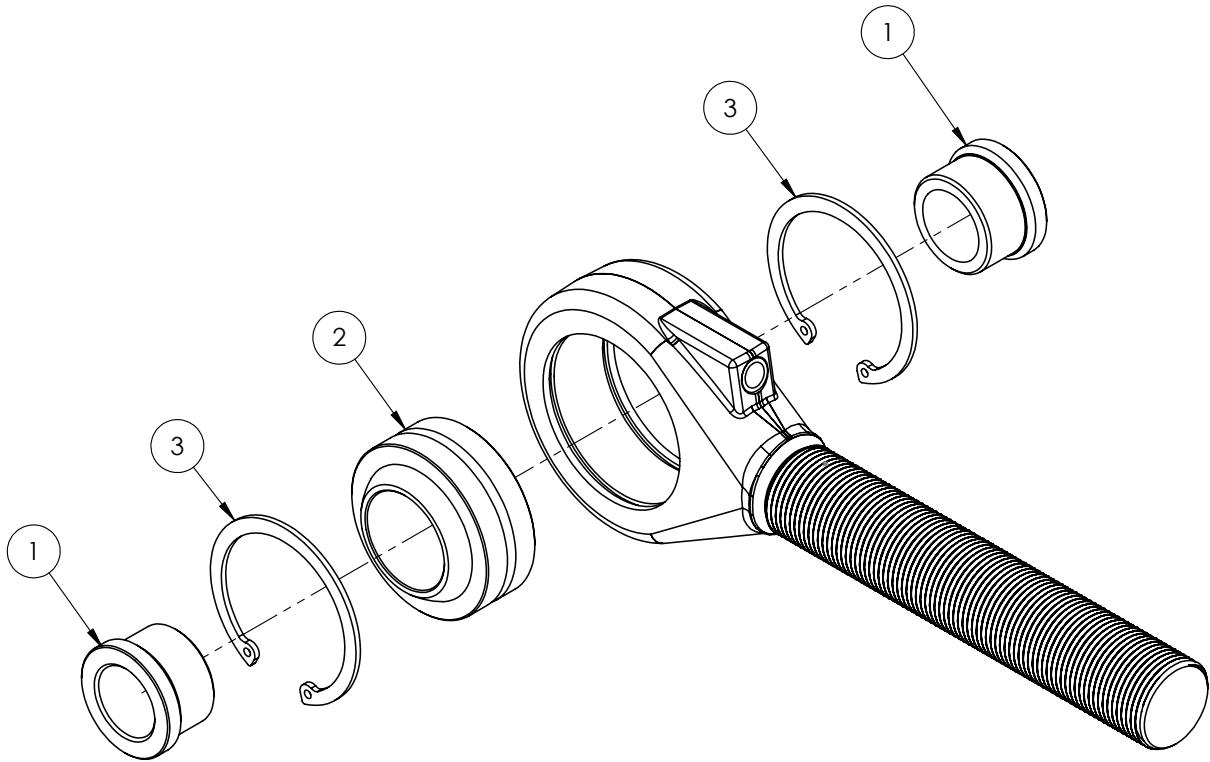
ITEM NO.	PART NUMBER	DESCRIPTION	QTY.
1	GA5078654	BEARING END, ASSEMBLY, 1 1/4-12 UNF THREAD, C/W GEH 35 ES-2RS BEARING, BUSHED DIA. 25.5	1
2	GA5055125	GREASE NIPPLE, ELBOW, 45 DEGREE, 1/8 BSP MALE	1
3	GA5010963	NUT 1 1/4 UNF 12 TPI ZP LOCK NUT	2

Rose End Assembly, Forged - Bottom



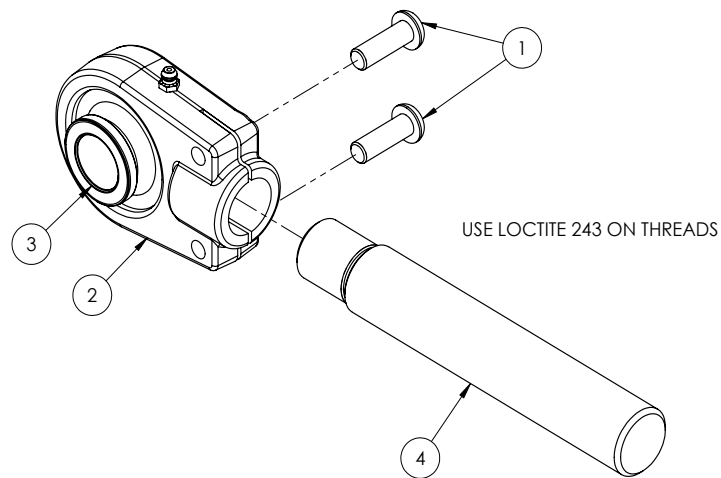
ITEM NO.	PART NUMBER	DESCRIPTION	QTY.
1	GA5078654	BEARING END, ASSEMBLY, 1 1/4-12 UNF THREAD, C/W GEH 35 ES-2RS BEARING, BUSHED DIA. 25.5	1
2	GA5069980	GREASE NIPPLE, 1/8 BSPP, STRAIGHT	1
3	GA5010963	NUT 1 1/4 UNF 12 TPI ZP LOCK NUT	2

Rose End, Forged



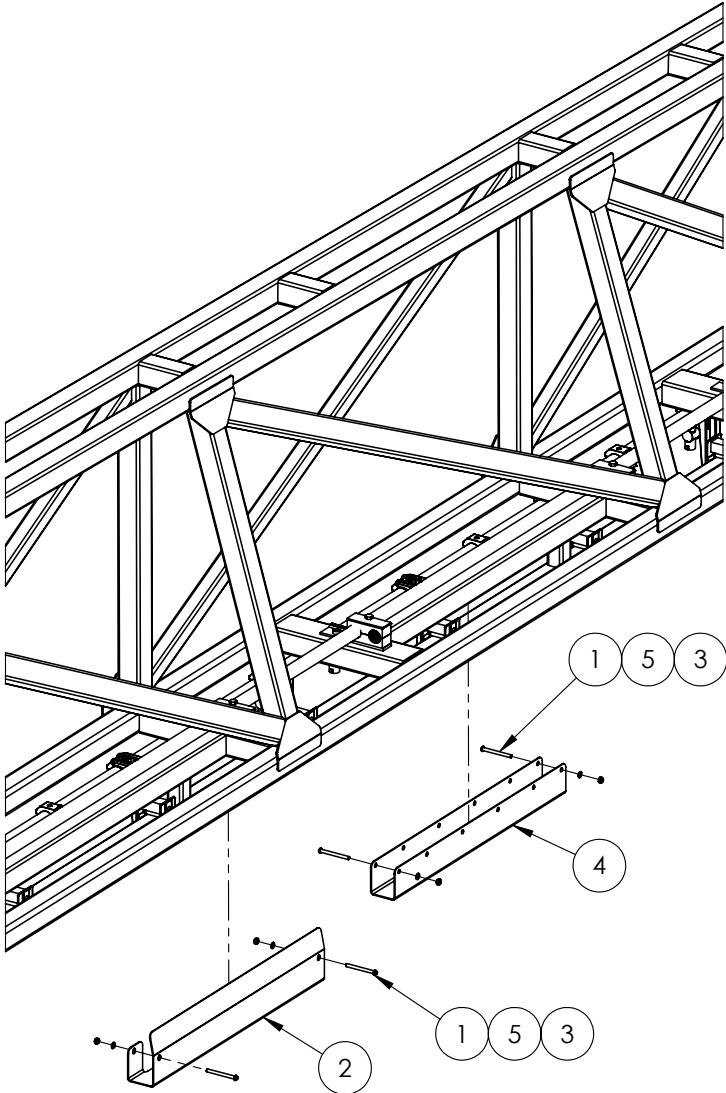
ITEM NO.	PART NUMBER	DESCRIPTION	QTY.
1	GA4583505	BEARING BUSH, FLANGED, ID 25.5, OD 35	2
2	GA5078655	BEARING, RADIAL SPHERICAL PLAIN, ID 35, OD 62, NOMINAL WIDTH 35, GEH 35 ES-2RS	1
3	GA5078656	CIRCLIP, SUIT 62mm BORE, 62MM-INT	2

48m - Boom Bearing End Assembly



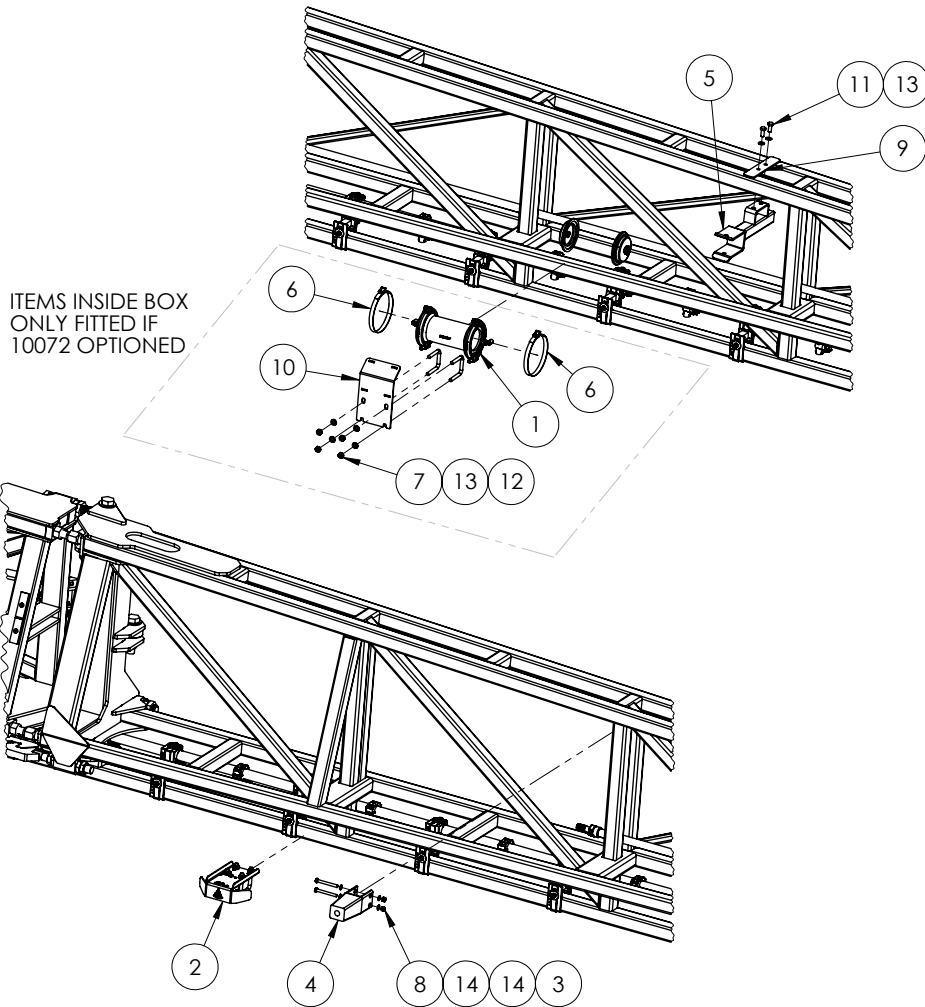
ITEM NO.	PART NUMBER	DESCRIPTION	QTY.
1	GA5048120	BHCS M10 X 30 SS A2-70	2
2	GA5052965	BEARING, ROSE END HOUSING, M28 SCREW ON, SUIT HYDRAULIC CYLINDER & DELTA LINK, INC. BUSHES	1
3	GA5021925	SMALL BEARING BUSH, SUIT SCREW ON ROSE END, HYPOWER, R-10424	2
4	GA4550645	THREADED BOOM PIVOT ADJUSTER, 1 1/4" UNF AND M28 THREADS, 48M BOOM	1

48m - Second Stage Fold - Boom Protectors



ITEM NO.	PART NUMBER	DESCRIPTION	QTY.
1	GA0500067	BHCS M6 X 65 GR12.9 ZP	4
2	GA4402215	BOOM PROTECTOR SS FITS OVER GUSSET MY17	1
3	GA5048115	NUT M6 NYLOC ZP	4
4	F70799A	PROTECTOR, BOOM CORD, SUIT 50 X 50, 600mm, SS	1
5	GA5004437	WASHER 6mm FLAT SS	4

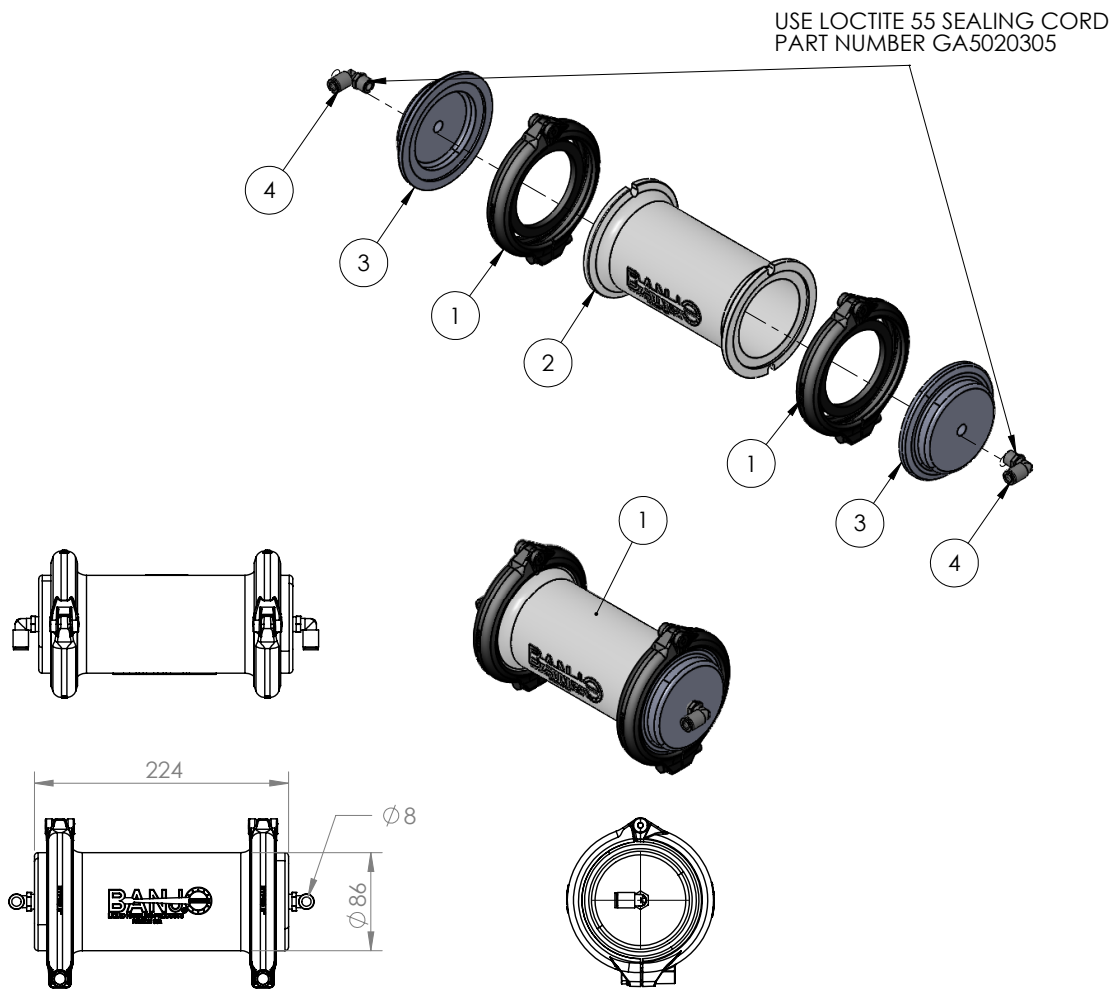
48m - Rapid Fire Air Tank & XRT Sensor Mounting



Sub-assembly on following pages

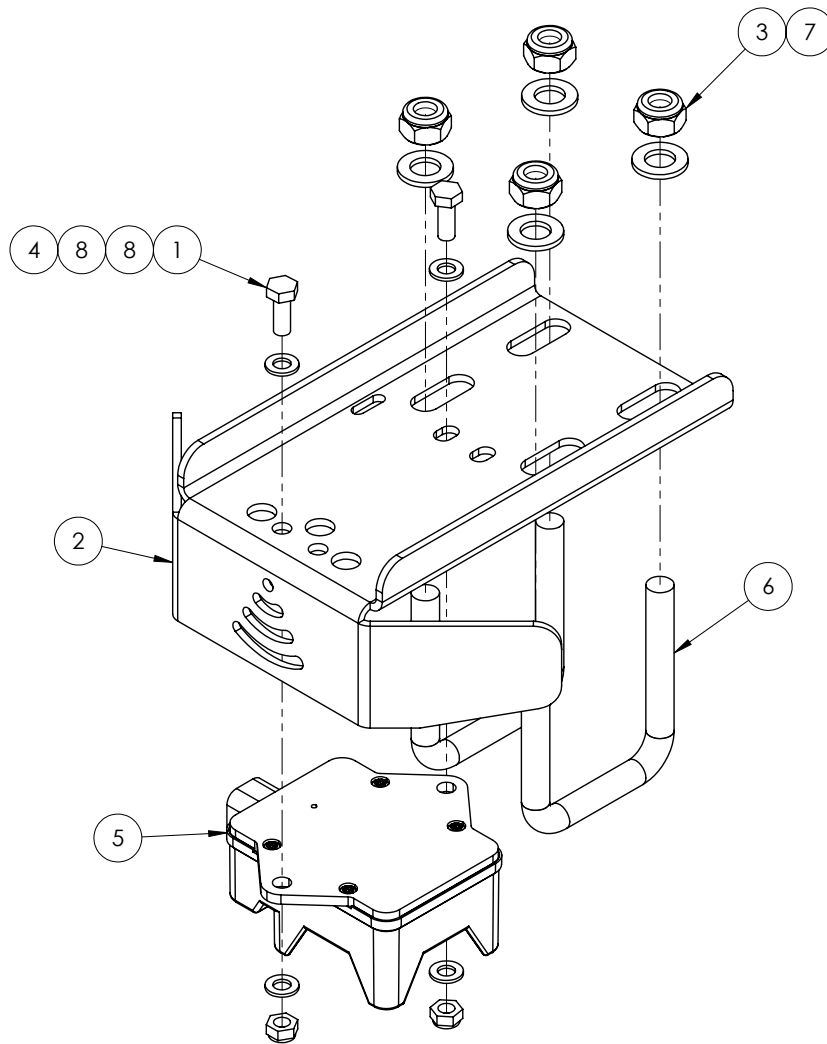
ITEM NO.	PART NUMBER	DESCRIPTION	QTY.
1	GA4949330	AIR TANK, 0.9L, PLASTIC, 10 BAR, SUIT RAPID FIRE 3TS PRO	1
2	GA4952700	ASSEMBLY DRAWING ONLY, BRACKET, SENSOR, RAVEN XRT, SUITS TRITECH MY23	1
3	GA5052600	BOLT M8 X 75 SS A2-70	2
4	GA4908815	BOOM STOPPER 110mm LONG	1
5	GA4603651	BOOM SUPPORT BRACKET, 48M, OUTER WING, MY21	1
6	GA5053945	HOSE CLAMP 51mm-130mm - QUICK RELEASE	2
7	GA5051445	NUT M10 NYLOC SS4	4
8	GA5052590	NUT M8 NYLOC SS	2
9	GA4409765	PLATE, CLAMP, BOOM SUPPORT BRACKET, 48M, OUTER WING, MY21	1
10	GA4414755	PLATE, MOUNT BOOM, 3TS PRO AIR TANK	1
11	GA5006161	SET SCREW M10 X 25 GR8.8 ZP	2
12	GA5053645	U BOLT SQUARE TOP M10 X 52 X 75	2
13	GA5000117	WASHER 10mm FLAT SS HD	6
14	GA5003643	WASHER 8mm FLAT SS HD	4

Rapid Fire Air Tank Assembly



ITEM NO.	PART NUMBER	DESCRIPTION	QTY.
1	GA2000116	FLANGE CLAMP, AND GASKET, 3", SERIES 300, HYPRO	2
2	GA2000139	PLUMBING FITTING, 3" X 3" FULL PORT FLANGE X 7" LONG, BANJO M300CPG7	1
3	GA2000140	PLUMBING FITTING, 3" MANIFOLD PLUG WITH 1/4" BSP FEMALE, FLANGE, MADE FROM GA5077880 BANJO M300PLG	2
4	GA5052690	PNEUMATIC FITTING, ELBOW, 90 DEGREE, 1/4 BSP MALE X 8mm PUSH TYPE, METAL	2

Raven XRT Sensor & Bracket Assembly



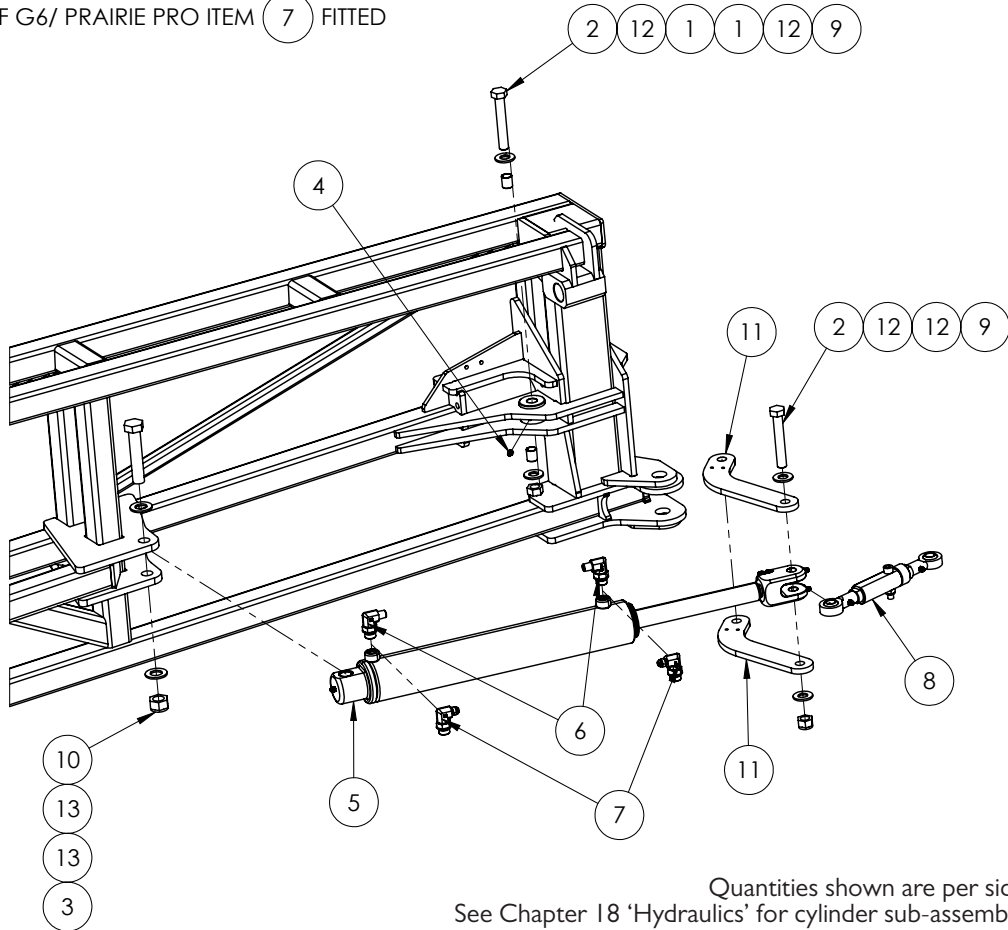
ITEM NO.	PART NUMBER	DESCRIPTION	QTY.
1	GA5011395	BOLT M6 X 16 SS A2-70	2
2	GA4411280	BRACKET, RAVEN XRT RADAR SENSOR / LIGHT MOUNT, BOOM, WITH FRONT SHIELD	1
3	GA5051445	NUT M10 NYLOC SS	4
4	GA5004429	NUT M6 NYLOC SS	2
5	GA3000382	SENSOR, RAVEN XRT BOOM HEIGHT RADAR, 063- 0173-962	1
6	GA5053645	U BOLT SQUARE TOP M10 X 52 X 75	2
7	GA5000117	WASHER 10mm FLAT SS HD	4
8	GA5004437	WASHER 6mm FLAT SS	4

48m - Third Stage Fold

NOTE:

IF G8 ITEM **6** FITTED

IF G6/ PRAIRIE PRO ITEM **7** FITTED

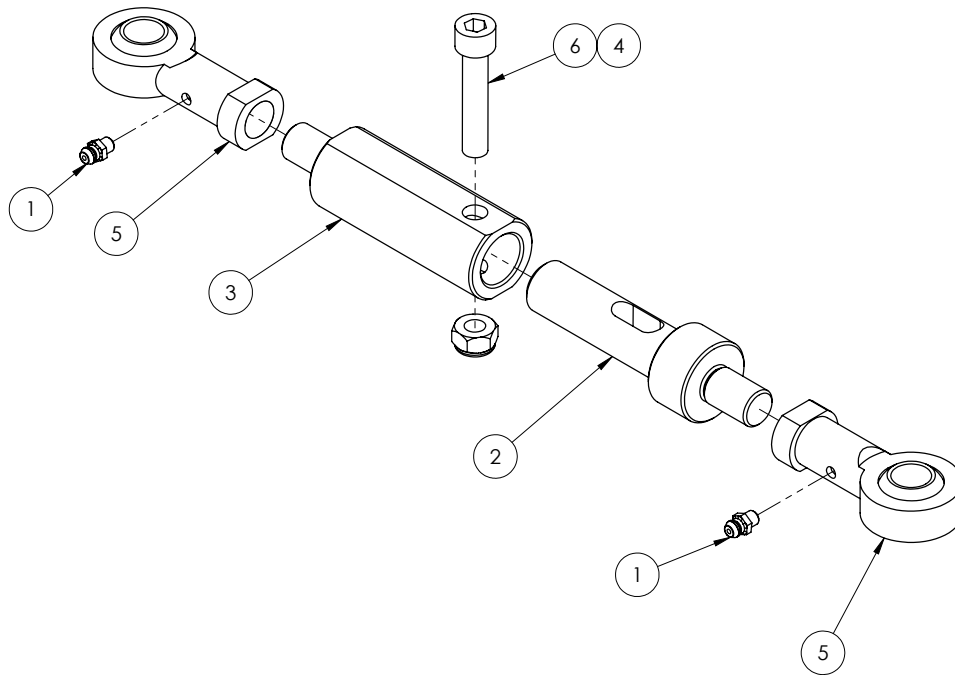


Quantities shown are per side
See Chapter 18 'Hydraulics' for cylinder sub-assembly

ITEM NO.	PART NUMBER	DESCRIPTION	QTY.
1	GA1700013	BEARING, GLACIER BUSH, 16mm ID X 20mm LONG	2
2	GA5011269	BOLT M16 X 100 GR8.8 ZP	2
3	GA5048355	BOLT M20 X 100 GR8.8 ZP	1
4	GA5050450	GREASE NIPPLE, 6mm	1
5	GA3501082	HYDRAULIC CYLINDER, 2.5" X 1.25" X 395, 3RD STAGE FOLD, 48m	1
6	GA3500348	HYDRAULIC ADAPTOR, ELBOW, 90 DEGREE, 1/4" BSPT MALE X 3/4" UN MALE O-RING	2
7	GA3500700	HYDRAULIC ADAPTOR, ELBOW, 90 DEGREE, 9/16" JIC MALE X 3/4" UN MALE O-RING, S91-0912	2
8	GA4902265	LINK ASSEMBLY, THIRD STAGE FOLD, 48M BOOM	1
9	GA5012463	NUT M16 NYLOC SS	2
10	GA5048125	NUT M20 NYLOC COARSE ZP	1
11	GA4401080	PLATE, FOLD LINK, OUTER FOLD, 48m BOOM	2
12	GA5001043	WASHER 16mm FLAT SS HD	4
13	GA5001741	WASHER 20mm FLAT SS HD	2

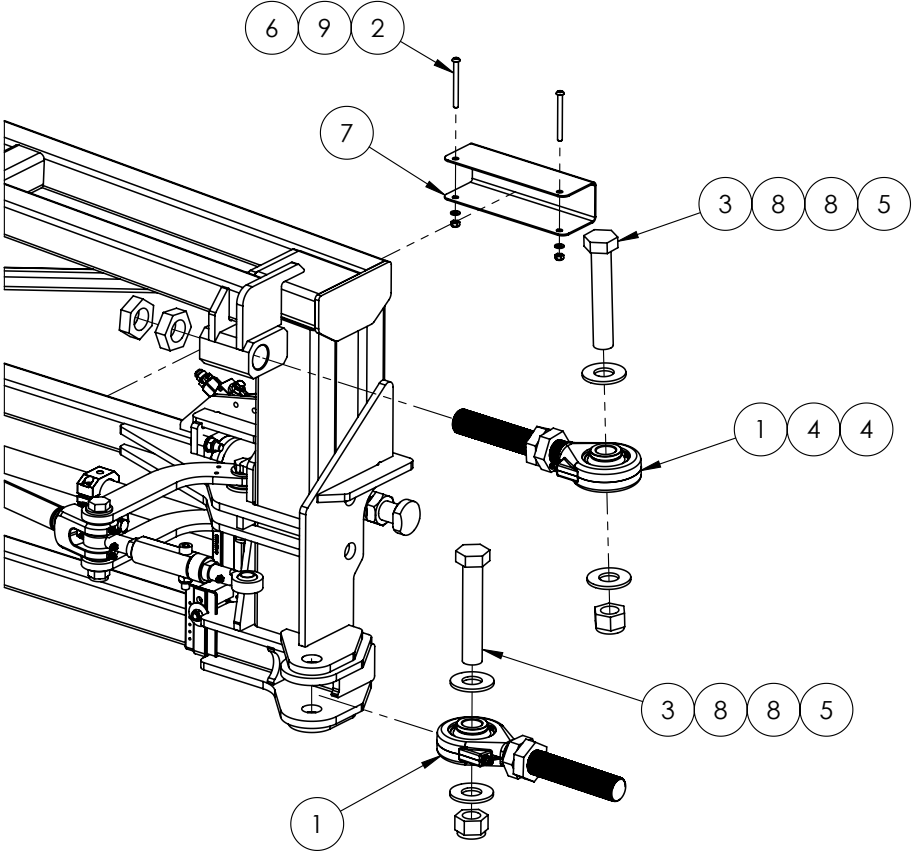
Continues Over Page

48m - Third Stage Fold - Link Assembly



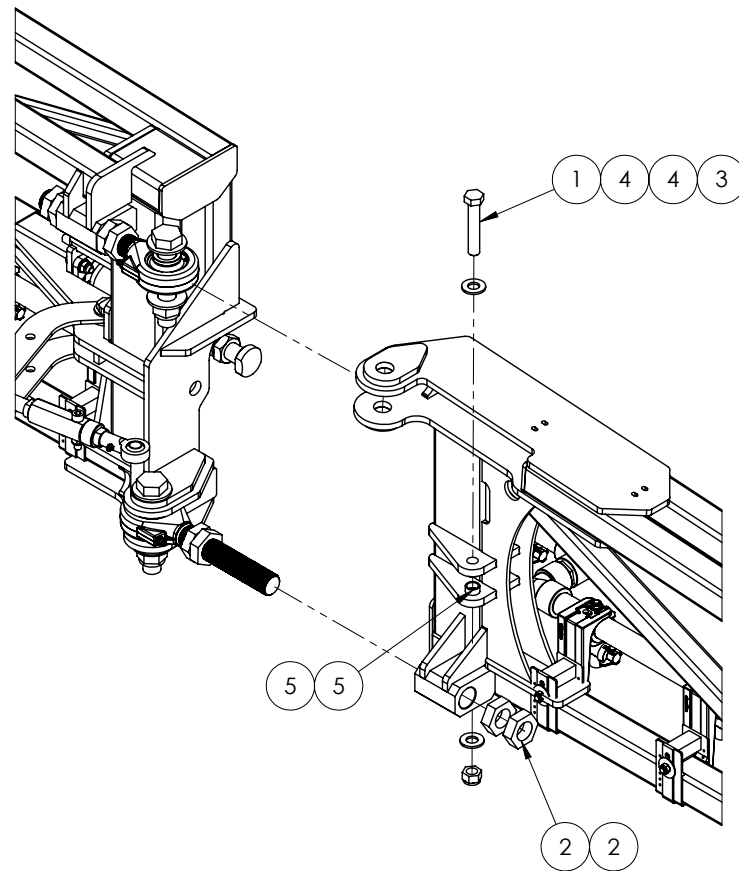
ITEM NO.	PART NUMBER	DESCRIPTION	QTY.
1	GA5050450	GREASE NIPPLE, 6mm	2
2	GA4550905	LINK, INNER, THIRD FOLD, 48m BOOM	1
3	GA4550900	LINK, OUTER, THIRD FOLD, 48m BOOM	1
4	GA5000141	NUT M10 NYLOC ZP	1
5	GA5014469	ROD END FEMALE 16mm	2
6	GA5049990	SHCS M10 X 50 GR 12.9 ZP	1

48m - Third Stage Fold - Rose Ends



ITEM NO.	PART NUMBER	DESCRIPTION	QTY.
1	GA4914375	ASSEMBLY DRAWING ONLY, ROSE END BEARING, BOOM 48M, FORGED	2
2	GA0500067	BHCS M6 X 65 GR12.9 ZP	2
3	GA5048175	BOLT 1 UNC X 5 1/2 GR8 ZP	2
4	GA5010963	NUT 1 1/4 UNF 12 TPI ZP LOCK NUT	2
5	GA5012439	NUT 1" NYLOC UNC ZP	2
6	GA5048115	NUT M6 NYLOC ZP	2
7	F70294A	PROTECTOR, BOOM CORD, SUIT 50 X 50, 200mm, SS	1
8	GA5017659	WASHER 1 FLAT ZP HD (5mm THICK)	4
9	GA5004437	WASHER 6mm FLAT SS	2

48m - Third Stage Fold - Rose End Linkage



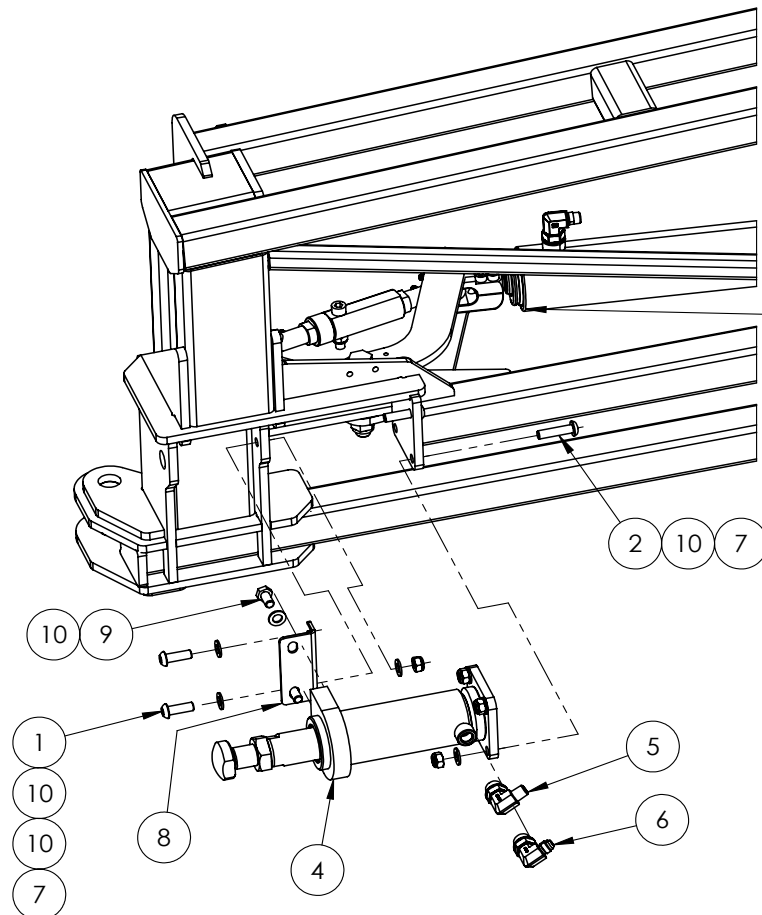
ITEM NO.	PART NUMBER	DESCRIPTION	QTY.
1	GA5011297	BOLT M16 X 90 GR8.8 ZP	1
2	GA5010963	NUT 1 1/4 UNF 12 TPI ZP LOCK NUT	2
3	GA5012463	NUT M16 NYLOC SS	1
4	GA5001043	WASHER 16mm FLAT SS HD	2
5	GA4552070	CRUSH TUBE 16.2X20.5X9.5	2

48m - Third Stage Fold - Cylinder Mounting Assembly

NOTE:

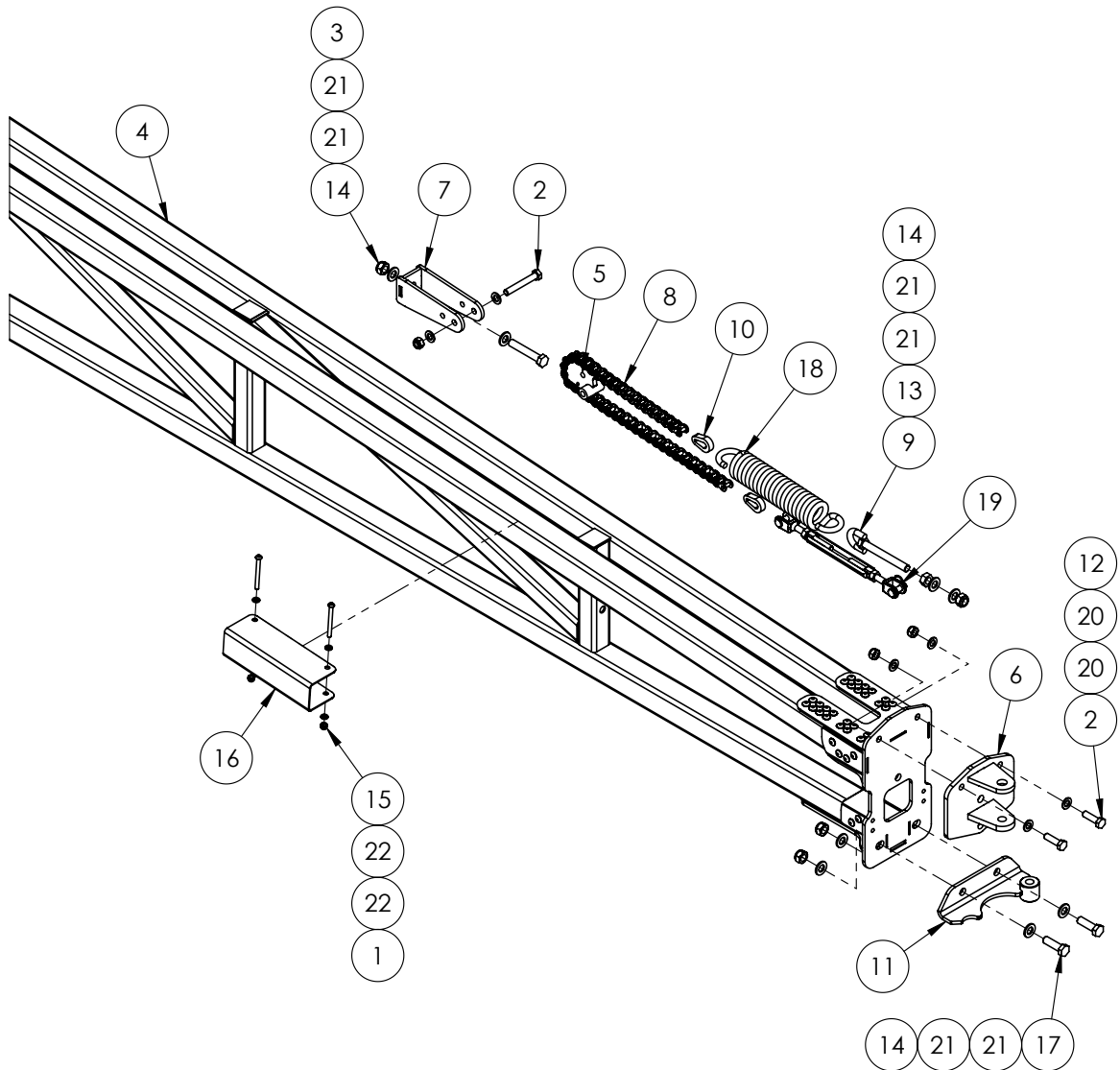
IF G8 ITEM (5) FITTED

IF G6/ PRAIRIE PRO ITEM (6) FITTED



ITEM NO.	PART NUMBER	DESCRIPTION	QTY.
1	GA5048120	BHCS M10 X 30 SS A2-70	2
2	GA5006059	BHCS M10 X 40 GR12.9 ZP	4
3	GA3501082	HYDRAULIC CYLINDER, 2.5" X 1.25" X 395, 3RD STAGE FOLD, 48m	1
4	GA3500479	HYDRAULIC CYLINDER, 2", BORE 1.5", ROD, 80mm STROKE, BREAKAWAY, 48M BOOM	1
5	GA3500348	HYDRAULIC ADAPTOR, ELBOW, 90 DEGREE, 1/4" BSPT MALE X 3/4" UN MALE O-RING	3
6	GA3500700	HYDRAULIC ADAPTOR, ELBOW, 90 DEGREE, 9/16" JIC MALE X 3/4" UN MALE O-RING, S91-0912	3
7	GA5051445	NUT M10 NYLOC SS	6
8	GA4401860	PLATE, MOUNT BRACKET, BREAKAWAY CYLINDER SUPPORT, 48m BOOM	1
9	GA5006113	SET SCREW M10 X 20 GR8.8 ZP	2
10	GA5000117	WASHER 10mm FLAT SS HD	10

48m - Breakaway Chain Assembly

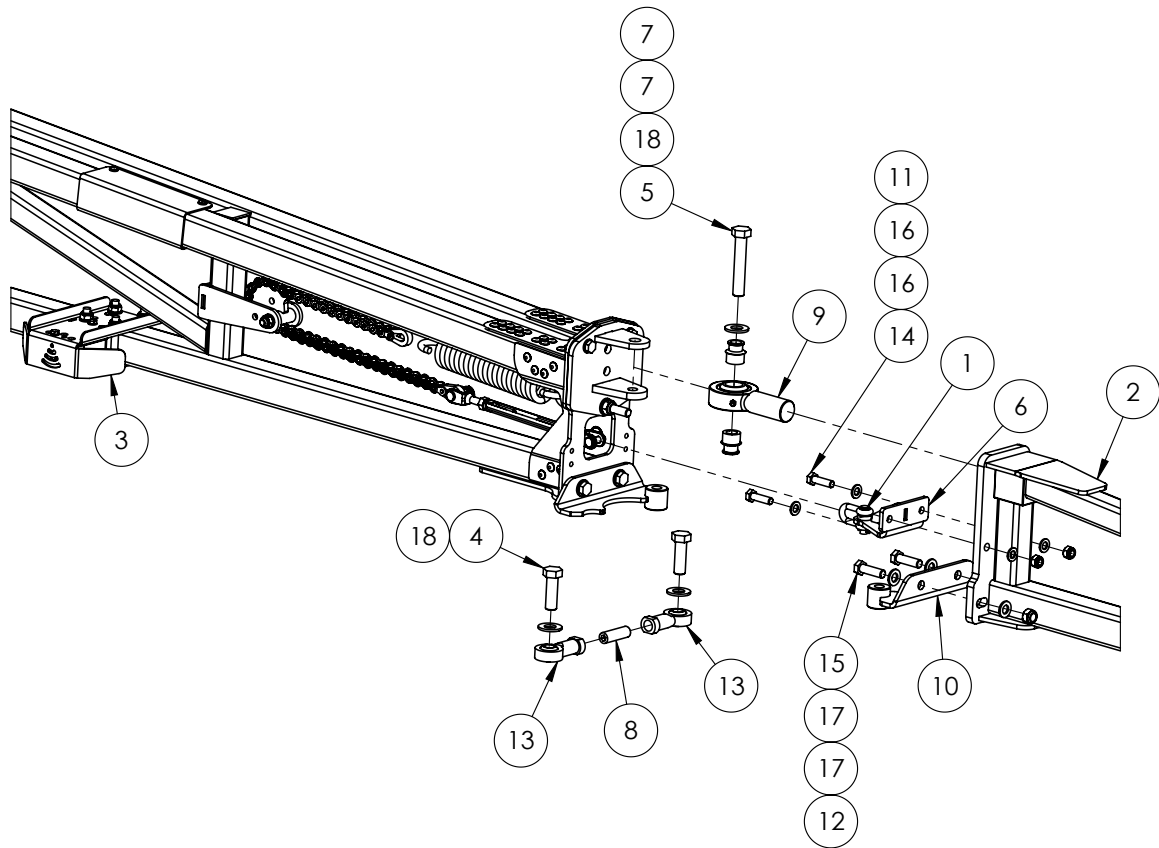


ITEM NO.	PART NUMBER	DESCRIPTION	QTY.
1	GA0500067	BHCS M6 X 65 GR12.9 ZP	2
2	GA5011163	BOLT M10 X 70 GR8.8 ZP	3
3	GA5000347	BOLT M12 X 70 GR8.8 ZP	1
4	GA4603625	BOOM WING, OUTER, 48M, LH, ALUMINIUM, ANGLE FOLD	1
5	GA4659800	BREAKAWAY CENTRE PIVOT FAB ASSEMBLY	1
6	GA4656131	BREAKAWAY MK3.1 ROSE END CLEVIS	1
7	GA4659805	BREAKAWAY MOUNT	1
8	GA5068985	CHAIN, 5/8", 41 PITCH BREAKAWAY HINGE	1
9	GA5075150	EYE BOLT 12mm X 100mm SHORT	1
10	GA4505695	LINK PLATE CHAIN END	2
11	GA4659336	LOWER PIVOT BRACKET MK3.3	1
12	GA5000141	NUT M10 NYLOC ZP	3
13	GA5000559	NUT M12 HEX ZP	1

48m - Breakaway Chain Assembly

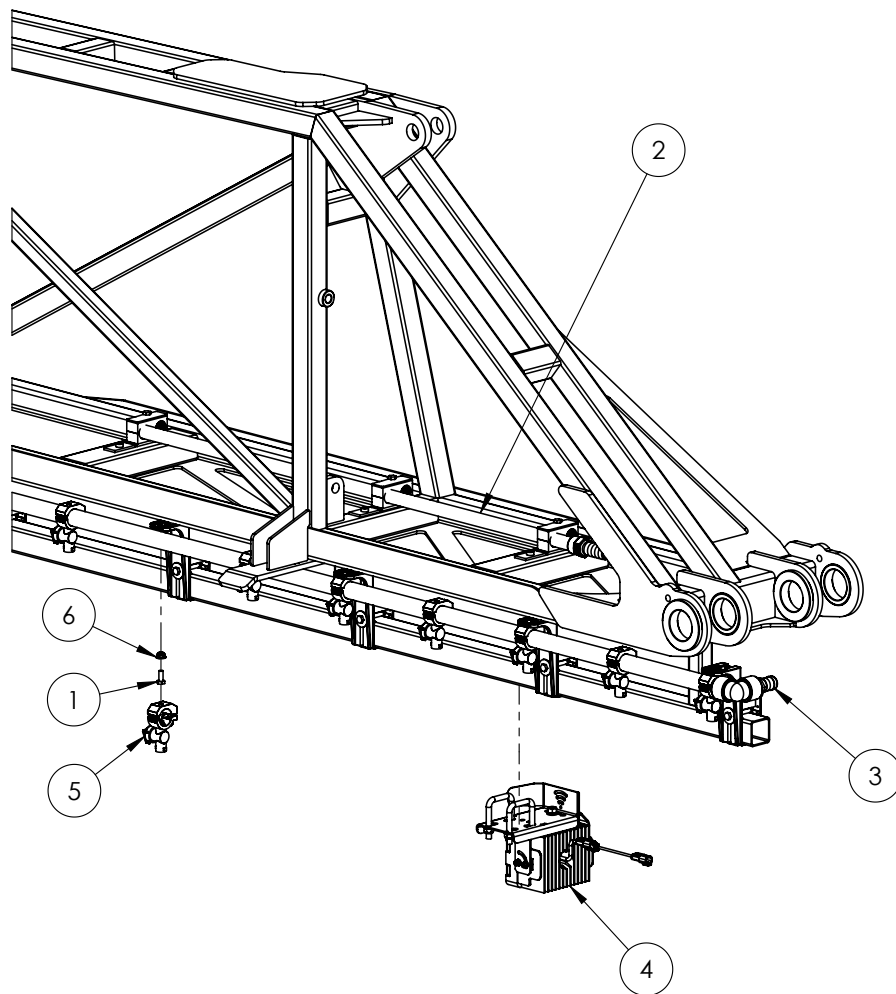
ITEM NO.	PART NUMBER	DESCRIPTION	QTY.
14	GA5012461	NUT M12 NYLOC ZP	4
15	GA5048115	NUT M6 NYLOC ZP	2
16	F70294A	PROTECTOR, BOOM CORD, SUIT 50 X 50, 200mm, SS	1
17	GA5000319	SET SCREW M12 X 40 GR8.8 ZP	2
18	GA5025170	SPRING, TENSION, 50 OD X 260 LONG X 9mm, BREAKAWAY, MY20	1
19	GA5070505	TURNBUCKLE, S/S 10.mm JAW/JAW	1
20	GA5000117	WASHER 10mm FLAT SS HD	6
21	GA5000577	WASHER 12mm FLAT SS HD	8
22	GA5004437	WASHER M6 FLAT SS HD	4

48m - Breakaway - Pivot Assembly



ITEM NO.	PART NUMBER	DESCRIPTION	QTY.
1	GA5071060	10mm UTILITY CLEVIS 24CST002	1
2	GA4656123	ALUM BREAKAWAY 2M, SUIT 3D BREAKAWAY 2.0	1
3	GA4952700	ASSEMBLY DRAWING ONLY, BRACKET, SENSOR, RAVEN XRT, SUITS TRITECH MY23	1
4	GA5000931	BOLT M16 X 50 GR8.8 ZP	2
5	GA5011297	BOLT M16 X 90 GR8.8 ZP	1
6	GA4659810	BREAKAWAY ROSE END CLEVIS 3D 2.0	1
7	GA4552225	BREAKAWAY ROSE END SPACER BUSH 3D 2.0	2
8	GA5071105	GRUB SCREW M16 X 50	1
9	GA5070530	LARGE ROSE END 1" X 1 1/4" UNF BB074-VM16	1
10	GA4659336	LOWER PIVOT BRACKET MK3.3	1
11	GA5000141	NUT M10 NYLOC ZP	2
12	GA5012461	NUT M12 NYLOC ZP	2
13	GA5014469	ROD END FEMALE 16mm	2
14	GA5006111	SET SCREW M10 X 35 GR8.8 ZP	2
15	GA5000319	SET SCREW M12 X 40 GR8.8 ZP	2
16	GA5000117	WASHER 10mm FLAT SS HD	4
17	GA5000577	WASHER 12mm FLAT SS HD	4
18	GA5001043	WASHER 16mm FLAT SS HD	3

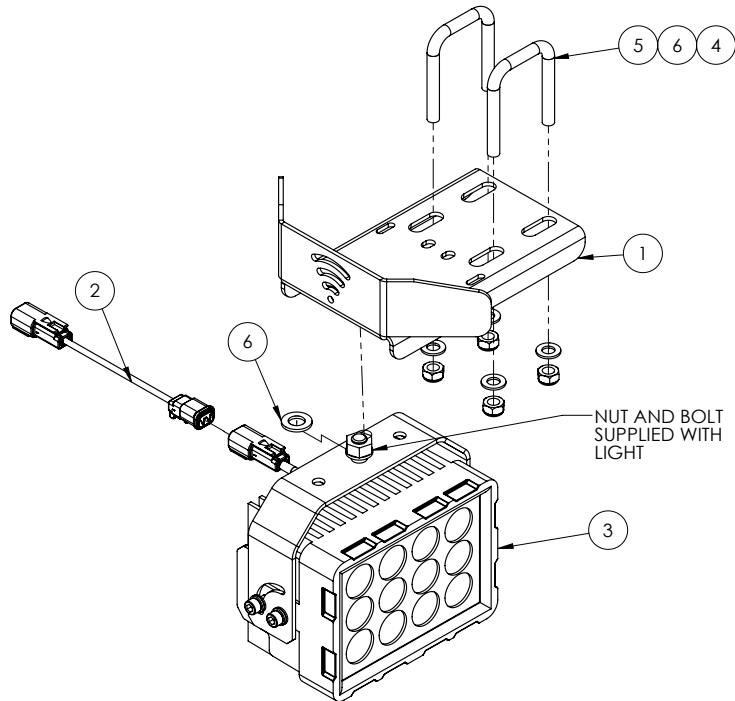
48m - Nozzle Body & Blue LED Work Light Mounting



See Plumbing Chapter for Boom Polys

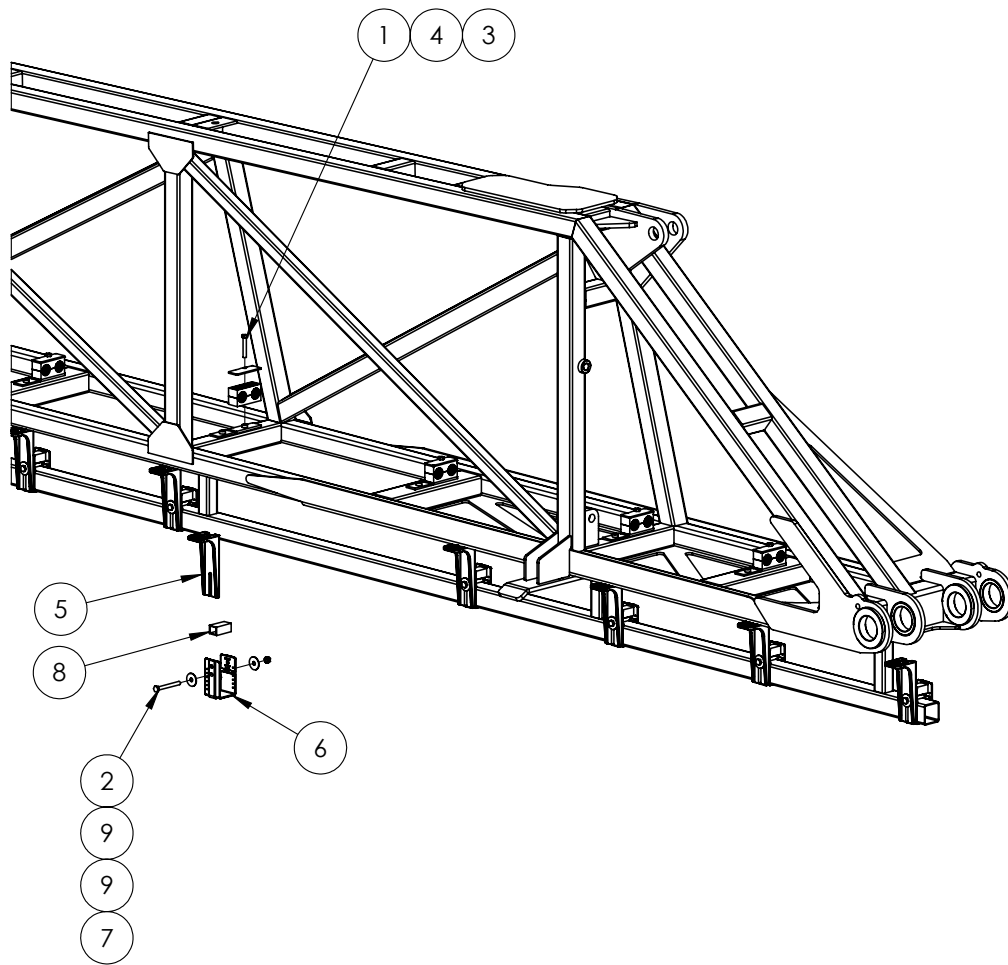
ITEM NO.	PART NUMBER	DESCRIPTION	QTY.
1	GA5004085	BOLT M8 X 20 GR8.8 ZP	35
2	GA4951805	BOOM POLY ASSEMBLY, 48M, INNER SECTION, BOOM RECIRCULATION	1
3	GA4951720	BOOM POLY ASSEMBLY. BARE, 48M, LH INNER	1
4	GA4912810	BOOM LIGHT ASSEMBLY, BLUE, SUIT 50mm BOOM MOUNT	1
5	GA5077962	NOZZLE BODY, SINGLE, 1", TEEJET, QJ17560A-I-NYB	35
6	GA5070710	NUT WITH FLANGE, PLASTIC, M8 X 1.25	35

Work Light - Blue LED



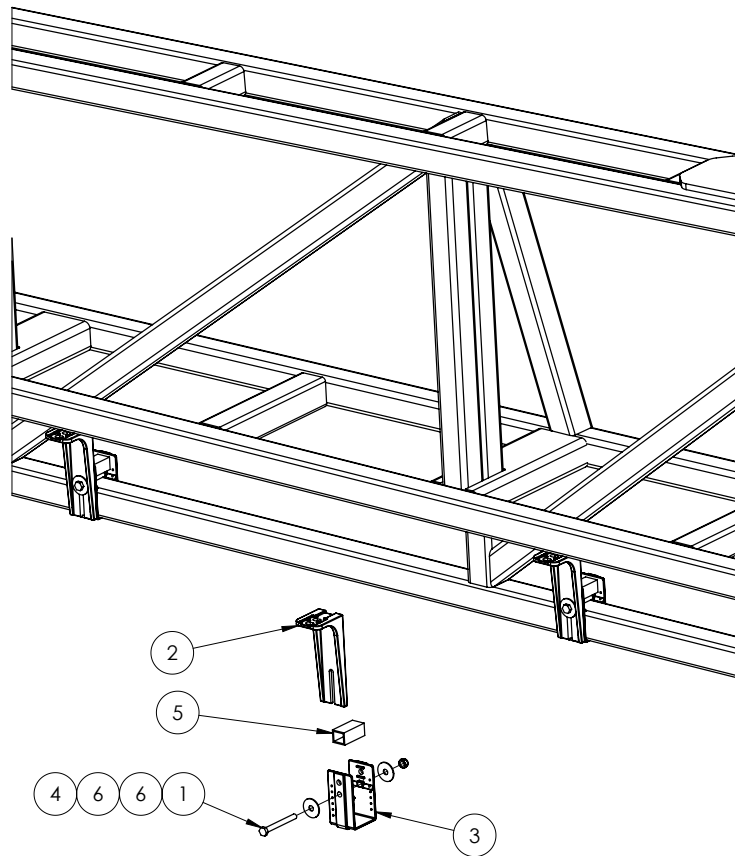
6ITEM NO.	PART NUMBER	DESCRIPTION	QTY.
1	GA4411280	BRACKET, RAVEN XRT RADAR SENSOR / LIGHT MOUNT, BOOM, WITH FRONT SHIELD	1
2	GA3000574	ELECTRICAL HARNESS, RCM NOZZLE EXTENSION, 1000mm	1
3	GA3000333	LIGHT, LED, BLUE, SPOT BEAM, 60 WATT, GLASS FRONT	1
4	GA5000141	NUT M10 NYLOC ZP	4
	GA5052590	NUT M8 NYLOC SS	4
5	GA5053645	U BOLT SQUARE TOP M10 X 52 X 75	2
	GA0500084	U BOLT SQUARE TOP M8 X 42 X 65, 304 SS	2
6	GA5000117	WASHER 10mm FLAT SS HD	5
	GA5003643	WASHER 8mm FLAT SS HD	4

48m - Nozzle Bracket & Boom Poly Clamps



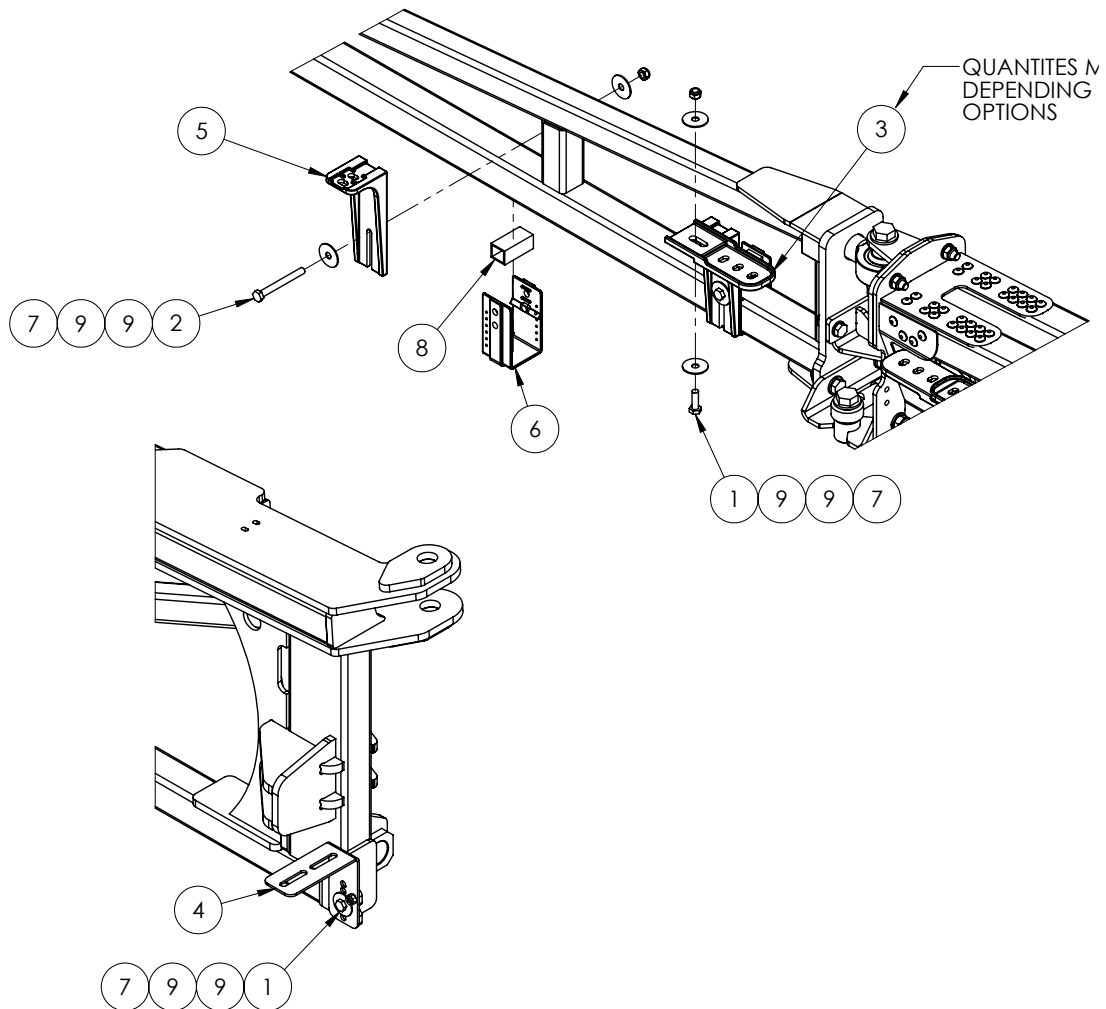
ITEM NO.	PART NUMBER	DESCRIPTION	QTY.
1	GA5004727	BOLT M8 X 50 GR8.8 ZP	12
2	GA5052600	BOLT M8 X 75 SS A2-70	35
3	GA5078038	MOUNTING CLAMP, DOUBLE TYPE, JAW, PAIR, GROUP 4, 28mm, RCD-28j	12
4	GA5078049	MOUNTING CLAMP, DOUBLE TYPE, PLATE, TOP, GROUP 4, RCD-4PT	12
5	GA5018258	NOZZLE BRACKET, PLASTIC, L SHAPE, LONG	35
6	GA5018259	NOZZLE BRACKET, PLASTIC, U SHAPE	35
7	GA5052590	NUT M8 NYLOC SS	35
8	GA5066965	SPACER SUIT NOZZLE BRACKETS	35
9	GA5003645	WASHER FLAT SS 5-16 X 1 I-4	70

48m - Nozzle Bracket Extension Assembly



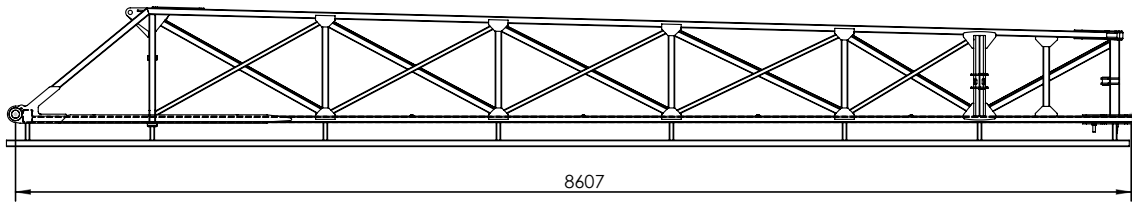
ITEM NO.	PART NUMBER	DESCRIPTION	QTY.
1	GA5052600	BOLT M8 X 75 SS A2-70	16
2	GA5018258	NOZZLE BRACKET, PLASTIC, L SHAPE, LONG	16
3	GA5018259	NOZZLE BRACKET, PLASTIC, U SHAPE	16
4	GA5052590	NUT M8 NYLOC SS	16
5	GA5066965	SPACER SUIT NOZZLE BRACKETS	16
6	GA5003645	WASHER FLAT SS 5-16 X 11-4	32

48m - Breakaway - Nozzle Body Brackets



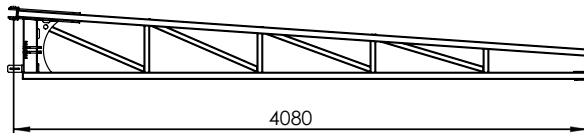
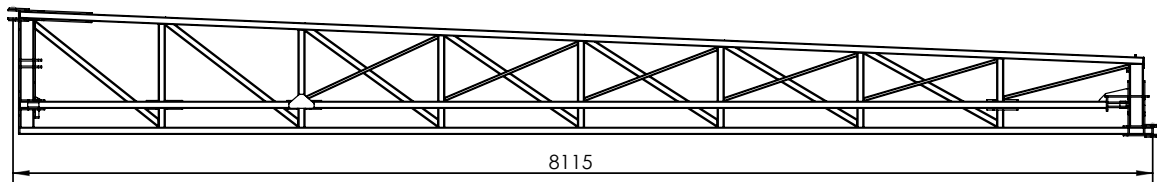
ITEM NO.	PART NUMBER	DESCRIPTION	QTY.
1	GA5004713	BOLT M8 X 25 SS A2-70	5
2	GA5052600	BOLT M8 X 75 SS A2-70	23
3	GA5018255	BRACKET, NOZZLE EXTENSION, PLASTIC	4
4	GA4505515	NOZZLE BRACKET L LONG SS	1
5	GA5018258	NOZZLE BRACKET, PLASTIC, L SHAPE, LONG	23
6	GA5018259	NOZZLE BRACKET, PLASTIC, U SHAPE	23
7	GA5052590	NUT M8 NYLOC SS	28
8	GA5066965	SPACER SUIT NOZZLE BRACKETS	20
9	GA5003645	WASHER FLAT SS 5-16 X 1 1-4	55

48m - Boom Wings Inner - Steel



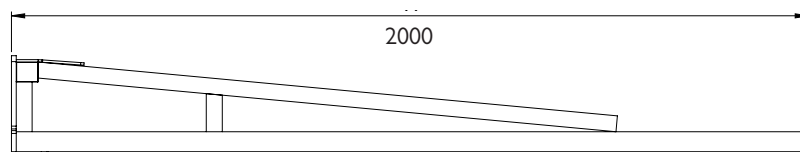
PART NUMBER	DESCRIPTION
GA4600635	BOOM INNER 48M LH - 8607 MM
GA4600640	BOOM INNER 48M RH - 8607 MM

48m - Boom Wings, Mid & Outer - Aluminium



PART NUMBER	DESCRIPTION
GA4600650	BOOM MID, 48M ALUMINIUM RH - 8115MM, (UP TO S/N 203322)
GA4603620	BOOM MID, 48M ALUMINIUM RH - 8115MM, (FROM S/N 203323 ON)
GA4600645	BOOM MID, 48M ALUMINIUM LH - 8115 MM, (UP TO S/N 203322)
GA4603615	BOOM MID, 48M ALUMINIUM LH - 8115MM, (FROM S/N 203323 ON)
GA4600660	BOOM OUTER, 48M ALUMINIUM RH - 4080MM, (UP TO S/N 203322)
GA4603630	BOOM OUTER, 48M ALUMINIUM RH - 4080MM, (FROM S/N 203323 ON)
GA4600655	BOOM OUTER, 48M ALUMINIUM LH - 4080MM, (UP TO S/N 203322)
GA4603625	BOOM OUTER, 48M ALUMINIUM LH - 4080MM, (FROM S/N 203323 ON)

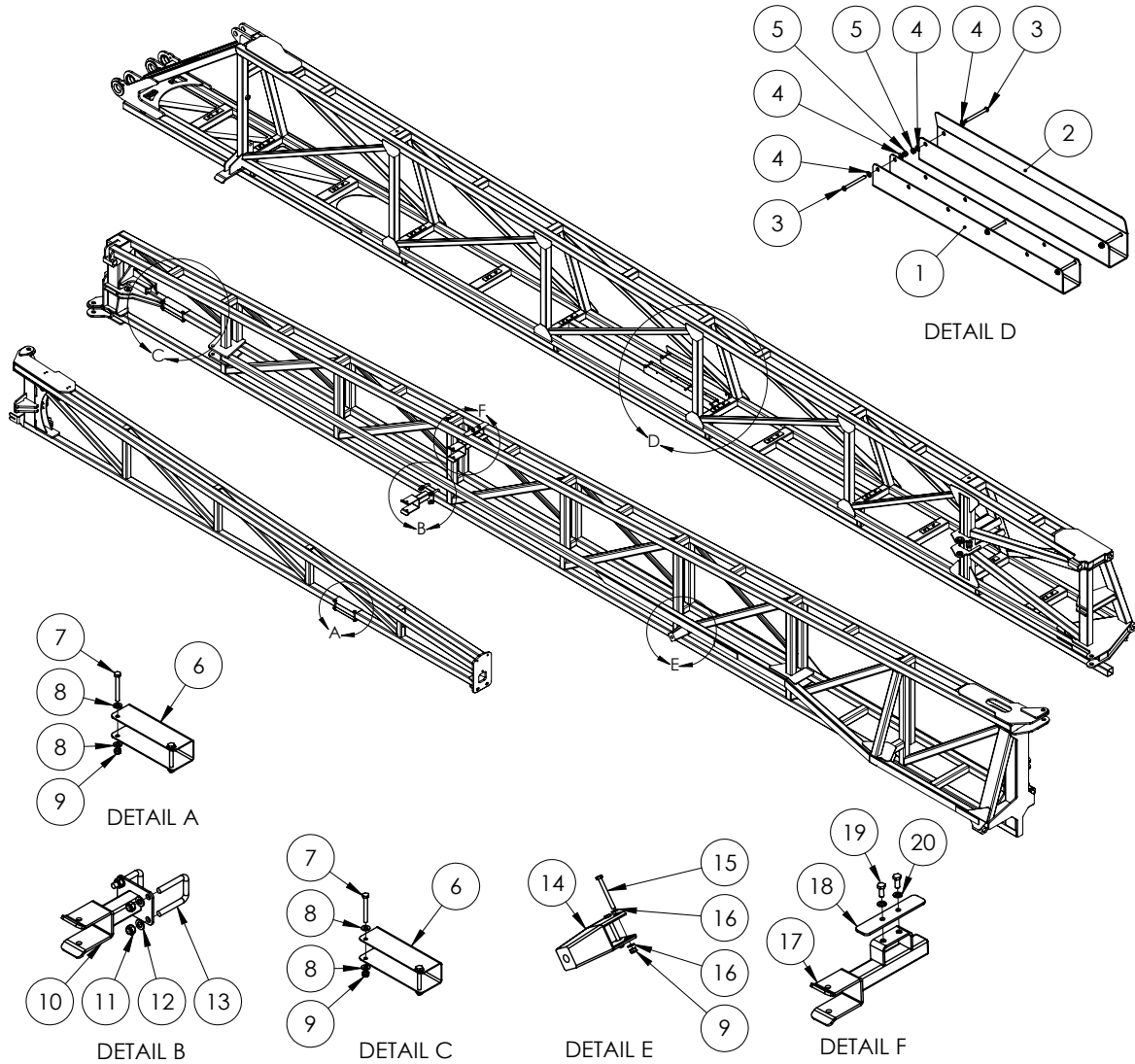
48m - Breakaway Aluminium Tip



PART NUMBER	DESCRIPTION
GA4656123	ALUM BREAKAWAY 2M, SUIT 3D BREAKAWAY 2.0

48m - Boom Bumper & Protectors

RIGHT SIDE SHOWN

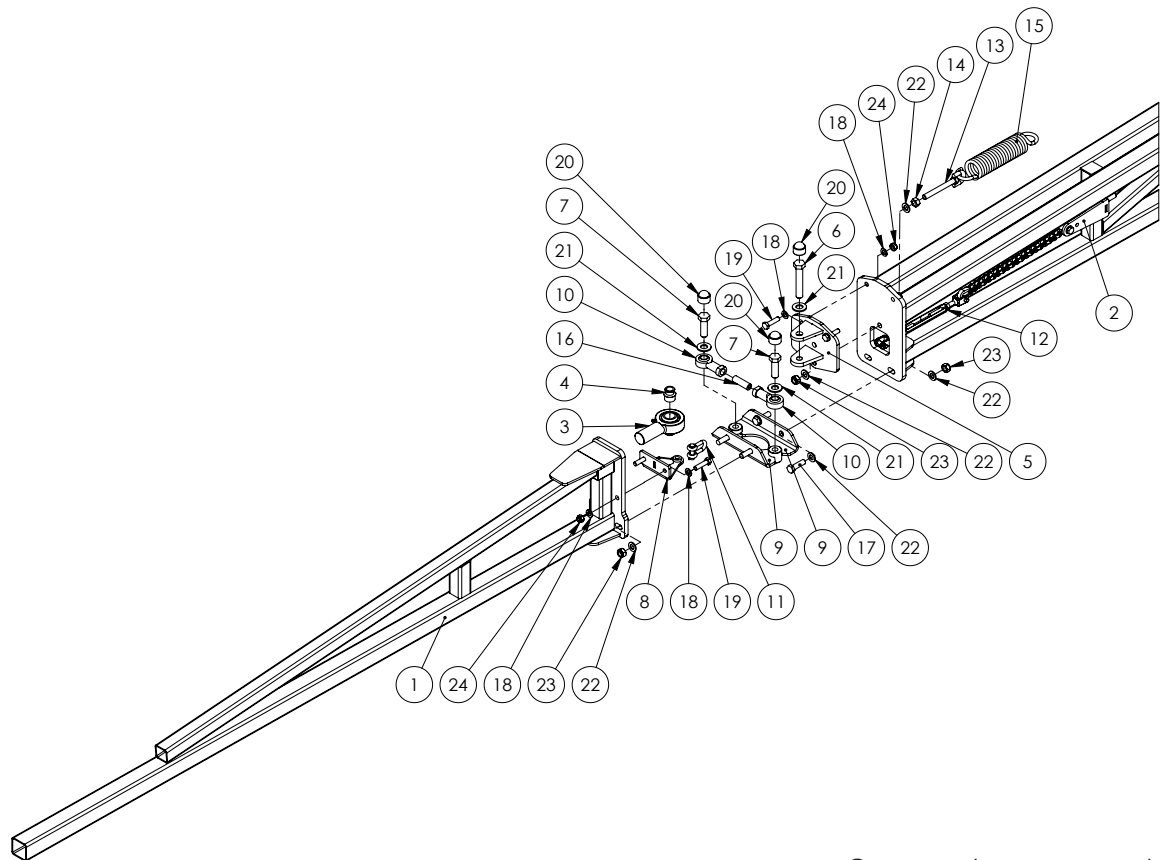


Quantities shown are per side

ITEM NO.	PART NUMBER	DESCRIPTION	QTY.
1	F70799A	PROTECTOR, OUTER WING, SUIT 50 X 50 RHS, 600 MM LONG, 2MM SS	1
2	GA4505972	BOOM PROTECTOR SS FITS OVER GUSSET	1
3	GA0500067	BHCS M6 X 65 GR12.9 ZP	5
4	GA5004437	WASHER 6MM FLAT SS	10
5	GA5048115	NUT M6 NYLOC ZP	5
6	F70294A	BOOM WING PROTECTOR SUIT 50 X 50 200MM LONG (2MM SS)	2
7	GA0500067	BHCS M6 x 65 GR12.9 ZP	4
8	GA5003643	WASHER 8MM FLAT SS HD	8
9	GA5052590	NUT M8 NYLOC SS	6

ITEM NO.	PART NUMBER	DESCRIPTION	QTY.
10	GA4601280	BOOM FOLD SUPPORT BRACKET, 48M	1
11	GA5012461	NUT M12 NYLOC ZP	4
12	GA5000577	WASHER 12MM FLAT SS HD	4
13	GA5011251	U BOLT SQUARE TOP M12 X 52MM X 80MM	2
14	GA5006226	BOOM STOPPER, RUBBER, 210MM BUMPER, SUITS 50 X 50MM RHS	1
15	GA5052600	BOLT M8 X 75 SS A2-70	2
16	GA5003643	WASHER 8MM FLAT SS HD	4
17	GA4603651	BOOM SUPPORT BRACKET, 48M, OUTER WING, MY21	1
18	GA4409765	PLATE, CLAMP, BOOM SUPPORT BRACKET, 48M, OUTER WING, MY21	1
19	GA5006161	BOLT M10 X 25 GR8.8 ZP	2
20	GA5000117	WASHER 10MM FLAT SS HD	2

36-42m - 3D Breakaway Tip



Quantities shown are per side

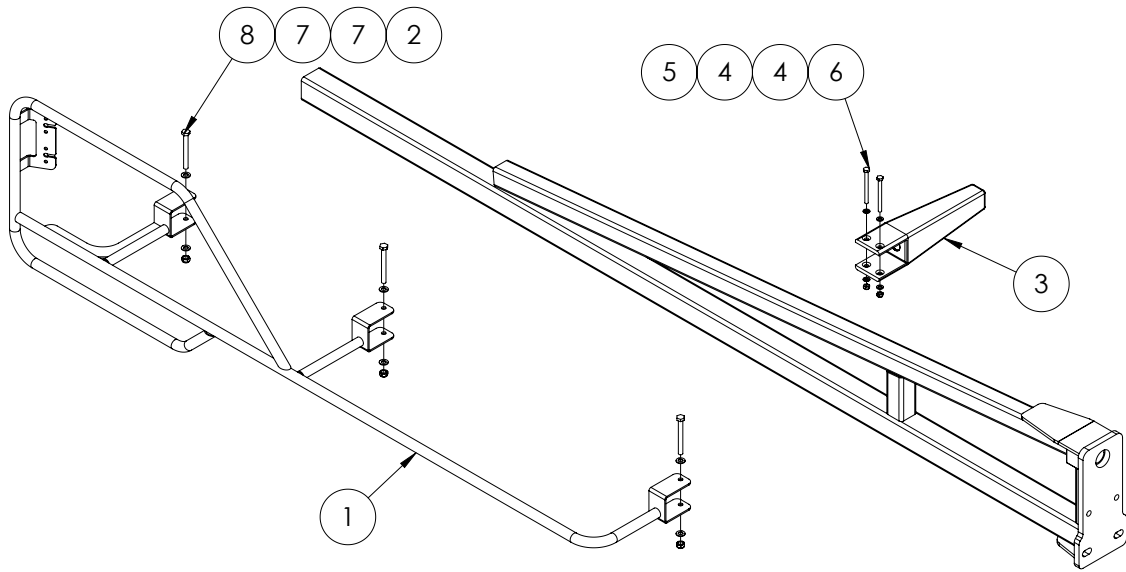
ITEM NO.	PART NUMBER	DESCRIPTION	QTY.
1	GA4656123	ALUM BREAKAWAY 2M, SUIT 3D BREAKAWAY 2.0	1
2	*	BREAKAWAY MECHANISM	1
3	GA5070530	ROSE END 1" X 1 1/4" MALE UNF THREAD	1
4	GA4552225	SPACER BUSH, ROSE END, SUIT BREAKAWAY 3D 2.0	2
5	GA4656131	ROSE END CLEVIS, BREAKAWAY	1

Continued over page

36-42m - 3D Breakaway Tip

ITEM NO.	PART NUMBER	DESCRIPTION	QTY.
6	GA5011297	BOLT M16 X 90 GR8.8 ZP	1
7	GA5000931	BOLT M16 X 50 GR8.8 ZP	2
8	GA4659810	BREAKAWAY HINGE BRACKET	1
9	GA4659336	LOWER PIVOT BRACKET	2
10	GA5014469	ROD END, BALL 16 MM ID, M16 FEMALE THREAD	2
11	GA5071060	UTILITY CLEVIS 10 MM	1
12	GA5070505	TURNBUCKLE / RIGGING SCREW, 10MM, SS, CLEVIS ENDS	1
13	GA5075150	EYE BOLT 12MM X 100MM SHORT	1
14	GA5000559	NUT M12 HEX ZP	1
15	GA5016605	SPRING, TENSION, 51.5 OD X 260 LONG X 8MM, BREAKAWAY	1
16	GA5071105	GRUB SCREW M16 X 50	1
17	GA5000319	SET SCREW M12 X 40 GR8.8 ZP	4
18	GA5000117	WASHER 10MM FLAT SS HD	8
19	GA5011161	SET SCREW M10 X 40 GR8.8 ZP	4
20	GA5075080	END CAP, PLASTIC, BLACK, COVER, HEX. DOME, M16	3
21	GA5001043	WASHER 16MM FLAT SS HD	3
22	GA5000577	WASHER 12MM FLAT SS HD	10
23	GA5012461	NUT M12 NYLOC ZP	5
24	GA5000141	Nut M10 Nyloc ZP	4

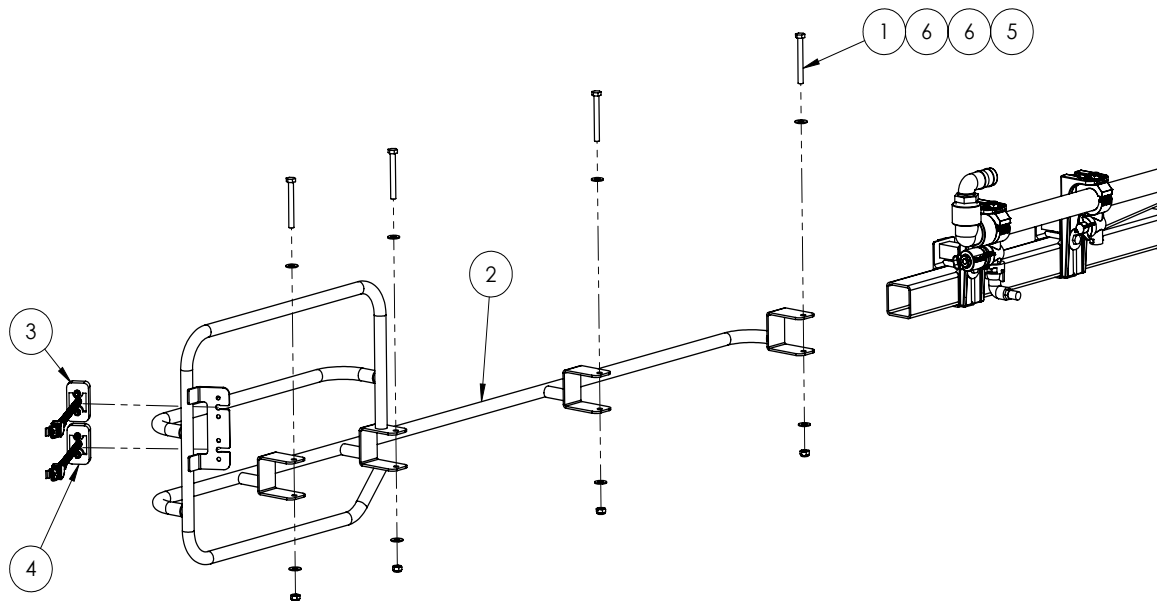
36-42m - 3D Breakaway Tip - End Protector



Quantities shown are per side

ITEM NO.	PART NUMBER	DESCRIPTION	QTY.
1	GA4656316	BOOM END PROTECTOR EASY FIT, RIGHT HAND	1
	GA4656317	BOOM END PROTECTOR EASY FIT, LEFT HAND	
2	GA5004917	NUT M8 NYLOC ZP	3
3	GA5006226	BOOM STOPPER, RUBBER, 210MM BUMPER, SUITS 50 X 50MM RHS	1
4	GA5004437	WASHER 6MM FLAT SS	4
5	GA5048115	NUT M6 NYLOC ZP	2
6	GA5004107	BOLT M6 X 70 ZP GR8.8	2
7	GA5003643	WASHER 8MM FLAT SS HD	6
8	GA5052600	BOLT M8 X 75 SS A2-70	3

48m - 3D Breakaway Tip - End Protector



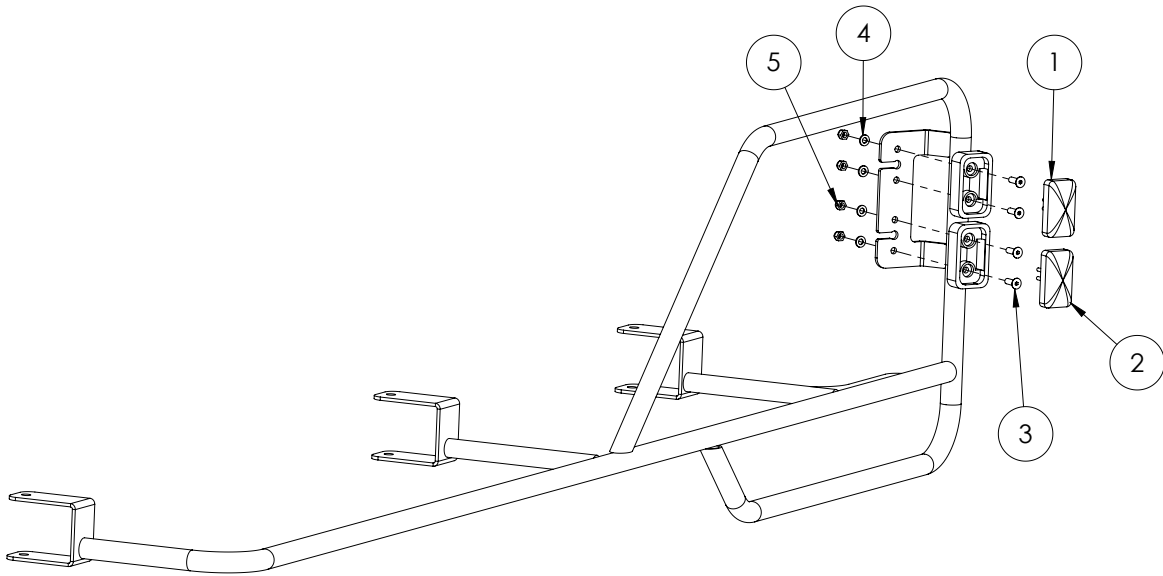
Quantities shown are per side

ITEM NO.	PART NUMBER	DESCRIPTION	QTY.
1	GA5004737	BOLT M8 X 70 SS A2-70	4
2	GA4601260	BOOM END PROTECTOR, LH, SLIM	1
3	GA5060057	CLEARANCE LIGHT WITH CONNECTOR, ORANGE LED, SUIT FENCE LINE JET	1
4	GA5060056	CLEARANCE LIGHT WITH CONNECTOR, RED LED, SUIT FENCE LINE JET	1
5	GA5052590	NUT M8 NYLOC SS`	4
6	GA5003643	WASHER 8mm FLAT SS HD	8

Chapter 15

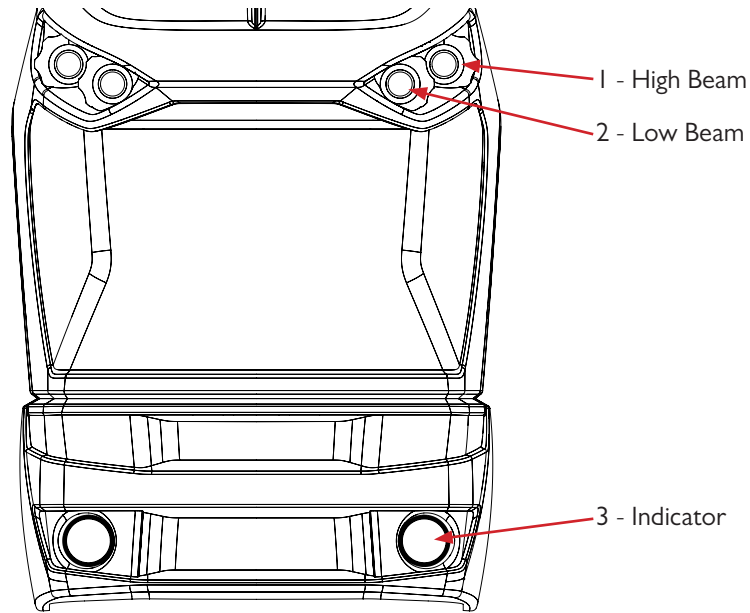
ELECTRICS

Lighting - Boom Tip LEDs



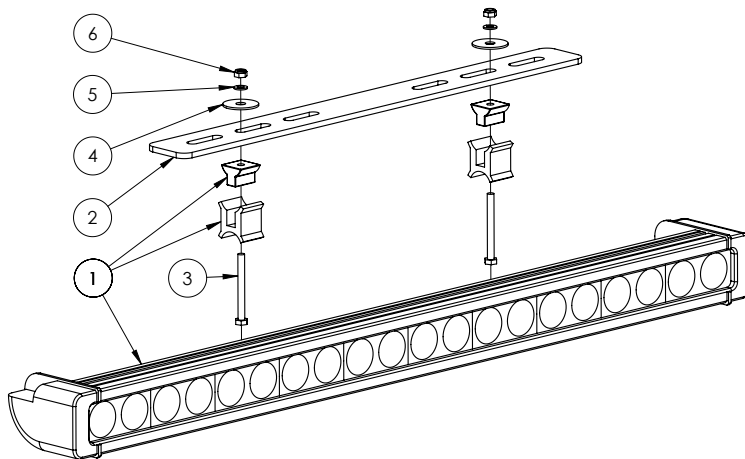
ITEM NO.	PART NUMBER	DESCRIPTION	QTY.
1	GA5060057	CLEARANCE LIGHT WITH CONNECTOR, ORANGE LED	1
2	GA5060056	CLEARANCE LIGHT WITH CONNECTOR, RED LED	1
3	GA5051230	CSCS M5 X 16 SS	4
4	GA5003983	WASHER 5MM FLAT SS	4
5	GA5003975	NUT M5 NYLOC SS	4

Lighting - Headlight & Indicator



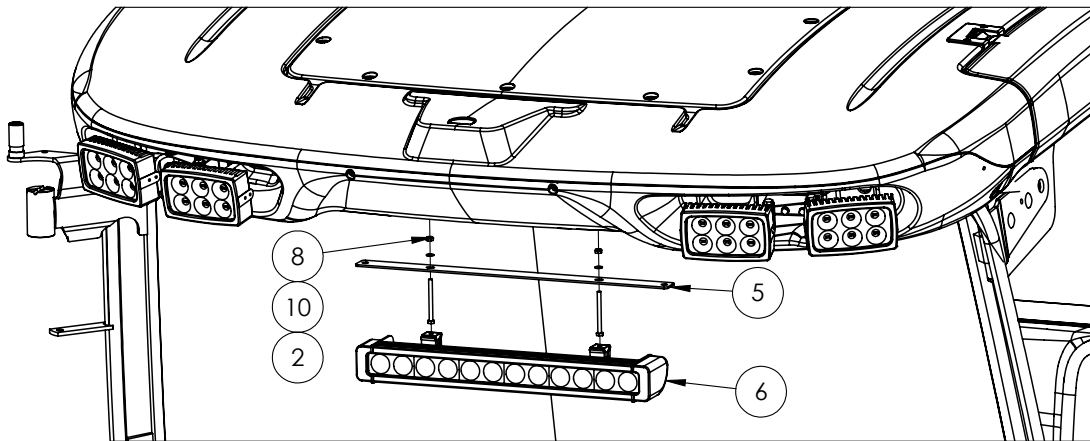
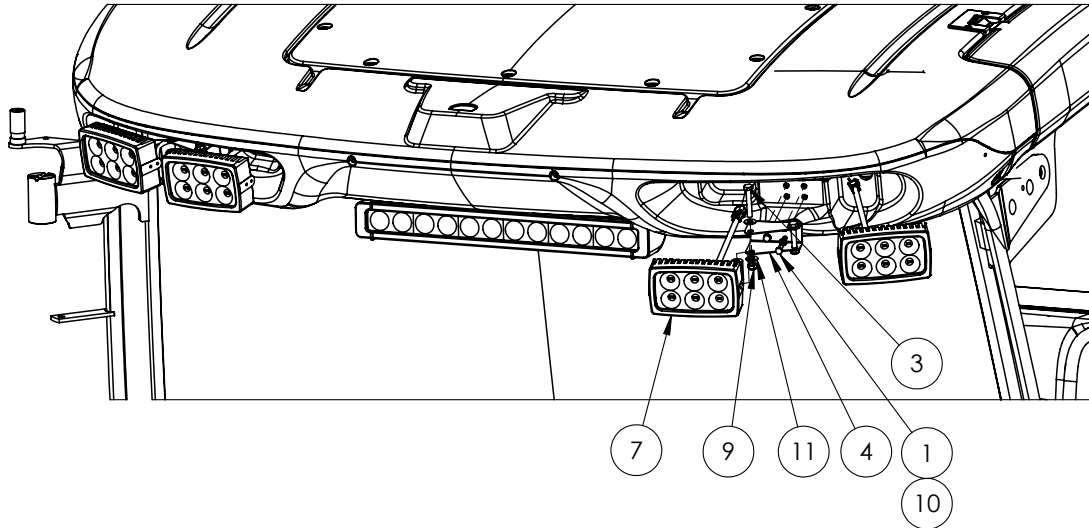
ITEM NO.	PART NUMBER	DESCRIPTION	QTY.
-	GA3000082	HB3 12V 60W GLOBE - HIGH AND LOW BEAM	-
1	GA5075410	HEADLIGHT ASSEMBLY, HIGH BEAM, 12V, 60W, PROJECTOR	-
2	GA5075405	HEADLIGHT ASSEMBLY, LOW BEAM, 12V, 60W, PROJECTOR	-
3	GA5075415	INDICATOR / RUNNING LIGHT ASSEMBLY, LED	-

Lighting - Bonnet LED Light Bar - Optional



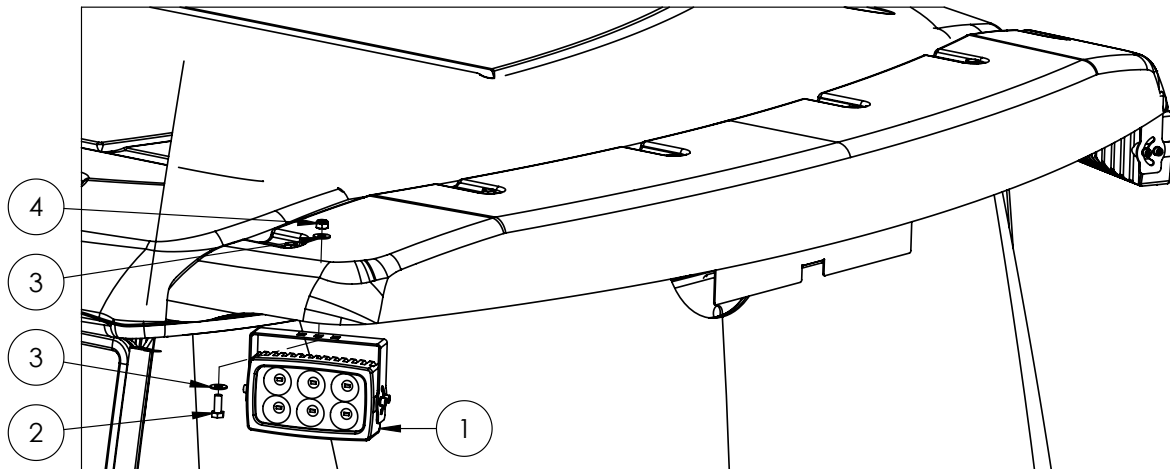
ITEM NO.	PART NUMBER	DESCRIPTION	QTY.
1	GA5075510	LIGHT, LED, BAR, SPOT & FLOOD BEAM, 180W - INCLUDES CONNECTOR	1
2	GA4506725	PLATE, LIGHT BAR MOUNT, LOWER BONNET	1
3	GA5004097	BOLT M6 X 60 GR8.8 ZP	2
4	GA5017645	WASHER 1/4" ID X 1 1/4" OD X 16G SS	2
5	GA5004437	WASHER 6MM FLAT SS	2
6	GA5048115	NUT M6 NYLOC ZP	2

Lighting - Cab Front



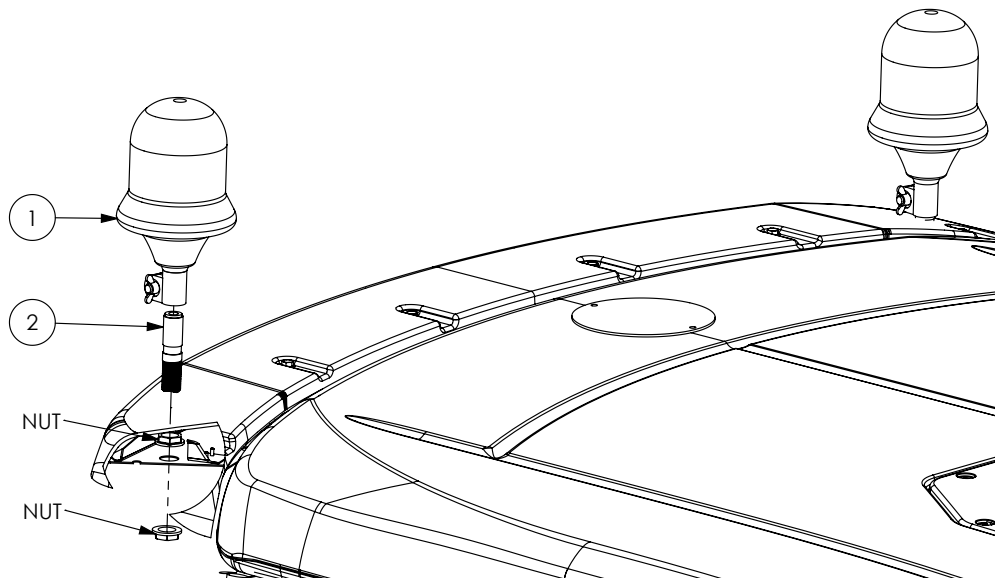
ITEM NO.	PART NUMBER	DESCRIPTION	QTY.
1	GA5004041	BOLT M6 X 16 GR8.8 ZP	4
2	GA5004107	BOLT M6 X 70 GR8.8 ZP	2
3	GA5004727	BOLT M8 X 50 GR8.8 ZP	2
4	GA4404375	BRACKET, LIGHT MOUNT, CLAAS CABIN	1
5	GA4000188	LED LIGHT BAR MOUNT PLATE SUIT CLAAS ROOF X10	1
6	GA5075505	LIGHT, LED, BAR, 21.5 INCH 20 LED SLIM, LEDST3K- 20L, STEDI	1
7	GA3000250	LIGHT, LED, WORK, CABIN, 30 WATT	2
8	GA5048115	NUT M6 NYLOC ZP	2
9	GA5004917	NUT M8 NYLOC ZP	2
10	GA5004437	WASHER 6mm FLAT SS	10
11	GA5003643	WASHER 8mm FLAT SS HD	4

Lighting - Cab Lights Rear



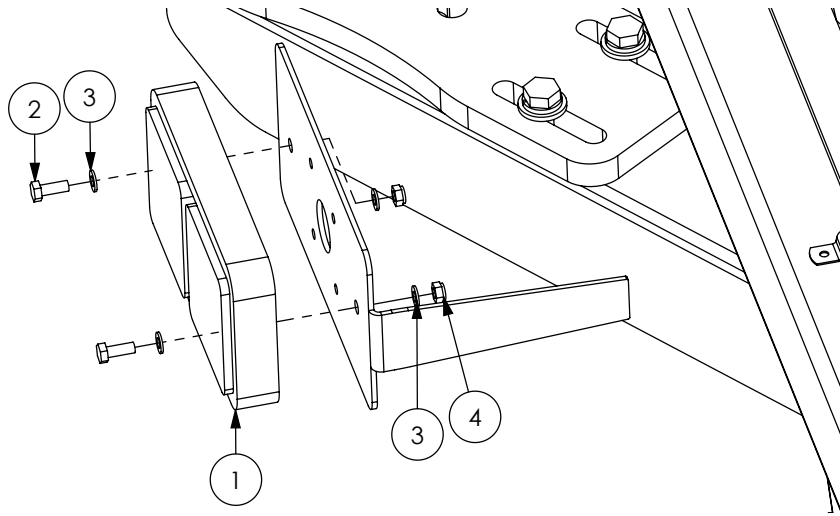
ITEM NO.	PART NUMBER	DESCRIPTION	QTY.
-	GA5052825	WEDGE LOCK, 2 WAY, SOCKETS, DT SERIES	1
-	GA5052830	RECEPTACLE, 2 WAY, PINS, DT SERIES	1
-	GA5061240	PIN, MALE, SOLID, NICKEL, NUMBER 16, GREEN BAND, AWG 14, DEUTSCH	2
1	GA3000250	LIGHT, LED, WORK, CABIN, 30 WATT, WITH CONNECTOR, BRACKETS & MOUNTING HARDWARE	1
2	GA5004085	BOLT M8 X 20 GR8.8 ZP	1
3	GA5003643	WASHER 8MM FLAT SS HD	2
4	GA5004917	NUT M8 NYLOC ZP	1

Lighting - Beacon Lights



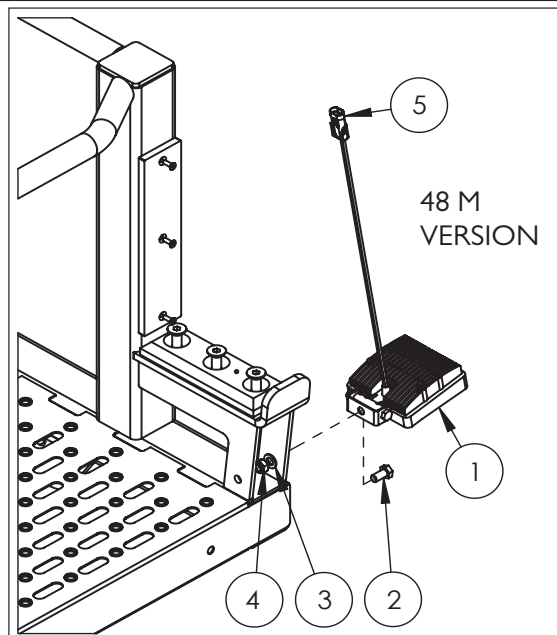
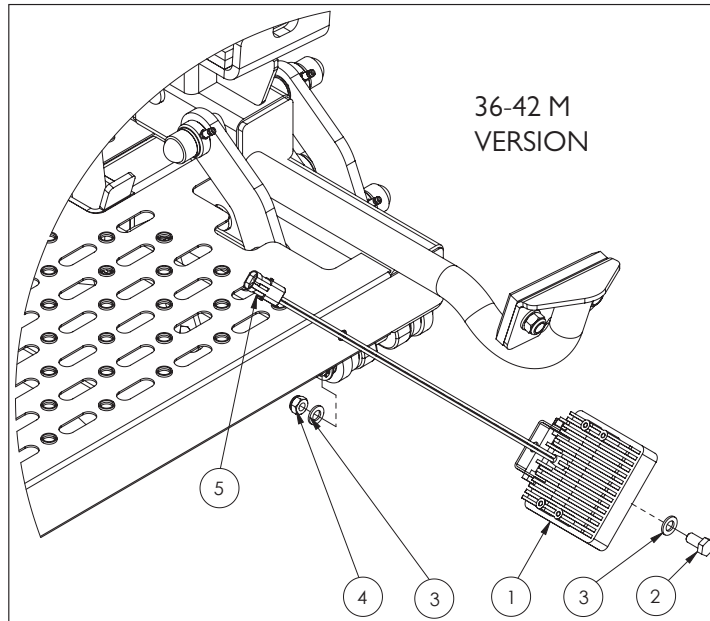
ITEM NO.	PART NUMBER	DESCRIPTION	QTY.
1	GA5048975	BEACON, ROTATING, AMBER, DIN A POLE MOUNT, HI GLOBE INCLUDED	2
	GA5012093	GLOBE, BEACON, HI 12V 55W, NARVA	-
2	GA5020411	BEACON INSERT SCREW IN	2

Lighting - Tail Lights



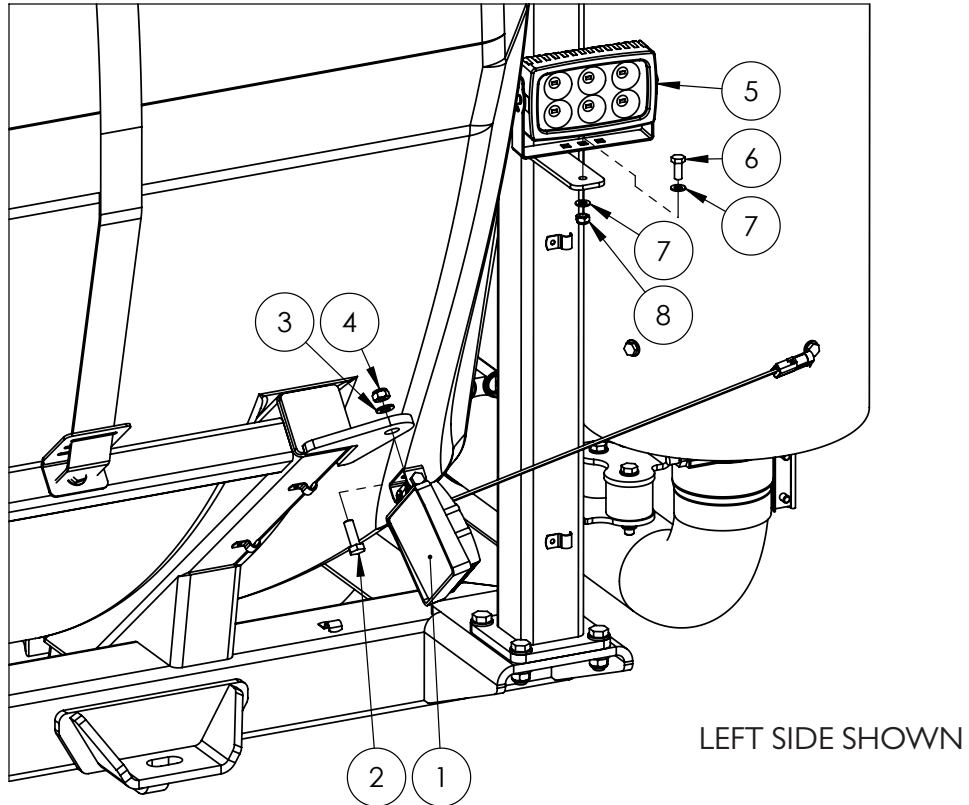
ITEM NO.	PART NUMBER	DESCRIPTION	QTY.
1	GA3000249	LED TAIL LIGHT, LARGE WITH CONNECTOR	2
2	GA5011395	BOLT M6 X 16 SS A2-70	4
3	GA5004437	WASHER 6MM FLAT SS	8
4	GA5048115	NUT M6 NYLOC ZP	4

Lighting - Side deck



ITEM NO.	PART NUMBER	DESCRIPTION	QTY.
1	GA5075500	LIGHT, LED, WORK, FLOOD BEAM, 15W	1
2	GA5006113	BOLT M10 X 20 GR8.8 ZP	1
3	GA5003643	WASHER 8MM FLAT SS HD	2
4	GA5004917	NUT M8 NYLOC ZP	1
5	GA5007381	CONNECTOR, 2 PIN, FEMALE, WEATHER PACK	1
	GA5016617	PIN, MALE, SEALED, WEATHER PACK, WIRE 1.0 - 2.0MM	2
	GA5014857	SEAL, GREEN, WEATHER PACK CONNECTOR, WIRE FROM 2.03 - 2.85MM	2
	GA5003039	ELECTRICAL WIRE, 3MM, TWIN CORE, DOUBLE INSULATED, BLACK OUTER , RED & BLACK INNER	-
	GA5012161	SPLIT TUBING, 7MM	-

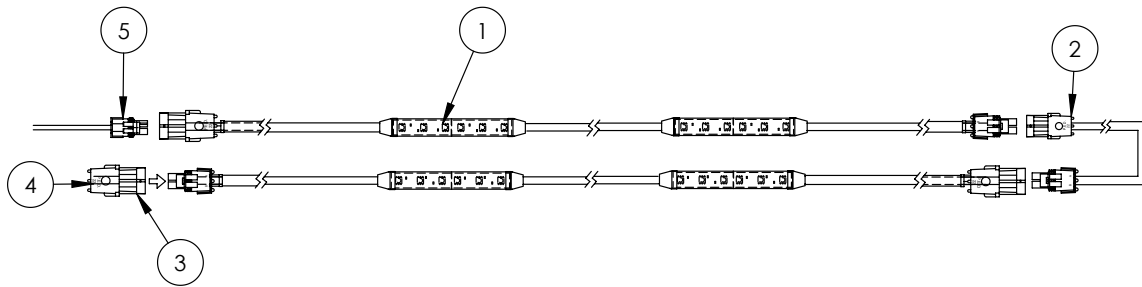
Lighting - Tank Cradle



ITEM NO.	PART NUMBER	DESCRIPTION	QTY.
-	GA5007381	CONNECTOR, 2 PIN, FEMALE, WEATHER PACK	-
-	GA5016617	PIN, MALE, SEALED, WEATHER PACK, WIRE 1.0 - 2.0MM	-
-	GA5014857	SEAL, GREEN, WEATHER PACK CONNECTOR, WIRE FROM 2.03 - 2.85MM	-
-	GA5003039	ELECTRICAL WIRE, 3MM, TWIN CORE, DOUBLE INSULATED, BLACK OUTER , RED & BLACK INNER	-
-	GA5012161	SPLIT TUBING, 7MM	-
1	GA5075500	LIGHT, LED, WORK, FLOOD BEAM, 15W	1
2	GA5065455	BOLT M10 X 30 GR8.8 ZP	1
3	GA5000117	WASHER 10MM FLAT SS HD	1
4	GA5000141	NUT M10 NYLOC ZP	1
5	GA3000250	LIGHT, LED, WORK, CABIN, 30 WATT	1
6	GA5004085	BOLT M8 X 20 GR8.8 ZP	1
7	GA5003643	WASHER 8MM FLAT SS HD	2
8	GA5004917	NUT M8 NYLOC ZP	1

NOTE: Quantity shown is per side.

Lighting - Night Pro LEDs



ITEM NO.	PART NUMBER	DESCRIPTION	QTY.
1	GA5060136	HARNESS, BOOM LIGHT 2 LED STRIP, 12V 0.24AMP	36
2	GA5060137	HARNESS, PIVOT EXTENSION 2000MM	4
	GA5060138	HARNESS, PIVOT EXTENSION 5000MM	2
3	GA5007381	CONNECTOR, 2 PIN, FEMALE, WEATHER PACK	4
4	GA5050245	SEAL, CAVITY BLANKING PLUG, WEATHER PACK CONNECTOR	8
5	GA3000016	HARNESS, QUAD SPLITTER, SUIT NIGHT PRO POWER SUPPLY	1

NOTE: The quantity shown is for a full 36 meter boom

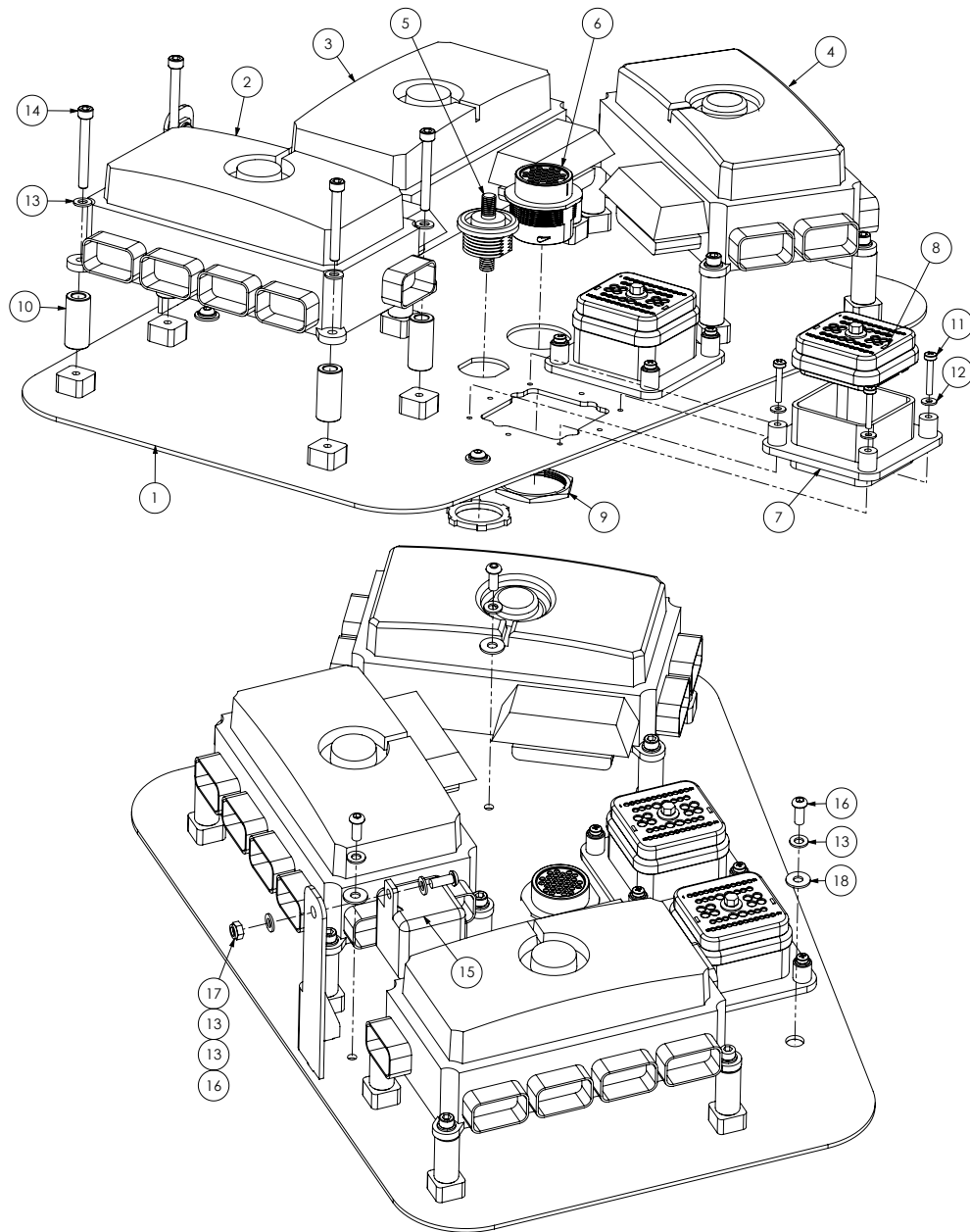
Lighting - Egress Relay



ITEM NO.	PART NUMBER	DESCRIPTION	QTY.
1	GA5068760	RELAY, DELAY TIMER	1

NOTE: The egress lighting delay timer relay is located inside the cabin fusebox. It is mounted to the vertical panel closest to the door.

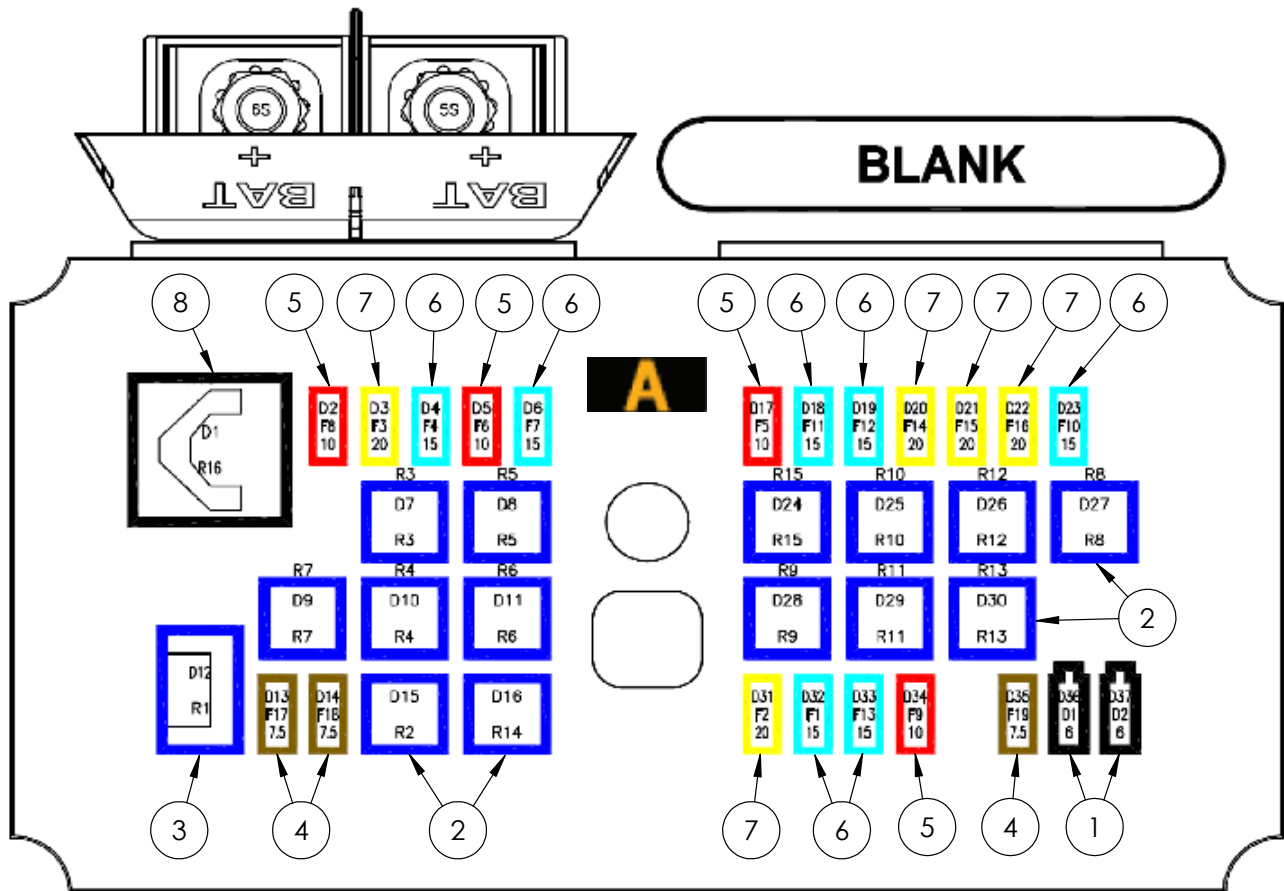
Cabin - Fuse Boxes



ITEM NO.	PART NUMBER	DESCRIPTION	QTY.
1	GA4658690	CABIN FUSE BOX, MOUNTING PLATE ASSEMBLY	1
2	GA5060025	FUSE BOX, AUXILIARY B, CABIN	1
3	GA5060326	FUSE BOX, JOYSTICK C, CABIN	1
4	GA5060033	FUSE BOX, MAIN CONTROL A, CABIN	1
5	GA5006379	STUD, INSULATED, BATTERY POWER FEED STUD	1
6	GA5061790	RECEPTACLE, 3 I PIN, HPD SERIES, DEUTSCH	1
7	GA5061195	DEUTSCH CONNECTOR DRB BULK HEAD SUIT 48 PIN	2
8	GA5060440	PLUG, 48 PIN SUITS PINS, DRB SERIES, DEUTSCH	2
9	GA5012399	Nut, For connector, 24 shell, Deutsch	1

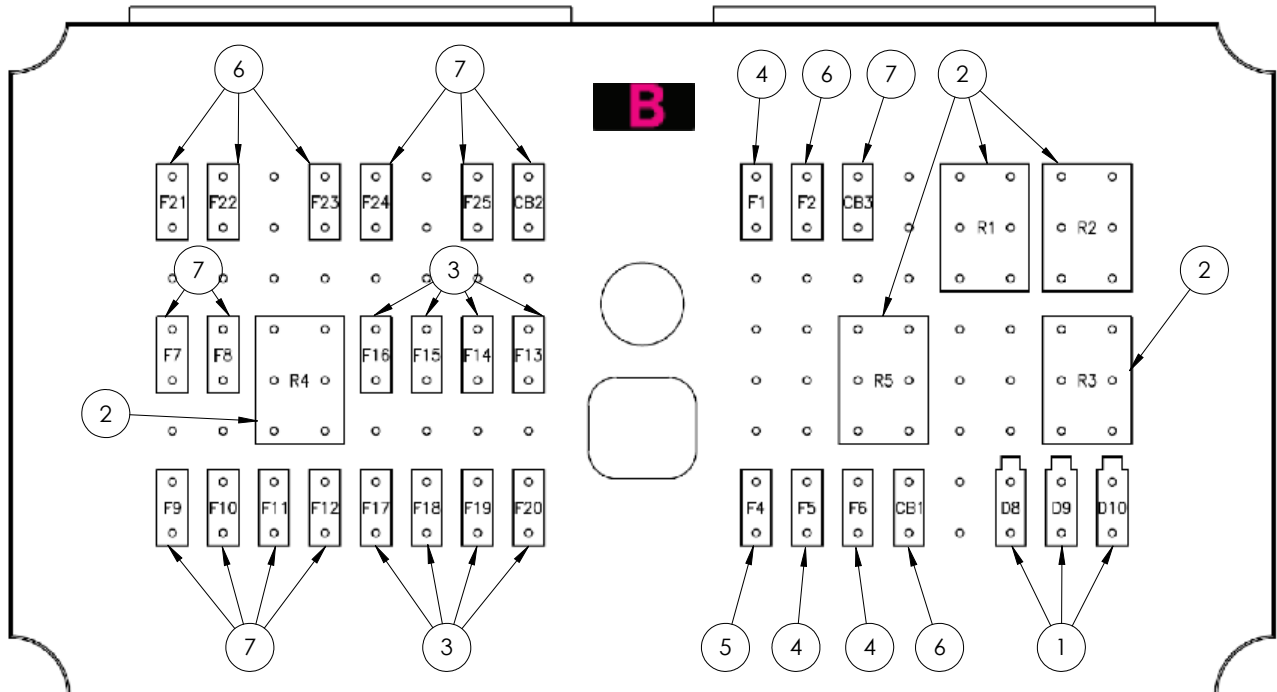
Continues Over Page

Fuse Box 'A' - Cabin



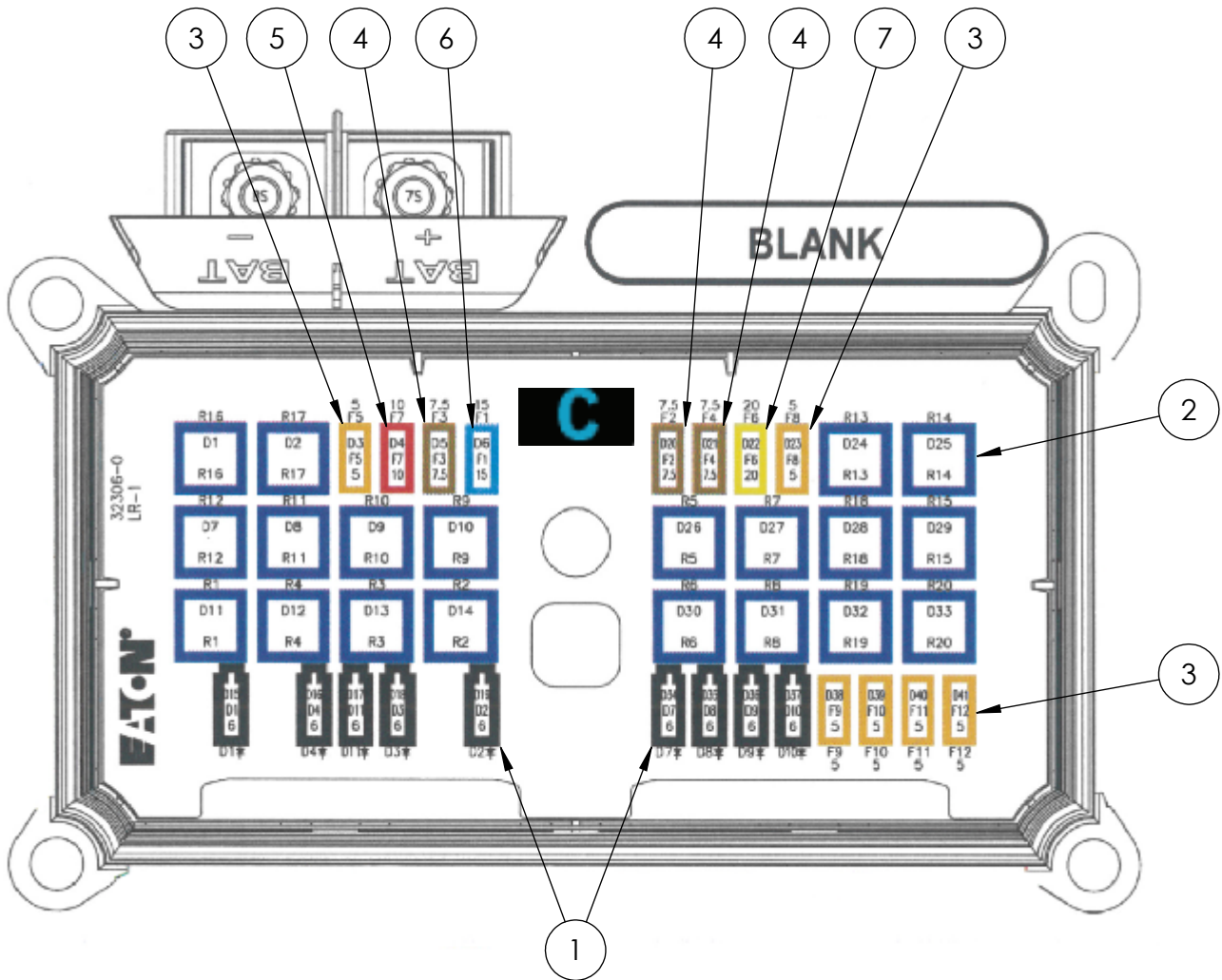
ITEM NO.	PART NUMBER	DESCRIPTION	QTY.
1	GA5075040	Diode, 6 Amp, With Wing Key, Suit Crop Cruiser 2009	2
2	GA5075035	Relay, Ultra Micro Iso280, 4 Pin Square, Spst, 12v 20a	14
3	GA5075030	Relay, Ultra Micro Iso280, 5 Pin, Spst, 12v 20a	1
4	GA5054840	Mini Blade Fuses 7.5amp	3
5	GA5054845	Mini Blade Fuses 10 Amp	4
6	GA5054850	Mini Blade Fuses 15 Amp	7
7	GA5054855	Mini Blade Fuses 20 Amp	5
8	GA5075055	Flasher Relay, Suit Sp Micro Fuse Box, Blinker, Indicator, 3 Pin Iso, Led 12v	1

Fuse Box 'B' - Cabin



ITEM NO.	PART NUMBER	DESCRIPTION	QTY.
1	GA5075040	Diode, 6 Amp, With Wing Key, Suit Crop Cruiser 2009	3
2	GA5075035	Relay, Ultra Micro Iso280, 4 Pin Square, Spst, 12v 20a	5
3	GA3000396	Fuse, Mini Blade, 5 Amp, 52705	8
4	GA5054845	Mini Blade Fuses 10 Amp	3
5	GA5054850	Mini Blade Fuses 15 Amp	1
6	GA5054855	Mini Blade Fuses 20 Amp	6
7	GA5054865	Fuse Mini Blade 30 Amp (52730)	10

Fuse Box 'C' - Cabin

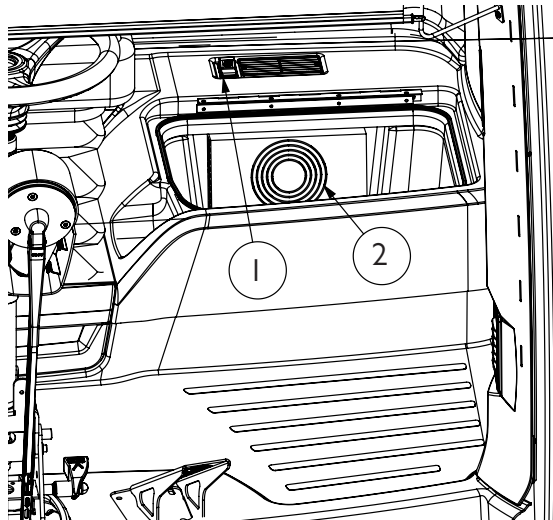


ITEM NO.	PART NUMBER	DESCRIPTION	QTY.
1	GA5075040	Diode, 6 Amp, With Wing Key, Suit Crop Cruiser 2009	9
2	GA5075035	Relay, Ultra Micro Iso280, 4 Pin Square, Spst, 12v 20a	20
3	GA3000396	Fuse, Mini Blade, 5 Amp, 52705	6
4	GA5054840	Mini Blade Fuses 7.5amp	3
5	GA5054845	Mini Blade Fuses 10 Amp	1
6	GA5054850	Mini Blade Fuses 15 Amp	1
7	GA5054855	Mini Blade Fuses 20 Amp	1

Cabin - Fuse Boxes

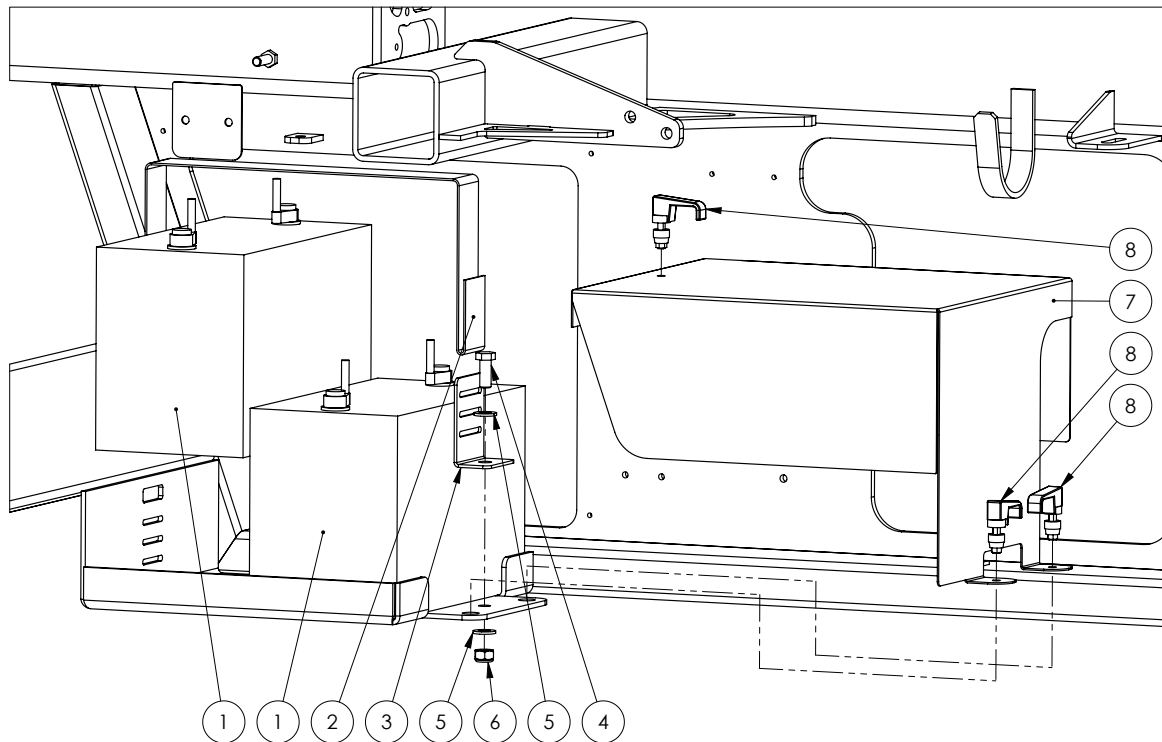
ITEM NO.	PART NUMBER	DESCRIPTION	QTY.
10	GA4552135	SPACER FOR ALTEK ROTARY VALVE	12
11	GA5049020	BOLT M4 X 25 PAN HEAD SS	8
12	GA5020510	WASHER 4MM FLAT SS	8
13	GA5004437	WASHER 6MM FLAT SS	17
14	GA5011421	SHCS M6 X 50 ZP GR12.9	12
15	GA5048640	RELAY, 12V, 180 AMP PEAK, 100 AMP CONTINUOUS, 4 PIN, NORMALLY OPEN	1
16	GA5004050	BHCS M6 X 16 SS GR8.8	4
17	GA5004429	NUT M6 NYLOC SS	1
18	GA5017643	WASHER, 1/4" ID X 5/8" OD X 18G, FLAT SS	3
-	GA5075040	DIODE, 6 AMP, WITH WING KEY	1

Cabin - Fridge - Optional



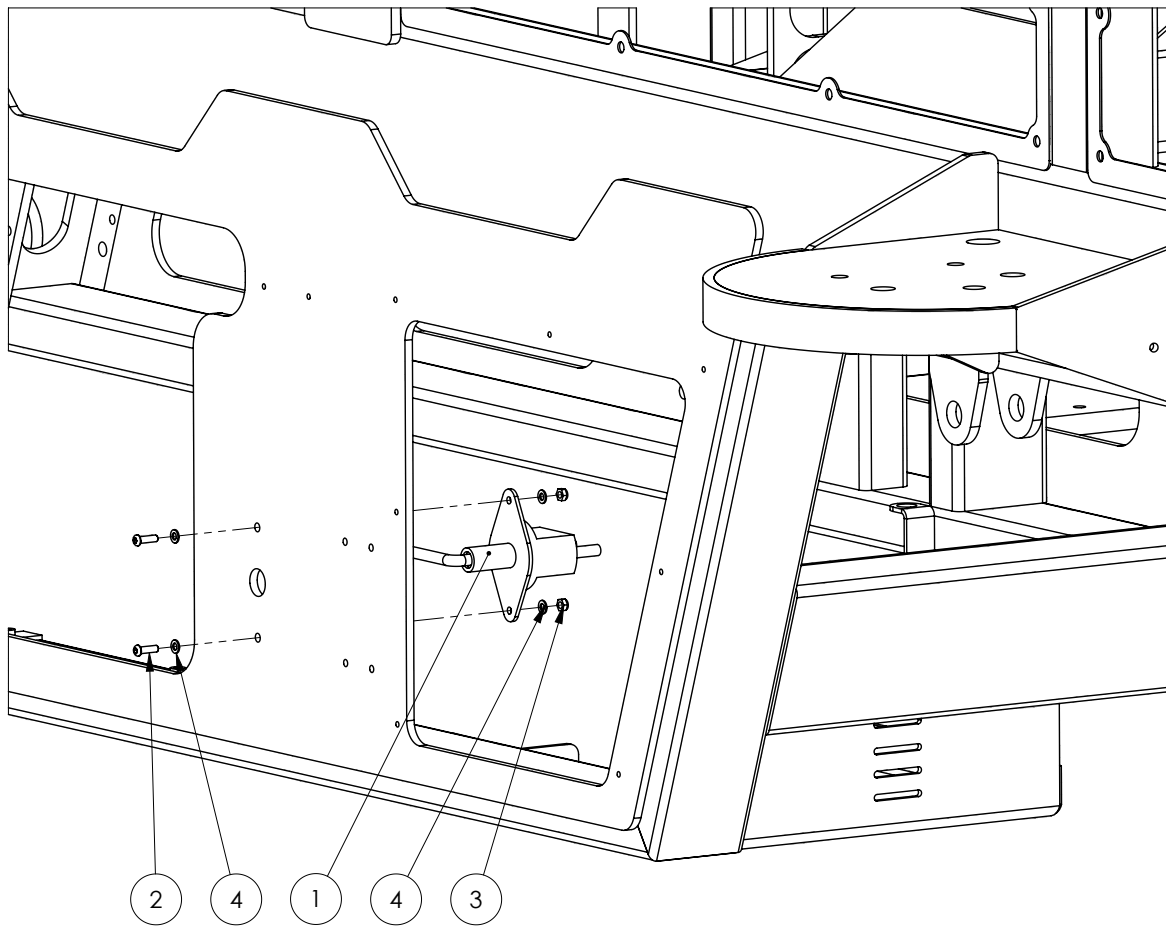
ITEM NO.	PART NUMBER	DESCRIPTION	QTY.
-	GA5070396	LOOM FRIDGE CLAAS CABIN	-
-	GA5060061	ELECTRICAL HARNESS, COOLER CABIN FRIDGE, SUIT GATMC	-
-	GA5060062	ELECTRICAL HARNESS, COOLER CABIN FRIDGE, SUIT RAVEN	-
1	GA5070397	ROCKER SWITCH, CLAAS FRIDGE COOLER	1
2	GA5070395	FRIDGE COOLING MODULE, SUIT CLAAS CABIN	1

Batteries



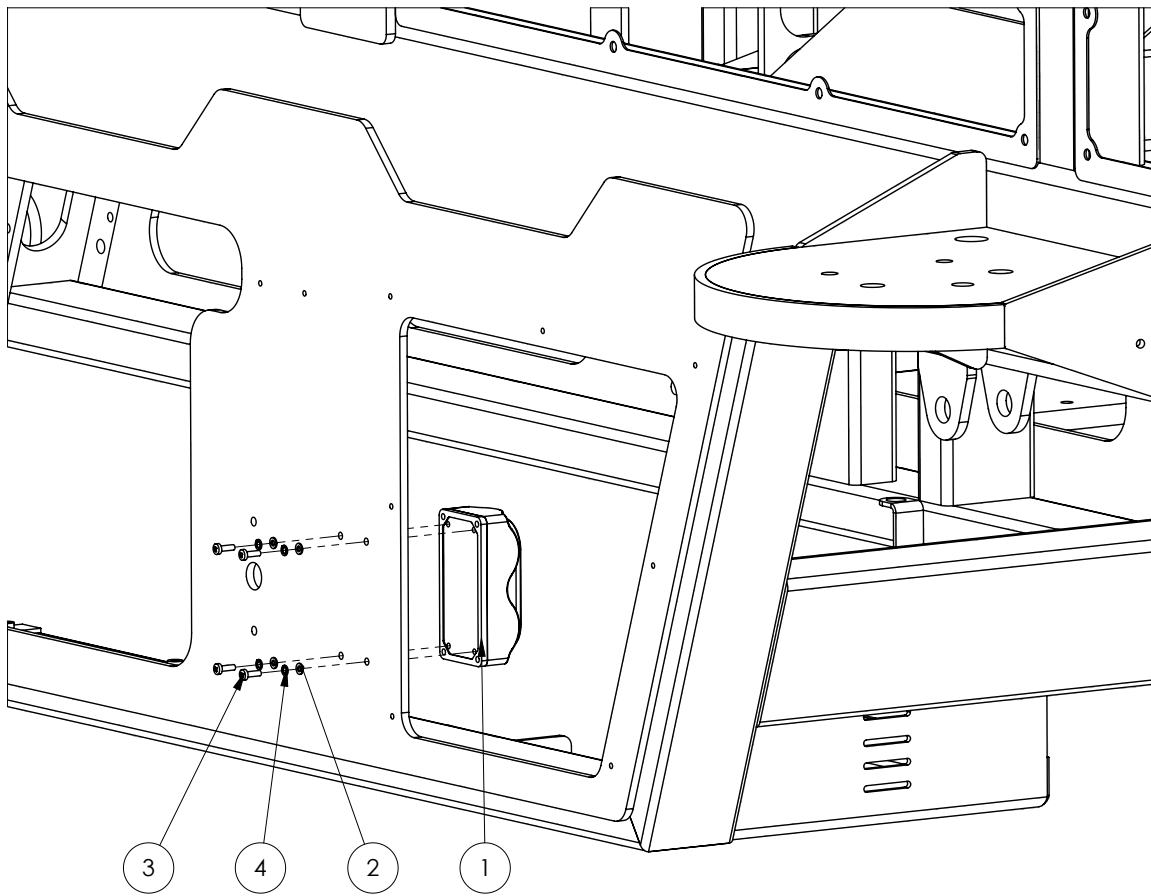
ITEM NO.	PART NUMBER	DESCRIPTION	QTY.
1	GA5066240	BATTERY, DELKOR 3I-900, 900 CCA, SUIT SP	2
2	GA5003859	STRAP, TANK, 50MM, GOLDACRES BRANDED (CUT TO 1000 MM)	1
3	F70127A	BRACKET, TANK STRAP, 50MM	1
4	GA5000305	SET SCREW M12 X 30 GR8.8 ZP	1
5	GA5000577	WASHER 12MM FLAT SS HD	2
6	GA5012461	NUT M12 NYLOC ZP	1
7	GA4510395	PLATE, BATTERY COVER	1
8	GA5066600	RAWL ACTION LATCH	3

Battery Isolator



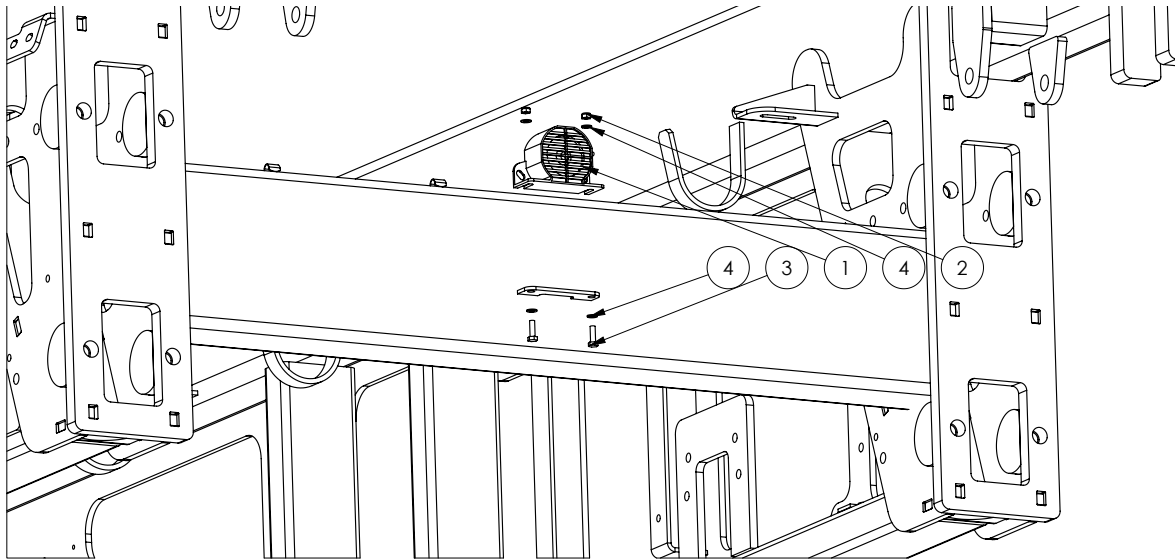
ITEM NO.	PART NUMBER	DESCRIPTION	QTY.
1	GA5005787	BATTERY ISOLATOR SWITCH, LARGE WITH REMOVABLE KEY	1
	GA5005788	BATTERY ISOLATOR REPLACEMENT KEY, SUIT GA5005787	-
2	GA5004053	BHCS M6 X 20 SS A2-70	2
3	GA5048115	NUT M6 NYLOC ZP	2
4	GA5004437	WASHER 6MM FLAT SS	4

Bus Bar



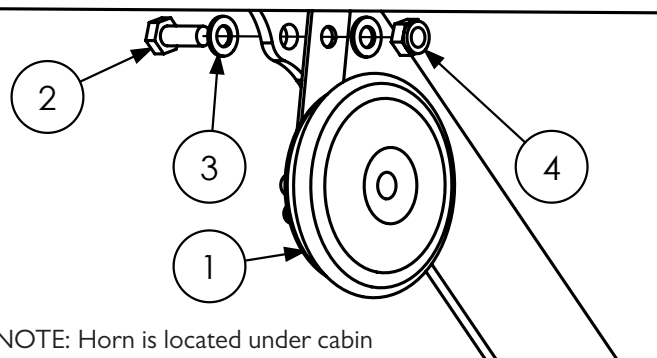
ITEM NO.	PART NUMBER	DESCRIPTION	QTY.
1	GA5050630	BUSS BAR 300 AMP	1
2	GA5003983	WASHER 5MM FLAT SS	4
3	GA5003977	BOLT PAN HEAD M5 X 16 SS A2-70	4
4	GA5003629	WASHER 5MM SPRING SS	4

Reverse Warning Beeper



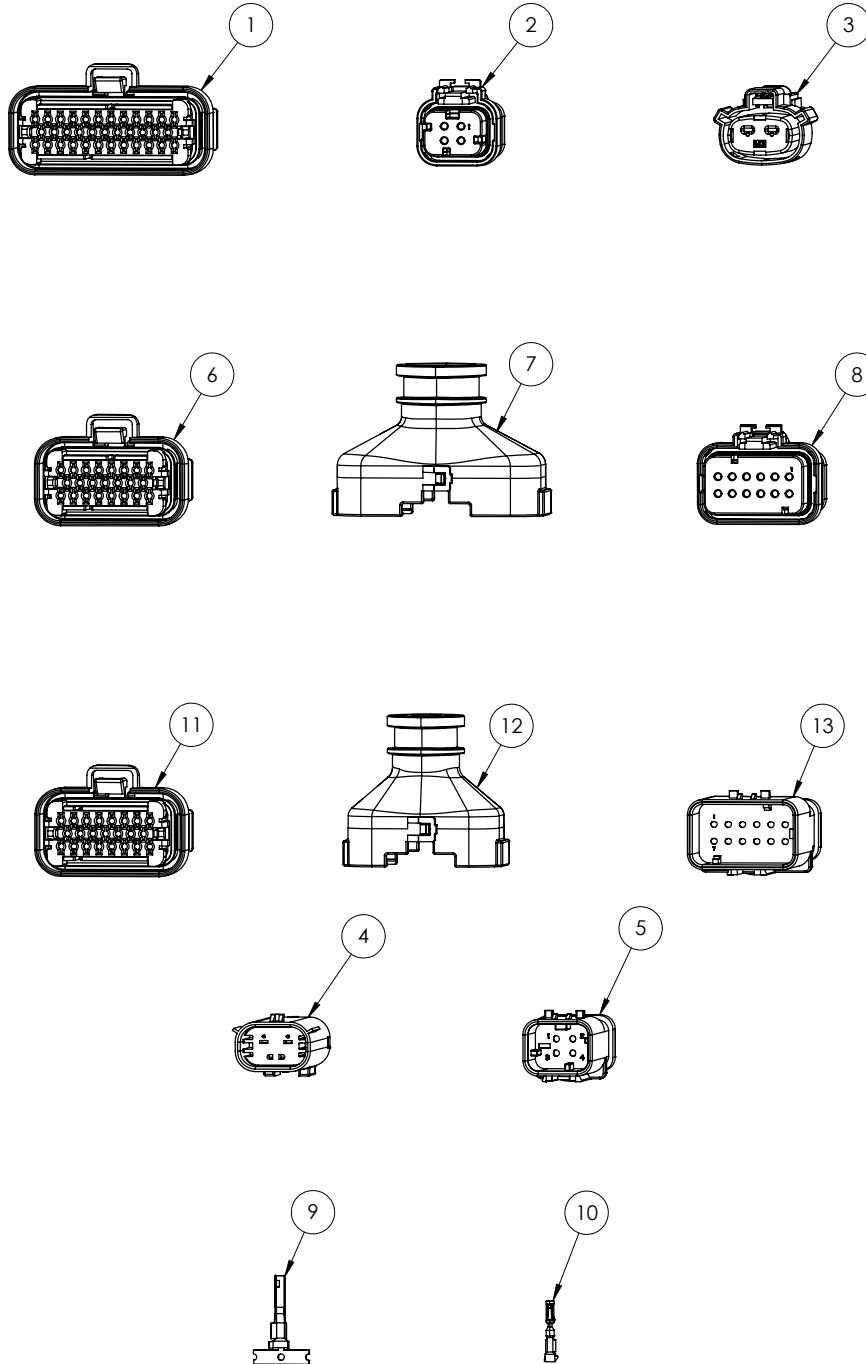
ITEM NO.	PART NUMBER	DESCRIPTION	QTY.
1	GA5011985	REVERSE BEEPER, 12V 102DB ALARM	1
2	GA5048115	NUT M6 NYLOC ZP	2
3	GA5004065	BOLT M6 X 20 GR8.8 ZP	2
4	GA5004437	WASHER 6MM FLAT SS	4

Horn



ITEM NO.	PART NUMBER	DESCRIPTION	QTY.
1	GA5011983	DISC HORN, HIGH TONE, 12V	1
2	GA5004085	BOLT M8 X 20 ZP GR8.8	1
3	GA5003643	WASHER 8MM FLAT SS HEAVY DUTY	2
4	GA5052590	NUT M8 NYLOC SS	1

Electrical Connectors - Raven - RCM & XRT

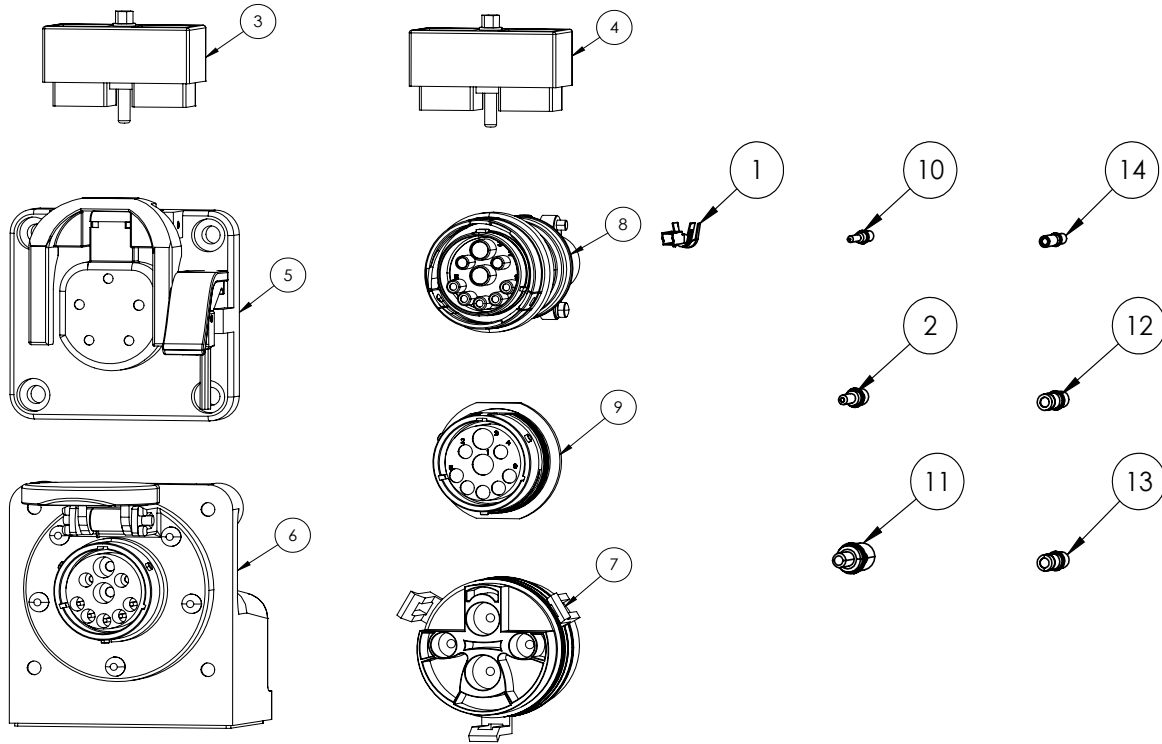


ITEM NO.	PART NUMBER	DESCRIPTION	QTY.
1	GA3001135	ELECTRICAL CONNECTOR, 35 PIN PLUG, BLACK, AMPSEAL, 776164-1	1
2	GA3000839	ELECTRICAL CONNECTOR, 4 SOCKET, RED PLUG, 18-14 AWG, AMPSEAL 16, 776524-1	1
3	GA3001141	ELECTRICAL CONNECTOR, 2 PIN RECEPTACLE, MOLEX 19432-0013, SUIT 19434-0003 SOCKETS	-
4	GA3001142	ELECTRICAL CONNECTOR, 2 PIN PLUG, MOLEX 19433-0013, SUIT 19431-0001 PINS	-

Electrical Connectors - Raven - RCM & XRT

ITEM NO.	PART NUMBER	DESCRIPTION	QTY.
5	GA3000840	ELECTRICAL CONNECTOR, 4 PIN, RED INTERNAL RECEPTACLE, 18-14 AWG, AMPSEAL 16, 776488-1	-
6	GA3001136	ELECTRICAL CONNECTOR, 23 PIN PLUG, BLACK, AMPSEAL, 770680-1	-
7	GA3001417	ELECTRICAL CONNECTOR, BACKSHELL, AMPSEAL, 35 POSITION, 2389807-1, 2 PER CONNECTOR	-
8	GA3001140	ELECTRICAL CONNECTOR, 12 PIN PLUG, AMPSEAL 16, SUIT DEUTSCH 16 SOCKETS, 776437-1	-
9	GA3001143	ELECTRICAL TERMINAL CONNECTOR, FEMALE, MX150L, MOLEX, 19434-0003	-
10	GA3001138	ELECTRICAL CONTACT, AMPSEAL GOLD SOCKET, 16-20 AWG, LOOSE PIECE, 770854-3	-
11	GA3001137	ELECTRICAL CONNECTOR, 23 PIN PLUG, GREY, AMPSEAL, 770680-4	-
12	GA3001416	ELECTRICAL CONNECTOR, BACKSHELL, AMPSEAL, 23 POSITION, 2389806-1, 2 PER CONNECTOR	-
13	GA3001139	ELECTRICAL CONNECTOR, 12 PIN RECEPTACLE, AMPSEAL 16, SUIT DEUTSCH 16 PINS, 776438-1	-

Electrical Connectors - ISO Bus - Deutsch & Raven

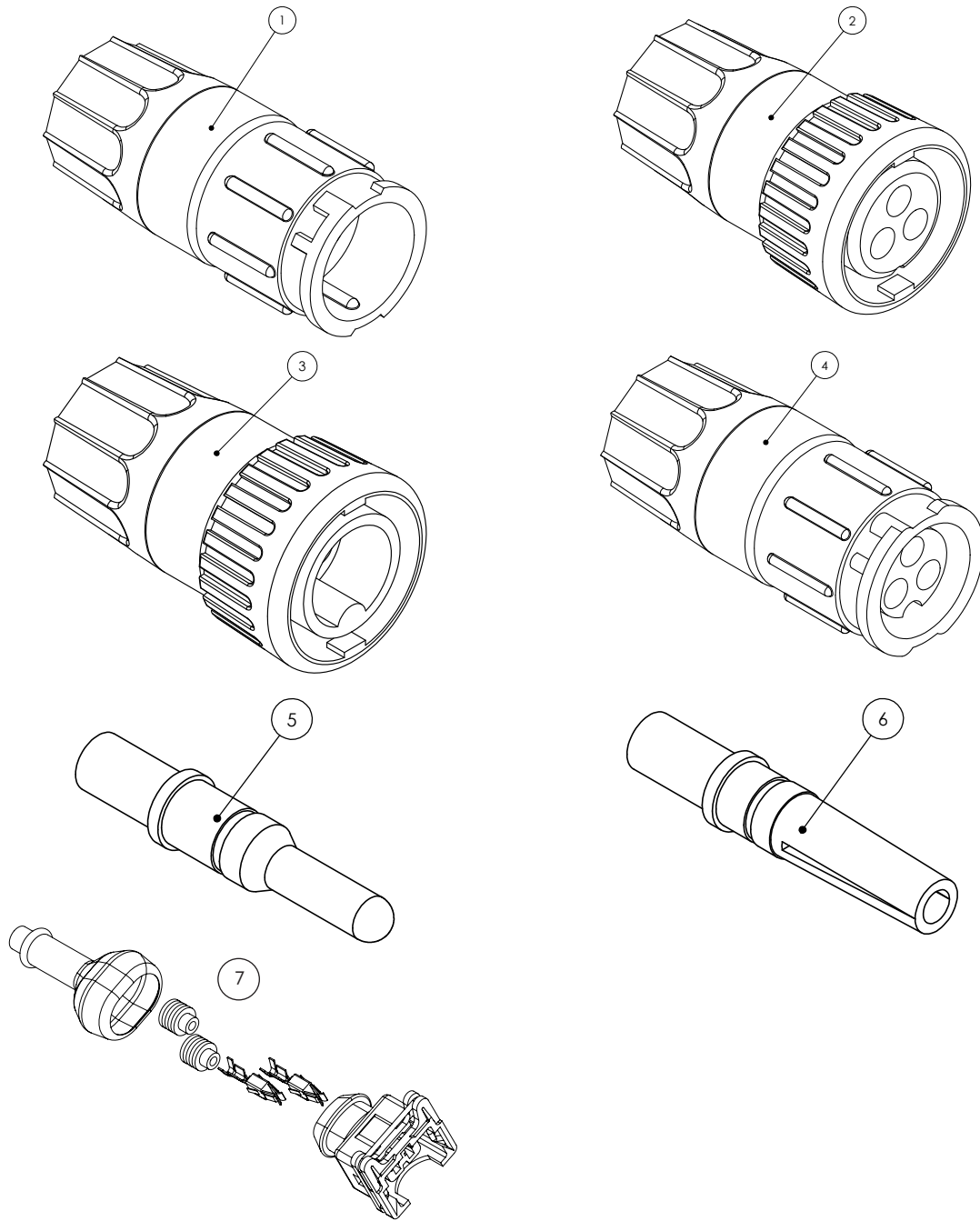


-ITEM NO.	PART NUMBER	DESCRIPTION	QTY.
1	GA5061370	CINCH TERMINAL FEMALE 16-18AWG, 425-00-00- 873	-
2	GA5061260	CONNECTOR, DEUTSCH, CONTACT, PIN, SOLID, AWG 12-14, NICKEL	-
3	GA3001152	ELECTRICAL CONNECTOR, CINCH, 30 WAY, A-K, SUIT PCI ISO NODE, 581-01-30-029	-
4	GA3001153	ELECTRICAL CONNECTOR, CINCH, 30 WAY, L-Y, SUIT PCI ISO NODE, 581-01-30-028	-
5	GA3000872	ELECTRICAL CONNECTOR, ISO BUS, 11783-2, 9 PIN, BOX, IBBC BREAKAWAY 408-4002-131	-
6	GA3000874	ELECTRICAL CONNECTOR, ISO BUS, 11783-2, 9 PIN, BOX, JD STYLE, IBBC HD34-24-91PN	-
7	GA3000873	ELECTRICAL CONNECTOR, ISO BUS, 4P PLUG IBRC SUIT GA3000872, 408-4002-132	-
8	GA3000870	ELECTRICAL CONNECTOR, ISO BUS, 9 PIN, HDB36- 24-91SE-059	-
9	GA3000875	ELECTRICAL CONNECTOR, ISO BUS, 9 PIN, CABLE MOUNT HD34-24-91PN	-
10	GA5061220	PIN, MALE, GOLD, NUMBER 16, DEUTSCH	-

Electrical Connectors - ISO Bus - Deutsch & Raven

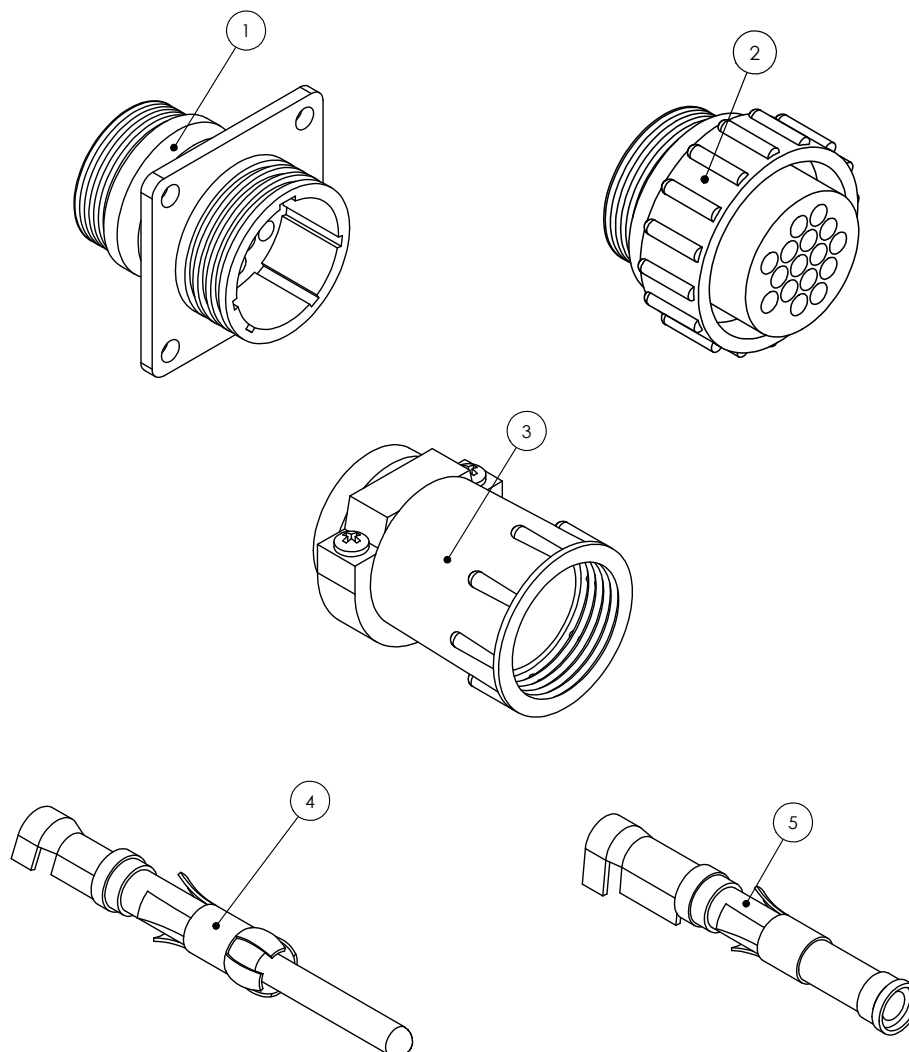
-ITEM NO.	PART NUMBER	DESCRIPTION	QTY.
11	GA3000876	PIN, MALE, SOLID, NICKEL, NUMBER 8, DEUTSCH, 0460-204-08141	-
12	GA3000877	SOCKET, FEMALE, SOLID, NICKEL, NUMBER 12, DEUTSCH	-
13	GA3000877	SOCKET, FEMALE, SOLID, NICKEL, NUMBER 8, DEUTSCH, 0462-203-08141	-
14	GA5061225	SOCKET, FEMALE, SOLID GOLD, NUMBER 16, DEUTSCH	-
-	GA5052840	SEALING PLUG, BLANKING PIN, WHITE, SIZE 12 - 16, DEUTSCH	-

Electrical Connectors - AMP



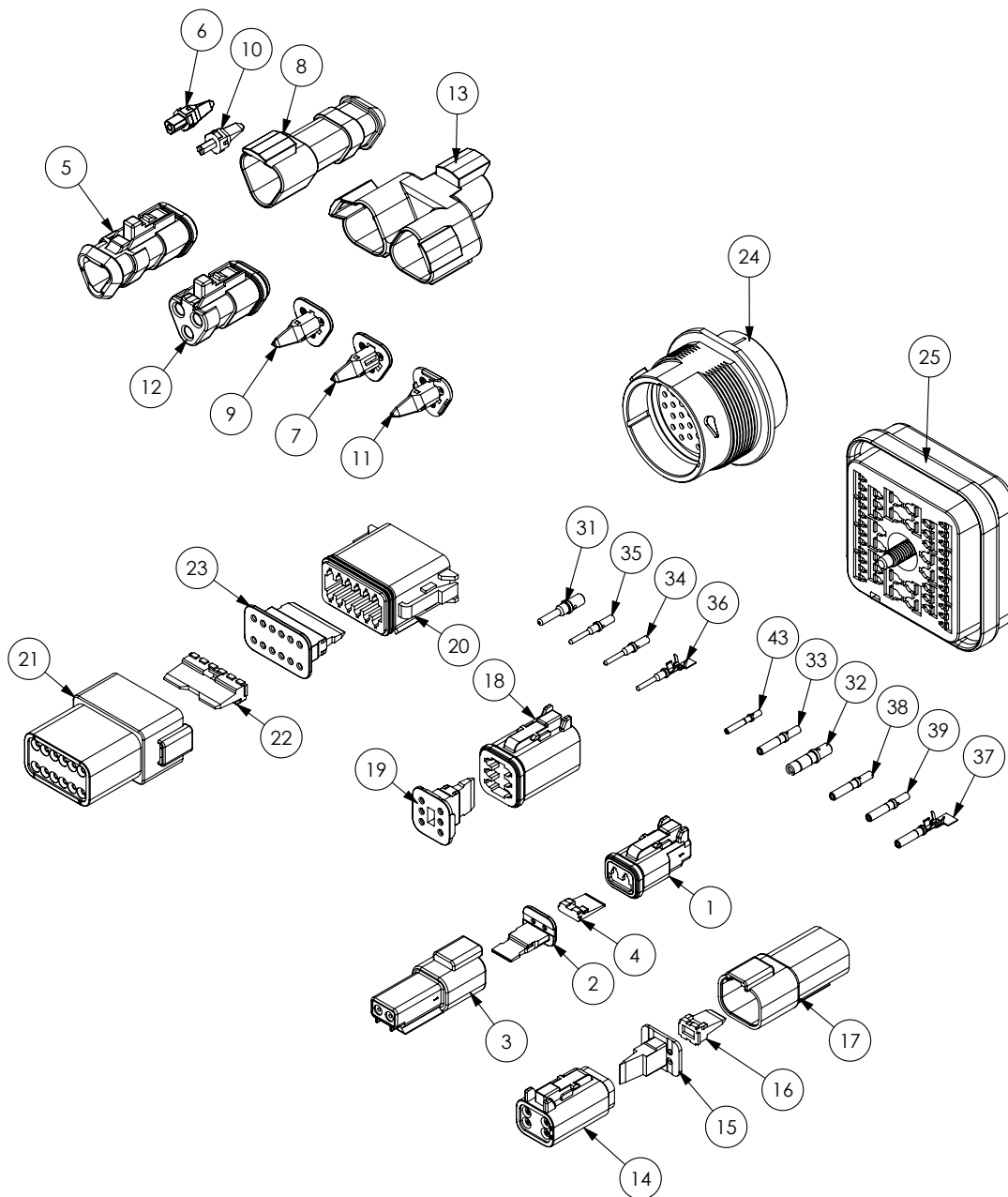
ITEM NO.	PART NUMBER	DESCRIPTION
1	GA5076921	MALE FLOW METER CONNECTOR
2	GA5076922	FEMALE FLOW METER CONNECTOR
3	GA5076920	MALE SPEED SENSOR CONNECTOR
4	GA5076923	FEMALE SPEED SENSOR CONNECTOR
5	GA5076927	MALE PIN FOR FLOW METER & SPEED SENSOR CONNECTORS
6	GA5076928	FEMALE SOCKET FOR FLOW METER & SPEED SENSOR CONNECTORS
7	GA5047728	PLUG, 2 PIN, BLACK, FUEL INJECTOR CONNECTOR, IP65K, AMP
-	GA5068945	CONNECTOR, 3 PIN AMP SUPER SEAL WATERPROOF MALE

Electrical Connectors - AMP



ITEM NO.	PART NUMBER	DESCRIPTION
1	GA5076924	CONNECTOR, 16 PIN AMP, SQUARE FLANGE, SUIT MALE PINS, RAVEN
2	GA5076925	CONNECTOR, 16 PIN AMP, SUIT FEMALE PINS, RAVEN
3	GA5049175	CONNECTOR, BACKING SHELL, SUIT 16 PIN AMP, RAVEN
4	GA5048905	PIN, 14-18 GAUGE GOLD, MALE, SUIT 16 PIN AMP
5	GA5048900	PIN, 14-18 GAUGE GOLD, FEMALE, SUIT 16 PIN AMP
-	GA5020785	CONNECTOR, 37 PIN AMP, MALE, RAVEN
-	GA5020780	CONNECTOR, 37 PIN AMP, FEMALE
-	GA5020560	CONNECTOR, BACKING SHELL 23, SUIT 37 PIN AMP, STANDARD SIZE
-	GA5020559	CONNECTOR, BACKING SHELL 23, SUIT 37 PIN AMP, LARGE SIZE
-	GA5020561	CONNECTOR DUST CAP, 37 PIN AMP, MALE, RAVEN
-	GA5020575	DUST CAP, 16 PIN AMP CONNECTOR, MALE
-	GA5075848	DUST CAP, 16 PIN AMP CONNECTOR, FEMALE
-	GA5075927	DUSTCAP 37 PIN SERIES 23 (4000 SERIES CONNECTOR DUST CAP, 37 PIN AMP, SERIES 23, RAVEN

Electrical Connectors - Deutsch



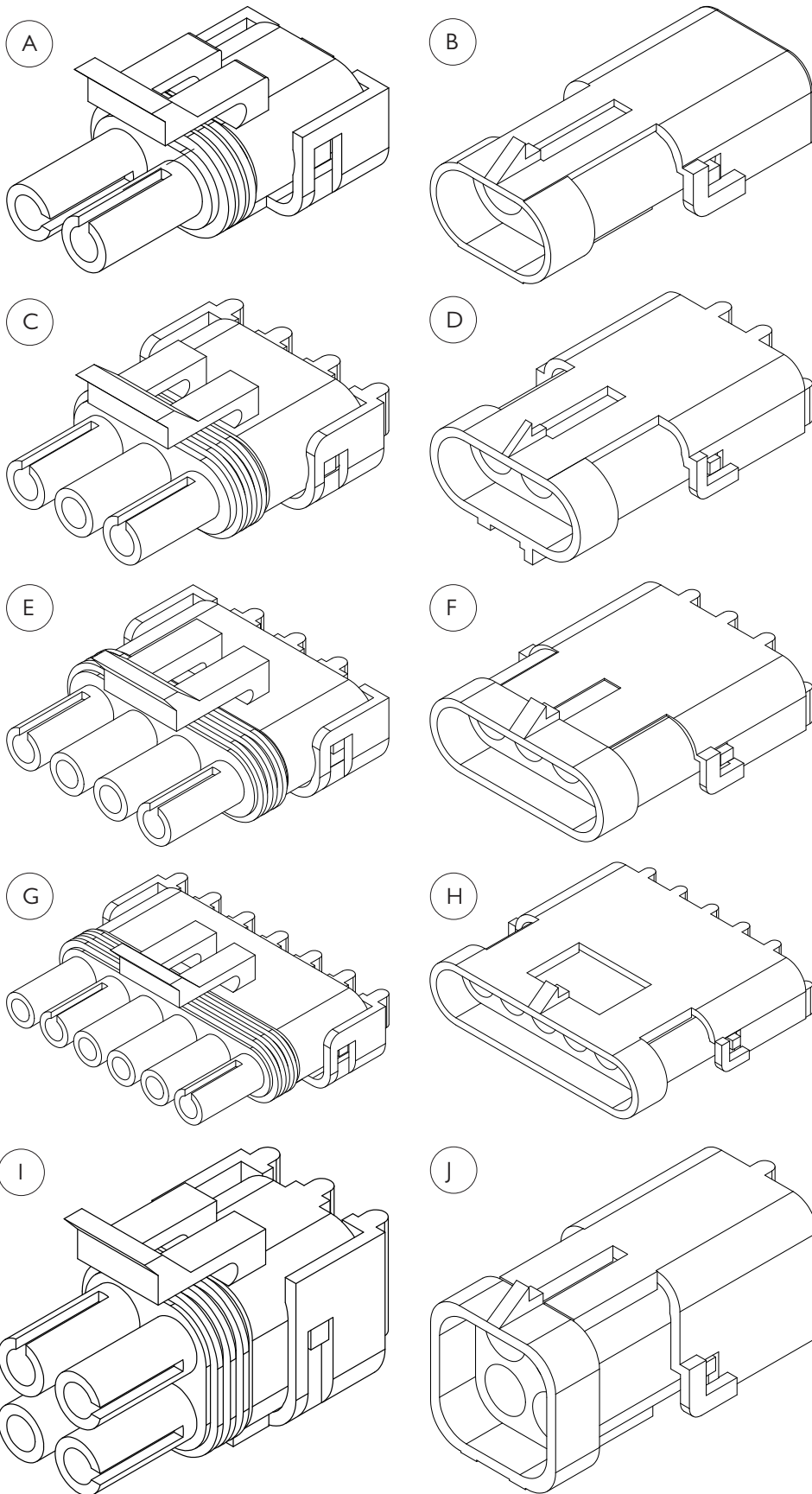
ITEM NO.	PART NUMBER	DESCRIPTION
1	GA5052820	PLUG, 2 WAY, SOCKET, DT SERIES, DEUTSCH
2	GA5052825	WEDGE LOCK, 2 WAY, SOCKETS, DT SERIES, DEUTSCH
3	GA5052830	RECEPTACLE, 2 WAY, PINS, DT SERIES, DEUTSCH
4	GA5052835	WEDGE LOCK, 2 WAY, DT SERIES, DEUTSCH
5	GA5011831	PLUG, 3 WAY SOCKETS, SHRINK BOOT ADAPTER, DEUTSCH
6	GA5017719	WEDGE LOCK, BLUE, 3 PIN, SUIT TERMINATOR, DEUTSCH
7	GA5017721	WEDGE LOCK, BLUE, 3 SOCKET, DEUTSCH
8	GA5050740	RECEPTICAL, 3 PIN, SHRINK BOOT, DEUTSCH
9	GA5050750	WEDGE LOCK, ORANGE, 3 SOCKET, DEUTSCH

Continues Over Page

Electrical Connectors - Deutsch

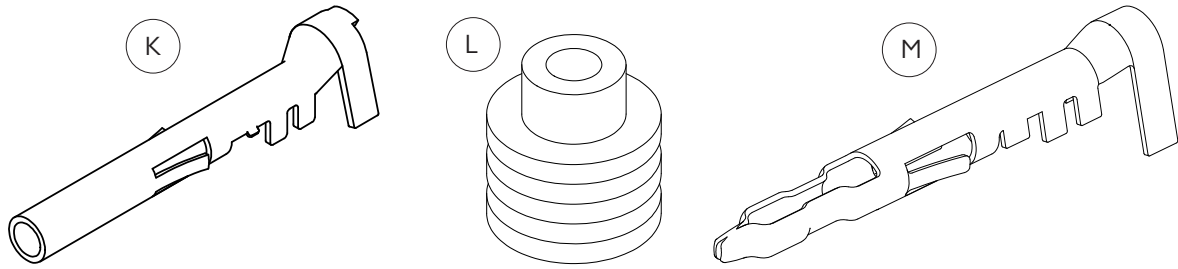
ITEM NO.	PART NUMBER	DESCRIPTION
10	GA5050760	WEDGE LOCK, GREEN, 3 PIN, DEUTSCH
11	GA5050761	WEDGE LOCK, GREEN, 3 SOCKET, DEUTSCH
12	GA5054350	PLUG, GREY, 120 OHM RESISTOR TERMINATOR, DEUTSCH
13	GA5054365	RECEPTACLE, 3 WAY 3 PIN, Y SPLITTER, DEUTSCH
14	GA5050840	PLUG, 4 WAY SOCKET, DT SERIES, DEUTSCH
15	GA5050845	WEDGE LOCK, ORANGE, 4 WAY SOCKETS, DEUTSCH
16	GA5050765	WEDGE LOCK, GREEN, 4 WAY PINS, DEUTSCH
17	GA5013783	RECEPTACLE, 4 WAY, PINS, DT SERIES DEUTSCH
18	GA5050960	PLUG, 6 WAY SOCKET, DT SERIES, DEUTSCH
19	GA5050965	WEDGE LOCK, ORANGE, 6 WAY SOCKETS, DT SERIES, DEUTSCH
20	GA5061780	PLUG, 12 WAY SOCKETS, DT SERIES, DEUTSCH
21	GA5061785	RECEPTACLE, 12 WAY SUIT PINS, DT SERIES, DEUTSCH
22	GA5070590	WEDGE LOCK, GREEN, 12 WAY SUIT PINS, DEUTSCH
23	GA5070595	WEDGE LOCK, GREEN, 12 WAY SOCKETS, DEUTSCH
24	GA5061790	RECEPTACLE, 31 PIN, HPD SERIES, DEUTSCH
25	GA5060440	PLUG, 48 PIN SUITS PINS, DRB SERIES, DEUTSCH
26	GA5060445	WEDGE LOCK, 48 WAY SUITS PINS, DRB SERIES, DEUTSCH
27	GA5060450	FLANGE CONNECTOR, 48 WAY SUITS DRB SERIES, DEUTSCH
28	GA5060455	WEDGE LOCK, 48 WAY SUIT, SOCKETS, DRB SERIES, DEUTSCH
29	GA5060460	PLUG, 48 PIN SUITS SOCKETS, DRB SERIES, DEUTSCH
30	GA5061170	RUBBER BOOT, SUIT 48 PIN DRB SERIES, DEUTSCH
31	GA5061260	PIN, MALE, SOLID, NICKEL, NUMBER 12, DEUTSCH
32	GA5061270	SOCKET, FEMALE, SOLID, NICKEL, NUMBER 12, DEUTSCH
33	GA5053235	SOCKET, FEMALE, NICKEL, NUMBER 14, GREEN BAND, DEUTSCH
34	GA5061220	PIN, MALE, GOLD, NUMBER 16, DEUTSCH
35	GA5061240	PIN, MALE, SOLID, NICKEL, NUMBER 16, GREEN BAND, AWG 14, DEUTSCH
36	GA5075255	PIN, MALE, NICKEL, CRIMP STYLE, NUMBER 16, DEUTSCH
37	GA3000022	SOCKET, FEMALE, NICKEL, CRIMP STYLE, NUMBER 16, DEUTSCH
38	GA5061225	SOCKET, FEMALE, SOLID GOLD, NUMBER 16, DEUTSCH
39	GA5061230	SOCKET, FEMALE, SOLID, NICKEL, NUMBER 16, DEUTSCH
40	GA5061235	SOCKET, SOLID GOLD, NUMBER 16, 16-20 AWG, DEUTSCH
41	GA5061200	PIN, MALE, SOLID, NICKEL, NUMBER 20, DEUTSCH
42	GA5061205	PIN, MALE, SOLID, GOLD, NUMBER 20, DEUTSCH
43	GA5061210	SOCKET, FEMALE, SOLID, NICKEL, NUMBER 20, DEUTSCH
44	GA5061215	SOCKET, FEMALE, SOLID, GOLD, NUMBER 20, DEUTSCH
45	GA5052840	SEALING PLUG, WHITE, SIZE 12 - 16, DEUTSCH

Electrical Connectors - Weather Pack



Continues Over Page

Electrical Connectors - Weather Pack



ITEM NO.	PART NUMBER	DESCRIPTION
-	GA5049685	BOOT, WEATHER PACK, SUIT 2 PIN CONNECTOR
-	GA5049690	BOOT, WEATHER PACK, SUIT 3 PIN CONNECTOR
A	GA5001351	CONNECTOR, MALE, 2 PIN, WEATHER PACK
B	GA5007381	CONNECTOR, 2 PIN, FEMALE, WEATHER PACK
C	GA5002211	CONNECTOR, MALE, 3 PIN, WEATHER PACK
D	GA5048550	CONNECTOR, FEMALE, 3 PIN, WEATHER PACK
E	GA5007385	CONNECTOR, MALE, 4 PIN, WEATHER PACK
F	GA5007383	CONNECTOR, FEMALE, 4 PIN, FLAT, WEATHER PACK
G	GA5004009	CONNECTOR, MALE, 6 PIN, WEATHER PACK
H	GA5048510	CONNECTOR, FEMALE, 6 PIN, WEATHER PACK
I	GA5049000	CONNECTOR, FEMALE, 4 PIN, SQUARE, WEATHER PACK
J	GA5050805	CONNECTOR, MALE, 4 PIN, SQUARE, WEATHER PACK
K	GA5016619	PIN, FEMALE, SEALED, WEATHER PACK, WIRE 1.0 - 2.0MM
L	GA5014857	SEAL, GREEN, WEATHER PACK CONNECTOR, WIRE FROM 2.03 - 2.85MM
M	GA5016617	PIN, MALE, SEALED, WEATHER PACK, WIRE 1.0 - 2.0MM

Electrical Harnesses & Components

CHASSIS

PART NUMBER	DESCRIPTION
GA3000075	ELECTRICAL HARNESS, CHASSIS, SPRAY
GA3000080	ELECTRICAL HARNESS, MAIN CHASSIS
GA3000097	ELECTRICAL HARNESS, BATTERY LEAD KIT
GA3000098	ELECTRICAL HARNESS, EXTENSION KIT SUIT GA3000080, G8 AND G10S
GA3000247	ELECTRICAL HARNESS, HYDRAULIC 48M BOOM
GA5060043	ELECTRICAL HARNESS, BOOM SUSPENSION LOCKOUT FOR TRANSPORT
GA5060066	ELECTRICAL HARNESS, TAIL LIGHT CONNECTION

CABIN

PART NUMBER	DESCRIPTION
GA3000078	ELECTRICAL HARNESS, MAIN SIDE CONSOLE, RAVEN
GA3000083	ELECTRICAL HARNESS, CLAAS SEAT POWER ADAPTOR
GA3000086	ELECTRICAL HARNESS, CLARION STEREO HEAD UNIT 15 PIN TO ISO 16 PIN
GA3000088	ELECTRICAL HARNESS, CLAAS JOYSTICK AUX FUNCTIONS, RAVEN SIDE DASH
GA3000089	ELECTRICAL HARNESS, MAIN CABIN CLAAS
GA3000248	ELECTRICAL HARNESS, 48M, CABIN SWITCH HARNESS
GA5060042	ELECTRICAL HARNESS, POWER LEAD KIT SIDE CONSOLE, RAVEN
GA5060044	ELECTRICAL HARNESS, ENGINE MONITOR CAN

CABIN - OPTIONAL

PART NUMBER	DESCRIPTION
GA5060061	ELECTRICAL HARNESS, COOLER CABIN FRIDGE

TRIMBLE SYSTEM

PART NUMBER	DESCRIPTION
GA3000062	ELECTRICAL HARNESS, RAVEN ISO TO TRIMBLE FMX/FM1000 DISPLAY

RAVEN RCM SYSTEM

PART NUMBER	DESCRIPTION
GA3000361	DIODE 4 BANK, SUIT RCM BOOM HARNESS, RAVEN
GA3000251	TERMINATOR, CAN, ACTIVE, SUIT ISO BUS, RAVEN
GA3000253	ELECTRICAL HARNESS, RCM, G8 CHASSIS
GA3000258	ELECTRICAL HARNESS, RCM, 16 SECTION 3 TIER, BOOM CENTER
GA3000264	ELECTRICAL HARNESS, RCM, 16 SECTION 3 TIER, BREAKOUT
GA3000259	ELECTRICAL HARNESS, BOOM INNER 36-48M, 16 SECTION , 2 TIER
GA3000269	ELECTRICAL HARNESS, BOOM OUTER 36-48M, 16 SECTION , 2 TIER
GA3000260	ELECTRICAL HARNESS, BOOM INNER 36-48M, 16 SECTION , 1 TIER
GA3000270	ELECTRICAL HARNESS, BOOM OUTER 36-48M, 16 SECTION , 1 TIER

Continues Over Page

Electrical Harnesses & Components

JOHN DEERE SYSTEM

PART NUMBER	DESCRIPTION
GA3000138	ELECTRICAL HARNESS, MAIN ISO SIDE CONSOLE ARMREST
GA3000141	ELECTRICAL HARNESS, STEERING VALVE CABLE
GA3000142	ELECTRICAL HARNESS, ROOF CABLE EXTENSION
GA3000144	SENSOR, LINEAR NON CONTACT, STEERING, 250MM
GA3000145	ROSE END, M10 SUIT GA3000144
GA3000146	STUD END, M10 SUIT GA3000144
GA3000147	ELECTRICAL HARNESS, JD AUTOTRACK NODE
GA3000148	ELECTRICAL HARNESS, JD STARFIRE ROOF ADAPTER
GA3000156	ELECTRICAL HARNESS, JD GREENSTAR CABLE

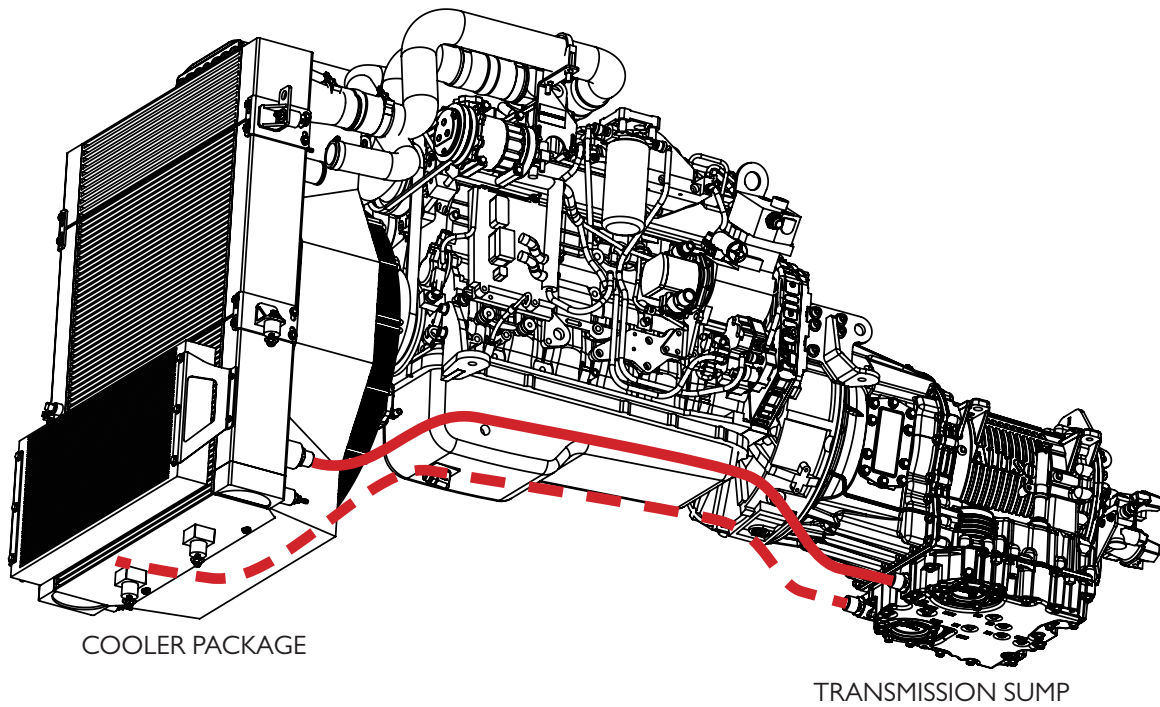
NORAC SYSTEM

PART NUMBER	DESCRIPTION
GA3000111	CONTROLLER MODULE, UC5 INPUT PASS THROUGH, NORAC
GA3000112	CONTROLLER MODULE, UC5 VALVE, NORAC
GA3000113	CONTROLLER MODULE, UC5, CAN BUS, NORAC
GA3000114	ELECTRICAL HARNESS, UC5 BATTERY FEED FUSED, NORAC
GA3000116	ELECTRICAL HARNESS, UC5 NETWORK, 1M, 14 AWG, NORAC
GA3000117	ELECTRICAL HARNESS, UC5 NETWORK, 10M, 14 AWG, NORAC
GA3000120	ELECTRICAL HARNESS, UC5 VALVE 2 PIN DT, NORAC
GA3000122	ELECTRICAL HARNESS, UC5, TILT INTERFACE GOLDACRES, NORAC
GA3000123	NETWORK COUPLER, UC5, 2 WAY, BLACK, NORAC
GA3000124	NETWORK COUPLER, UC5, 2 WAY, WHITE, TERMINATOR, NORAC
GA3000125	NETWORK COUPLER, UC5, 3 WAY, NORAC
GA3000126	NETWORK COUPLER, UC5, 8 WAY, NORAC
GA3000127	SENSOR, LINEAR POSITION NF, UC5, NORAC
GA3000128	ULTRASONIC SENSOR, UC5, NORAC
GA3000129	CONNECTOR, PLUG, UC5 NETWORK, 6 PIN, NORAC
GA3000130	CONNECTOR, PLUG, UC5 NETWORK, 2 PIN, NORAC
GA3000238	ELECTRICAL HARNESS, UC5 MAIN INTERFACE, CLOSED CENTER, NORAC
GA3500136	HYDRAULIC CYLINDER, WING ROLL WITH POSITION SENSOR, NORAC
GA3500137	HYDRAULIC FITTING KIT, 12 PARTS, GNI, NORAC
GA3500138	VALVE BLOCK, 2 STATION ASSEMBLY, OPEN CENTRE, PROPORTIONAL, DT 4 BOLT, NORAC
GA3500139	VALVE BLOCK, EXPANSION ASSEMBLY, DPOC PROP DT 4 BOLT, NORAC
GA5075480	BRACKET, LINEAR POSITION SENSOR MOUNT, NORAC
GA5075490	MOUNTING BRACKET, SUIT ULTRA SONIC SENSOR, LOW PROFILE, NORAC
GA8700394	MANUAL, INSTALLATION, UC5 GOLDACRES ACTIVE WING ROLL, NORAC
GA8700396	MANUAL, NORAC UC5 OPERATORS MANUAL

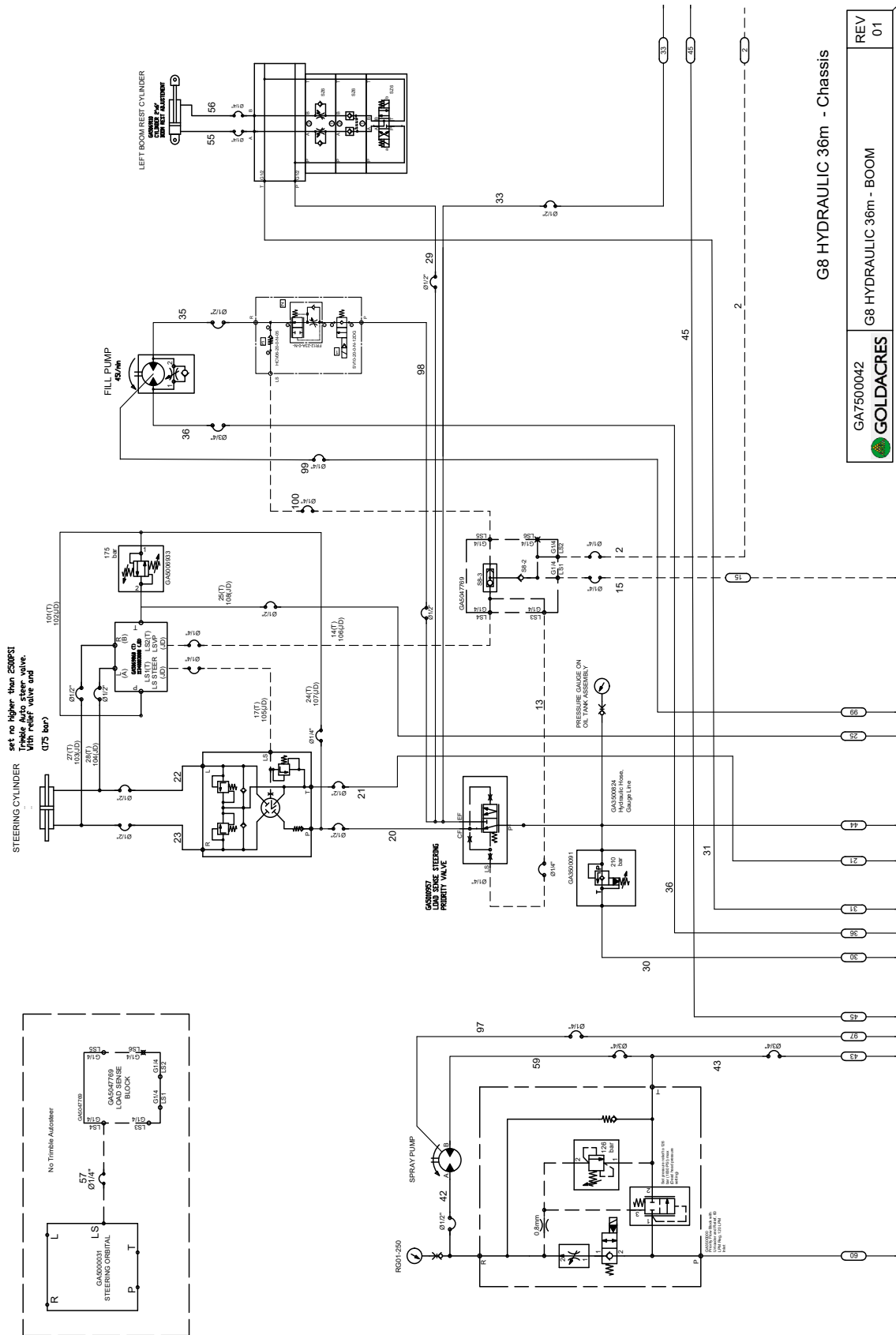
Chapter 16

SCHEMATICS

Hydraulics - Transmission Lines



Hydraulics - Chassis - 36mt

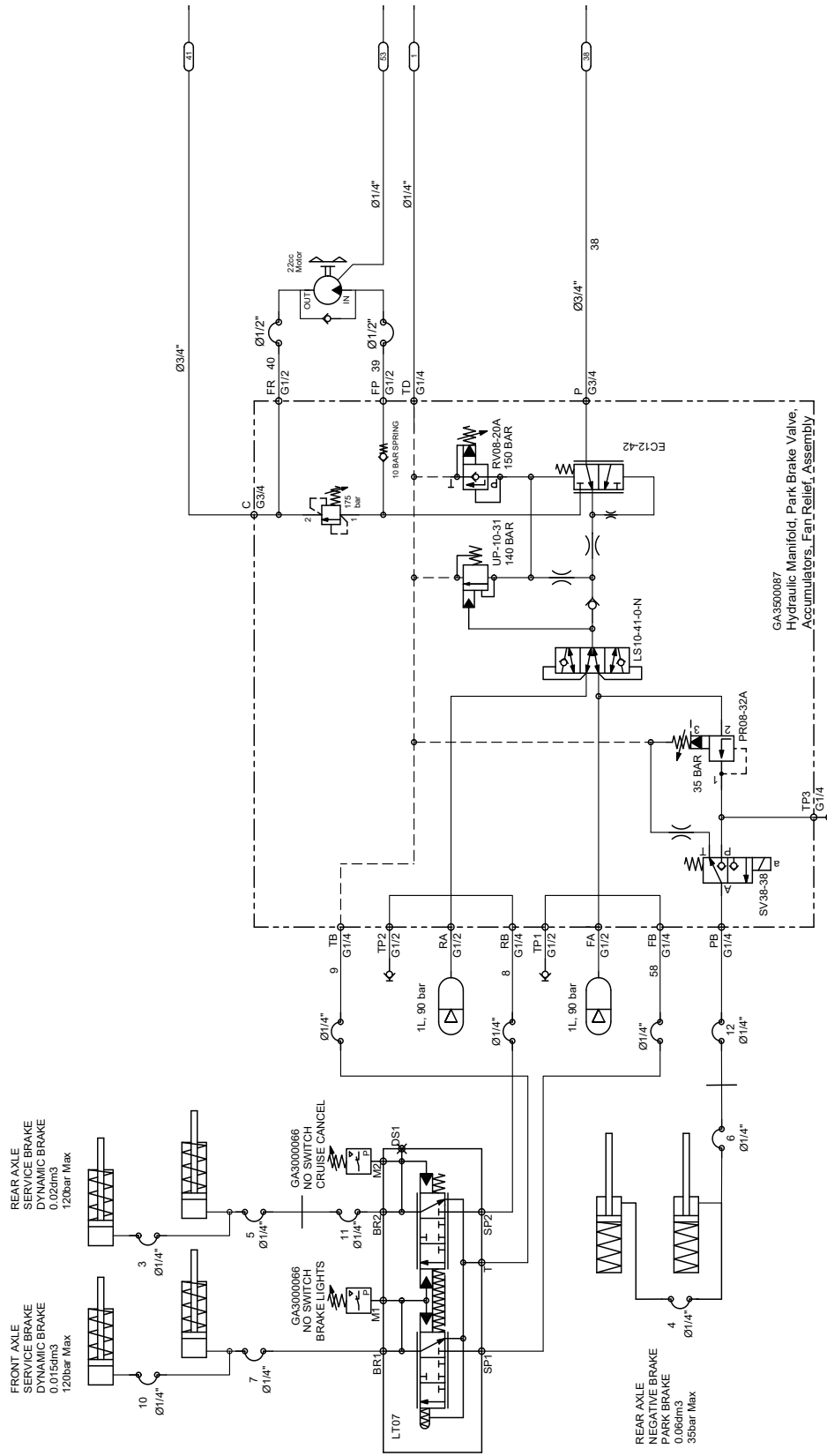


G8 HYDRAULIC 36m - Chassis

GAT500042 GOLDACRES
 G8 HYDRAULIC 36m - BOOM
 REV 01

Continued over page

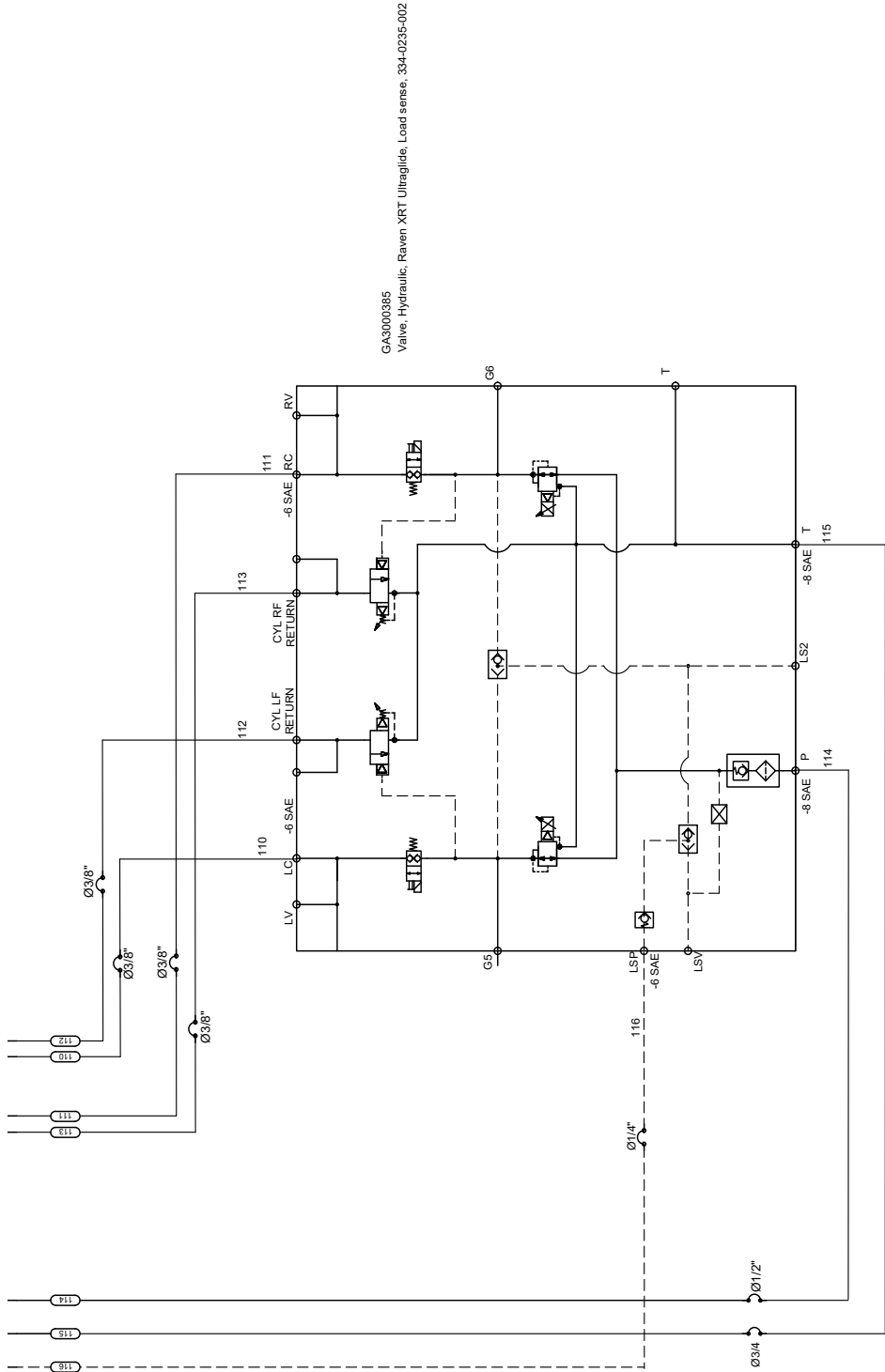
Hydraulics - Fan & Braking System - 36mt



G8 HYDRAULIC 36m - Fan and Brake Circuit

GA7500042	G8 HYDRAULIC 36m - BOOM	REV 01
GOLDACRES		

Hydraulics - Raven XRT - 36mt

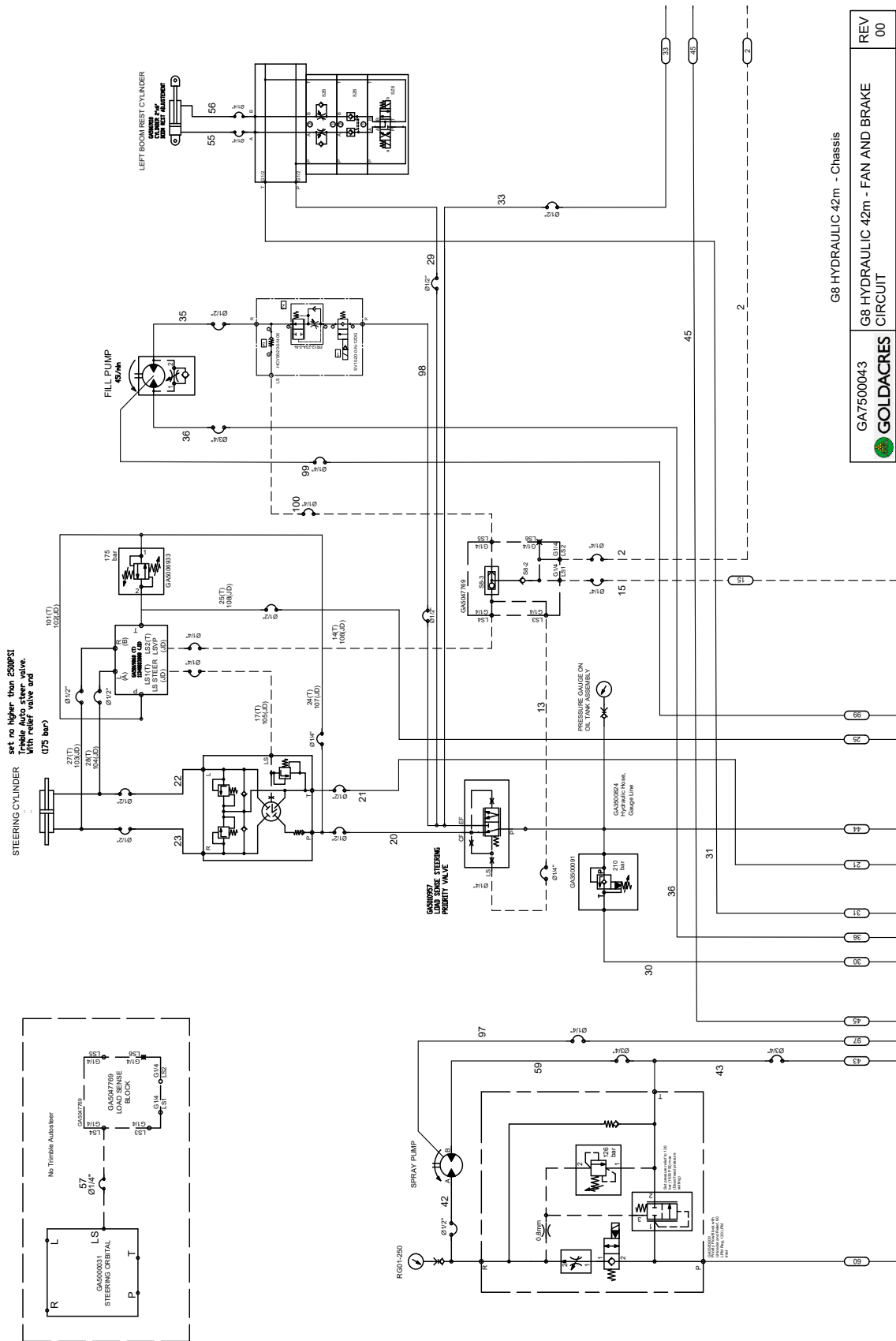


GA3000385
Valve, Hydraulic, Raven XRT Ultraglidle, Load sense, 334-0235-002

G8 HYDRAULIC 36m - Raven XRT

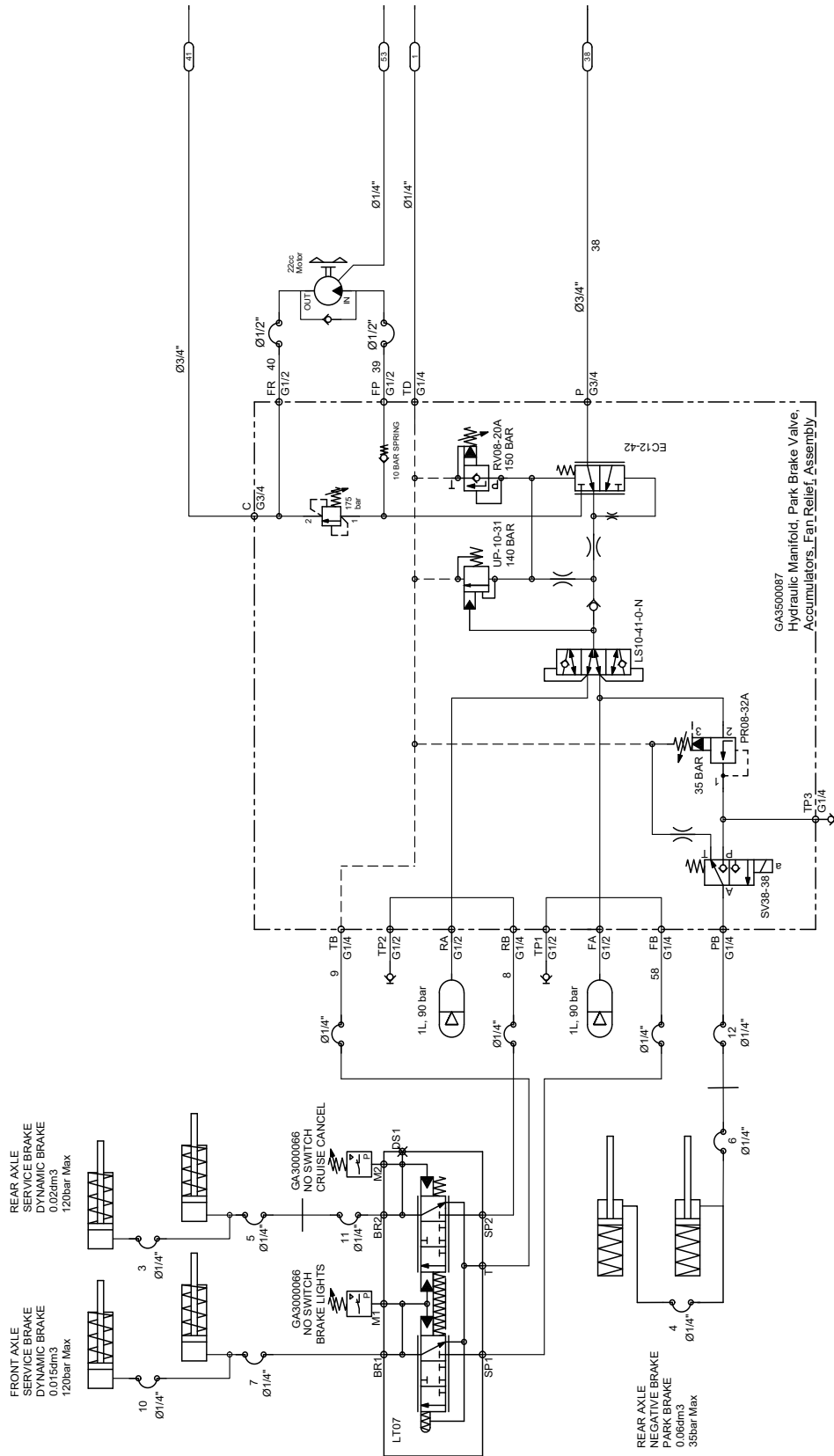
	GAY500042	REV 01
	G8 HYDRAULIC 36m - BOOM	

Hydraulics - Chassis - 42mt



GA7500043	GOLDACRES	G8 HYDRAULIC 42m - Chassis	REV 00
-----------	-----------	----------------------------	--------

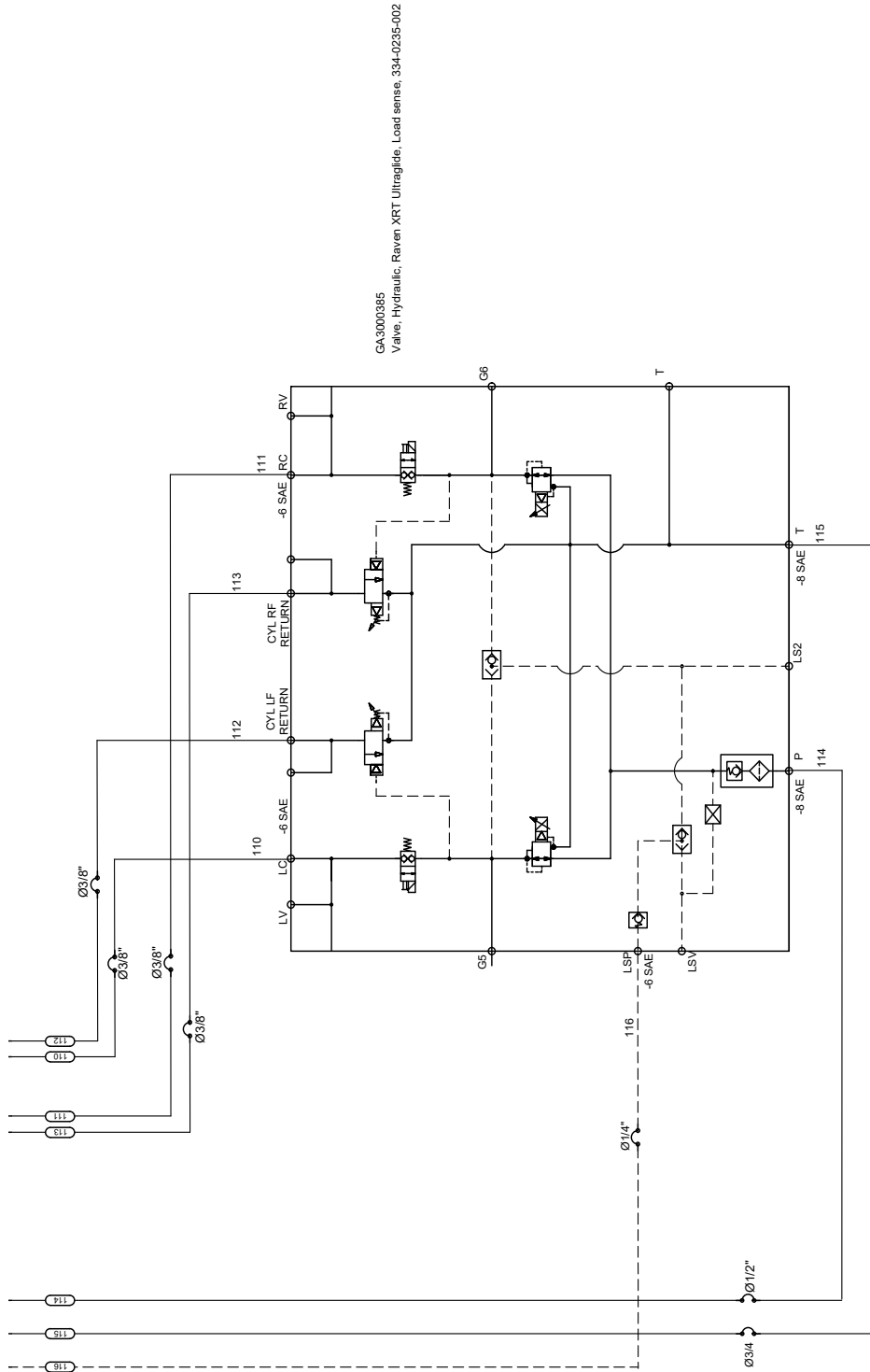
Hydraulics - Fan & Brake Circuit - 42mt



G8 HYDRAULIC 42m - Fan and Brake Circuit

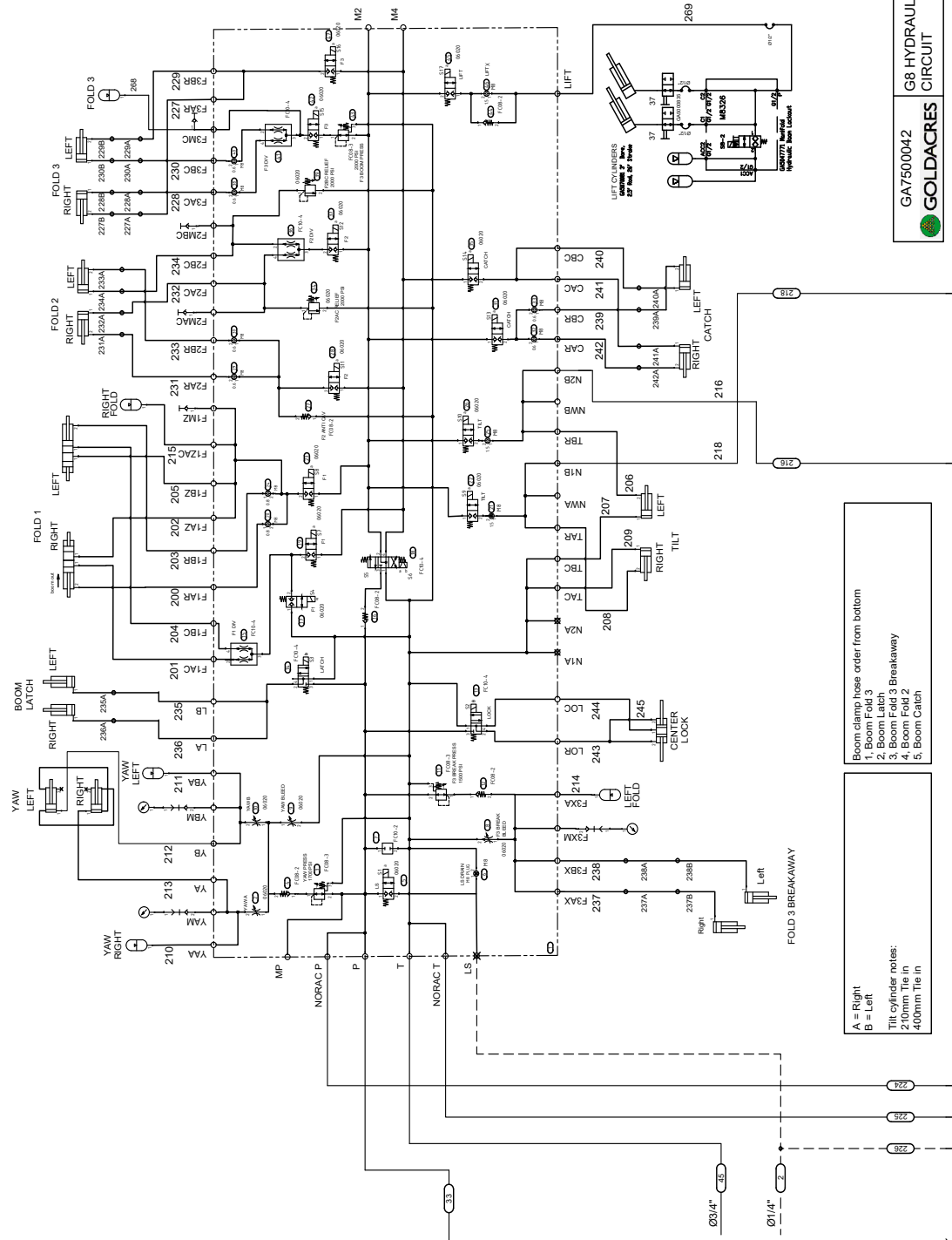
GA7500043	GOLDACRES	REV 00
G8 HYDRAULIC 42m - FAN AND BRAKE CIRCUIT		

Hydraulics - Raven XRT - 42mt



G8 HYDRAULIC 42m - Raven XRT
GAT500043
GOLDACRES
G8 HYDRAULIC 42m - FAN AND BRAKE CIRCUIT
REV 00

Hydraulics - Booms - 48mt



A = Right
B = Left

Tilt cylinder sizes:
210mm Tie in
210mm Tie in
400mm Tie in

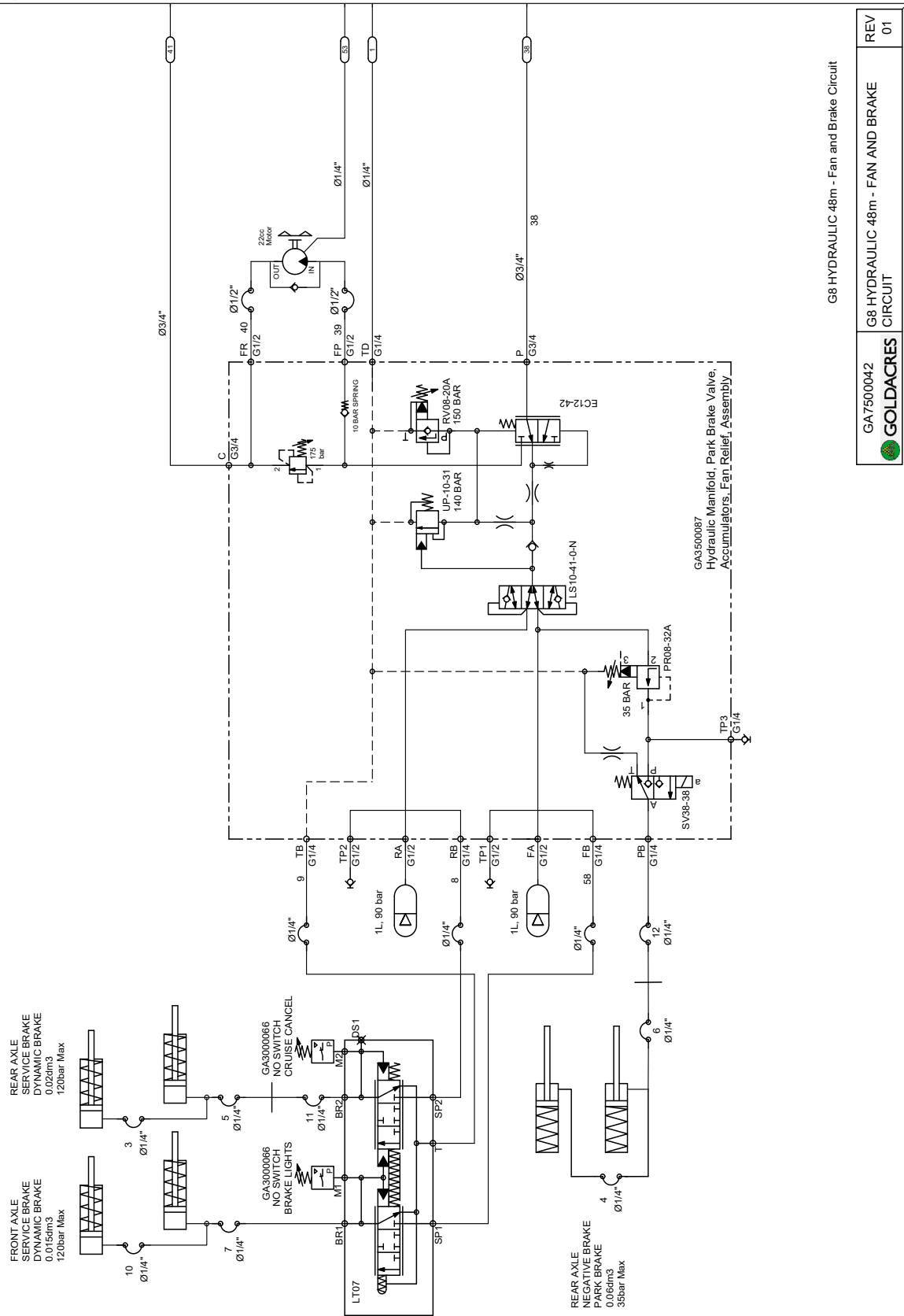
Boom clamp hose order from bottom
1. Boom Fold 3
2. Boom Latch
3. Boom Fold 2
4. Boom Fold 1
5. Boom Catch

G8 HYDRAULIC 48m - Boom

GAT500042

 G8 HYDRAULIC 48m - FAN AND BRAKE
 CIRCUIT
 REV 01

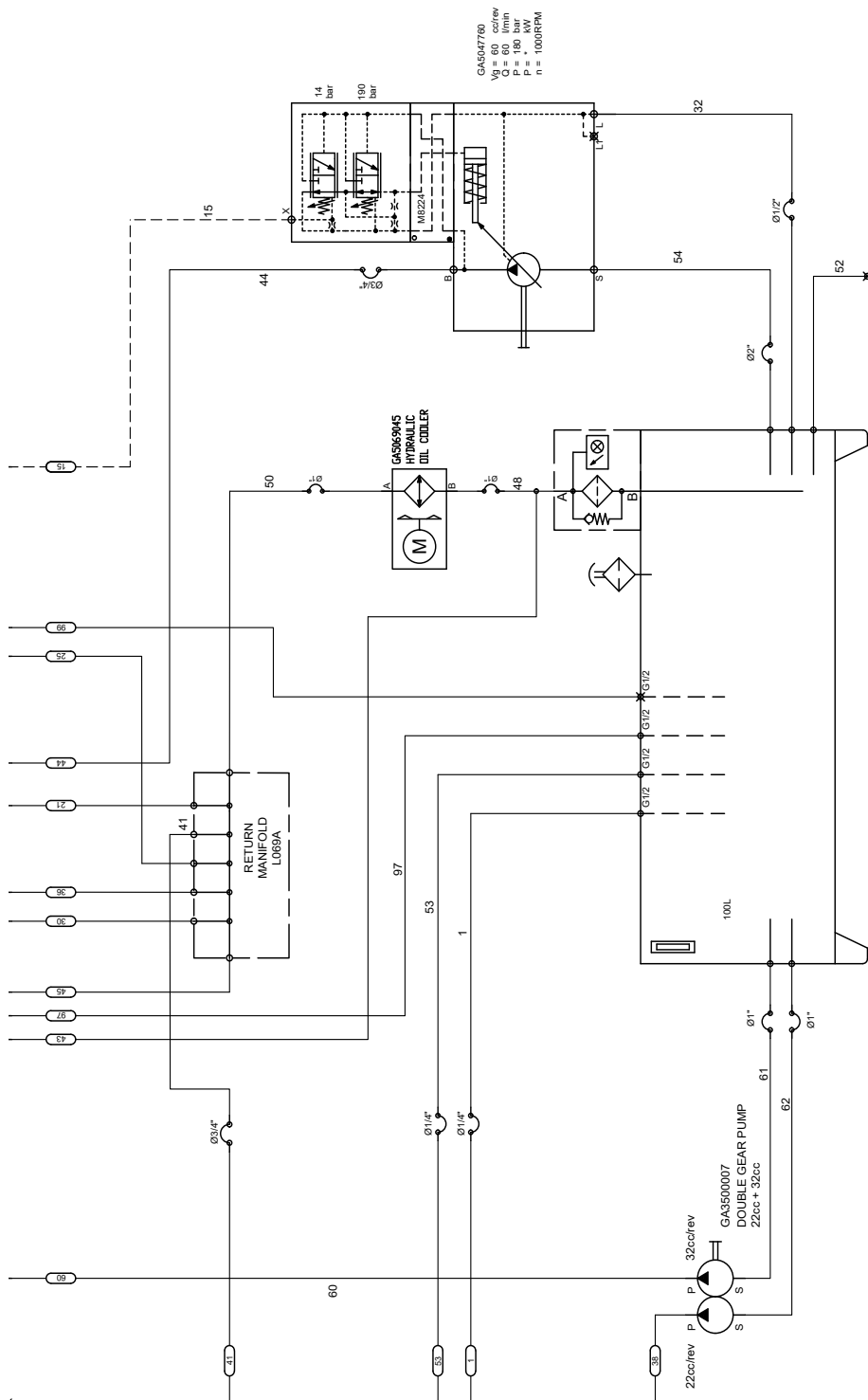
Hydraulics - Fan & Brake Circuit - 48mt



G8 HYDRAULIC 48m - Fan and Brake Circuit

GA7500042	G8 HYDRAULIC 48m - FAN AND BRAKE CIRCUIT	REV 01
-----------	--	--------

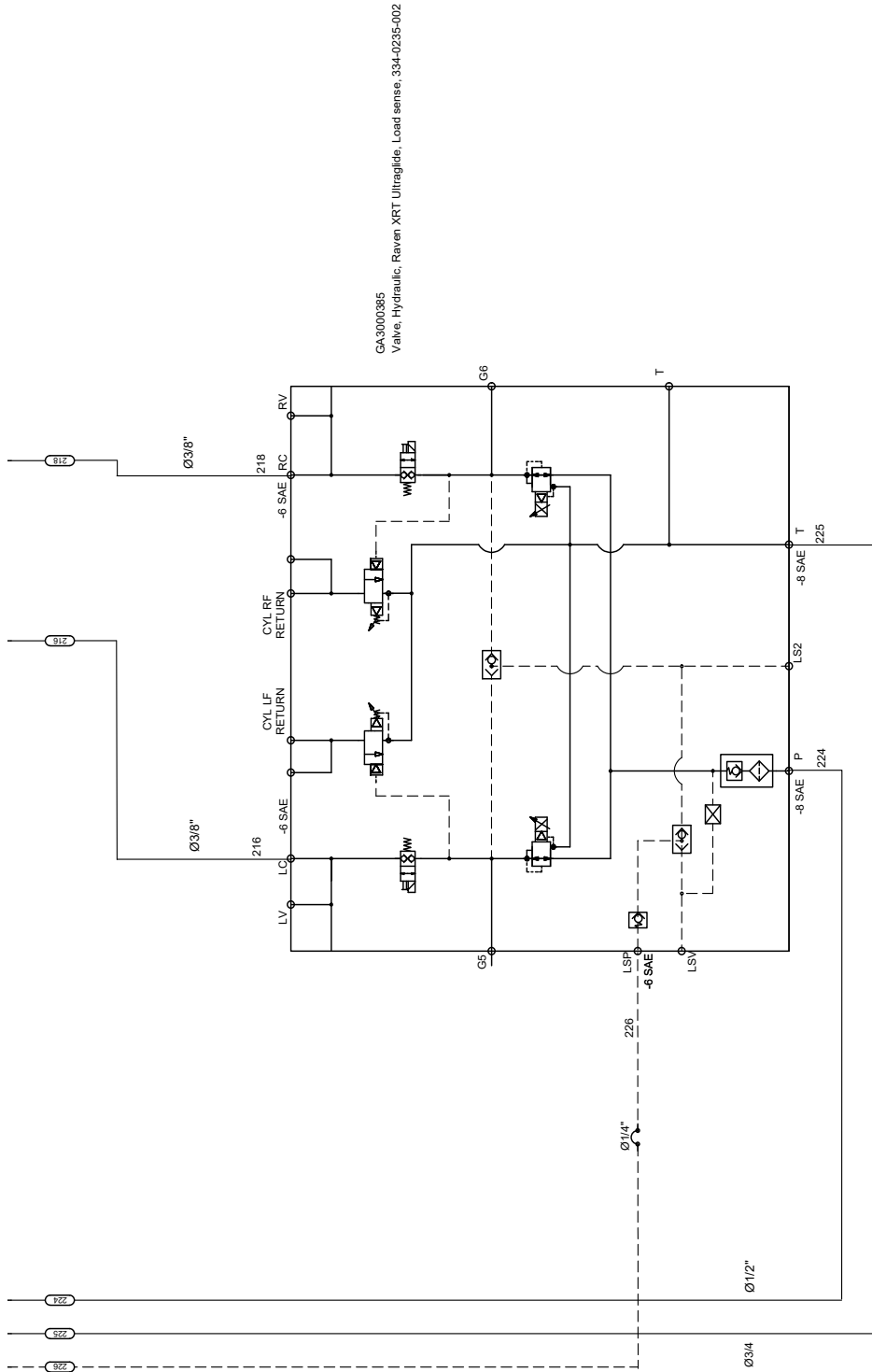
Hydraulics - Oil Tank & Pumps - 48mt



G8 HYDRAULIC 48m - Oil Tank and Pumps

GAT500042	G8 HYDRAULIC 48m - FAN AND BRAKE CIRCUIT	REV 01

Hydraulics - Raven XRT - 48mt



G8 HYDRAULIC 48m - Raven XRT

GAY500042

G8 HYDRAULIC 48m - FAN AND BRAKE
CIRCUIT

REV
01



Hydraulics - Hose List

HOSE NO.	PART NUMBER	HOSE SIZE	LENGTH	END FITTING 1	END FITTING 2	DESCRIPTION	QTY.
1	GA3501317	1/4" Black	1040mm	T205-0404	T202-0404	Brake/Fan Manifold Port TD to Tee Hydraulic Tank Drain	1
2	GA3501318	1/4" Black	8130mm	T202-0404	T202-0404	Rear Hydraulic Manifold to Load Sense Manifold LS2	1
3	GA3501319	1/4" Black	935mm	T205-0404	T202-0404	Rear Brake Crossover Hose	1
4	GA3501320	1/4" Black	960mm	T205-0404	T202-0404	Park Brake Crossover Hose	1
5	GA3501321	1/4" Black	2800mm	T205-0404	T202-0404	Rear Axle Rear Brake to Chassis Bulkhead fitting	1
6	GA3501322	1/4" Black	2825mm	T205-0404	T202-0404	Rear Axle Park Brake to Chassis Bulkhead fitting	1
7	GA3501323	1/4" Black	2600mm	T205-0404	T202-0404	Brake Pedal Valve Port BR1 to TEE on Front Axle	1
8	GA3501324	1/4" Black	600mm	T202-0404	T202-0404	Brake Pedal Valve Port SP2 to Brake Accumulator Charger Port RB	1
9	GA3501325	1/4" Black	700mm	T202-0404	T202-0404	Brake Pedal Valve Port T to Brake/Fan Manifold Port TB	1
10	GA3501326	1/4" Black	875mm	T205-0404	T202-0404	Front Brake Crossover Hose on Front Axle	1
11	GA3501327	1/4" Black	5240mm	T202-0404	T202-0404	Brake Pedal Valve Port BR2 to Rear Chassis Bulkhead Fitting Top Inside	1
12	GA3501328	1/4" Black	4625mm	T205-0404	T202-0404	Brake/Fan Manifold Port PB to Rear Chassis Bulkhead Fitting (Park Brake) Bottom Inside	1
13	GA3501329	1/4" Black	800mm	T205-0404	T202-0404	Priority Valve Port LS to Load Sense Manifold LS3	1
14	GA3501330	1/4" Black	960mm	T204-0409	T202-0404	Trimble Port LS2 to Load Sense Manifold LS4	1
15	GA3501331	1/4" Black	2100mm	T202-0404	T202-0404	Hydraulic Piston Pump Load Sense to Load Sense Manifold Port LS1	1
17	GA3501332	1/4" Black	1700mm	T204-0409	T202-0404	Steering Orbital Load Sense to Trimble Port LS1	1
18	GA3501333	1/4" Black	10950mm	T202-0404	T202-0404	42m Boom Bifold Cylinders	4
18A	GA3501334	1/4" Black	9470mm	T202-0404	T202-0404	36m Boom Bifold Cylinders	4
19	GA3501256	1/4" Black	400mm	T205-0404	T202-0404	Bifold Cylinder Rod End to Check Valve	2
53	GA3501370	1/4" Black	570mm	T226-0404	T202-0404	Fan Motor Relief to TEE on Oil Tank Drain Bulkhead	1
55	GA3501371	1/4" Black	1240mm	T205-0404	T202-0404	Boom Rest / Fill Pump Manifold Port A2 to Boom Rest Cylinder Base End	1

Continued over page

Hydraulics - Hose List

HOSE NO.	PART NUMBER	HOSE SIZE	LENGTH	END FITTING 1	END FITTING 2	DESCRIPTION	QTY.
56	GA3501372	1/4" Black	1475mm	T205-0404	T202-0404	Boom Rest / Fill Pump Manifold Port B2 to Boom Rest Cylinder Rod End	1
57	GA3501204	1/4" Black	1640mm	T205-0404	T202-0404	Steering Orbital Load Sense to Load Sense Manifold Port LS4 (NO AUTO STEER)	1
58	GA3501373	1/4" Black	600mm	T202-0404	T202-0404	Brake Pedal Valve Port SPI to Brake Accumulator Charger Port FB	1
20	GA3501335	1/2" Black	480mm	T205-0808	T202-0808	Priority Valve Port CF to TEE on Steering Orbital Port P	1
21	GA3501336	1/2" Black	1160mm	T205-0808	T202-0808	Steering Orbital Port T to Return Manifold	1
22	GA3501337	1/2" Black	2000mm	T202-0808	T202-0808	Steering Orbital Port L to Steering Cylinder	1
23	GA3501338	1/2" Black	2140mm	T202-0808	T202-0808	Steering Orbital Port R to Steering Cylinder	1
24	GA3501339	1/2" Black	1200mm	T202-0808	T202-0808	Steering Orbital TEE on Port P to Pressure Relief Valve Port ? (With Trimble Auto Steer)	1
25	GA3501340	1/2" Black	700mm	T205-0808	T202-0808	Trimble Port T to Return Manifold	1
26		1/2" Black	1200mm	T205-0808	T202-0808	Trimble Port P to Relief Manifold Port ?	1
27	GA3501341	1/2" Black	1480mm	T205-0808	T202-0808	Steering Orbital Port R to Trimble Port B	1
28	GA3501339	1/2" Black	1520mm	T205-0808	T202-0808	Steering Orbital Port L to Trimble Port A	1
29	GA3501343	1/2" Black	500mm	T205-0808	T202-0808	Priority Valve Tee Port EF to Boom Rest / Fill Pump Manifold Port PI	1
30	GA3501344	1/2" Black	1050mm	T205-0808	T202-0808	Priority Valve and Hydraulic Pressure Relief Manifold Port T to Return Manifold	1
31	GA3501345	1/2" Black	440mm	T205-0808	T202-0808	Boom Rest / Fill Pump Manifold Port T to Return Manifold	1
32	GA3501346	1/2" Black	1260mm	T205-0808	T202-0808	Hydraulic Piston Pump Case Drain TEE to Oil Tank Drain TEE	1
33	GA3501347	1/2" Black	7820mm	T202-808	T202-0808	Priority Valve Port EF TEE to Rear Hydraulic Manifold Port P	1
34	GA3501348	1/2" Black	3150mm	T227-0808	T202-0808	Boom Lockout Manifold Port P to Rear Hydraulic Manifold Port LI	1
35	GA3501349	1/2" Black	1410mm	T205-0808	T202-0808	Boom Rest / Fill Pump Manifold Port A3 to Fill Pump Port A	1
36	GA3501350	1/2" Black	1270mm	T205-0808	T202-0808	Boom Rest / Fill Pump Manifold Port B3 to Fill Pump Port B	1

Continued over page

Hydraulics - Hose List

HOSE NO.	PART NUMBER	HOSE SIZE	LENGTH	END FITTING 1	END FITTING 2	DESCRIPTION	QTY.
37	GA3501351	1/2" Black	1600mm	T202-0808	T202-0808	Boom Lockout Manifold to Paralift Cylinder	2
38	GA3501352	1/2" Black	2680mm	T226-0808	T202-0808	22 cc Gear Pump Pressure to Brake/Fan Manifold Port P	1
39	GA3501353	1/2" Black	2850mm	T205-0808	T202-0808	Brake/Fan Manifold Port FP to Fan Motor Pressure	1
40	GA3501354	1/2" Black	2750mm	T205-0808	T202-0808	Brake/Fan Manifold Port FR to Fan Motor Return	1
42		1/2" Black	2760mm	T205-0808	T205-0808	Pump Speed control Port REG to 80cc Hydraulic spray pump motor	1
51	GA4908095	1/2" Black	555mm	T205-0808	T202-0808	Hydraulic, Hose, Assembly, Sump Drain, Engine	1
52	GA3501369	1/2" Black	2050mm	T227-0808	T202-0808	Hydraulic Oil Tank Drain	1
41	GA3501355	3/4" Black	560mm	T205-1212	T202-1212	Brake/Fan Manifold Port RM to Return Manifold	1
43	GA3501358	3/4" Black	3200mm	T205-1212	T202-1212	Pump Speed Control Manifold Port T TEE to Return Filter	1
44		3/4" Black	930mm	T717-1216	T202-1212	Hydraulic Piston Pump to Priority Valve Pressure	1
45		3/4" Black	7570mm	T202-1212	T202-1212	Rear Hydraulic Manifold Port T to Return Manifold	1
59		3/4" Black	2670mm	T205-1212	T202-1212	Pump Speed Control Manifold Port T TEE to 80cc Hydraulic spray pump motor	1
60	GA3501376	3/4" Black	2960mm	T226-1212	T202-1212	32 cc Gear Pump Pressure to Pump Speed Control Manifold Port P	1
46		1" Black	2180mm	T202-1616	T227-1616	Transmission To Combi Cooler LH	1
47	GA3501366	1" Black	2000mm	T202-1616	T227-1616	Transmission To Combi Cooler RH	1
48	GA3501367	1" Black	2540mm	T202-1616	T227-1616	Hydraulic Oil Cooler to Return Filter	1
50	GA3501368	1" Black	710mm	T205-1616	T202-1616	Return Manifold to Hydraulic Oil Cooler	1
61	GA3501377	1" Black	565mm	T205-1616	T205-1616	22cc Gear Pump suction to Oil tank front Port	1
62	GA3501378	1" Black	575mm	T205-1616	T205-1616	32cc Gear Pump suction to Oil tank Middle Port	1
54	GA3500156	2" Black	800mm	2" BSPP 90	2" Code 61 90	Pump Suction Hose	1
64	GA5067131	1/4" Black	300mm	T202-0404	T202-0404	Double Pilot Check Valve Link Hose	2
65	GA3500016	1/4" Black	705mm	T205-0404	T202-0404	Spool Port A to Double Pilot Check Valve Port V1	1
66	GA3500017	1/4" Black	735mm	T205-0404	T202-0404	Spool Port B to Double Pilot Check Valve Port V2	1

Continued over page

Hydraulics - Hose List

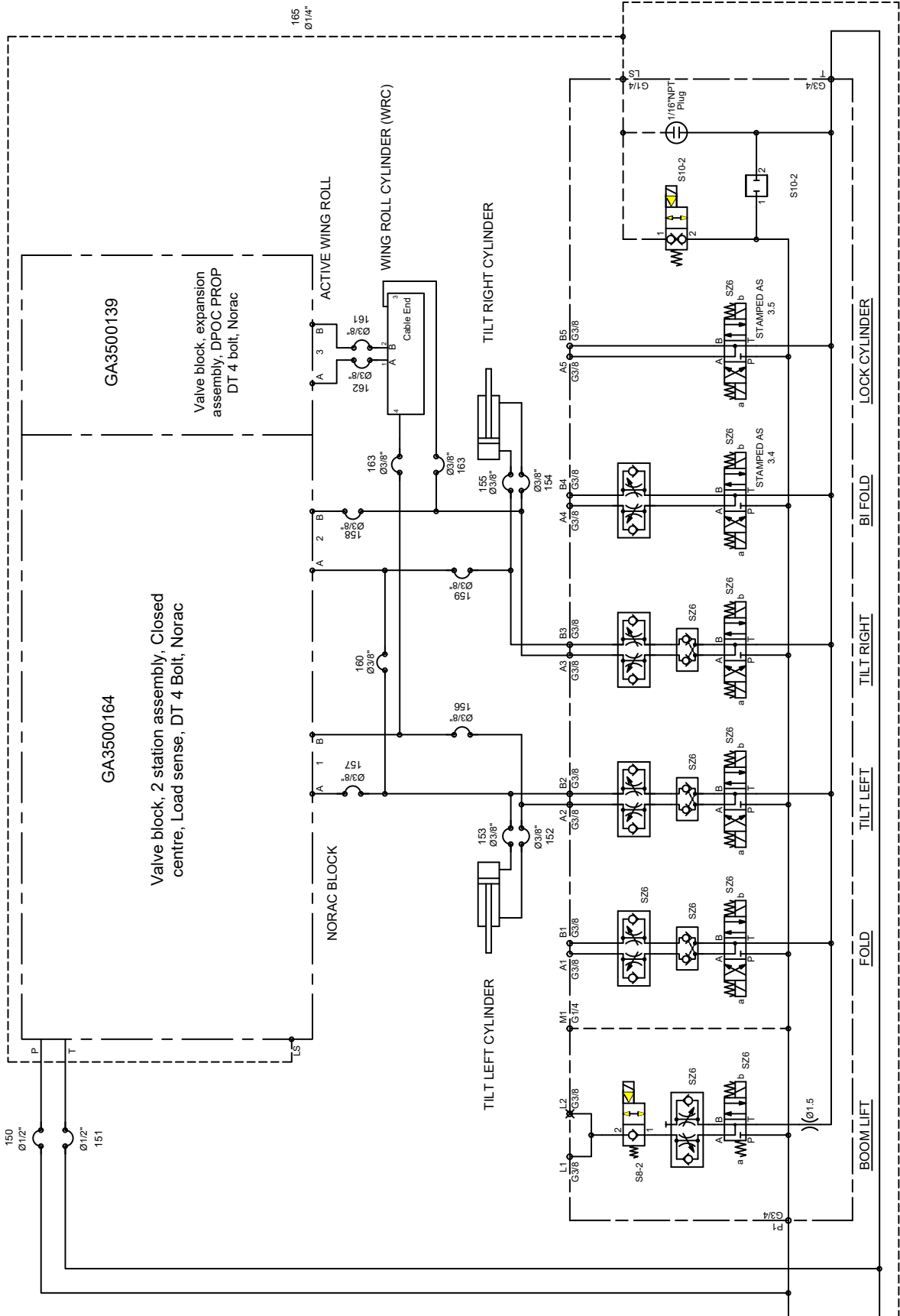
HOSE NO.	PART NUMBER	HOSE SIZE	LENGTH	END FITTING 1	END FITTING 2	DESCRIPTION	QTY.
67	GA3501379	1/4" Black	330mm	T205-0404	T205-0404	Double Pilot Check Valve Port C2 to Main Fold Flow Divider Port 3	1
68	GA3501380	1/4" Black	2040mm	T205-0404	T202-0404	Double Pilot Check Valve Port C1 to LH Inside Cylinder Base End	1
69	GA3501381	1/4" Black	2225mm	T205-0404	T202-0404	Double Pilot Check Valve Port C1 to RH Inside Cylinder Base End	1
70	GA3501382	1/4" Black	2960mm	T205-0404	T202-0404	Double Pilot Check Valve Port C2 to LH Inside Cylinder Rod End	1
71	GA3501383	1/4" Black	2640mm	T205-0404	T202-0404	Double Pilot Check Valve Port C2 to RH Inside Cylinder Rod End	1
72	GA3501384	1/4" Black	3525mm	T205-0404	T202-0404	Double Pilot Check Valve Port C1 to RH Outside Cylinder Rod End	1
73	GA3501385	1/4" Black	3345mm	T205-0404	T202-0404	Double Pilot Check Valve Port C1 to LH Outside Cylinder Rod End	1
74	GA3501386	1/4" Black	2880mm	T202-0404	T202-0404	Main Fold Flow Divider Port 4 to LH Outside Cylinder Base End	1
75	GA3501387	1/4" Black	2925mm	T202-0404	T202-0404	Main Fold Flow Divider Port 2 to RH Outside Cylinder Base End	1
44		1/4" Black	3425mm	T205-0404	T202-0404	Spool Block A, Right Fold Cylinder Rod End	1
45		1/4" Black	3725mm	T205-0404	T202-0404	Spool Block A, Left Fold Cylinder Rod End	1
46		1/4" Black	2870mm	T202-0404	T202-0404	Flow Divider 2, Right Fold Cylinder Base End	1
167		1/4" Black	2885mm	T202-0404	T202-0404	Flow Divider 4, Left Fold Cylinder Base End	1
168		1/4" Black	440mm	T202-0404	T202-0404	Spool Block B , Flow Divider 3, Fold Cylinder	1
76	GA3501388	1/4" Black	720mm	T205-0404	T202-0404	Spool Port B to Tee for Bifold	1
77	GA3501389	1/4" Black	470mm	T227-0404	T202-0404	Spool Port A to Bifold Flow Divider Port 3	1
78	GA3500447	3/8" Black	1480mm	T207-0609	T204-0609	Spool Port A to LH Tilt Cylinder Rod End	1
79	GA3500448	3/8" Black	1140mm	T204-0609	T204-0609	Spool Port B to LH Tilt Cylinder Base End	1
80	GA3500449	3/8" Black	1400mm	T207-0609	T204-0609	Spool Port A to RH Tilt Cylinder Rod End	1

Continued over page

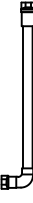

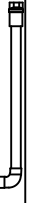

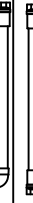


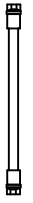





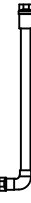


Hydraulics - Hose List

HOSE NO.	PART NUMBER	HOSE SIZE	LENGTH	END FITTING 1	END FITTING 2	DESCRIPTION	QTY.
81	GA3500450	3/8" Black	1030mm	T204-0609	T204-0609	Spool Port B to RH Tilt Cylinder Base End	1
82	GA5067285	1/4" Black	1500mm	T227-0404	T202-0404	Pressure Reducing Valve to Yaw Ball Valve Assembly	1
83	GA5067133	1/4" Black	555mm	T227-0404	T202-0404	Yaw Ball Valve Assembly to LH Yaw Cylinder Rod End	1
84	GA5067134	1/4" Black	785mm	T227-0404	T202-0404	Yaw Ball Valve Assembly to LH Yaw Cylinder Base End	1
85	GA5067132	1/4" Black	1680mm	T205-0404	T202-0404	Yaw Cylinder Crossover LH Base to RH Rod	1
86	GA4903200	1/4" Black	1680mm	T205-0404	T202-0404	Yaw Cylinder Crossover LH Rod to RH Base	1
87	GA5067136	1/2" Black	1140mm	T205-0808	T202-0808	Yaw Cylinder to LH Accumulator	1
88	GA5067137	1/2" Black	560mm	T205-0808	T202-0808	Yaw Cylinder to RH Accumulator	1
89	GA3500115	1/2" Black	830mm	T205-0808	T202-0808	Pressure from Spool Block Tee to Yaw Pressure Reducing Valve STD	1
89a		1/2" Black	780mm	T205-0808	T202-0808	Pressure from Spool Block Tee to Yaw Pressure Reducing Valve Norac	1
90	GA3500116	1/2" Black	720mm	T205-0808	T202-0808	Yaw Pressure Reducing Valve to Tee on Spool Block Tank Line	1
92	GA3500570	1/4" Black	1170mm	T205-0404	T202-0404	Spool block A cylinder centre port	1
93	GA4905082	1/4" Black	1250mm	T202-0404	T202-0404	Spool block B cylinder rod end	1
94	GA3500571	1/4" Black	225mm	T205-0404	T202-0404	Hose link	1

Norac - Active Wing Roll



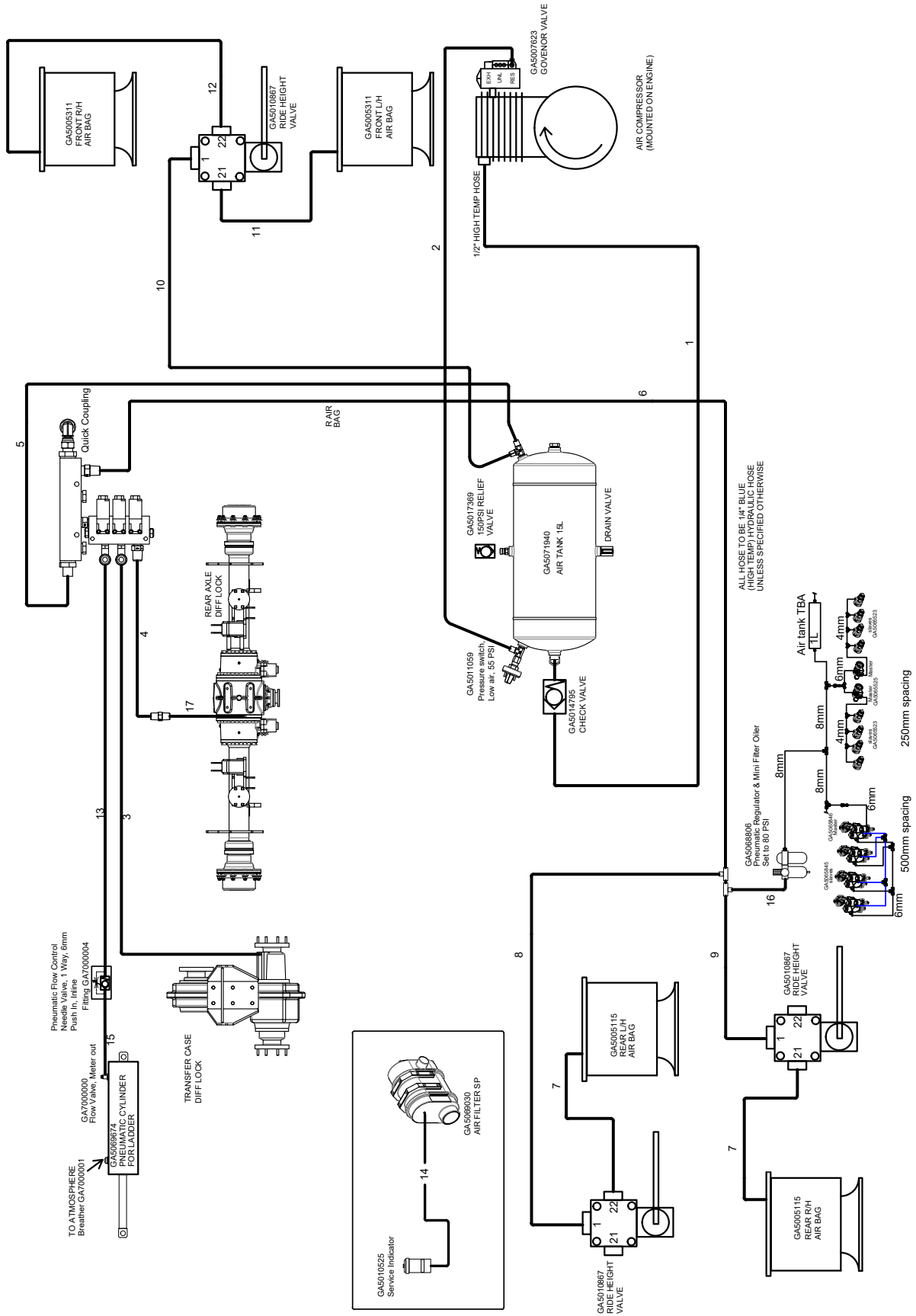
Norac - Active Wing Roll - Hose List

NORAC	HOSE SIZE	HOSE LENGTH	DESCRIPTION	ORIENTATION	QTY	Hose P/No.	TIE
150	1/2" HOSE	370mm	Pressure to Norac block		1	GA3500445	IR
151	1/2" HOSE	1010mm	Tank to Norac block		1	GA3500446	2R
152	3/8" HOSE	1480mm	Tilt cylinder LH rod end		1	GA3500447	1Y
153	3/8" HOSE	1140mm	Tilt cylinder LH base end		1	GA3500448	2Y
154	3/8" HOSE	1400mm	Tilt cylinder RH rod end		1	GA3500449	1B
155	3/8" HOSE	1030mm	Tilt cylinder RH base end		1	GA3500450	2B
156	3/8" HOSE	1300mm	Norac block (1B) to Spool Block LH A		1	GA3500451	1B+1R
157	3/8" HOSE	1350mm	Norac block (1A) to Spool Block LH B		1	GA3500452	1B+2R
158	3/8" HOSE	1420mm	Norac block (2B) to Spool Block RH A		1	GA3500453	1Y+1R
159	3/8" HOSE	1455mm	Norac block (2A) to Spool Block RH B		1	GA3500454	1Y+2R
160	3/8" HOSE	280mm	Tilt cylinder base link		1	GA3500455	1B+2R
161	3/8" HOSE	1330mm	Norac block (3B) to top of WRC 2		1	GA3500456	1Y+1B
162	3/8" HOSE	1370mm	Norac block (3A) to top of WRC 1		1	GA3500457	1Y+2B
163	3/8" HOSE	800mm	Left end WRC to Left A		1	GA3500458	2Y+1B
164	3/8" HOSE	855mm	Right end WRC to Right A		1	GA3500594	2Y+2B
165	1/4" HOSE	1110mm	Rear Hydraulic Manifold to Norac Load Sense Manifold		1	GA3500460	

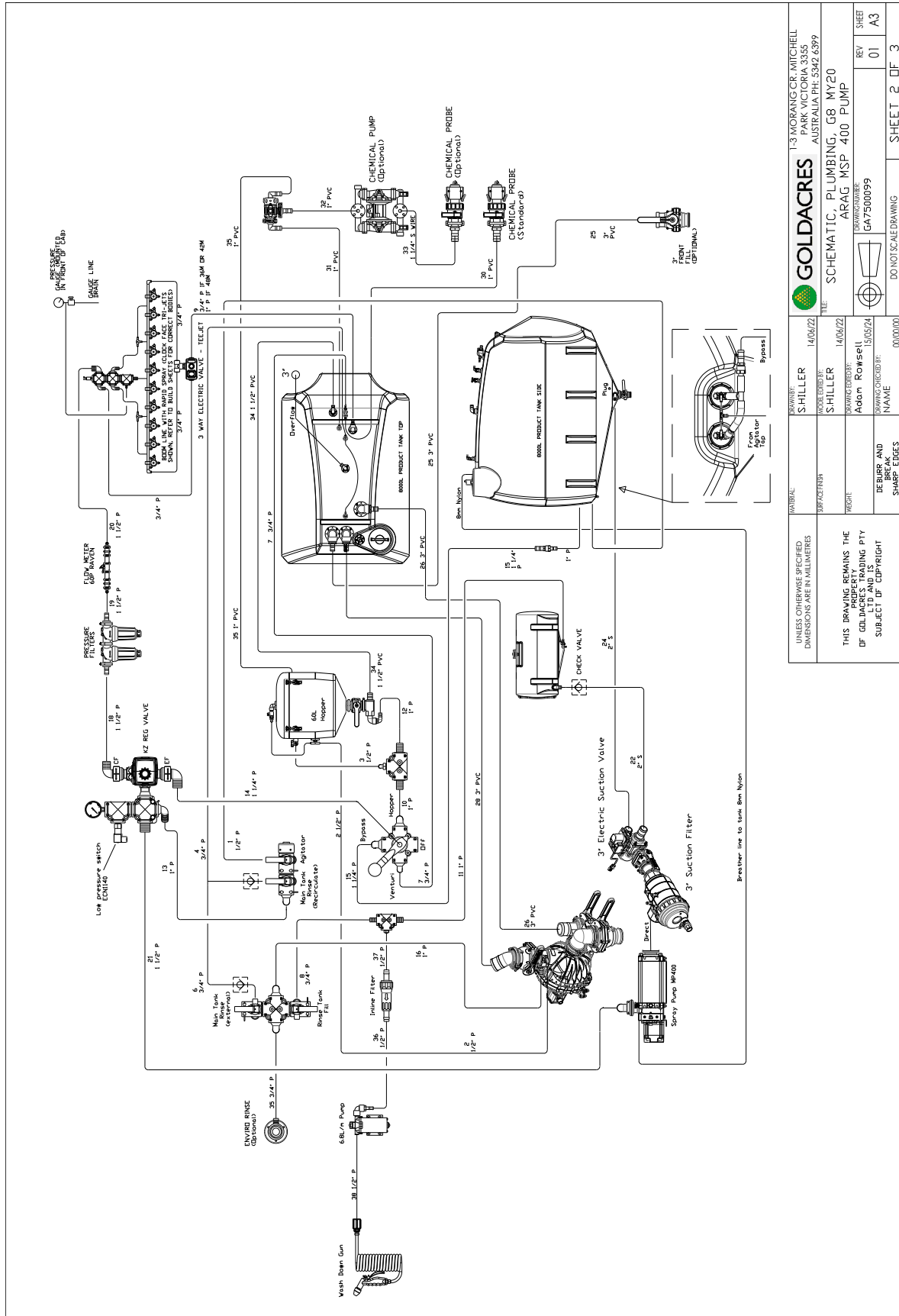
Norac - Passive Wing Roll - Hose List

NORAC	HOSE SIZE	HOSE LENGTH	DESCRIPTION	ORIENTATION	QTY	Hose P/No.	TIE
150	1/2" HOSE	370mm	Pressure to Norac block		1	GA3500445.	IR
151	1/2" HOSE	1010mm	Tank to Norac block		1	GA3500446	2R
152	3/8" HOSE	1480mm	Tilt cylinder LH rod end		1	GA3500447	1Y
153	3/8" HOSE	1140mm	Tilt cylinder LH base end		1	GA3500448.	2Y
154	3/8" HOSE	1400mm	Tilt cylinder RH rod end		1	GA3500449	1B
155	3/8" HOSE	1030mm	Tilt cylinder RH base end		1	GA3500450	2B
156	3/8" HOSE	1300mm	Norac block (1B) to Spool Block LH A		1	GA3500451	1B+1R
157	3/8" HOSE	1350mm	Norac block (1A) to Spool Block LH B		1	GA3500452	1B+2R
158	3/8" HOSE	1420mm	Norac block (2B) to Spool Block RH A		1	GA3500453	1Y+1R
159	3/8" HOSE	1455mm	Norac block (2A) to Spool Block RH B		1	GA3500454	1Y+2R
165	1/4" HOSE	1110mm	Rear Hydraulic Manifold to Norac Load Sense Manifold		1	GA3500460	

Pneumatics - Schematic



Plumbing Schematic - Arag MSP400 Pump



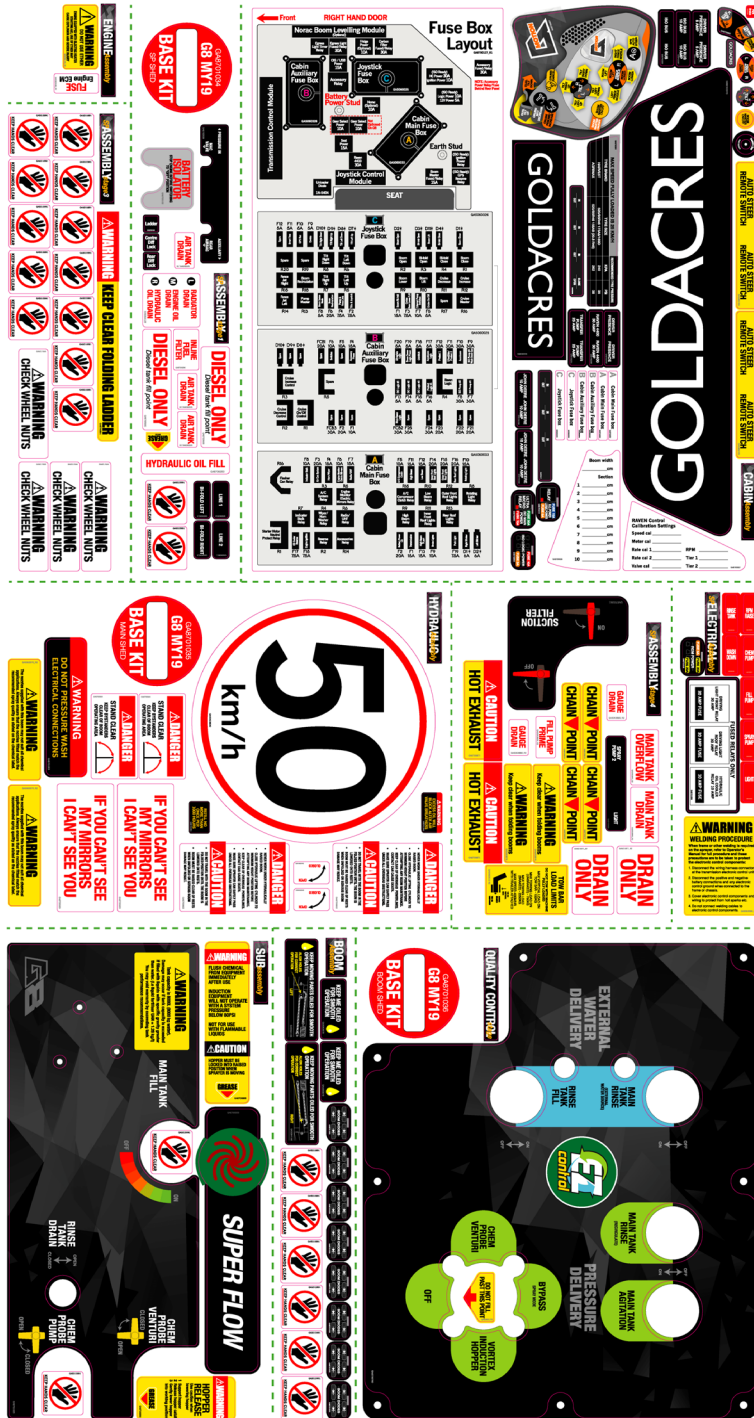
Plumbing - Hose List

HOSE NO.	HOSE SIZE	DESCRIPTION	LENGTH(mm)
1	1/2" Pressure	Manifold to Agitator	1500
2	1/2" Pressure	Hopper Rinse	5500
3	1/2" Pressure	Tee to Hopper	6000
4	3/4" Pressure	Manifold to Rinse Nozzles	7000
5	3/4" Pressure	Between Rinse Nozzles	1900
6	3/4" Pressure	Between Tank Rinse Check Valves	130
7	3/4" Pressure	Rotary Manifold to Venturi	6500
8	3/4" Pressure	Fresh Water Fill to Altek Cross	120
9	3/4" Pressure	Boom Recirc Valve To Tank	5300
10	1" Pressure	Rotary Valve to Hopper Tee	120
11	1" Pressure	Altek Cross to Rinse Tank	3000
12	1" Pressure	Hopper to Pod	4800
13	1" Pressure	Regulator Cross to Small Manifold	3200
14	1 1/4" Pressure	EF Port to Back of Rotary Valve	3100
15	1 1/4" Pressure	Rotary Valve to Agitator	1500
16	1" Pressure	Fill Manifold to Fill Tee	1000
17	1 1/4" Pressure	Relief Valve to Tank	1000
18	1 1/2" Pressure	Regulator Valve CF to Filters	1100
19	1 1/2" Pressure	Filters to Flow Meter	5400
20	1 1/2" Pressure	Flow Meter to Boom	1300
21	1 1/2" Pressure	Pump Delivery	2500
22	2" Suction	Rinse Tank to 3 Way Valve	1150
23	2' Suction	Pump to Suction Filter	170
24	2' Suction	Main Tank to 3 Way Valve	2000
25	3" PVC	3" Front Fill (Optional)	4800
26	3" PVC	3" Direct Side FILL (Optional)	3000
27	3" PVC	Tank Overflow (Tank Sub Assy)	4000
28	3" Suction	3" Fill Pump to Tank	3600
29	1" PVC	3 Way Valve to Hopper (Optional)	4000
30	1" PVC	Venturi to Chem Probe (Standard)	7300
31	1" PVC	3 Way Valve to Tank (Optional)	6200
32	1" PVC	Chem Pump to 3 Way Valve (Optional)	1120
33	1 1/4" Suction	Chem Pump to Chem Probe (Optional)	1120
34	1 1/2" PVC	Hopper to Tank (Standard)	5500
35	3/4" Pressure	Enviro Rinse to Rinse Manifold (Optional)	1300
36	1/2" Pressure	Inline Filter to Wash Down Pump	
37	1/2" Pressure	Fill Tee to Inline Filter	
38	1/2" Pressure	Wash Down Pump to Spray Nozzle	2600
39			

Chapter 17

DECALS

Decals - Base Kit



PART NUMBER	DESCRIPTION
GA8701034	DECAL, BASE KIT, GOLDACRES G8, MY19

Decals - Base Kit



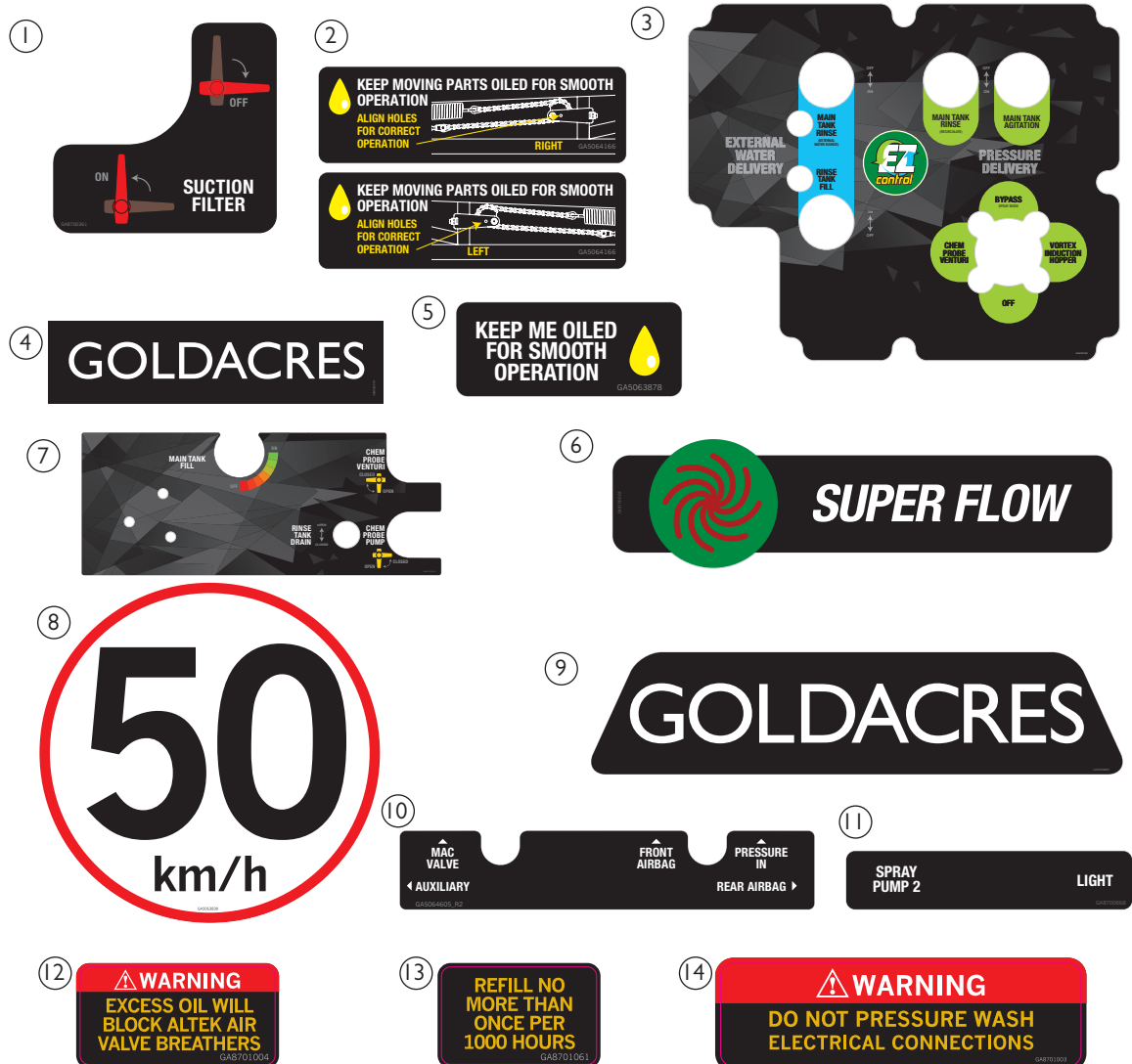
ITEM NO.	PART NUMBER	DESCRIPTION	QTY.
1	GA5063876	WARNING - KEEP CLEAR WHEN FOLDING BOOMS	2
2	GA5063995	WARNING - WELDING PROCEDURE	1
3	GA8700889	DECAL, INDUCTION HOPPER WARNING, ARM	1
4	GA8700871	CAUTION HOT EXHAUST	2
5	GA5065170	DO NOT FILL PAST THIS POINT	1
6	GA8700353	WARNING - TANK CAPACITY 8000L	1
7	GA8700670	CHAIN POINT	4
8	GA5064160	WARNING - DO NOT USE ETHER	1
9	GA5060510	TOW BAR LOAD LIMITS	1
10	GA8700890	DECAL, INDUCTION HOPPER WARNING, CATCH RELEASE, SP	1
11	GA5063370	WARNING NOZZLE	2
12	GA222	GREASE POINT	3
13	GA8700891	DECAL, PLATFORM LADDER WARNING	1

Decals - Base Kit



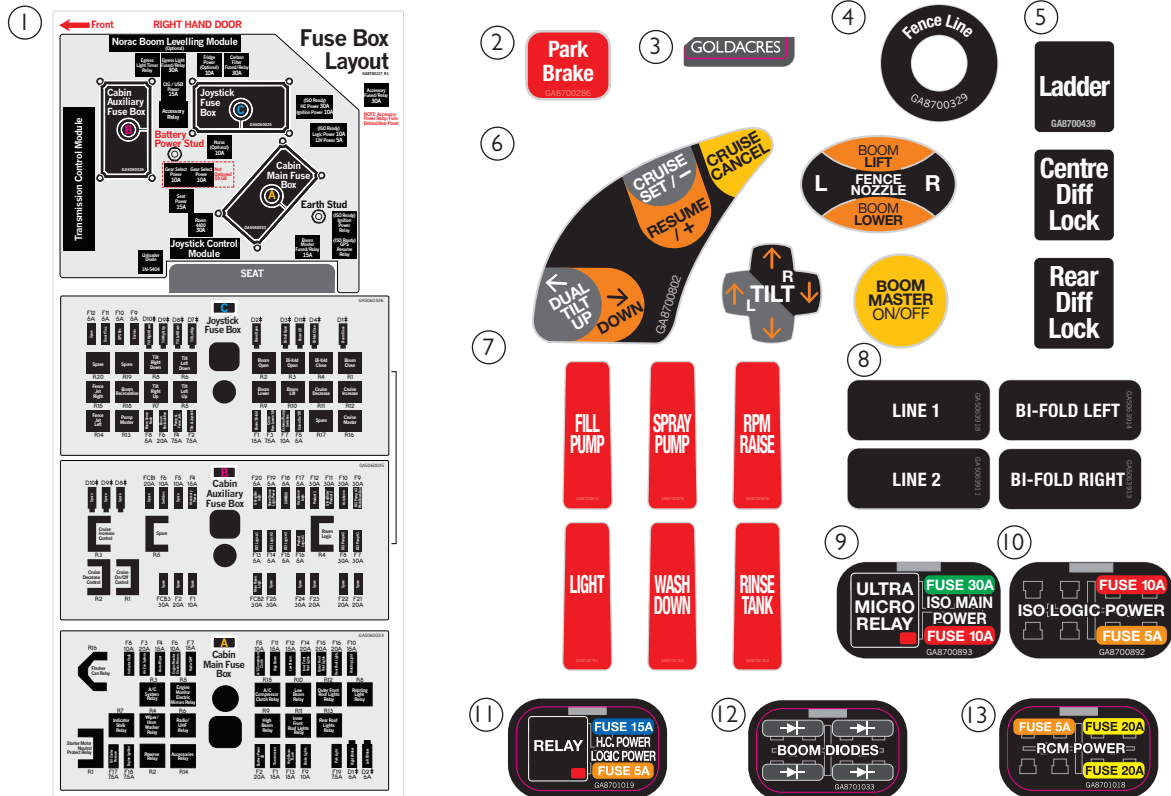
ITEM NO.	PART NUMBER	DESCRIPTION	QTY.
1	GA5064122	RADIATOR DRAIN / ENGINE OIL DRAIN / HYDRAULIC OIL DRAIN	1
2	GA5015971	DRAIN ONLY	2
3	GA8700665	DANGER / CAUTION	1
4	GA5063855	FILL PUMP PRIME	1
5	GA5063880	GAUGE DRAIN	2
6	GA5015991	KEEP HANDS CLEAR	24
7	GA8700102	BATTERY ISOLATOR	1
8	GA5063865	MAIN TANK OVERFLOW	1
9	GA8700296	INLINE FUEL FILTER	1
10	GA5063840	AIR TANK DRAIN	2
11	GA8700666	DIESEL ONLY	2
12	GA8700283	HYDRAULIC OIL FILL	1
13	GA5062490	FUSE - ENGINE ECM	1
14	GA8700664	DANGER - STAND CLEAR BOOM	2
15	GA8700669	IF YOU CAN'T SEE MY MIRRORS	2
16	GA5064500	OPEN / CLOSED	2
17	GA5017555	WARNING - CHECK WHEEL NUTS	4

Decals - Base Kit



ITEM NO.	PART NUMBER	DESCRIPTION	QTY.
1	GA8700361	SUCTION FILTER	1
2	GA5064166	3D BREAKAWAY ADJUSTMENT - LEFT / RIGHT	2
3	GA8700760	EZ CONTROL STATION - UPPER SECTION	1
4	GA5063895	GOLDACRES - CABIN EXTERIOR REAR	1
5	GA5063878	KEEP ME OILED	2
6	GA8700003	SUPER FLOW	1
7	GA8700759	EZ CONTROL STATION - LOWER SECTION	1
8	GA5068330	50 KM/H	1
9	GA5063885	GOLDACRES - CABIN EXTERIOR FRONT	1
10	GA5064605	PNEUMATIC MANIFOLD	1
11	GA8700668	SPRAY PUMP 2 / LIGHT	1
12	GA8701004	WARNING EXCESS OIL	1
13	GA8701061	REFILL NO MORE THAN ONCE PER 1000 HOURS	1
14	GA8701003	WARNING DO NOT PRESSURE WASH	1

Decals - Base Kit



ITEM NO.	PART NUMBER	DESCRIPTION	QTY.
1	GA8700127	FUSE BOX LAYOUT	1
2	GA8700286	PARK BRAKE	1
3	-	GOLDACRES	1
4	GA8700329	FENCE LINE LED	1
5	GA8700439	LADDER / CENTRE DIFF LOCK / REAR DIFF LOCK	1
6	GA8700802	DECAL KIT, G MOTION JOYSTICK	1
7	GA8700874	FILL PUMP	1
	GA8700875	SPRAY PUMP	1
	GA8700876	RPM RAISE	1
	GA8700877	CHEM PUMP	1
	GA8700761	LIGHT	1
	GA8700762	WASH DOWN	1
8	GA8700763	RINSE TANK	1
	GA5063918	LINE 1	1
	GA5063911	LINE 2	1
	GA5063914	BI-FOLD LEFT	1
GA5063913	BI-FOLD RIGHT	1	
9	GA8700893	ISO MAIN POWER	1
10	GA8700892	ISO LOGIC POWER	1
11	GA8701019	HC POWER & LOGIC POWER	1
12	GA8701033	BOOM DIODES	1
13	GA8701016	RCM POWER	1

Decals - Base Kit

- ① **JOHN DEERE JOHN DEERE**
10 AMP 10 AMP
GA8700288
- ② **DRIVER PRESENCE DRIVER PRESENCE**
GA8700292
- ③ **TRANSFER PUMP TRANSFER PUMP**
25 AMP 25 AMP
GA8700291
- ④ **DRIVER PRESENCE DRIVER PRESENCE**
5 AMP 5 AMP
GA8700289
- ⑤ **ISO BUS ISO BUS**
10 AMP 10 AMP
GA8700287
- ⑥ **ISO BUS ISO BUS**
GA8700293

⑦

G8 MAX SPEED FULLY LOADED IS 25 KM/H		RECOMMENDED TYRE PRESSURE	
TYRE BRAND	TYRE SIZE	KPA	PSI
HARVEST	520/85R46 173A8/169D	240	35

⑧ **AUTO STEER REMOTE SWITCH AUTO STEER REMOTE SWITCH**

⑨ IN OUT IN OUT IN OUT
GA8700417

⑩

Boom width

_____ cm

Section

1 _____ cm

2 _____ cm

3 _____ cm

4 _____ cm

5 _____ cm

6 _____ cm

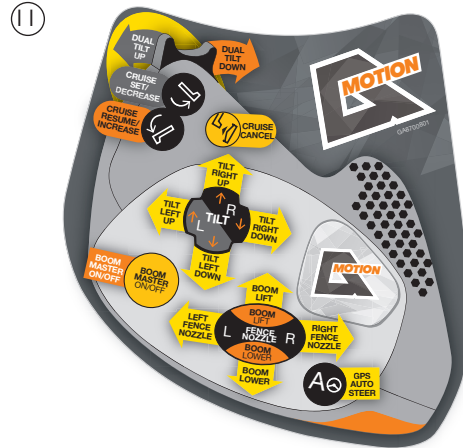
7 _____ cm

8 _____ cm

9 _____ cm

10 _____ cm

GA8700328



⑫

RAVEN Control Calibration Settings

Speed cal _____

Meter cal _____

Rate cal 1 _____ RPM _____

Rate cal 2 _____ Tier 1 _____

Valve cal _____ Tier 2 _____

GA8700327

⑬ **FUSED RELAYS ONLY**

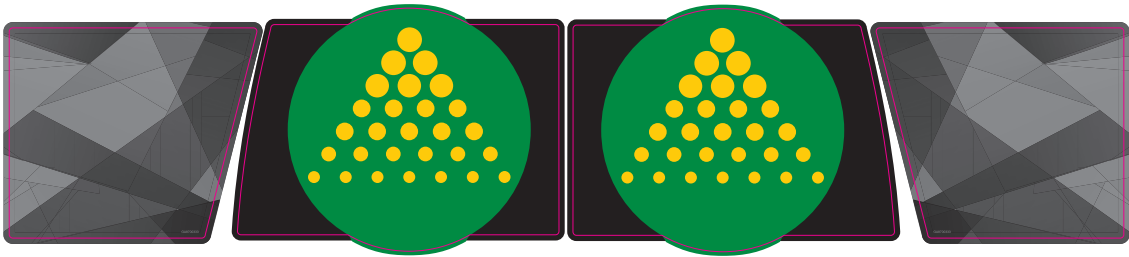
DRIVING LIGHT FRONT RELAY 30 AMP	DRIVING LIGHT ROOF RELAY 30 AMP	HYDRAULIC OIL COOLER RELAY 10 AMP
30 AMP FUSE	30 AMP FUSE	10 AMP FUSE

GA8701006

- ⑭ **A Cabin Main Fuse box** GA8700693
- ⑮ **B Cabin Auxiliary Fuse box** GA5060025
- ⑯ **C Joystick Fuse box** GA5060326

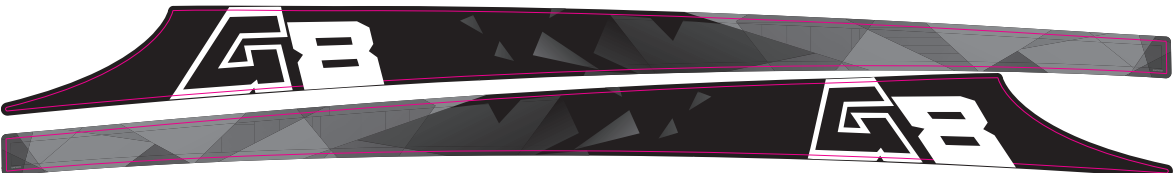
ITEM NO.	PART NUMBER	DESCRIPTION	QTY.
1	GA8700288	JOHN DEERE - 10 AMP	1
2	GA8700292	DRIVER PRESENCE	1
3	GA8700291	TRANSFER PUMP - 25 AMP	1
4	GA8700289	DRIVER PRESENCE - 5 AMP	1
5	GA8700287	ISOBUS - 10 AMP	1
6	GA8700293	ISOBUS	1
7	GA8700354	TYRE PRESSURE GUIDE	1
8	GA5065165	AUTO STEER SWITCH	2
9	GA8700417	SWITCH BANK - IN / OUT	1
10	GA8700328	BOOM WIDTH CALIBRATION CHART	1
11	GA8700801	G MOTION CONTROL GUIDE	1
12	GA8700327	RAVEN CONTROL CALIBRATION CHART	1
13	GA8701006	DECAL, FUSE LAYOUT / RELAY	1
14	GA8700693	CABIN MAIN FUSE BOX A	2
15	GA5060025	CABIN AUXILLIARY FUSE BOX B	2
16	GA5060326	JOYSTICK FUSE BOX C	2

Decals - Tank



ITEM NO.	PART NUMBER	DESCRIPTION	QTY.
-	GA8700440	DECAL, TANK, 8036, LEFT AND RIGHT	1
-	GA8700333	DECAL, TANK, 8042, LEFT AND RIGHT	1
-	GA8700826	DECAL, TANK, 8048, LEFT AND RIGHT	1

Decals - Bonnet



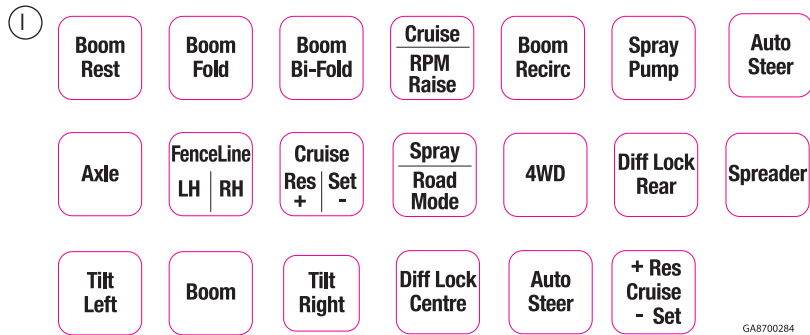
ITEM NO.	PART NUMBER	DESCRIPTION	QTY.
-	GA8700332	Decal, Bonnet G8	1

Decals - Dry Sight Tube

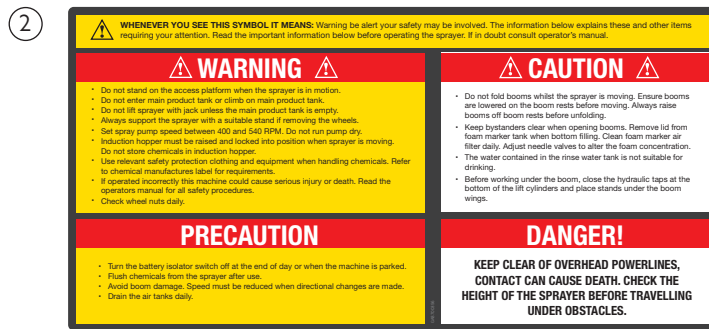
GA8700361 G8 8000L DRY	6000	6200	6400	6600	6800	7000	7200	7400	7600	7800	7900								
	2800	3000	3200	3400	3600	3800	4000	4200	4400	4600	4800	5000	5200	5400	5600	5800			
	0	400		600		800		1000		1200		1400		1600		1800	2000	2200	2400

ITEM NO.	PART NUMBER	DESCRIPTION	QTY.
-	GA8700361	DECAL, DRY SIGHT TUBE, 8000L, G8	1

Decals - Cabin & Miscellaneous



GA8700284

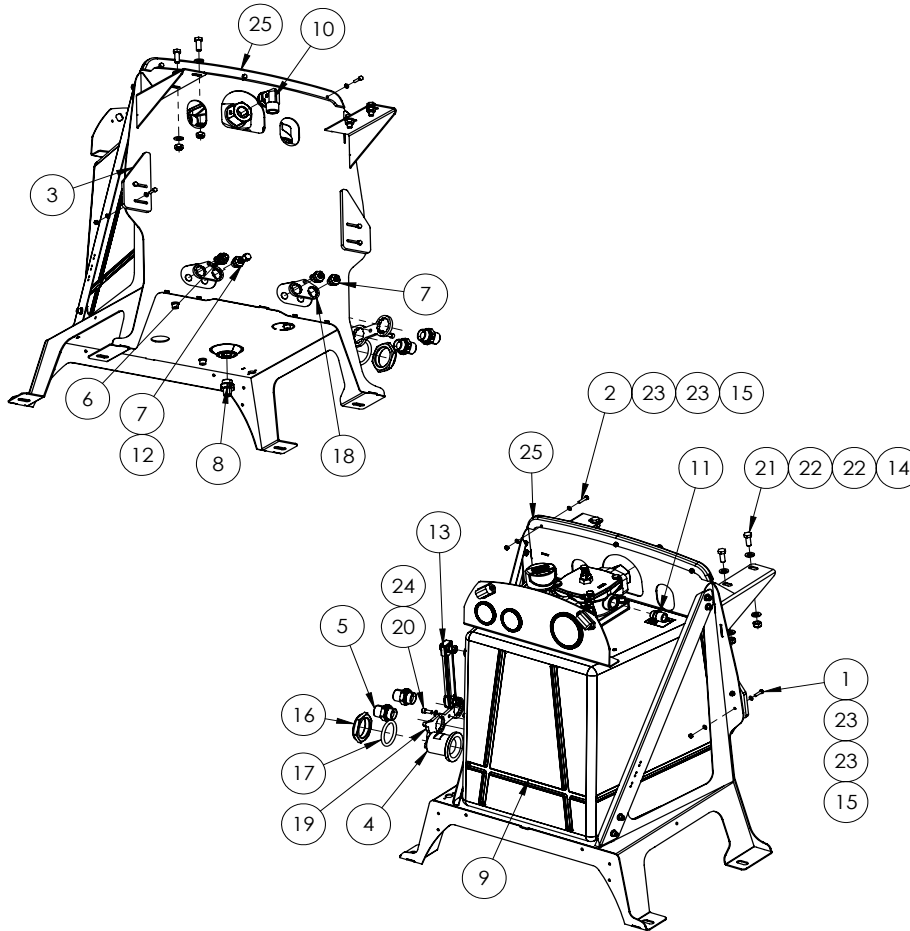


ITEM NO.	PART NUMBER	DESCRIPTION	QTY.
1	GA8700284	DECAL, CABIN CONTROL PANEL	1
2	GA8700356	WARNING / CAUTION / PRECAUTION / DANGER	1

Chapter 18

HYDRAULICS

Oil Tank & Frame



ITEM NO.	PART NUMBER	DESCRIPTION	QTY.
1	GA5004073	BOLT M6 X 25 GR8.8 ZP	4
2	GA5004077	BOLT M6 X 30 GR8.8 ZP	3
3	GA5072695	BONNET SIDE SUPPORT PLASTIC SLIDER	2
4	GA4550345	BULKHEAD, 2" BSPP SUIT HYDRAULIC FITTING	1
5	GA3500863	HYDRAULIC ADAPTOR NIPPLE, 1" BSPT MALE X 1" BSPP O-RING MALE, S75D-1616	2
6	GA3500861	HYDRAULIC ADAPTOR NIPPLE, 1/2" BSPP O-RING MALE X 3/4" JIC MALE, S74D-0812	1
7	GA3500860	HYDRAULIC ADAPTOR NIPPLE, 1/2" BSPP O-RING MALE X 9/16" JIC MALE, S74D-0809	3
8	GA3500862	HYDRAULIC ADAPTOR NIPPLE, 1/2" BSPT MALE X 3/4" BSPP O-RING MALE, S75D-0812	1
9	GA3500694	HYDRAULIC OIL RESERVOIR AND FRAME, MY20, HYDAC	1
10	GA3500327	HYDRAULIC ADAPTOR, ELBOW, 90 DEGREE, 1" BSPT MALE X 1" BSPP MALE O-RING, S77-1616	1

Continued over page

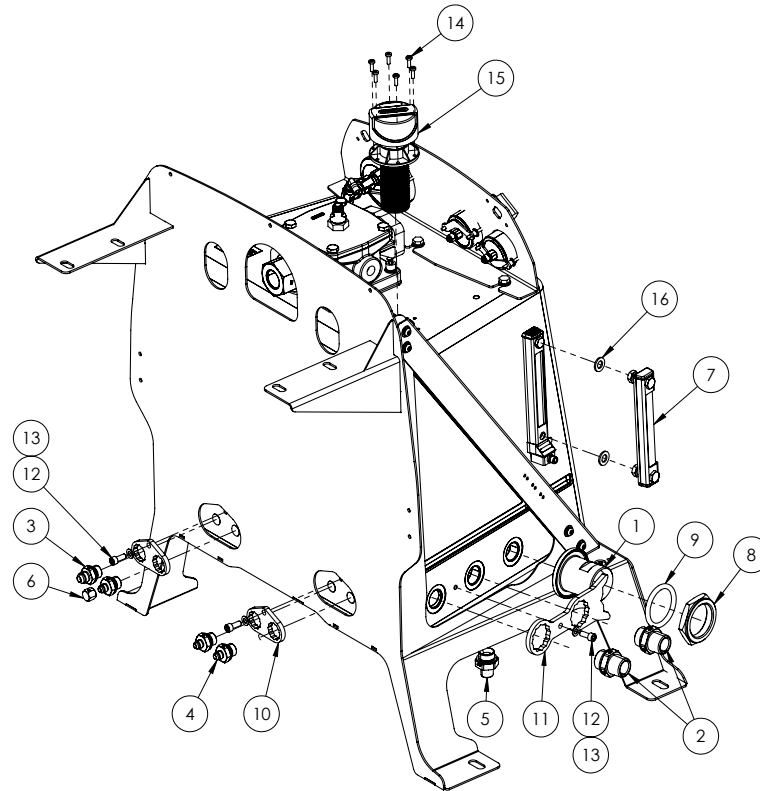
Oil Tank & Frame

ITEM NO.	PART NUMBER	DESCRIPTION	QTY.
11	GA3500313	HYDRAULIC ADAPTOR, NIPPLE, 3/4" BSPT MALE X 1/2" BSPP MALE, S75-1208	1
12	GA3500793	HYDRAULIC ADAPTOR, CAP, 9/16" JIC FEMALE, S65-09	1
13	GA5075435	LEVEL GAUGE, THERMOMETER, OIL RESERVOIR, HYDAC	1
14	GA5012461	NUT M12 NYLOC ZP	4
15	GA5048115	NUT M6 NYLOC ZP	7
16	GA4550350	NUT, BULKHEAD, 2" BSPP SUIT HYDRAULIC FITTING	1
17	GA5072365	O RING, 60 X 8, RUBBER	1
18	GA4405270	PLATE, OIL RESERVOIR FRONT PORT SUPPORT A	2
19	GA4408485	PLATE, OIL RESERVOIR SIDE PORT SUPPORT, G8	1
20	GA5004707	SHCS M8 X 20 GR12.9 ZP	3
21	GA5000305	SET SCREW M12 X 30 GR8.8 ZP	4
22	GA5000577	WASHER 12MM FLAT SS HD	8
23	GA5004437	WASHER 6MM FLAT SS	14
24	GA5003643	WASHER 8MM FLAT SS HD	3
25	GA5074205	WEAR STRIP, BONNET TOP, SERIES 2 G6	1

* Sub-assembly on following pages

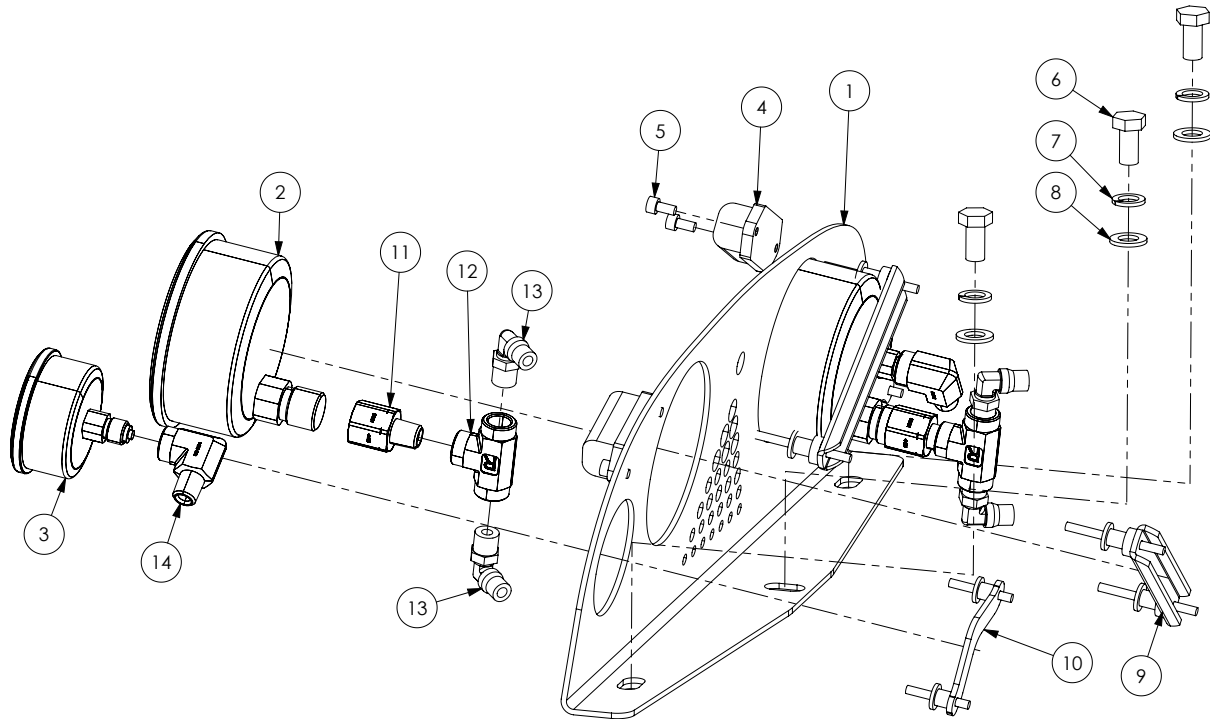
~ See Chapter 20 'Engine & Transmission'

Oil Tank Reservoir Assembly



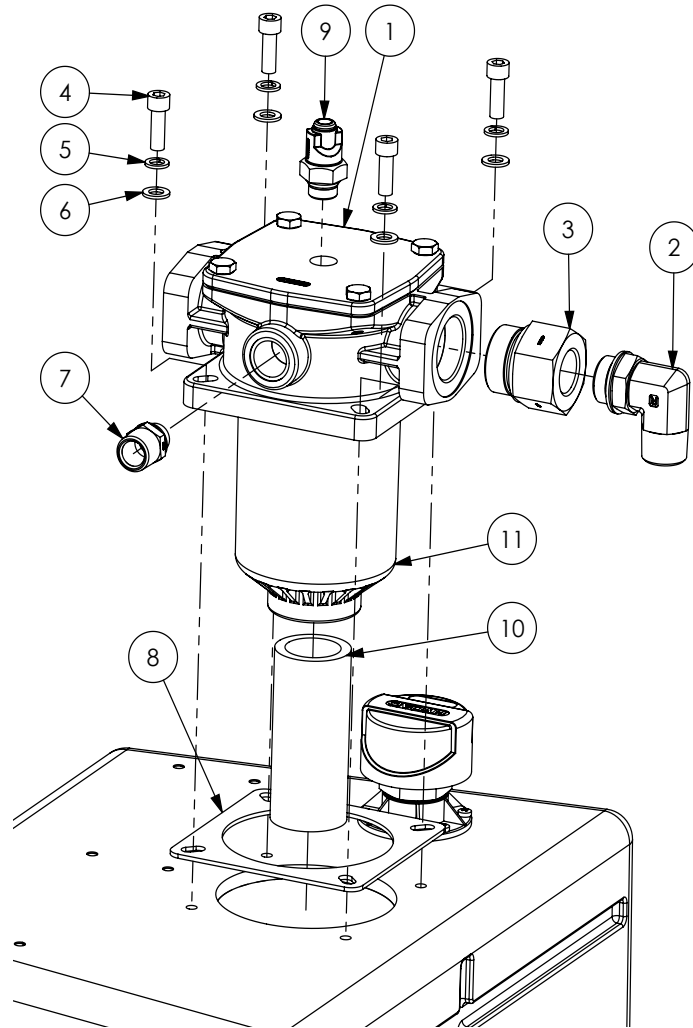
ITEM NO.	PART NUMBER	DESCRIPTION	QTY.
1	GA4550345	BULKHEAD, 2" BSPP SUIT HYDRAULIC FITTING	1
2	GA3500863	HYDRAULIC ADAPTOR NIPPLE, 1" BSPT MALE X 1" BSPP O-RING MALE, S75D-1616	2
3	GA3500861	HYDRAULIC ADAPTOR NIPPLE, 1/2" BSPP O-RING MALE X 3/4" JIC MALE, S74D-0812	1
4	GA3500860	HYDRAULIC ADAPTOR NIPPLE, 1/2" BSPP O-RING MALE X 9/16" JIC MALE, S74D-0809	3
5	GA3500862	HYDRAULIC ADAPTOR NIPPLE, 1/2" BSPT MALE X 3/4" BSPP O-RING MALE, S75D-0812	1
6	GA3500793	HYDRAULIC ADAPTOR, CAP, 9/16" JIC FEMALE, S65-09	1
7	GA5075435	LEVEL GAUGE, THERMOMETER, OIL RESERVOIR, HYDAC, 3985164	1
8	GA4550350	NUT, BULKHEAD, 2" BSPP SUIT HYDRAULIC FITTING	1
9	GA5072365	O RING, 60 X 8, RUBBER	1
10	GA4405270	PLATE, OIL RESERVOIR FRONT PORT SUPPORT A	2
11	GA4408485	PLATE, OIL RESERVOIR SIDE PORT SUPPORT, G8	1
12	GA5004707	SHCS M8 X 20 GR12.9 ZP	3
13	GA5003643	WASHER 8mm FLAT SS HD	3
14	GA5003977	BOLT PAN HEAD M5 X 16 SS A2-70	6
15	GA5078873	TANK BREATHER FILTER WITH FILLER STRAINER, HYDAC, BREATHER ELF P 30 F W 1.0/-AS	1
16	GA5000577	WASHER 12mm FLAT SS HD	2

Gauge Assembly



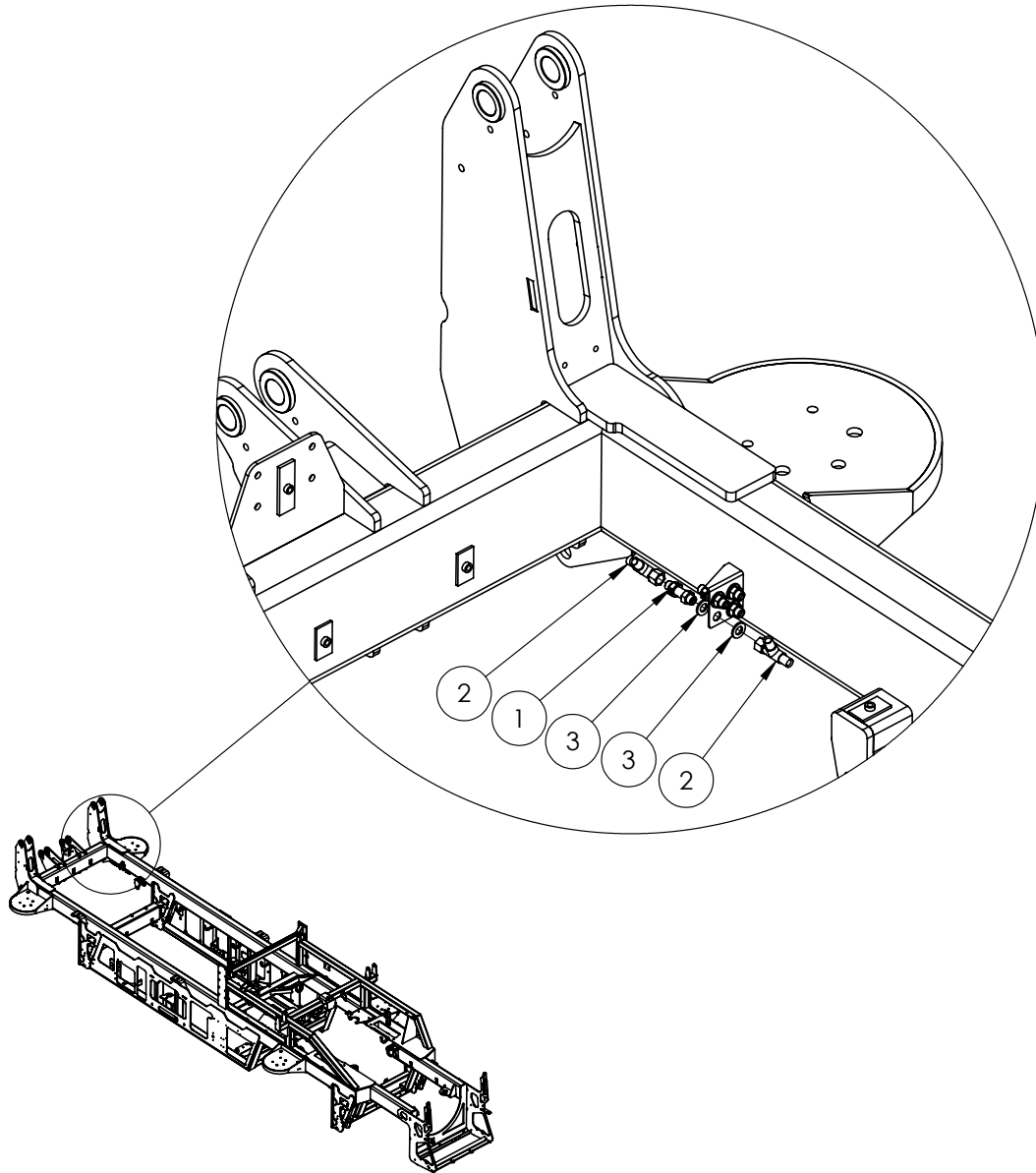
ITEM NO.	PART NUMBER	DESCRIPTION	QTY.
1	-	STEEL GAUGE PANE	1
2	GA5075420	GAUGE, 100MM, 3/8" BSP REAR PORT, LARGE	2
3	GA3501149	GAUGE PRESSURE, REAR MOUNT, 3500PSI, 250BAR, 63MM FACE, G 1/4" HINTEN, 6007003	2
4	GA5075430	LIGHT, LED, GAUGE LIGHT, OIL RESERVOIR	2
5	GA5069975	SHCS M5 X 10 SS	4
6	GA5006113	BOLT M10 X 20 ZP GR8.8	3
7	GA5000137	WASHER 10MM SPRING SS	3
8	GA5000117	WASHER 10MM FLAT SS HD	3
9	GA5075460	GAUGE RETAINER, MOUNTING BRACKET, 100MM GAUGE	2
10	GA5075455	GAUGE RETAINER, MOUNTING BRACKET, 63MM GAUGE	2
11	S72-0406	HYDRAULIC ADAPTOR, 1/4" BSPT MALE X 3/8" BSPT FEMALE	2
12	GA3500242	HYDRAULIC ADAPTOR, TEE, 1/4" BSPT FEMALE X 1/4" BSPT FEMALE X 1/4" BSPT FEMALE	2
13	GA5016233	PNEUMATIC FITTING, ELBOW, 90 DEGREE, 1/4" BSP MALE X 6MM PUSH TYPE, METAL	4
14	GA3500209	HYDRAULIC ADAPTOR, ELBOW, 90 DEGREE, 1/4" BSPT MALE X 1/4" BSPT FEMALE	2

Hydraulic Oil Return Filter



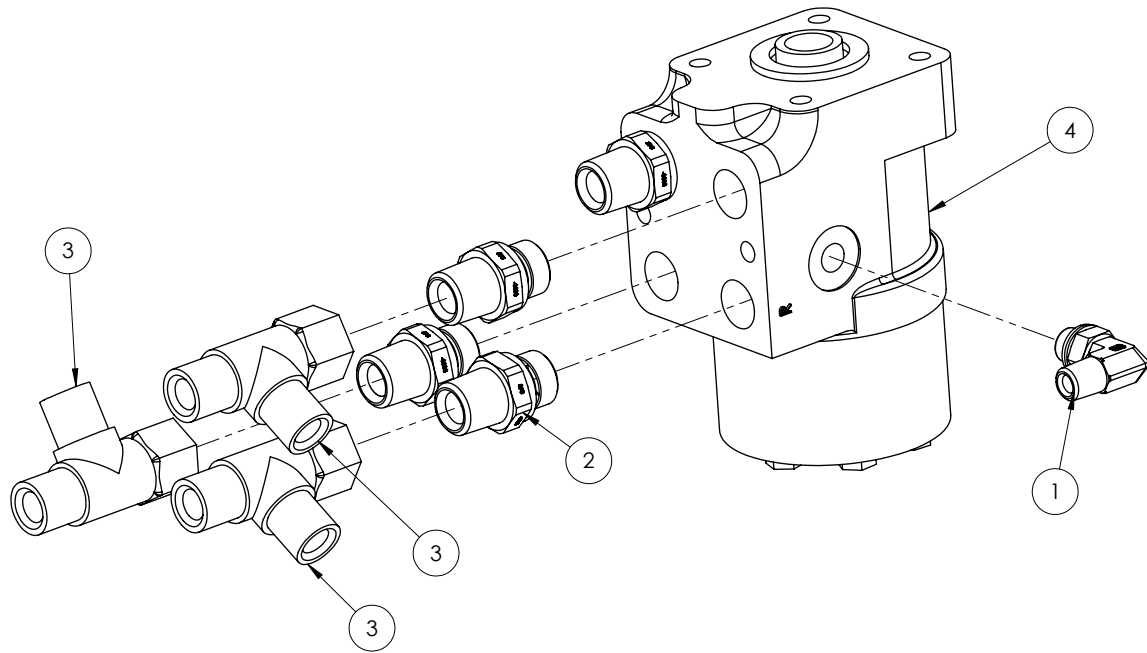
ITEM NO.	PART NUMBER	DESCRIPTION	QTY.
1	GA5069055	FILTER, HYDRAULIC RETURN, TANK TOP, RMF BN/HC 330	1
2	GA3500327	HYDRAULIC ADAPTOR, ELBOW, 90 DEGREE, 1" BSPT MALE X 1" BSPP MALE O-RING	1
3	GA3500191	HYDRAULIC ADAPTOR, REDUCING BUSH, 1 1/2" BSPP MALE X 1" BSPP FEMALE	1
4	GA5020115	SHCS M10 X 30 ZP GR12.9	4
5	GA5000137	WASHER 10MM SPRING SS	4
6	GA5000117	WASHER 10MM FLAT SS HD	4
7	GA3500313	HYDRAULIC ADAPTOR, NIPPLE, 3/4" BSPT MALE X 1/2" BSPP MALE	1
8	GA5070580	GASKET HYDRAULIC OIL RETURN FILTER HOUSING	1
9	GA5070780	CLOGGING SERVICE INDICATOR OIL RETURN	1
10	GA5069910	PIPE BLACK STEEL RISER 2" X 150MM, 2" BSPT MALE THREAD ONE END	1
11	GA5069056	FILTER ELEMENT, SUIT TANK MOUNTED FILTER GA5069055, HYDAC	1

Bulkhead



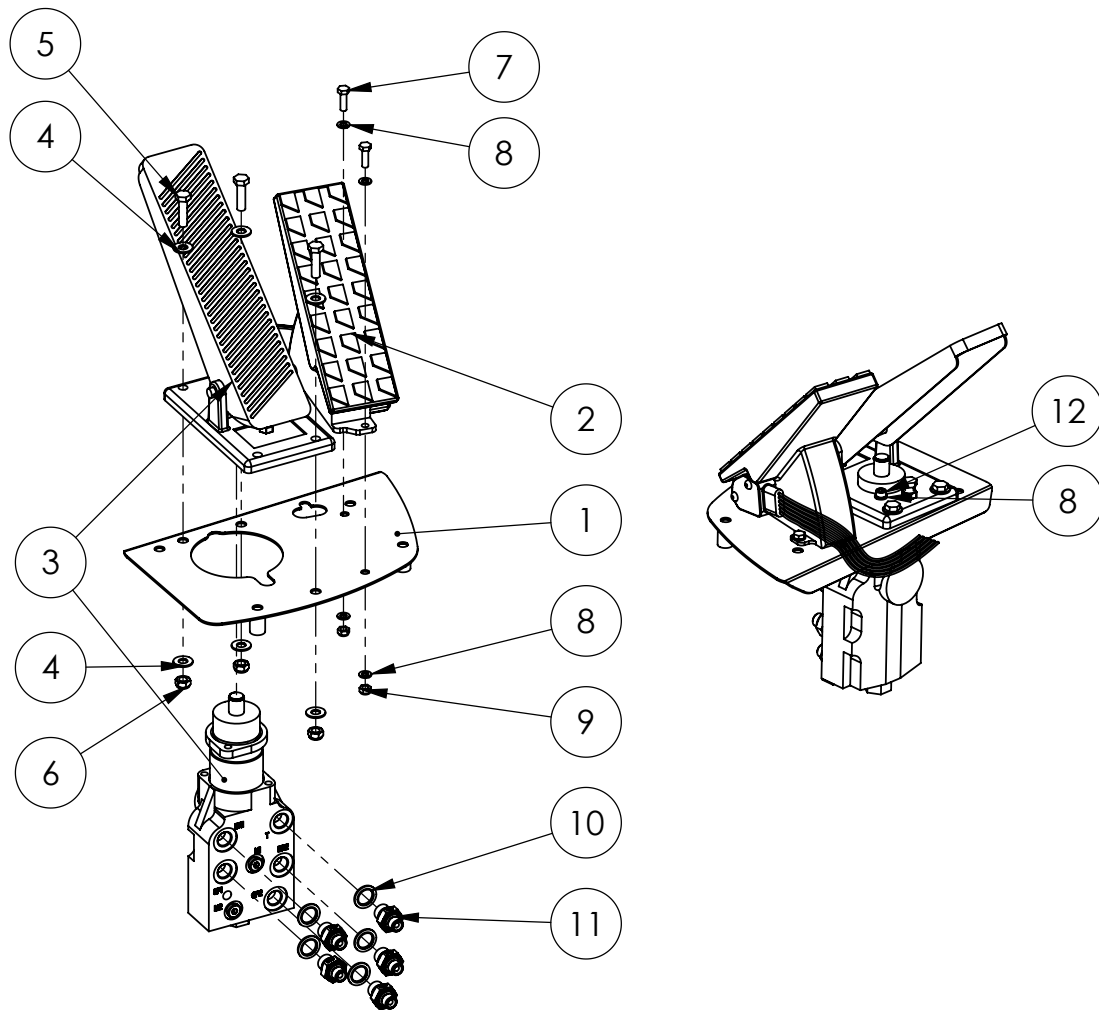
ITEM NO.	PART NUMBER	DESCRIPTION	QTY.
1	GA3500249	HYDRAULIC ADAPTOR, BULKHEAD NIPPLE, 1/4" BSP MALE X 1/4" BSP MALE	4
2	GA3500199	TEE 1/4 BSPT M X M F	2
3	GA5000577	WASHER 12MM FLAT SS HD	8

Steering Orbital



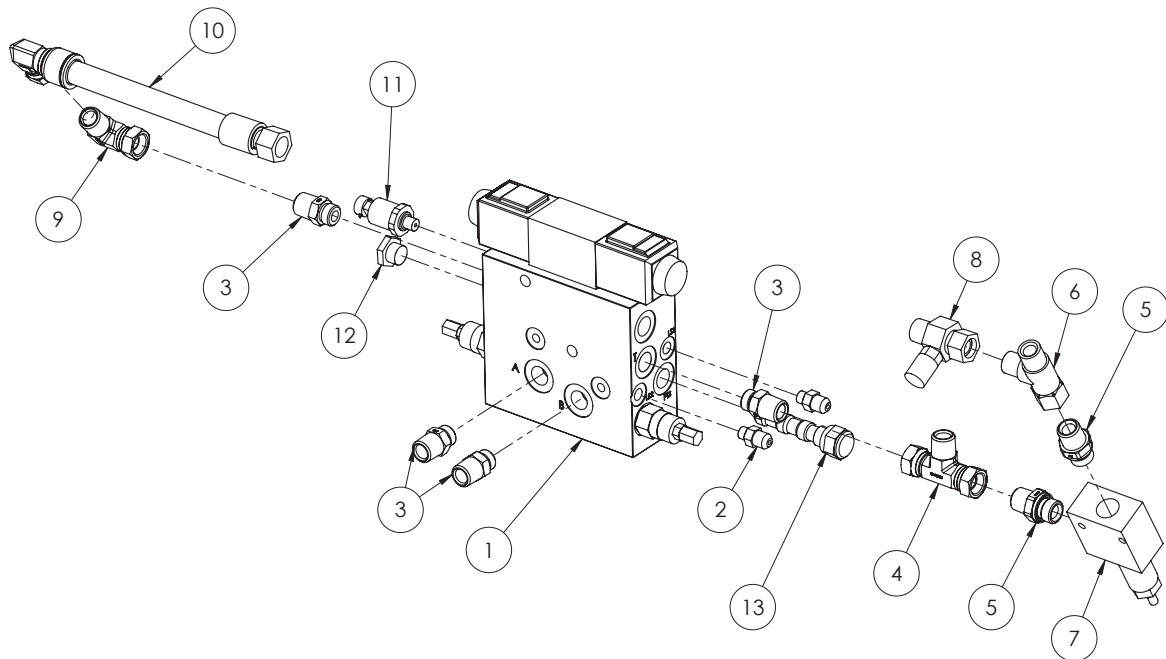
ITEM NO.	PART NUMBER	DESCRIPTION	QTY.
1	GA3500320	HYDRAULIC ADAPTOR, ELBOW, 90 DEGREE, 1/4" BSPT MALE X 1/4" BSPP MALE O-RING, S77-0404	1
2	GA3500310	HYDRAULIC ADAPTOR, NIPPLE, 1/2" BSPT MALE X 1/2" BSPP MALE, S75-0808	4
3	GA3500200	HYDRAULIC ADAPTOR, TEE, 1/2" BSPT MALE X 1/2" BSPT MALE X 1/2" BSPP FEMALE SWIVEL, S167-080808	3
4	GA5000031	STEERING ORBITAL , 250CC, LOAD SENSING	1

Brake Pedal Assembly



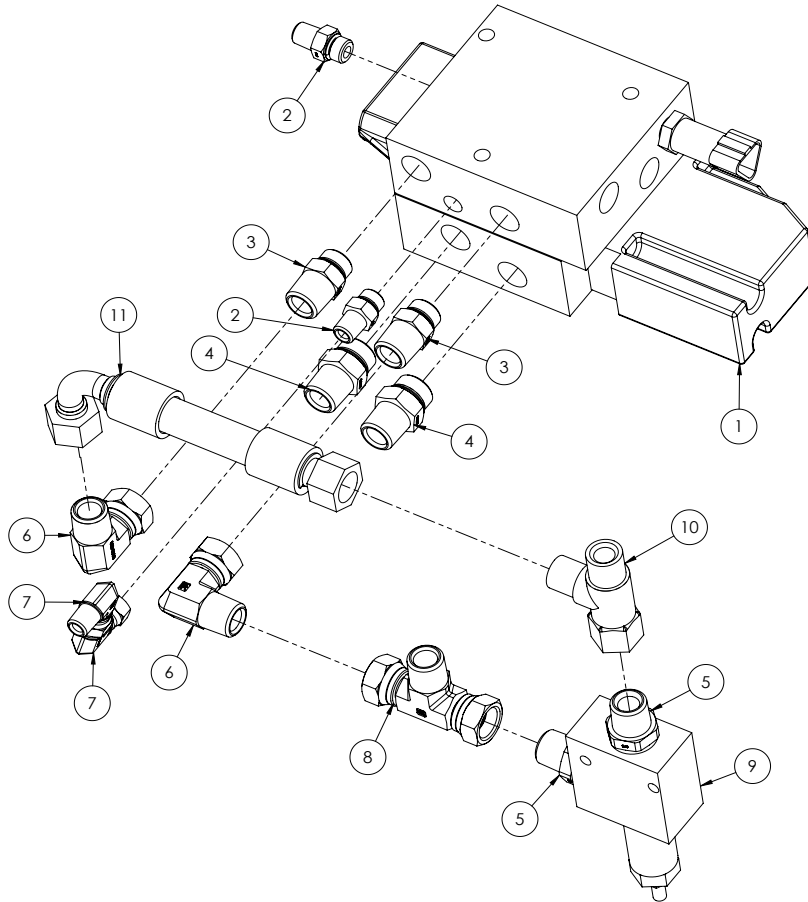
ITEM NO.	PART NUMBER	DESCRIPTION	QTY.
1	GA4600270	ACCELERATOR AND BRAKE PEDAL MOUNT, G8	1
2	GA5065460	THROTTLE PEDAL ELECTRONIC, WITH IDLE VALIDATION	1
3	GA3500088	HYDRAULIC VALVE, BRAKE, DUAL, INCLUDING FOOT PEDAL AND RUBBER COVER	1
4	GA5003643	WASHER 8MM HD	6
5	GA5011475	BOLT M8 X 30 GR8.8 ZP	3
6	GA5052590	NUT M8 NYLOC SS	3
7	GA5004063	M6 X 20 SS BOLT	2
8	GA5004437	WASHER 6MM FLAT SS	6
9	GA5048115	NUT M6 NYLOC ZP	2
10	GA3500129	HYDRAULIC ADAPTOR, SEAL, METAL BONDED, SUIT M16 MALE THREAD, MBD-16, RYCO	5
11	GA3500128	HYDRAULIC ADAPTOR, M16 X 1.5 METRIC MALE THREAD TO 1/4" BSPP MATE THREAD, M75S1604, RYCO	5
12	GA5004061	SHCS M6 X 25 SS A2-70	2

Manifold - Trimble Auto Steer



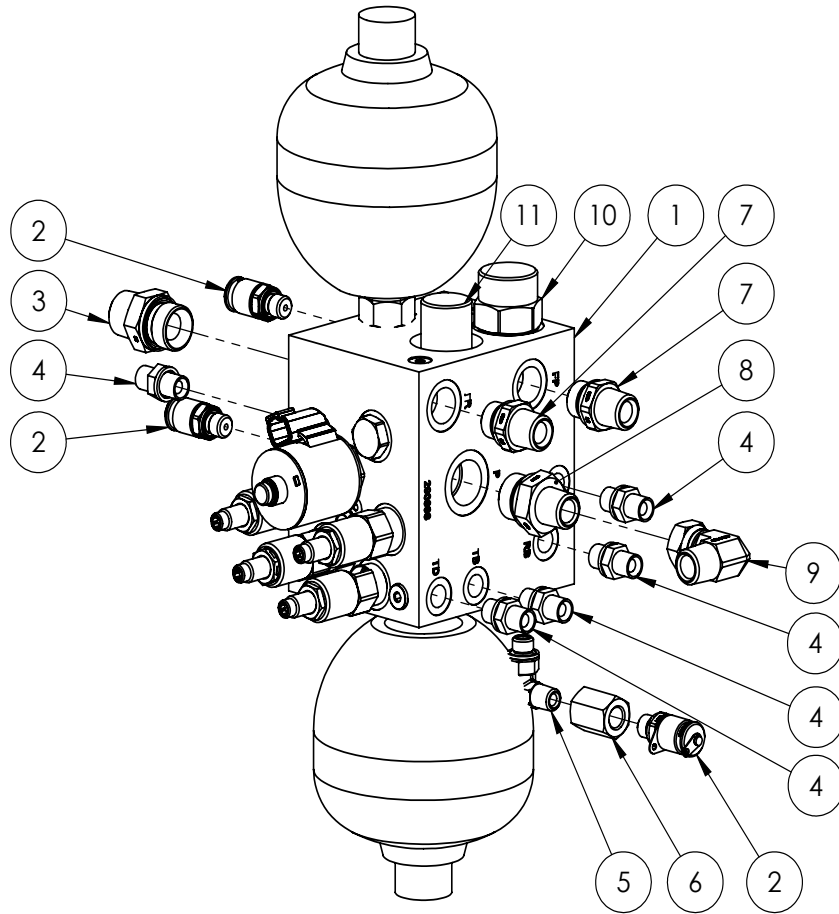
ITEM NO.	PART NUMBER	DESCRIPTION	QTY.
1	GA5069860	TRIMBLE AUTO STEER PLATFORM KIT	1
2	GA3500354	HYDRAULIC ADAPTOR, NIPPLE, 9/16" JIC MALE X 7/16" UN MALE O-RING	2
3	GA3500363	HYDRAULIC ADAPTOR, NIPPLE, 1/2" BSPT MALE X 3/4" UN MALE O-RING	4
4	GA3500336	HYDRAULIC ADAPTOR, TEE, 1/2" BSPP FEMALE SWIVEL X 1/2" BSPT MALE X 1/2" BSPP FEMALE SWIVEL	1
5	GA3500310	HYDRAULIC ADAPTOR, NIPPLE, 1/2" BSPT MALE X 1/2" BSPP MALE	2
6	GA3500200	HYDRAULIC ADAPTOR, TEE, 1/2" BSPT MALE X 1/2" BSPT MALE X 1/2" BSPP FEMALE SWIVEL	1
7	GA5006933	HYDRAULIC PRESSURE RELIEF (CARTRELIEFDIR.OP.BI DIRECTIONAL)	1
8	GA3500198	HYDRAULIC ADAPTOR, INLINE TEST POINT, 1/2" BSPP FEMALE SWIVEL X 1/2" BSPT MALE X M16 X 2.0 TEST PORT	1
9	GA3500333	HYDRAULIC ADAPTOR, ELBOW, 90 DEGREE, 1/2" BSPT MALE X 1/2" BSPP FEMALE SWIVEL	1
10	GA4904895	HYDRAULIC HOSE ASSEMBLY	1
11	GA5070350	PRESSURE SENSOR - TRIMBLE P/NO 49669	1
12	-	P COMP - TRIMBLE P/NO 56907	1
13	GA5069865	TRIMBLE VALVE CARTRIDGE PTS 40 - TRIMBLE P/NO 56904	1

Manifold - John Deere Auto Steer



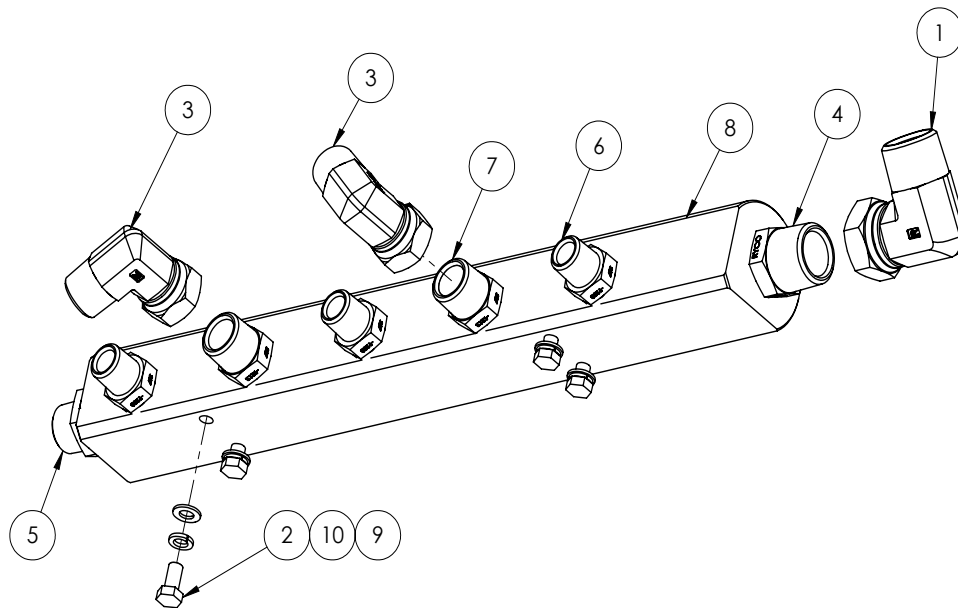
ITEM NO.	PART NUMBER	DESCRIPTION	QTY.
1	I1340003088	JOHN DEERE STEERING BLOCK	1
2	GA3500358	HYDRAULIC ADAPTER, NIPPLE, 1/4" BSPT MALE X 9/16" UN MALE O-RING	2
3	GA3500363	HYDRAULIC ADAPTER, NIPPLE, 1/2" BSPT MALE X 3/4" UN MALE O-RING	2
4	GA3500364	HYDRAULIC ADAPTOR, NIPPLE, 1/2" BSPT MALE X 7/8" UN MALE O-RING	2
5	GA3500310	HYDRAULIC ADAPTOR, NIPPLE, 1/2" BSPT MALE X 1/2" BSPP MALE	2
6	GA3500333	HYDRAULIC ADAPTER, ELBOW, 90 DEGREE, 1/2" BSPT MALE X 1/2" BSPP FEMALE SWIVEL	2
7	GA3500332	HYDRAULIC ADAPTER, ELBOW, 90 DEGREE, 1/4" BSPT MALE X 1/4" BSPP FEMALE SWIVEL	2
8	GA3500336	HYDRAULIC ADAPTOR, TEE, 1/2" BSPP FEMALE SWIVEL X 1/2 BSPP" FEMALE SWIVEL X 1/2" BSPT MALE	1
9	GA5006933	HYDRAULIC PRESSURE RELIEF (CARTRELIEFDIR.OP.BI DIRECTIONAL)	1
10	GA3500200	HYDRAULIC ADAPTER, TEE, 1/2" BSPT MALE X 1/2" BSPT MALE X 1/2" BSPP FEMALE SWIVEL	1
11	GA5067971	HYDRAULIC HOSE ASSEMBLY, JOHN DEERE AUTO STEER, H123	1

Manifold - Park Brake, Fan Relief



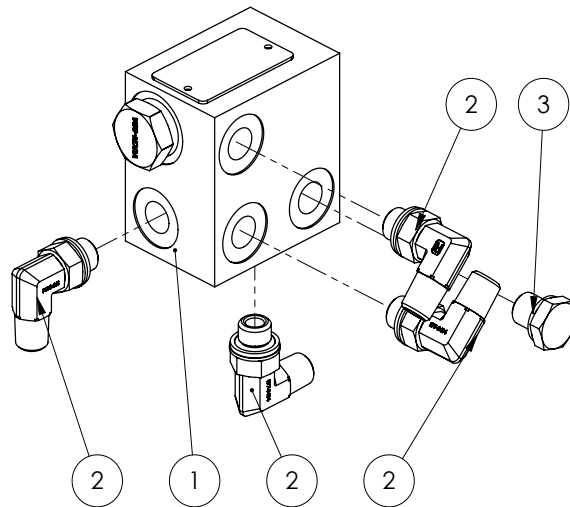
ITEM NO.	PART NUMBER	DESCRIPTION	QTY.
1	GA3500087	HYDRAULIC MANIFOLD, PARK BRAKE VALVE, ACCUMULATORS, FAN RELIEF, ASSEMBLY	1
2	GA3500133	HYDRAULIC COUPLING, EASY TEST POINT, 1/4" BSPP	3
3	GA3500314	HYDRAULIC ADAPTOR, NIPPLE, 3/4" BSPT MALE X 3/4" BSPP MALE, S75-1212	1
4	GA3500306	HYDRAULIC ADAPTOR, NIPPLE, 1/4" BSPT MALE X 1/4" BSPP MALE, S75-0404	5
5	GA3500320	HYDRAULIC ADAPTOR, ELBOW, 90 DEGREE, 1/4" BSPT MALE X 1/4" BSPP MALE O-RING	1
6	GA5015469	SOCKET, 1/4" BSPP, HEX, STAINLESS	1
7	GA3500310	HYDRAULIC ADAPTOR, NIPPLE, 1/2" BSPT MALE X 1/2" BSPP MALE, S75-0808	2
8	GA3500312	HYDRAULIC ADAPTOR, NIPPLE, 1/2" BSPT MALE X 3/4" BSPP MALE, S75-0812	1
9	GA3500333	HYDRAULIC ADAPTOR, ELBOW, 90 DEGREE, 1/2" BSPT MALE X 1/2" BSPP FEMALE SWIVEL, S82-0808	1
10	GA3500899	HYDRAULIC CARTRIDGE, CHECK VALVE, OILPATH, CV16-20T-0-N-150	1
11	GA3501577	VALVE, HYDRAULIC, PRESSURE COMPENSATOR, OILPATH, EC12-42-0-N-160	1

Manifold - Hydraulic Return



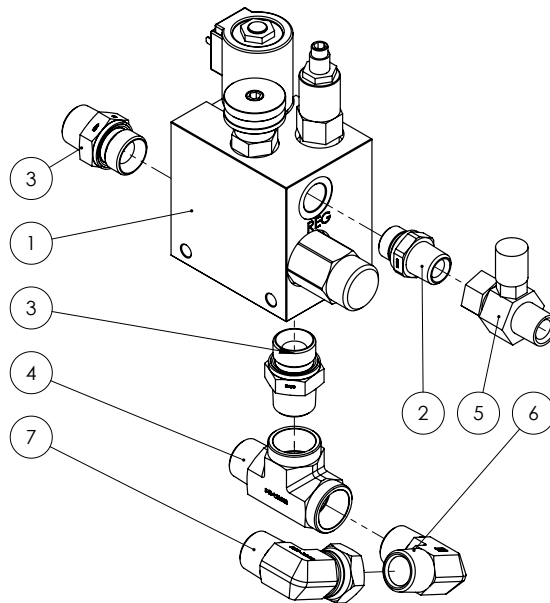
ITEM NO.	PART NUMBER	DESCRIPTION	QTY.
1	GA5071200	90DEG ELBOW 1" MALE / 1" FEMALE NUT	1
2	GA5011465	BOLT M8 X 16 GR8.8 ZP	4
3	GA3500334	HYDRAULIC ADAPTOR, ELBOW, 90 DEGREE, 3/4" BSPT MALE X 3/4" BSPP FEMALE SWIVEL	2
4	GA3500231	HYDRAULIC ADAPTOR, NIPPLE, 1" BSPT MALE X 1" BSPT MALE	1
5	GA3500230	HYDRAULIC ADAPTOR, NIPPLE, 1" BSPT MALE X 3/4" BSPT MALE	1
6	GA3500226	HYDRAULIC ADAPTOR, NIPPLE, 3/4" BSPT MALE X 1/2" BSPT MALE	3
7	GA3500227	HYDRAULIC ADAPTOR, NIPPLE, 3/4" BSPT MALE X 3/4" BSPT MALE	2
8	L069A	MANIFOLD, RETURN, 7 PORT	1
9	GA5003643	WASHER 8MM FLAT SS HD	4
10	GA5004919	WASHER 8MM SPRING SS	4

Hydraulic Load Sense Control Block



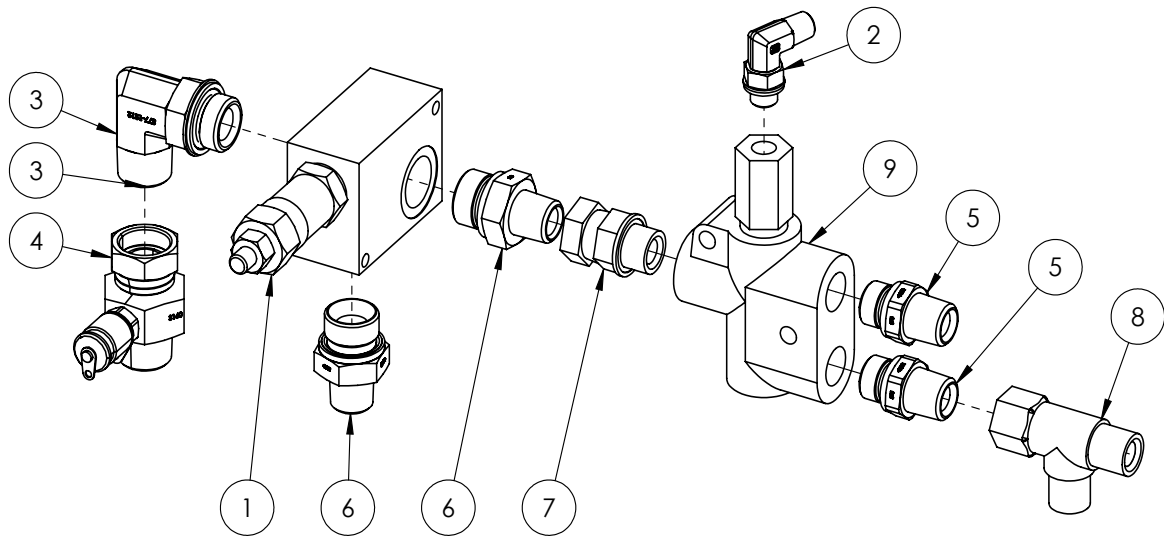
ITEM NO.	PART NUMBER	DESCRIPTION	QTY.
1	GA5047769	HYDRAULIC VALVE, LOAD SENSE FLOW CONTROL BLOCK	1
2	GA3500320	HYDRAULIC ADAPTOR, ELBOW, 90 DEGREE, 1/4" BSPT MALE X 1/4" BSPP MALE O-RING	4
3	GA3500299	HYDRAULIC ADAPTOR, PLUG, 1/4" BSPP MALE	1

Spray Pump Flow Control



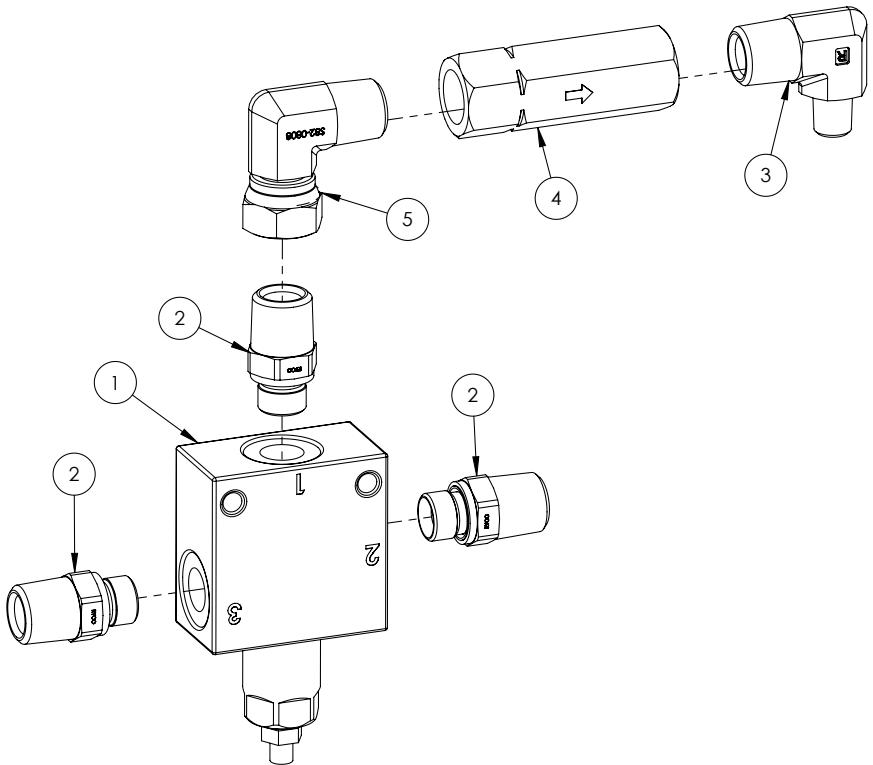
ITEM NO.	PART NUMBER	DESCRIPTION	QTY.
1	GA3500000	PRIORITY FLOW BLOCK WITH UNLOADER AND RELIEF, 60 LPM REG, 120 LPM INLET	1
2	GA3500310	HYDRAULIC ADAPTOR, NIPPLE, 1/2" BSPT MALE X 1/2" BSPP MALE	1
3	GA3500314	HYDRAULIC ADAPTOR, NIPPLE, 3/4" BSPT MALE X 3/4" BSPP MALE	2
4	GA3500255	HYDRAULIC ADAPTOR, TEE, 3/4" BSPT MALE X 3/4" BSPT FEMALE X 3/4" BSPT FEMALE	1
5	GA3500198	HYDRAULIC ADAPTOR, INLINE TEST POINT, 1/2" BSPP FEMALE SWIVEL X 1/2" BSPT MALE X M16 X 2.0 TEST PORT	1
6	GA3500264	HYDRAULIC ADAPTOR, ELBOW, 90 DEGREE, 3/4" BSPT MALE X 3/4" BSPT MALE	1
7	GA3500334	HYDRAULIC ADAPTOR, ELBOW, 90 DEGREE, 3/4" BSPT MALE X 3/4" BSPP FEMALE SWIVEL	1

Valves - Pressure Relief & Priority Valve



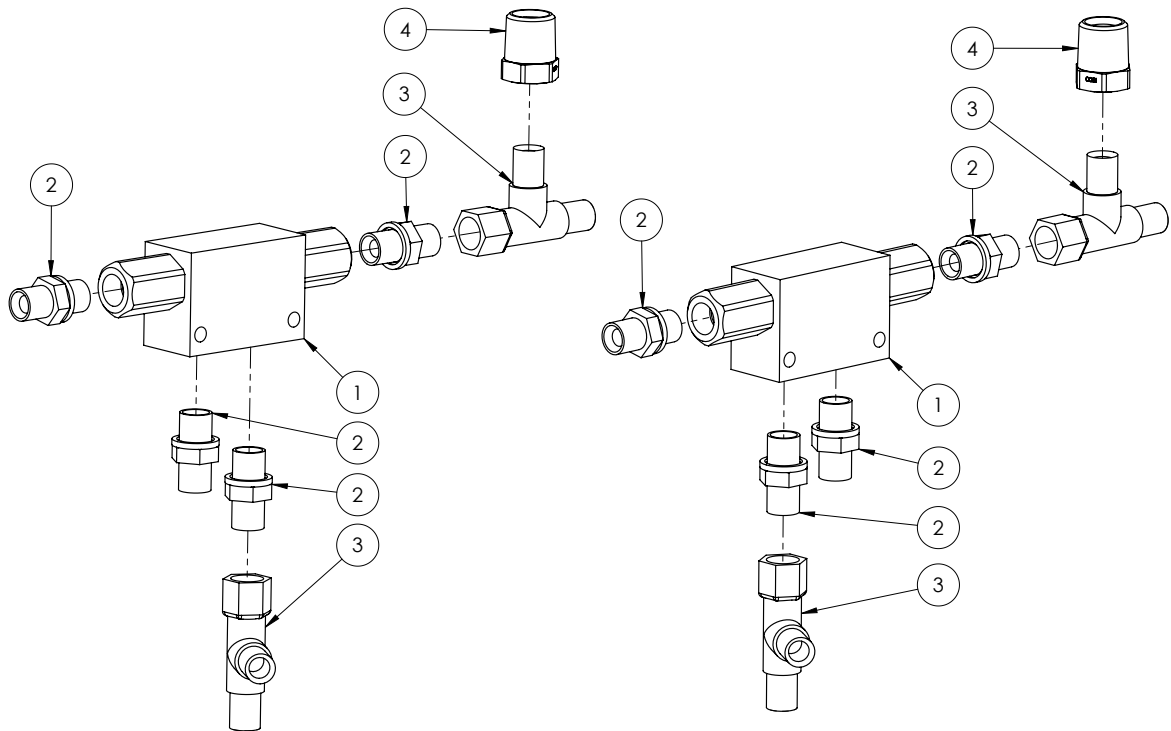
ITEM NO.	PART NUMBER	DESCRIPTION	QTY.
1	GA3500091	HYDRAULIC VALVE, RELIEF, INLINE, CARTRIDGE IN MANIFOLD, BOSCH REXROTH	1
2	GA3500320	HYDRAULIC ADAPTOR, ELBOW, 90 DEGREE, 1/4" BSPT MALE X 1/4" BSPP MALE O-RING, S77-0404	1
3	GA3500325	HYDRAULIC ADAPTOR, ELBOW, 90 DEGREE, 3/4" BSPT MALE X 3/4" BSPP MALE O-RING, S77-1212	1
4	GA3500839	HYDRAULIC ADAPTOR, INLINE TEST POINT, 3/4" BSPT MALE X 3/4" BSPP FEMALE SWIVEL X M16 X 2.0 TEST PORT, S160-121216	1
5	GA3500310	HYDRAULIC ADAPTOR, NIPPLE, 1/2" BSPT MALE X 1/2" BSPP MALE, S75-0808	2
6	GA3500312	HYDRAULIC ADAPTOR, NIPPLE, 1/2" BSPT MALE X 3/4" BSPP MALE, S75-0812	2
7	GA3500248	HYDRAULIC ADAPTOR, NIPPLE, 1/2" BSPP MALE X 1/2" BSPP FEMALE SWIVEL, S43-0808	1
8	GA3500200	HYDRAULIC ADAPTOR, TEE, 1/2" BSPT MALE X 1/2" BSPT MALE X 1/2" BSPP FEMALE SWIVEL, S167-080808	1
9	GA5010957	PRIORITY VALVE, HYDRAULIC, LOAD SENSING, SP STEERING	1

Pressure Reducing Valve Assembly



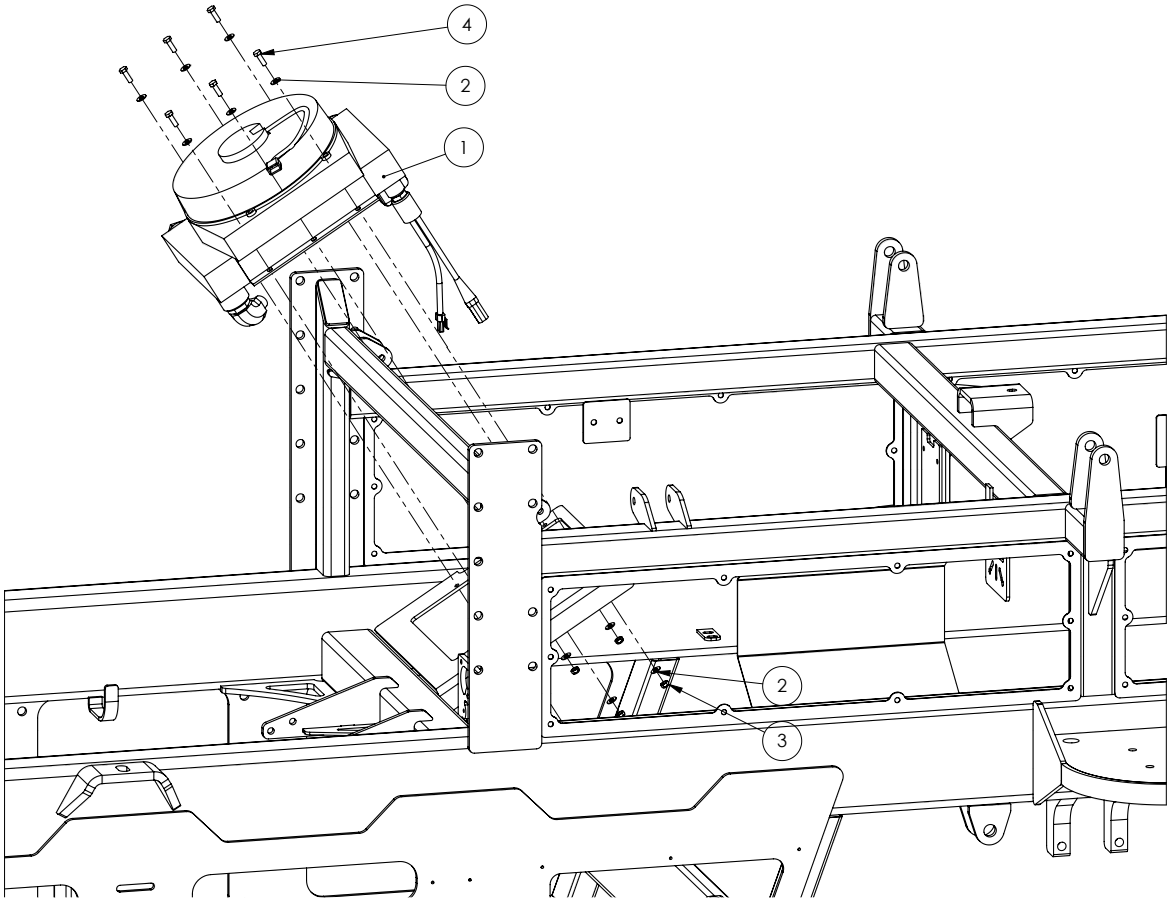
ITEM NO.	PART NUMBER	DESCRIPTION	QTY.
1	GA5047708	VALVE, PRESSURE REDUCING, HYDRAULIC, 10 - 140BAR	1
2	GA3500309	HYDRAULIC ADAPTOR, NIPPLE, 1/2" BSPT MALE X 3/8" BSPP MALE	3
3	GA3500260	HYDRAULIC ADAPTOR, ELBOW, 90 DEGREE, 1/2" BSPT MALE X 1/4" BSPT MALE	1
4	GA5007060	VALVE, CHECK, HYDRAULIC, 1/2 BSPP FEMALE INLET & OUTLET, 45L/MIN FLOW, MAXIMUM 320BAR	1
5	GA3500333	HYDRAULIC ADAPTOR, ELBOW, 90 DEGREE, 1/2" BSPT MALE X 1/2" BSPP FEMALE SWIVEL	1

Double Pilot Operated Check Valve - LH & RH



ITEM NO.	PART NUMBER	DESCRIPTION	QTY.
1	GA5007957	DOUBLE PILOT CHECK (RA) 12LPM 1/4" BSPP	1
2	GA3500306	HYDRAULIC ADAPTOR, NIPPLE, 1/4" BSPT MALE X 1/4" BSPP MALE	4
3	GA3500199	HYDRAULIC ADAPTOR, TEE, 1/4 BSPT MALE X 1/4 BSPT MALE X 1/4 BSPP FEMALE	2
4	GA3500203	HYDRAULIC ADAPTOR, REDUCING BUSH, 1/2" BSPT MALE X 1/4" BSPT FEMALE	1

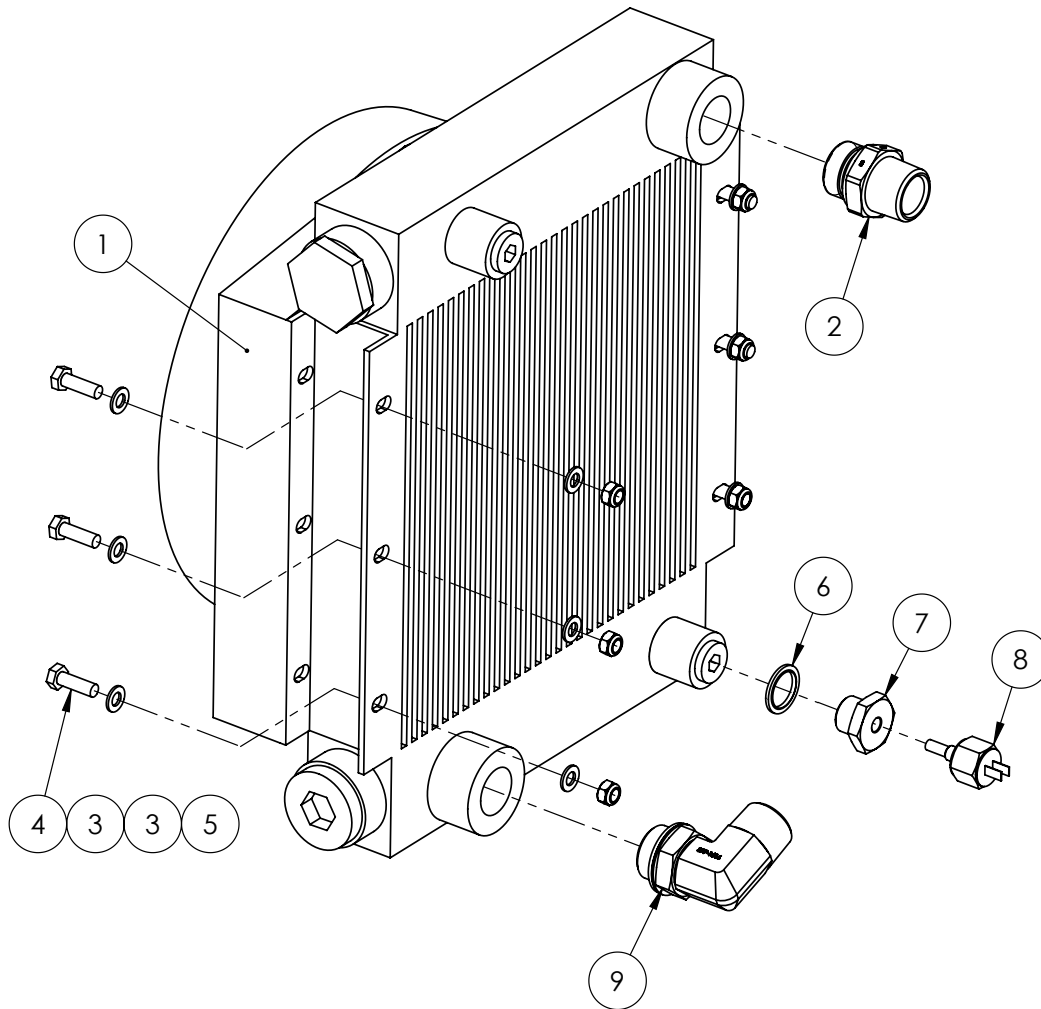
Oil Cooler Mounting



ITEM NO.	PART NUMBER	DESCRIPTION	QTY.
1	GA4903743*	OIL COOLER, ASSEMBLY	1
2	GA5003643	WASHER 8MM FLAT SS HD	12
3	GA5004917	NUT M8 NYLOC ZP	6
4	GA5004711	BOLT M8 X 25 GR8.8 ZP	6

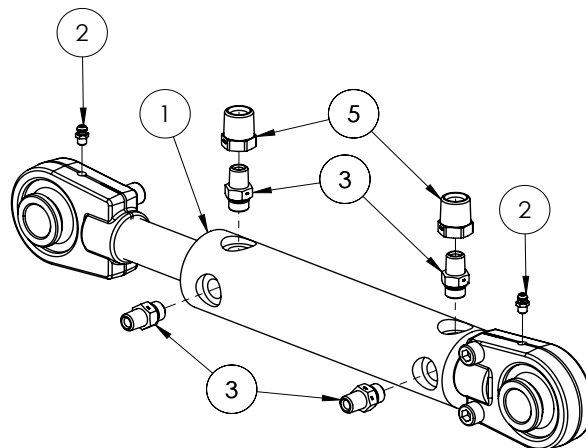
* Sub-assembly on following pages

Oil Cooler Assembly



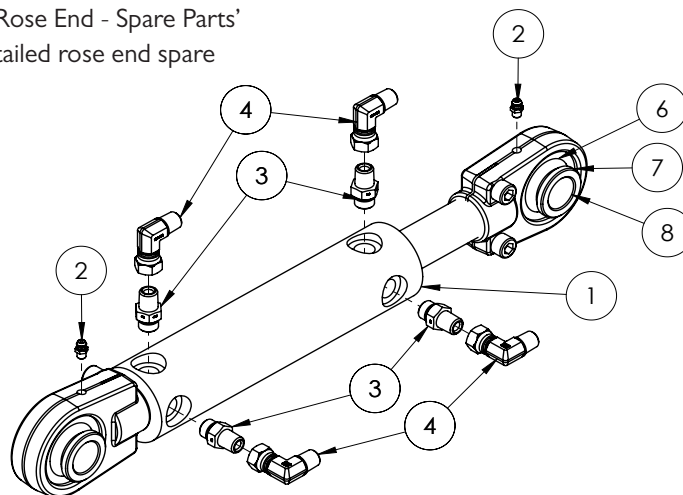
ITEM NO.	PART NUMBER	DESCRIPTION	QTY.
-	GA5071855	FAN SHROUD, COMPLETE INCLUDING MOTOR & CONNECTOR, HYDRAULIC OIL COOLER, HYDAC	-
-	GA5071860	CORE, BARE WITH NO FITTINGS, HYDRAULIC OIL COOLER, HYDAC	-
1	GA5069045	OIL COOLER, HYDAC OK-ELD3H SIZE 3	1
2	GA3500317	HYDRAULIC ADAPTOR, NIPPLE, 1" BSPT MALE X 1" BSPP MALE	1
3	GA5003643	WASHER 8MM FLAT SS HD	12
4	GA5004711	BOLT M8 X 25 GR8.8 ZP	6
5	GA5052590	NUT M8 NYLOC SS	6
6	GA3500179	HYDRAULIC SEAL, M22, METAL BONDED	1
7	GA4551145	REDUCER BUSH, M22 X 1.5P MALE X 1/8" FEMALE NPT	1
8	GA5078472	SWITCH, TEMPERATURE, 95C, NO, SPADE TERMINAL, 15MM PROBE	1
9	GA3500327	HYDRAULIC ADAPTOR, ELBOW, 90 DEGREE, 1" BSPT MALE X 1" BSPP MALE O-RING	1

36m Cylinder - Yaw



LEFT SIDE

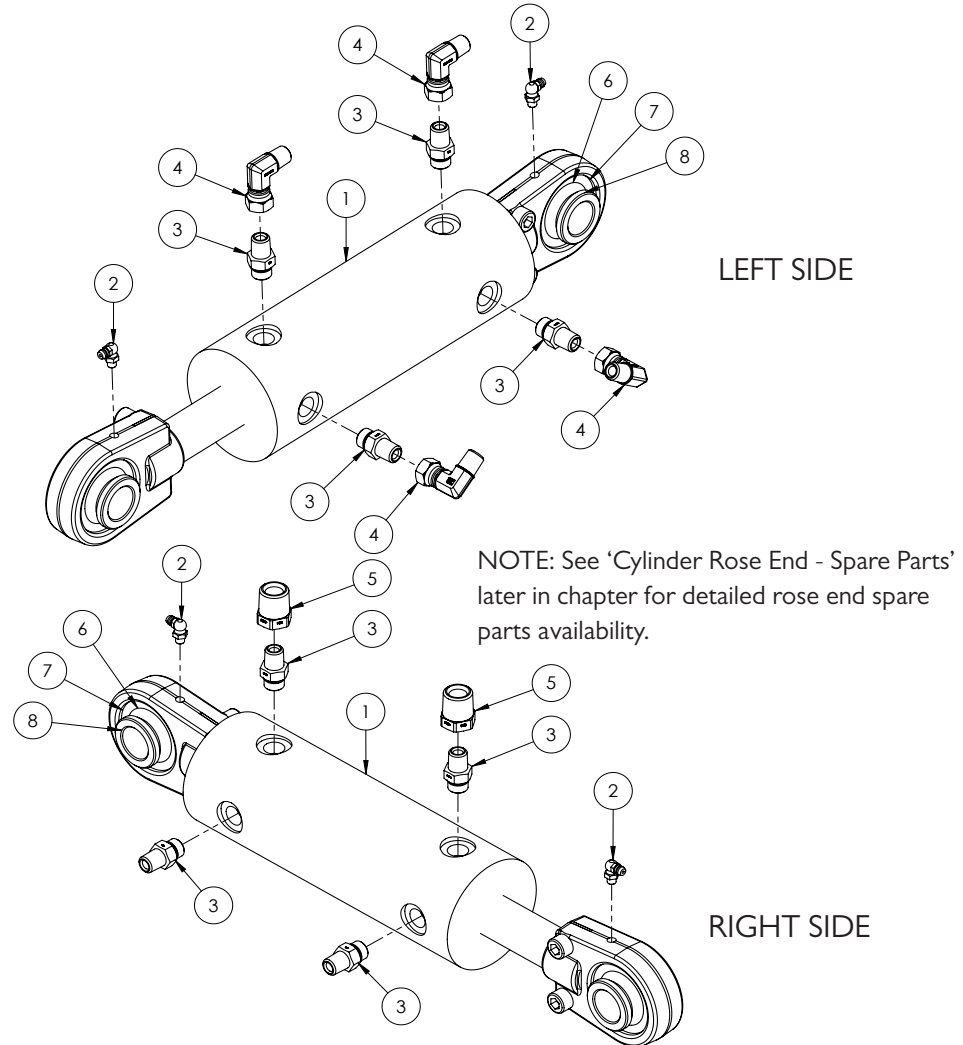
NOTE: See 'Cylinder Rose End - Spare Parts' later in chapter for detailed rose end spare parts availability.



RIGHT SIDE

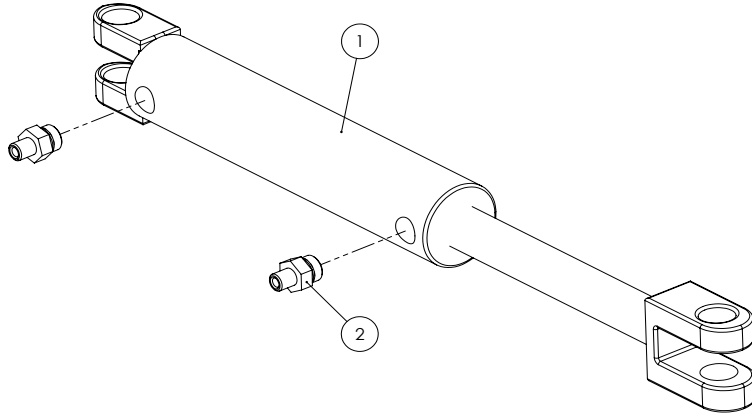
ITEM NO.	PART NUMBER	DESCRIPTION	QTY.
-	GA5052745	SEAL KIT, SUIT 2" BORE X 1 1/4" ROD, SUIT GA5060816, GA5060817, GA5069110, HYPOWER BRAND ONLY	-
-	GA3500811	SEAL KIT, HYDRAULIC CYLINDER, 2" X 1.25" ROD, SUIT PTE ONLY GA5060817	-
-	GA5074330	SEAL KIT, SUIT, HYDRAULIC YAW CYLINDER, 2" X 1.25", MOTUS GA5060817	-
1	GA5060817	HYDRAULIC CYLINDER, 2" BORE X 1 1/4" ROD X 117.5MM STROKE, SPHERICAL BEARING ENDS, SUIT YAW	1
2	GA5009637	GREASE NIPPLE, ELBOW, 90 DEGREE, 1/4" UNF MALE	2
3	GA3500358	HYDRAULIC ADAPTOR, NIPPLE, 1/4" BSPT MALE X 9/16" UN MALE O-RING	4
4	GA3500332	HYDRAULIC ADAPTOR, ELBOW, 90 DEGREE, 1/4" BSPT MALE X 1/4" BSPP FEMALE SWIVEL	4
5	GA3500203	HYDRAULIC ADAPTOR, REDUCING BUSH, 1/2" BSPT MALE X 1/4" BSPT FEMALE	2
6	GA5067605	BEARING, SUIT SCREW ON ROSE END, GEG 30 ES 2RS	2
7	GA5067610	CIRCLIP, SUIT BEARING SCREW ON ROSE END, RTW 55	2
8	GA5021925	SMALL BEARING BUSH, SUIT SCREW ON ROSE END	2

42m Cylinder - Yaw



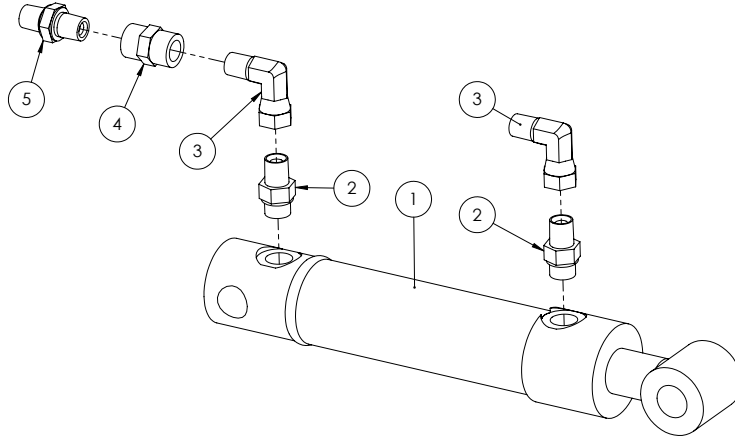
ITEM NO.	PART NUMBER	DESCRIPTION	QTY.
-	GA5052732	SEAL KIT, SUIT 3" BORE X 1 1/4" ROD, SUIT GA5060818	-
-	GA5052680	SEAL KIT, SUIT 3" BORE X 1 1/4" ROD, SUIT GA5018538, GA5018540, GA5060818, HYPower BRAND ONLY	-
-	GA3501270	SEAL KIT, SUIT, HYDRAULIC CYLINDER, GA5018540 & GA5060818, "MOTUS", SK300125	-
1	GA5060818	HYDRAULIC CYLINDER, 3" BORE X 1 1/4" ROD X 117.5MM STROKE, WITH BEARING ENDS	1
2	GA5009637	GREASE NIPPLE, ELBOW, 90 DEGREE, 1/4" UNF MALE	2
3	GA3500358	HYDRAULIC ADAPTOR, NIPPLE, 1/4" BSPT MALE X 9/16" UN MALE O-RING	4
4	GA3500332	HYDRAULIC ADAPTOR, ELBOW, 90 DEGREE, 1/4" BSPT MALE X 1/4" BSPP FEMALE SWIVEL	4
5	GA3500203	HYDRAULIC ADAPTOR, REDUCING BUSH, 1/2" BSPT MALE X 1/4" BSPT FEMALE	2
6	GA5067605	BEARING, SUIT SCREW ON ROSE END, GEG 30 ES 2RS	2
7	GA5067610	CIRCLIP, SUIT BEARING SCREW ON ROSE END, RTW 55	2
8	GA5021925	SMALL BEARING BUSH, SUIT SCREW ON ROSE END	2

36-42m Cylinder - Boom Rest



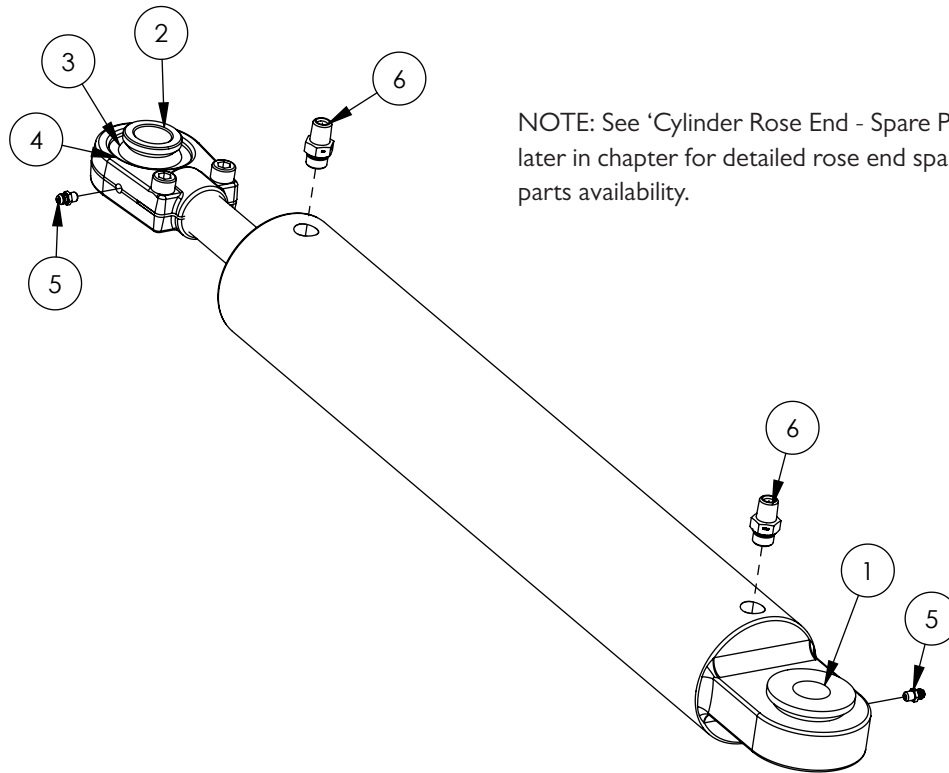
ITEM NO.	PART NUMBER	DESCRIPTION	QTY.
-	GA5052734	SEAL KIT, SUIT 2" BORE X 1.25" ROD, SUIT GA5069110	-
-	GA3501788	SEAL KIT, SUIT, HYDRAULIC CYLINDER, GA5069110, "BICELLI GECO" BRAND ONLY	-
1	GA5069110	HYDRAULIC CYLINDER, BOOM REST, 2" BORE X 6" STROKE, STD F CLEVIS	1
2	GA3500359	HYDRAULIC ADAPTOR, NIPPLE, 1/4" BSPT MALE X 3/4" UN MALE O-RING	2

36-42m Cylinder - Centre Leveling



ITEM NO.	PART NUMBER	DESCRIPTION	QTY.
-	GA5052750	SEAL KIT, SUIT 1 1/2" BORE X 1" ROD, SUIT GA5016121, GA5016122	-
1	GA5016122	HYDRAULIC RAM, 1 1/2" BORE X 1" ROD, 100MM STROKE, PIN EYE ENDS, DOUBLE ACTING	1
2	GA3500358	HYDRAULIC ADAPTOR, NIPPLE, 1/4" BSPT MALE X 9/16" UN MALE O-RING	2
3	GA3500332	HYDRAULIC ADAPTOR, ELBOW, 90 DEGREE, 1/4" BSPT MALE X 1/4" BSPP FEMALE SWIVEL	2
4	GA3500211	HYDRAULIC ADAPTOR, SOCKET, 1/4" BSPT FEMALE X 1/4" BSPT FEMALE	1
5	GA4562025	RESTRICTOR NIPPLE 1/4" BSPT 0.5MM ORIFICE	1

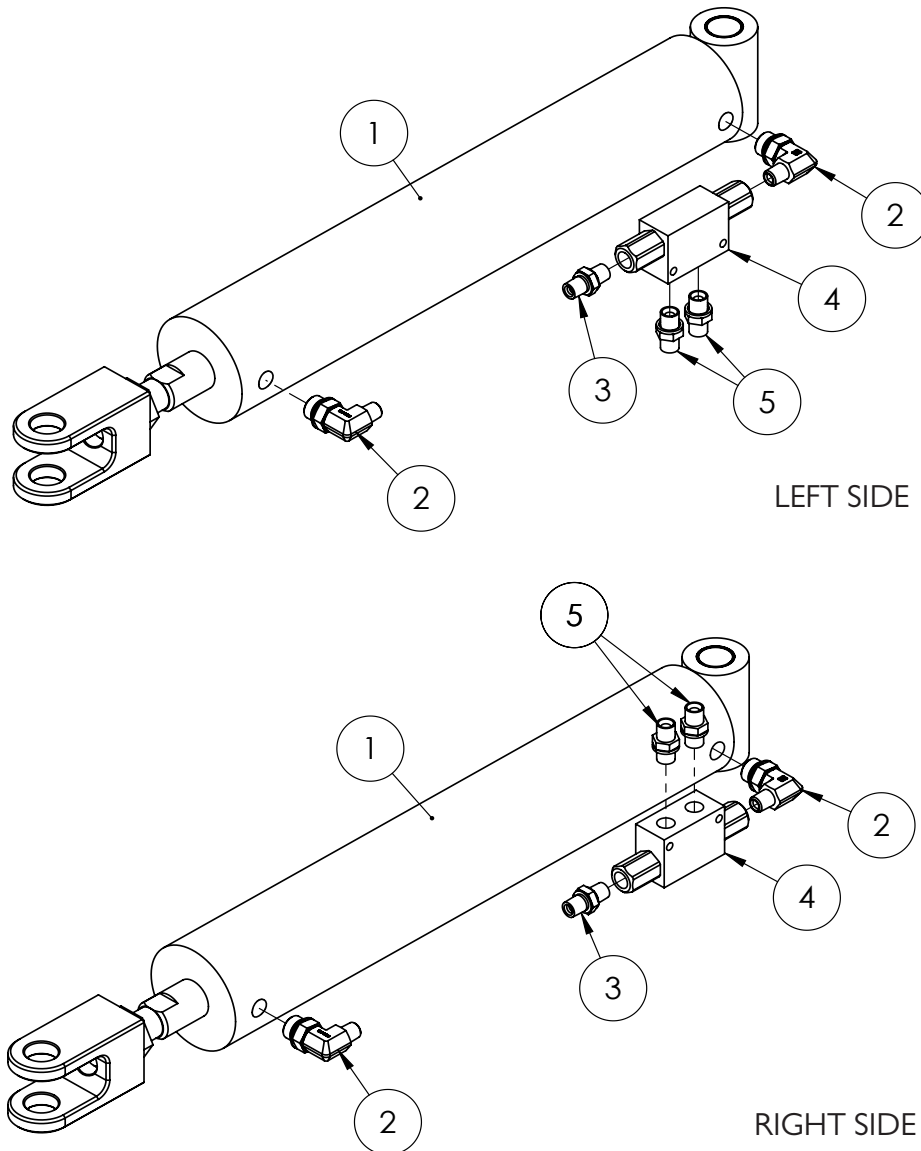
36-42m Cylinder - First Fold



NOTE: See 'Cylinder Rose End - Spare Parts' later in chapter for detailed rose end spare parts availability.

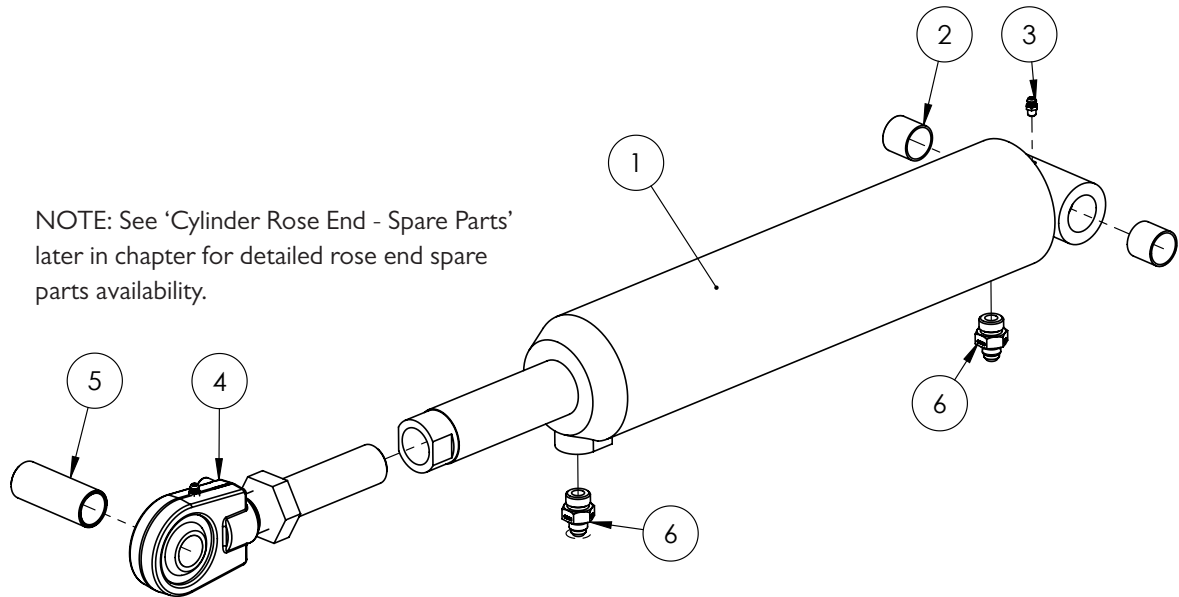
ITEM NO.	PART NUMBER	DESCRIPTION	QTY.
-	GA5018538	HYDRAULIC CYLINDER, 3" BORE X 1 1/4" ROD X 18" STROKE, EXTERNAL PHASING (SINGLE PHASE ONLY)	-
-	GA5052680	SEAL KIT, SUIT 3" BORE X 1 1/4" ROD, SUIT CYLINDER GA5018538, GA5018540, HYPOWER BRAND ONLY	-
-	GA3500098	ROD, SUIT HYDRAULIC FOLD CYLINDER GA5018538, GA5018540, GA5018542, HYPOWER BRAND ONLY	-
-	GA3501761	SEAL KIT, SK300125, SUIT, HYDRAULIC CYLINER, GA5018538 & GA5060818, "MOTUS" BRAND ONLY	-
1	GA5021930	LARGE BEARING BUSH, SUIT SCREW ON ROSE END	1
2	GA5021925	SMALL BEARING BUSH, SUIT SCREW ON ROSE END	3
3	GA5067605	BEARING, SUIT SCREW ON ROSE END, GEG 30 ES 2RS	2
4	GA5067610	CIRCLIP, SUIT BEARING SCREW ON ROSE END, RTW 55	2
5	GA5012203	GREASE NIPPLE, SHORT, 1/4" UNF	2
6	GA3500359	HYDRAULIC ADAPTOR, NIPPLE, 1/4" BSPT MALE X 3/4" UN MALE O-RING	2

36-42m Cylinder - Second Fold



ITEM NO.	PART NUMBER	DESCRIPTION	QTY.
-	GA5052733	SEAL KIT, SUIT 2 1/2" BORE X 1 1/4" ROD, SUIT GA5070845, GA3500060, HYPOWER BRAND ONLY	-
-	GA3501759	SEAL KIT, SK250125, 2 1/2" X 1 1/4", SUIT, GA3500060, "MOTUS" BRAND ONLY	-
1	GA3500060	HYDRAULIC CYLINDER, 2.5" BORE, 1.25" ROD, 400MM STROKE	1
2	GA3500348	HYDRAULIC ADAPTOR, ELBOW, 90 DEGREE, 1/4" BSPT MALE X 3/4" UN MALE O-RING	2
3	GA4562025	RESTRICTOR NIPPLE 1/4" BSPT 0.5MM ORIFICE	1
4	GA5007957	DOUBLE PILOT CHECK (RA) 12LPM 1/4" BSPP	1
5	GA3500306	HYDRAULIC ADAPTOR, NIPPLE, 1/4" BSPT MALE X 1/4" BSPP MALE	2

36-42m Cylinder - Boom Tilt

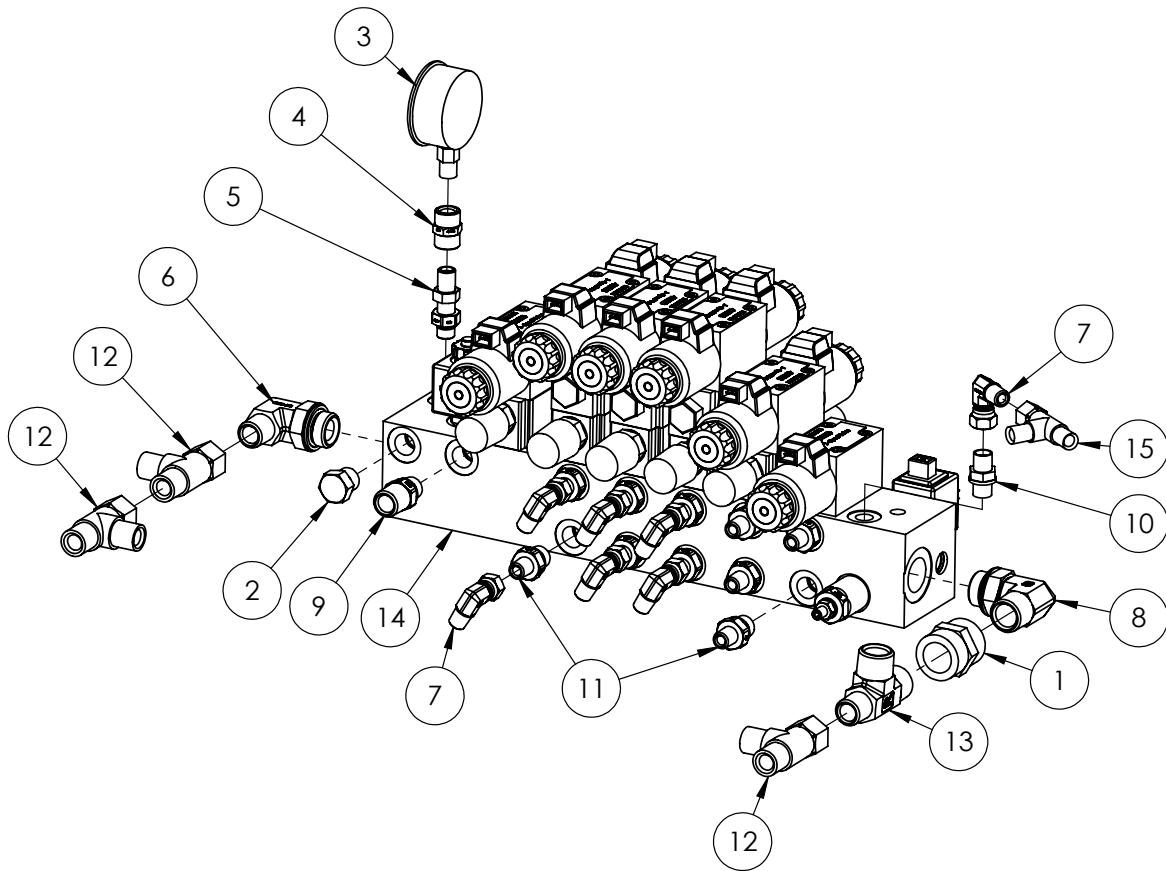


NOTE: See 'Cylinder Rose End - Spare Parts' later in chapter for detailed rose end spare parts availability.

Quantities shown are per side.

ITEM NO.	PART NUMBER	DESCRIPTION	QTY.
-	GA5052730	SEAL KIT, SUIT 3 1/2" BORE X 1 3/4" ROD, SUIT CYLINDER GA5018551 AND GA5065051, HYPOWER BRAND ONLY	-
-	GA3500813	SEAL KIT, HYDRAULIC CYLINDER, 3.5" X 1.75" ROD, SUIT PTE ONLY GA5065051	-
-	GA3501316	SEAL KIT, SUIT, HYDRAULIC CYLINDER, 3.5" X 1.75" ROD, "MOTUS", GA5065051	-
1	GA5065051	HYDRAULIC CYLINDER, 3 1/2" BORE X 1 3/4" ROD X 5" STROKE	1
2	GA5065487	GLACIER BUSH 1" ID X 1" LONG	2
3	GA5012203	GREASE NIPPLE, SHORT, 1/4" UNF	2
4	GA5052762	HYDRAULIC TILT CYLINDER ADJUSTING ROD END, BALL END WITH NUT, SUIT 3 1/2" X 5" TILT RAM GA5065051	1
	GA5067605	BEARING, SUIT SCREW ON ROSE END, GEG 30 ES 2RS	-
	GA5067610	CIRCLIP, SUIT BEARING SCREW ON ROSE END, RTW 55	-
5	GA4572535	BUSH, ROSE END PIVOT WIDE SUIT TILT RAM	1
6	GA3500147	HYDRAULIC ADAPTOR, NIPPLE, 9/16" JIC MALE X 3/4" UN MALE O-RING	2

36-42m - Spool Valve Block Fittings



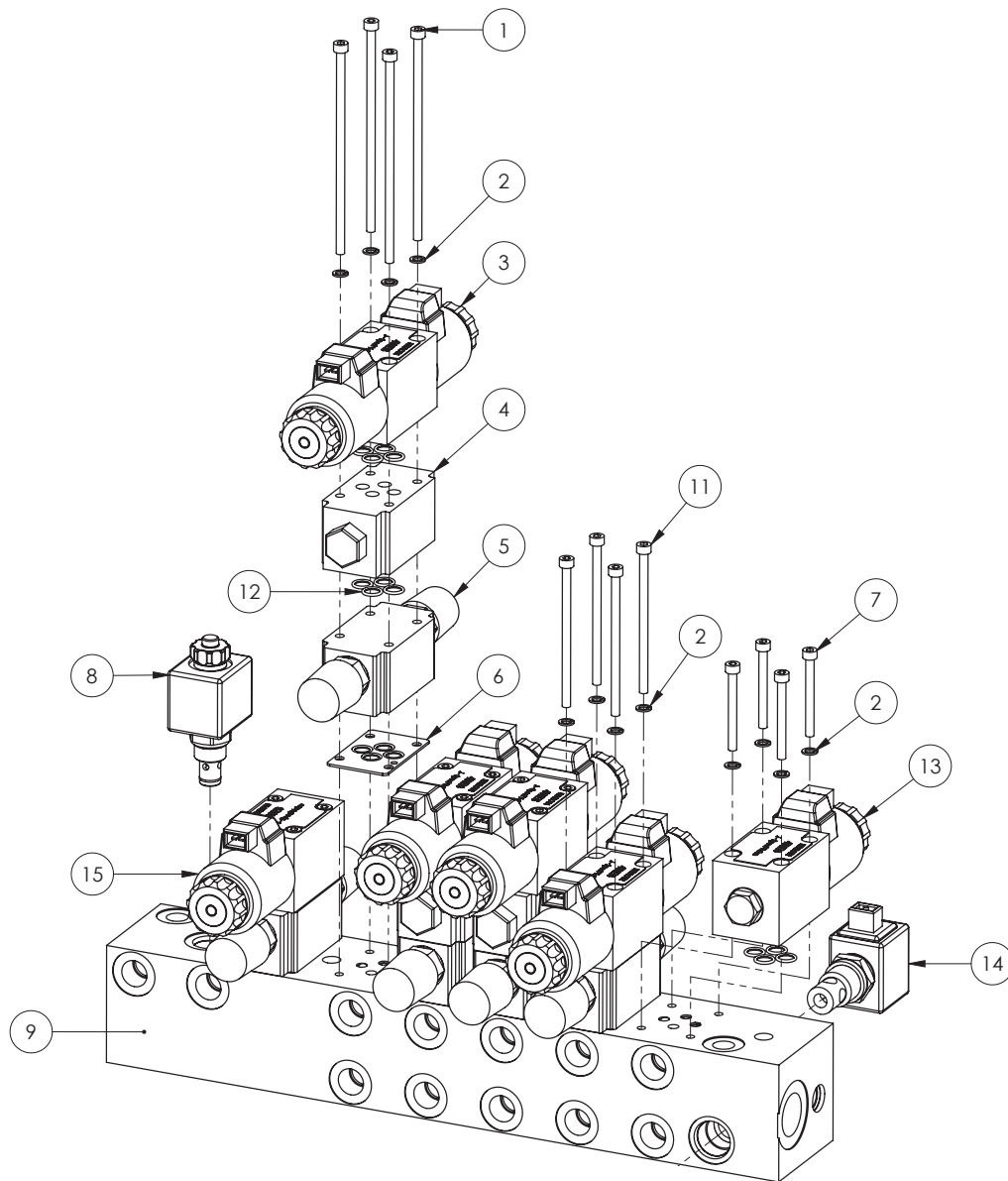
ITEM NO.	PART NUMBER	DESCRIPTION	QTY.
1	GA3500213	HYDRAULIC ADAPTOR, SOCKET, 3/4" BSPT FEMALE X 3/4" BSPT FEMALE, S26-1212	1
2	GA3500300	HYDRAULIC ADAPTOR, PLUG, 3/8" BSPP MALE, S73-06	1
3	GA5078076	GAUGE, PRESSURE, 250 BAR, 3500PSI	1
4	GA3500211	HYDRAULIC ADAPTOR, SOCKET, 1/4" BSPT FEMALE X 1/4" BSPT FEMALE, S26-0404	1
5	GA3500249	HYDRAULIC ADAPTOR, BULKHEAD NIPPLE, 1/4" BSPP MALE X 1/4" BSPP MALE, S44-0404	1
6	GA3500324	HYDRAULIC ADAPTOR, ELBOW, 90 DEGREE, 1/2" BSPT MALE X 3/4" BSPP MALE O-RING, S77-0812	1
7	GA3500332	HYDRAULIC ADAPTOR, ELBOW, 90 DEGREE, 1/4" BSPT MALE X 1/4" BSPP FEMALE SWIVEL, S82-0404	7
8	GA3500325	HYDRAULIC ADAPTOR, ELBOW, 90 DEGREE, 3/4" BSPT MALE X 3/4" BSPP MALE O-RING, S77-1212	1
9	GA3500309	HYDRAULIC ADAPTOR, NIPPLE, 1/2" BSPT MALE X 3/8" BSPP MALE, S75-0806	1

NOTE: Fitting quantity and fitting types will depend on machine options.

36-42m - Spool Valve Block Fittings

ITEM NO.	PART NUMBER	DESCRIPTION	QTY.
10	GA3500306	HYDRAULIC ADAPTOR, NIPPLE, 1/4" BSPT MALE X 1/4" BSPP MALE, S75-0404	1
11	GA3500307	HYDRAULIC ADAPTOR, NIPPLE, 1/4" BSPT MALE X 3/8" BSPP MALE, S75-0406	10
12	GA3500200	HYDRAULIC ADAPTOR, TEE, 1/2" BSPT MALE X 1/2" BSPT MALE X 1/2" BSPP FEMALE SWIVEL, S167-080808	3
13	GA3500272	HYDRAULIC ADAPTOR, TEE, 3/4" BSPT MALE X 1/2" BSPT MALE X 3/4" BSPT MALE, S50-120812	1
14	GA4907645	MANIFOLD ASSEMBLY NORMALLY CLOSED SPOOL VALVE WITH AMP CONNECTORS, G8, MY16	1
15	GA3500199	HYDRAULIC ADAPTOR, TEE, 1/4 BSPT MALE X 1/4 BSPT MALE X 1/4 BSPP FEMALE, S167-040404	1

36-42m - Spool Valve Block Manifold



ITEM NO.	PART NUMBER	DESCRIPTION	QTY.
-	GA5047750	SOLENOID COIL, 12V DC, SLIP ON, 2 PIN AMP	-
1	GA5048570	SHCS M5 X 130 ZP GR12.9	12
2	GA5003629	WASHER 5MM SPRING SS	24
3	GA5047726	VALVE SOLENOID J SPOOL 12V 2 PIN AMP CONNECTOR	4
4	GA5017335	VALVE CHECK MODULAR	3
5	GA5047581	HYDRAULIC VALVE, FLOW CONTROL, NG6 A+B, SUIT SPOOL	5
6	GA5047615	PLATE Z2FS6 O-RING	-
7	GA5054410	SHCS M5 X 50 ZP GR12.9	4
8	GA5047734	VALVE CART HYD SOL POPPET 2/2-8-2 CAV 12VDC 2 PIN AMP WITHOUT MANUAL OVERRIDE, BOOM LOWER	1

NOTE: Fitting quantity and fitting types will depend on machine options.

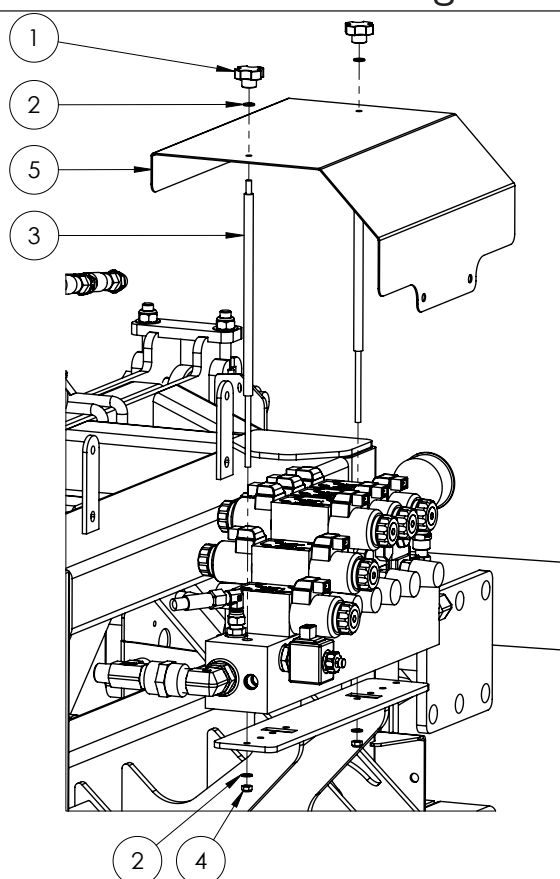
Continues Over Page

36-42m - Spool Valve Block Manifold

ITEM NO.	PART NUMBER	DESCRIPTION	QTY.
9	GA5047759	MANIFOLD, BLANK, 6 STATION SPOOL, BARE	1
10	-	NOT USED	-
11	GA5067050	SHCS M5 X 90 ZP GR12.9	4
12	GA5047627	SEAL KIT, VITON, SUIT CETOP	9
13	GA5047756	VALVE, D SPOOL HYDRAULIC SOLENOID, CENTRE LEVEL, 2 PIN AMP	1
14	GA5047738	VALVE CARTRIDGE, HYDRAULIC, POPPET, SOLENOID, AMP PLUG, 12V DC, NORMALLY CLOSED (USED FOR CLOSED CENTRE SYSTEM)	1
15	GA5047727	VALVE HYDRAULIC, J SPOOL, 12V, SINGLE, 2 PIN AMP CONNECTOR	1

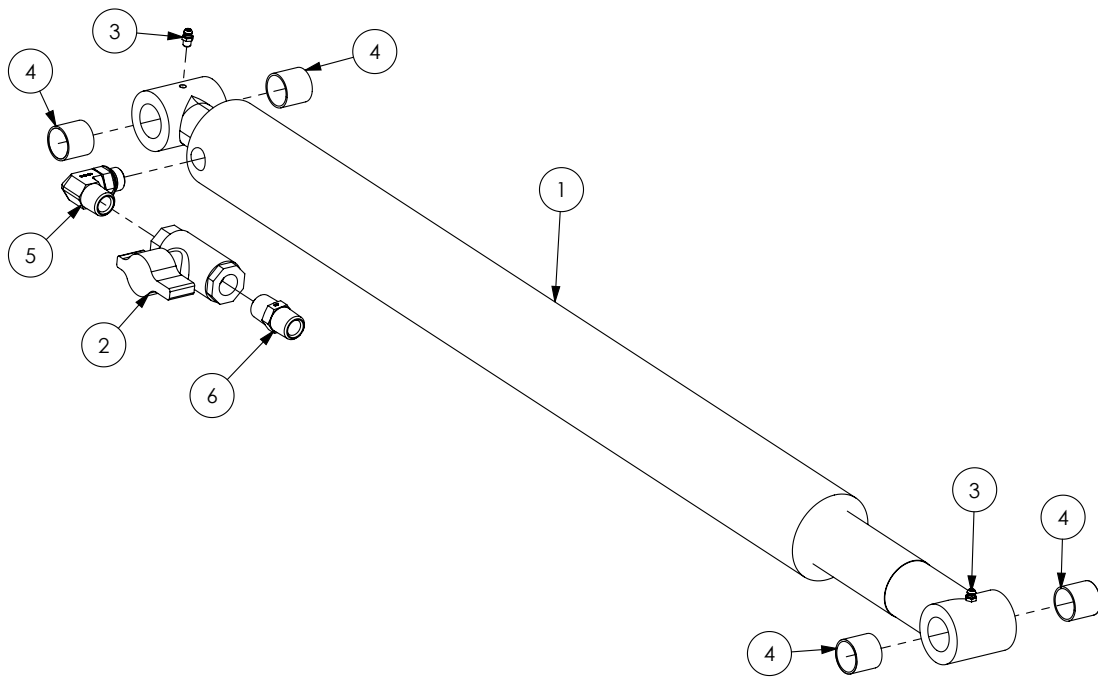
NOTE: Fitting quantity and fitting types will depend on machine options.

36-42m - Spool Valve Block - Mounting



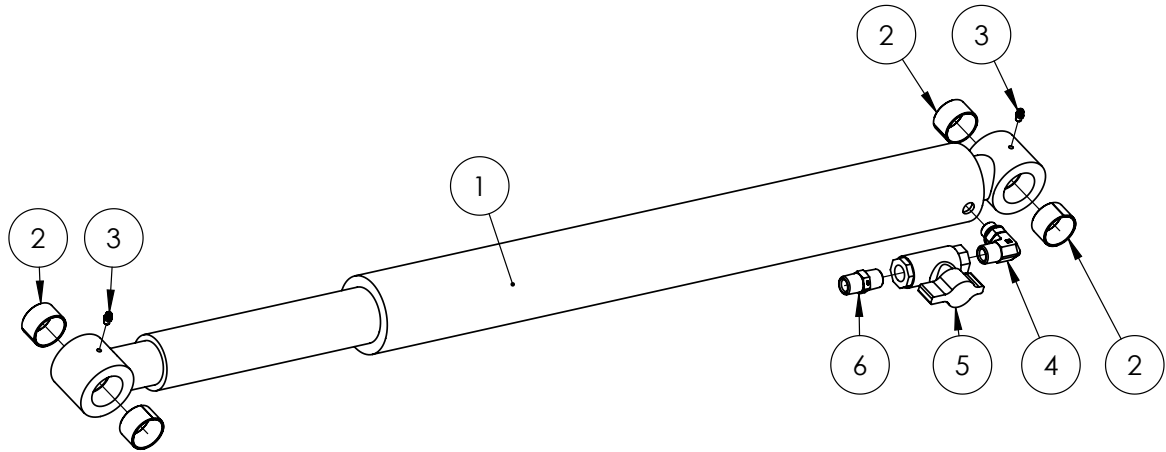
ITEM NO.	PART NUMBER	DESCRIPTION	QTY.
1	GA5069870	KNOB, STAR GRIP, M6 X 32 DIA	2
2	GA5004437	WASHER 6MM FLAT SS	4
3	MACH0035	MOUNTING BOLTS, FOR SOLENOID COVER	2
4	GA5048115	NUT M6 NYLOC ZP	2
5	COMP0013	SPOOL VALVE COVER	1

36-42m Cylinder - Boom Lift



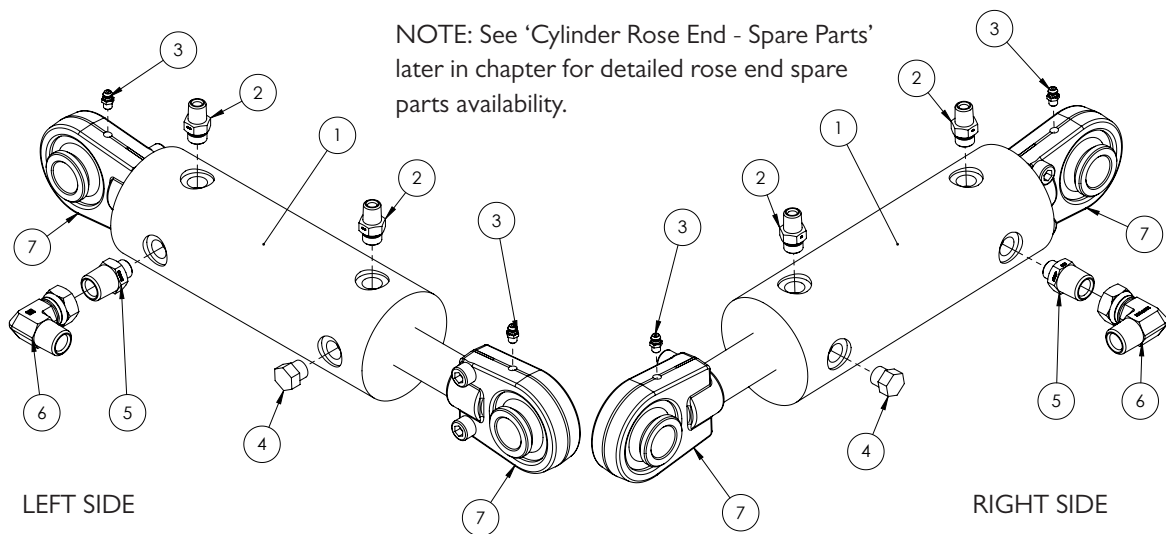
ITEM NO.	PART NUMBER	DESCRIPTION	QTY.
-	GA5055510	KIT, ROD EYE, WELD ON	-
-	GA5052731	SEAL KIT, SUIT 3" BORE X 2 1/2" ROD, SUITS GA5070081, GA5070079, GA3500669, GA3500593, HYPOWER BRAND ONLY	-
-	GA3501665	SEAL KIT, SUIT, HYDRAULIC CYLINDER, GA5070081, "MOTUS" BRAND ONLY	-
1	GA5070081	HYDRAULIC CYLINDER, 3" BORE, 2 1/2" ROD, 26" STROKE, PIN EYE ENDS WITH GLACIER BUSHES AND GREASE NIPPLES	1
2	GA5000835	VALVE, BALL, HYDRAULIC, 1/2" FEMALE THREAD INLET / OUTLET	1
3	GA5012203	GREASE NIPPLE, SHORT, 1/4" UNF	2
4	GA5065487	GLACIER BUSH 1" ID X 1" LONG	4
5	GA3500349	HYDRAULIC ADAPTOR, ELBOW, 90 DEGREE, 1/2" BSPT MALE X 3/4" UN MALE O-RING	1
6	GA3500223	HYDRAULIC ADAPTOR, NIPPLE, 1/2" BSPT MALE X 1/2" BSPT MALE	1

48m Cylinder - Boom Lift



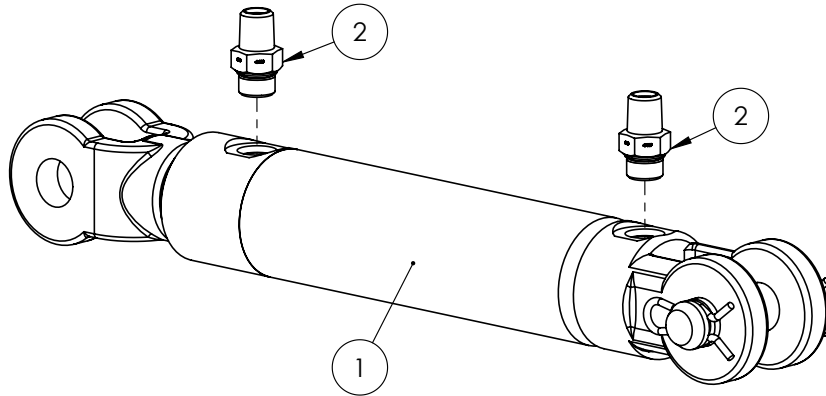
ITEM NO.	PART NUMBER	DESCRIPTION	QTY.
-	GA5052731	SEAL KIT, SUIT 3" BORE X 2 1/2" ROD, SUITS GA5070081, GA5070079, GA3500669, GA3500593, HYPOWER BRAND ONLY	-
-	GA3501576	SEAL KIT, HYDRAULIC CYLINDER, SUIT, GA3500682 & GA3500593, "BICELLI GECO" BRAND ONLY	-
1	GA3500593	HYDRAULIC CYLINDER, DISPLACEMENT, 3" BORE, 2.5" ROD, 26" STROKE SUIT 1.5" PINS	1
2	GA1700027	BEARING, GLACIER BUSH, 1 1/2" ID X 1" LONG	4
3	GA5012203	GREASE NIPPLE, SHORT, 1/4" UNF	2
4	GA3500349	HYDRAULIC ADAPTOR, ELBOW, 90 DEGREE, 1/2" BSPT MALE X 3/4" UN MALE O-RING	1
5	GA5000835	VALVE, BALL, HYDRAULIC, 1/2" FEMALE THREAD INLET / OUTLET	1
6	GA3500223	HYDRAULIC ADAPTOR, NIPPLE, 1/2" BSPT MALE X 1/2" BSPT MALE	1

48m Cylinder - Yaw



ITEM NO.	PART NUMBER	DESCRIPTION	QTY.
-	GA5067605	BEARING, SUIT SCREW ON ROSE END, GEG 30 ES 2RS	4
-	GA5067610	CIRCLIP, SUIT BEARING SCREW ON ROSE END, RTW 55	4
-	GA5021925	SMALL BEARING BUSH, SUIT SCREW ON ROSE END	8
-	GA5052732	SEAL KIT, SUIT 3" BORE X 1 1/4" ROD, SUIT GA5060818, PTE BRAND ONLY	-
-	GA5052680	SEAL KIT, SUIT 3" BORE X 1 1/4" ROD, SUIT GA5018538, GA5018540, GA5060818, HYPOWER BRAND ONLY	-
-	GA3501270	SEAL KIT, SUIT, HYDRAULIC CYLINDER, GA5018540 & GA5060818, "MOTUS", SK300125	-
1	GA5060818	HYDRAULIC CYLINDER, 3" BORE X 1 1/4" ROD X 117.5 MM STROKE, WITH BEARING ENDS	2
2	GA3500358	HYDRAULIC ADAPTOR, NIPPLE, 1/4" BSPT MALE X 9/16" UN MALE O-RING	4
3	GA5012203	GREASE NIPPLE, SHORT, 1/4" UNF	4
4	GA3500380	HYDRAULIC ADAPTOR, PLUG, 9/16" UN MALE O-RING	2
5	GA3500362	HYDRAULIC ADAPTOR, NIPPLE, 1/2" BSPT MALE X 9/16" UN MALE O-RING	2
6	GA3500333	HYDRAULIC ADAPTOR, ELBOW, 90 DEGREE, 1/2" BSPT MALE X 1/2" BSPP FEMALE SWIVEL	2
	GA5052965	BEARING, ROSE END HOUSING, M28 SCREW ON, SUIT HYDRAULIC CYLINDER AND DELTA LINK, NO BUSHES	4
7	GA5052965	BEARING, SCREW ON ROSE END, INC BUSHES, CLIPS	-
	GA5021925	SMALL BEARING BUSH, SUIT SCREW ON ROSE END	-
	GA5067605	BEARING, SUIT SCREW ON ROSE END, GEG 30 ES 2RS	-
	GA5067610	CIRCLIP, SUIT BEARING SCREW ON ROSE END, RTW 55	-

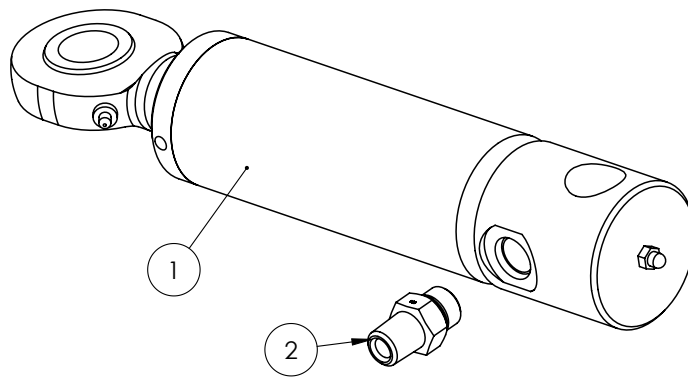
48m Cylinder - Boom Catch Arm



Quantities shown are per side.

ITEM NO.	PART NUMBER	DESCRIPTION	QTY.
1	GA3500601	HYDRAULIC CYLINDER , DOUBLE ACTING, 1.5" BORE, 0.875" ROD, 4" STROKE	1
2	GA3500358	HYDRAULIC ADAPTOR, NIPPLE, 1/4" BSPT MALE X 9/16" UN MALE O-RING	2

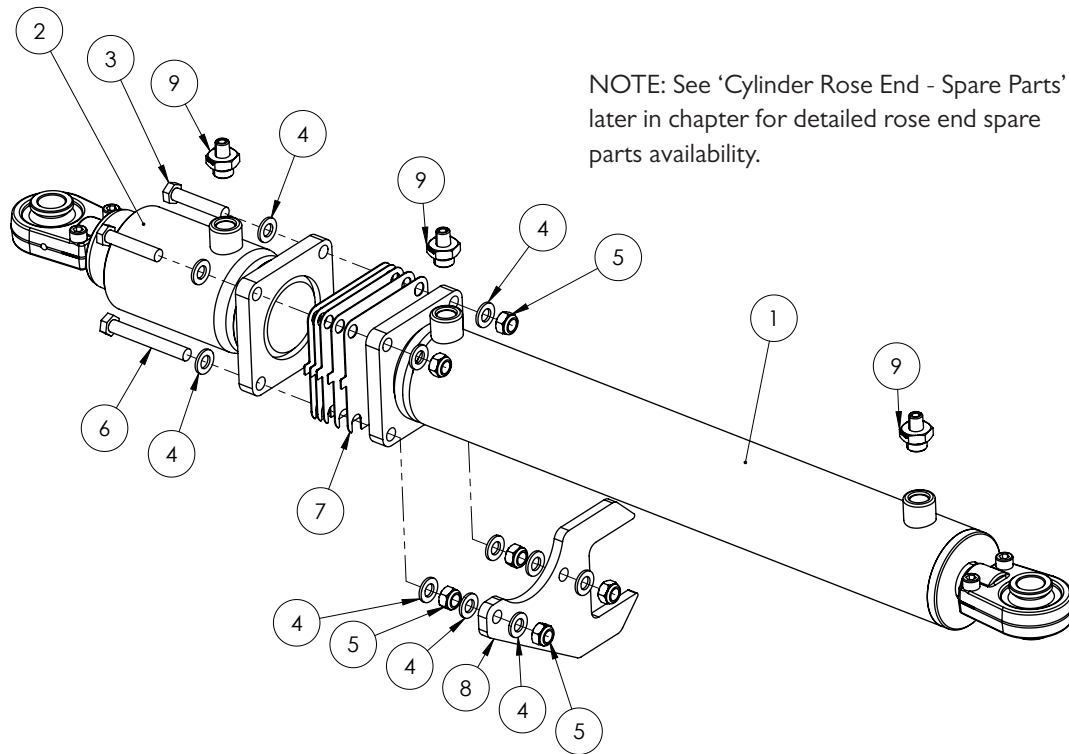
48m Cylinder - Boom Mid Catch



Quantities shown are per side.

ITEM NO.	PART NUMBER	DESCRIPTION	QTY.
-	GA3500671	SEAL KIT, HYDRAULIC CYLINDER, SUIT GA3500480, EUREKA ENGINEERED PRODUCTS	-
1	GA3500480	HYDRAULIC CYLINDER, BORE 1.5", ROD 0.875", STROKE 28MM, DISPLACEMENT, SPRING RETURN	1
2	GA3500358	HYDRAULIC ADAPTOR, NIPPLE, 1/4" BSPT MALE X 9/16" UN MALE O-RING	2

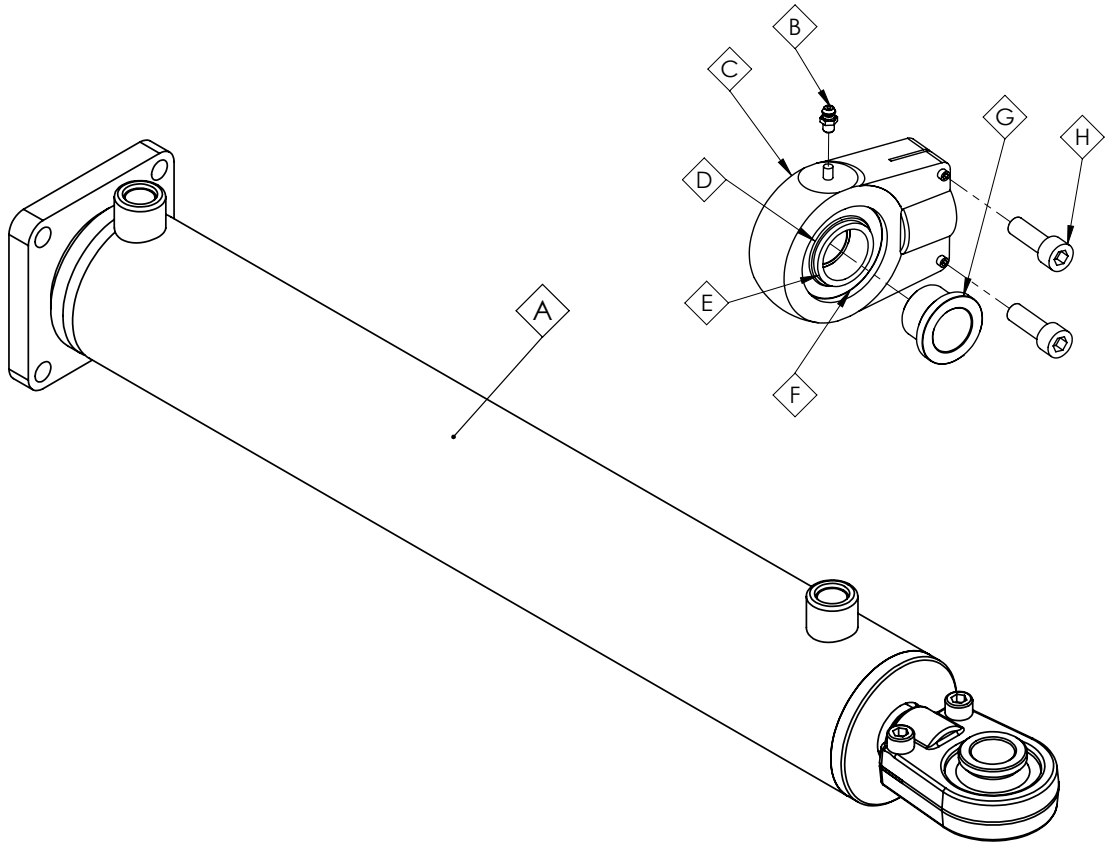
48m Cylinder - First Fold Assembly



Quantities shown are per side.

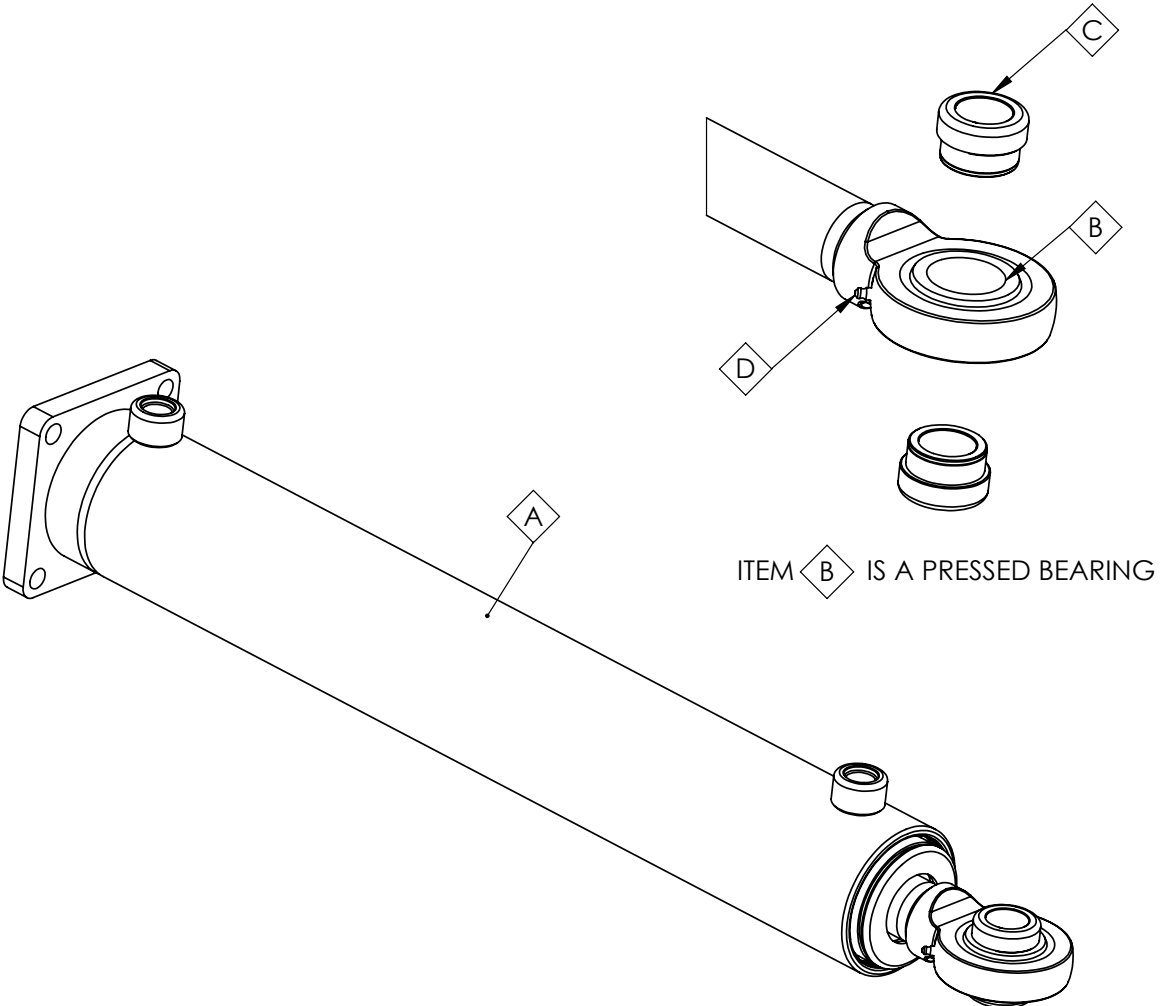
ITEM NO.	PART NUMBER	DESCRIPTION	QTY.
-	GA3500672	SEAL KIT, HYDRAULIC CYLINDER, SUIT GA3500655, EUREKA ENGINEERED PRODUCTS	-
-	GA3500673	SEAL KIT, HYDRAULIC CYLINDER, SUIT GA3500656, EUREKA ENGINEERED PRODUCTS	-
-	GA5067605	BEARING, SUIT SCREW ON ROSE END, GEG 30 ES 2RS	2
-	GA5067610	CIRCLIP, SUIT BEARING SCREW ON ROSE END, RTW 55	2
-	GA5021925	SMALL BEARING BUSH, SUIT SCREW ON ROSE END	4
-	GA5052965	BEARING, ROSE END HOUSING, M28 SCREW ON, SUIT HYDRAULIC CYLINDER AND DELTA LINK, NO BUSHES	2
1	GA3500655	HYDRAULIC CYLINDER, DOUBLE ACTING, 3.25" BORE, 1.25" ROD, FLANGE BASE MOUNT, 1" ROSE END	1
2	GA3500656	HYDRAULIC CYLINDER, DISPLACEMENT (CUSHION), 3.25" BORE, 3" ROD, FLANGE BASE MOUNT, 1" ROSE END	1
3	GA5000347	BOLT M12 X 70 GR8.8 ZP	2
4	GA5000577	WASHER 12MM FLAT SS HD	12
5	GA5012461	NUT M12 NYLOC ZP	6
6	GA5011263	BOLT M12 X 90 GR8.8 ZP	2
7	GA4500975	PLATE, SHIM, 1MM, FOLD CYLINDER, 48M BOOM - SPECIFY QTY. REQUIRED	-
8	GA5073235	ANTI ROTATION BRACKET, HYDRAULIC FOLD CYLINDER	1
9	GA3500359	HYDRAULIC ADAPTOR, NIPPLE, 1/4" BSPT MALE X 3/4" UN MALE O-RING	3

48m Cylinder - First Fold (Old)



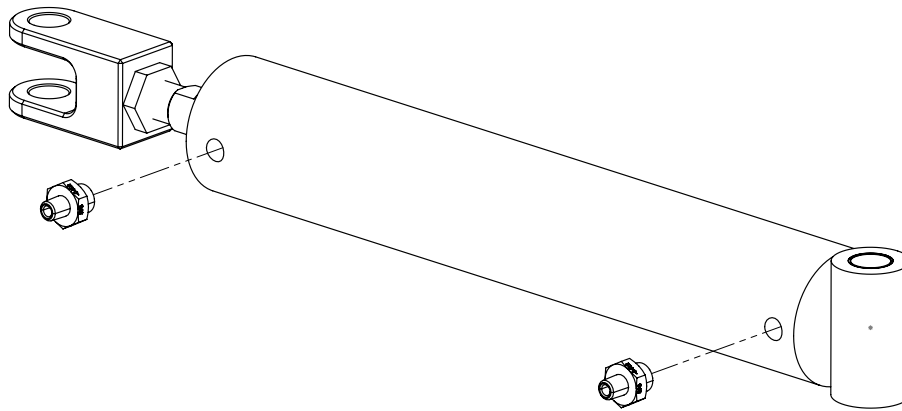
ITEM NO.	PART NUMBER	DESCRIPTION	QTY.
-	GA3500655	HYDRAULIC CYLINDER, DOUBLE ACTING, 3.25" BORE, 1.5" ROD, FLANGE BASE MOUNT, 1" ROSE END	-
A	GA3500672	SEAL KIT, HYDRAULIC CYLINDER, SUIT GA3500655, EUREKA ENGINEERED PRODUCTS	-
B	GA5050450	GREASE NIPPLE, 6mm	-
C	GA5052965	BEARING, ROSE END HOUSING, M28 SCREW ON, SUIT HYDRAULIC CYLINDER & DELTA LINK, INC. BUSHES	-
D	GA5052966	SALES KIT, BEARING KIT, SUIT SCREW ON ROSE END, CYLINDERS AND DELTA LINKS	-
E	GA5067605	BEARING, RADIAL SPHERICAL PLAIN, 30mm ID X 55mm OD X 32mm THICK, GEG 30 ES 2RS	-
F	GA5067610	CIRCLIP, SUIT BEARING SCREW ON ROSE END, RTW 55	-
G	GA5021925	SMALL BEARING BUSH, SUIT SCREW ON ROSE END, HYPOWER, R-10424	-
H	GA5006131	SHCS M10 X 30 SS A2-70	-

48m Cylinder - First Fold (REV-05)



ITEM NO.	PART NUMBER	DESCRIPTION	QTY.
-	GA3500655	HYDRAULIC CYLINDER, DOUBLE ACTING, 3.25" BORE, 1.5" ROD, FLANGE BASE MOUNT, 1" ROSE END	-
A	GA5025907	SEAL KIT, SUIT, HYDRAULIC CYLINDER, "MOTUS" BRAND ONLY, GA3500655	-
B	GA5025896	BEARING SPHERICAL, GE25ES-2RS, SUIT, ROSE END, SK35ES-6000646I	1
C	GA5025991	BUSH, 40X35X25, SUIT, HYDRAULIC CYLINDER "MOTUS", GA3500681	2
D	GA5050450	GREASE NIPPLE, 6mm	1

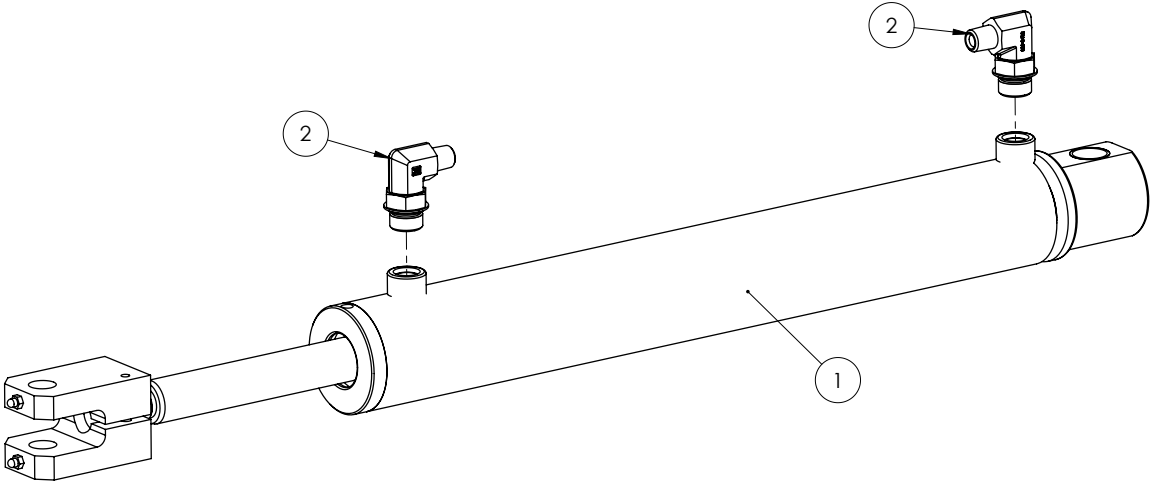
48m Cylinder - Second Fold



Quantities shown are per side.

ITEM NO.	PART NUMBER	DESCRIPTION	QTY.
-	GA5052733	SEAL KIT, SUIT 2 1/2" BORE X 1 1/4" ROD, SUIT GA5070845, GA3500060, HYPOWER BRAND ONLY	-
-	GA3501759	SEAL KIT, SK250125, 2 1/2" X 1 1/4", SUIT, GA3500060, "MOTUS" BRAND ONLY	-
1	GA3500060	HYDRAULIC CYLINDER, BORE 2.5", ROD 1.25", STROKE 400 MM	1
2	GA3500359	HYDRAULIC ADAPTOR, NIPPLE, 1/4" BSPT MALE X 3/4" UN MALE O-RING	2

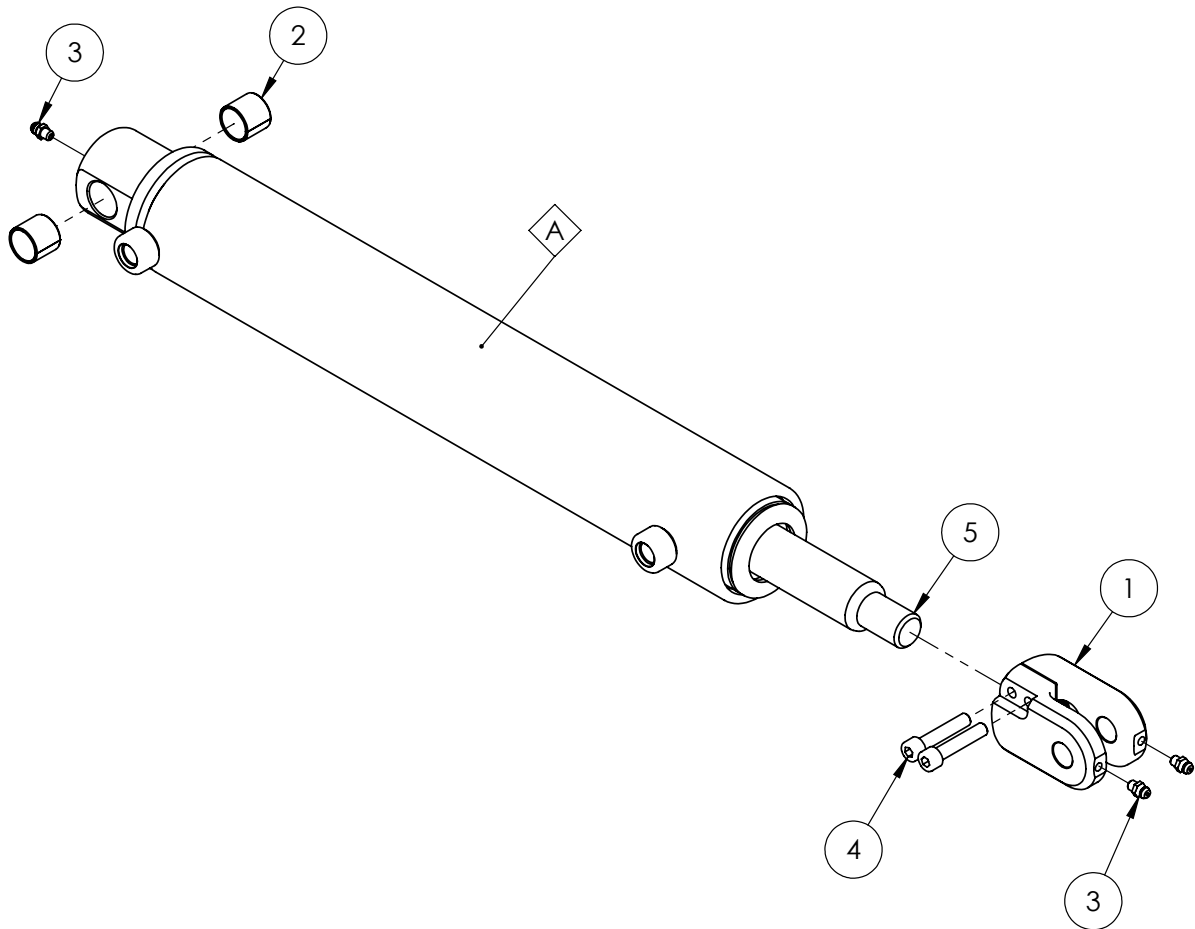
48m Cylinder - Third Fold (Up to S/N 203576)



Quantities shown are per side.

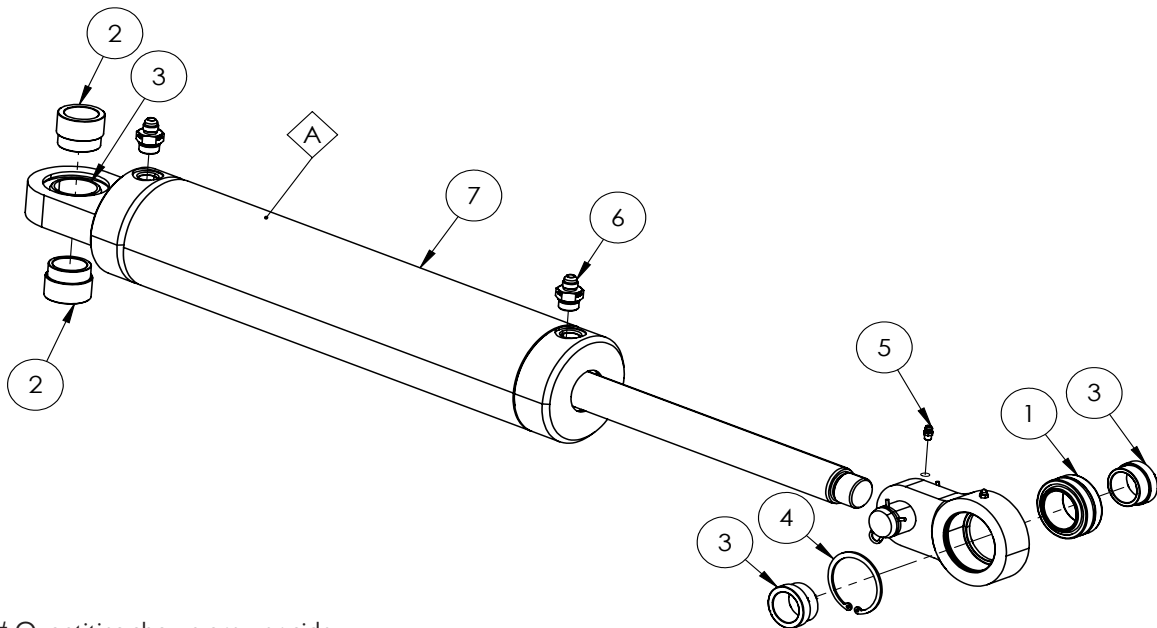
ITEM NO.	PART NUMBER	DESCRIPTION	QTY.
-	GA3500684	SEAL KIT, HYDRAULIC CYLINDER, SUIT GA3500476, EUREKA ENGINEERED BRAND ONLY	-
1	GA3500476	HYDRAULIC CYLINDER, BORE 2", ROD 1", STROKE 395MM, EUREKA ENGINEERING BRAND	1
-	GA3501082	HYDRAULIC CYLINDER, 2.5" X 1.25" X 395MM STROKE, 3RD STAGE FOLD, 48M, FROM S/N 104113 ON	1
2	GA3500348	HYDRAULIC ADAPTOR, ELBOW, 90 DEGREE, 1/4" BSPT MALE X 3/4" UN MALE O-RING	2

48m Cylinder - Third Fold (From S/N 203795)



ITEM NO.	PART NUMBER	DESCRIPTION	QTY.
-	GA3501082	HYDRAULIC CYLINDER, 2.5" X 1.25" X 395MM STROKE, 3RD STAGE FOLD, 48M	1
A	GA3501584	SEAL KIT, SUIT, HYDRAULIC CYLINDER, GA3501082, "MOTUS" BRAND	-
1	GA3501886	CLEVIS, SUIT, HYDRAULIC CYLINDER, "MOTUS", GA3501082	1
2	GA3501888	GLACIER BUSH 20 X 23 X 20W	2
3	GA5050450	GREASE NIPPLE, 6MM	3
4	GA5011487	SHCS M8 X 40 GR 12.9 ZP	2
5	GA3501885	SHAFT, 1.25", SUIT, HYDRAULIC CYLINDER, "MOTUS" BRAND ONLY, GA3501082	1

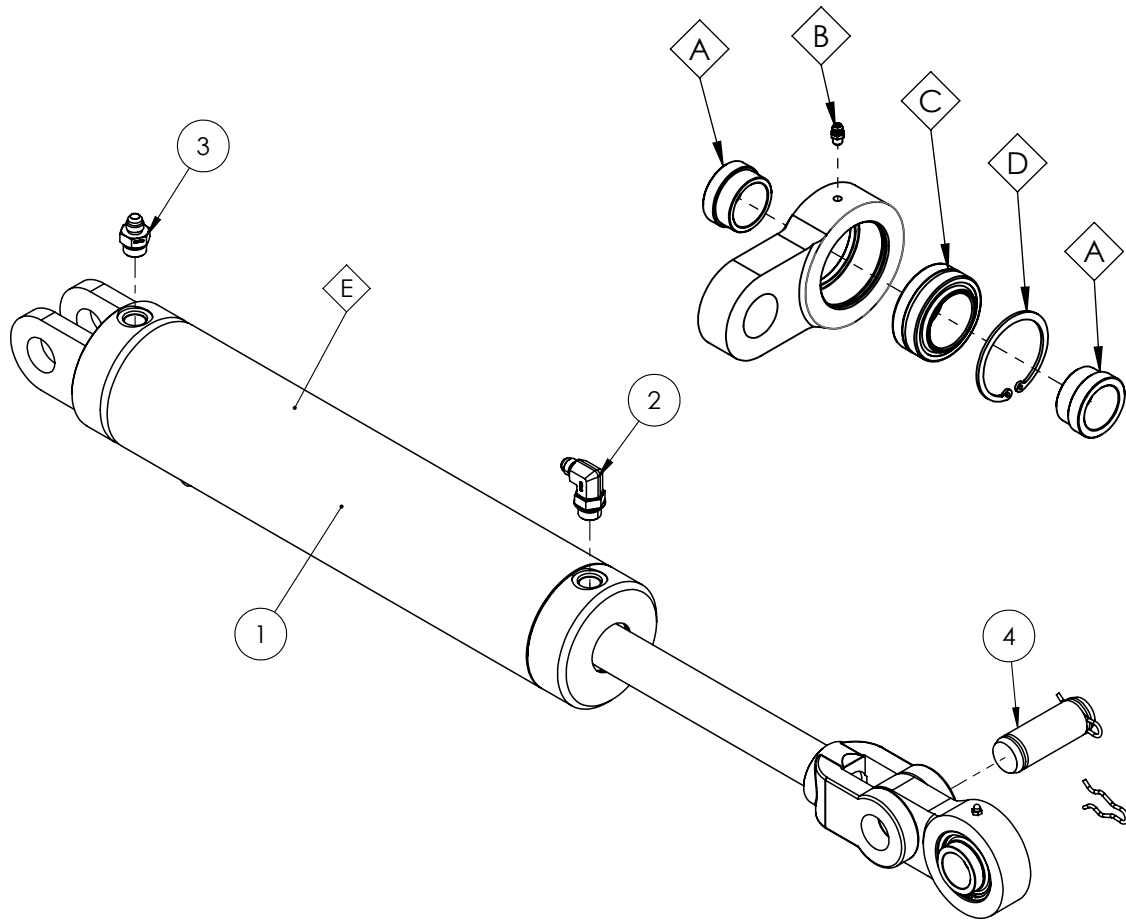
48m Cylinder - Boom Tilt (Eureka - Up To S/N 204032)



Quantities shown are per side.

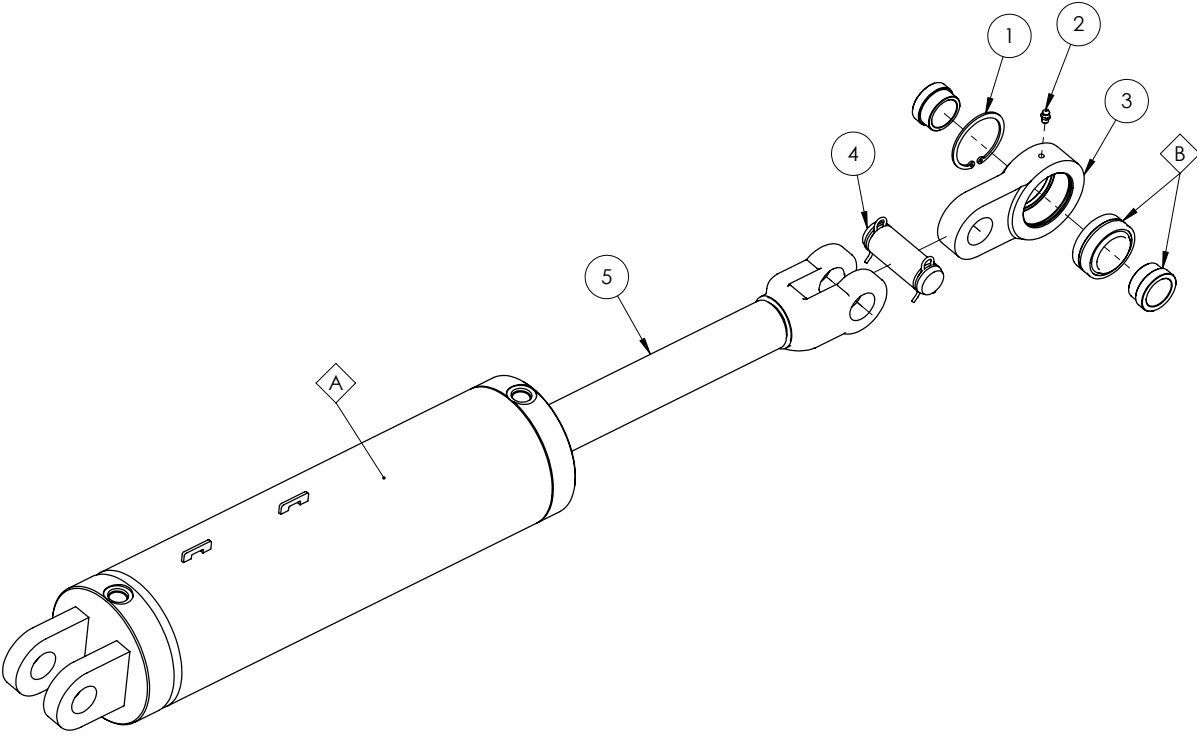
ITEM NO.	PART NUMBER	DESCRIPTION	QTY.
A	GA3500669	SEAL KIT, HYDRAULIC CYLINDER, SUIT GA3500478, EUREKA ENGINEERED PRODUCTS	-
1	GA1700029	BEARING, BALL END, 40MM, GE40ES-2RS	1
2	GA4551640	BUSH, SPACER, BALL END, BASE, TILT CYLINDER	2
3	GA4551645	BUSH, SPACER, BALL END, ROD, TILT CYLINDER	2
4	GA5010573	CIRCLIP, INTERNAL, SUIT 55MM BORE	1
5	GA5012203	GREASE NIPPLE, SHORT, 1/4 UNF, MACH0207	2
6	GA3500147	HYDRAULIC ADAPTOR, NIPPLE, 9/16" JIC MALE X 3/4" UN MALE O-RING, S90-0912	2
7	GA3500478	HYDRAULIC CYLINDER, BORE 4", ROD 1.5", STROKE 200MM	1

48m Cylinder - Boom Tilt (Motus - Up To S/N 204032)



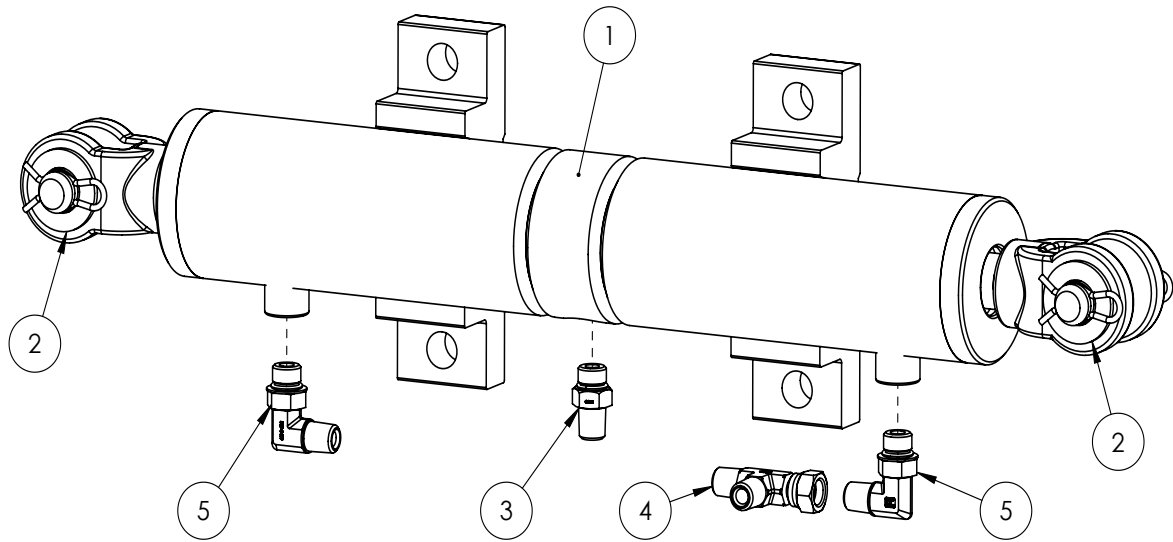
ITEM NO.	PART NUMBER	DESCRIPTION	QTY.
A	GA4551645	BUSH, SPACER, BALL END, ROD, TILT CYLINDER	2
B	GA5012203	GREASE NIPPLE, SHORT, 1/4 UNF, MACH0207	1
C	GA1700029	BEARING, BALL END, 40mm, GE40ES-2RS	1
D	GA5078782	CIRCLIP 62 INTERNAL	1
E	GA3501148	SEAL KIT, HYDRAULIC TILT CYLINDER, GA3500835	-
1	GA3500835	HYDRAULIC CYLINDER, BORE 4", ROD 1.5", STROKE 300mm	1
2	GA3500700	HYDRAULIC ADAPTOR, ELBOW, 90 DEGREE, 9/16" JIC MALE X 3/4" UN MALE O-RING, S91-0912	1
3	GA3500147	HYDRAULIC ADAPTOR, NIPPLE, 9/16" JIC MALE X 3/4" UN MALE O-RING, S90-0912	1
4	GA4551875	PIN, 1 1/4" X 68mm LONG, TILT CYLINDER KNUCKLE	1

48m Cylinder - Boom Tilt - 2" Shaft (From To S/N 204098)



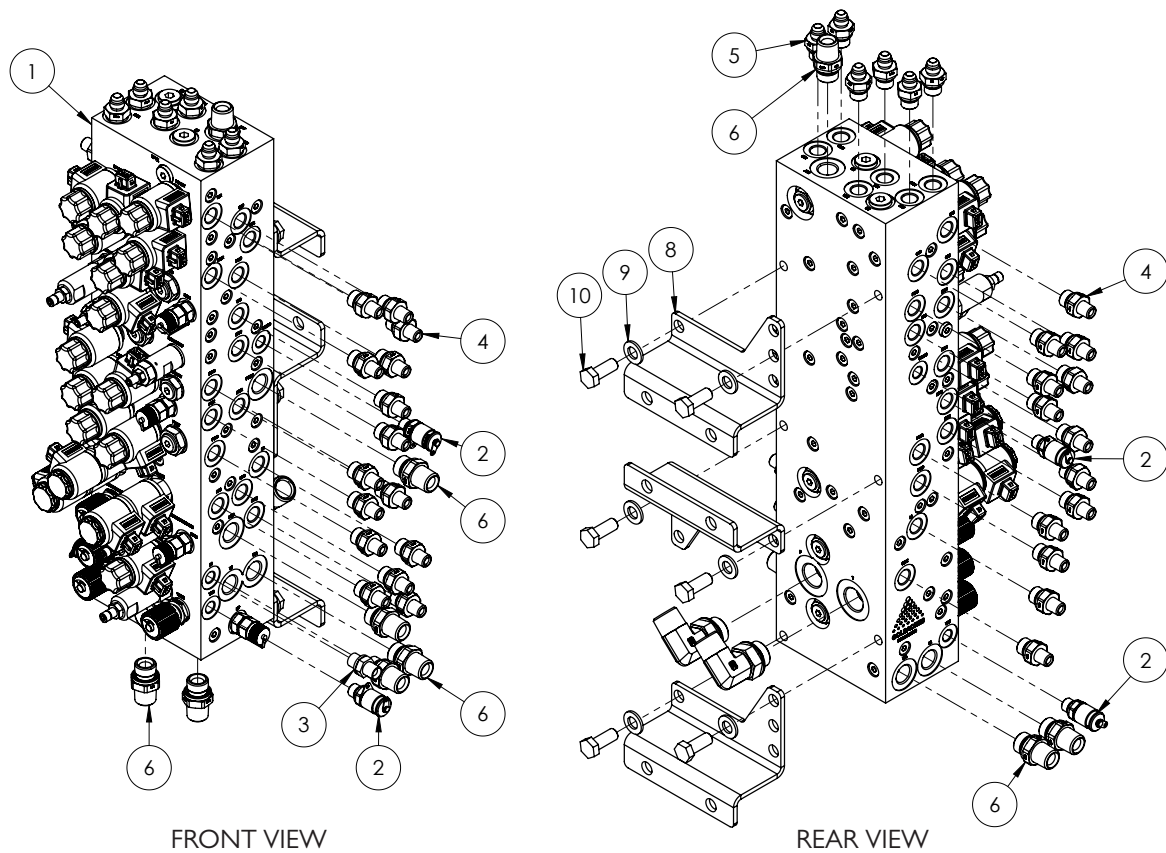
ITEM NO.	PART NUMBER	DESCRIPTION	QTY.
A	GA5026270	SEAL KIT, SUIT, HYDRAULIC CYLINDER, GA3501852, "EUREKA ENG" BRAND ONLY	-
B	GA5026281	KIT, BUSH & BEARING, WITH CIRCLIP, SUIT, 'EUREKA BRAND' GA3501852	-
1	GA5078782	CIRCLIP 62 INTERNAL	1
2	GA5012203	GREASE NIPPLE, SHORT, 1/4 UNF, MACH0207	1
3	GA5026257	HOUSING, TOGGLE, "EUREKA ENG", SUITS, GA3501852	1
4	GA5026282	PIN, 1.25", WITH CLIPS, SUIT, HYDRAULIC CYLINDER, GA3501852	1
5	GA5026255	SHAFT, 2" X 300mm, "EUREKA ENG", SUIT, GA3501852	1

48m Cylinder - Centre Leveling



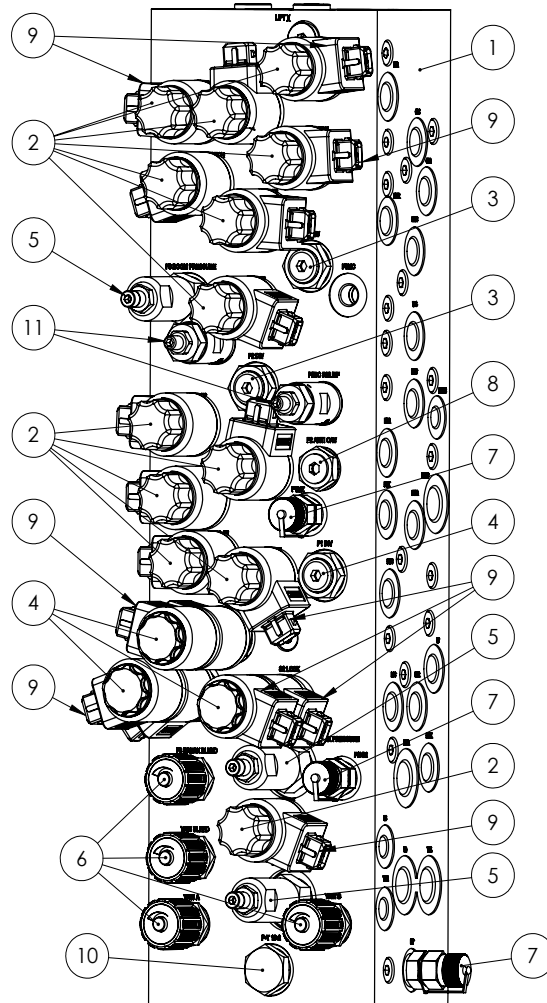
ITEM NO.	PART NUMBER	DESCRIPTION	QTY.
-	GA3501580	SEAL KIT, HYDRAULIC CYLINDER, GA3500477, "BICELLI GECO" BRAND ONLY, 6325.SK	-
1	GA3500477	HYDRAULIC CYLINDER, CENTRE LEVEL	1
2	GA5001741	WASHER 20MM FLAT SS HD	4
3	GA3500359	HYDRAULIC ADAPTOR, NIPPLE, 1/4" BSPT MALE X 3/4" UN MALE O-RING	1
4	GA3500199	HYDRAULIC ADAPTOR, TEE, 1/4" BSPT MALE X 1/4" BSPT MALE X 1/4" BSPP FEMALE	1
5	GA3500347	HYDRAULIC ADAPTOR, ELBOW, 90 DEGREE, 1/4" BSPT MALE X 9/16" UN MALE O-RING	2

48m Hydraulic Control Manifold, (Mounting & Adaptors)



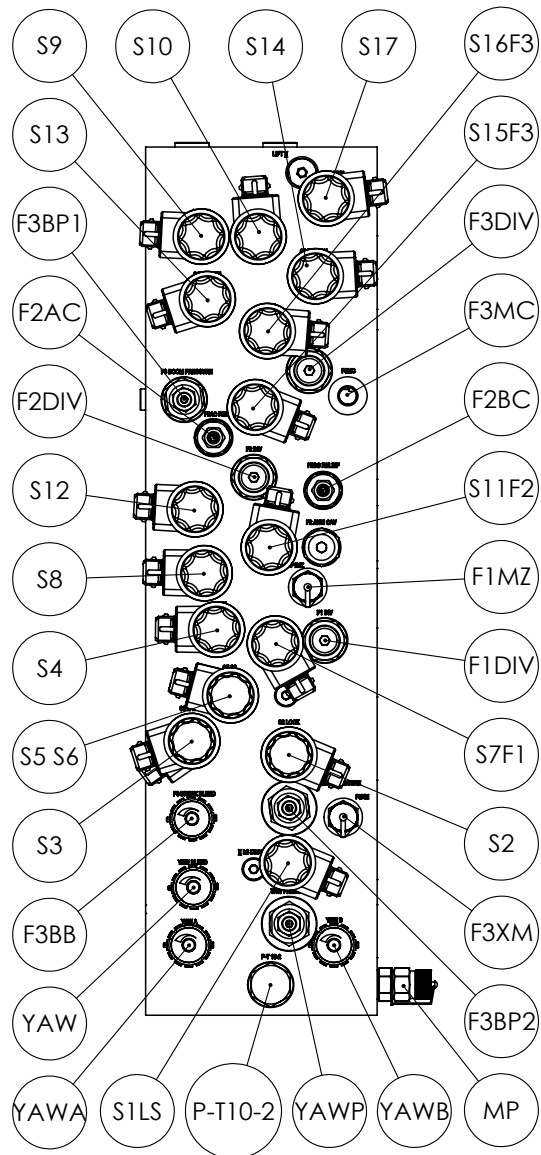
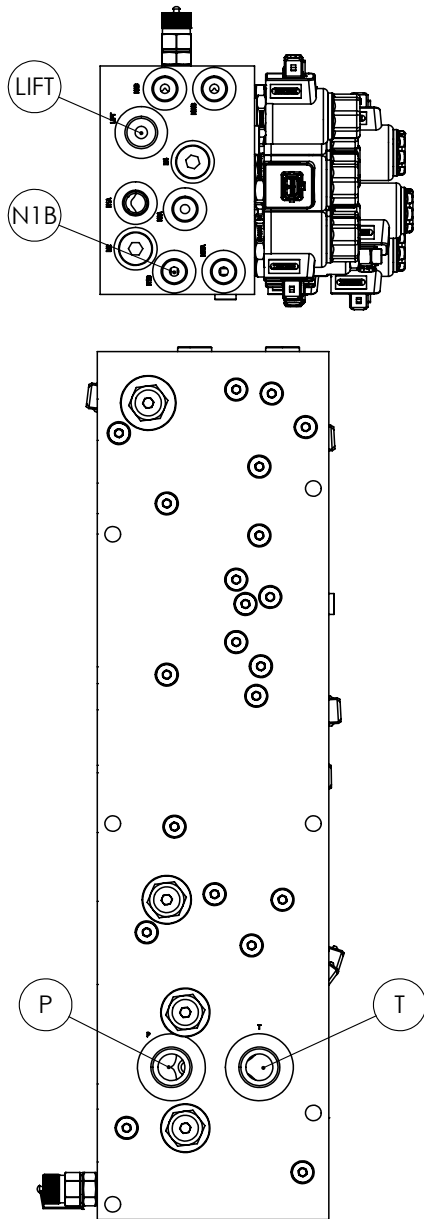
ITEM NO.	PART NUMBER	DESCRIPTION	QTY.
1	GA3500603	HYDRAULIC CONTROL MANIFOLD, 48M BOOM	1
2	GA3500133	HYDRAULIC COUPLING, EASY TEST POINT, 1/4" BSPP	4
3	GA3500306	HYDRAULIC ADAPTOR, NIPPLE, 1/4" BSPT MALE X 1/4" BSPP MALE	1
4	GA3500307	HYDRAULIC ADAPTOR, NIPPLE, 1/4" BSPT MALE X 3/8" BSPP MALE	28
5	GA3500145	HYDRAULIC ADAPTOR, NIPPLE, 3/8" BSPP MALE X 9/16" JIC MALE	6
6	GA3500310	HYDRAULIC ADAPTOR, NIPPLE, 1/2" BSPT MALE X 1/2" BSPP MALE	9
7	GA3500325	HYDRAULIC ADAPTOR, ELBOW, 90 DEGREE, 3/4" BSPT MALE X 3/4" BSPP MALE O-RING	2
8	GA4403645	PLATE, BRACKET, HYDRAULIC MANIFOLD BLOCK	3
9	GA5000577	WASHER 12MM FLAT SS HD	6
10	GA5000305	SET SCREW M12 X 30 GR.8 ZP	6

48m Hydraulic Control Manifold, (Cartridges & Coils)



ITEM NO.	PART NUMBER	DESCRIPTION	QTY.
1	GA3500603	HYDRAULIC CONTROL MANIFOLD, 48M BOOM, 9 CIRCUIT, HYDAC	1
2	GA3500935	HYDRAULIC CARTRIDGE, POPPET VALVE, HYDAC, WSM06020W-01-C-N-0	13
3	GA3500934	HYDRAULIC CARTRIDGE, FLOW DIVIDER, HYDAC, ST10-01-C-N-11, 562884	3
4	GA3501808	HYDRAULIC FLOW DIVIDER/COMBINER, HYDAC, ST10-01-C-N-22, 562885	1
5	GA3501669	PRESSURE REDUCING VALVE, HYDAC, SCREW-IN CARTRIDGE, 3120534	3
6	GA3501671	HYDRAULIC NEEDLE VALVE, HYDAC, DV5E-01-X, 710300	4
7	GA3501672	TEST PORT, HYDRAULIC, HYDAC, ISO-228-G 1/4", 680107	3
8	GA3501673	HYDRAULIC CARTRIDGE, DIRECT ACTING, POPPET, HYDAC, RV08A-01-C-N-05, 560084	5
9	GA5056515	COIL, 12V DC, HYDAC, 12DN-40-1836, 3012600	19
10	GA3501674	HYDRAULIC CAVITY PLUG, HYDAC, FP102-0-N, 3014157	1
11	GA3501675	RELIEF VALVE POPPET. DIRECT ACTING, DB4E-01X-250V, 716143	2

48m Hydraulic Control Manifold - (Function Table)



ITEM NO.	DESCRIPTION
S1LS	HYDRAULIC YAW
S2	CENTRE LOCK
S3	BOOM LATCH
S4	FIRST STAGE FOLD - RETURN
S5 S6	BOOM OPERATIONS (MASTER)
S7F1	FIRST STAGE FOLD - RIGHT HAND SIDE
S8	FIRST STAGE FOLD - LEFT HAND SIDE
S9	BOOM TILT - RIGHT HAND SIDE
S10	BOOM TILT - LEFT HAND SIDE

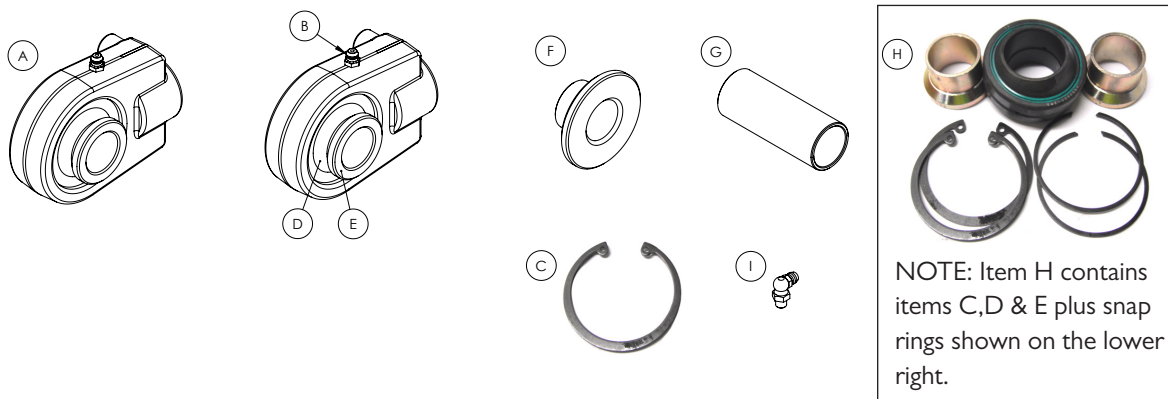
ITEM NO.	DESCRIPTION
S11F2	SECOND STAGE FOLD - RIGHT HAND SIDE
S12	SECOND STAGE FOLD LEFT HAND SIDE
S13	BOOM CATCH - RIGHT HAND SIDE
S14	BOOM CATCH - LEFT HAND SIDE
S15F3	THIRD STAGE FOLD - RIGHT HAND SIDE
S16F3	THIRD STAGE FOLD - LEFT HAND SIDE

Continues Over Page

48m Hydraulic Control Manifold - (Function Table)

ITEM NO.	DESCRIPTION	ITEM NO.	DESCRIPTION
S17	BOOM LIFT	F3MC	THIRD STAGE FOLD ACCUMULATOR
F1DIV	FIRST STAGE FOLD FLOW DIVIDER	F3XM	THIRD STAGE FOLD TEST PORT
F1MZ	FIRST STAGE FOLD TEST PORT	LIFT	LIFT CYLINDERS
F2AC	SECOND STAGE FOLD - RIGHT HAND SIDE PRESSURE RELIEF	N1B	RAVEN ULTRAGLIDE XRT
F2BC	SECOND STAGE FOLD - LEFT HAND SIDE PRESSURE RELIEF	MP	TEST PORT
F2DIV	SECOND STAGE FOLD FLOW DIVIDER	P-T10-2	RAVEN ULTRAGLIDE XRT
F3BB	THIRD STAGE FOLD BREAK BLEED	YAW	YAW BLEED
F3BP1	THIRD STAGE FOLD BOOM PRESSURE	YAW A	YAW CONTROL - RIGHT HAND SIDE
F3BP2	THIRD STAGE FOLD BREAK PRESSURE	YAW B	YAW CONTROL - LEFT HAND SIDE
F3DIV	THIRD STAGE FOLD FLOW DIVIDER	YAW P	YAW PRESSURE
		P	RAVEN ULTRAGLIDE XRT - LEFT HAND SIDE
		T	RAVEN ULTRAGLIDE XRT - RIGHT HAND SIDE

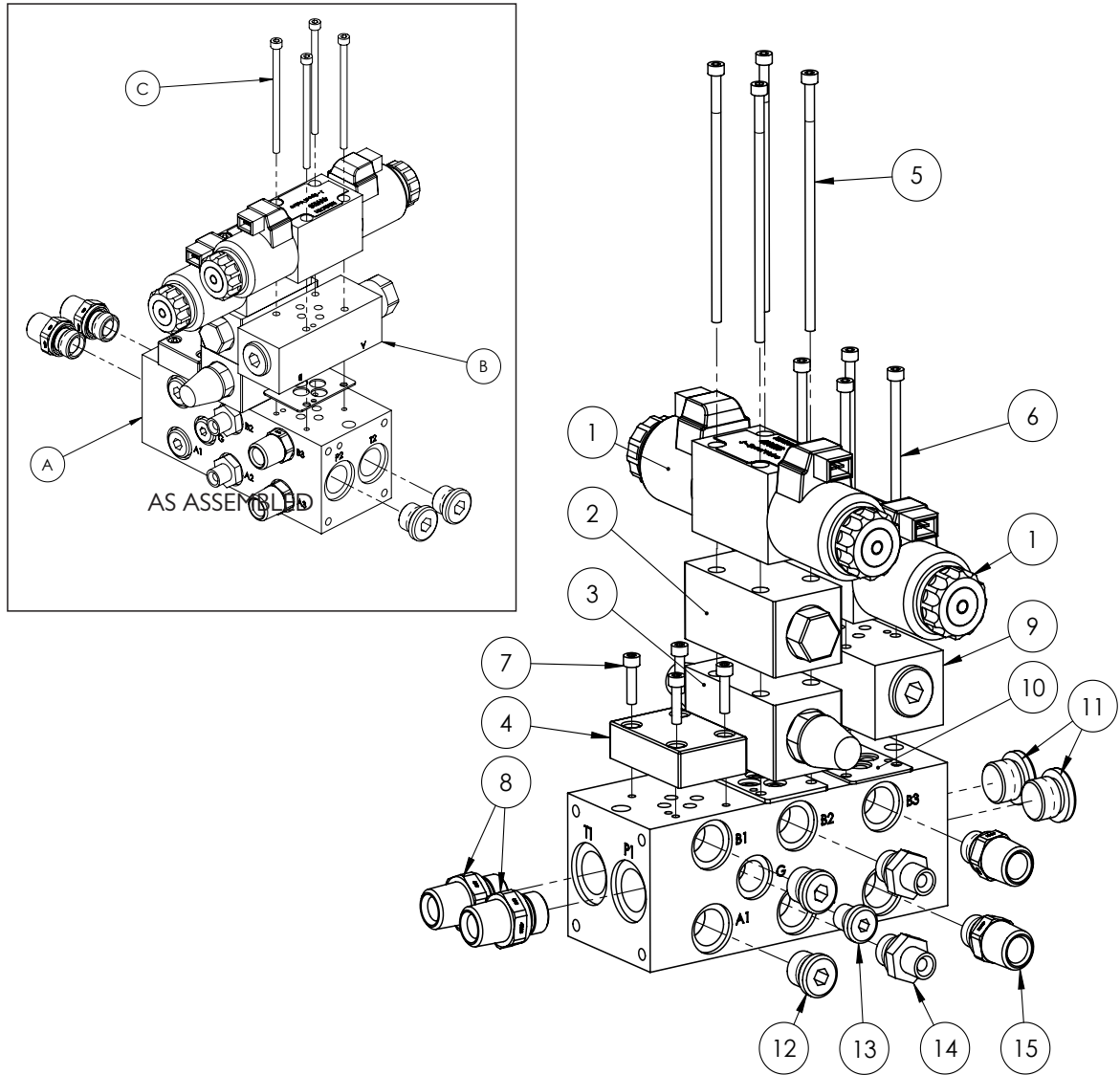
Cylinder Rose End - Spare Parts



ITEM NO.	PART NUMBER	DESCRIPTION	QTY.
A	GA5052965	COMPLETE ROSE END, M28 SCREW ON, SUIT HYDRAULIC CYLINDER & DELTA LINK, INCLUDING BUSHES (ITEM E)	1
B	GA5012203	GREASE NIPPLE, SHORT, 1/4" UNF	1
C	GA5067610	CIRCLIP, SUIT BEARING SCREW ON ROSE END, RTW 55	2
D	GA5067605	BEARING, SUIT SCREW ON ROSE END, GEG 30 ES 2RS	1
E	GA5021925	SMALL BEARING BUSH, SUIT SCREW ON ROSE END, HYPOWER, R-10424	2
F	GA5021930	LARGE BEARING BUSH, SUIT SCREW ON ROSE END, HYPOWER, R-10429	2
G	GA4572535	BUSH, ROSE END PIVOT WIDE SUIT TILT RAM	1
H	GA5052966	BEARING KIT, SUIT SCREW ON ROSE END, CYLINDERS AND DELTA LINKS	1
I	GA5009637	GREASE NIPPLE, ELBOW, 90 DEGREE, 1/4" UNF MALE	1

NOTE: Quantities shown represent the number of parts needed per rose end and depend on your configuration e.g. the rose end will have either 2x Item E or 2x Item F but not both.

Boom Rest & Fill Pump Hydraulic Block



NOTE: Fitting quantity and fitting types will depend on machine options.

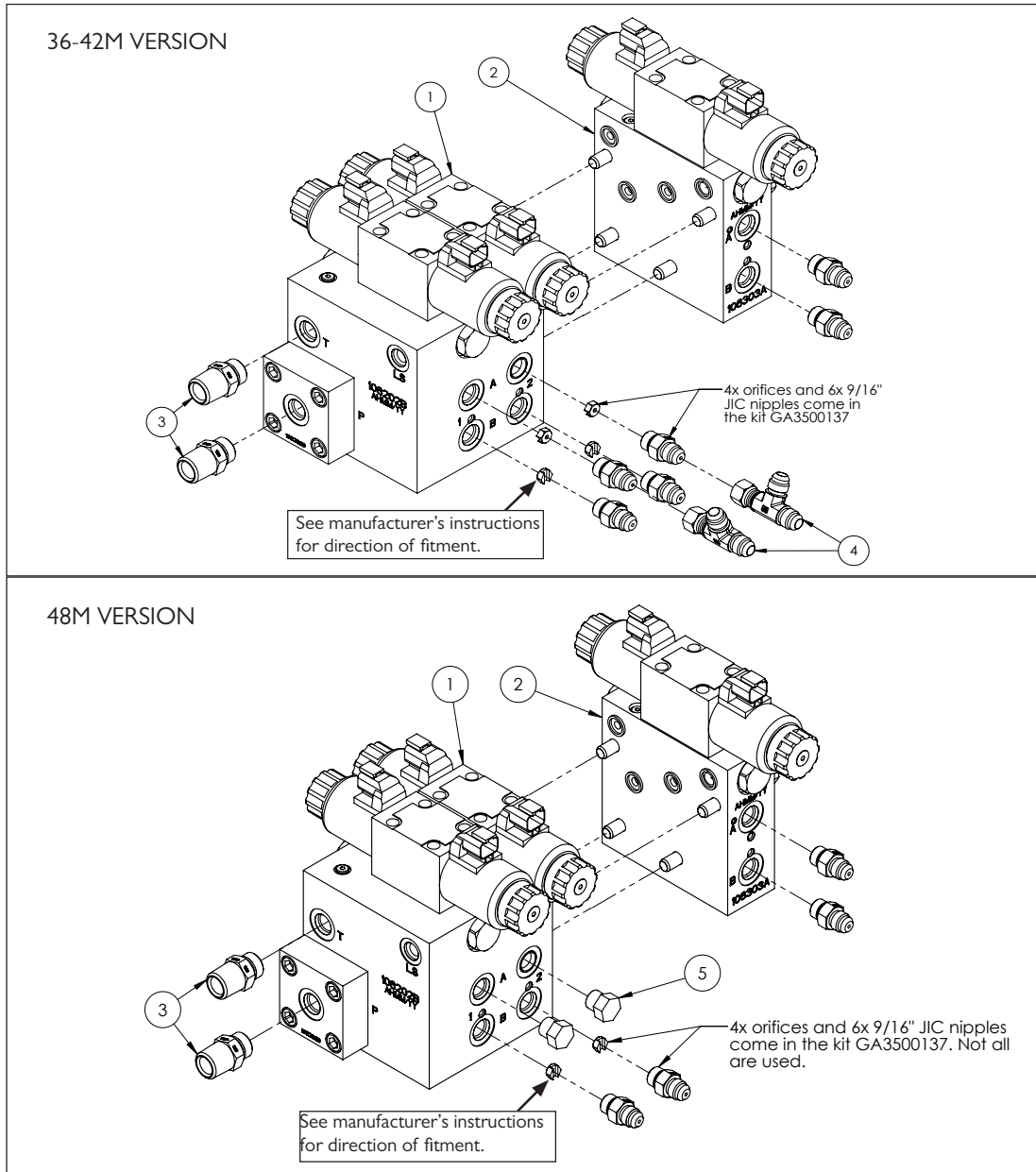
ITEM NO.	PART NUMBER	DESCRIPTION	QTY.
-	GA5047750	SOLENOID COIL, 12V DC, SLIP ON, 2 PIN AMP	-
-	GA5047627	SEAL KIT, O-RING, VITON, SUIT CEE TOP 3, BOSCH	-
A	GA4903747	HYDRAULIC BLOCK, BOOM REST & FILL PUMP	1
B	GA5047583	VALVE PRESSURE FLOW COMP STACKABLE	1
C	GA5067050	SHCS M5 X 90 GR12.9 ZP	4
1	GA5047726	VALVE SOLENOID J SPOOL 12V 2 PIN AMP CONNECTOR, BOSCH	2
2	GA5017335	VALVE CHECK MODULAR	1
3	GA5047581	HYDRAULIC VALVE, FLOW CONTROL, NG6 A+B, SUIT SPOOL	1
4	GA5047335	PLATE BLANKING MS-P6/314128680	1
5	GA5048570	SHCS M5 X 130 GR12.9 ZP	4
6	GA5067050	SHCS M5 X 90 GR12.9 ZP	4

Continues Over Page

Boom Rest & Fill Pump Hydraulic Block

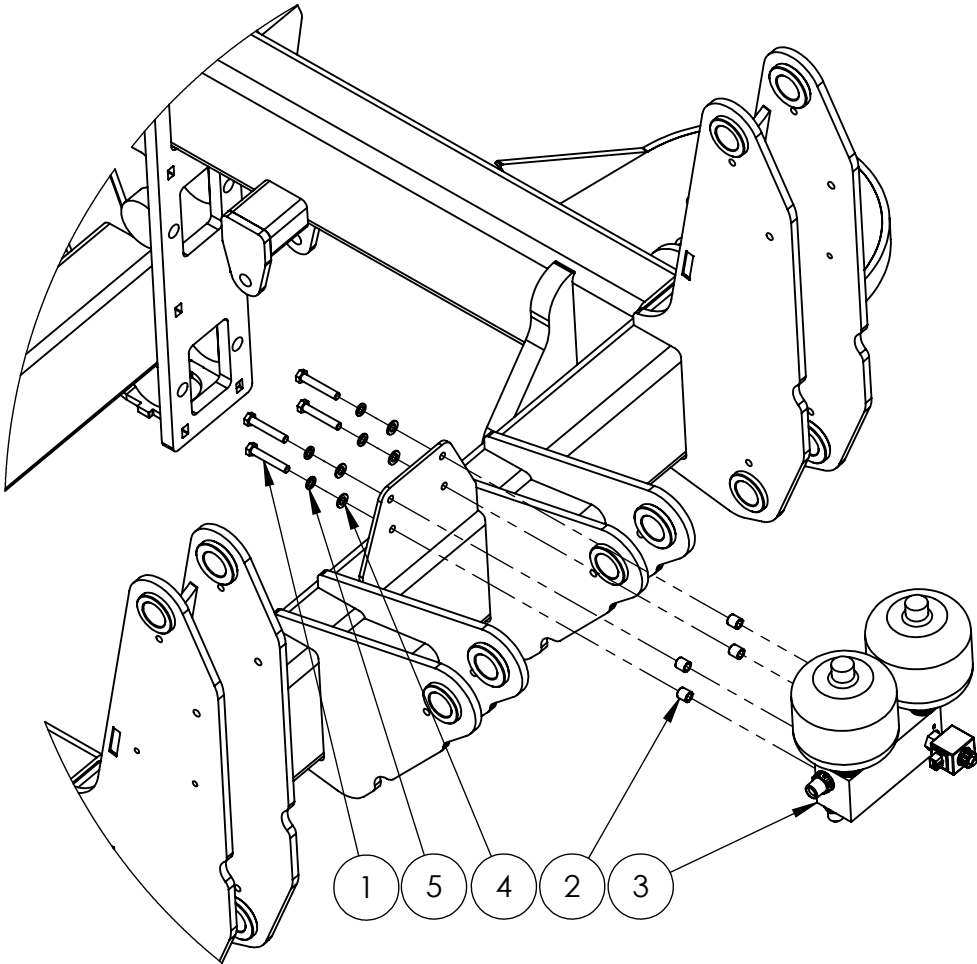
ITEM NO.	PART NUMBER	DESCRIPTION	QTY.
7	GA5003581	SHCS M5 X 20 SS A2-70	4
8	GA3500310	HYDRAULIC ADAPTOR, NIPPLE, 1/2" BSPT MALE X 1/2" BSPP MALE	2
9	GA5047583	VALVE PRESSURE FLOW COMP STACKABLE	1
10	GA5047615	O-RING RETAINING PLATE WITH O-RINGS	2
11	GA3500301	HYDRAULIC ADAPTOR, PLUG, 1/2" BSPP MALE	2
12	GA3500300	HYDRAULIC ADAPTOR, PLUG, 3/8" BSPP MALE	2
13	GA3500299	HYDRAULIC ADAPTOR, PLUG, 1/4" BSPP MALE	1
14	GA3500307	HYDRAULIC ADAPTOR, NIPPLE, 1/4" BSPT MALE X 3/8" BSPP MALE	2
15	GA3500309	HYDRAULIC ADAPTOR, NIPPLE, 1/2" BSPT MALE X 3/8" BSPP MALE	2

NORAC Valve Block



ITEM NO.	PART NUMBER	DESCRIPTION	QTY.
-	GA3500137	HYDRAULIC FITTING KIT, 12 PARTS, GNI, NORAC	-
1	GA3500164	VALVE BLOCK, 2 STATION ASSEMBLY, CLOSED CENTRE, LOAD SENSE, DT 4 BOLT	1
2	GA3500139	VALVE BLOCK, EXPANSION ASSEMBLY, DPOC PROP DT 4 BOLT, NORAC	1
3	GA3500363	HYDRAULIC ADAPTOR, NIPPLE, 1/2" BSPT MALE X 3/4" UN MALE O-RING	2
4	GA3500144	HYDRAULIC ADAPTOR, TEE, 9/16" JIC MALE X 9/16" JIC MALE X 9/16" JIC FEMALE SWIVEL	2
5	GA3500380	HYDRAULIC ADAPTOR, PLUG, 9/16" UN MALE O-RING	2

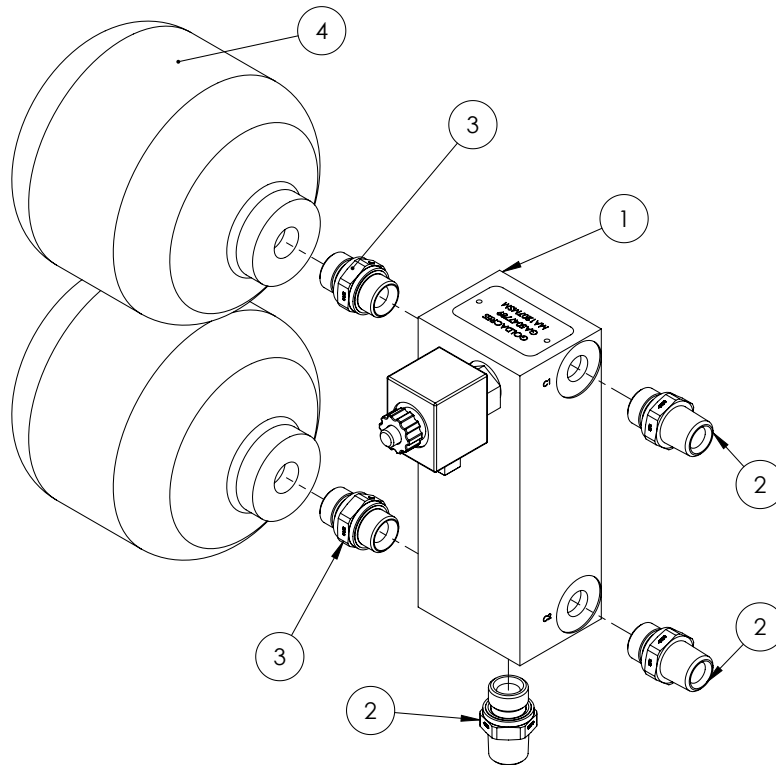
Boom Lift Accumulator Lockout - Mounting



ITEM NO.	PART NUMBER	DESCRIPTION	QTY.
1	GA5011175	BOLT M10 X 60 GR8.8 ZP	4
2	GA4552075	CRUSH TUBE, 10.2 ID X 15 OD X 15 LONG	4
3	GA4906723	HYDRAULIC MANIFOLD ASSEMBLY, ACCUMULATOR MANIFOLD	1
4	GA5000117	WASHER 10MM FLAT SS HD	4
5	GA5000137	WASHER 10MM SPRING SS	4

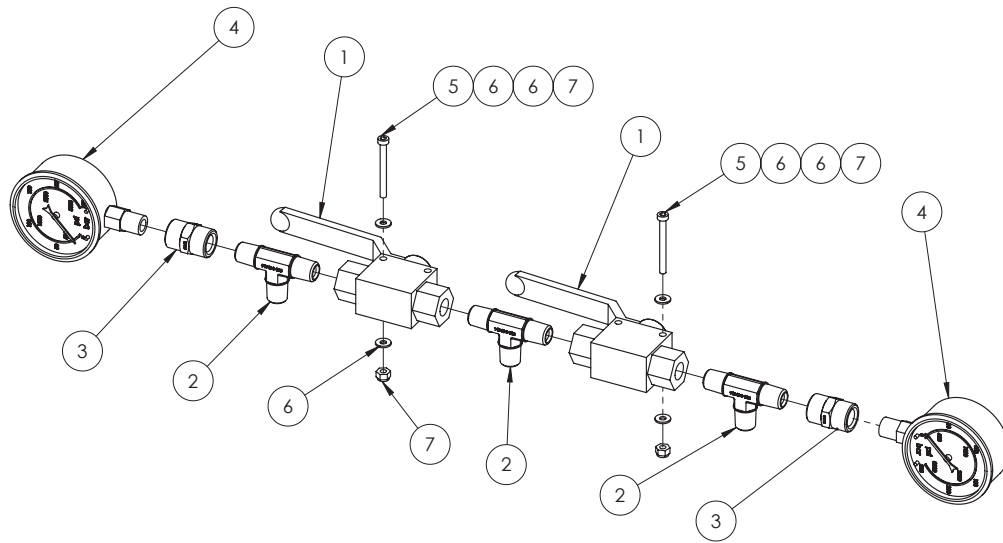
* Sub-assembly on following page

Boom Lift Accumulator Lockout



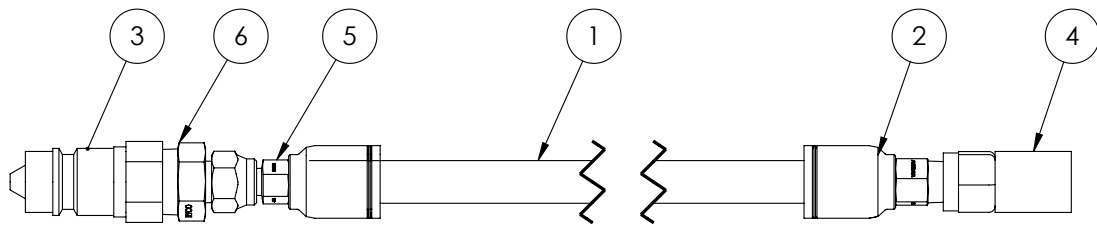
ITEM NO.	PART NUMBER	DESCRIPTION	QTY.
-	GA5047730	VALVE CARTRIDGE HYD SOL POPPET NC-12V WITH OVERRIDE PLUS BODY	-
1	GA5047789	MANIFOLD, HYDRAULIC, ACCUMULATOR LOCKOUT MY14	1
2	GA3500310	HYDRAULIC ADAPTOR, NIPPLE, 1/2" BSPT MALE X 1/2" BSPP MALE	3
3	GA3500253	HYDRAULIC ADAPTOR, NIPPLE, 1/2" BSPP MALE X 1/2" BSPP MALE	2
4	GA5007787	ACCUMULATOR, HYDRAULIC, 1L, PRECHARGED TO 70 BAR	2

Yaw Control Valve Assembly



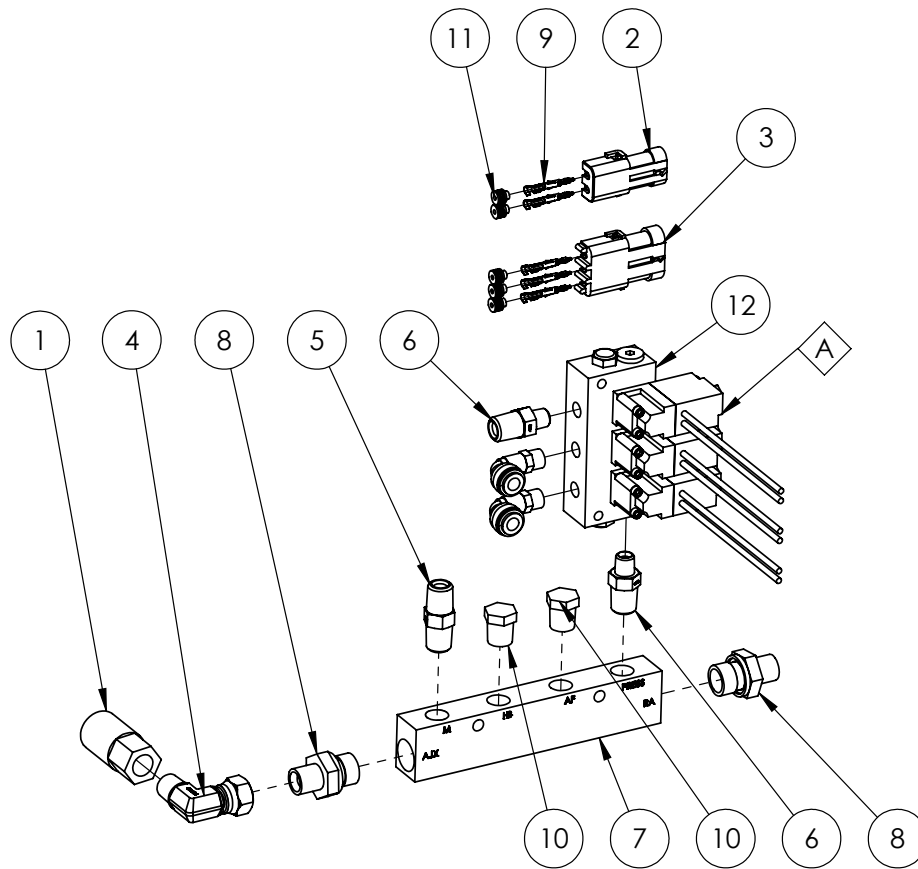
ITEM NO.	PART NUMBER	DESCRIPTION	QTY.
1	GA5078083	VALVE, BALL, HYDRAULIC, 1/4" BSPP FEMALE PORTS	2
2	GA3500269	HYDRAULIC ADAPTOR, TEE, 1/4" BSPT MALE X 1/4" BSPT MALE X 1/4" BSPT MALE	3
3	GA3500211	HYDRAULIC ADAPTOR, SOCKET, 1/4" BSPT FEMALE X 1/4" BSPT FEMALE	2
4	GA5078076	GAUGE, PRESSURE, 250 BAR, 3500PSI	2
5	GA5049800	SHCS M4 X 40 GR12.9 ZP	2
6	GA5020510	WASHER 4MM FLAT SS	4
7	GA5003501	NUT M4 NYLOC ZP	2

Yaw Control Charge Line



ITEM NO.	PART NUMBER	DESCRIPTION	QTY.
-	GA4903220	HOSE ASSEMBLY CHARGE / DISCHARGE LINE FOR HYDRAULIC YAW SUSPENSION	-
1	GA5049695	HOSE, HYDRAULIC, 1/4", 2 WIRE, BLACK	1
2	GA3500394	HYDRAULIC CRIMP COUPLING, STRAIGHT, 1/4" HOSE X 1/4" BSPT MALE	1
3	GA5078000	QUICK CONNECT FITTING, 1/2" MALE TIP X 1/2" FEMALE THREAD	1
4	GA5077350	ADAPTOR, DIRECT GAUGE, M16 X 2.0 FEMALE X 1/4" BSPP FEMALE	1
5	GA3500397	HYDRAULIC CRIMP COUPLING, STRAIGHT, 1/4" HOSE X 1/4" BSPP FEMALE SWIVEL	1
6	GA3500221	HYDRAULIC ADAPTOR, NIPPLE, 1/2" BSPT MALE X 1/4" BSPT MALE	1

Air Manifold

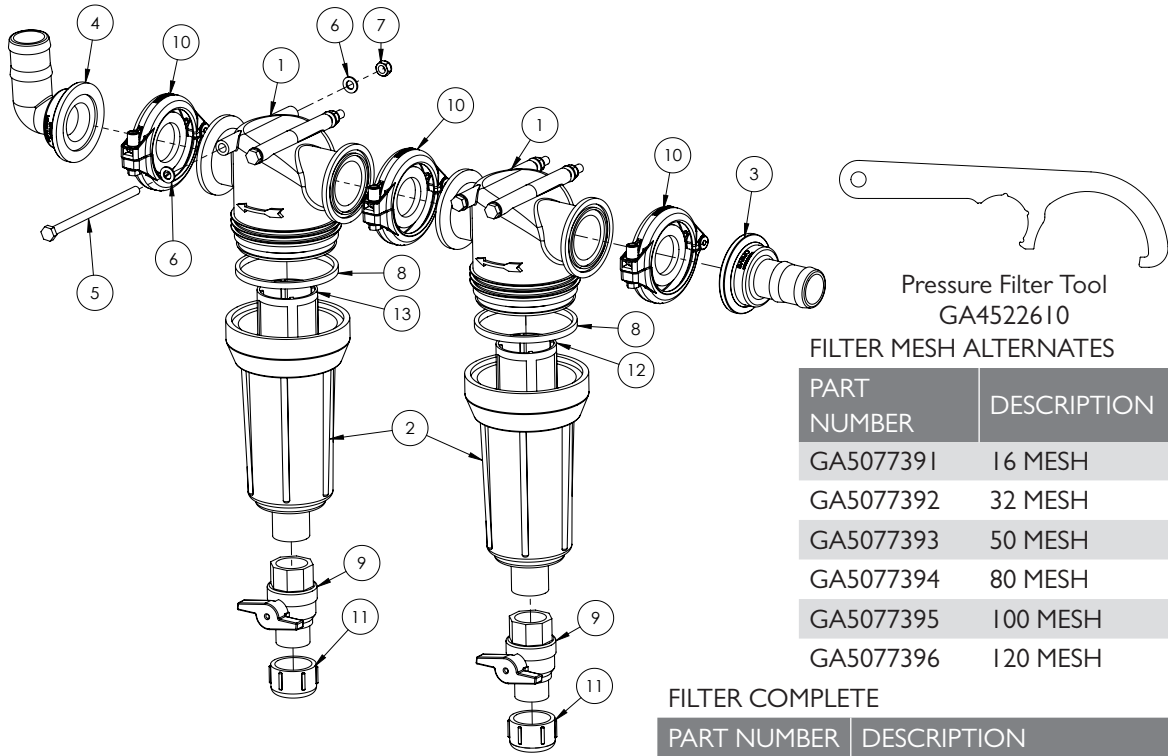


ITEM NO.	PART NUMBER	DESCRIPTION	QTY.
A	GA5054430	SOLENOID VALVE, MAC 3/2 PNEUMATIC, VITON SEALS, 12V, BARE WIRES	3
1	GA5076620	FEMALE 1/4 BSPP FEMALE AIR COUPLINGCOUPLING, AIR, 1/4" BSPP FEMALE X FEMALE	1
2	GA5007381	FEMALE 2 PIN CONNECTOR	1
3	GA5048550	FEMALE 3 PIN CONNECTOR	1
4	GA3500332	HYDRAULIC ADAPTOR, ELBOW, 90 DEGREE, 1/4" BSPT MALE X 1/4" BSPP FEMALE SWIVEL	1
5	GA3500218	HYDRAULIC ADAPTOR, NIPPLE, 1/4" BSPT MALE X 1/4" BSPT MALE	1
6	GA3500217	HYDRAULIC ADAPTOR, NIPPLE, 1/4" BSPT MALE X 1/8" BSPT MALE	2
7	GA5069195	MANIFOLD PNUEMATIC-3/8-1/4 2 IN 4 OUT	1
8	GA3500307	NIPPLE 1/4 X 3/8	2
9	GA5016617	PIN, MALE, SEALED, WEATHER PACK, WIRE 1.0 - 2.0mm	5
10	GA5069335	PLUG 1/4" BSPT BRASS	2
11	GA5014857	SEAL FOR WEATHER PACK CONNECTORS (GREEN)	5
12	GA7000003	VALVE, PNEUMATIC SOLENOID, 3 SECTION BANK, BARE WIRES, 6mm OUTLETS, 8mm INLET, MAC	1

Chapter 19

PLUMBING

Dual Pressure Filter Assembly



Pressure Filter Tool
GA4522610

FILTER MESH ALTERNATES

PART NUMBER	DESCRIPTION
GA5077391	16 MESH
GA5077392	32 MESH
GA5077393	50 MESH
GA5077394	80 MESH
GA5077395	100 MESH
GA5077396	120 MESH

FILTER COMPLETE

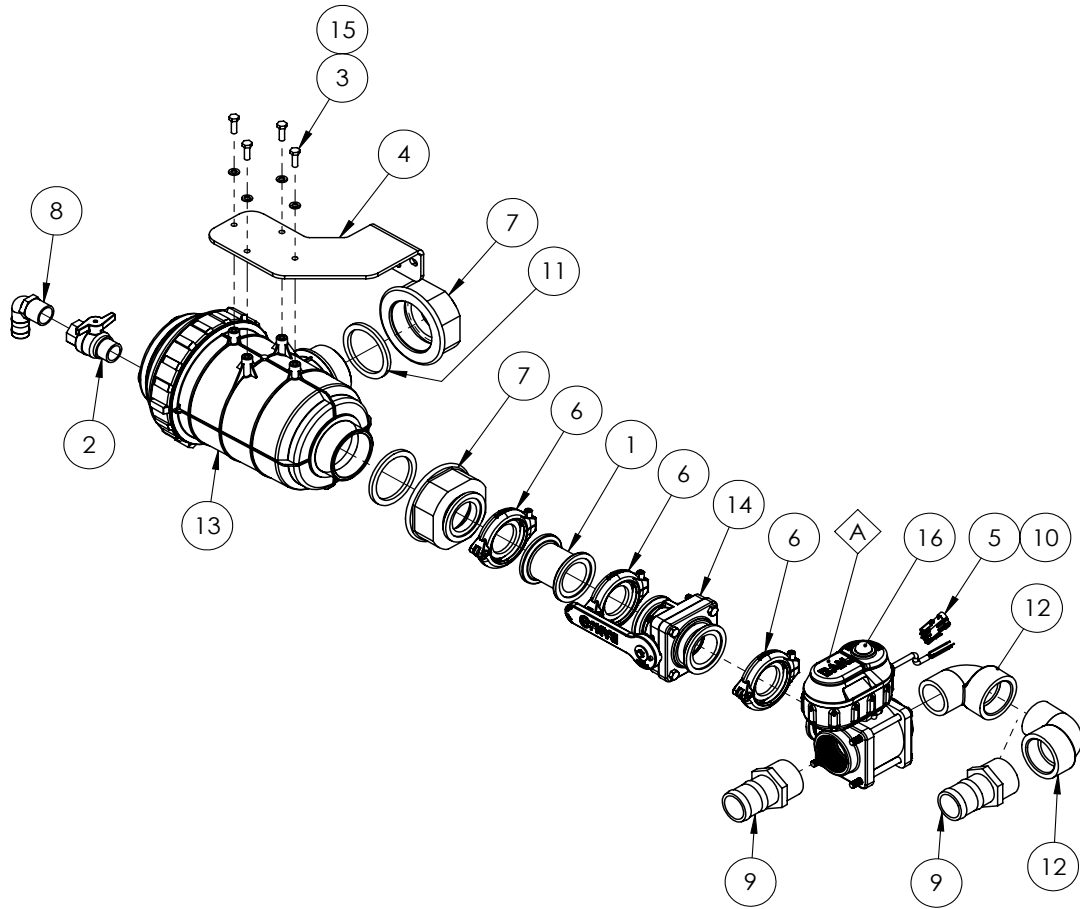
PART NUMBER	DESCRIPTION
GA5077285	FILTER, 75 SERIES FLANGE INLET & OUTLET, WITH 80 MESH, BLUE
GA5077284	FILTER, 75 SERIES FLANGE INLET & OUTLET, WITH 100 MESH, GREEN

ITEM NO.	PART NUMBER	DESCRIPTION	QTY.
1	GA5078386	STRAINER HEAD, 1 1/2" INLET / OUTLETS	2
2	GA5077539	FILTER BOWL	2
3	GA5077833	HOSE BARB, FLANGE, STRAIGHT, 2" FLANGE X 1 1/2" HOSE	1
4	GA5077834	HOSE BARB, ELBOW, 90 DEGREE, 2" FLANGE X 1 1/2" HOSE	1
5	GA5011503	BOLT M8 X 140 ZP GR8.8	4
6	GA5003643	WASHER 8MM FLAT SS HD	8
7	GA5004917	NUT M8 NYLOC ZP	4
8	GA5077541	SEAL, 98 OD X 91 ID X 7MM THICK, EPDM TYPE - ALTERNATE	2
	GA5077542	SEAL, 98 OD X 91 ID X 7MM THICK, VITON TYPE - ALTERNATE	
9	GA5067620	BALL VALVE, 1" MALE / FEMALE, TEE HANDLE, BRASS	2
10	GA2000114	FLANGE CLAMP, AND GASKET, 1.5", SERIES 200, HYPRO	3

Dual Pressure Filter Assembly

ITEM NO.	PART NUMBER	DESCRIPTION	QTY.
	GA5077540	FILTER BOWL CAP, AA I26, POLYPROPYLENE	2
11	GA5077564	SEAL, SUIT GA5077540, EPDM TYPE - ALTERNATE	2
	GA5077565	SEAL, SUIT GA5077540, VITON TYPE - ALTERNATE	
12	GA5077394	FILTER SCREEN, 80 MESH, BLUE, SS & POLYPROPYLENE	1
13	GA5077395	FILTER SCREEN, 100 MESH, GREEN, SS & POLYMER	1

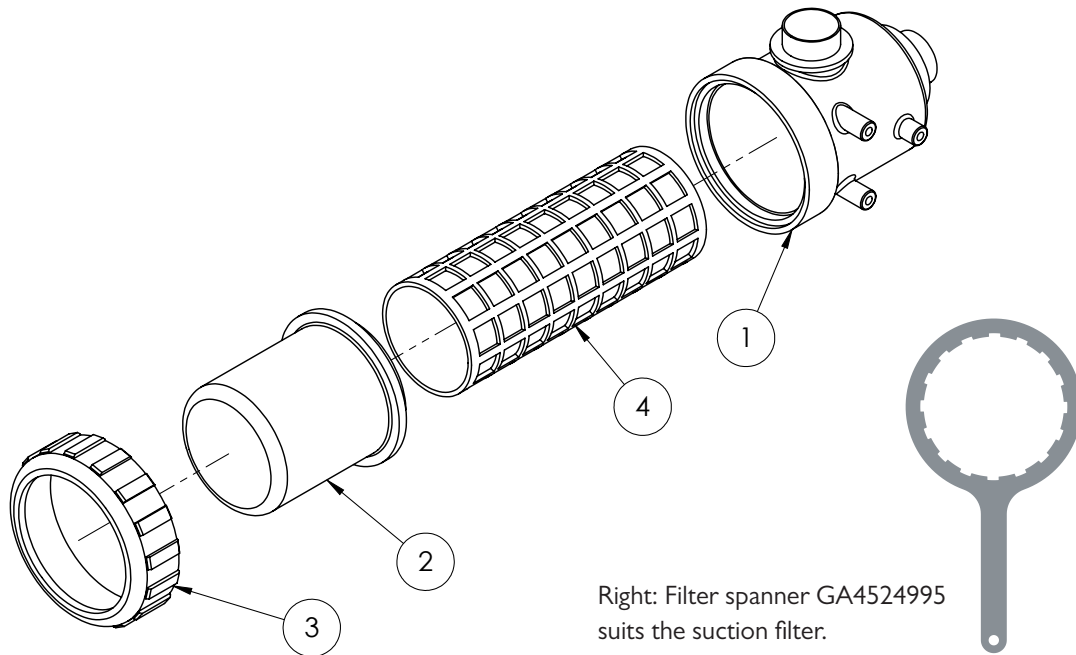
Suction Filter Mounting



ITEM NO.	PART NUMBER	DESCRIPTION	QTY.
A	GA3000810	ACTUATOR MOTOR, SUIT 3-WAY VALVE EVX220SL GA2000393, EP31B10310	1
1	GA5077861	2 X 2 FULL PORT FLANGE	1
2	GA5067620	BALL VALVE, 1" MALE / FEMALE, TEE HANDLE, BRASS	1
3	GA5004711	BOLT M8 X 25 GR8.8 ZP	4
4	GA4408655	BRACKET, SUCTION FILTER, G8, MY20	1
5	GA5048550	FEMALE 3 PIN CONNECTOR	1
6	GA2000115	FLANGE CLAMP, AND GASKET, 2", SERIES 220, HYPRO	3
7	GA4550450	FLANGE, M220 X 3" BSP FEMALE, PLASTIC	2
8	GA5077723	HOSE BARB, ELBOW, 90 DEGREE, 1" MALE X 1" HOSE, BANJO	1
9	GA5077737	HOSE BARB, STRAIGHT, 2" MALE THREAD X 2" HOSE, BANJO, HB200	2
10	GA5014857	SEAL FOR WEATHER PACK CONNECTORS (GREEN)	3
11	GA5076723	SEAL, EPDM, SUIT 3 FLANGE FITTING, BANJO, 300G	2
12	GA5078142	STREET ELBOW, 90 DEGREE, 2 MALE THREAD X 2 FEMALE THREAD, BANJO	2
13	GA2000101	SUCTION FILTER, 3" 32 MESH, 3" BSP MALE THREADS, ARAG	1
14	GA5077908	VALVE, BALL, 2" FULL PORT , 4 BOLT FLANGED, SHORT, BANJO, MVS220CF	1
15	GA5003643	WASHER 8mm FLAT SS HD	4
16	GA2000393	VALVE, BALL, ELECTRIC 3 WAY, 2" FULL PORT, BANJO, EVX220SL	1

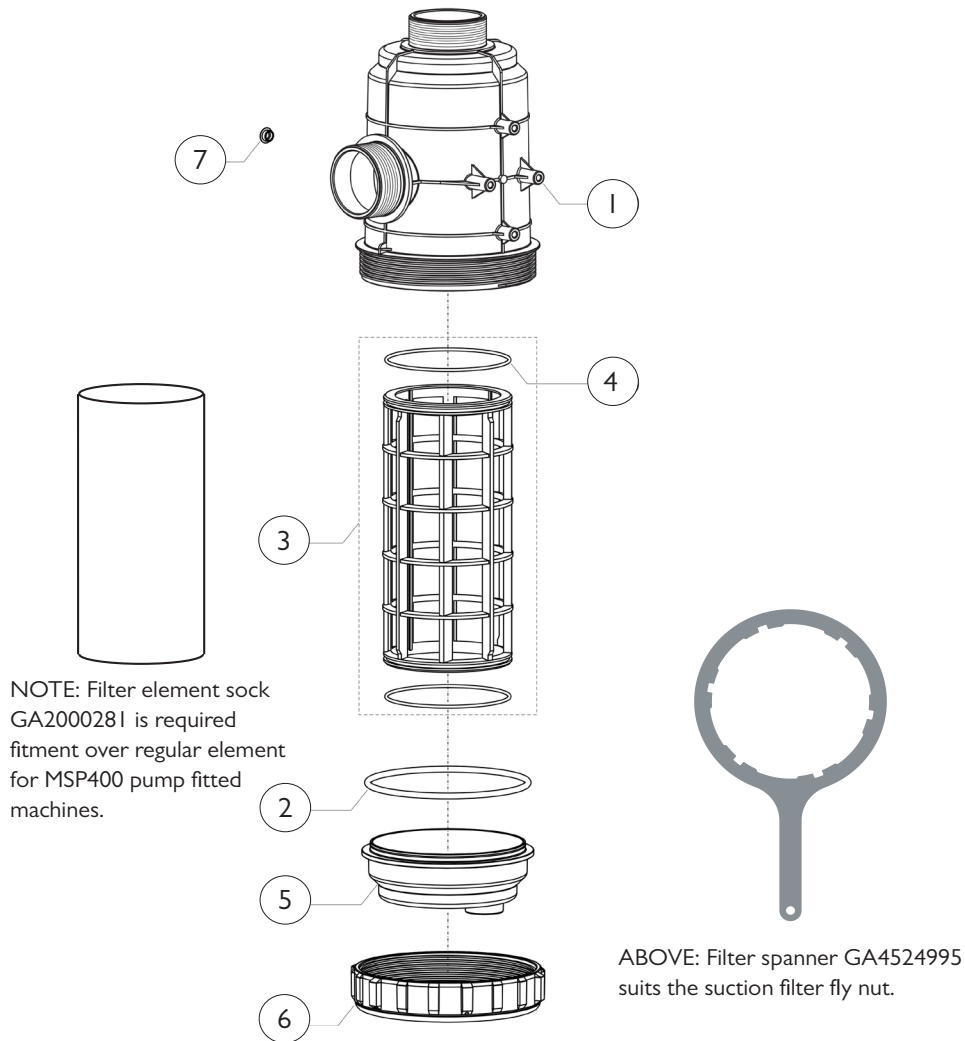
* Sub-assembly on following pages

Suction Filter Bowl Assembly (317)



ITEM NO.	PART NUMBER	DESCRIPTION	QTY.
-	GA5076799	SUCTION FILTER, 317, 2" BSP MALE INLET / OUTLET, 32 MESH - COMPLETE	-
1	GA5076773	FILTER BODY, 317, "2", INLET OUTLET THREAD	1
	GA5076793	317 SUCTION FILTER BOWL	1
2	GA5076769	O RING 126.4 X 7 MM, SUIT 317 FILTER BOWL, BS429 - ALTERNATE	1
	GA5076770	O RING 126.4 X 7 MM, SUIT 317 FILTER BOWL, VITON - ALTERNATE	1
3	GA5076768	NUT, PLASTIC, SUIT 317 SUCTION FILTER, 8 THREADS	1
	GA5076797	32 MESH SCREEN - RED - STANDARD FITMENT	
	GA5076795	50 MESH SCREEN - BLUE - ALTERNATE	1
4	GA5076798	80 MESH SCREEN - YELLOW - ALTERNATE	
	GA5077684	O RING, 2.62 X 94.92 MM, EPDM, G1 I046, SUITS FILTER SCREEN	2

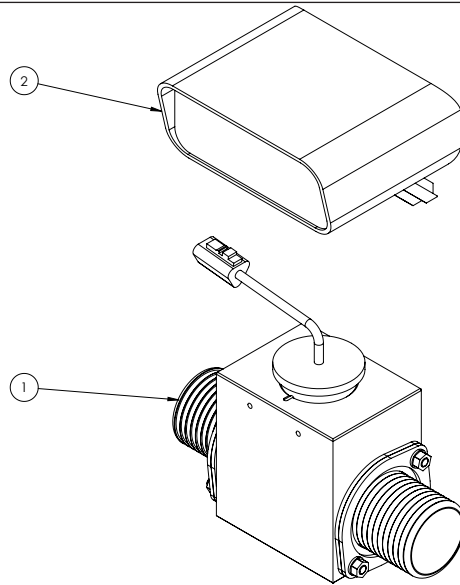
Suction Filter Bowl Assembly (319)



SUCTION FILTER COMPLETE

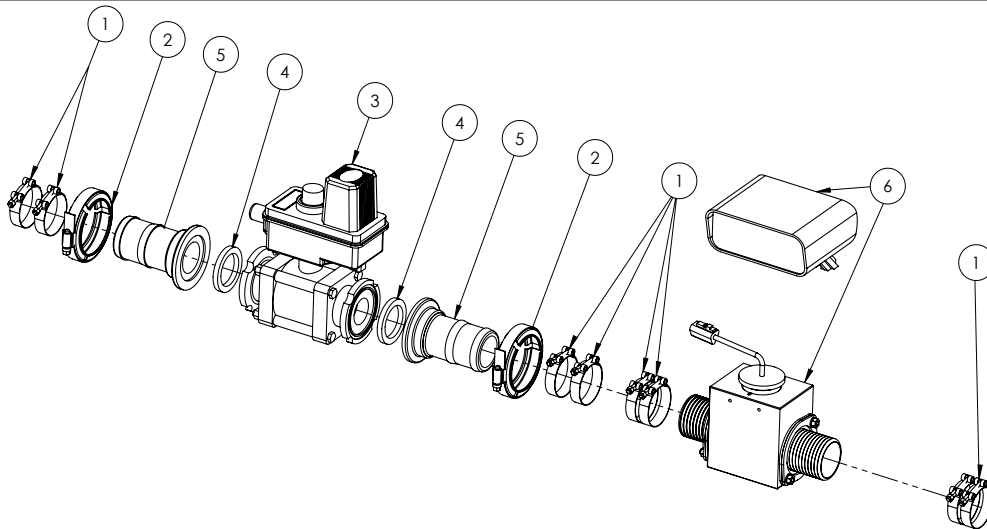
PART NUMBER	DESCRIPTION		
GA2000101	SUCTION FILTER, 3" 32 MESH, 3" BSP MALE THREADS		
ITEM NO.	PART NUMBER	DESCRIPTION	QTY.
1	GA2000289	SUCTION FILTER BODY, SUIT ARAG 319	1
	GA2000290	O RING, 6.99 X 174.6, EPDM, G1 I052, SUIT ARAG GA2000101	
2	GA2000587	O-RING, 6.99 X 174.6, VITON, G1 I052V, SUIT ARAG GA2000101	1
	GA2000561	FILTER SCREEN, 145 X 320MM, 32 MESH, SUIT 319 3" FILTER, "RED", ARAG	1
3	GA2000281	FILTER SCREEN, 145 X 320MM, 120 / 32 MESH, SUIT 319 3" FILTER, "GREY", ARAG	1
	GA5076863	O RING, 136.10 X 3.53	2
4	GA5026296	O RING, 136.10 X 3.53, VITON, 335000.060V	2
5	GA2000291	319 SUCTION FILTER BOWL	1
6	GA2000292	FLY NUT, SUCTION FILTER BODY, SUIT ARAG 319	1
7	GA2000293	LEVER PLUG, RED, SUIT ARAG 319	1

Fill Flow Meter - Teejet



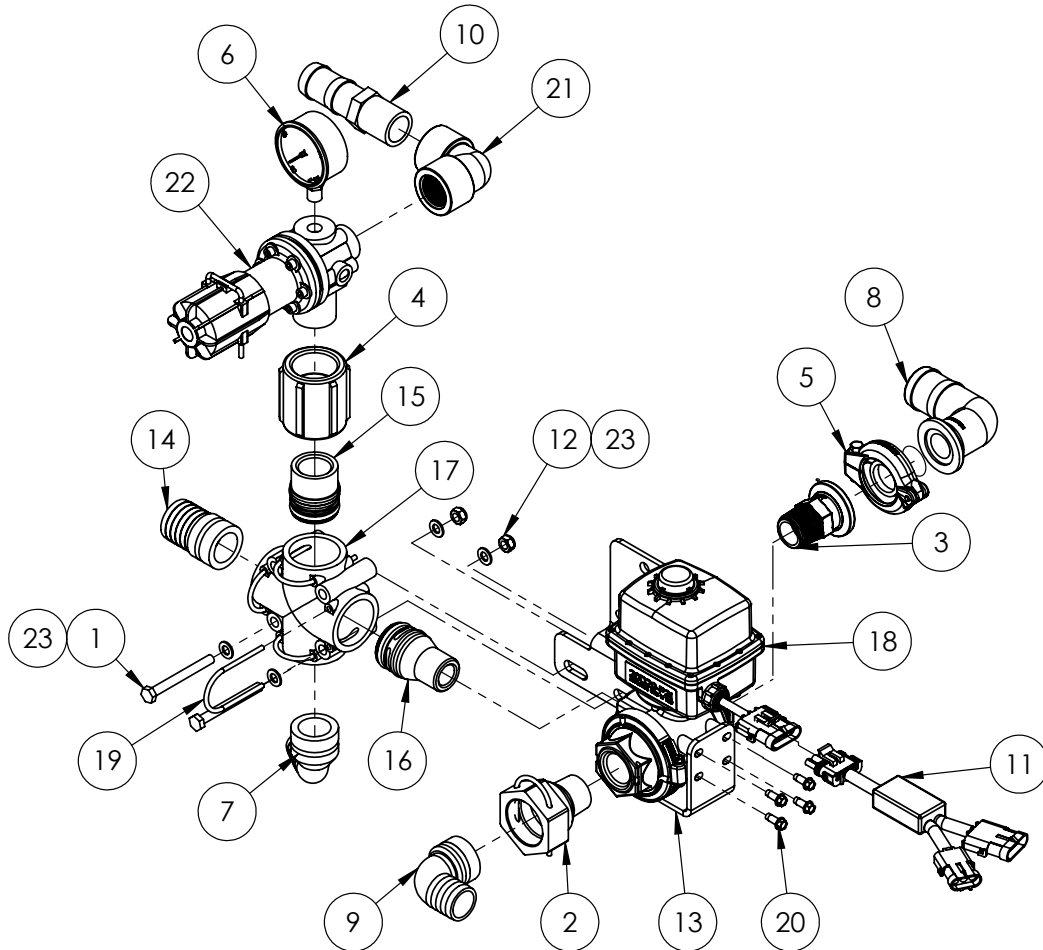
ITEM NO.	PART NUMBER	DESCRIPTION	QTY.
1	GA5077191	KIT, FLOWMETER 40D2 HOSE BARBS	1
2	75-30018	CONSOLE, FILL FLOW, METRIC	1

Fill Flow Meter - Teejet & Shut Off Valve



ITEM NO.	PART NUMBER	DESCRIPTION	QTY.
1	GA5010191	HOSE CLAMP 2" T-BOLT SS	8
2	FC200	CLAMP, WORM SCREW, USE WITH 2" STANDARD FLANGE PORT	2
3	GA5076868	BALL VALVE ELECTRIC 2 WAY 2" FLANGE	1
	GA5077048	MOTOR, REPLACEMENT ONLY, 346 STYLE, 25RPM, BARE WIRES, TEEJET	-
4	GA5009335	SEAL, 41.5 ID X 55 OD X 6.5 MM THICK, EPDM, SUIT 1 1/2" FLANGE	2
5	GA5077837	HOSE BARB, STRAIGHT, 2" FLANGE X 2" HOSE	2
6	GA5077193	KIT, FILL FLOW, 40D F.M.METRIC, 70 SERIES MONITOR	1

Regulator Valve - Zeta 260 Pump



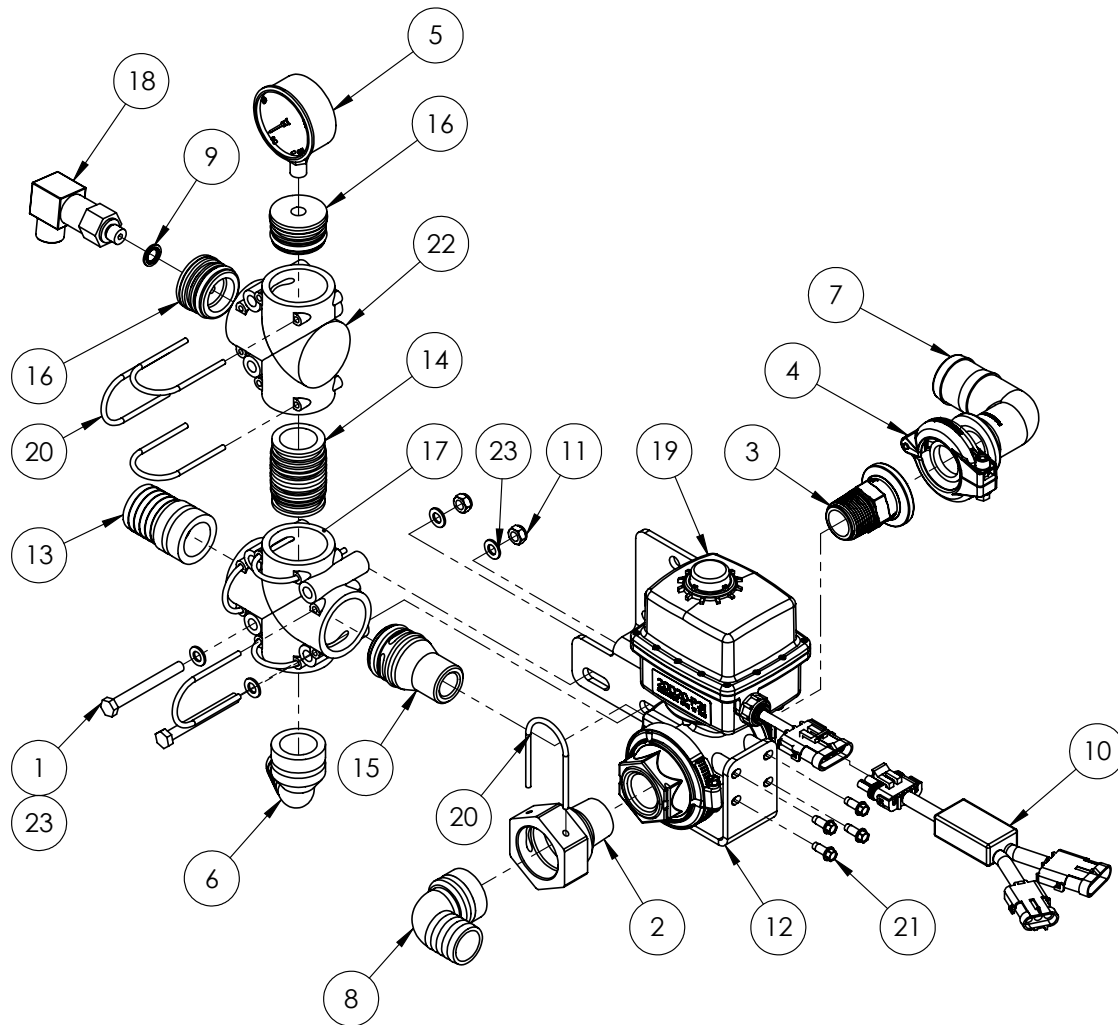
ITEM NO.	PART NUMBER	DESCRIPTION	QTY.
1	GA5052600	BOLT M8 X 75 SS A2-70	2
2	GA4582385	COUPLING ALTEK AS40 TO 1" NPT MALE THREAD	1
3	GA5077820	COUPLING, FLANGED, 1 FLANGE X 1 MALE THREAD, BANJO	1
4	GA5077639	COUPLING, SOCKET, 1 1/4 FEMALE THREAD, BANJO, CPLG125	1
5	GA2000113	FLANGE CLAMP, AND GASKET, 1", SERIES 100, HYPRO	1
6	GA4948470	GAUGE, PRESSURE, SMALL FACE, 160PSI	1
7	GA5065615	HOSE BARB, ELBOW 90 DEGREE, AS40 X 25mm, ALTEK	1
8	GA2000138	HOSE BARB, ELBOW, 90 DEGREE, 1" FLANGE, X 1 1/2" HOSE, BANGO M100150BR90	1
9	GA5065620	HOSE BARB, ELBOW, 90 DEGREE, AS40 X 33mm HOSE BARB, ALTEK	1
10	GA5077722	HOSE BARB, STRAIGHT, 1" MALE THREAD X 1 1/4" HOSE, BANJO	1
11	GA5060059	LOOM BOOM RECIRC BYPASS MODULE	1
12	GA5052590	NUT M8 NYLOC SS	2
13	GA4509460	PLATE, REGULATOR VALVE ASSEMBLY MOUNT, CROP CRUISER MY15	1

Continues Over Page

Regulator Valve - Zeta 260 Pump

ITEM NO.	PART NUMBER	DESCRIPTION	QTY.
14	GA5065590	PLUG IN HOSE TAIL AS40/39	1
15	GA5065595	PLUG IN HOSE TAIL AS40/G1 1/4" MALE	1
16	GA2000077	PLUMBING FITTING, AS40 TO 1" NPT MALE THREAD, ALTEK	1
17	GA5065565	PLUMBING COUPLING, CROSS, AS40 FEMALE INLETS / OUTLETS, ALTEK	1
	GA2000065	REGULATOR VALVE, 1" NPT, FULL PORT, 3 WAY, 0.8 SEC 12V, KZ VALVE	1
18	GA2000066	REGULATOR VALVE, ACTUATOR ONLY, 0.8 SEC 12V, SUIT GA2000065, KZ VALVE	-
	GA4953975	BUTTRESS ASSEMBLY, SUIT, KZ VALVE, INCLUDES O-RINGS, 800562, SUITS GA2000067, GA2000065	-
19	GA5065690	RETAINING PIN, SAFETY CLIP, SUIT AS40 PLUMBING FITTINGS, ALTEK	5
20	GA0500022	SET SCREW SELF TAPPING TRILOBE M6 X 16 ZP	4
21	GA5077655	STREET ELBOW, 90 DEGREE, 1 FEMALE THREAD X 1 FEMALE THREAD, BANJO, EL100-90	1
22	GA5075640	VALVE, PRESSURE RELIEF, 15 BAR, 1" MALE THREAD INLET X 1 1/4" MALE THREAD OUTLET, POLMAC	1
23	GA5003643	WASHER 8MM FLAT SS HD	4

Regulator Valve - MSP400 Pump



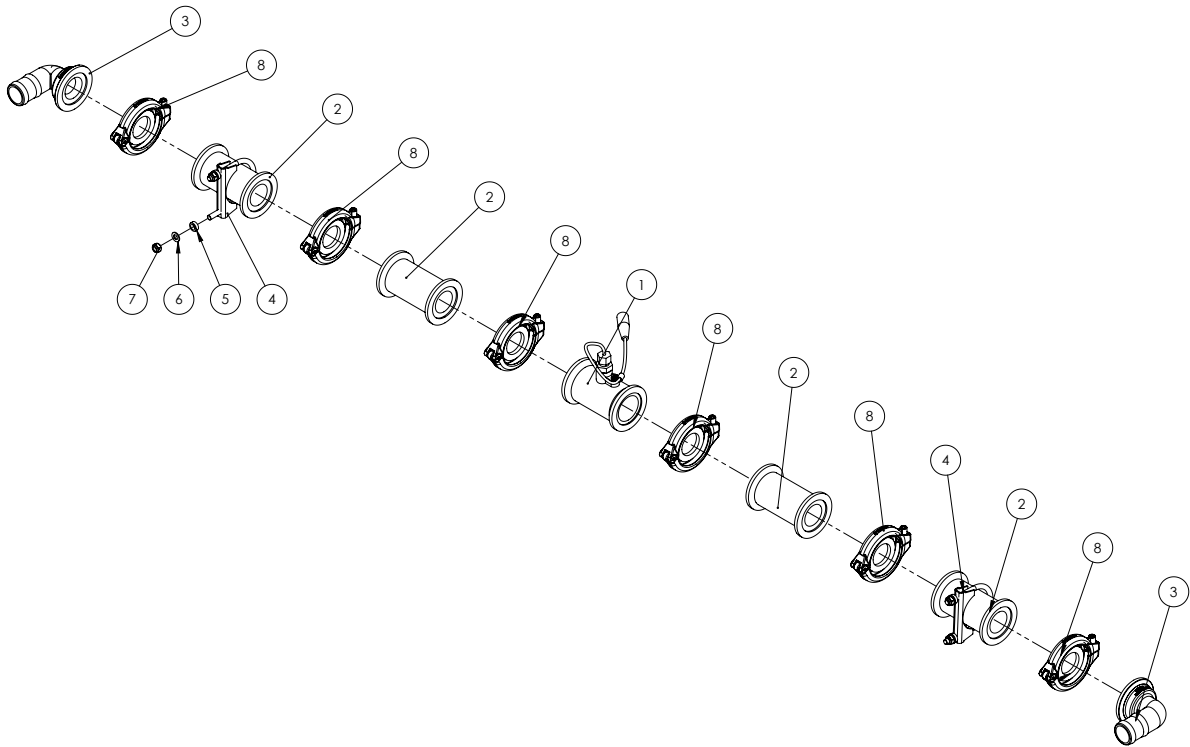
ITEM NO.	PART NUMBER	DESCRIPTION	QTY.
1	GA5052600	BOLT M8 X 75 SS A2-70	2
2	GA4582385	COUPLING ALTEK AS40 TO 1" NPT MALE THREAD	1
3	GA5077820	COUPLING, FLANGED, 1 FLANGE X 1 MALE THREAD, BANJO	1
4	GA2000113	FLANGE CLAMP, AND GASKET, 1", SERIES 100, HYPRO	1
5	GA4948470	GAUGE, PRESSURE, SMALL FACE, 160PSI	1
6	GA5065615	HOSE BARB, ELBOW 90 DEGREE, AS40 X 25MM, ALTEK	1
7	GA2000138	HOSE BARB, ELBOW, 90 DEGREE, 1" FLANGE, X 1 1/2" HOSE, BANGO M100150BRB90	1
8	GA5065620	HOSE BARB, ELBOW, 90 DEGREE, AS40 X 33MM HOSE BARB, ALTEK	1
9	GA3500725	HYDRAULIC ADAPTOR, SEAL, METAL BONDED, M12, MBD-12	1
10	GA5060059	LOOM BOOM RECIRC BYPASS MODULE	1
11	GA5052590	NUT M8 NYLOC SS	2
12	GA4509460	PLATE, REGULATOR VALVE ASSEMBLY MOUNT, CROP CRUISER MY15	1
13	GA5065590	PLUG IN HOSE TAIL AS40/39	1
14	GA5065735	PLUG IN HOSE TAIL AS40/AS40	1

Continues Over Page

Regulator Valve - MSP400 Pump

ITEM NO.	PART NUMBER	DESCRIPTION	QTY.
15	GA2000077	PLUMBING FITTING, AS40 TO 1" NPT MALE THREAD, ALTEK	1
16	GA4582160	PLUMBING ADAPTOR, PLUG, AS40 MALE X G1/4" FEMALE THREAD, ALTEK	2
17	GA5065565	PLUMBING COUPLING, CROSS, AS40 FEMALE INLETS / OUTLETS, ALTEK	1
18	GA3000405	PRESSURE SWITCH, ADJUSTABLE 0.2-2 BAR, SPDT, 24 BAR MAX, 1/4 BSPP, 316 SS, DIN PLUG	1
	GA2000065	REGULATOR VALVE, 1" NPT, FULL PORT, 3 WAY, 0.8 SEC 12V, KZ VALVE	1
19	GA2000066	REGULATOR VALVE, ACTUATOR ONLY, 0.8 SEC 12V, SUIT GA2000065, KZ VALVE	-
	GA4953975	BUTTRESS ASSEMBLY, SUIT, KZ VALVE, INCLUDES O-RINGS, 800562, SUITS GA2000067, GA2000065	-
20	GA5065690	RETAINING PIN, SAFETY CLIP, SUIT AS40 PLUMBING FITTINGS, ALTEK	8
21	GA0500022	SET SCREW SELF TAPPING TRILOBE M6 X 16 ZP	4
22	GA5065555	T-PIECE 3XAS40 NO M8 INSERTS	1
23	GA5003643	WASHER 8MM FLAT SS HD	4

Flow Meter - Raven Controller - Flange Clamps

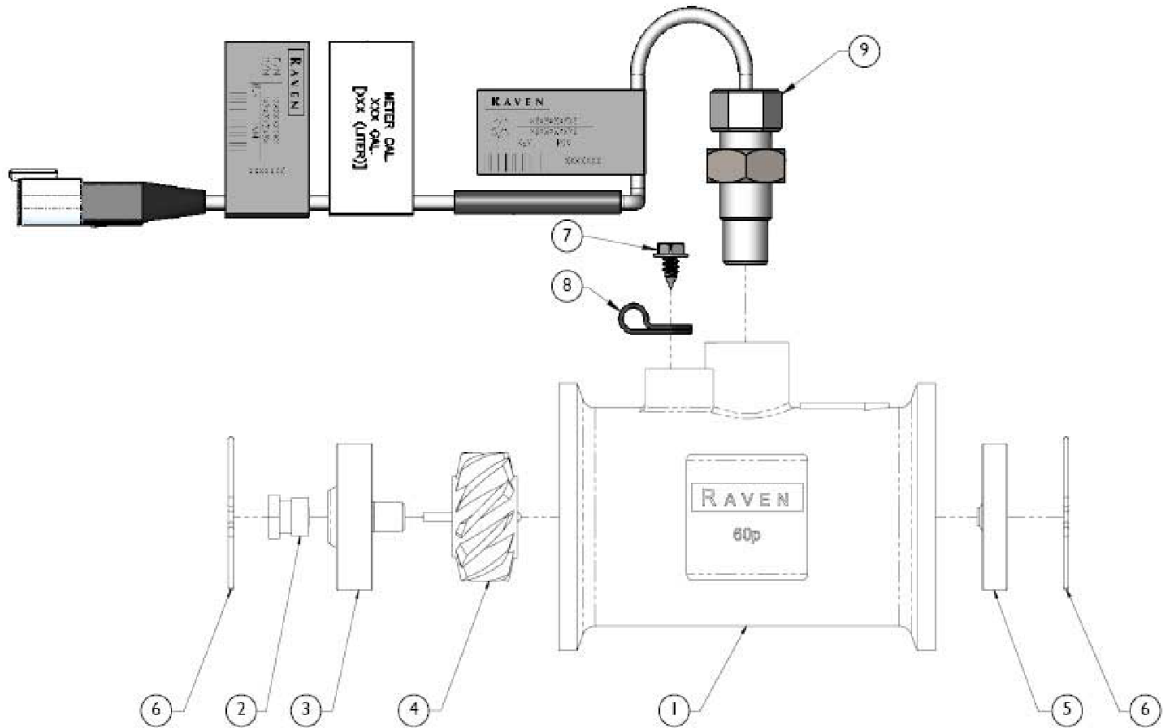


ITEM NO.	PART NUMBER	DESCRIPTION	QTY.
1	GA5075890*	FLOWMETER, RFM60P HIGH PULSE, RAVEN	1
2	GA5077840	PLUMBING COUPLING, STRAIGHT, 2" FLANGE X " FLANGE X 4 1/2" LONG	4
3	GA5077834	HOSE BARB, ELBOW, 90 DEGREE, 2 FLANGE X 1 1/2" HOSE	2
4	GA5006689	EXHAUST CLAMP - 66MM CI2	2
5	GA4552080	CRUSH TUBE, 10.2 ID X 15 OD X 5 MM	4
6	GA5003643	WASHER 8MM FLAT SS HD	4
7	GA5052590	NUT M8 NYLOC SS	4
8	GA2000114	FLANGE CLAMP, AND GASKET, 1.5", SERIES 200, HYPRO	6

* Sub-assembly on following pages

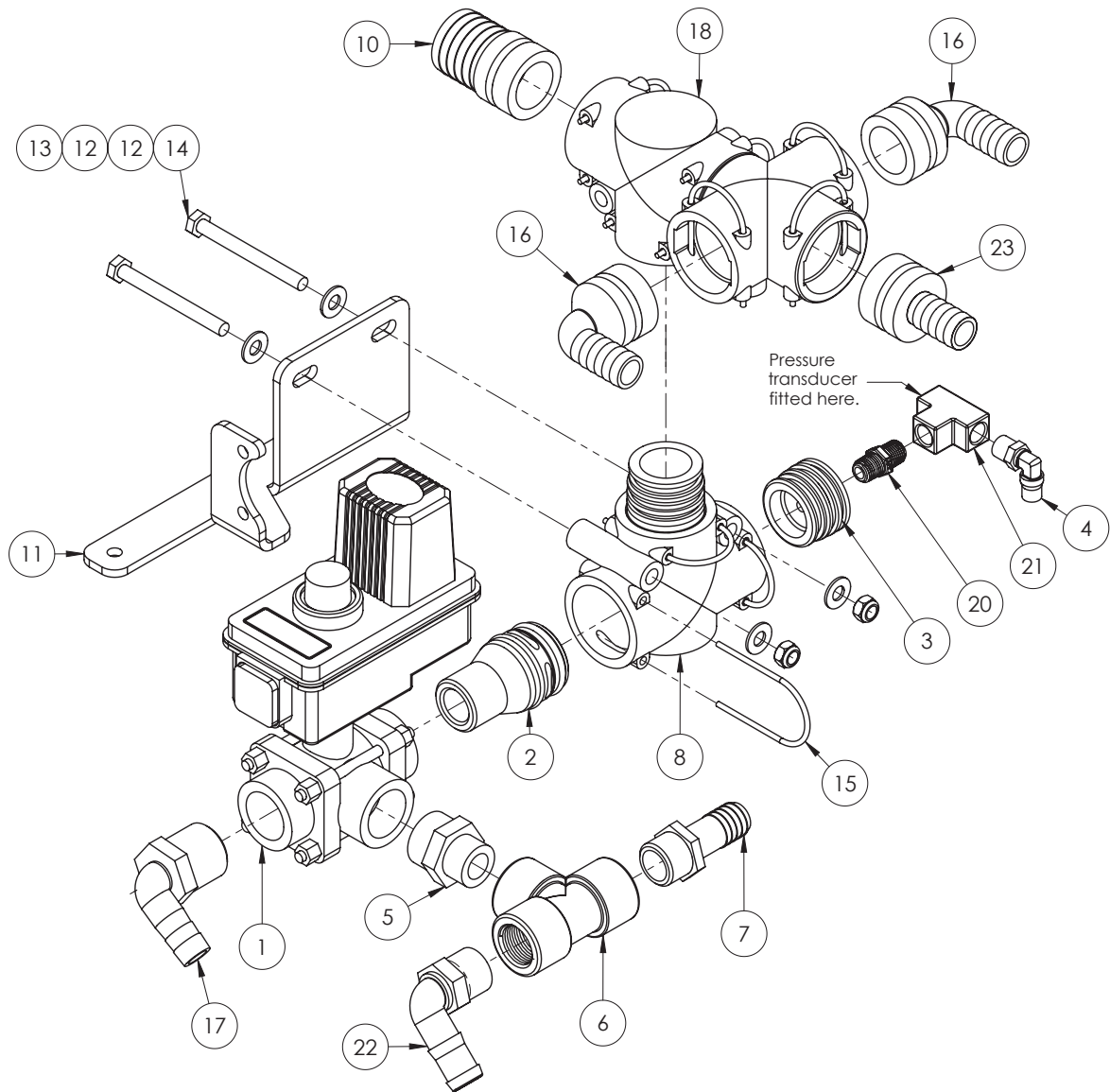
NOTE: The flange clamps come with a built in seal/gasket.

Flow Meter Assembly



ITEM NO.	PART NUMBER	DESCRIPTION	QTY.
1	GA5075890	FLOWMETER, RFM60P HIGH PULSE, RAVEN	1
2	GA5026132	TURBINE, STUD, POLY, FLOWMETER, RFM-60	2
3	GA5075870	HUB/BEARING ASY UPSTREAM RFM60	1
4	GA5075869	ROTOR/MAGNET ASY RFM-60S	1
5	GA5075871	BEARING, DOWN STREAM END BEARING SUIT RFM60S FLOW METER, RAVEN, 0630171769	1
6	GA5026133	RETAINING RING, WIREFORM, FLOWMETER, RAVEN RFM-60	2
7	GA5076734	SCW 10-16 X 3/8 SLTD HEX	1
8	GA5076966	CLAMP CABLE PLASTIC 1/4X1/2	1
9	GA3000399	SENSOR, EXTERNAL FLOW METER, HIGH PULSE, SUIT b15P AND 60P, DEUTSCH CONNECTOR, RAVEN, 10630172458B	1

Flow Distributor & Boom Recirc. Valve 36-42m



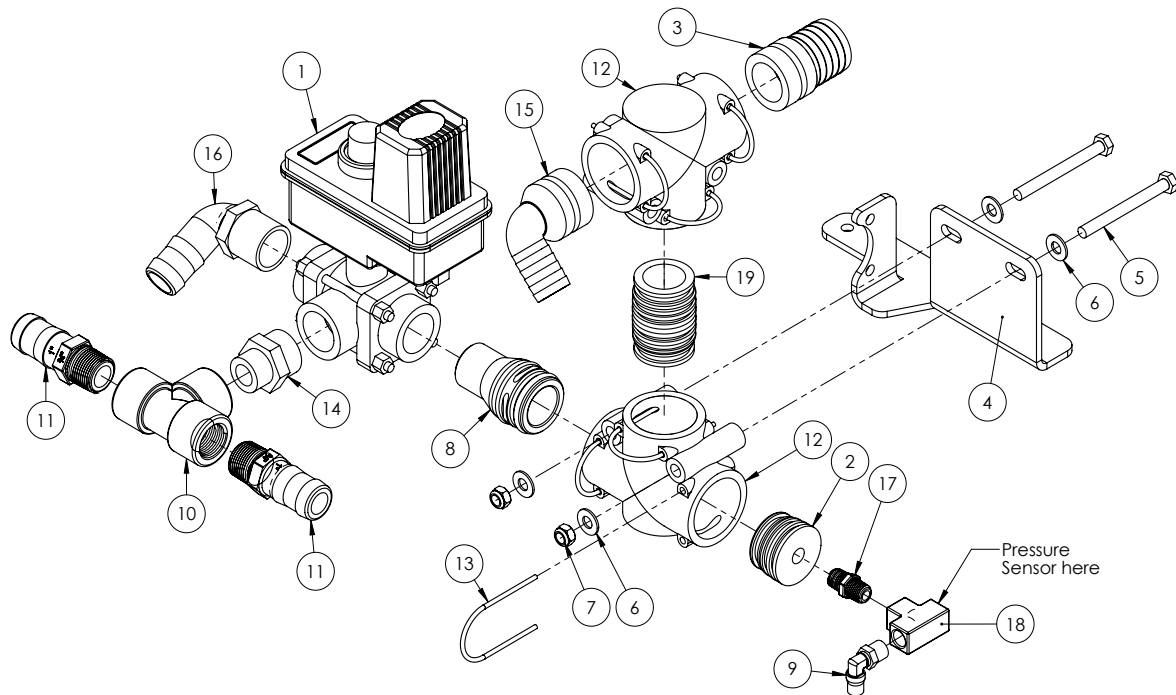
ITEM NO.	PART NUMBER	DESCRIPTION	QTY.
-	GA3000199	PRESSURE TRANSDUCER, 0-250PSI, I-5V, DEUTSCH, SEALED	1
-	GA5065815	O RING, 35 X 4 MM, SUIT AS40 FITTINGS	-
-	GA5065820	O RING, 38 X 3 MM, SUITS AS40 PLUMBING FITTINGS	-
1	GA5077319	VALVE, ELECTRIC BALL 3 WAY, SHUTOFF/BYPASS, 1" - COMPLETE UNIT	1
	GA5077047	REPLACEMENT 12V MOTOR, SUIT TEEJET VALVE GA5077319, BARE WIRES	-
2	GA2000077	PLUMBING FITTING, AS40 TO 1" NPT MALE THREAD	1

Continued over page

Flow Distributor & Boom Recirc. Valve 36-42m

ITEM NO.	PART NUMBER	DESCRIPTION	QTY.
3	GA4582160	PLUMBING ADAPTOR, PLUG, AS40 MALE X G 1/4" FEMALE THREAD	1
4	GA5016233	PNEUMATIC FITTING, ELBOW, 90 DEGREE, 1/4 BSP MALE X 6MM PUSH IN TYPE, METAL	1
5	GA5078089	NIPPLE, REDUCING, POLY, 1" X 3/4" THREAD	1
6	GA5078150	TEE, THREADED, 3/4 FEMALE, BANJO, TEE075	1
7	GA5077709	HOSE BARB, STRAIGHT, 3/4" MALE THREAD X 3/4" HOSE	1
8	GA5065560	TEE, 3 PORT, AS40 FEMALE, M8 INSERTS	1
9	GA2000082	PLUMBING FITTING, CROSS, AS40, 3X FEMALE 1X MALE, 2X M8 INSERTS, NO O-RINGS	1
10	GA5065590	PLUG IN HOSE TAIL AS40/39	1
11	GA4400975	PLATE, BRACKET, FLOW DISTRIBUTER AND BOOM RECIRCULATION VALVE ASSEMBLY	1
12	GA5003643	WASHER 8MM FLAT SS HD	4
13	GA5004917	NUT M8 NYLOC ZP	2
14	GA5004749	BOLT M8 X 80 GR8.8 ZP	2
15	GA5065690	SAFETY PIN AS40	9
16	GA5065610	HOSE BARB, ELBOW, 90 DEGREE, AS40 X 20MM HOSE	2
17	GA5077719	HOSE BARB, ELBOW, 90 DEGREE, 1" MALE THREAD X 3/4" HOSE	1
18	GA5065555	TEE, 3 PORT, AS40 FEMALE, NO M8 INSERTS	1
19	GA5065735	PLUMBING ADAPTOR, AS40 MALE X AS40 MALE	1
20	GA5077909	NIPPLE, SHORT, 1/4 MALE THREAD X 1/4 MALE THREAD	1
21	GA5048300	TEE, 1/4 FEMALE THREAD X 1/4 FEMALE THREAD X 1/4 FEMALE THREAD, BRASS	1
22	GA5077717	HOSE BARB, ELBOW, 90 DEGREE, 3/4 MALE THREAD X 3/4 HOSE	1
23	GA5065575	HOSE BARB, STRAIGHT, AS40 MALE X 20MM HOSE	1

Flow Distributor & Boom Recirc. Valve 48m



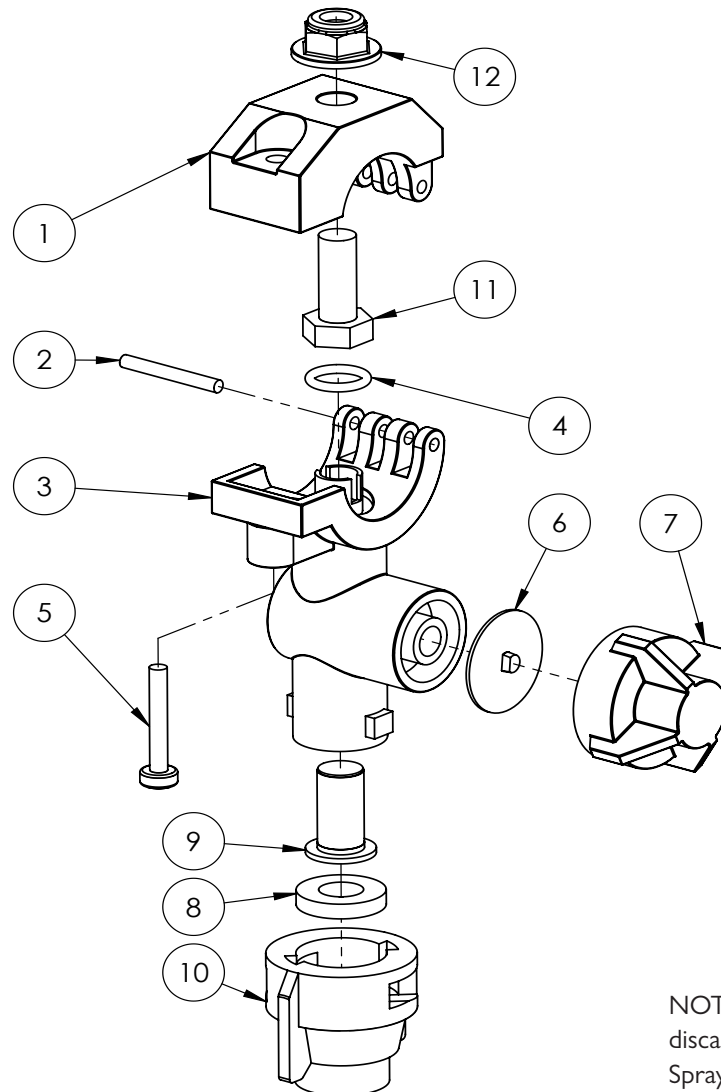
ITEM NO.	PART NUMBER	DESCRIPTION	QTY.
-	GA3000199	PRESSURE TRANSDUCER, 0-250PSI, 1-5V, DEUTSCH, SEALED	1
-	GA5065815	O RING, 35 X 4 MM, SUIT AS40 FITTINGS	-
-	GA5065820	O RING, 38 X 3 MM, SUITS AS40 PLUMBING FITTINGS	-
1	GA5077319	VALVE, ELECTRIC BALL 3 WAY, SHUTOFF/BYPASS, 1" - COMPLETE UNIT	1
	GA5077047	REPLACEMENT 12V MOTOR, SUIT TEEJET VALVE GA5077319, BARE WIRES	-
2	GA4582160	PLUMBING ADAPTOR, PLUG, AS40 MALE X G1/4" FEMALE THREAD	1
3	GA5065590	SAFETY PIN, SUIT AS40 PLUMBING FITTINGS	1
4	GA4400975	PLATE, BRACKET, FLOW DISTRIBUTER AND BOOM RECIRCULATION VALVE ASSEMBLY, 48M	1
5	GA5004749	BOLT M8 X 80 GR8.8 ZP	2
6	GA5003643	WASHER 8MM FLAT SS HD	4
7	GA5004917	NUT M8 NYLOC ZP	2
8	GA2000077	PLUMBING FITTING, AS40 TO 1" NPT MALE THREAD	1
9	GA5016233	PNEUMATIC FITTING, ELBOW, 90 DEGREE, 1/4" BSP MALE X 6MM PUSH TYPE	1
10	GA5078150	TEE, THREADED, 3/4" FEMALE	1
11	GA5077715	HOSE BARB, STRAIGHT, 3/4" MALE THREAD X 1" HOSE BARB	2
12	GA5065560	TEE, 3 PORT, AS40 FEMALE, M8 INSERTS	2
13	GA5065690	SAFETY PIN, SUIT AS40 PLUMBING FITTINGS	6

Continued over page

Flow Distributor & Boom Recirc. Valve 48m

ITEM NO.	PART NUMBER	DESCRIPTION	QTY.
14	GA5078089	NIPPLE, REDUCING, POLY, 1" X 3/4" THREAD	1
15	GA5065615	HOSE BARB, ELBOW 90 DEGREE, AS40 X 25MM	1
16	GA5077723	HOSE BARB, ELBOW, 90 DEGREE, 1" MALE X 1" HOSE	1
17	GA5077909	NIPPLE, SHORT, 1/4" MALE THREAD X 1/4" MALE THREAD	1
18	GA5048300	TEE, 1/4" F THREAD X 1/4" F THREAD X 1/4" F THREAD, BRASS	1
19	GA5065735	PLUMBING ADAPTOR, AS40 MALE X AS40 MALE	1

Nozzles - Teejet Single Body



NOTE: Item 6 & 7 are discarded when attaching Spray-Stop

NOTE: See nozzle tip strainer, cap and nozzle sections on following pages for more detailed nozzle parts guide.

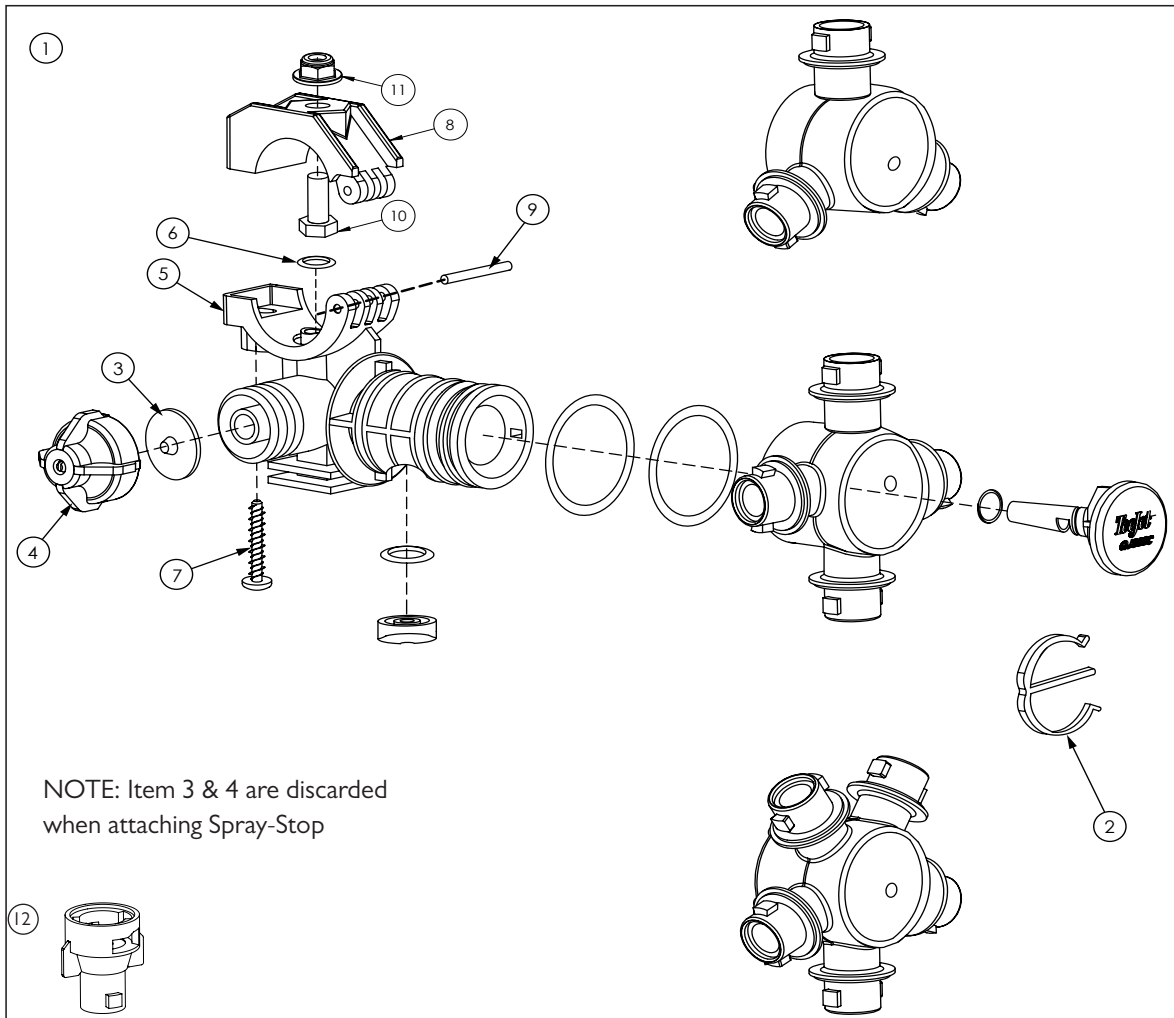
ITEM NO.	PART NUMBER	DESCRIPTION	QTY.
-	GA5077964	NOZZLE BODY, SINGLE, 3/4", TEEJET	-
-	GA5077962	NOZZLE BODY, SINGLE, 1", TEEJET	-
1	GA5077532	NOZZLE BODY CLAMP, UPPER, 3/4", TEEJET	1
	GA5077533	NOZZLE BODY CLAMP, UPPER, 1", TEEJET	1
2	GA5077537	PIN, NOZZLE BODY CLAMP, TEEJET	1
3	GA5077538	3/4" NYLON BODY	1
	CP48499-NYB	1" NYLON BODY	1
4	GA5077596	O-RING, 14.5 X 2.5MM, BUNA	1
	GA5077597	O-RING, VITON	1
5	GA5077536	SCREW, SUIT TEEJET NOZZLE BODIES, 1-1/4" LONG, SS	1
	GA5077439	CHEMSAVER, DIAPHRAGM, TEEJET	1
6	GA5077440	DIAPHRAGM, VITON, NOZZLE BODY CHECK VALVE, TEEJET	1
7	GA5076670	CHEMSAVER, 10PSI, BLACK, TEEJET	1

Continued over page

Nozzles - Teejet Single Body

ITEM NO.	PART NUMBER	DESCRIPTION	QTY.
8	GA5055245	WASHER, NOZZLE CAP SEAL, RUBBER, 19 OD X 9MM ID	1
9	GA5077159	FILTER, NOZZLE TIP, RED, 50 MESH, POLYPROPYLENE & SS, TEEJET	1
	GA5077160	NOZZLE FILTER SCREEN, BLUE 80 MESH, POLYPROYLENE / SS, TEEJET	
10	GA8100464	NOZZLE CAP, BLACK, TEEJET, SUIT FLAT SPRAY SMALLER CAPACITY NOZZLES (UP TO 08)	1
	GA8100059	NOZZLE CAP, 10MM ACROSS FLATS, BLACK, LECHLER	
11	GA5004085	BOLT M8 X 20 GR8.8 ZP	1
12	GA5070710	NUT FLANGE PLASTIC M8 X 1.25	1

Nozzles - Teejet Clock Face Body



NOTE: Item 3 & 4 are discarded when attaching Spray-Stop

ITEM NO.	PART NUMBER	DESCRIPTION	QTY.
1	GA5077972	NOZZLE BODY ASSEMBLY, CLOCK FACE, 3 OUTLET, 3/4", TEEJET	-
	GA5077974	NOZZLE BODY ASSEMBLY, CLOCK FACE, 4 OUTLET, 3/4", TEEJET	-
	GA5077977	NOZZLE BODY ASSEMBLY, CLOCK FACE, 5 OUTLET, 3/4", TEEJET	-
	GA5077970	NOZZLE BODY, TRIPLE, TRIJET, CLOCK FACE, 1", TEEJET	-
2	GA5077496	E CLIP, NOZZLE BODY, TEEJET	1
	GA5077439	CHEMSAVER, DIAPHRAGM, TEEJET	
3	GA5077440	DIAPHRAGM, VITON, NOZZLE BODY CHECK VALVE, TEEJET	1
4	GA5076670	CHEMSAVER, 10PSI, BLACK, TEEJET	1
5	GA5077493	BODY, 360 SERIES 3/4", TEEJET	1
	GA5077494	BODY, 360 SERIES 1", TEEJET	1
6	GA5077596	O-RING, 14.5 X 2.5MM, BUNA	
	GA5077597	O-RING, VITON	1

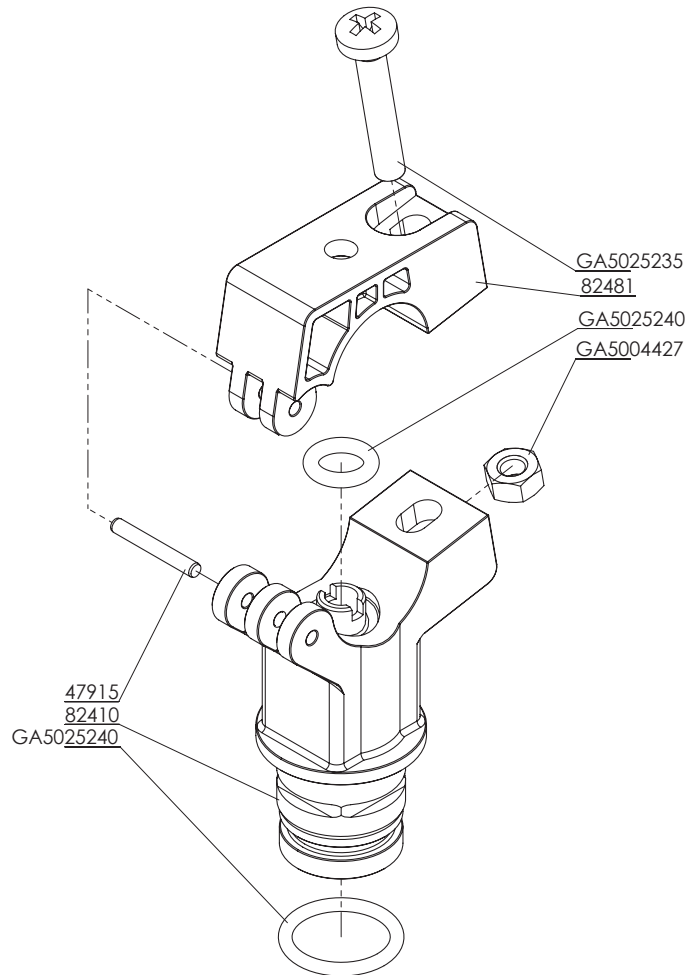
NOTE: See nozzle tip strainer, cap and nozzle sections on following pages for more detailed nozzle parts guide.

Continued over page

Nozzles - Teejet Clock Face Body

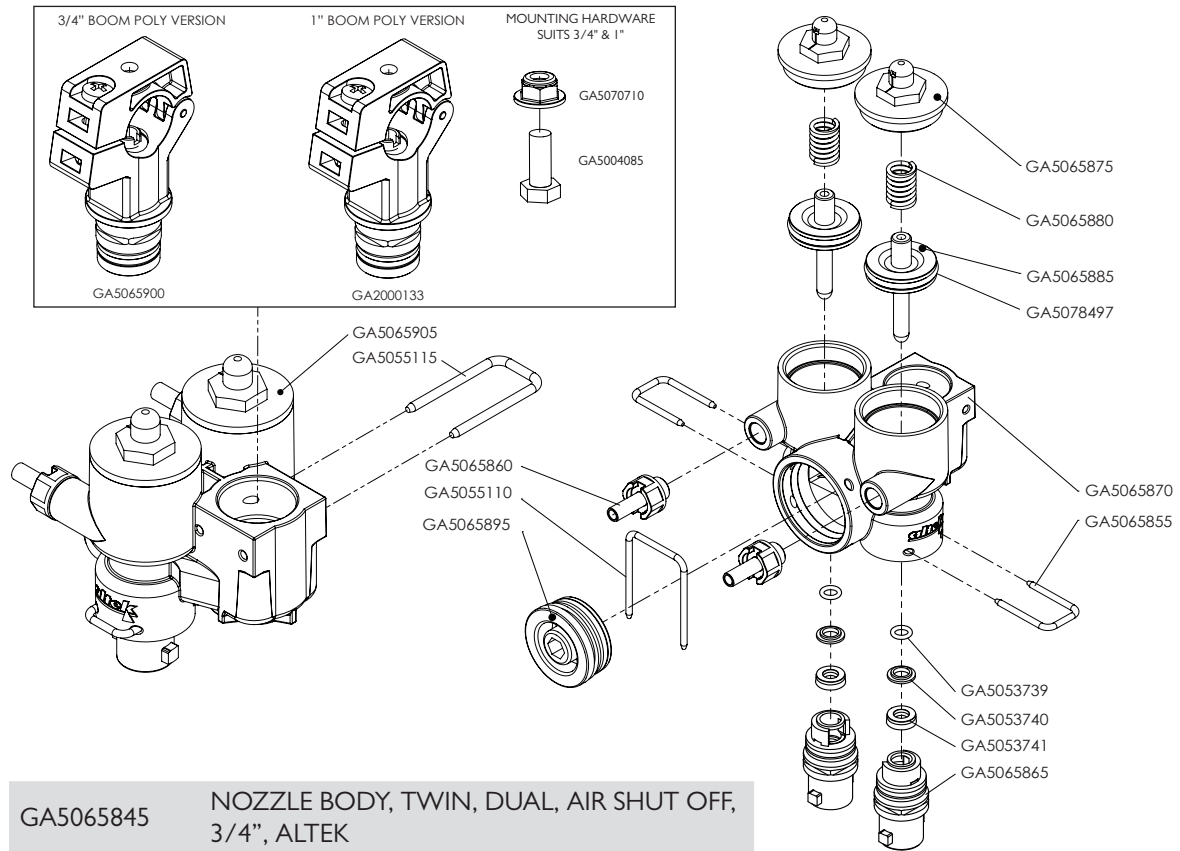
ITEM NO.	PART NUMBER	DESCRIPTION	QTY.
7	GA5077536	SCREW, SUIT TEEJET NOZZLE BODIES, 1-1/4" LONG, SS	1
8	GA5077532	NOZZLE BODY CLAMP, UPPER, 3/4", TEEJET	1
	GA5077533	NOZZLE BODY CLAMP, UPPER, 1", TEEJET	
9	GA5077537	PIN, NOZZLE BODY CLAMP, TEEJET	1
10	GA5004085	BOLT M8 X 20 GR8.8 ZP	1
11	GA5070710	NUT FLANGE PLASTIC M8 X 1.25	1
12	GA5077057	NOZZLE BODY EXTENSION, QUICK TEEJET TYPE, 1" LONG, BLACK, TEEJET	1

Nozzles - Altek Clamp



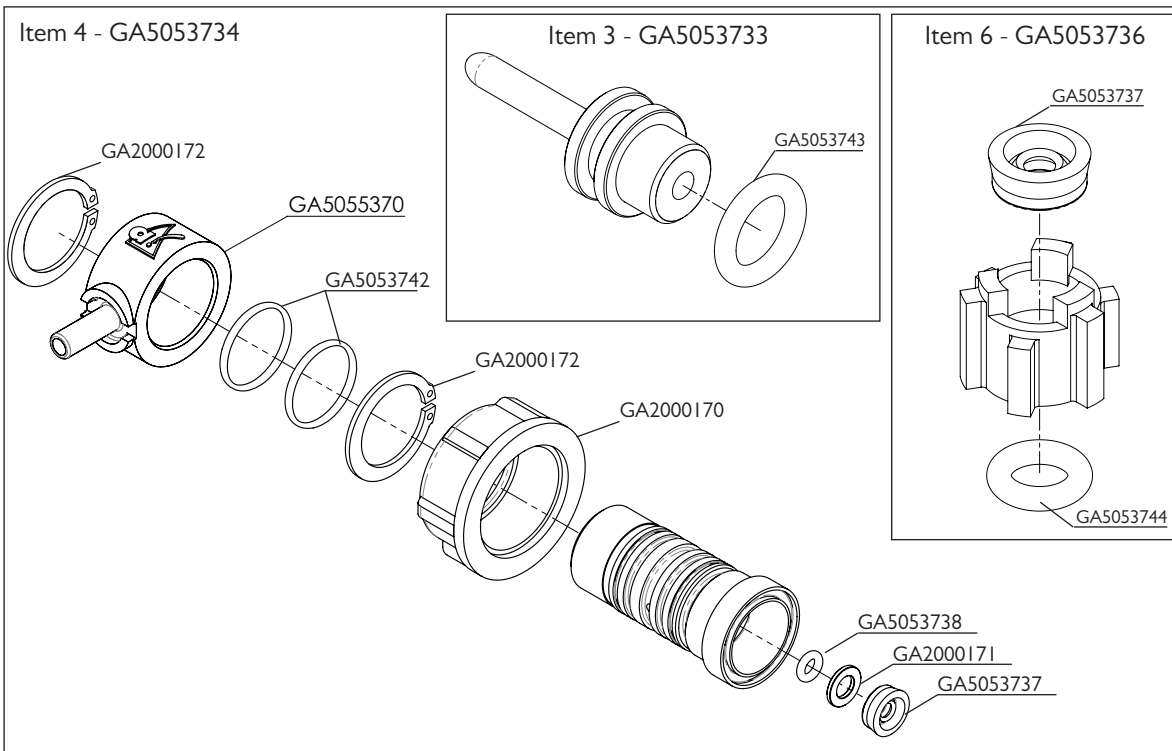
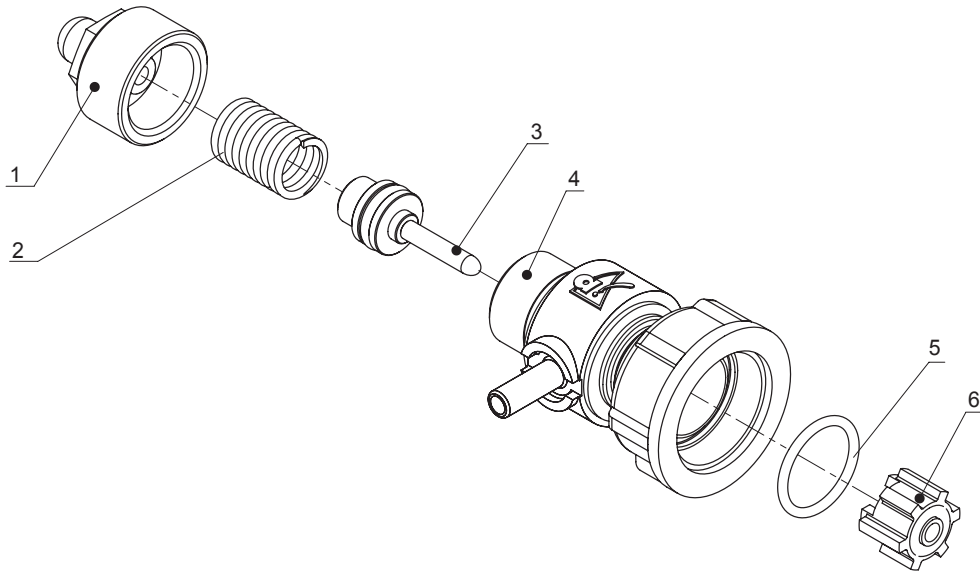
PART NUMBER	DESCRIPTION	QTY.
GA5065900	CLAMP, DUAL NOZZLE BODY, SUIT 3/4" BOOM POLY, INCLUDES SCREW, NUT AND O RING	-
GA2000133	CLAMP, DUAL NOZZLE BODY, SUIT 1" BOOM POLY, INCLUDES SCREW, NUT AND O RING	-
GA5025235	SCREW, M6, NOZZLE BODY CLAMP, ALTEK	1
82481	NOZZLE BODY CLAMP, UPPER SECTION, ALTEK	1
GA5025240	O-RING, 9.5 X 3 MM EPDM, NOZZLE BODY CLAMP, ALTEK	1
GA5004427	NUT M6 SS	1
47915	PIN, NOZZLE BODY CLAMP, ALTEK	1
82410	NOZZLE BODY CLAMP, LOWER SECTION, ALTEK	1
GA5025245	O-RING, 19 X 2.65 MM FPM80, NOZZLE BODY CLAMP, ALTEK	1

Nozzles - Altek Dual Spray Body



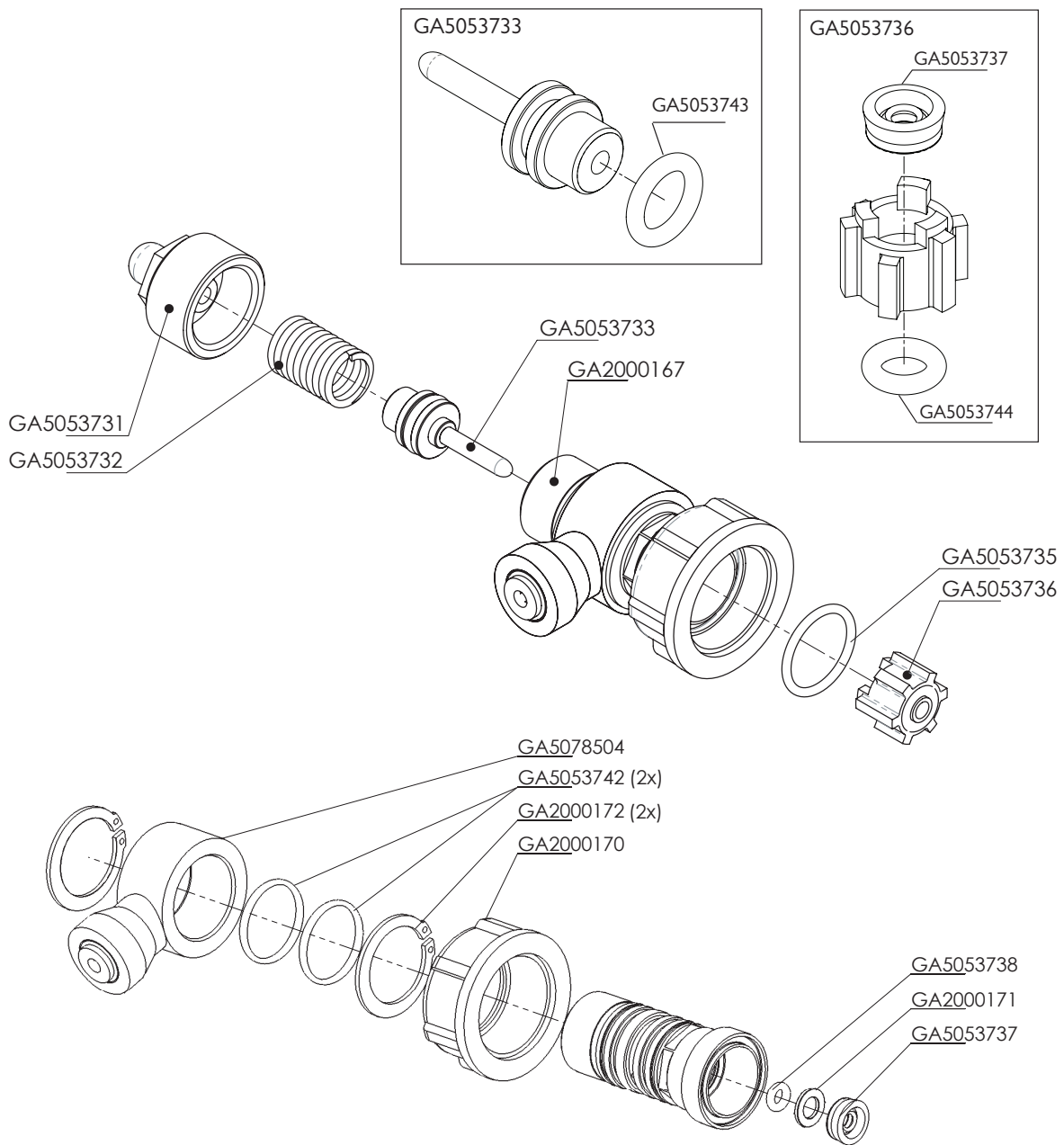
PART NUMBER	DESCRIPTION	QTY.
GA5065845	NOZZLE BODY, TWIN, DUAL, AIR SHUT OFF, 3/4", ALTEK	
GA5070710	NUT FLANGE PLASTIC M8 X 1.25	1
GA5004085	BOLT M8 X 20 GR8.8 ZP	1
GA5065900	NOZZLE BODY CLAMP, SUIT 3/4" BOOM POLY, INCLUDES SCREW, NUT AND O-RING	1
GA2000133	NOZZLE BODY CLAMP, SUIT 1" BOOM POLY, INCLUDES SCREW, NUT AND O-RING	1
GA5065905	LOWER BODY, MULTI SPRAY, ALTEK	1
GA5055115	U CLIP, 20 X 40 X 3MM	1
GA5065875	TOP CAP	2
GA5065880	SPRING	2
GA5065885	STAINLESS PISTON COMPLETE WITH O-RING	2
GA5078497	O-RING, 23.5 X 2.6 MM, FPM80	-
GA5065870	OUTER BODY	1
GA5065855	U-CLIP	2
GA5065865	OUTLET, VALVE INNER, NOZZLE BODY, ALTEK	2
GA5065860	HOSE BARB, AIR FITTING, 6MM HOSE, MALE THREAD, INCLUDES SEAL	2
GA5055110	U CLIP 30 X 41 X 2.5MM	1
GA5065895	SHUTOFF PLUG	1
GA5053739	O-RING, 5.6MM X 1.8MM FMP, SUIT GA5065845, ALTEK	2
GA5053740	RETAINING DISK, 11.8MM X 6.8MM X 2MM, SUIT GA5065845, ALTEK	2
GA5053741	LIP SEAL, 6MM X 12MM X 4.2MM FMP, SUIT GA5065845, ALTEK	2

Nozzles - Altek Spray Stop - Push On Type



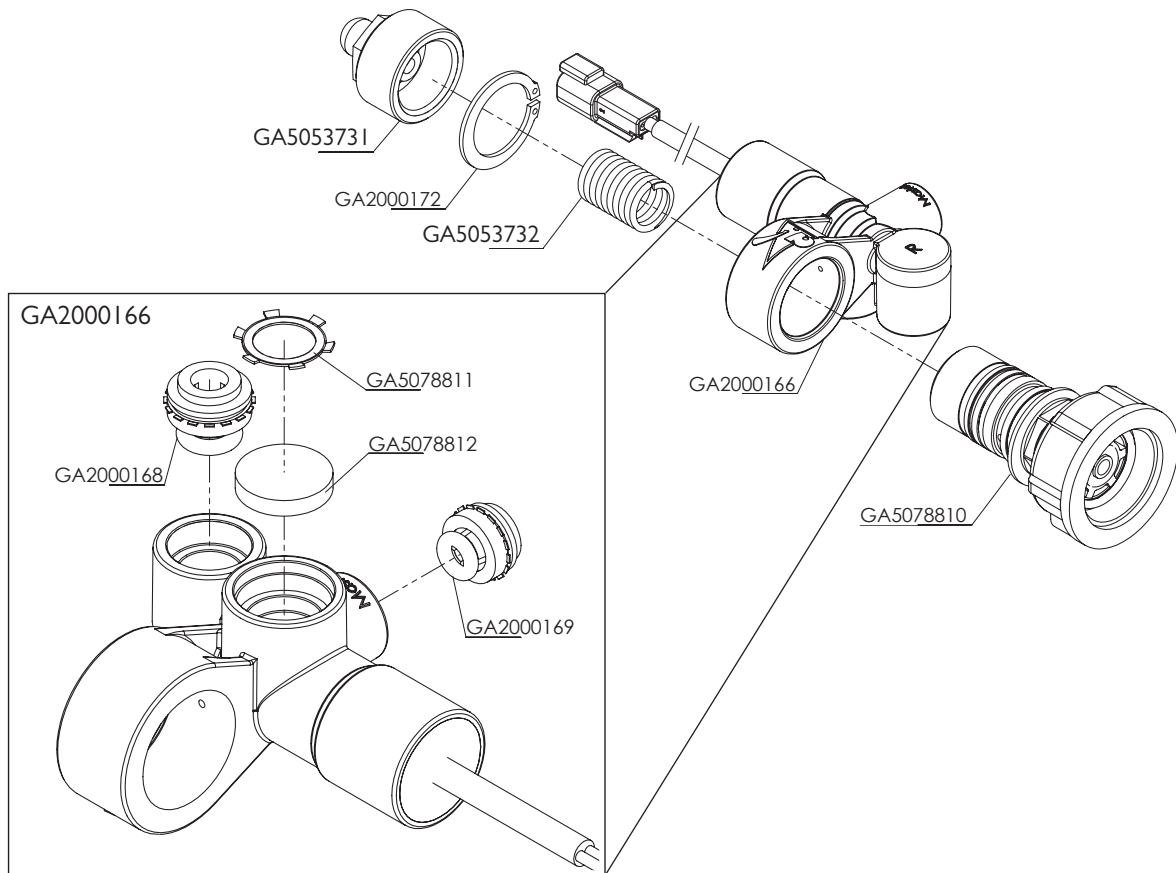
ITEM NO.	PART NUMBER	DESCRIPTION	QTY.
-	GA5065520	SPRAY STOP, RAPIDFIRE, SUIT TEEJET NOZZLE BODY, ALTEK	-
1	GA5053731	END CAP WITH BREATHER	1
2	GA5053732	SPRING, 10 BAR	1
3	GA5053733	PISTON	1
4	GA5053734	VALVE BODY	1
5	GA5053735	O-RING EXTERNAL	1
6	GA5053736	PLUNGER	1

Nozzles - Altek Spray Stop - Push In Type



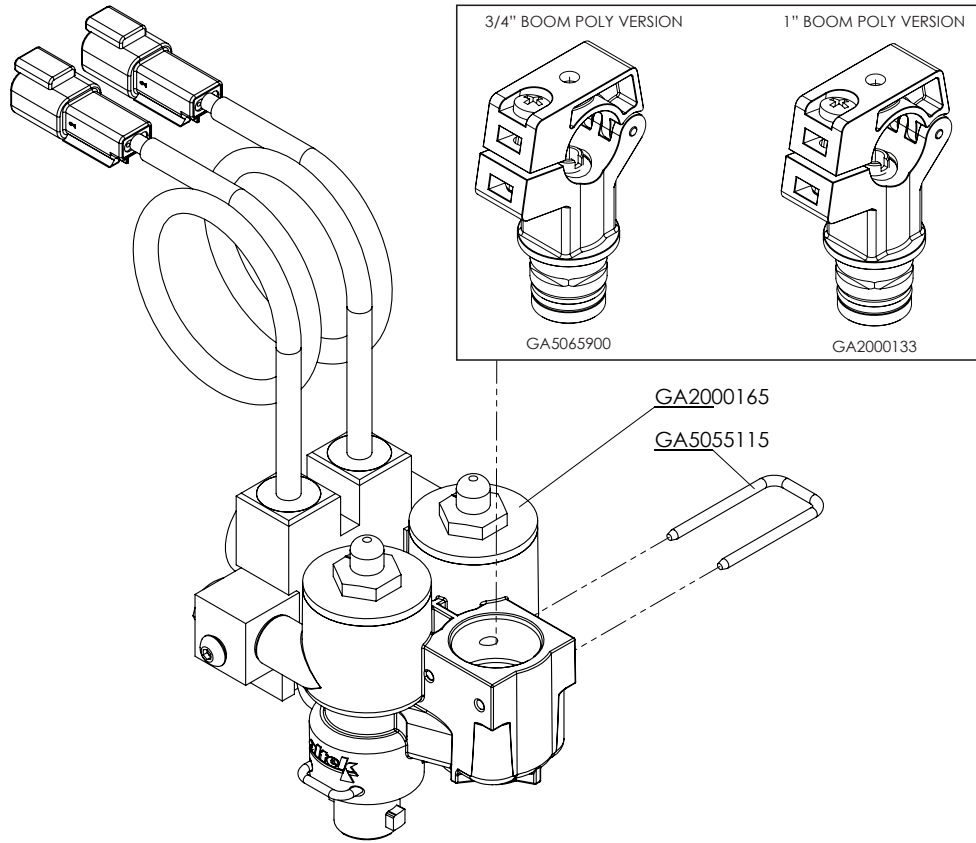
PART NUMBER	DESCRIPTION	QTY.
GA5065523	SPRAY STOP, 4MM, RAPIDFIRE, SUIT TEEJET NOZZLE BODY, ALTEK	-
GA5053731	END CAP WITH BREATHER	1
GA5053732	SPRING, 10 BAR	1
GA5053733	PISTON	1
GA5053734	VALVE BODY	1
GA5053735	O-RING EXTERNAL	1
GA5053736	PLUNGER	1

Nozzles - Direct Control - Single



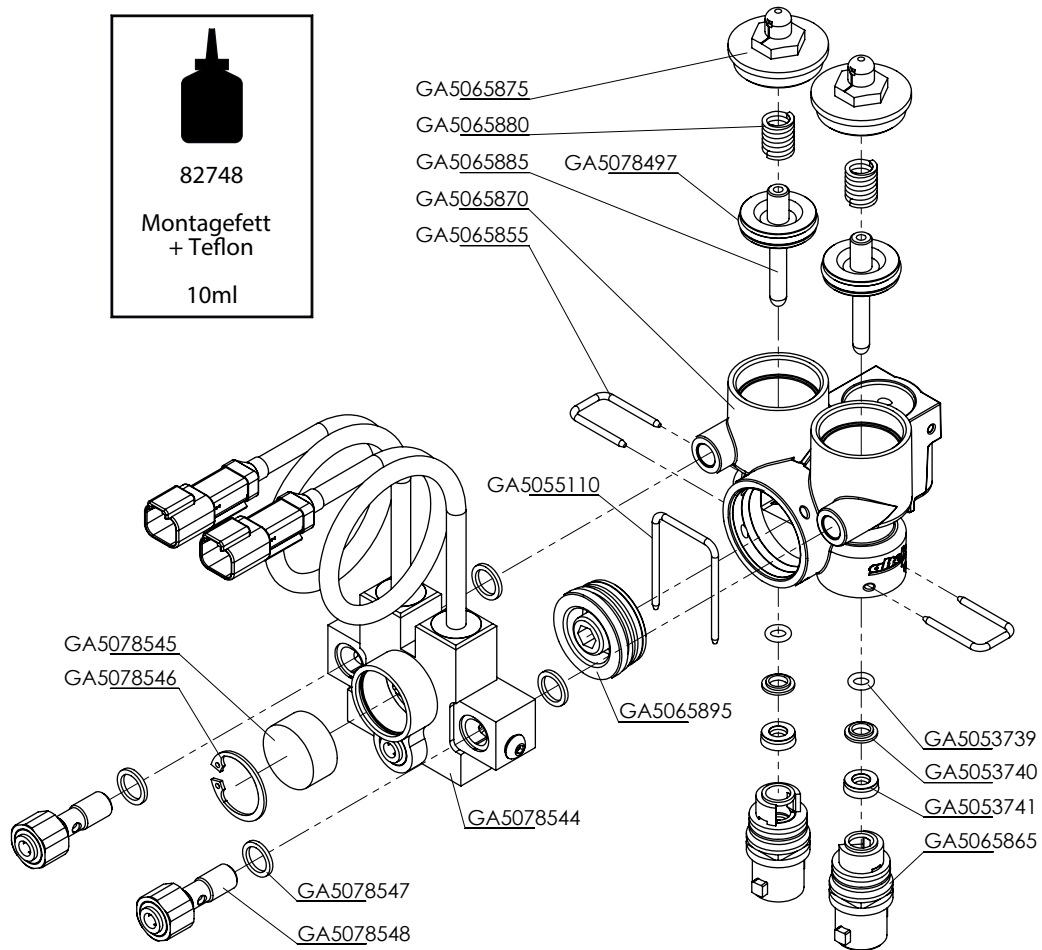
PART NUMBER	DESCRIPTION	QTY.
GA5065525	SPRAY STOP, SOLENOID DIRECT CONTROL, RAPIDFIRE, 6MM IN, 4MM OUT	-
GA5053731	END CAP WITH BREATHER, SUIT GA5065520 SPRAY STOP, ALTEK	1
GA2000172	CIRCLIP, SPRAY STOP, ALTEK, 81376	1
GA5053732	SPRING, 10 BAR, SUIT SPRAY STOP, ALTEK	1
GA2000166	SINGLE NOZZLE BODY ASSEMBLY, DIRECT CONTROL, DEUTSCH CONNECTOR	1
GA5078810	CARTRIDGE, SPRAY-STOP, TEEJET, 83224	1
GA5078811	CLIP, BREATHER RETAINER, ALTEK, 84033	1
GA5078812	BREATHER INSERT, DIRECT CONTROL, ALTEK, 84003	1
GA2000168	INLET CARTRIDGE, 6MM, PLASTIC, INCLUDES O-RING, ALTEK, 83250	1
GA2000169	OULET CARTRIDGE, 4MM, PLASTIC, INCLUDES O-RING, ALTEK, 83759	1

Nozzles - Direct Control - Dual



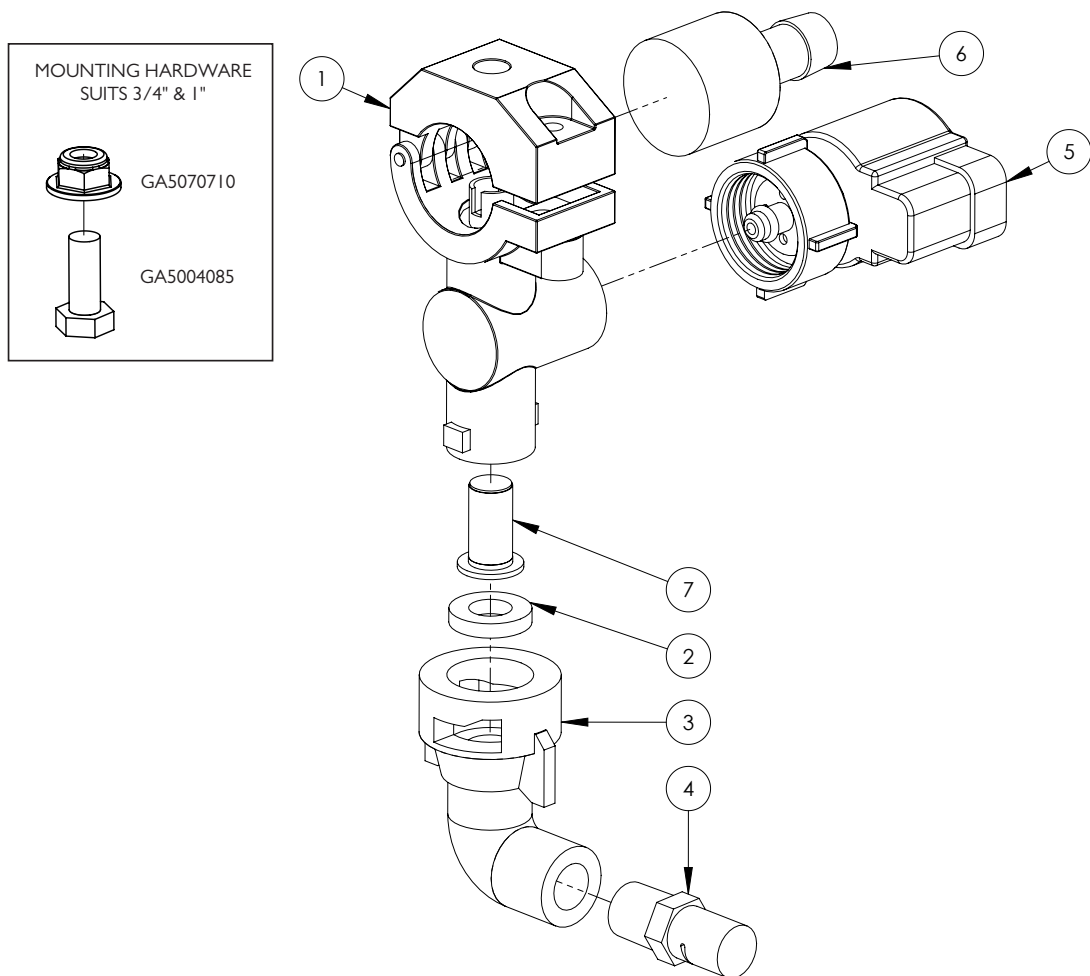
PART NUMBER	DESCRIPTION	QTY.
GA5065846	SPRAY STOP, NOZZLE BODY, TWIN, DUAL, SOLENOID DIRECT CONTROL MULTI-SPRAY MASTER, AIR SHUT OFF, 3/4"	-
GA5070710	NUT FLANGE PLASTIC M8 X 1.25	1
GA5004085	BOLT M8 X 20 GR8.8 ZP	1
GA5065900	NOZZLE BODY CLAMP, SUIT 3/4" BOOM POLY, INCLUDES SCREW, NUT AND O-RING	1
GA2000133	NOZZLE BODY CLAMP, SUIT 1" BOOM POLY, INCLUDES SCREW, NUT AND O-RING	1
GA2000165	DUAL NOZZLE BODY ASSEMBLY, DIRECT CONTROL	1
GA5055115	U CLIP, 20 X 40 X 3 MM, 82297, SUIT ALTEK NOZZLE BODY GA5065845	1

Nozzles - Direct Control - Dual Assembly



PART NUMBER	DESCRIPTION	QTY.
GA5078544	DUAL SOLENOID VALVE, INCLUDING 200MM CABLES & DEUTSCH CONNECTORS	1
GA5065870	HOUSING MULTI-SPRAY 2-NOZZLE	1
GA5053739	O-RING	2
GA5053740	STAINLESS WASHER	2
GA5053741	LIP SEAL 6 X 12 X 4.2 MM	2
GA5065865	NOZZLE HOLDER 5° COMPLETE, 0°, 0°	2
GA5065855	U-CLIP AS20	2
GA5065885	STAINLESS PISTON COMPLETE WITH O-RING	2
GA5078497	O-RING, 23.5 X 2.6 MM, FPM80	-
GA5065880	SPRING	2
GA5065875	CYLINDER CAP	2
GA5065895	BLANKING PLUG	1
GA5055110	U-CLIP 30 X 41 X 2.5 MM	1
GA5078547	SEAL, WHITE PVC	4
GA5078545	BREATHER INSERT, 25.5 X 12 X 12 MM	1
GA5078546	CIRCLIP, 26 X 1.2 MM	1
GA5078548	PUSH FITTING, AIR LINE, 6MM	2

Nozzles - Fence Line - Solenoid Operated



ITEM NO.	PART NUMBER	DESCRIPTION	QTY.
1	GA5077964	NOZZLE BODY, SINGLE, 3/4", TEEJET	1
	GA5077962	NOZZLE BODY, SINGLE, 1", TEEJET	1
	GA5070710	NUT FLANGE PLASTIC M8 X 1.25	1
	GA5004085	BOLT M8 X 20 GR8.8 ZP	1
2	GA5055245	WASHER, NOZZLE CAP SEAL, RUBBER, 19 OD X 9MM ID	1
3	GA5077986	NOZZLE CAP & WASHER, 90 DEGREE CAP, 1/4" NPT FEMALE OUTLET	1
4	GA8100339	NOZZLE, FENCE LINE, ORANGE, POLYMER, LEFT SIDE, 1/4" NPT, TEEJET	1
	GA8100340	NOZZLE, FENCE LINE, ORANGE, POLYMER, RIGHT SIDE, 1/4" NPT, TEEJET	1
5	GA5071785	SOLENOID, E-CHEMSAVER SUIT 2 PIN METRI-PACK, FENCE LINE	1
6	GA5077497	HOSE BARB SUIT NOZZLE BODY, SINGLE 1/2", NYLON, TEEJET	1
7	GA5076947	CHECK VALVE & FILTER SCREEN, NOZZLE TIP, 5PSI VALVE, 50 MESH	1

Nozzles - Tip Strainers

PART NUMBER	DESCRIPTION
GA5076947	TIP STRAINER, CHECK VALVE, 5 PSI, POLYPROPYLENE / STAINLESS STEEL, 50 MESH, TEEJET
GA5077158	TIP STRAINER, POLYPROPYLENE / STAINLESS STEEL, 24 MESH, TEEJET
GA5077159	TIP STRAINER, POLYPROPYLENE / STAINLESS STEEL, 50 MESH, TEEJET
GA5077160	TIP STRAINER, POLYPROPYLENE / STAINLESS STEEL, 80 MESH, TEEJET
GA5077156	TIP STRAINER, POLYPROPYLENE / STAINLESS STEEL, 100 MESH, TEEJET
GA5077157	TIP STRAINER, POLYPROPYLENE / STAINLESS STEEL, 200 MESH, TEEJET

Nozzles - IDK - Cap

PART NUMBER	DESCRIPTION
GA8100464	CAP TO SUIT IDK NOZZLE
GA5055245	CAP WASHER, IDK NOZZLE

Nozzles - IDK - Tips

PART NUMBER	DESCRIPTION	STRAINER
GA8100018	IDK 120-01, ORANGE, LECHLER	80 MESH
GA8100019	IDK 120-015, GREEN, LECHLER	50 MESH
GA8100020	IDK 120-02, YELLOW, LECHLER	50 MESH
GA8100021	IDK 120-025, PURPLE, LECHLER	50 MESH
GA8100022	IDK 120-03, BLUE, LECHLER	50 MESH
GA8100023	IDK 120-04, RED, LECHLER	50 MESH
GA8100024	IDK 120-05, BROWN, LECHLER	24 MESH
GA8100025	IDK 120-06, GREY, LECHLER	24 MESH
GA8100026	IDK 120-08, WHITE, LECHLER	24 MESH

Nozzles - ID3 - Cap

PART NUMBER	DESCRIPTION
GA8100059	CAP TO SUIT ID3 NOZZLE
GA5055245	CAP WASHER, ID3 NOZZLE

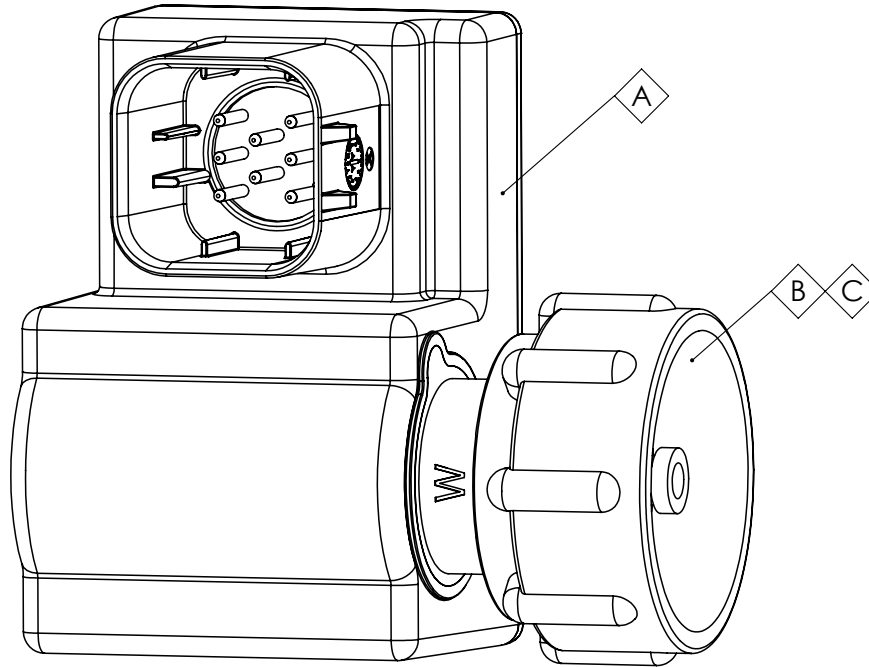
Nozzles - ID3 - Tips

PART NUMBER	DESCRIPTION	STRAINER
GA8100000	ID3 120-01, ORANGE, LECHLER	80 MESH
GA8100001	ID3 120-015, GREEN, LECHLER	50 MESH
GA8100002	ID3 120-02, YELLOW, LECHLER	50 MESH
GA8100003	ID3 120-025, PURPLE, LECHLER	50 MESH
GA8100004	ID3 120-03, BLUE, LECHLER	50 MESH
GA8100005	ID3 120-04, RED, LECHLER	50 MESH
GA8100006	ID3 120-05, BROWN, LECHLER	24 MESH
GA8100007	ID3 120-06, GREY, LECHLER	24 MESH
GA8100008	ID3 120-08, WHITE, LECHLER	24 MESH

Nozzles - AIXR - Tips

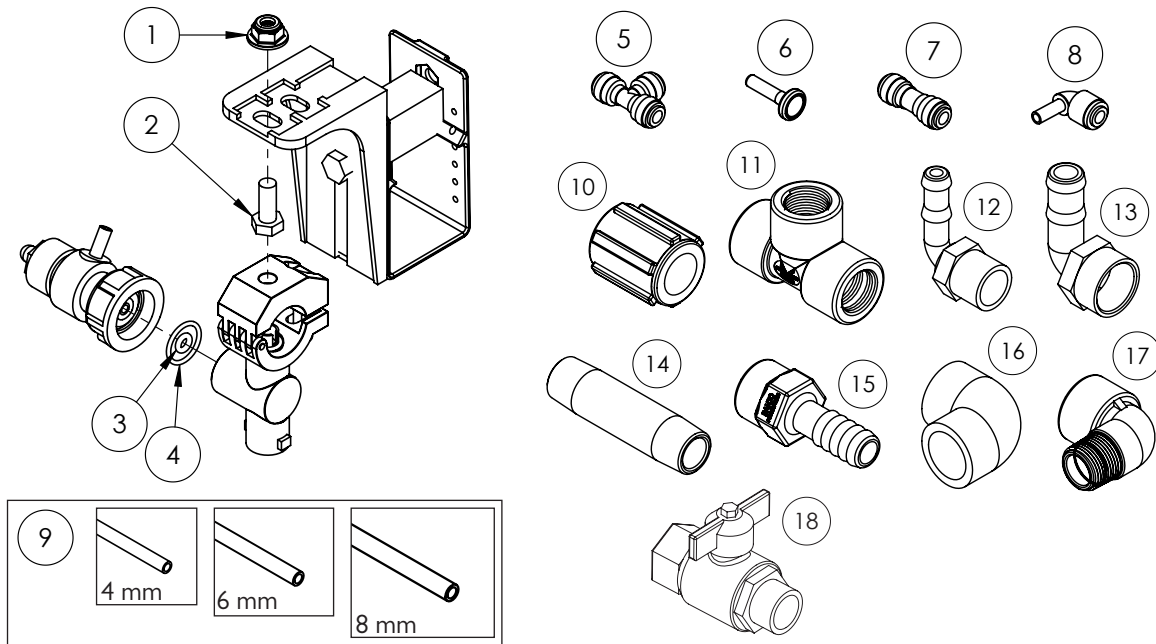
PART NUMBER	DESCRIPTION	STRAINER
GA8100429	AIXRI 10015VP, GREEN 015, POLYMER, TEEJET	100 MESH
GA8100430	AIXRI 10025VP, VIOLET 025, POLYMER, TEEJET	50 MESH
GA8100431	AIXRI 1002VP, YELLOW 02, POLYMER, TEEJET	50 MESH
GA8100432	AIXRI 1003VP, BLUE 03, POLYMER, TEEJET	50 MESH
GA8100433	AIXRI 1004VP, RED 04, POLYMER, TEEJET	50 MESH
GA8100434	AIXRI 1005VP, BROWN 05, POLYMER, TEEJET	50 MESH
GA8100435	AIXRI 1006VP, GREY 06, POLYMER, TEEJET	50 MESH

NCV Control Valve - Hawkeye 2



ITEM NO.	PART NUMBER	DESCRIPTION	QTY.
-	GA3000511	NCV, NOZZLE CONTROL VALVE, PWM, HAWKEYE 2, SUIT TEEJET, WITH O-RING, RAVEN 10632005001	-
-	GA3000530	NCV PLUNGERS AND SEALS HAWKEYE 2, 100 KIT, VITON, BLACK 11172005064	-
-	GA3000531	NCV SEVERE DUTY PLUNGERS AND SEALS HAWKEYE 2, 100 KIT, VITON EXTREME, YELLOW, 11171005216	-
A	GA3000525	NCV REPAIR SERVICE KIT, INDIVIDUAL, HAWKEYE 2, SUIT TEEJET, RAVEN, 11172005060	-
B	GA3000528	O-RING, 38 PACK, VITON BLACK SIZE -116, SUIT HAWKEYE 2 NCV, TEEJET TURRET, 12192005116M	-
C	GA3000529	O-RING, 38 PACK, VITON PURPLE SIZE -115, SUIT HAWKEYE 2 NCV, TEEJET TURRET, 12192005115M	-

Plumbing Lines - Miscellaneous



Quantities vary

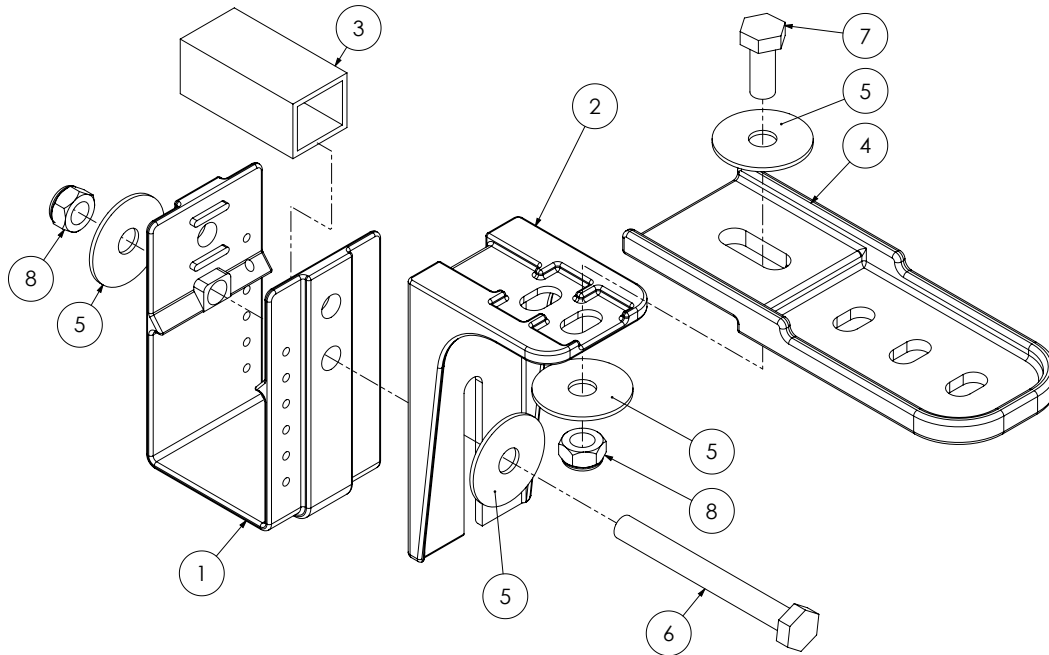
ITEM NO.	PART NUMBER	DESCRIPTION	QTY.
1	GA5070710	NUT WITH FLANGE, PLASTIC, M8 X 1.25P	#
2	GA5004085	BOLT M8 X 20 GR8.8 ZP	#
3	GA5065521	O RING, 6.02 X 2.62 MM, SUITS SPRAY STOP INNER	#
4	GA5053135	O RING, 18 X 2 MM, SUIT SPRAY STOP OUTER	#
	GA5016246	TEE, EQUAL, 4MM PUSH IN TYPE, BLACK PLASTIC	#
5	GA5016245	TEE, EQUAL, 6MM PUSH IN TYPE, BLACK PLASTIC	#
	GA5067010	TEE, EQUAL, 8MM PUSH IN TYPE, BLACK PLASTIC	#
6	GA5004405	PLUG, PUSH IN, 6MM	#
	GA5066991	PNEUMATIC FITTING, PUSH IN, JOINER, 6MM	#
7	GA5054600	PUSH IN FITTING, REDUCER, STRAIGHT, 6MM TO 4MM	#
	GA5065175	PUSH IN FITTING, REDUCER, STRAIGHT, 8MM TO 6MM	#
8	GA5071215	STEM ELBOW, SUIT 6MM AIR LINE, PUSH IN	#
	GA5004384	TUBE, NYLON, 4MM, BLACK	#
	GA5004386	TUBE, NYLON, 4MM, BLUE	#
9	GA5004383	TUBE, NYLON, 6MM, BLACK	#
	GA5004385	TUBE, NYLON, 6MM, BLUE	#
	GA7000002	TUBE, NYLON, 6MM, RED	#
	GA5004382	TUBE, NYLON, 8MM, BLACK	#
10	GA5077637	COUPLING, SOCKET, 3/4" FEMALE THREAD	#
	GA5077638	COUPLING, SOCKET, 1" FEMALE THREAD	#
11	GA5078150	TEE, THREADED, 3/4" FEMALE	#
	GA5078151	TEE, THREADED, 1" FEMALE	#

Continued over page

Plumbing Lines - Miscellaneous

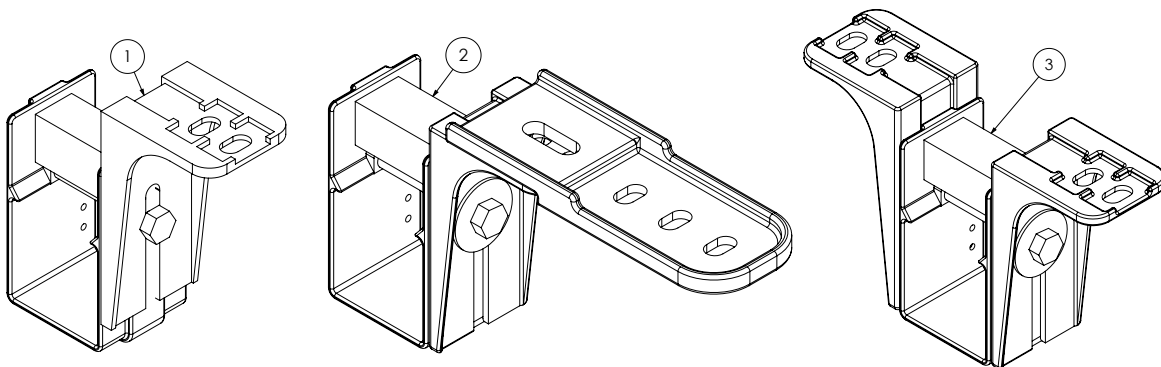
ITEM NO.	PART NUMBER	DESCRIPTION	QTY.
12	GA5077710	HOSE BARB, ELBOW, 90 DEGREE, 3/4" MALE THREAD X 1/2" HOSE	#
	GA5077723	HOSE BARB, ELBOW, 90 DEGREE, 1" MALE THREAD X 1" HOSE	#
13	GA5077746	HOSE BARB, ELBOW, 90 DEGREE, 3/4" FEMALE THREAD X 3/4" HOSE	#
14	GA5049090	BSP RISER 3/4" X 100 MM	#
15	GA5077743	HOSE BARB, STRAIGHT, 3/4" FEMALE X 3/4" HOSE	#
	GA5077747	HOSE BARB, STRAIGHT, 1" FEMALE THREAD X 1" HOSE	#
16	GA5077653	STREET ELBOW, 90 DEGREE, 3/4" FEMALE THREAD	#
	GA5077655	STREET ELBOW, 90 DEGREE, 1" FEMALE THREAD	#
17	GA5078135	STREET ELBOW, 90 DEGREE, 3/4" FEMALE THREAD X 3/4" MALE THREAD	#
	GA5078137	STREET ELBOW, 90 DEGREE, 1" FEMALE THREAD X 1" MALE THREAD	#
18	GA5018315	VALVE, BALL, 20MM MALE & FEMALE THREAD, BLACK BUTTERFLY HANDLE	#

Plumbing Lines - Nozzle Brackets



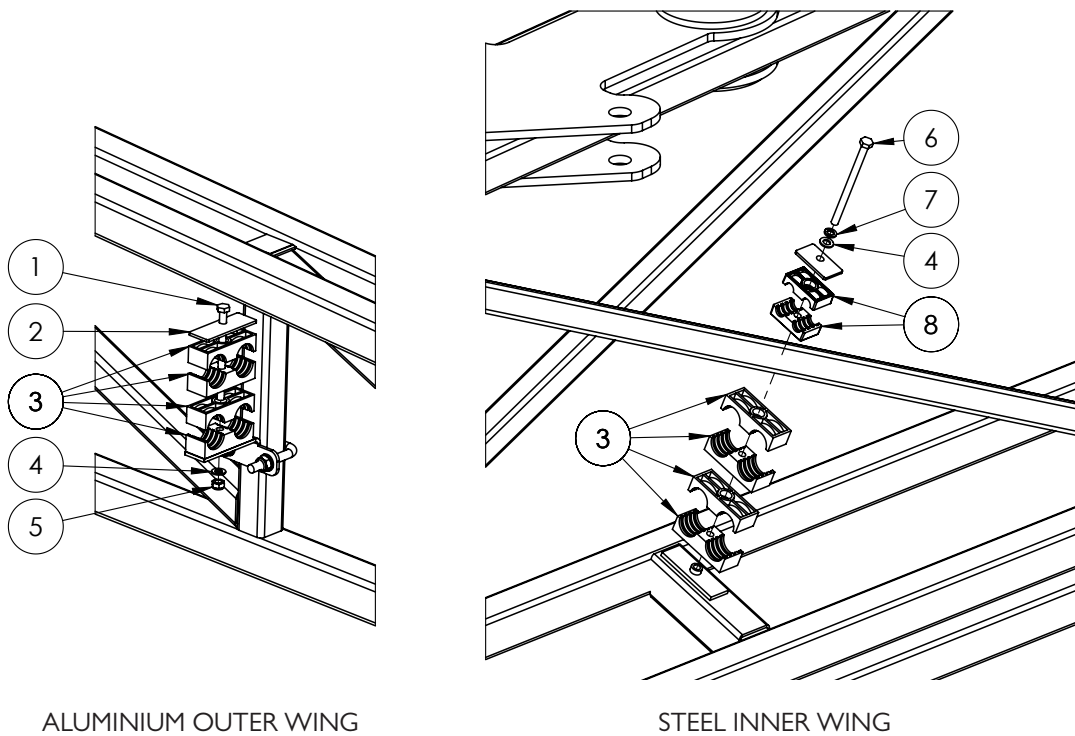
ITEM NO.	PART NUMBER	DESCRIPTION	QTY
1	GA5018259	NOZZLE BRACKET, PLASTIC, U SHAPE	1
2	GA5018257	NOZZLE BRACKET, PLASTIC, L SHAPE, SHORT	1
	GA5018258	NOZZLE BRACKET, PLASTIC, L SHAPE, LONG	
3	GA5066965	SPACER SUIT NOZZLE BRACKETS	1
4	GA5018255	BRACKET, NOZZLE EXTENSION, PLASTIC	1
5	GA5003645	WASHER 5/16" ID X 1 1/4" OD FLAT SS	4
6	GA5004741	BOLT M8 X 75 GR8.8 ZP	1
7	GA5004085	BOLT M8 X 20 GR8.8 ZP	1
8	GA5004917	NUT M8 NYLOC ZP	2

Plumbing Lines - Nozzle Bracket Kits



ITEM NO.	PART NUMBER	DESCRIPTION
1	GA4948675-SK	NOZZLE BRACKET KIT, SINGLE LINE, SUIT 50MM RHS
2	GA4948695-SK	NOZZLE BRACKET KIT, SINGLE LINE WITH EXTENSION, SUIT 50MM RHS
3	GA4948685-SK	NOZZLE BRACKET KIT, DUAL LINE, SUIT 50MM RHS

Boom Pipe Clamps - 36-42m



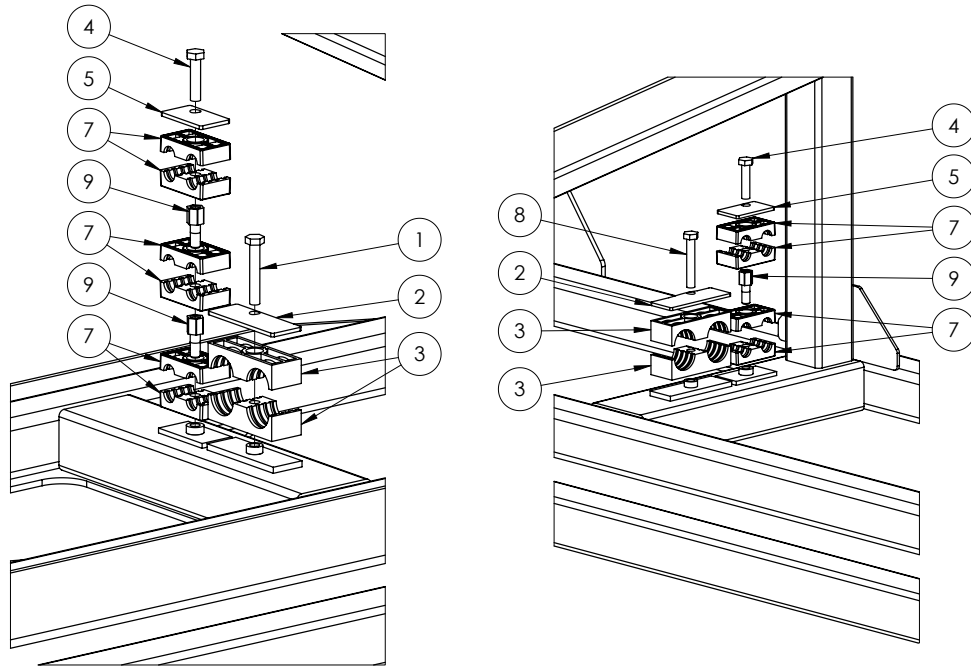
ALUMINIUM OUTER WING

STEEL INNER WING

Quantities vary

ITEM NO.	PART NUMBER	DESCRIPTION	QTY.
1	GA5004933	BOLT M8 X 110 GR8.8 ZP	#
2	GA5078049	MOUNTING CLAMP, DOUBLE TYPE, PLATE, TOP, GROUP 4	#
3	GA5078038	MOUNTING CLAMP, DOUBLE TYPE, JAW, PAIR, GROUP 4, 28MM	#
4	GA5003643	WASHER 8MM FLAT SS HD	#
5	GA5052590	NUT M8 NYLOC SS	#
6	GA5011501	BOLT M8 X 120 GR8.8 ZP	#
7	GA5004919	WASHER 8MM SPRING SS	#
8	GA5078031	MOUNTING CLAMP, DOUBLE TYPE, JAW, PAIR, GROUP 2, 14MM	#

Boom Pipe Clamps - 48m

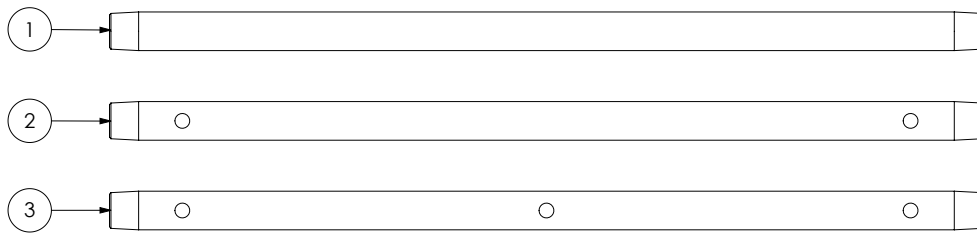


STEEL INNER WING

Quantities vary

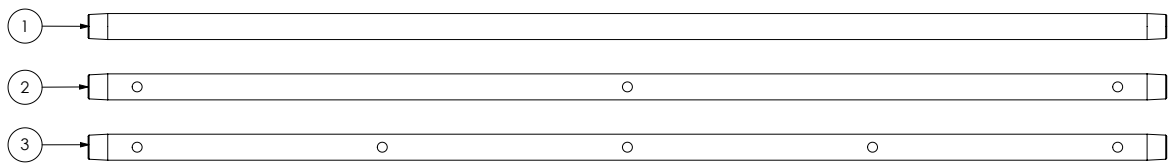
ITEM NO.	PART NUMBER	DESCRIPTION	QTY.
1	GA5004727	BOLT M8 X 50 GR8.8 ZP	#
2	GA5078049	MOUNTING CLAMP, DOUBLE TYPE, PLATE, TOP, GROUP 4	#
3	GA5078038	MOUNTING CLAMP, DOUBLE TYPE, JAW, PAIR, GROUP 4, 28MM	#
4	GA5011481	BOLT M8 X 35 GR8.8 ZP	#
5	GA5078042	DOUBLE CLAMP PLATE TOP GR2	#
6	GA4600635	BOOM WING, INNER, 48M, LH, STEEL	#
7	GA5078031	DOUBLE CLAMP JAWS PP GR 2 14MM	#
8	GA5054700	BOLT M8 X 50 SS A2-70	#
9	GA5070740	BUILD UP BOLT, STACKING, M8 X 20, WITH WASHER	#
	GA5070760	LOCKING PLATE SUIT HYDAC CLAMPS, BUILD UP BOLT, STACKING	#

Boom Poly - 3/4" - 600mm



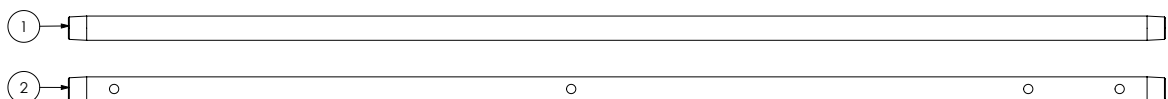
ITEM NO.	PART NUMBER	DESCRIPTION
1	GA5018287	BOOM LINE, POLY, 3/4", 600 LONG, NO HOLES
2	GA2000510	BOOM LINE, POLY, 3/4", 600 LONG, 2 HOLES, 500MM SPACING
3	GA2000511	BOOM LINE, POLY, 3/4", 600 LONG, 3 HOLES, 250MM SPACING

Boom Poly - 3/4" - 1100mm



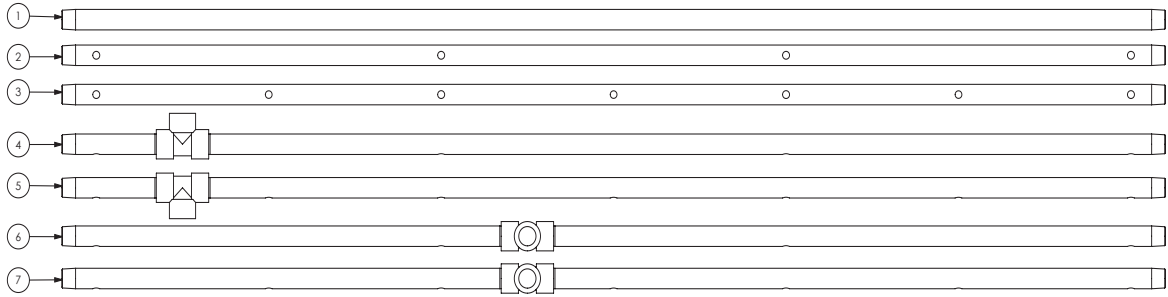
ITEM NO.	PART NUMBER	DESCRIPTION
1	GA5018269	BOOM LINE, POLY, 3/4", 1100 LONG, NO HOLES
2	GA2000506	BOOM LINE, POLY, 3/4", 1100 LONG, 3 HOLES, 500MM SPACING
3	GA2000507	BOOM LINE, POLY, 3/4", 1100 LONG, 5 HOLES, 250MM SPACING

Boom Poly - 3/4" - 1200mm



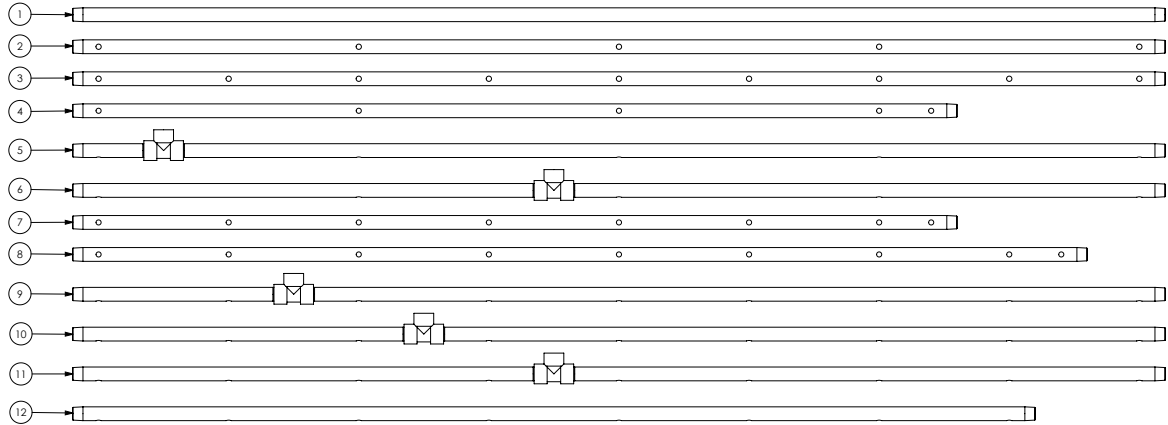
ITEM NO.	PART NUMBER	DESCRIPTION
1	GA5018271	BOOM LINE, POLY, 3/4", 1200 LONG, NO HOLES
2	GA2000515	BOOM LINE, POLY, 3/4", 1200 LONG, 3 HOLES PLUS FENCELINE, 500MM SPACING

Boom Poly - 3/4" - 1600mm



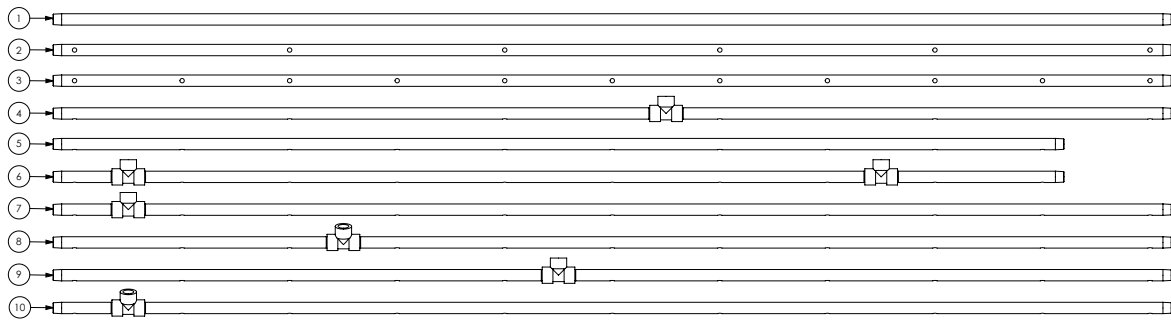
ITEM NO.	PART NUMBER	DESCRIPTION
1	GA5018273	BOOM LINE, POLY, 3/4", 1600 LONG, NO HOLES
2	GA2000500	BOOM LINE, POLY, 3/4", 1600 LONG, 4 HOLES, 500MM SPACING
3	GA2000501	BOOM LINE, POLY, 3/4", 1600 LONG, 7 HOLES, 250MM SPACING
4	GA2000520	BOOM LINE, POLY, 3/4", 1600 LONG, 4 HOLES, 500MM SPACING, TEE 175MM
5	GA2000521	BOOM LINE, POLY, 3/4", 1600 LONG, 7 HOLES, 250MM SPACING, TEE 175MM
6	GA2000522	BOOM LINE, POLY, 3/4", 1600 LONG, 4 HOLES, 500MM SPACING, TEE 675MM 90 DEG.
7	GA2000523	BOOM LINE, POLY, 3/4", 1600 LONG, 7 HOLES, 250MM SPACING, TEE 675MM 90 DEG.

Boom Poly - 3/4" - 2100mm



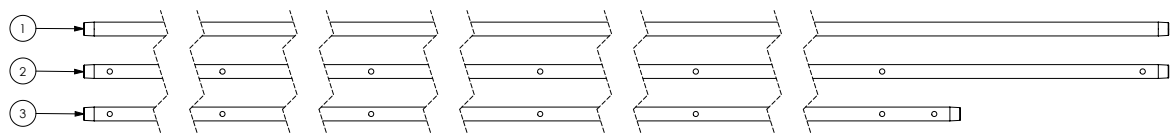
ITEM NO.	PART NUMBER	DESCRIPTION
1	GA5018275	BOOM LINE, POLY, 3/4", 2100 LONG, NO HOLES
2	GA2000502	BOOM LINE, POLY, 3/4", 2100 LONG, 5 HOLES, 500MM SPACING
3	GA2000503	BOOM LINE, POLY, 3/4", 2100 LONG, 9 HOLES, 250MM SPACING
4	GA2000525	BOOM LINE, POLY, 3/4", 1700 LONG, 4 HOLES PLUS FENCELINE, 500MM SPACING
5	GA2000526	BOOM LINE, POLY, 3/4", 2100 LONG, 5 HOLES, 500MM SPACING, TEE 175MM
6	GA2000527	BOOM LINE, POLY, 3/4", 2100 LONG, 5 HOLES, 500MM SPACING, TEE 925MM
7	GA2000530	BOOM LINE, POLY, 3/4", 1700 LONG, 7 HOLES PLUS FENCELINE, 250MM SPACING
8	GA2000531	BOOM LINE, POLY, 3/4", 1950 LONG, 8 HOLES PLUS FENCELINE, 250MM SPACING
9	GA2000532	BOOM LINE, POLY, 3/4", 2100 LONG, 9 HOLES, 250MM SPACING, TEE 425MM
10	GA2000533	BOOM LINE, POLY, 3/4", 2100 LONG, 9 HOLES, 250MM SPACING, TEE 675MM
11	GA2000534	BOOM LINE, POLY, 3/4", 2100 LONG, 9 HOLES, 250MM SPACING, TEE 925MM
12	GA2000535	BOOM LINE, POLY, 3/4, 1850 LONG, 8 HOLES, 250MM SPACING

Boom Poly - 3/4" - 2600mm



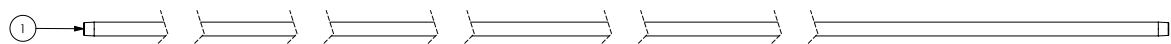
ITEM NO.	PART NUMBER	DESCRIPTION
1	GA5018279	BOOM LINE, POLY, 3/4", 2600 LONG, NO HOLES
2	GA2000504	BOOM LINE, POLY, 3/4", 2600 LONG, 6 HOLES, 500MM SPACING
3	GA2000505	BOOM LINE, POLY, 3/4", 2600 LONG, 11 HOLES, 250MM SPACING
4	GA2000540	BOOM LINE, POLY, 3/4", 2600 LONG, 6 HOLES, 500MM SPACING, TEE 1175MM
5	GA2000541	BOOM LINE, POLY, 3/4", 2350 LONG, 10 HOLES, 250MM SPACING
6	GA2000542	BOOM LINE, POLY, 3/4", 2600 LONG, 10 HOLES, 250MM SPACING, TEE 175MM & 1925MM
7	GA2000543	BOOM LINE, POLY, 3/4", 2600 LONG, 11 HOLES, 250MM SPACING, TEE 175MM
8	GA2000544	BOOM LINE, POLY, 3/4", 2600 LONG, 11 HOLES, 250MM SPACING, TEE 675MM ANGLED
9	GA2000545	BOOM LINE, POLY, 3/4", 2600 LONG, 11 HOLES, 250MM SPACING, TEE 1175MM
10	GA2000546	BOOM LINE, POLY, 3/4", 2600 LONG, 11 HOLES, 250MM SPACING, TEE 175MM ANGLED

Boom Poly - 3/4" - 3100mm



ITEM NO.	PART NUMBER	DESCRIPTION
1	GA5018281	BOOM LINE, POLY, 3/4", 3100 LONG, NO HOLES
2	GA2000508	BOOM LINE, POLY, 3/4", 3100 LONG, 7 HOLES, 500MM SPACING
3	GA2000550	BOOM LINE, POLY, 3/4", 2700 LONG, 6 HOLES, 500MM SPACING

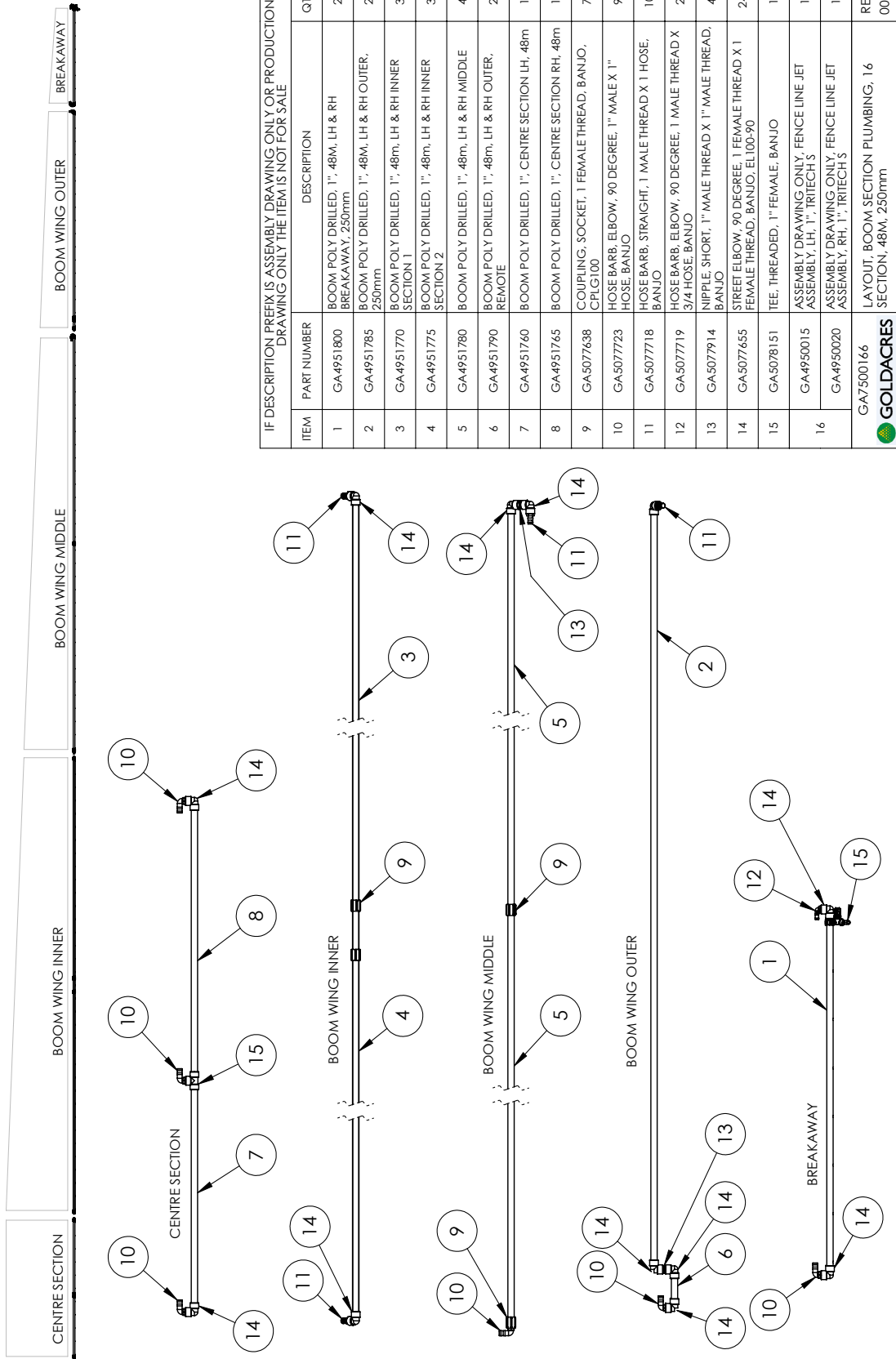
Boom Poly - 1" - 6000mm



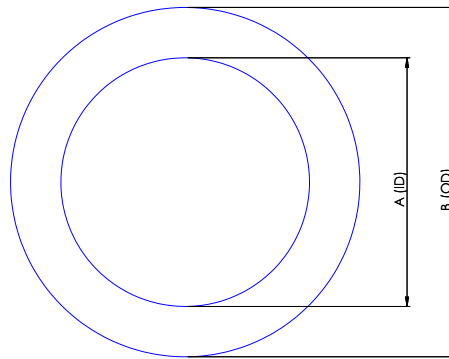
ITEM NO.	PART NUMBER	DESCRIPTION
1	GA2000130	BOOM LINE, POLY, 1", 6000MM LENGTH, NO HOLES

NOTE: The 1" boom poly is used exclusively on the 48 metre boom option.

Boom Plumbing - 48m



Hoses



SUCTION HOSE

PART NUMBER	DESCRIPTION	INTERNAL DIAMETER (A)	OUTSIDE DIAMETER (B)
GA2000218	20MM SUCTION HOSE	20MM	32MM
GA2000222	25MM SUCTION HOSE	25MM	35MM
GA2000224	32MM SUCTION HOSE	32MM	45MM
GA2000226	38MM SUCTION HOSE	38MM	48MM
GA2000229	51MM SUCTION HOSE	51MM	63MM
GA2000230	63MM SUCTION HOSE	63MM	76MM
GA2000232	75MM SUCTION HOSE	75MM	93MM

NOTE: Suction hose can be identified by its external green stripe and wire reinforcement.

PRESSURE HOSE

PART NUMBER	DESCRIPTION	INTERNAL DIAMETER (A)	OUTSIDE DIAMETER (B)
GA2000200	7MM PRESSURE HOSE	7MM	12.5MM
GA2000211	13MM PRESSURE HOSE	13MM	20MM
GA2000216	20MM PRESSURE HOSE	20MM	28MM
GA2000219	25MM PRESSURE HOSE	25MM	34MM
GA2000223	32MM PRESSURE HOSE	32MM	43MM
GA2000225	38MM PRESSURE HOSE	38MM	48MM

NOTE: Pressure hose can be identified by its blue internal layer.

PVC HOSE

PART NUMBER	DESCRIPTION	INTERNAL DIAMETER (A)	OUTSIDE DIAMETER (B)
GA2000220	25MM PVC HOSE	25MM	32MM
GA2000227	40MM PVC HOSE	40MM	50MM
GA2000228	50MM PVC HOSE	50MM	58MM

NOTE: PVC Hose can be identified by its ribbed outer surface.

SIGHT TUBE HOSE

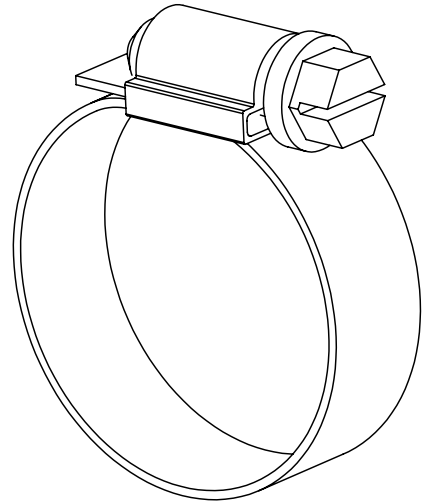
PART NUMBER	DESCRIPTION	INTERNAL DIAMETER (A)	OUTSIDE DIAMETER (B)
GA2000209	12MM CLEAR SIGHT TUBE HOSE	12MM	-
GA2000210	12MM CLEAR SIGHT TUBE HOSE WITH WIRE	12MM	-

LAY FLAT HOSE

PART NUMBER	DESCRIPTION	INTERNAL DIAMETER (A)	OUTSIDE DIAMETER (B)
GA2000220	25MM PVC HOSE	25MM	32MM

Hose Clamps

PART NUMBER	DESCRIPTION
GA5004865	8-16MM HOSE CLAMP
GA5000469	12-20MM HOSE CLAMP
GA5000999	16-25MM HOSE CLAMP
GA5001681	20-32MM HOSE CLAMP
GA5016813	25-40MM HOSE CLAMP
GA5002783	30-45MM HOSE CLAMP
GA5002873	32-50MM HOSE CLAMP
GA5003325	40-60MM HOSE CLAMP
GA5016815	50-70MM HOSE CLAMP
GA5004241	60-80MM HOSE CLAMP



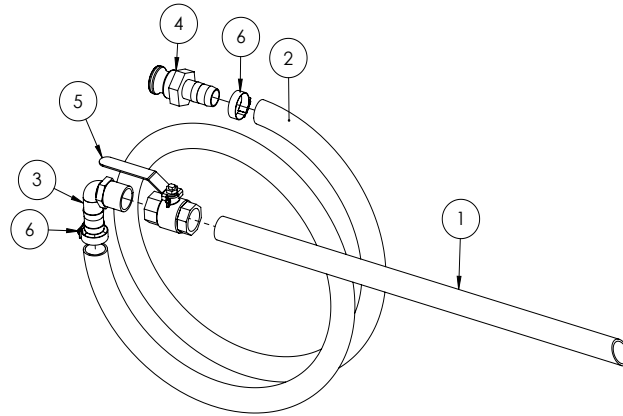
Cable Ties

PART NUMBER	DESCRIPTION
GA5002173	CABLE TIE, BLACK, 100 X 2.5MM
GA5003517	CABLE TIE, BLACK, 140 X 3.5MM
GA5004455	CABLE TIE, BLACK, 190 X 4.5MM
GA5000685	CABLE TIE, BLACK, 320 X 7.5MM
GA5000687	CABLE TIE, BLACK, 360 X 4.5MM
GA5021235	CABLE TIE, BLACK, 540 X 7.5MM

Spiral Guard

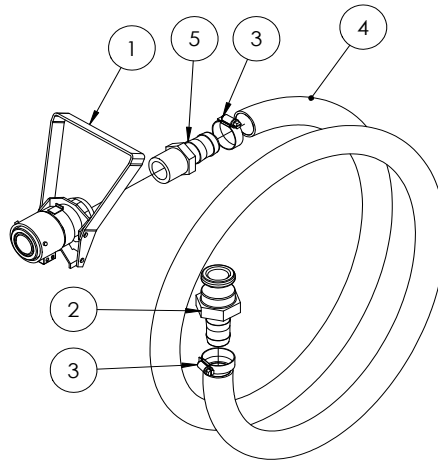
PART NUMBER	DESCRIPTION
GA5015669	SPIRAL GUARD, BLACK

Chemical Probe Hose Lance



ITEM NO.	PART NUMBER	DESCRIPTION	QTY.
-	GA4948250	CHEMICAL SUCTION PROBE, ASSEMBLED	-
1	GA5013603	POLY PIPE 25 (CUT 630MM LONG)	1
2	GA2000220	HOSE, SUCTION, PVC, 25MM, BLACK - CUT 3200 MM LONG	1
3	GA5077723	HOSE BARB, ELBOW, 90 DEGREE, 1" MALE X 1" HOSE, BANJO	1
4	GA5076011	CAM LEVER, 1" MALE COUPLING X 1" HOSE BARB, BANJO	1
5	GA5018319	VALVE, BALL, 25MM FEMALE THREAD INLET / OUTLET, LEVER HANDLE, SS	1
6	GA5001681	HOSE CLAMP, 1" SS (20-32/12W)	2

Enviro Coupling & Hose

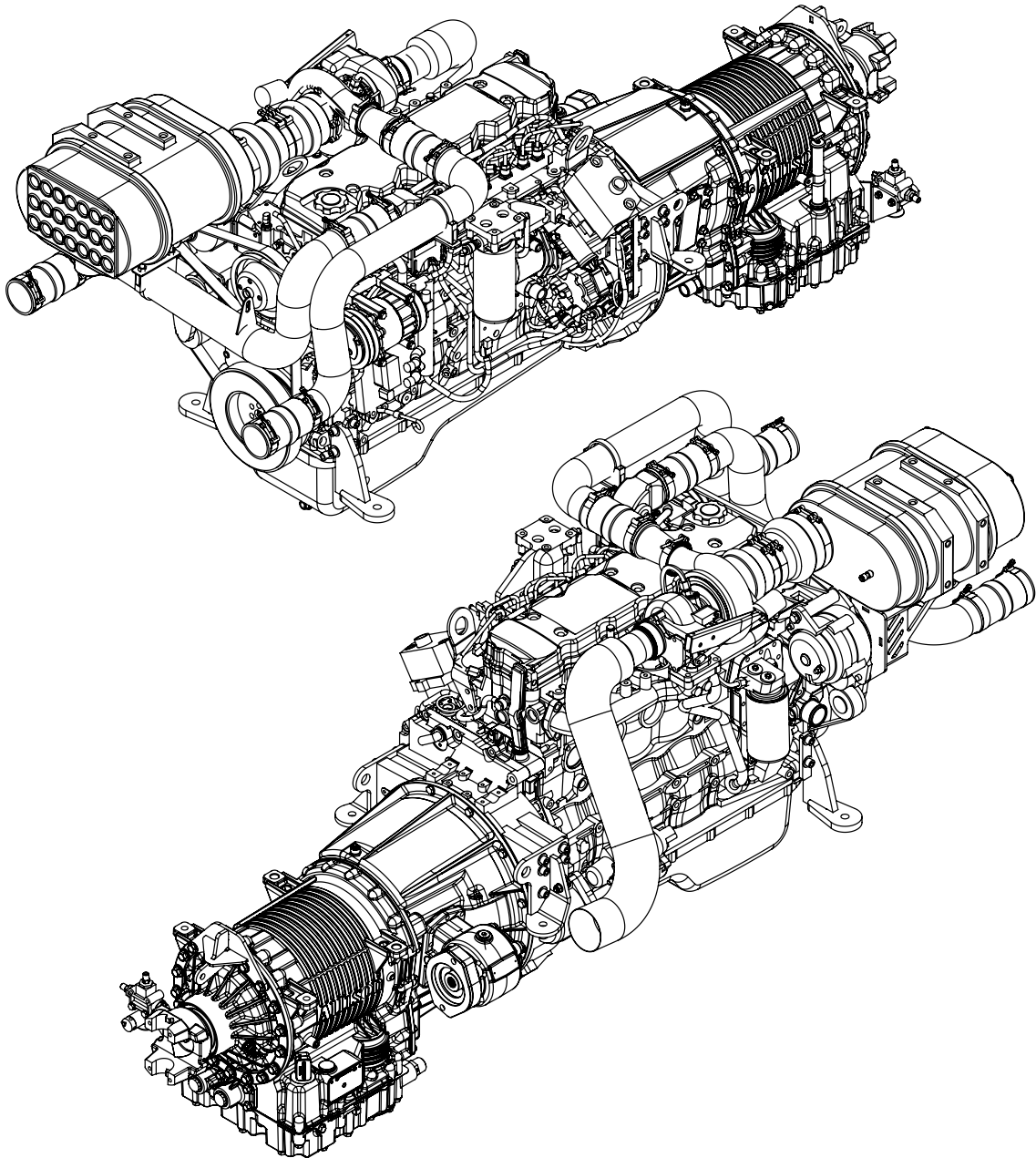


ITEM NO.	PART NUMBER	DESCRIPTION	QTY.
-	GA5020600	ENVIRO DRUM / MICROMATIC COUPLING WITH SUCTION HOSE	-
	GA5018803	MICROMATIC DRUM VALVE COUPLING, 3 PIN, VITON SEALS	1
1	GA5018799	SEAL KIT, SUIT MICROMATIC / ENVIRO DRUM COUPLING GA5018803	-
2	GA5076011	CAM LEVER, 1" MALE COUPLING X 1" HOSE BARB, BANJO	1
3	GA5001681	HOSE CLAMP, 1" SS (20-32/12W)	2
4	GA2000220	HOSE, SUCTION, PVC, 25MM, BLACK - CUT 2840MM LONG	1
5	GA5077718	HOSE BARB, STRAIGHT, 1" MALE THREAD X 1" HOSE	1

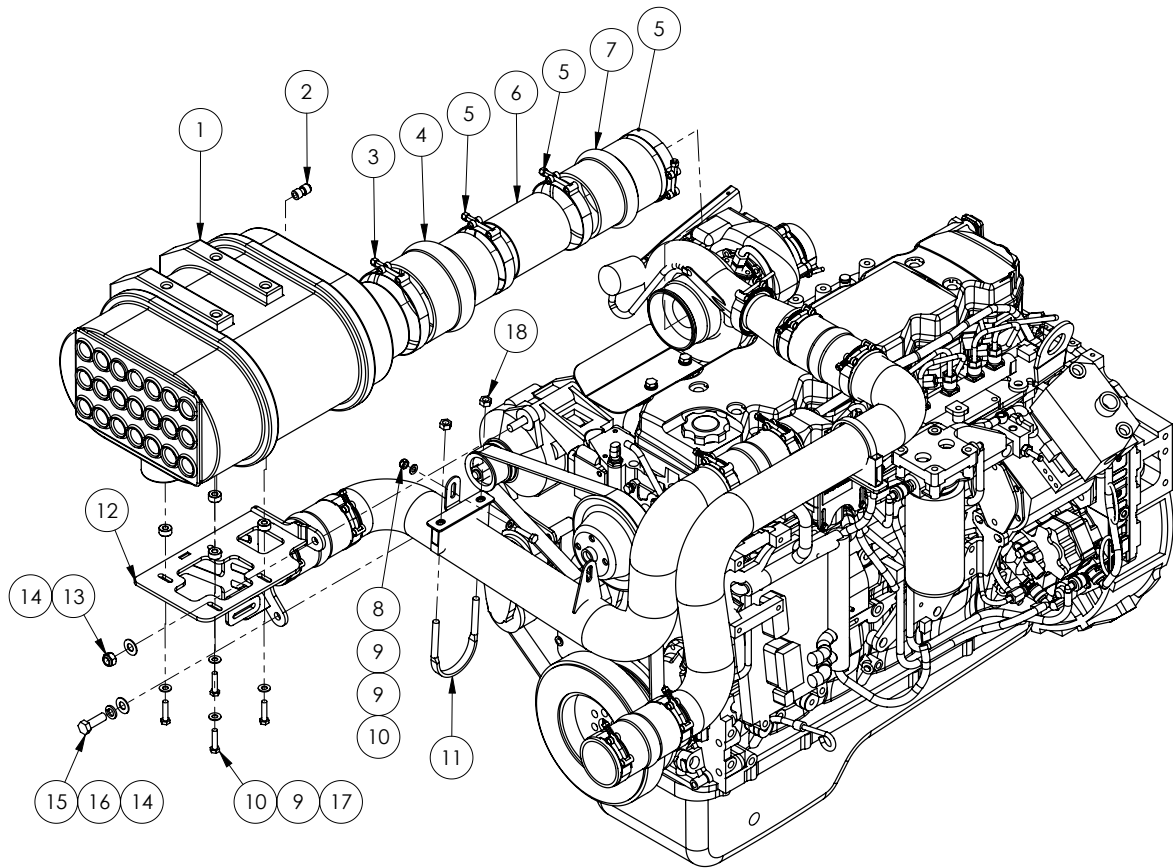
Chapter 20

ENGINE & TRANSMISSION

Cummins Engine & Allison Transmission



Air Cleaner



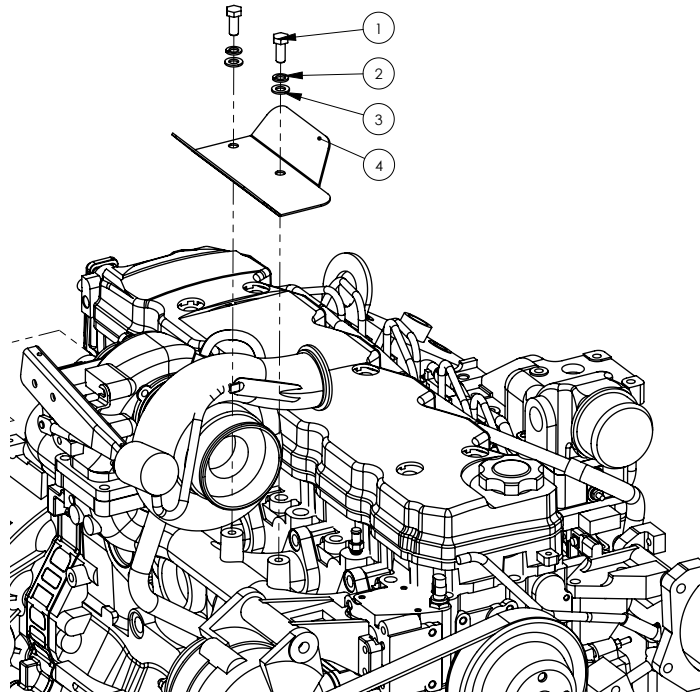
ITEM NO.	PART NUMBER	DESCRIPTION	QTY.
-	GA5069031	GA5069031, AIR CLEANER ELEMENT, PRIMARY, SUIT GA5069030 "D100072", DONALDSON, P608666 (UP TO NOVEMBER 2023)	-
-	GA5026075	GA5026075, AIR CLEANER ELEMENT, PRIMARY, SUIT GA5069030 "D100398", DONALDSON P957050 (FROM NOVEMBER 2023)	-
-	GA5069032	AIR CLEANER SAFETY ELEMENT, SUIT GA5069030, DONALDSON	-
1	GA5069030	AIR CLEANER, POWERCORE SUIT QSB 6.7L, INCLUDES ELEMENTS, DONALDSON	1
2	GA5070450	FEMALE ADAPTOR PUSH IN 6MM X 1/8" BSP	1
3	GA5010201	HOSE CLAMP 5" T-BOLT	1
4	GA5010347	HUMP REDUCER 5" X 4"	1
5	GA5010197	HOSE CLAMP 4" T-BOLT	3
6	GA4699415	PIPE- ADAPTOR AIR CLEANER	1
7	GA5066526	RUBBER HUMP JOINER 4"	1
8	GA5052590	NUT M8 NYLOC SS	1
9	GA5003643	WASHER 8MM FLAT SS HD	6
10	GA5011481	BOLT M8 X 35 GR8.8 ZP	5
11	GA5002297	CLAMP EXHAUST 3 1/8"	1

Continues Over Page

Air Cleaner

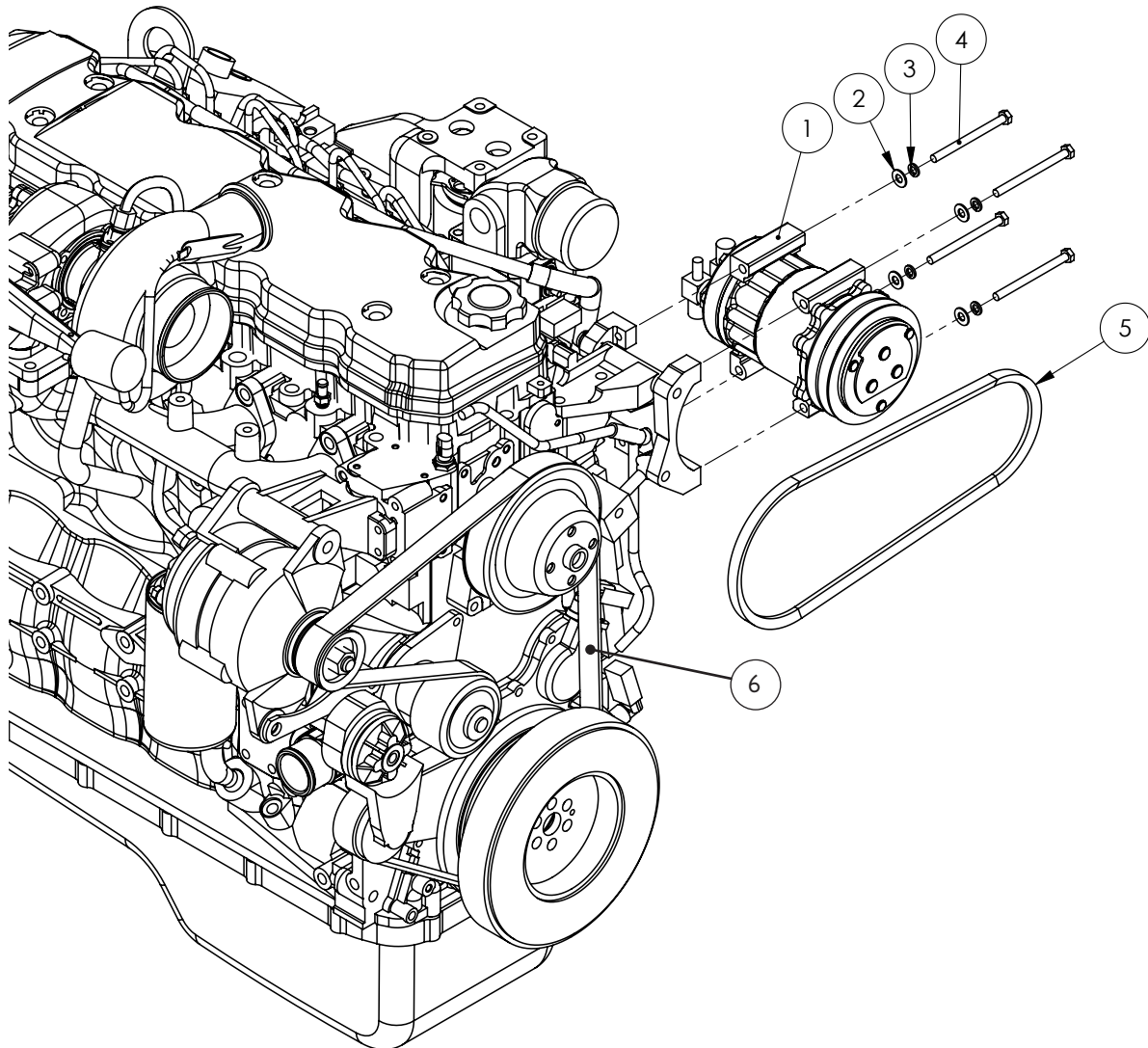
ITEM NO.	PART NUMBER	DESCRIPTION	QTY.
12	GA4661085	AIR CLEANER BRACKET, QSB6.7 ALTERNATOR MOUNTED, SUPER CRUISER, G8	1
13	GA5012461	NUT M12 NYLOC ZP	1
14	GA5000577	WASHER 12MM FLAT SS HD	3
15	GA5006167	BOLT 1/2" UNC X 1 1/2" GR8 ZP	1
16	GA5000575	WASHER 12MM SPRING SS	1
17	GA4552830	SPACER	4
18	GA5012459	NUT M10 HEX ZP	2

Air Cleaner - Heat Shield



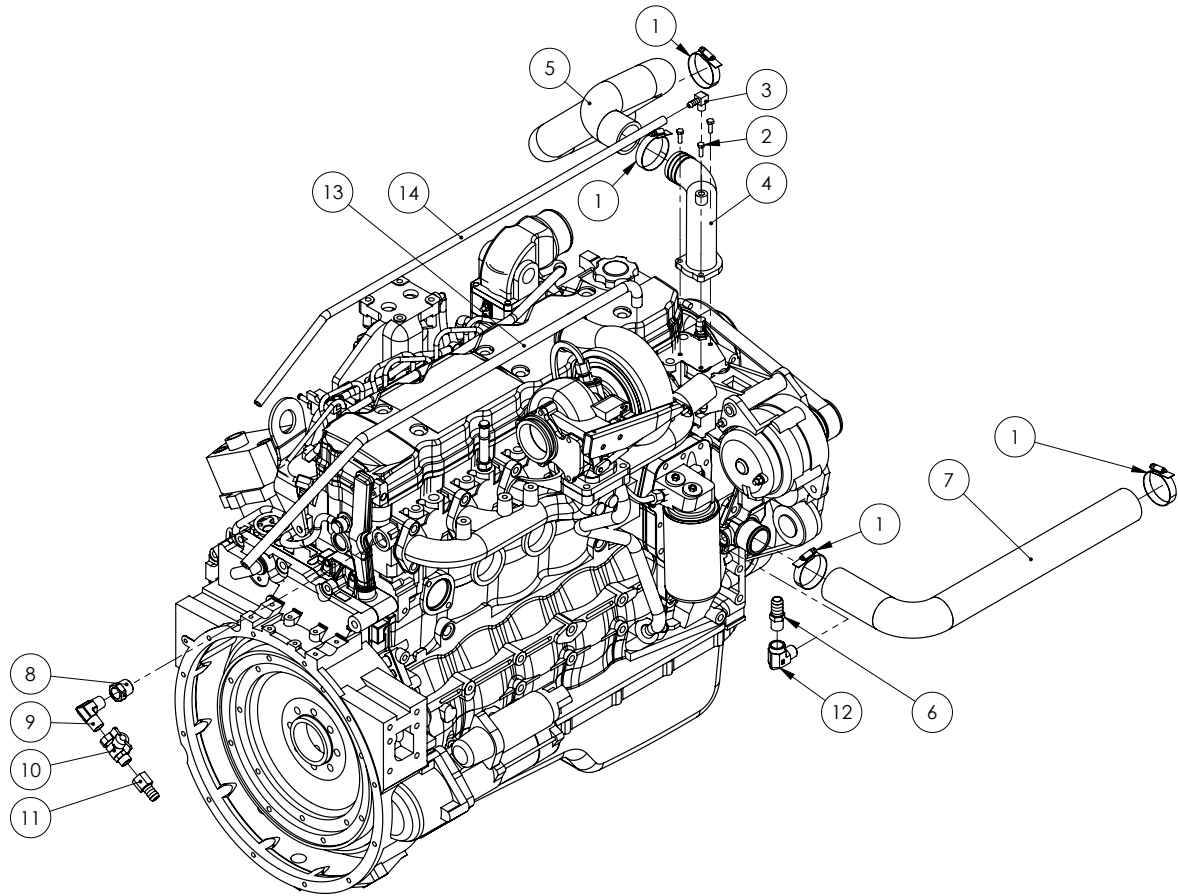
ITEM NO.	PART NUMBER	DESCRIPTION	QTY.
1	GA5066162	BOLT M10 X 25 ZP GR8.8	2
2	GA5000137	WASHER 10MM SPRING SS	2
3	GA5000117	WASHER 10MM FLAT SS HD	2
4	GA4503765	HEAT SHIELD-AIR CLEANER SS	1

Air Conditioner Compressor & Belts



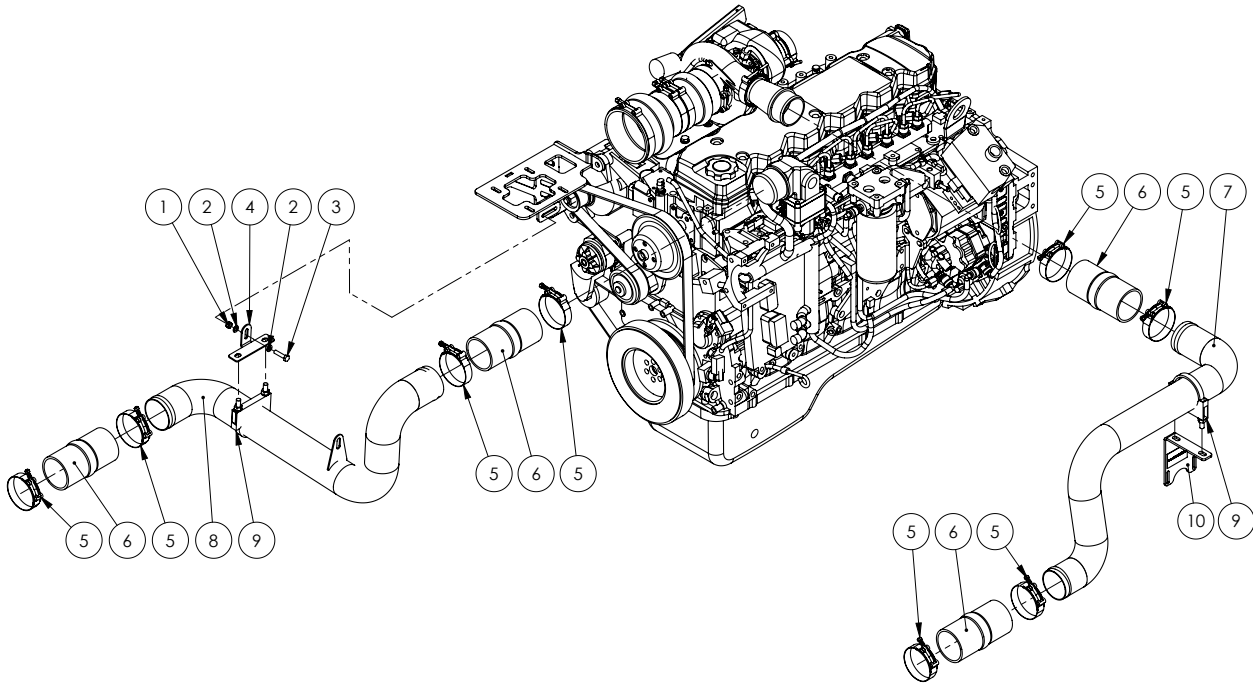
ITEM NO.	PART NUMBER	DESCRIPTION	QTY.
1	GA5071641	AIR CONDITIONER COMPRESSOR, PAD MOUNT	1
2	GA5003643	WASHER 8MM FLAT SS HD	4
3	GA5004919	M8 SPRING WASHER SS	4
4	GA5004681	BOLT M8 X 100 GR8.8 ZP	4
5	GA5071435	V BELT, AIR CONDITIONER, 13A1080	1
6	GA2700112	BELT, SERPENTINE, WATER PUMP ALTERNATOR, QSB6.7L CUMMINS, G8 ONLY	1

Coolant System Plumbing



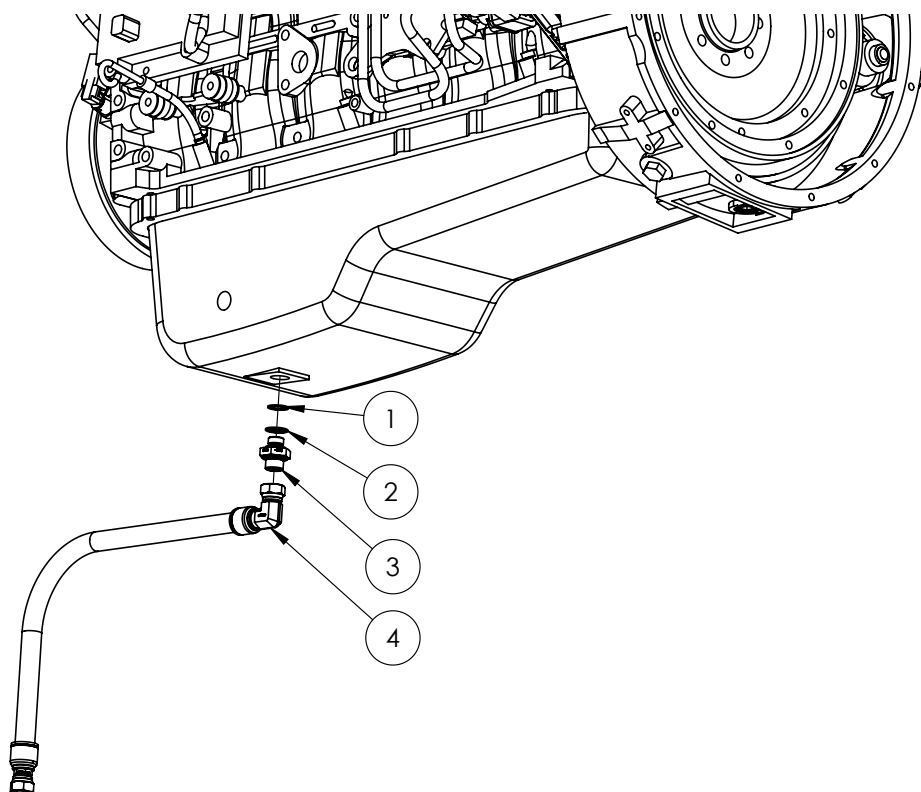
ITEM NO.	PART NUMBER	DESCRIPTION	QTY.
1	GA5016815	2 1/2" HOSE CLAMP SS	4
2	GA5004053	BHCS M6 X 20 SS A2-70	3
3	GA5048565	HOSE BARB, BRASS, ELBOW, 1/4" MALE X 5/16" BARB	1
4	GA4657280	THERMOSTAT HOUSING ELBOW 304 STAINLESS STEEL	1
5	GA5070485	RADIATOR HOSE, UPPER, GREEN SILICONE	1
6	GA5069720	HOSE BARB, BRASS, STRAIGHT, 1/2" BSPT MALE X 3/4" BARB	1
7	GA5070486	RADIATOR HOSE, LOWER RIGHT HAND SIDE, GREEN SILICONE	1
8	GA3500204	HYDRAULIC ADAPTOR, REDUCING BUSH, 3/4" BSPT MALE X 1/2" BSPT FEMALE	1
9	GA3500262	HYDRAULIC ADAPTOR, ELBOW, 90 DEGREE, 1/2" BSPT MALE X 1/2" BSPT MALE	1
10	GA5020615	VALVE, BALL, 12MM, 1/2" MALE, FEMALE BUTTERFLY, BRASS	1
11	GA4903350	WATER RESTRICTOR SUIT QSB ENGINE	1
12	GA3500210	HYDRAULIC ADAPTOR, ELBOW, 90 DEGREE, 1/2" BSPT MALE X 1/2" BSPT FEMALE	1
13	GA5010211	HOSE, FUEL LINE, 3/8" ID, BLACK (CUT TO 1000MM)	1
14	GA5077825	HOSE, FUEL LINE, 5/16" ID, BLACK (CUT TO 1000MM)	1

Charge Air Intake Pipes



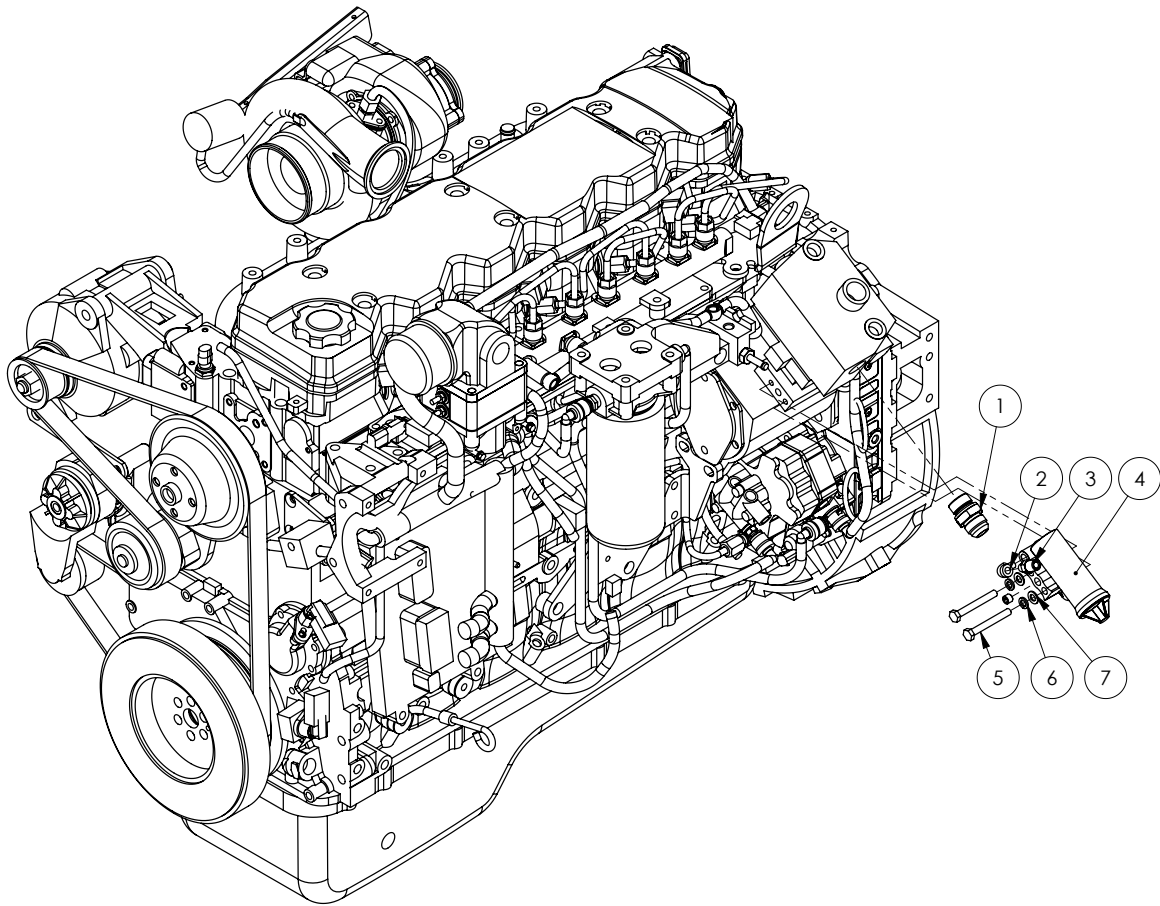
ITEM NO.	PART NUMBER	DESCRIPTION	QTY.
1	GA5004917	NUT M8 NYLOC ZP	1
2	GA5003643	WASHER 8MM FLAT SS HD	2
3	GA5011481	BOLT M8 X 35 GR8.8 ZP	1
4	GA4510055	PLATE, CHARGE AIR PIPE MOUNT BRACKET, G8	1
5	-	HOSE CLAMP, INTERCOOLER PIPES	8
6	-	HUMP HOSE, CUMMINS	4
7	GA5069235	PIPE-CHARGE AIR LH SUIT SP 201 I	1
8	GA5069230	PIPE CHARGE AIR C/W WELD ON TAB SP 201 I	1
9	GA5002297	CLAMP EXHAUST 3 1/8"	2
10	GA4503755	BRACKET-CHARGE AIR PIPE TO THROTTLE BODY MOUNT	1

Sump Drain



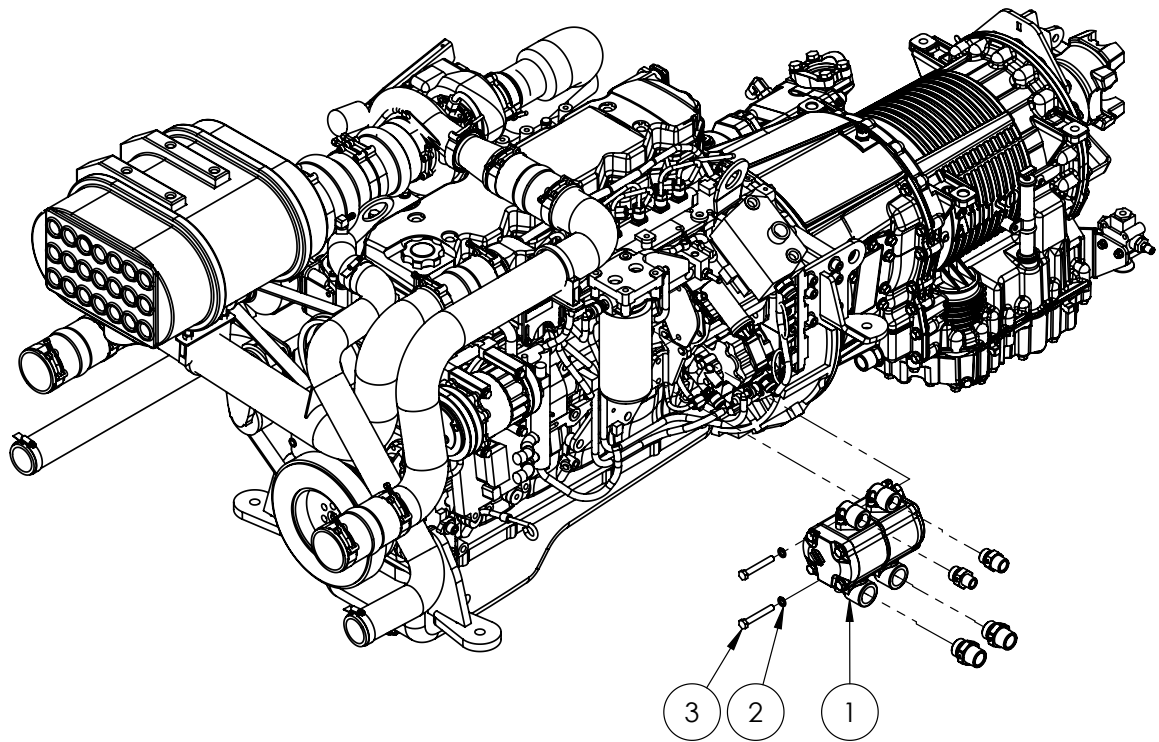
ITEM NO.	PART NUMBER	DESCRIPTION	QTY.
1	GA5070725	COPPER WASHER 18 MM X 1.5	1
2	GA5077886	HYDRAULIC SEAL, METAL BONDED, M18	1
3	GA3500484	HYDRAULIC ADAPTOR NIPPLE, M18 X 1/2" BSPP	1
4	GA4908095	HYDRAULIC HOSE, HYDRAULIC HOSE, SUMP, DRAIN, ENGINE	1

Air Governor



ITEM NO.	PART NUMBER	DESCRIPTION	QTY.
1	GA5077883	HYDRAULIC ADAPTOR, NIPPLE, 1 1/16" JIC MALE X M27 X 2.0 MALE	1
2	GA3500208	HYDRAULIC ADAPTOR, ELBOW, 90 DEGREE, 1/8" BSPT MALE X 1/8" BSPT FEMALE	1
3	GA3500217	HYDRAULIC ADAPTOR, NIPPLE, 1/4" BSPT MALE X 1/8" BSPT MALE	1
4	GA5007623	CUMMINS - AIR GOVERNOR	1
5	GA5052710	BOLT M8 X 65 GR 8.8 ZP	2
6	GA5004919	M8 SPRING WASHER SS	2
7	GA5003643	WASHER 8MM FLAT SS HD	2

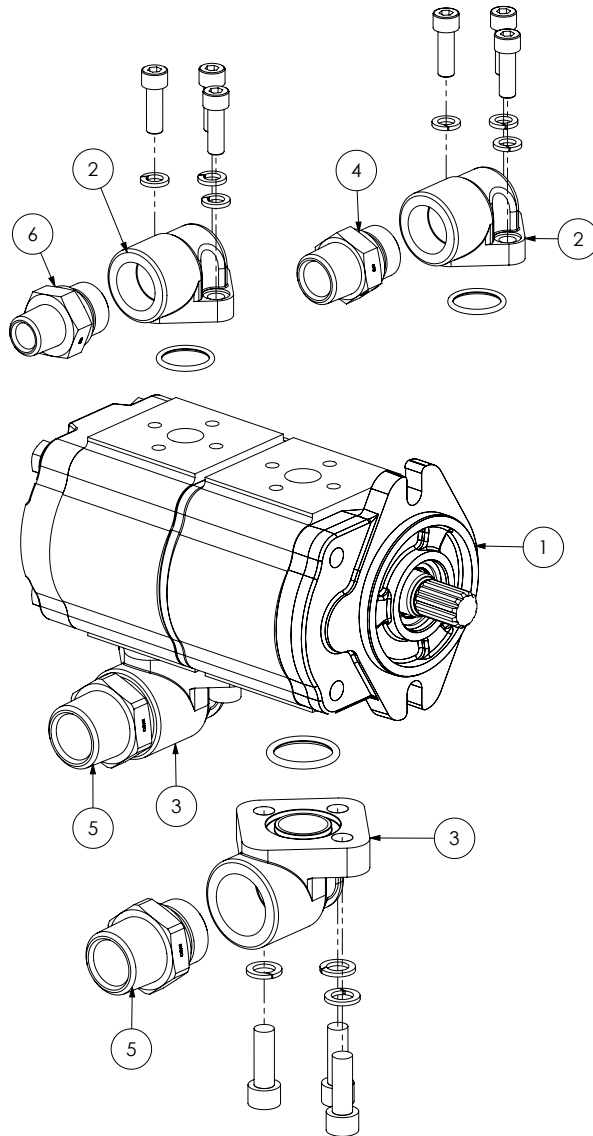
Hydraulic Gear Pumps



ITEM NO.	PART NUMBER	DESCRIPTION	QTY.
1	*	HYDRAULICS PUMPS ASSEMBLY	1
2	GA5000137	WASHER 10MM SPRING SS	2
3	GA5011163	BOLT M10 X 70 GR8.8 ZP	2

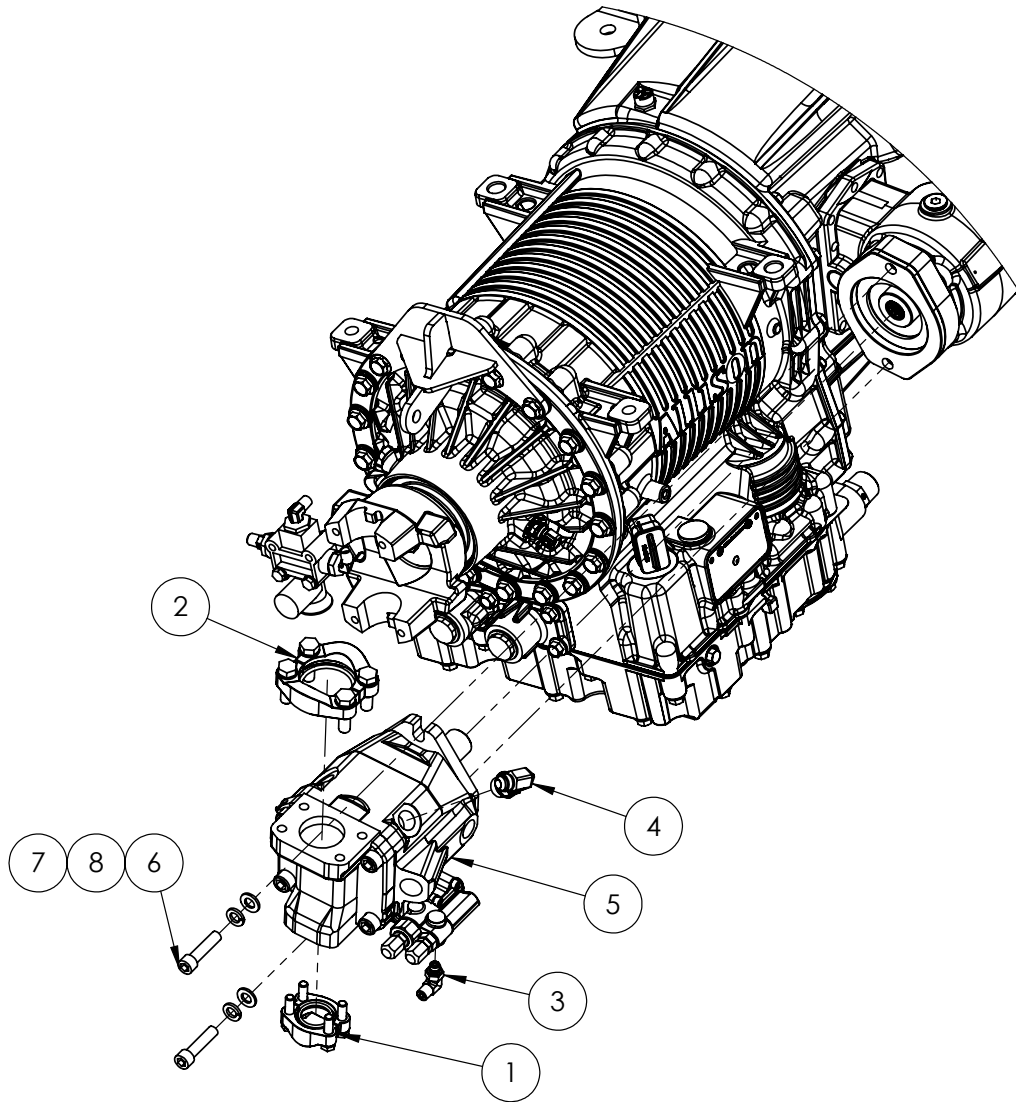
* Sub-assembly on following pages

Hydraulic Gear Pumps Assembly



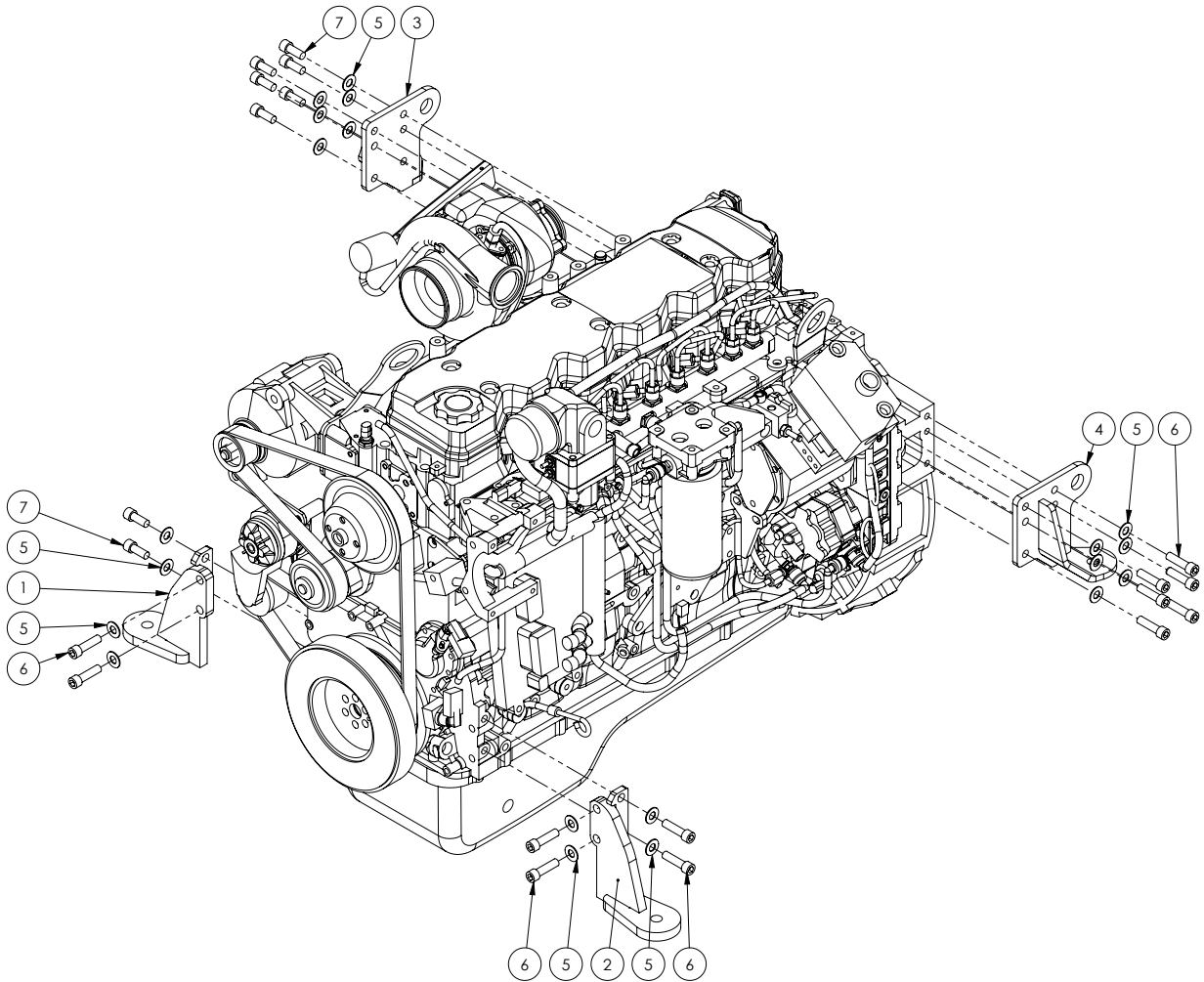
ITEM NO.	PART NUMBER	DESCRIPTION	QTY.
-	GA3500121	SEAL KIT, HYDRAULIC PUMP, SINGLE ONLY (2 REQUIRED PER PUMP)	-
1	GA3500007	PUMP, HYDRAULIC, 22+32CC, 11 TOOTH SPLINE, INCLUDING PORT ADAPTORS	1
2	GA3500064	PORT ADAPTOR, HYDRAULIC, 90 DEGREE, 3/4", SUIT SALAMI PUMP	2
3	GA3500065	PORT ADAPTOR, HYDRAULIC, 90 DEGREE, 1", SUIT SALAMI PUMP	2
4	GA3500314	HYDRAULIC ADAPTOR, NIPPLE, 3/4" BSPT MALE X 3/4" BSPP MALE	1
5	GA3500317	HYDRAULIC ADAPTOR, NIPPLE, 1" BSPT MALE X 1" BSPP MALE	2
6	GA3500312	HYDRAULIC ADAPTOR, NIPPLE, 1/2" BSPT MALE X 3/4" BSPP MALE	1

Hydraulic Pump - Variable Displacement



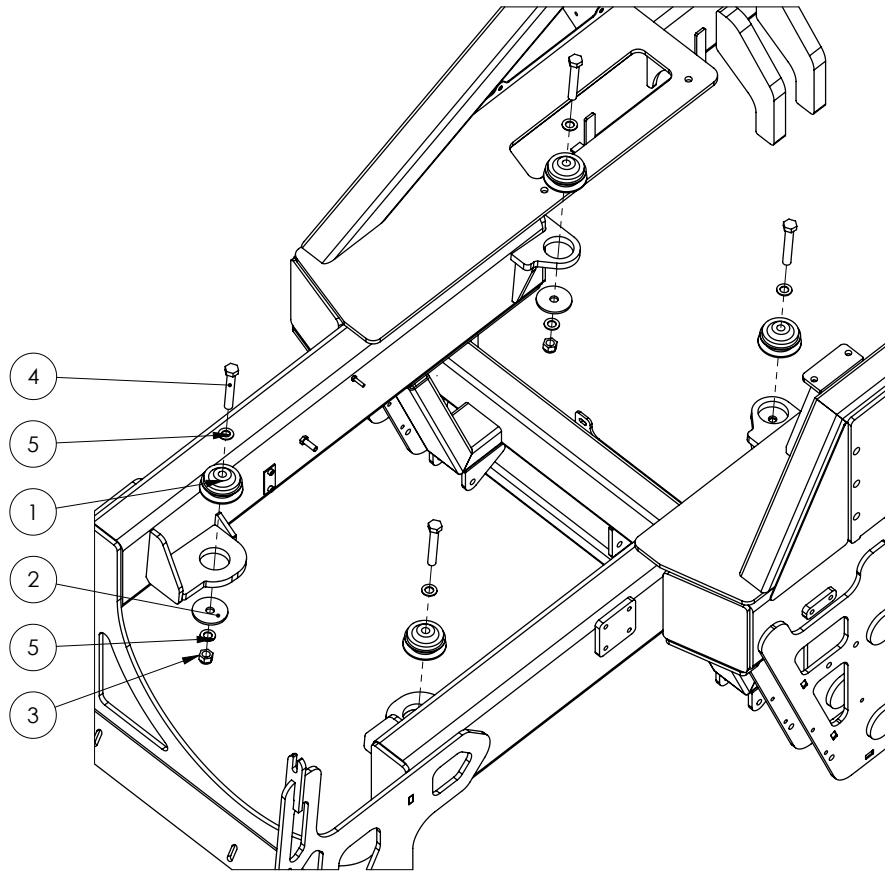
ITEM NO.	PART NUMBER	DESCRIPTION	QTY.
1	GA3500110	CLAMP KIT, 1", CODE 6I FLANGE, INCLUDES O RINGS AND UNC BOLTS, RYCO	1
2	GA3500109	CLAMP KIT, 2", CODE 6I FLANGE, INCLUDES O RINGS AND UNC BOLTS, RYCO	1
3	GA3500433	HYDRAULIC ADAPTOR, ELBOW, 90 DEGREE, 1/4" BSPT MALE X 7/16" UN O-RING MALE	1
4	GA3500761	HYDRAULIC ADAPTOR, ELBOW, 7/8" UNO TO 3/4" JIC, 90 DEG, S91-1214	1
5	GA5047760	PUMP, HYDRAULIC, VARIABLE DISPLACEMENT, 60CC, RH, BOSCH	1
6	GA5051470	SHCS M12 X 50 GR12.9 ZP	2
7	GA5000577	WASHER M12 FLAT SS HD	2
8	GA5000575	WASHER 12MM SPRING SS	2

Engine Mounts



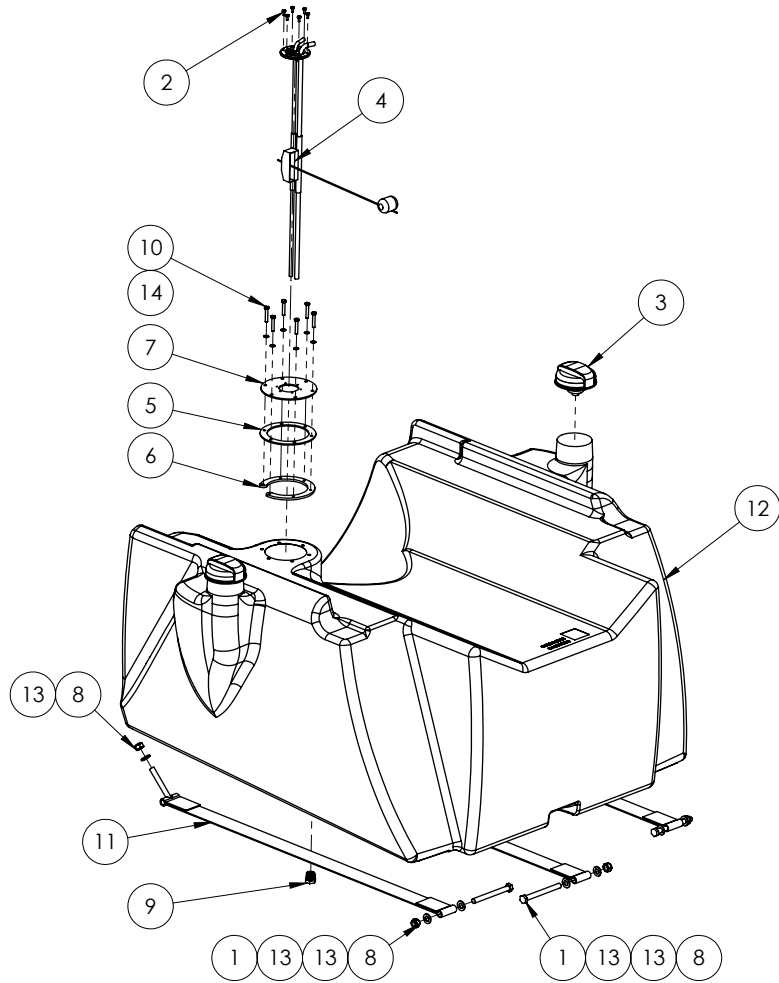
ITEM NO.	PART NUMBER	DESCRIPTION	QTY.
1	GA4656610	ENGINE MOUNT SCSP FRONT RH	1
2	GA4656611	ENGINE MOUNT SCSP FRONT LH	1
3	GA4661065	ENGINE MOUNT BRACKET, REAR, RH, CUMMINS QSB6.7, SUPER CRUISER, G8	1
4	GA4661060	ENGINE MOUNT BRACKET, REAR, LH, CUMMINS QSB6.7, SUPER CRUISER, G8	1
5	GA5000577	WASHER 12MM FLAT SS HD	20
6	GA5000325	SHCS M12 X 45 ZP GR12.9	12
7	GA5000307	SHCS M12 X 30 ZP GR12.9	8

Engine Vibration Isolators



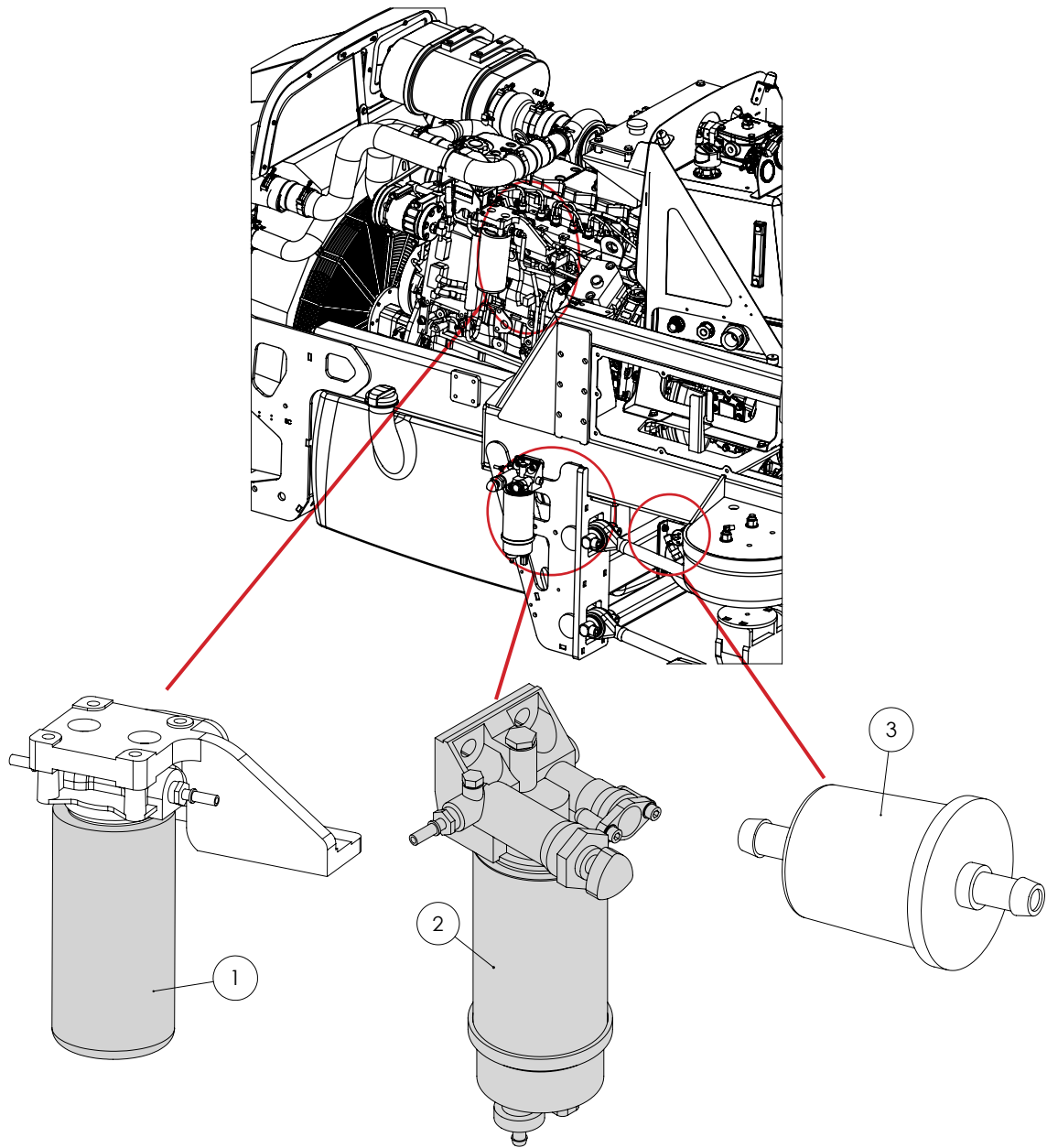
ITEM NO.	PART NUMBER	DESCRIPTION	QTY.
1	GA5070020	VIBRATION ISOLATOR - 80MM	4
2	GA4502820	WASHER, 70MM OD X 16.5MM ID X 5MM THICK	4
3	GA5001029	NUT M16 NYLOC ZP	4
4	GA5011269	BOLT M16 X 100 GR8.8 ZP	4
5	GA5001043	WASHER 16MM FLAT SS HD	8

Fuel Tank



ITEM NO.	PART NUMBER	DESCRIPTION	QTY.
1	GA5000265	BOLT M12 X 120 GR8.8 ZP	3
2	GA5011360	BOLT PAN HEAD M4 X 10 SS	6
3	GA5069066	CAP, FUEL TANK, SP, ANTI-VIBRATION	2
4	GA5070420	FUEL SENDER - COBO	1
5	GA4502635	FUEL SENDER GASKET CORK	1
6	GA4502570	FUEL SENDER MOUNT RETAINING PLATE	1
7	GA4502550	FUEL SENDER MOUNTING PLATE SS	1
8	GA5012461	NUT M12 NYLOC ZP	4
9	GA5048560	PLUG, MAGNETIC, 1/2" BSPT MALE	1
10	GA5070504	SET SCREW M6 X 35 GR8.8 ZP	6
11	GA5069120	TANK STRAP-FUEL TANK OUTER SP 201 I	3
12	GA8500026	TANK, FUEL, G6, MY20	1
13	GA5000577	WASHER 12MM FLAT SS HD	7
14	GA5004437	WASHER 6MM FLAT SS	6

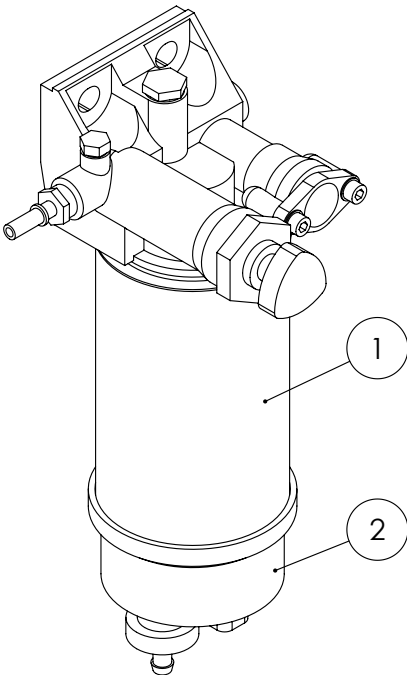
Fuel Filters



ITEM NO.	PART NUMBER	DESCRIPTION	QTY.
1	GA5051765	FUEL FILTER, SPIN ON, SUIT QSB ENGINE	1
2	GA5071020*	FUEL FILTER ASSEMBLY, PRIMARY, INCLUDES PUMP HEAD, FILTER ELEMENT AND GLASS BOWL	1
3	GA5069895	FUEL FILTER, INLINE, 3/8" MALE HOSE BARBS	1

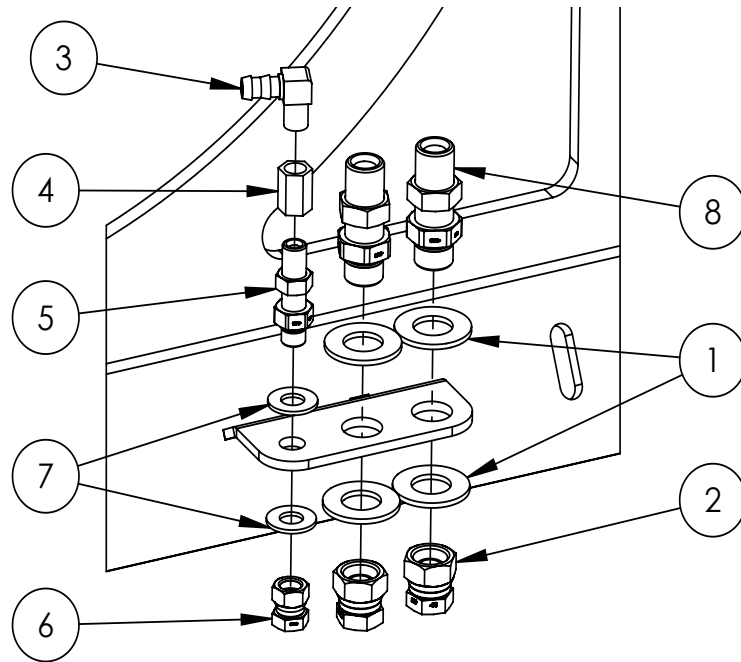
* Sub-assembly on following pages

Fuel Filter - Primary



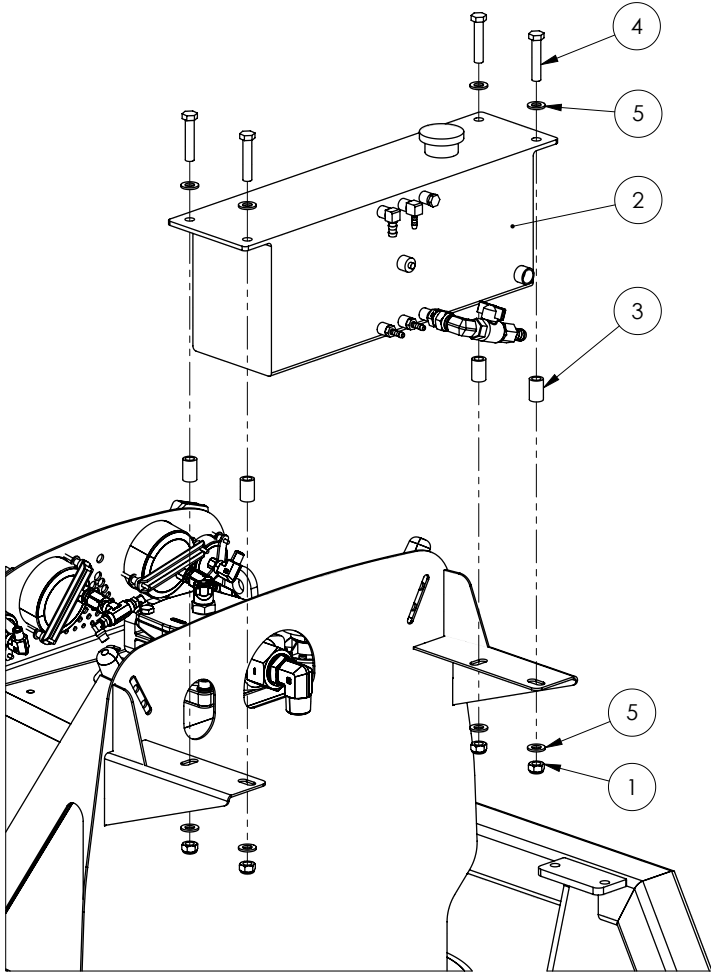
ITEM NO.	PART NUMBER	DESCRIPTION	QTY.
1	GA5051760	FILTER CARTRIDGE, SUIT PRIMARY FUEL FILTER ON SELF PROPELLED WITH QSB	1
2	GA5070560	FUEL FILTER BOWL CLEAR GLASS SUIT PRIMARY, WITHOUT WIF SENSOR	1
-	GA5066275	SENSOR, WATER IN FUEL, SUIT PRIMARY FUEL FILTER WITH GLASS BOWL, DEUTSCH, 3911940S	1

Fluid Drain Point



ITEM NO.	PART NUMBER	DESCRIPTION	QTY.
1	GA5001045	WASHER, 3/4", FLAT ZP	4
2	GA3500278	CAP, SWIVEL, 1/2" BSPP FEMALE	2
3	GA5049290	ELBOW 1/4" MALE THREAD X 3/8" BARB BRASS	1
4	GA5066940	SOCKET, 1/4" FEMALE THREAD, HEX, BRASS	1
5	GA3500249	HYDRAULIC ADAPTOR, BULKHEAD NIPPLE, 1/4" BSPP MALE X 1/4" BSPP MALE	1
6	GA3500277	CAP, SWIVEL, 1/4" BSPP FEMALE	1
7	GA5017673	WASHER 1/2" HIGH TENSILE	2
8	GAS99-603	HYDRAULIC ADAPTOR, BULKHEAD NIPPLE, 1/2" BSP MALE X 1/2" BSP MALE	2

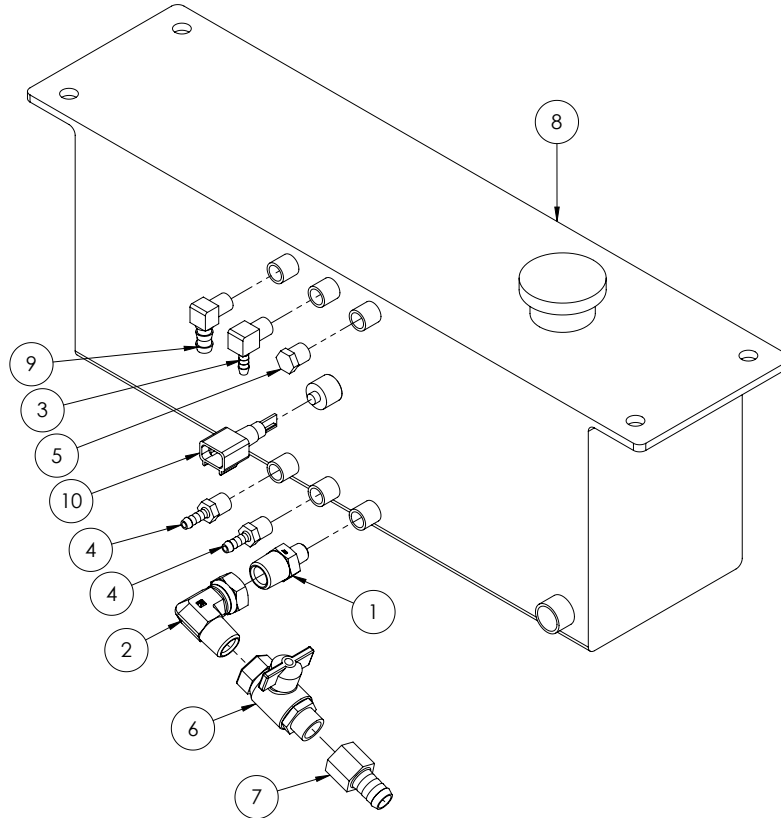
Header Tank Mounting



ITEM NO.	PART NUMBER	DESCRIPTION	QTY.
1	GA5012461	NUT M12 NYLOC ZP	4
2	*	HEADER TANK ASSEMBLY	1
3	GA4552860	CRUSH TUBE, 12.5MM ID X 19MM OD X 30MM LONG	4
4	GA5000335	BOLT M12 X 60 GR8.8 ZP	4
5	GA5000577	WASHER 12MM FLAT SS HD	8

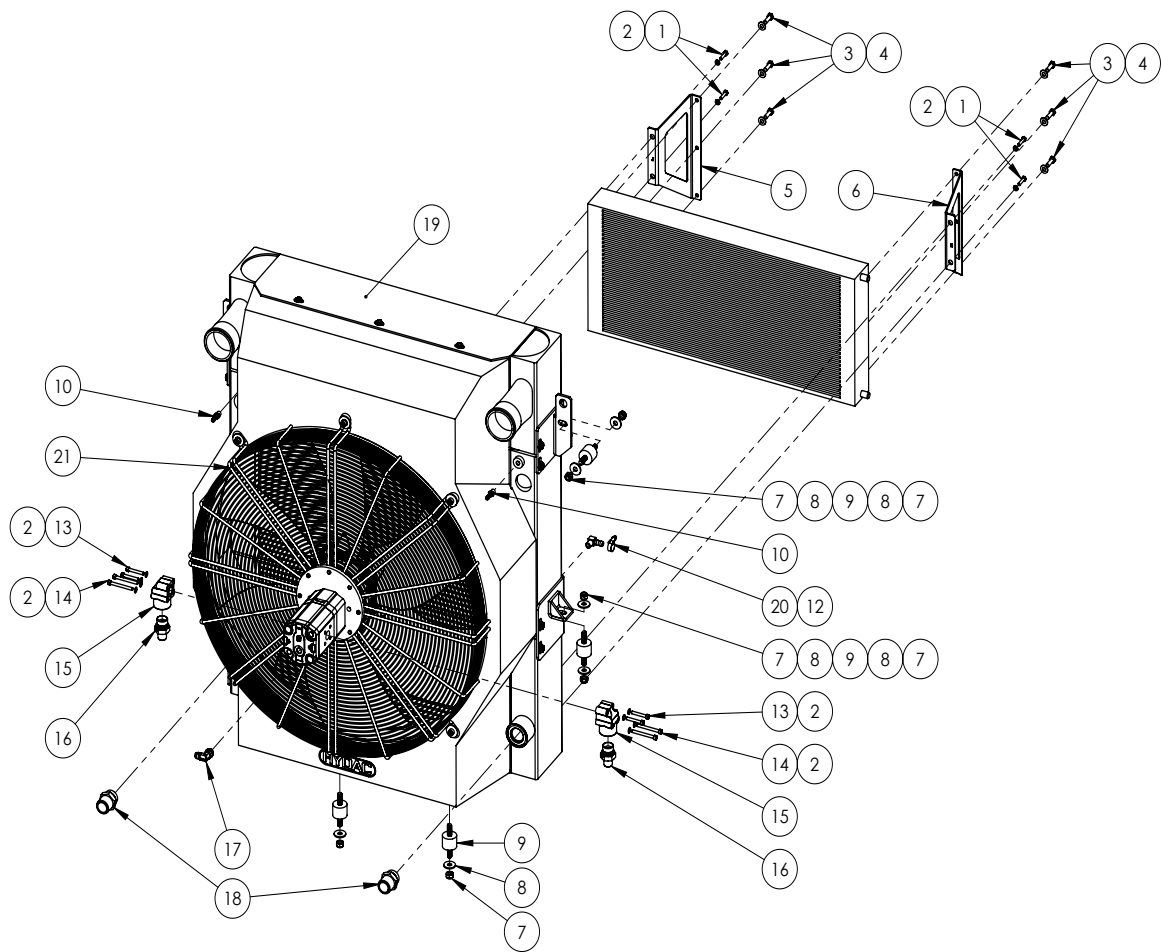
* Sub-assembly on following page

Header Tank Assembly



ITEM NO.	PART NUMBER	DESCRIPTION	QTY.
1	GA3500221	HYDRAULIC ADAPTOR, NIPPLE, 1/2" BSPT MALE X 1/4" BSPT MALE	1
2	GA3500333	HYDRAULIC ADAPTOR, ELBOW, 90 DEGREE, 1/2" BSPT MALE X 1/2" BSPP FEMALE SWIVEL	1
3	GA5048340	ELBOW, 90 DEGREE, 1/4" MALE THREAD X 1/4" HOSE, BRASS	1
4	GA5020540	HOSE BARB, STRAIGHT, 1/4" MALE THREAD X 1/4" HOSE, BRASS	2
5	GA5069335	PLUG, 1/4" BSPT MALE THREAD, BRASS	1
6	GA5020615	VALVE, BALL, 12MM, 1/2" MALE, FEMALE BUTTERFLY, BRASS	1
7	GA5003697	HOSE BARB, 1/2" BSP FEMALE X 5/8" HOSE, BRASS	1
8	GA5069041	HEADER TANK - INCLUDES CAP	1
	GA5025150	RADIATOR CAP, 1.2 BAR, G6 G8, HYDAC	-
9	GA5049290	ELBOW 1/4" MALE THREAD X 3/8" BARB BRASS	1
10	GA5066280	SENSOR LOW COOLANT LEVEL	1

Combination Cooler



MOTOR & SEALS

PART NUMBER	DESCRIPTION		
GA5070840	GEAR MOTOR, HYDRAULIC, GR2 FAN DRIVE		
GA5078412	SEAL KIT, SUIT GA5070840, COMBI COOLER HYDRAULIC MOTOR, HYDAC, EXC. SHAFT SEAL		
GA3500844	SEAL, MOTOR SHAFT, HYDRAULIC FAN DRIVE MOTOR GA5070840, G6 & G8		
ITEM NO.	PART NUMBER	DESCRIPTION	QTY.
1	GA5004073	SET SCREW M6 X 25 GR8.8 ZP	4
2	GA5004437	WASHER M6 FLAT SS	12
3	GA5004711	SET SCREW M8 X 25 GR8.8 ZP	6
4	GA5003643	WASHER M8 FLAT SS HD	6
5	GA4501015	PLATE, BRACKET, AC CONDENSOR, LH, SUPER CRUISER	1
6	GA4501020	PLATE, BRACKET, AC CONDENSOR, RH, SUPER CRUISER	1
7	GA5000141	NUT M10 NYLOC ZP	10
8	GA5002627	WASHER 3/8" FLAT ZP HT YELLOW	10
9	GA5069130	ISOLATOR, SANDWICH MOUNT, 28 LONG X 40 OD, M10 X 25	6

Continued over page

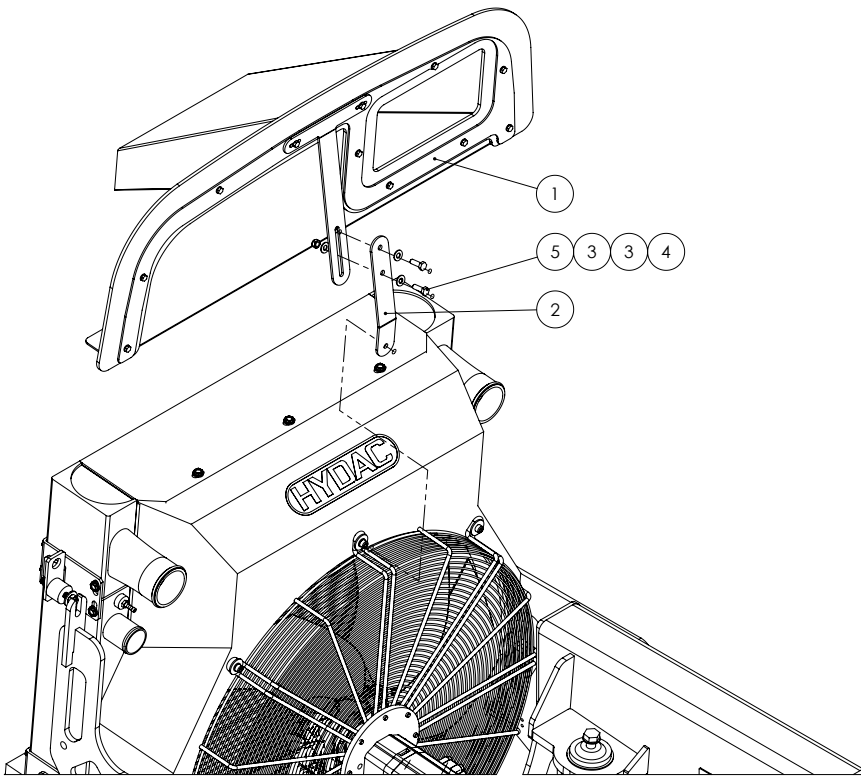
Combination Cooler

ITEM NO.	PART NUMBER	DESCRIPTION	QTY.
10	GA5020695	HOSETAIL (BRASS) 1/4 X 1/8 MALE THREAD	2
11	GA5004865	HOSE CLAMP, 3/8,SS (8-16/9W)	1
12	GA5049290	ELBOW 1/4 MALE THREAD X 3/8 BARB BRASS	1
13	GA5011411	SHCS M6 X 40 GR12.9 ZP	4
14	GA5070460	SHCS M6 X 60 SS A2-70	4
15	GA5013231	PORT ADAPTOR, 90 DEGREE, 3/4"	2
16	GA3500312	HYDRAULIC ADAPTOR, NIPPLE, 1/2" BSPT MALE X 3/4" BSPP MALE, S75-0812	2
17	GA3500734	HYDRAULIC ADAPTER, ELBOW, 90 DEGREE, 9/16" JIC X 1/4" BSPP MALE O-RING , S76-0409	1
18	GA3500126	HYDRAULIC ADAPTOR, NIPPLE, 1" BSPT MALE X 1 5/16" UN MALE O-RING, S93-1621`	2
19	GA2700014	ENGINE COOLER, RADIATOR, COMBINATIONAL SUIT QSB6.7 260HP, SUPER CRUISER G8, HYDAC	1
20	GA5004865	HOSE CLAMP, 3/8,SS (8-16/9W)	1
21	GA5026081	GRID, PROTECTION, FAN-HYD DRIVE, SUIT, COMBINATION COOLER, GA2700014	1

Continued over page

Combination Cooler

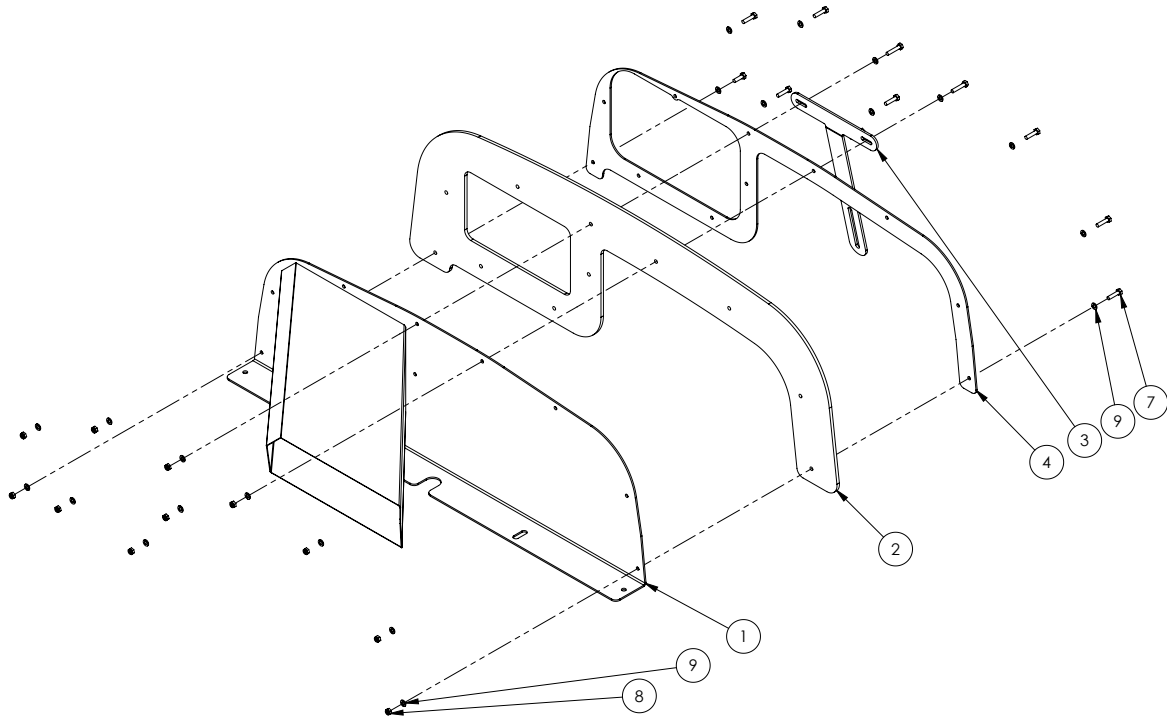
Engine Air Divider



ITEM NO.	PART NUMBER	DESCRIPTION	QTY.
1	*	ENGINE AIR DIVIDER ASSEMBLY	1
2	GA4502760	RADIATOR INFILL PANEL LOWER SUPPORT BRACKET	1
3	GA5003643	WASHER 8MM HD	4
4	GA5004917	NUT M8 NYLOC ZP	2
5	GA5004713	BOLT M8 X 25 SS A2-70	2

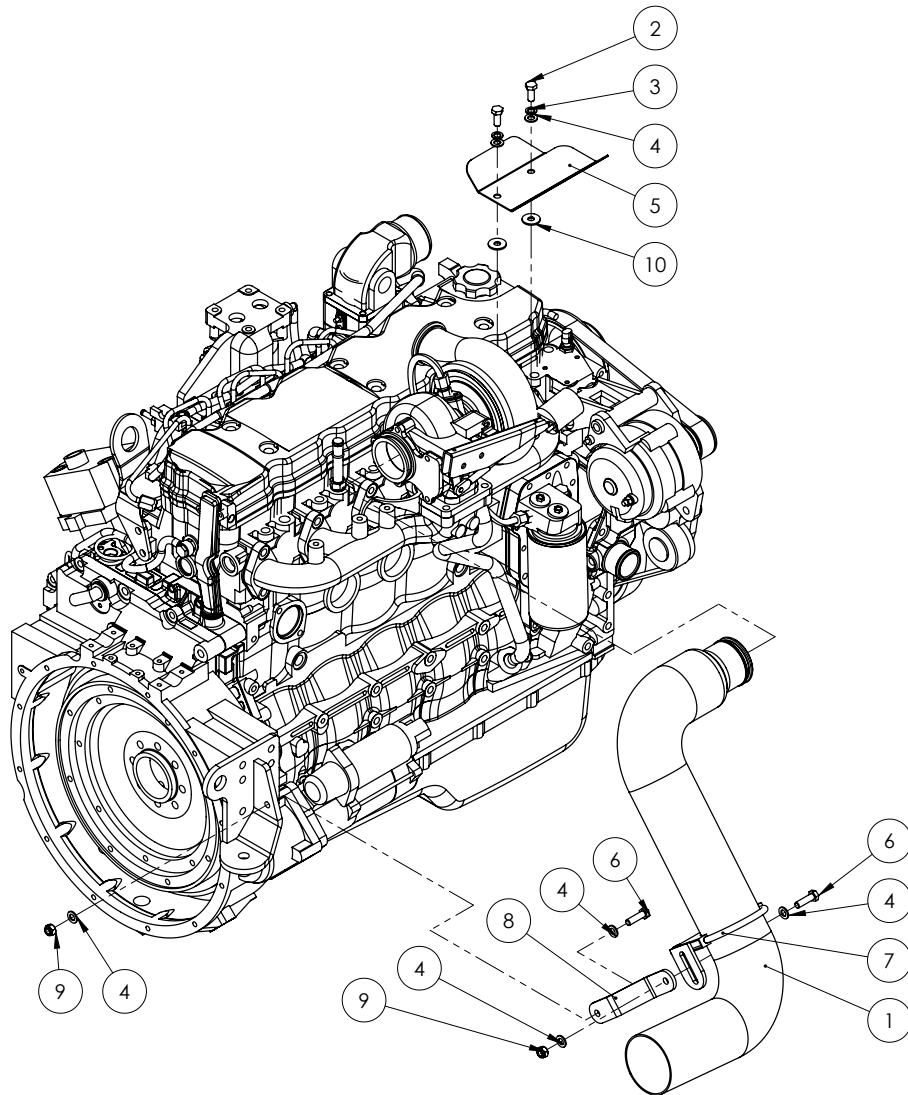
* Sub-assembly on following pages

Engine Air Divider Assembly



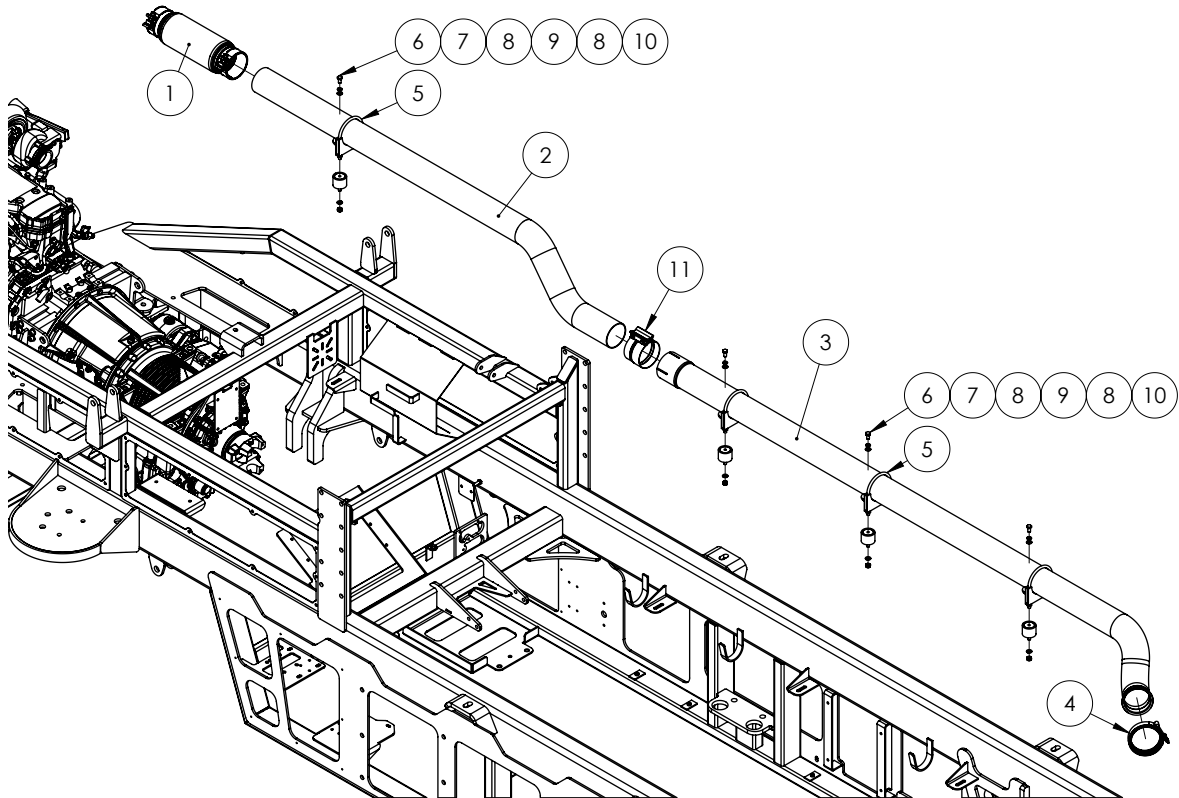
ITEM NO.	PART NUMBER	DESCRIPTION	QTY.
1	GA4660745	RADIATOR INFILL BAFFLE AND INTAKE	1
2	GA4502586	SEAL, RUBBER, RADIATOR INFILL PANEL	1
3	GA4502765	RADIATOR INFILL PANEL UPPER SUPPORT BRACKET	1
4	GA4502626	PLATE, INFILL PANEL CLAMP	1
5	GA5004065	BOLT M6 X 20 GR8.8 ZP	1
6	GA5004077	BOLT M6 X 30 GR8.8 ZP	2
7	GA5004073	BOLT M6 X 25 GR8.8 ZP	8
8	GA5048115	NUT M6 NYLOC ZP	11
9	GA5004437	WASHER 6MM FLAT SS	22

Exhaust System - Down Pipe



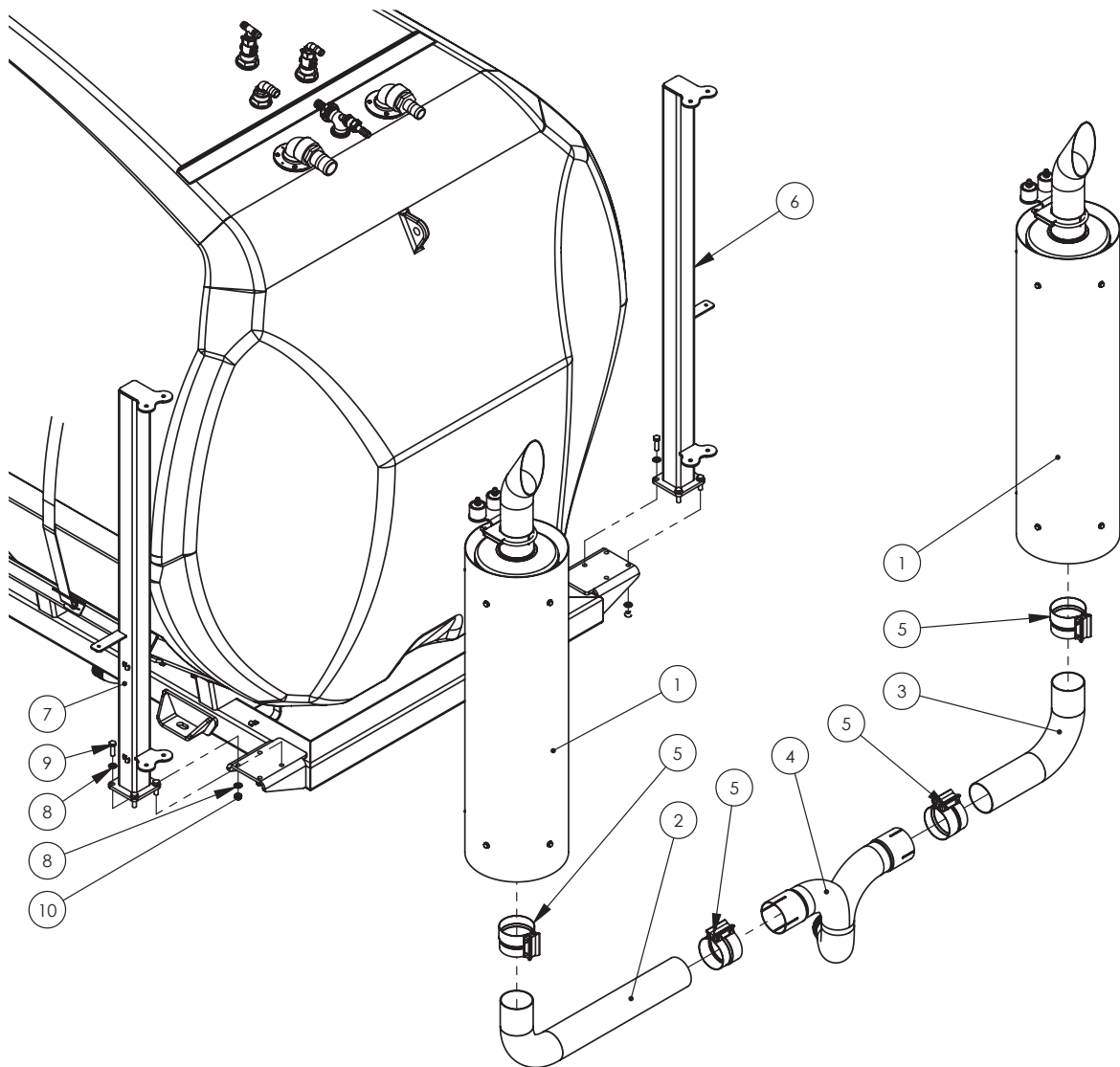
ITEM NO.	PART NUMBER	DESCRIPTION	QTY.
-	GA5053700	EXHAUST HEAT WRAP FIBREGLASS BLACK, SOLD PER ROLL	1
-	GA5055470	TIE CABLE SS 520MM SS316	-
1	GA5062502	EXHAUST PIPE, TURBO TO BELLOW	1
2	GA5006161	BOLT M10 X 25 GR8.8 ZP	2
3	GA5000137	WASHER 10MM SPRING SS	2
4	GA5000117	WASHER 10MM FLAT SS HD	6
5	GA4503765	HEAT SHIELD-AIR CLEANER SS	1
6	GA5006111	BOLT M10 X 35 ZP GR8.8	2
7	GA4658836	EXHAUST CLAMP BRACKET 'S' BEND PIPE	1
8	GA4509336	PLATE, EXHAUST SUPPORT BRACKET	1
9	GA5000141	NUT M10 NYLOC ZP	2
10	GA5002627	WASHER 3/8" ID X 1 1/8" OD HIGH TENSILE	2

Exhaust System - Mid Section



ITEM NO.	PART NUMBER	DESCRIPTION	QTY.
1	GA5068741	EXHAUST BELLOW, 4" ID, 16.6" LONG, HEAVY DUTY, BRAIDED, WITH CLAMPS	1
2	GA2700011	EXHAUST PIPE, BELLOW TO UNDER TANK, 4"	1
3	GA2700009	EXHAUST PIPE, REAR SECTION UNDER TANK, 4"	1
4	GA2700044	EXHAUST CLAMP, 4", V BAND	1
5	GA4658835	EXHAUST CLAMP / BUFFER BRACKET	4
6	GA5006113	BOLT M10 X 20 GR8.8 ZP	4
7	GA5000137	WASHER 10MM SPRING SS	4
8	GA5000117	WASHER 10MM FLAT SS HD	8
9	GA5014609	RUBBER BUFFER, 50MM DIA X 40MM LONG, M10 X 25 MALE X M10 FEMALE	4
10	GA5000141	NUT M10 NYLOC ZP	4
11	GA2700015	EXHAUST CLAMP, 4" TORCTITE	1

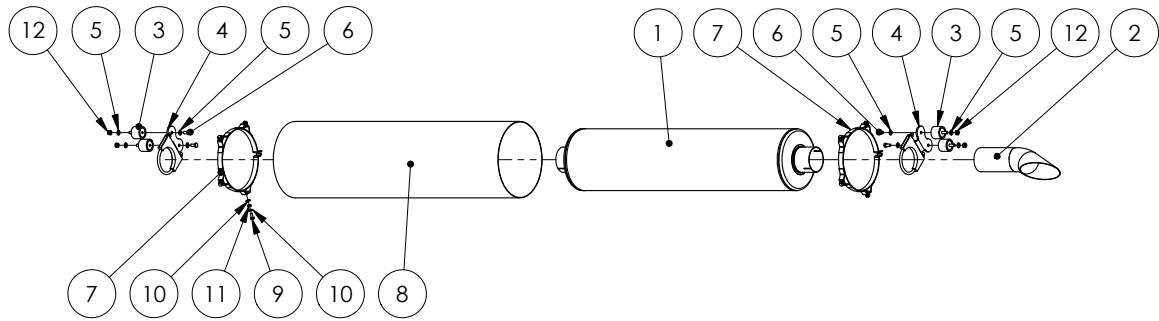
Exhaust System - Rear Section



ITEM NO.	PART NUMBER	DESCRIPTION	QTY.
1	*	EXHAUST SYSTEM - MUFFLER	2
2	GA2700006	EXHAUST PIPE, LH MUFFLER TO TEE, 4"	1
3	GA2700007	EXHAUST PIPE, RH MUFFLER TO TEE, 4"	1
4	GA2700008	EXHAUST PIPE, TEE, 4"	1
5	GA2700015	EXHAUST CLAMP, 4" TORCTITE	4
6	GA4602075	EXHAUST MUFFLER POST, RH	1
7	GA4602070	EXHAUST MUFFLER POST, LH	1
8	GA5000577	WASHER 12MM FLAT SS HD	16
9	GA5000319	SET SCREW M12 X 40 GR8.8 ZP	8
10	GA5012461	NUT M12 NYLOC ZP	8

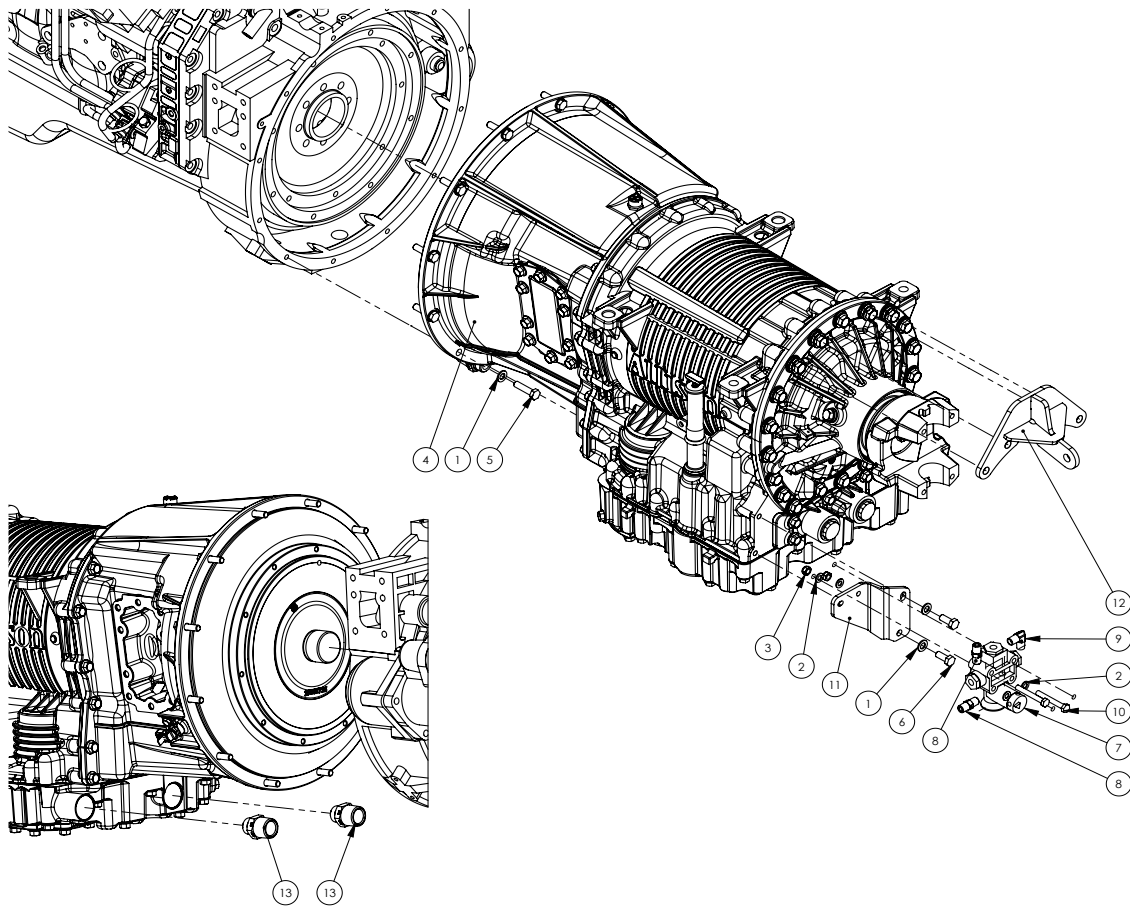
* Sub-assembly on following page

Exhaust System - Muffler



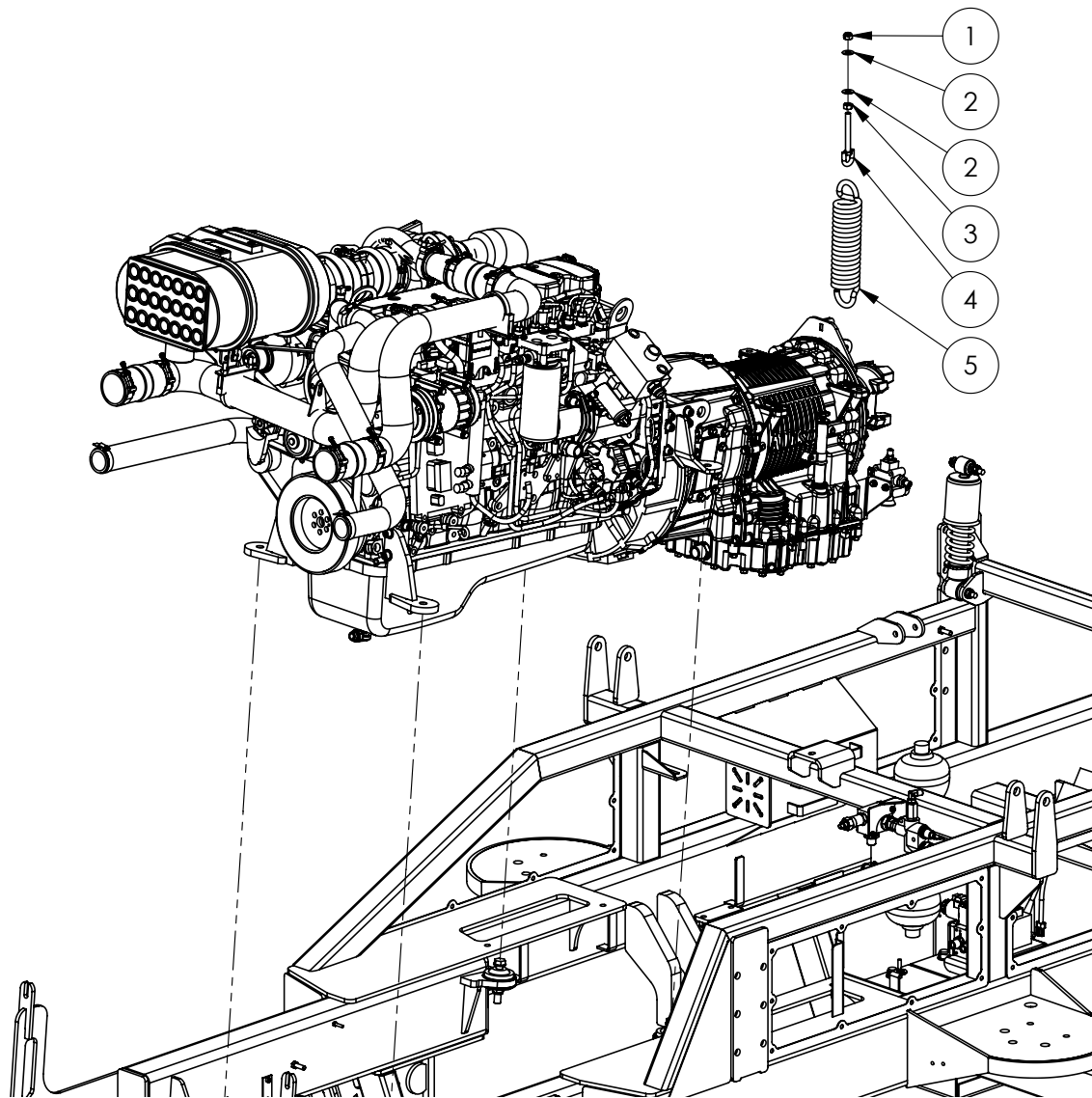
ITEM NO.	PART NUMBER	DESCRIPTION	QTY.
1	GA5069240	MUFFLER EXHAUST, 4"	2
2	GA2700010	EXHAUST PIPE, CHROME DEFLECTOR TIP, 4", 600MM	2
3	GA5014609	RUBBER BUFFER, 50MM DIA X 40MM LONG, M10 X 25 MALE X M10 FEMALE	8
4	GA4658830	EXHAUST CLAMP / BUFFER BRACKET DOUBLE	4
5	GA5000117	WASHER 10MM FLAT SS HD	16
6	GA5006113	BOLT M10 X 20 GR8.8 ZP	8
7	GA5071980	MOUNT BRACKET KIT, EXHAUST MUFFLER HEAT SHIELD (INC. 2X BRACKETS)	2
8	GA4505985	HEAT SHIELD EXHAUST 360DEG	2
9	GA5048485	SET SCREW 5/16" BSW X 3/4" SS A2-70	16
10	GA5003631	WASHER 5/16" FLAT SS	32
11	GA4552080	CRUSH TUBE, 10.2MM ID X 15MM OD X 5MM LONG	16
12	GA5000141	NUT M10 NYLOC ZP	8

Allison Transmission



ITEM NO.	PART NUMBER	DESCRIPTION	QTY.
-	GA3500140	FILTER KIT, ALLISON 3000 TRANSMISSION, FILTER AND SEALS INCLUDED	-
1	GA5000117	WASHER 10MM FLAT SS HD	14
2	GA5003643	WASHER 8MM FLAT SS HD	4
3	GA5004917	NUT M8 NYLOC ZP	2
4	GA2700004	TRANSMISSION, 3000 SERIES, ALLISON, G8	1
5	GA5006071	BOLT M10 X 40 GR10.9 ZP	12
6	GA5006161	BOLT M10 X 25 GR8.8 ZP	2
7	GA5010868	RIDE HEIGHT VALVE, 1/4" CONNECTING RODS	1
8	GA3500218	HYDRAULIC ADAPTOR, NIPPLE, 1/4" BSPT MALE X 1/4" BSPT MALE	2
9	GA3500258	HYDRAULIC COUPLING, ELBOW, 90 DEGREE, 1/4" BSPT MALE X 1/4" BSPT MALE	1
10	GA5011489	BOLT M8 X 60 GR8.8 ZP	2
11	GA4509345	PLATE, BRACKET, RIDE HEIGHT VALVE, FRONT, TRANSMISSION MOUNTED	1
12	GA4661090	MOUNT BRACKET, SPRING SUPPORT, ALLISON TRANSMISSION 3000	1
13	GA3500371	HYDRAULIC ADAPTOR, NIPPLE, 1" BSPT MALE X 1 1/16" UN MALE O-RING	2

Allison Transmission - Spring

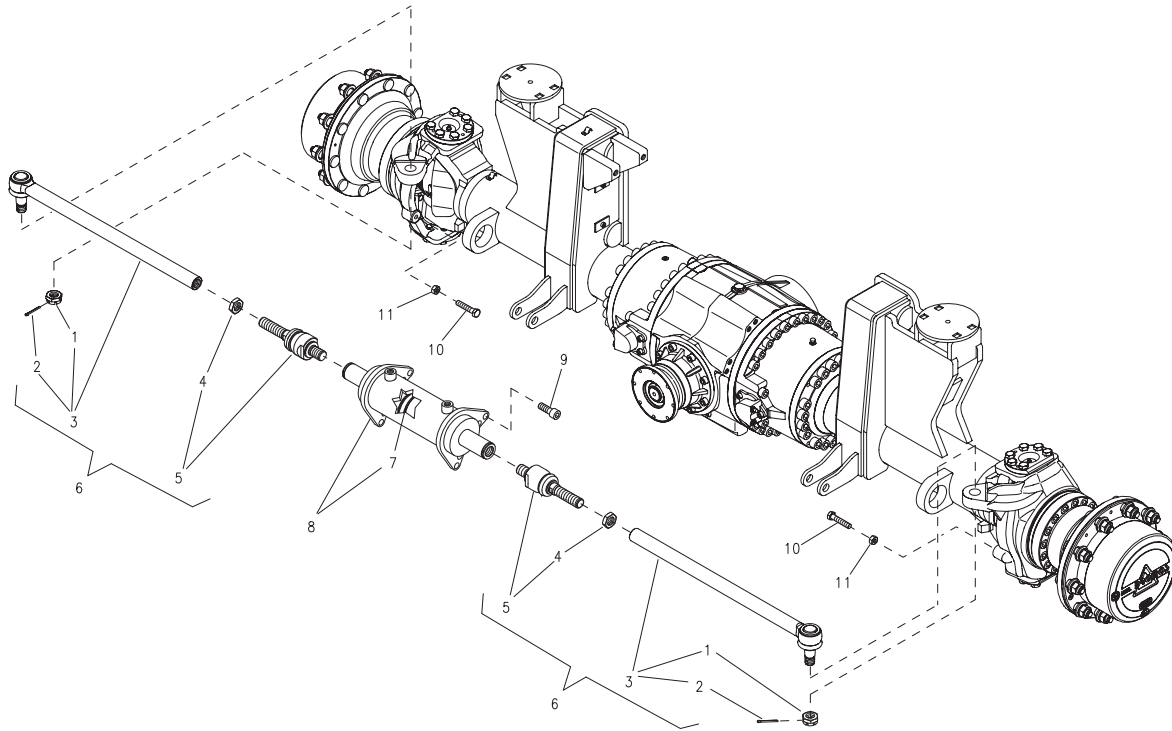


ITEM NO.	PART NUMBER	DESCRIPTION	QTY.
1	GA5012461	NUT M12 NYLOC ZP	1
2	GA5000577	WASHER 12MM FLAT SS HD	2
3	GA5000559	NUT M12 HEX ZP	1
4	GA5075150	EYE BOLT 12MM X 100MM SHORT	1
5	GA5010793	SPRING, TENSION, 70MM OD X 329MM LONG X 12MM, LARGE, SUIT DELTA BOOM YAW / CABLE	1

Chapter 21

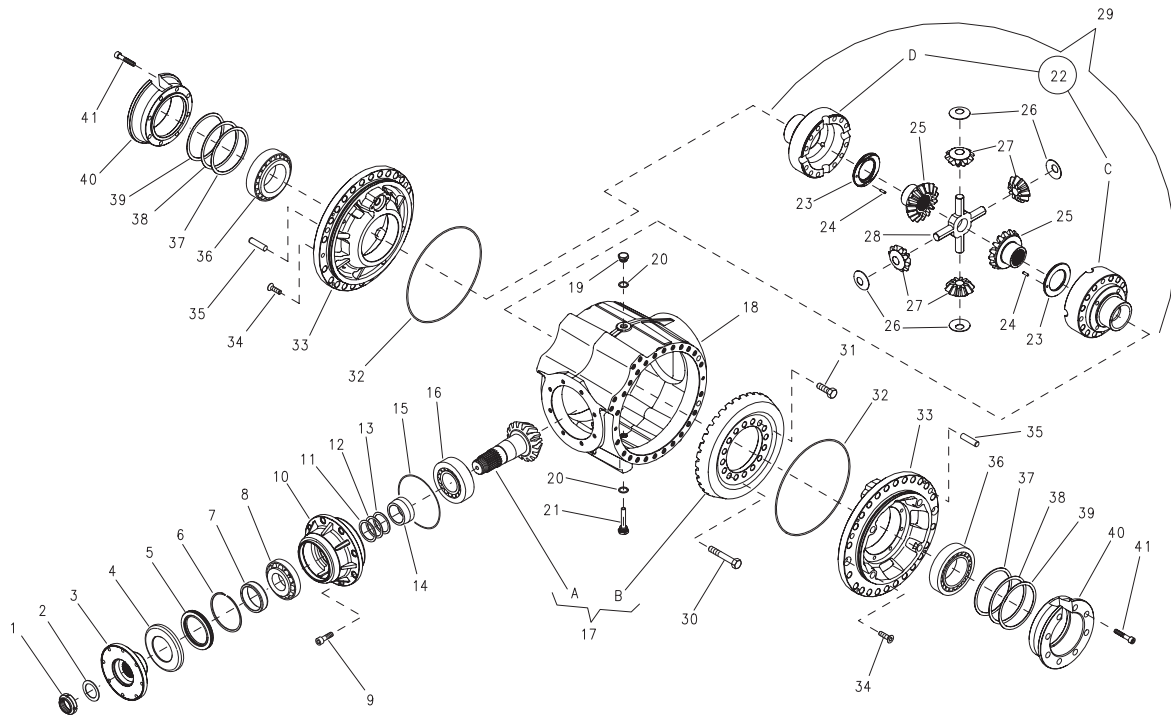
DRIVE LINES, TRANSFER CASE & DIFFERENTIAL

Front Axle - Steering



ITEM NO.	PART NUMBER	DESCRIPTION	QTY.
1	GA5056030	NUT M27 X 1.5, UNI 5594 Cl.8, DROMOS, 001.110.0530.0	2
2	GA5056035	SPLIT PIN, 5X4 UNI 1336, DROMOS, 001.142.0060.0	2
3	GA5078809	BALL END, DROMOS, 001.412.0160.0	2
4	GA5056040	NUT M28 X 1.5, DX, DROMOS, 012.010.7700.1	2
5	GA5056045	AXIAL JOINT, DROMOS, 001.410.0060.0	2
6	GA5072840	COMPLETE CONTROL ROD, STEERING CYLINDER, FRONT AXLE, G8 DROMOS, 001.411.0160	2
7	GA5056050	GASKET KIT, DROMOS, SUIT, STEERING CYLINDER, GA5072965, 707.980.0300.0	1
	GA5072965	DOUBLE-ACTING CYLINDER	1
8	GA3500323	HYDRAULIC ADAPTOR, ELBOW, 90 DEGREE, 1/2" BSPT MALE X 1/2" BSPP MALE O-RING (NOT SHOWN)	2
9	GA5056055	CAP SCREW, SOCKET HEAD, HEXAGON, M18 X 50, UNI 5931 12.9, DROMOS, 001.091.0240.0	8
10	GA5056060	BOLT, HEXAGON, M14 X 70, UNI 5739 8.8 ZINCATA, DROMOS, 001.090.0850.0	2
11	GA5056065	NUT M14, UNI 5588 Cl.8, DROMOS, 001.110.0100.0	2

Front Axle - Differential



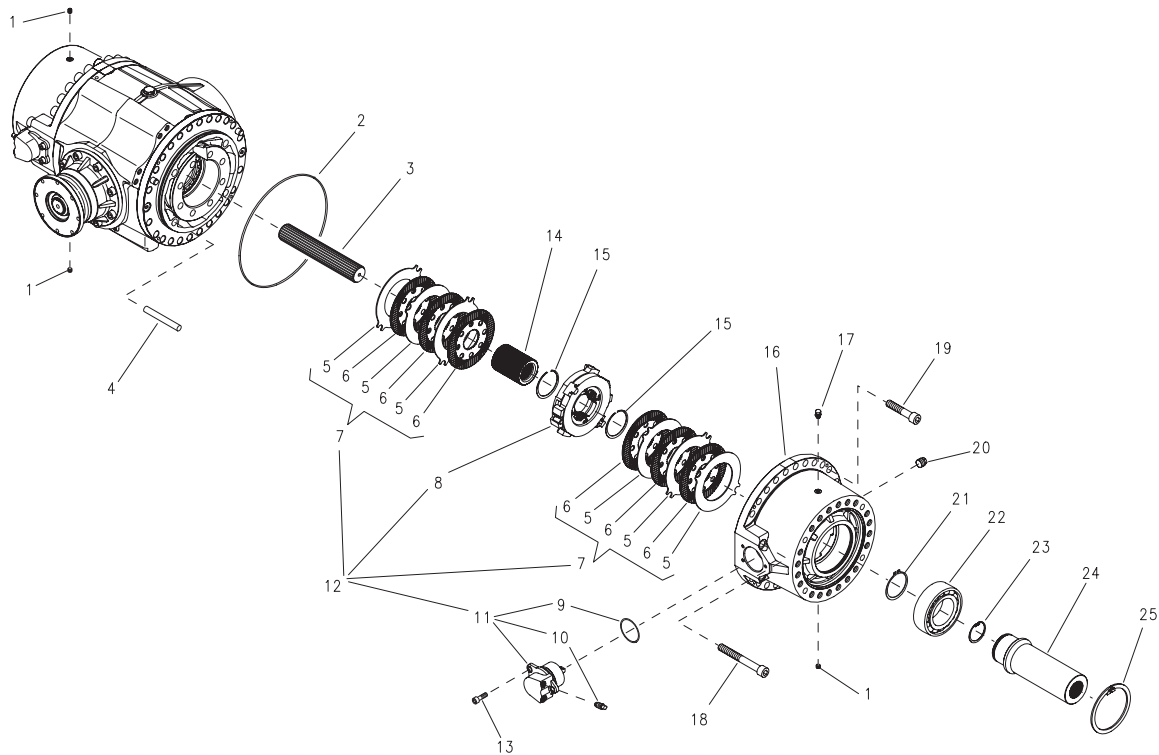
ITEM NO.	PART NUMBER	DESCRIPTION	QTY.
-	GA9000000	DIFFERENTIAL ASSEMBLY - NO DRIVESHAFTS, FRONT, G8 SUPER CRUISER, DROMOS, CUSTOMER EXCHANGE	-
1	GA5073520	RING NUT, INPUT SHAFT, DIFFERENTIAL, FRONT & REAR	1
2	GA5056070	THRUST WASHER, 45X65X1 COD. AS4565, TORRINGTON, DROMOS, 001.031.0020.0	1
3	GA5056075	TRANSMISSION FLANGE, FRONT AXLE, G8, DROMOS, 012.230.1270.1	1
4	GA5056080	OIL SEAL PROTECTOR, FRONT AXLE, G8, DROMOS, 012.370.0060.1	1
5	GA5072790	OIL SEAL BAUM6SLX7 90X120X12 FKM REF.: SIMRIT	1
6	GA5056085	SHOULDER RING, BR 120, TORRINGTON, DROMOS, 001.081.0280.0	1
7	GA5072945	OIL SEAL RING RACE, DIFF INPUT, AXLE, G8, DROMOS	1
8	GA1700019	BEARING, TAPERED 31311 REF.: TIMKEN, AXLE, DROMOS	1
9	GA5056090	CAP SCREW, SOCKET HEAD, HEXAGON, M14X40 UNI 593 12.9, DROMOS, 001.091.0020.0	8
10	GA5056095	BEARING SUPPORT BUSH, FRONT AXLE, G8, DROMOS, 012.140.0460.1	1
11	GA5056100	SHIM, 55X68X0.30, FRONT AXLE, DROMOS, 012.310.0160.1	2
12	GA5056105	SHIM, 55X68X0.20 FRONT AXLE, DROMOS, 012.310.0150.1	4
13	GA5056110	SHIM, 55X68X0.15 FRONT AXLE, DROMOS, 012.310.0140.1	2
14	GA5056115	SPACER, PINION, FRONT AXLE, DROMOS, 012.320.1220.1	1
15	GA5072805	O-RING 2-260 - 164,69X3,53 NBR 70 REF.: PARKER	1
16	GA1700021	BEARING TAPERED 32312 C REF.: NTN, AXLE, DROMOS	1

Continues Over Page

Front Axle - Differential

ITEM NO.	PART NUMBER	DESCRIPTION	QTY.
17	GA5056120	BEVEL GEAR & PINION, FRONT AXLE, DROMOS, 808.010.0990.0	1
18	GA5056125	CENTRAL CASING, FRONT AXLE, DROMOS, 012.120.2340.1	1
19	GA5078486	FILL PLUG, M22 X 1.5, DROMOS	1
20	GA5073435	WASHER, COPPER GASKET, 22 X 28 X 1.5 MM, DROMOS	2
21	GA5056130	MAGENETIC DRAIN PLUG, WITH ROD, M22X1.5-75 COD. FMC4M, MINTOR, DROMOS, 002.156.0010.1	1
22	GA5056135	DIFFERENTIAL UNIT, FRONT AXLE, DROMOS, 808.020.0010.0	1
23	GA5056140	SUPPORT RING, CROWN, WHEEL, FRONT AXLE, DROMOS, 012.300.0410.1	2
24	GA5056145	PARALLEL PIN A, 6X20 UNI EN ISO, 8734, DROMOS, 001.132.0150.0	2
25	GA5056150	PLANETARY GEAR, BEVELLED, DROMOS, 012.262.0160.1	2
26	GA5056155	SUPPORT RING, PLANETARY, DIFFERENTIAL, DROMOS, 012.300.0400.1	4
27	GA5056160	PLANETARY GEAR, BEVELLED, DROMOS, 012.262.0170.1	4
28	GA5056165	CROSS, CENTRAL, SPIDER GEAR, DROMOS, 012.271.0040.1	1
29	GA5072980	DIFFERENTIAL UNIT, AXLE, G8, DROMOS	1
30	GA5056170	CAP SCREW, HEXAGONAL HEAD, M16X1.5X110, UNI 5738 10.9, DROMOS, 001.090.0510.0	12
31	GA5056175	CAP SCREW, HEXAGONAL HEAD, M16X1.5X50 UNI 5740 10.9, DROMOS, 001.090.0520.0	4
32	GA5072800	O-RING 2-278 - 304,39X3,53 NBR 70 REF.: PARKER	2
33	GA5056180	DIFFERENTIAL SUPPORT FLANGE, FRONT AXLE, DROMOS, 012.120.2310.1	2
34	GA5056185	CAP SCREW, HEXAGON SOCKET, FLAT HEAD, M12X40, UNI 5933 10.9, DROMOS, 001.092.0080.0	4
35	GA5056190	PARALLEL PIN A, 16X60, UNI EN ISO 8734, DROMOS, 001.132.0370.0	2
36	GA5068835	BEARING, TAPER ROLLER, 90 ID X 150 OD X 45 THICK, 33118	2
37	GA5056195	SHIM, 133,4X149,7X0,15, FRONT AXLE, DROMOS, 012.310.0360.1	5
38	GA5056200	SHIM, 133,4X149,7X0,20, FRONT AXLE, DROMOS, 012.310.0370.1	5
39	GA5056205	SHIM, 133,4X149,7X0,30, FRONT AXLE, DROMOS, 012.310.0380.1	5
40	GA5056210	ADJUSTMENT SPACER, FRONT AXLE, DROMOS, 012.320.2970.1	2
41	GA5056215	HEXAGON SOCKET HEAD CAP SCREW, M12X55, UNI 5931 12.9, DROMOS, 001.091.0690.0	16

Front Axle - Brakes



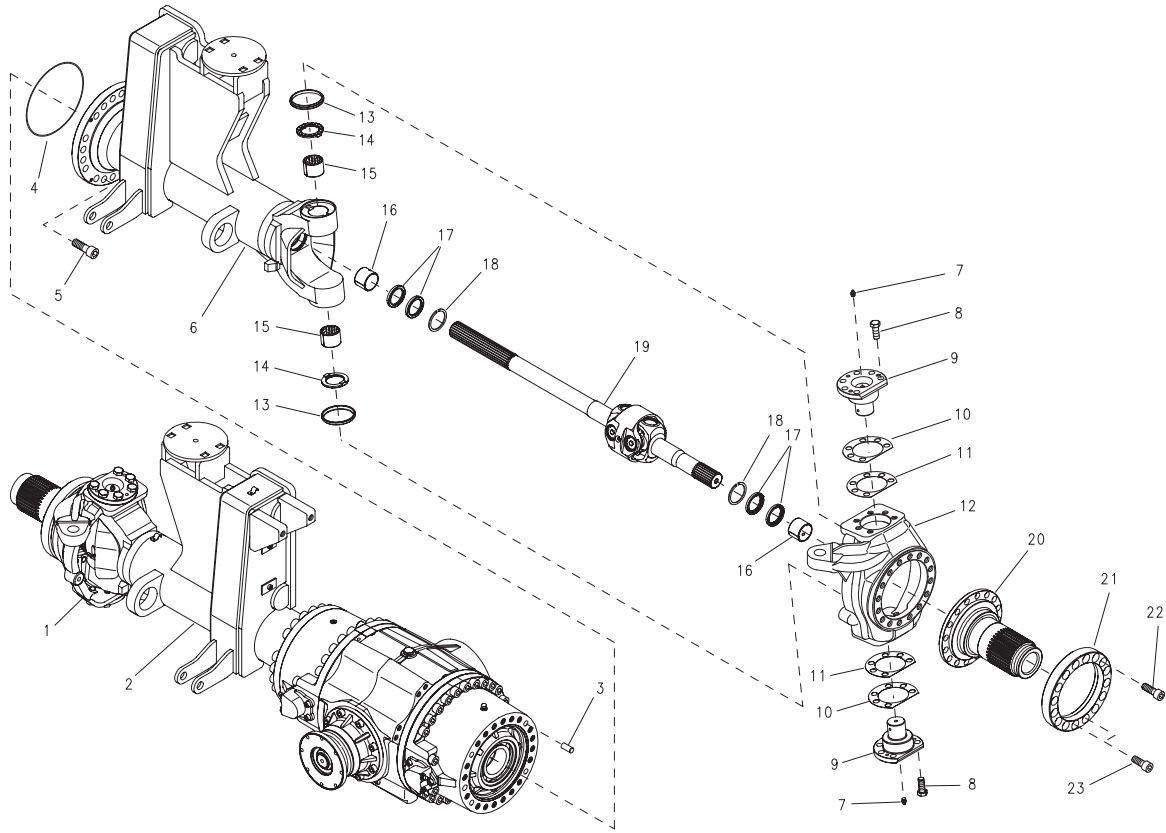
ITEM NO.	PART NUMBER	DESCRIPTION	QTY.
1	GA5056220	CONICAL PLUG, HEXAGON SOCKET, HEAD CAP, M10X1, DIN 906 5.8, DROMOS, 001.150.0020.0	3
2	GA5056225	O-RING 2-275 - 266,29X33,53, NBR 70, PARKER, DROMOS, 001.061.0340.0	2
3	GA5072860	DRIVE SHAFT, FRONT AXLE, G8, DROMOS	2
4	GA0500062	PARALLEL PIN A 20X140 UNI EN ISO 8734	8
5	GA5056230	DISC, INTERMEDIATE, BRAKE ASSY, FRONT AXLE, DROMOS, 012.081.0050.1	12
6	GA5056235	CLUTCH DISC, BRAKE ASSY, FRONT AXLE, DROMOS, 012.082.0050.1	12
7	GA5056240	KIT, BRAKE DISCS, FRONT AXLE, DROMOS, 707.970.0050.0	2
8	GA5056245	BRAKE CASING, FRONT AXLE, BRAKE ASSY, DROMOS, 707.960.0080.0	2
9	GA5056250	O-RING 64,00X4,00 NBR 70, DICHTOMATIK, FRONT AXLE, DROMOS, 001.061.0940.0	2
10	GA5056255	BLEEDER VALVE, M14X1,5 COD. 45554.02, KNOTT, DROMOS, 003.010.0220.1	2
11	GA5056260	ACTUATION CYLINDER, BRAKE ASSY, FRONT AXLE, DROMOS, 001.430.0150.0	2
12	GA5072970	DISC BRAKE	2
13	GA5056265	CAP SCREW, SOCKET HEAD, HEXAGON, M10X30 UNI 5931 12.9, DROMOS, 001.091.0210.0	6
14	GA5072875	SLEEVE FOR DISC BRAKE, AXLE, DROMOS	2

Continues Over Page

Front Axle - Brakes

ITEM NO.	PART NUMBER	DESCRIPTION	QTY.
15	GA5056270	SHOULDER RING, WR 75, TORRINGTON, FRONT AXLE, BRAKE ASSY, DROMOS, 001.080.0130.0	4
16	GA5056275	CASING, BRAKE ASSY, FRONT AXLE, DROMOS, 012.030.1660.1	2
17	GA5056280	CONICAL BREATHER PLUG, WITH VALVE, M10X1 COD. I30400058-MOD. 33A, NOSTRALI, DROMOS, 001.155.0010.0	1
18	GA5056285	CAP SCREW, SOCKET HEAD, HEXAGON, M18X150, UNI 5931 12.9, DROMOS, 001.091.1370.0	4
19	GA5056290	CAP SCREW, SOCKET HEAD, HEXAGON, M18X90, UNI 5931 12.9, DROMOS, 001.091.1360.0	44
20	GA5056295	CONICAL PLUG, HEXAGONAL HEAD, M22X1.5, DIN 909 5.8, DROMOS, 001.150.0010.0	2
21	GA5056300	RETAINING RING, BRAKE ASSY, FRONT AXLE, E80, UNI 7435, DROMOS, 001.070.0200.0	2
22	GA1700016	BEARING, DOUBLE ROW ANGULAR CONTACT BALL 3216 A REF.: SKF, AXLE, DROMOS	2
23	GA5056305	RETAINING RING, BRAKE ASSY, FRONT AXLE, I45, UNI 7437, DROMOS, 001.071.0060.0	2
24	GA5056310	SLEEVE, DRIVE SHAFT, BRAKE ASSY, FRONT AXLE, DROMOS, 012.231.2410.1	2
25	GA5056315	RETAINING RING, BRAKE ASSY, FRONT AXLE, I140, UNI 7437, DROMOS, 001.071.0430.0	2

Front Axle - Driveshafts



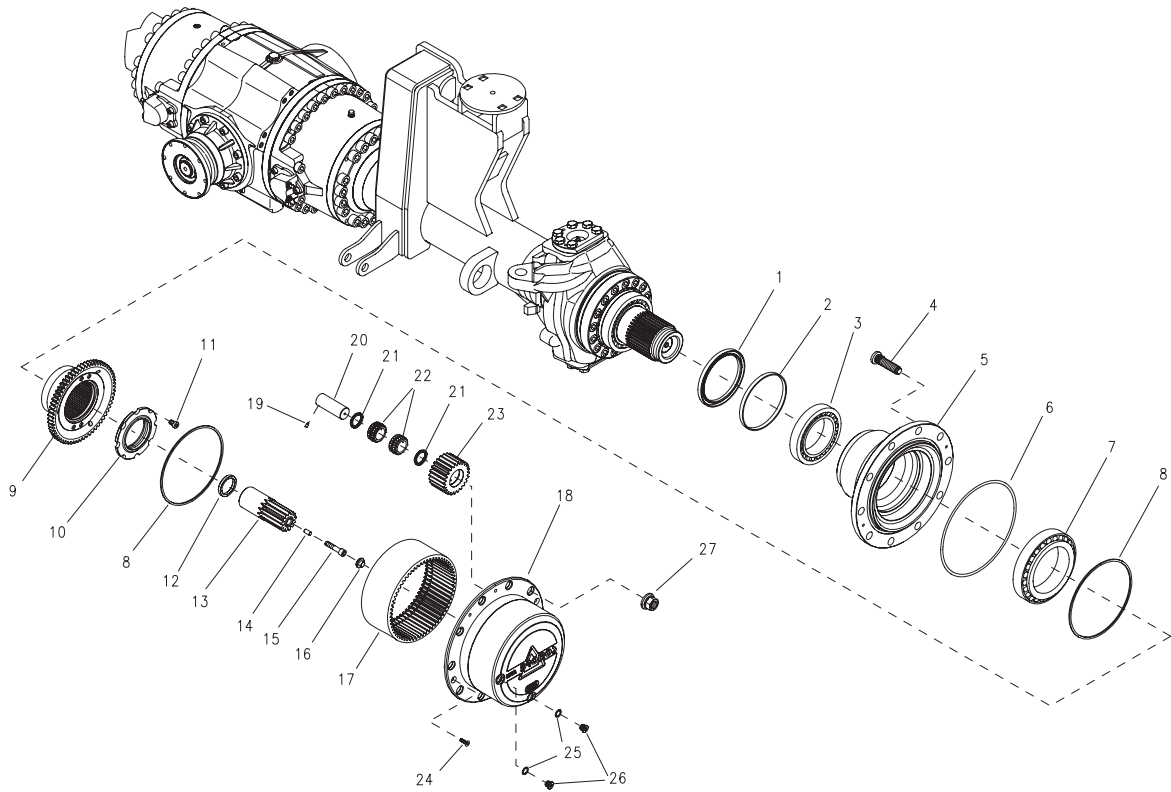
ITEM NO.	PART NUMBER	DESCRIPTION	QTY.
1	GA5056320	EXTERNAL LEFT SIDE ARTICULATION, FRONT AXLE, DROMOS, 012.160.0960.1, (ONLY SOLD IN CONJUNCTION WITH RH SIDE 012.160.0950.1, SOLD AS PAIRS)	1
2	GA5056325	CASING, L/H SIDE, COMPLETE ASSY, FRONT AXLE, DROMOS, 012.120.2760.1	1
3	GA0500063	PARALLEL PIN A 16X35 UNI EN ISO 8734	2
4	GA5072815	O-RING 2-269 - 221,84X3,53 NBR 70 REF.: PARKER	2
5	GA5056330	CAP SCREW, SOCKET HEAD, HEXAGON, M20X60, UNI 593 I 12CAP SCREW, SOCKET HEAD, HEXAGON, M20X60, UNI 593 I 12.9, DROMOS, 001.091.0730.0	40
6	GA5056335	CASING, R/H SIDE, COMPLETE ASSY, FRONT AXLE, DROMOS, 012.120.2760.1	1
7	GA5072835	STRAIGHT LUBRICATOR M10X1 UNI 7663 MOD. A 5.8 (GREASE NIPPLE)	4
8	GA5011287	SET SCREW M16 X 40 GR 8.8 ZP	24
9	GA5072910	ARTICULATION PIN, AXLE, G8, DROMOS	4
10	GA5072920	SHIM A, ARTICULATION PIN, AXLE, G8, DROMOS	10
11	GA5072925	SHIM B, ARTICULATION PIN, AXLE, G8, DROMOS	10
12	GA5056495	EXTERNAL RIGHT HALF ARTICULATION, (REFER TO GA5056320, 012.160.0960.1-ONLY SOLD IN CONJUNCTION WITH LH SIDE, SOLD AS PAIRS)	1

Continues Over Page

Front Axle - Driveshafts

ITEM NO.	PART NUMBER	DESCRIPTION	QTY.
13	GA5072820	WIPER RING AU AS 85X95X10/7 REF.: SIMRIT, ARTICULATION PIN, FRONT AXLE, G8, DROMOS	4
14	GA5072960	THRUST WASHER, ARTICULATION PIN, FRONT AXLE, G8, DROMOS	4
15	GA1700023	BUSHING, BEARING, SLIDING, SB-30 - 50X55X40, AXLE, DROMOS	4
16	GA1700022	BUSHING, BEARING, SLIDING, 50X55X40 C SB-20, AXLE, DROMOS	4
17	GA5072780	OIL SEAL BAU3SLX2 50X65X8 NBR REF.: SIMRIT	8
18	GA5072825	RETAINING RING J 65X2,5 V, DRIVE SHAFT, FRONT AXLE, G8, DROMOS	4
19	GA5072870	UNIVERSAL JOINT WITH DRIVE SHAFTS COD. 3442019 REF.: SOREM TRASM. MECCANICHE	2
20	GA5072880	SPINDLE	2
21	GA5072845	WIPER RING	2
22	GA5050825	HEXAGON SOCKET HEAD CAP SCREW M18X55 UNI 593I 12.9	28
23	GA0500056	HEXAGON SOCKET HEAD CAP SCREW M18X50 UNI 593I 12.9	4

Front Axle - Planetary Hubs



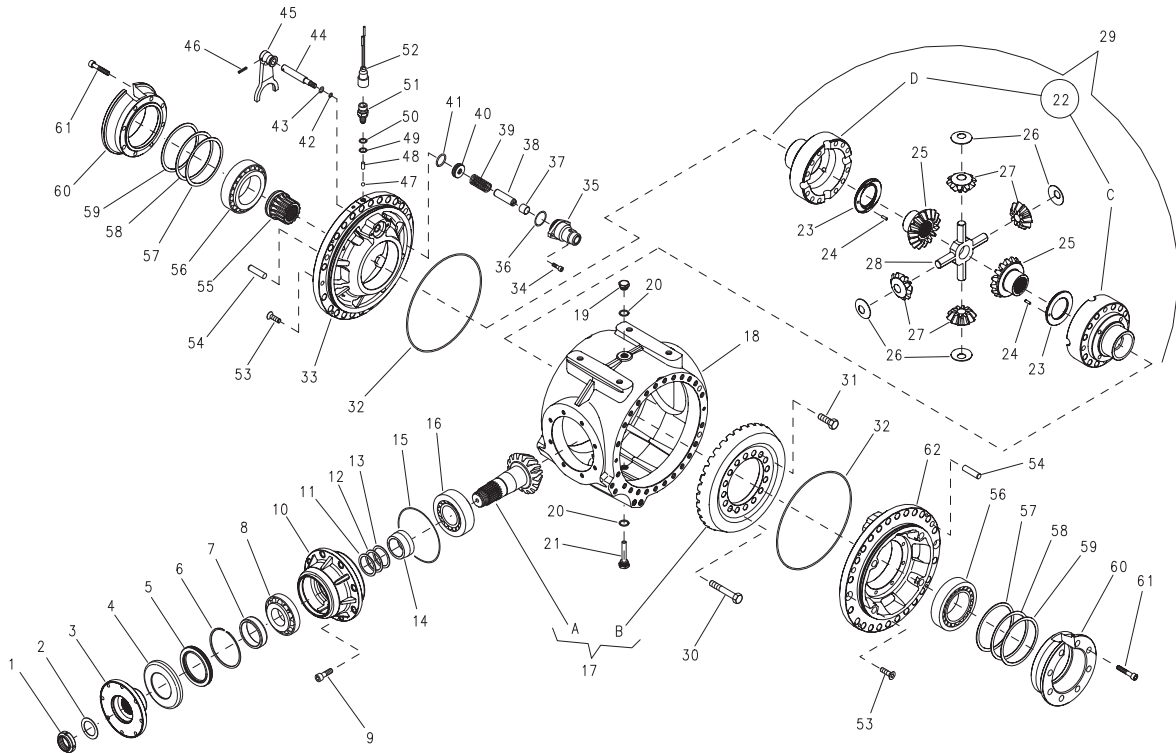
ITEM NO.	PART NUMBER	DESCRIPTION	QTY.
-	GA2700196	PLANETARY HUB ASSEMBLY, G8 SUPER CRUISER AXLE, SUIT 290MM ID RIM ONLY, 909.500.1150.0	2
1	GA5072785	OIL SEAL BASL 140X170X12 NBR REF.: SIMRIT	2
2	GA5072930	SPACER	2
3	GA1700018	TAPERED BEARING 32022 X REF.: TIMKEN	2
4	GA5072950	STUD M22X1,5X85 CL. 010.9	20
5	GA5072850	WHEEL HUB	2
6	GA5072795	O-RING 2-379 - 278,77X5,33 NBR 70 REF.: PARKER	2
7	GA1700020	TAPERED BEARING 32028 X REF.: TIMKEN	2
8	GA5072830	SHOULDER RING BR 240 REF.: TORRINGTON	4
9	GA5072895	HUB FOR PLANETARY ANNULUS GEAR	2
10	GA5072955	RING NUT, PLANETARY HUB, AXLE	2
11	GA5000277	HEXAGON SOCKET HEAD CAP SCREW M12X16 UNI 9327 8.8	4
12	GA5072940	SPACER	2
13	GA5072885	SUN GEAR	2
14	GA0500066	PARALLEL PIN 10X20 REF.: DROMOS	2
15	GA5072990	HEXAGON SOCKET HEAD CAP SCREW M12X56 12.9 REF.: DROMOS	2
16	GA5072915	SMALL BLOCK	2

Continues Over Page

Front Axle - Planetary Hubs

ITEM NO.	PART NUMBER	DESCRIPTION	QTY.
17	GA5072900	ANNULAR GEAR	2
18	GA5074370	PLANETARY HUB, 280MM, DROMOS, COMES WITH SUB-SUPPORT, 012.111.0270.1	2
	GA5026329	PLANETARY CARRIER, 290MM, DROMOS, COMES WITH SUB-SUPPORT	2
19	GA0500061	HEXAGON SOCKET SCREW WITHOUT HEAD CAP M6X12 UNI 5925 45 H	8
20	GA5072905	PLANETARY GEAR PIN	8
21	GA5072935	SPACER	16
22	GA1700017	CYLINDRICAL ROLLER BEARING DOUBLE ROW COD. 2488 REF.: CP	16
23	GA5072890	SUN GEAR	8
24	GA0500060	HEX SOCKET COUNTERSUNK FLAT HEAD CAP SCREW M8X25 UNI 593310.9	4
25	GA0500065	COPPER GASKET 16X22X1,5	4
26	GA0500064	CYLINDRICAL HEAD PLUG WITH HEXAGON SLOT M16X1,5 DIN 908 5.8	4
27	GA5018892	STUD NUT M22X1,5 P DIN 74361/H CL. 10	20

Rear Axle - Differential



ITEM NO.	PART NUMBER	DESCRIPTION	QTY.
-	GA9000001	DIFFERENTIAL ASSEMBLY - NO DRIVESHAFTS, REAR, G8 SUPER CRUISER, DROMOS, CUSTOMER EXCHANGE	-
1	GA5073520	RING NUT, INPUT SHAFT, DIFFERENTIAL, FRONT & REAR	1
2	GA5056070	THRUST WASHER, 45X65X1 COD. AS4565, TORRINGTON, DROMOS, 001.031.0020.0	1
3	GA5056075	TRANSMISSION FLANGE, FRONT AXLE, G8, DROMOS, 012.230.1270.1	1
4	GA5056080	OIL SEAL PROTECTOR, FRONT AXLE, G8, DROMOS, 012.370.0060.1	1
5	GA5072790	OIL SEAL BAUM6SLX7 90X120X12 FKM REF.: SIMRIT	1
6	GA5056085	SHOULDER RING, BR 120, TORRINGTON, DROMOS, 001.081.0280.0	1
7	GA5072945	OIL SEAL RING RACE, DIFF INPUT, AXLE, G8, DROMOS	1
8	GA1700019	BEARING, TAPERED 31311 REF.: TIMKEN, AXLE, DROMOS	1
9	GA5056090	CAP SCREW, SOCKET HEAD, HEXAGON, M14X40 UNI 5931 12.9, DROMOS, 001.091.0020.0	8
10	GA5072855	BEARING SUPPORT BUSH, DIFFERENTIAL INPUT SHAFT, AXLE, G8, DROMOS	1
11	GA5056110	SHIM, 55X68X0.15 FRONT AXLE, DROMOS, 012.310.0140.1	2
12	GA5056105	SHIM, 55X68X0.20 FRONT AXLE, DROMOS, 012.310.0150.1	4
13	GA5056100	SHIM, 55X68X0.30, FRONT AXLE, DROMOS, 012.310.0160.1	2
14	GA5056115	SPACER, PINION, FRONT AXLE, DROMOS, 012.320.1220.1	1
15	GA5056340	O-RING, 2-260 - 164,69X3,53, NBR 70, PARKER, DROMOS, 001.061.0310.0	1
16	GA5056345	TAPERED BEARING, 32312 C, NTN, DROMOS, 001.013.0420.0	1

Continued over page

Rear Axle - Differential

ITEM NO.	PART NUMBER	DESCRIPTION	QTY.
17	GA5056350	GEAR & PINION, REAR AXLE, DIFFERENTIAL, DROMOS, 808.010.1000.0	1
18	GA5056125	CENTRAL CASING, FRONT AXLE, DROMOS, 012.120.2340.1	1
19	GA5078486	FILL PLUG, M22 X 1.5, DROMOS	1
20	GA5073435	WASHER, COPPER GASKET, 22 X 28 X 1.5 MM, DROMOS	2
21	GA5056130	MAGENETIC DRAIN PLUG, WITH ROD, M22X1.5-75 COD. FMC4M, MIINTOR, DROMOS, 002.156.0010.1	1
22	GA5056500	DIFFERENTIAL UNIT, REAR AXLE, DROMOS, 808.020.0150.0	1
23	GA5056140	SUPPORT RING, CROWN, WHEEL, FRONT AXLE, DROMOS, 012.300.0410.1	2
24	GA5056145	PARALLEL PIN A, 6X20 UNI EN ISO, 8734, DROMOS, 001.132.0150.0	2
25	GA5056150	PLANETARY GEAR, BEVELLED, DROMOS, 012.262.0160.1	2
26	GA5056155	SUPPORT RING, PLANETARY, DIFFERENTIAL, DROMOS, 012.300.0400.1	4
27	GA5056160	PLANETARY GEAR, BEVELLED, DROMOS, 012.262.0170.1	4
28	GA5056165	CROSS, CENTRAL, SPIDER GEAR, DROMOS, 012.271.0040.1	1
29	GA5072985	DIFFERENTIAL LOCKING CONTROL, AXLE, G8, DROMOS	1
30	GA5056170	CAP SCREW, HEXAGONAL HEAD, M16X1.5X110, UNI 5738 10.9, DROMOS, 001.090.0510.0	12
31	GA5056175	CAP SCREW, HEXAGONAL HEAD, M16X1.5X50 UNI 5740 10.9, DROMOS, 001.090.0520.0	4
32	GA5056355	O-RING 2-278 - 304,39X3,53, NBR 70, PARKER, DROMOS, 001.061.0140.0	2
33	GA5056360	DIFFERENTIAL SUPPORT, REAR AXLE, DROMOS, 012.120.2600.1	1
34	GA5056365	CAP SCREW, SOCKET HEAD, HEXAGON, M8X25, UNI 5931 12.9, DROMOS, 001.091.0140.0	2
35	GA5056370	LOCKING CYLINDER, CASING, REAR AXLE, DROMOS, 012.010.7950.1	1
36	GA5056375	O-RING, 2-133 - 45,69X2,62, NBR 70, PARKER, DROMOS, 001.061.0020.0	1
37	GA5056380	BUSHING, 20X23X20, C SB-20, FP - SLIDING BEARINGS, DROMOS, 001.040.0130.0	1
38	GA5056385	ROD EXTENSION, REAR AXLE, DROMOS, 012.010.7610.1	1
39	GA5056390	SPRING COD. D13390, METER - SPECSPRING COD. D13390, METER - SPEC, REAR AXLE, DROMOS, 012.490.0310.1C	1
40	GA5056395	PISTON, LOCKING CYLINDER, REAR AXLE, DROMOS, 012.010.7940.1	1
41	GA5056400	O-RING, 2-219 - 32,92X3,53, NBR 70, PARKER, SUIT, REAR AXLE, DROMOS, 001.061.0330.0	1
42	GA5056405	O-RING 2-015 - 14,00X1,78, NBR 70, PARKER, SUIT, REAR AXLE, DROMOS, 001.061.0630.0	1
43	GA5056410	O-RING 5-256 - 17,96X2,62, NBR 70, PARKER, SUIT, REAR AXLE, DROMOS, 001.061.0390.0	1
44	GA5056415	FORK ROD, SUIT, REAR AXLE, DROMOS, 012.272.0680.1	1

Continued over page

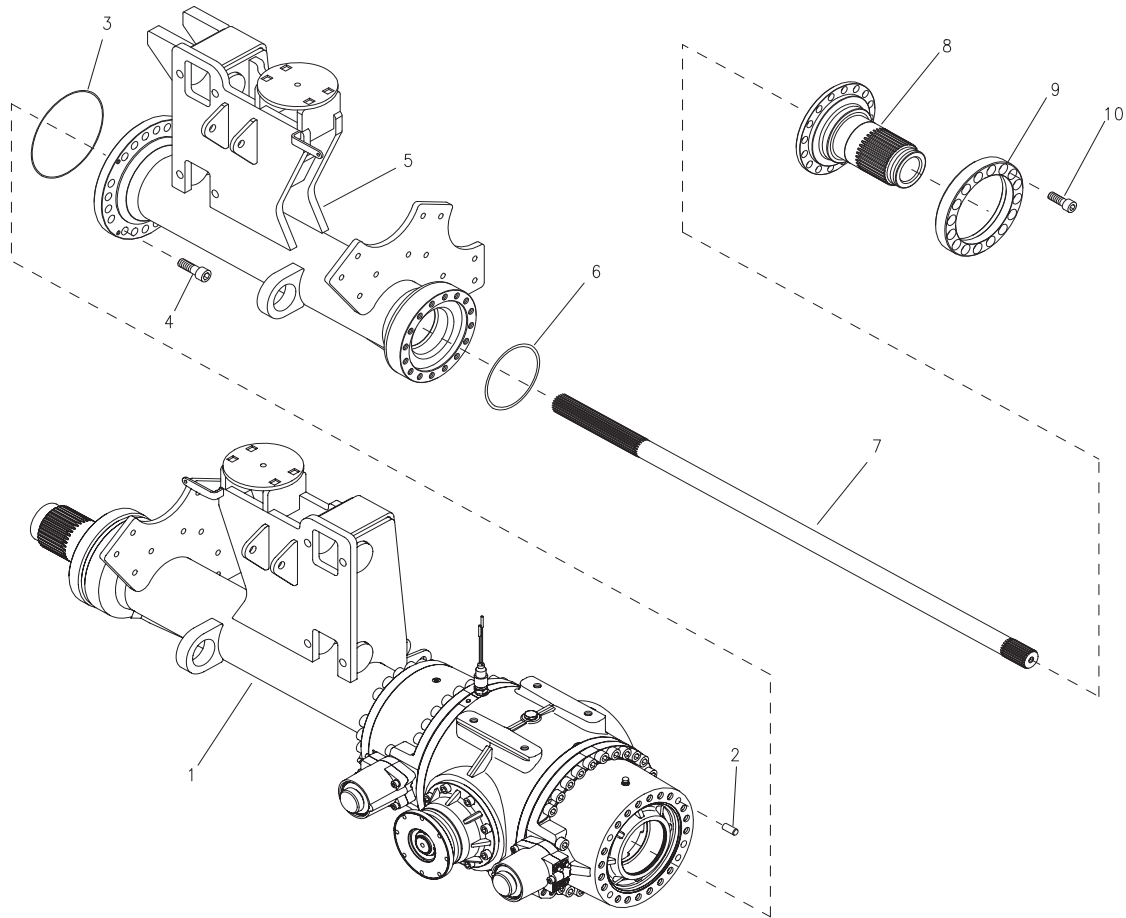
Rear Axle - Differential

ITEM NO.	PART NUMBER	DESCRIPTION	QTY.
45	GA5056420	FORK, LOCKING, SUIT, REAR AXLE, DIFFERENTIAL, DROMOS, 012.272.0680.1	1
46	GA5055915	SPIRAL DOWEL PIN, M6 X 30 DIN 7344, ADJUSTABLE DRIVE SHAFT, G3 G4, DROMOS, 001.133.0080.0	1
47	GA5056425	BALL DIAM. 3/8", 9,525, G40 - AISI52100, TRIDELLA, DROMOS, 001.033.0010.0	1
48	GA5056430	PARALLEL PIN, 10X19, DROMOS, 002.132.0060.1	1
49	GA5056435	SHIM, 16X22X0.20, SUIT, REAR AXLE, DROMOS, 012.310.0340.1	5
50	GA5056440	SHIM, 16X22X0.10, SUIT, REAR AXLE, DROMOS, 012.310.0680.1	5
51	GA5056445	SWITCH COD, 330.460, ERA, DROMOS, 001.440.0250.0	1
52	GA5056450	CABLE CONNECTOR, SUIT, REAR AXLE, DROMOS, 001.490.0060.0	1
53	GA5056185	CAP SCREW, HEXAGON SOCKET, FLAT HEAD, M12X40, UNI 5933 10.9, DROMOS, 001.092.0080.0	4
54	GA5056190	PARALLEL PIN A, 16X60, UNI EN ISO 8734, DROMOS, 001.132.0370.0	2
55	GA5056455	CLUTCH SLEEVE, SUIT, REAR AXLE, DROMOS, 012.231.2400.1	1
56	GA5068835	BEARING, TAPER ROLLER, 90 ID X 150 OD X 45 THICK, 33118	2
57	GA5056195	SHIM, 133,4X149,7X0,15, FRONT AXLE, DROMOS, 012.310.0360.1	5
58	GA5056200	SHIM, 133,4X149,7X0,20, FRONT AXLE, DROMOS, 012.310.0370.1	5
59	GA5056205	SHIM, 133,4X149,7X0,30, FRONT AXLE, DROMOS, 012.310.0380.1	5
60	GA5056210	ADJUSTMENT SPACER, FRONT AXLE, DROMOS, 012.320.2970.1	2
61	GA5056215	HEXAGON SOCKET HEAD CAP SCREW, M12X55, UNI 5931 12.9, DROMOS, 001.091.0690.0	16
62	GA5056180	DIFFERENTIAL SUPPORT FLANGE, FRONT AXLE, DROMOS, 012.120.2310.1	1

Rear Axle - Brakes

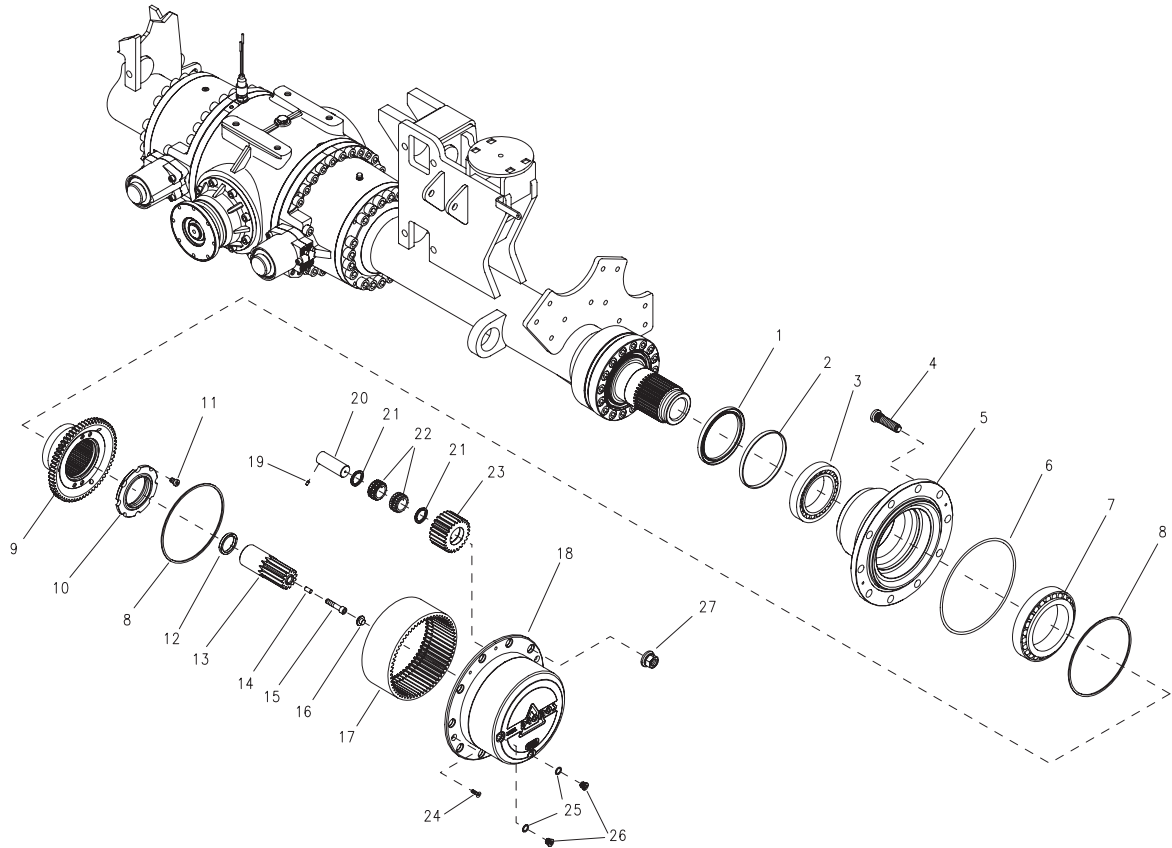
ITEM NO.	PART NUMBER	DESCRIPTION	QTY.
12	GA5056475	BRAKE ACTUATOR CYLINDER, WITH SPRING, SUIT, REAR AXLE, DROMOS, 001.430.0240.0	2
13	GA5072975	DISC BRAKE KIT, REAR AXLE, DROMOS	2
14	GA5056265	CAP SCREW, SOCKET HEAD, HEXAGON, M10X30 UNI 5931 12.9, DROMOS, 001.091.0210.0	6
15	GA5056480	BRAKE SLEEVE, SUIT, REAR AXLE, DROMOS, 012.231.2440.1	2
16	GA5056270	SHOULDER RING, WR 75, TORRINGTON, FRONT AXLE, BRAKE ASSY, DROMOS, 001.080.0130.0	4
17	GA5056275	CASING, BRAKE ASSY, FRONT AXLE, DROMOS, 012.030.1660.1	2
18	GA5056280	CONICAL BREATHER PLUG WITH VALVE M10X1 COD. I30400058 - MOD. 33A	1
19	GA5056285	CAP SCREW, SOCKET HEAD, HEXAGON, M18X150, UNI 5931 12.9, DROMOS, 001.091.1370.0	4
20	GA5056290	CAP SCREW, SOCKET HEAD, HEXAGON, M18X90, UNI 5931 12.9, DROMOS, 001.091.1360.0	44
21	GA5056295	CONICAL PLUG, HEXAGONAL HEAD, M22X1.5, DIN 909 5.8, DROMOS, 001.150.0010.0	2

Rear Axle - Driveshafts



ITEM NO.	PART NUMBER	DESCRIPTION	QTY.
1	GA5056485	RIGID SIDE CASING, LH SIDE, DROMOS, 012.120.2780.1	1
2	GA0500063	PARALLEL PIN A 16X35 UNI EN ISO 8734	2
3	GA5072815	O-RING 2-269 - 221,84X3,53 NBR 70 REF.: PARKER	2
4	GA0500059	HEXAGON SOCKET HEAD CAP SCREW M20X60 UNI 5931 12.9	40
5	GA5056490	RIGID SIDE CASING, RH SIDE, DROMOS, 012.120.2770.1	1
6	GA5072810	O-RING 2-261 - 171,04X3,53 NBR 70 REF.: PARKER	2
7	GA5072865	DRIVE SHAFT, REAR AXLE, G8, DROMOS	2
8	GA5072880	SPINDLE, AXLE, G8, DROMOS	2
9	GA5072845	WIPER RING, AXLE, G8, DROMOS	2
10	GA0500058	HEXAGON SOCKET HEAD CAP SCREW M18X60 UNI 5931 12.9	32

Rear Axle - Planetary Hubs



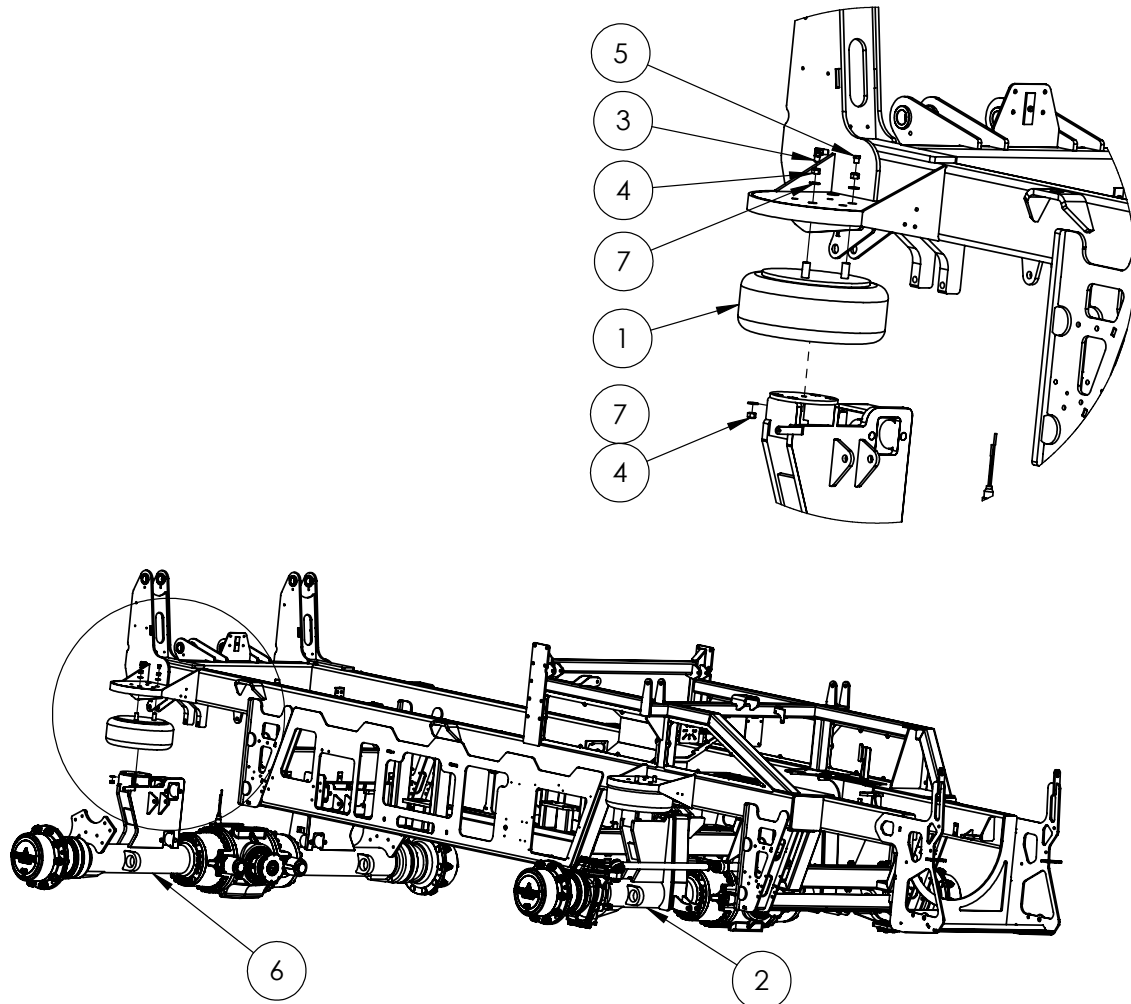
ITEM NO.	PART NUMBER	DESCRIPTION	QTY.
-	GA2700196	PLANETARY HUB ASSEMBLY, G8 SUPER CRUISER AXLE, SUIT 290MM ID RIM ONLY, 909.500.1 I 150.0	2
1	GA5072785	OIL SEAL BASL 140X170X12 NBR REF.: SIMRIT	2
2	GA5072930	SPACER, SEAL, PLANETARY HUB, AXLE, G8, DROMOS	2
3	GA1700018	BEARING, TAPERED 32022 X REF.: TIMKEN, AXLE, DROMOS	2
4	GA5072950	STUD M22X1,5X85 CL. 010.9, AXLE, G8, DROMOS	20
5	GA5072850	WHEEL HUB, AXLE, G8, DROMOS	2
6	GA5072795	O-RING 2-379 - 278,77X5,33 NBR 70 REF.: PARKER	2
7	GA1700020	BEARING TAPERED 32028 X REF.: TIMKEN, AXLE, DROMOS	2
8	GA5072830	SHOULDER RING BR 240 REF.: TORRINGTON, PLANETARY HUB, AXLE, G8, DROMOS	4
9	GA5072895	HUB FOR PLANETARY ANNULUS GEAR, AXLE, G8, DROMOS	2
10	GA5072955	RING NUT, PLANETARY HUB, AXLE, G8, DROMOS	2
11	GA5000277	BOLT M12 X 160 GR8.8 ZP	4
12	GA5072940	SPACER, SUN GEAR, AXLE, G8, DROMOS	2
13	GA5072885	SUN GEAR, AXLE, G8, DROMOS	2
14	GA0500066	PARALLEL PIN 10X20 REF.: DROMOS	2
15	GA5072990	HEXAGON SOCKET HEAD CAP SCREW M12X56 12.9 REF.: DROMOS	2
16	GA5072915	SMALL BLOCK, SUN GEAR, AXLE, G8, DROMOS	2
17	GA5072900	ANNULAR GEAR, AXLE, G8, DROMOS	2

Continues Over Page

Rear Axle - Planetary Hubs

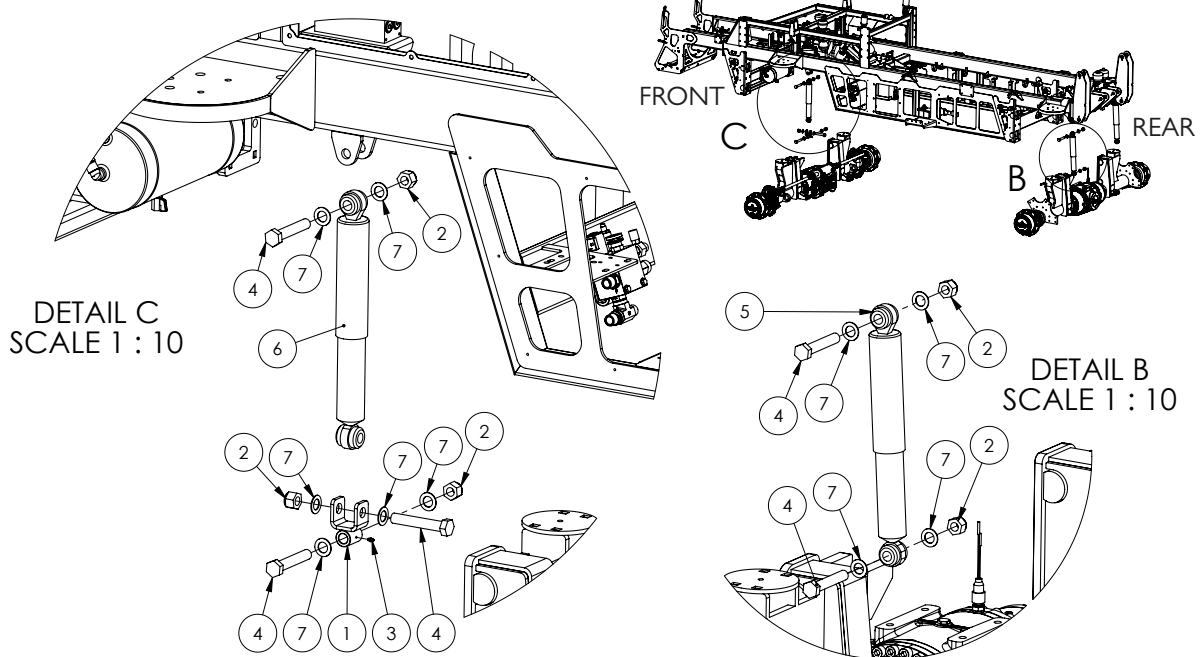
ITEM NO.	PART NUMBER	DESCRIPTION	QTY.
18	GA5074370	PLANETARY HUB, 280MM, DROMOS, COMES WITH SUB-SUPPORT, 012.111.0270.1	2
	GA5026329	PLANETARY CARRIER, 290MM, DROMOS, COMES WITH SUB-SUPPORT, 012.111.0331.1	2
19	GA0500061	HEXAGON SOCKET SCREW WITHOUT HEAD CAP M6X12 UNI 5925 45 H	8
20	GA5072905	PLANETARY GEAR PIN, AXLE, G8, DROMOS	8
21	GA5072935	SPACER, PLANETARY GEAR PIN, AXLE, G8, DROMOS	16
22	GA1700017	BEARING, CYLINDRICAL ROLLER DOUBLE ROW COD. 2488 REF.: CP, AXLE, DROMOS	16
23	GA5072890	PLANET GEAR, AXLE, G8, DROMOS	8
24	GA0500060	HEX SOCKET COUNTERSUNK FLAT HEAD CAP SCREW M8X25 UNI 593310.9	4
25	GA0500065	COPPER GASKET 16X22X1,5	4
26	GA0500064	CYLINDRICAL HEAD PLUG WITH HEXAGON SLOT M16X1,5 DIN 908 5.8, PLANETARY HUB, AXLE, G8, DROMOS	4
27	GA5018892	WHEEL NUT AND WASHER, M22 X 1.5MM, QTY 1 EACH	20

Suspension - Air Bags



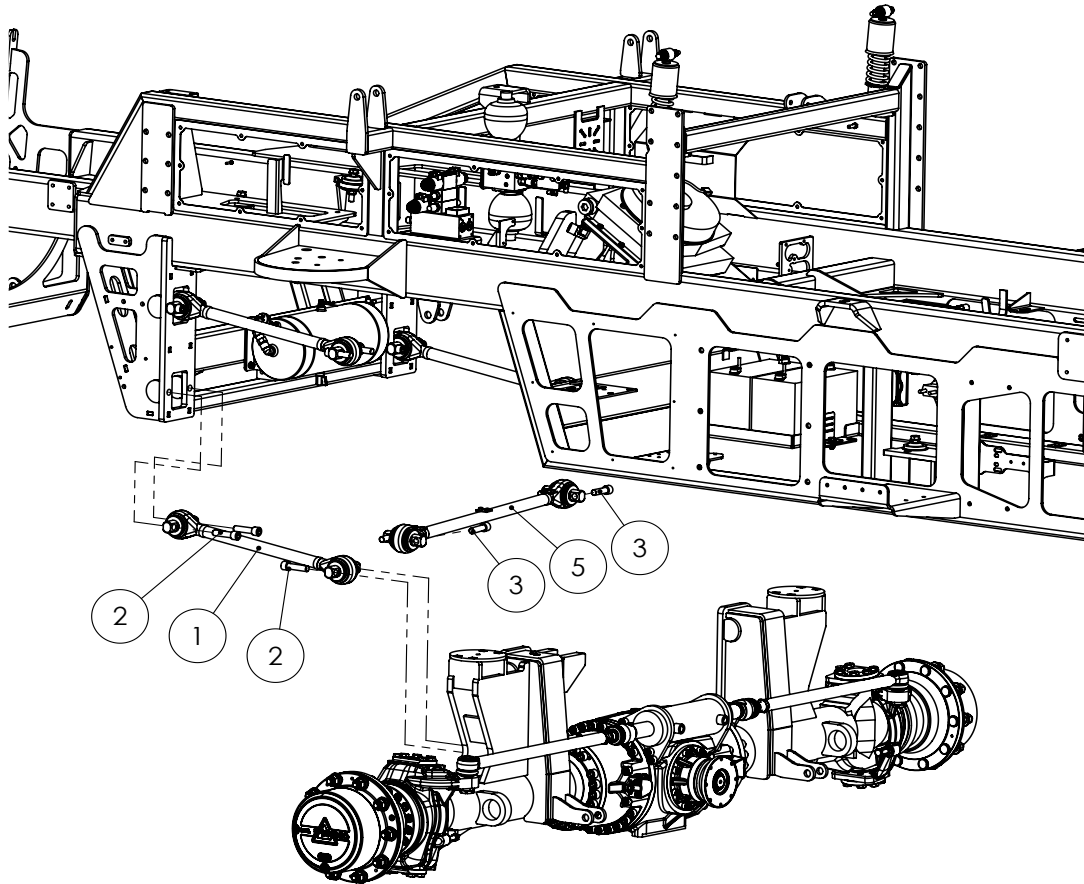
ITEM NO.	PART NUMBER	DESCRIPTION	QTY.
1	GA5005115	AIR SPRING DUAL STUD	4
2	GA4661020	FRONT AXLE, SUPER CRUISER, G8, 2015	1
3	GA3500258	HYDRAULIC COUPLING, ELBOW, 90 DEGREE, 1/4" BSPT MALE X 1/4" BSPT MALE, S49-0404	4
4	GA5050580	NUT 1/2 UNC NYLOC ZP	4
5	GA5069335	PLUG 1/4" BSPT BRASS	4
6	GA4661025	REAR AXLE, SUPER CRUISER, G8, 2015	1
7	GA5017673	WASHER 1/2" HIGH TENSILE	4

Suspension - Shock Absorbers



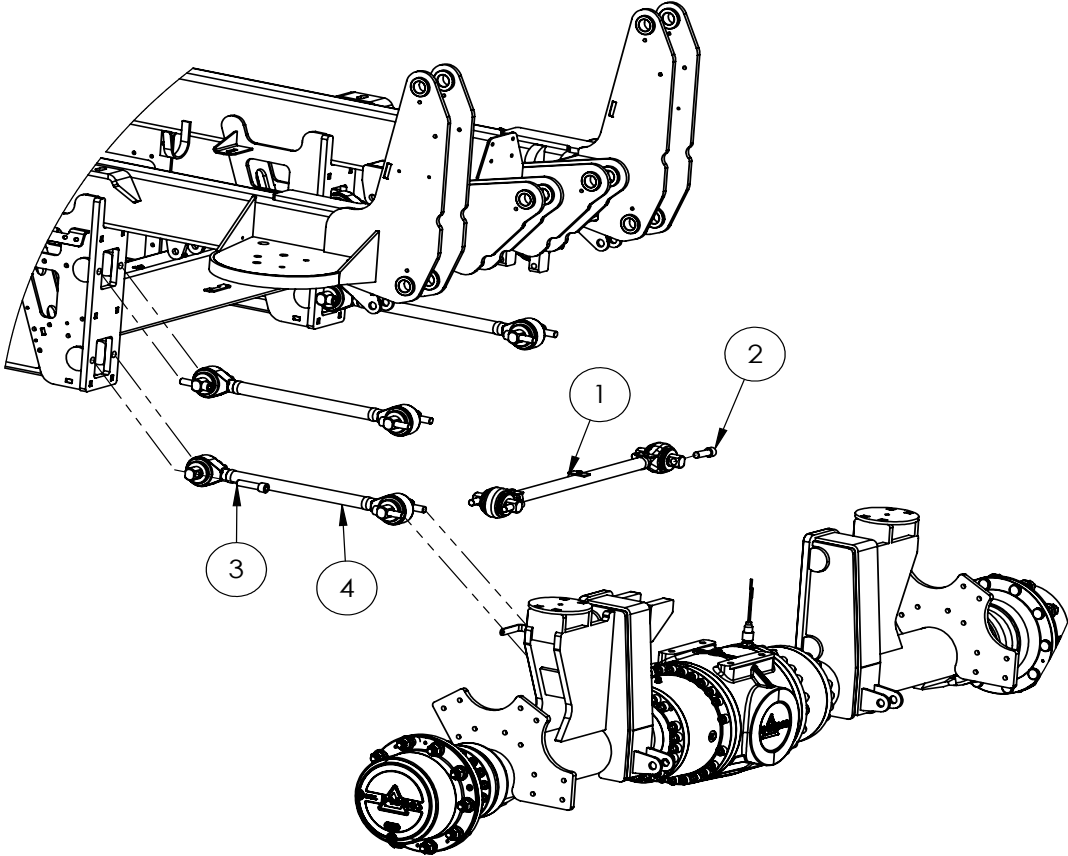
ITEM NO.	PART NUMBER	DESCRIPTION	QTY.
1	GA4660670	SHOCK ABSORBER MOUNT, FRONT AXLE	2
2	GA5012469	NUT M24 NYLOC ZP	10
3	GA5050450	GREASE NIPPLE 6MM	2
4	GA5070380	BOLT, M24 X 140, ZP GR8.8	10
5, 6	GA2500001	SHOCK ABSORBER, DAMPER, 267MM STROKE, F5007, MONROE	4
7	GA5001893	WASHER 24MM X 2MM THICK FLAT ZP	20

Suspension - Links - Front



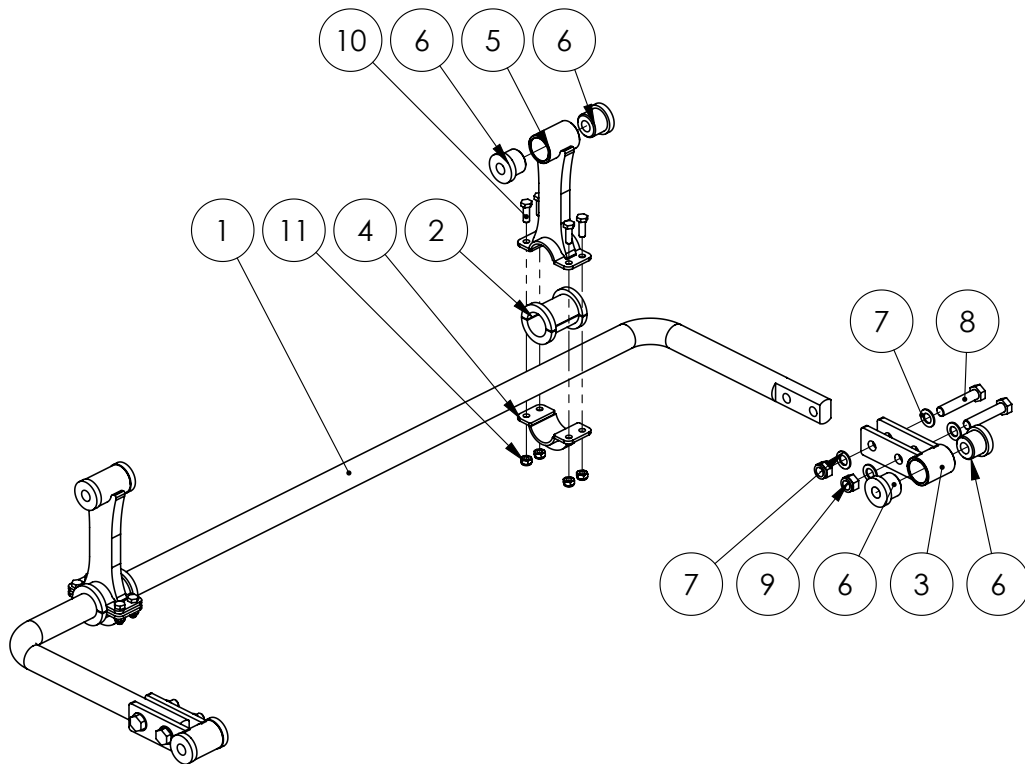
ITEM NO.	PART NUMBER	DESCRIPTION	QTY.
1	GA5068850	SUSPENSION LINK, TORQUE ROD, 650MM CENTRE, HOLLOW, ATRO	4
2	GA5053150	SHCS 3/4 UNF X 3 GR12.9 ZP BLUE	16
3	GA5053145	SHCS 3/4 UNF X 2 1/2 GR12.9 ZP BLUE	4
5	GA4660895	PANHARD BAR, FRONT, WITH SINGLE HOSE CLAMP MOUNTS, SUPER CRUISER	1

Suspension - Links - Rear



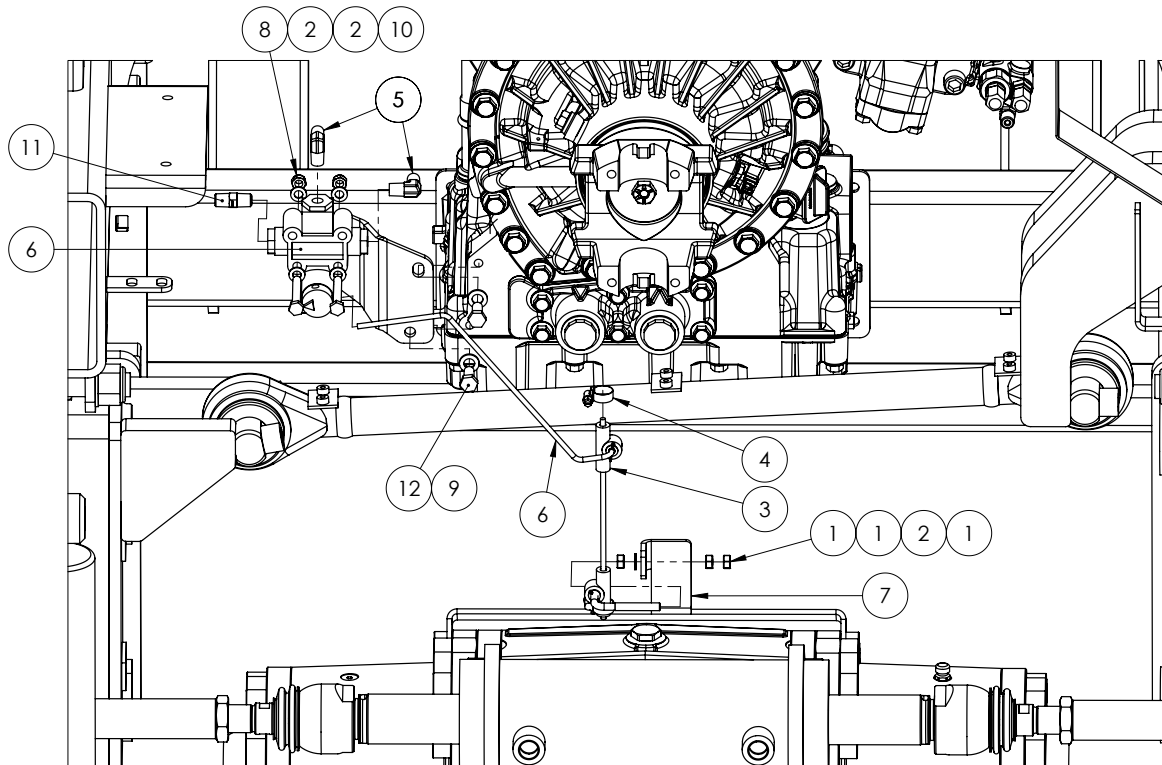
ITEM NO.	PART NUMBER	DESCRIPTION	QTY.
1	GA4660900	PANHARD BAR, REAR, WITH DOUBLE HOSE CLAMP MOUNTS, SUPER CRUISER	1
2	GA5053145	SHCS 3/4 UNF X 2 1/2 GR12.9 ZP BLUE	4
3	GA5053150	SHCS 3/4 UNF X 3 GR12.9 ZP BLUE	16
4	GA5068851	SUSPENSION LINK, TORQUE ROD, 650MM CENTRE, SOLID, ATRO	4

Suspension - Rear Sway Bar



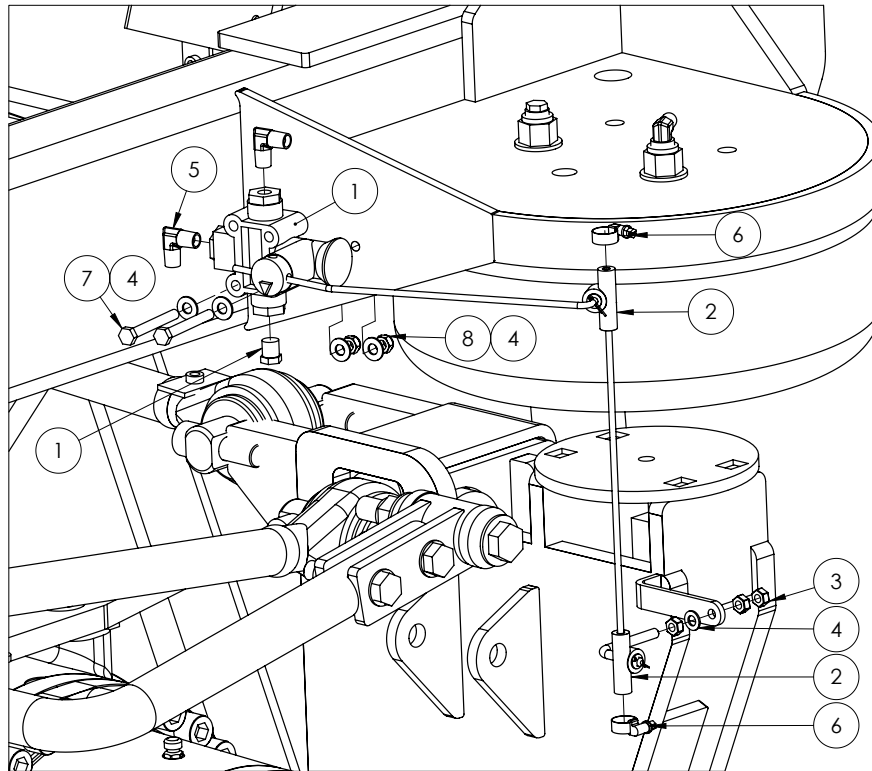
ITEM NO.	PART NUMBER	DESCRIPTION	QTY.
1	GA5071910	SWAY BAR	1
2	GA4583285	NYLON BUSH FOR SWAY BAR, 42MM, PART COMES IN TWO HALVES	2
3	GA4654790	MOUNTING SWAYBAR TO AXLE	2
4	GA4654800	CLAMP, LOWER, SWAY BAR, CROP CRUISER	2
5	GA4654805	CLAMP, UPPER, SWAY BAR, CROP CRUISER	2
6	GA5016195	BUSH, SWAY BAR PIVOT, PROTHANE 90A DURO	8
7	GA5001043	WASHER 16MM FLAT SS HD	8
8	GA5011307	BOLT M16 X 80 GR8.8 ZP	4
9	GA5001029	M16 NYLOC NUT	4
10	GA5065455	BOLT M10 X 30 GR8.8 ZP	8
11	GA5000141	NUT M10 NYLOC ZP	8

Ride Height Valve - Front



ITEM NO.	PART NUMBER	DESCRIPTION	QTY.
1	GA5011499	NUT M8 ZP	3
2	GA5003643	WASHER 8MM FLAT SS HD	6
3	GA5014651	TEE, RUBBER, SUIT RIDE HEIGHT LEVELLING VALVE RODS	2
4	GA5004865	HOSE CLAMP, 3/8", SS (8-16/9W)	2
5	GA3500218	HYDRAULIC ADAPTOR, NIPPLE, 1/4" BSPT MALE X 1/4" BSPT MALE	2
6	GA5010868	RIDE HEIGHT VALVE, 1/4" CONNECTING RODS	1
7	GA4509340	PLATE, BRACKET, RIDE HEIGHT VALVE, FRONT, AXLE MOUNTED	1
8	GA5052590	NUT M8 NYLOC SS	2
9	GA5000117	WASHER 10MM FLAT SS HD	2
10	GA5011489	BOLT M8 X 60 GR8.8 ZP	2
11	GA3500258	HYDRAULIC COUPLING, ELBOW, 90 DEGREE, 1/4" BSPT MALE X 1/4" BSPT MALE	1
12	GA5006161	BOLT M10 X 25 GR8.8 ZP	2

Ride Height Valve - Rear



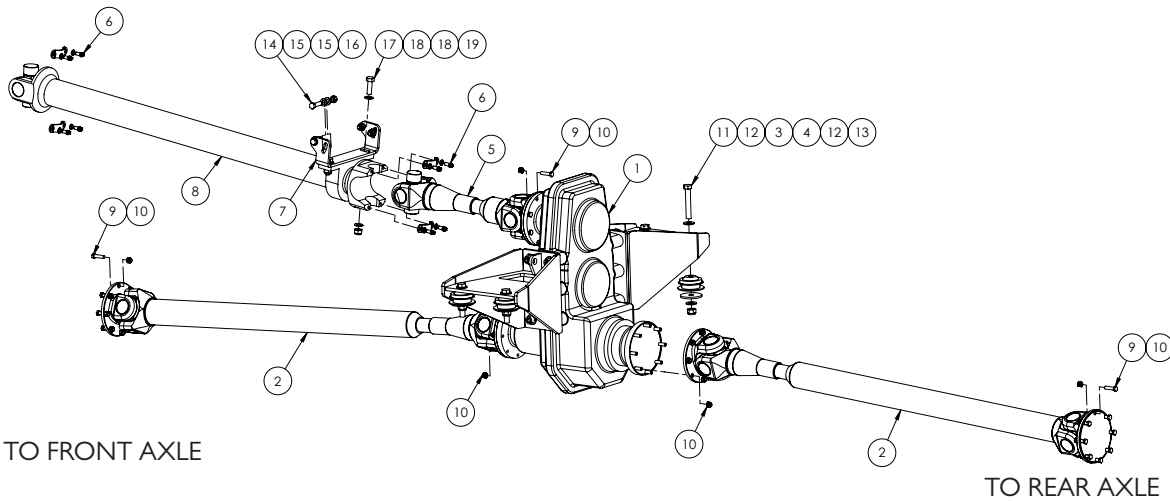
LEFT SIDE SHOWN

Quantities shown are per side.

ITEM NO.	PART NUMBER	DESCRIPTION	QTY.
1	GA5010868	RIDE HEIGHT VALVE, 1/4" CONNECTING RODS	1
2	GA5014651	TEE, RUBBER, SUIT RIDE HEIGHT LEVELLING VALVE RODS	2
3	GA5011499	NUT M8 ZP	3
4	GA5003643	WASHER 8MM FLAT SS HD	5
5	GA3500258	HYDRAULIC COUPLING, ELBOW, 90 DEGREE, 1/4" BSPT MALE X 1/4" BSPT MALE	2
6	GA5004865	HOSE CLAMP, 3/8",SS (8-16/9W)	2
7	GA5052710	BOLT M8 X 65 GR 8.8 ZP	2
8	GA5052590	NUT M8 NYLOC SS	2

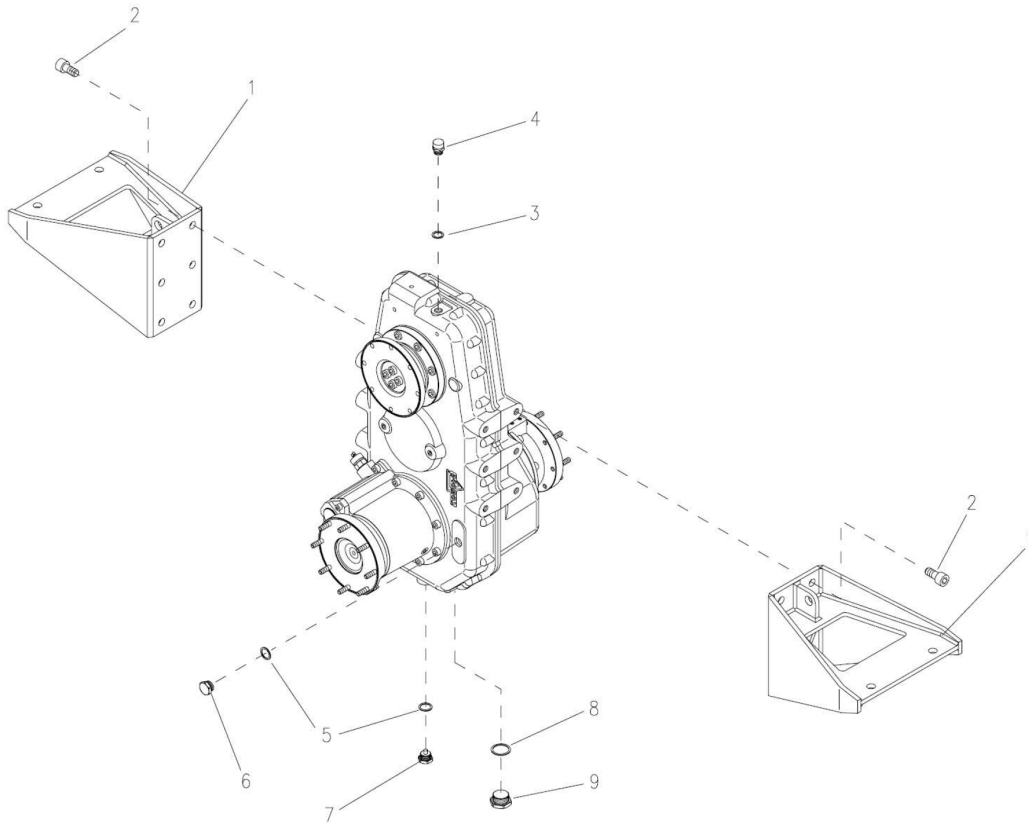
Drive Shafts & Transfer Case

FROM TRANSMISSION



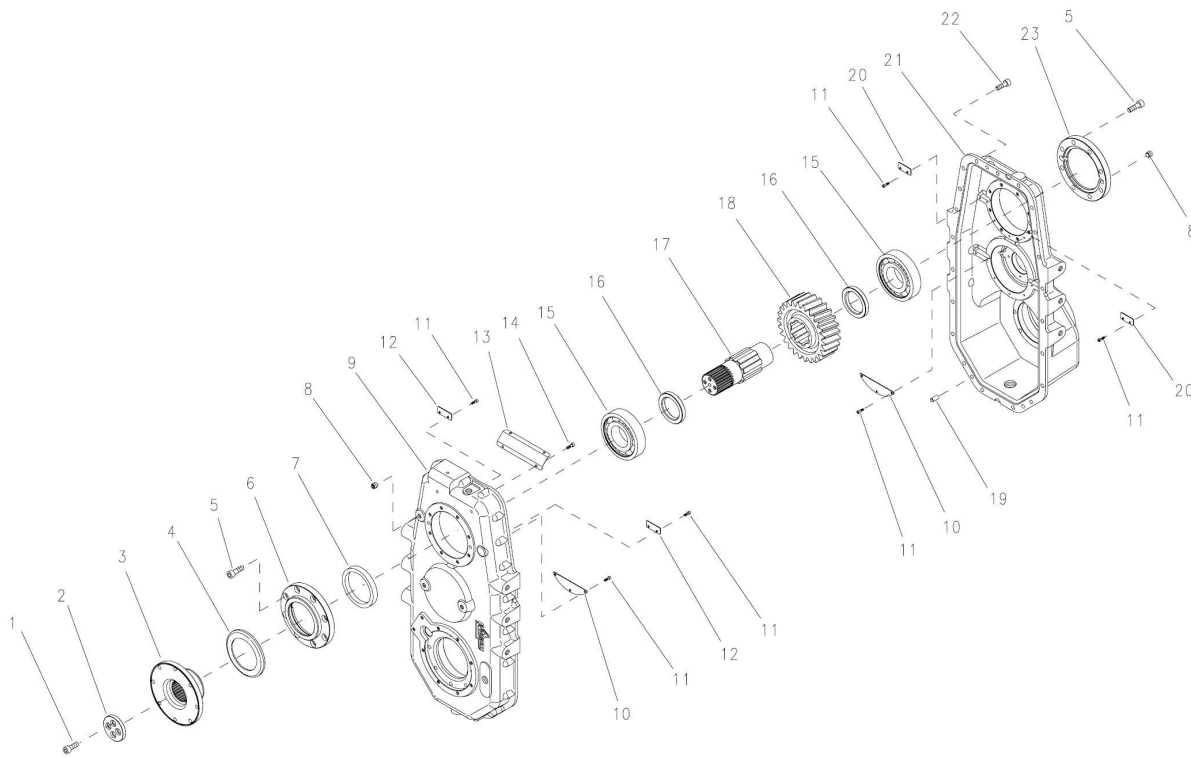
ITEM NO.	PART NUMBER	DESCRIPTION	QTY.
-	GA2700235	UNIVERSAL JOINT CROSS, STANDARD JOINT, 1610 SERIES, 5-279X	7
1	GA2700013	TRANSFER CASE. DIFFERENTIAL WITH LOCK, 1.42308:1 RATIO, DROMOS	1
2	GA2700040	DRIVE SHAFT, TRANSFER CASE TO AXLE, G8	2
3	GA5070020	VIBRATION ISOLATOR - 80MM	4
4	GA4502820	WASHER, 70MM OD X 16.5MM ID X 5MM THICK	4
5	GA2700041	DRIVE SHAFT, TRANSFER CASE TO CENTRE BEARING SHAFT, G8	1
6	5-70-28X	DRIVESHAFT RETAINER KIT	2
7	GA4504345	PLATE, CENTRE BEARING MOUNT, SWB G8	1
8	GA2700030	DRIVE SHAFT, TRANSMISSION TO CENTRE BEARING, G8	1
	GA2700141	CENTRE BEARING ASSEMBLY, 45MM, G8, 210084-2X	1
9	GA0500032	BOLT 3/8" X 1 1/2" UNF, ZP, GR8	24
10	GA0500026	NUT 3/8", NYLOC, ZP, UNF	40
11	GA5011269	SET SCREW M16 X 100 GR8.8 ZP	4
12	GA5001043	WASHER 16MM FLAT SS HD	8
13	GA5001029	NUT M16 NYLOC ZP	4
14	GA5000319	SET SCREW M12 X 40 GR8.8 ZP	4
15	GA5000577	WASHER 12MM FLAT SS HD	8
16	GA5012461	NUT M12 NYLOC ZP	4
17	GA5000343	BOLT M14 X 45 GR8.8 ZP	2
18	GA5050325	WASHER 14MM FLAT SS	4
19	GA5012427	NUT M14 NYLOC ZP	2

Transfer Case - Mounting Bracket, Fill & Drain Plugs



ITEM NO.	PART NUMBER	DESCRIPTION	QTY.
1	GA4661040	BRACKET, TRANSFER CASE, SUPER CRUISER, 2015	2
2	GA5000935	SHCS M16 X 50 GR12.9 ZP	12
	GA5001043	WASHER 16mm FLAT SS HD	12
3	GA5073430	WASHER, COPPER GASKET, 18 X 24 X 1.5 mm, DROMOS	1
4	GA5026140	PLUG, BREATHER, DROMOS	1
5	GA5073435	WASHER, COPPER GASKET, 22 X 28 X 1.5 mm, DROMOS	2
6	GA5078486	FILL PLUG, M22 X 1.5, DROMOS	1
7	GA5073445	PLUG, DRAIN, MAGNETIC, M22 X 1.5, DROP LEG, REAR, DROMOS	1
8	GA5073090	GASKET, LARGE OIL DRAIN PLUG, TRANSFER CASE, G8, DROMOS	1
9	GA5073075	PLUG, DRAIN, TRANSFER CASE, DROMOS	1

Transfer Case - Upper Drive Assembly



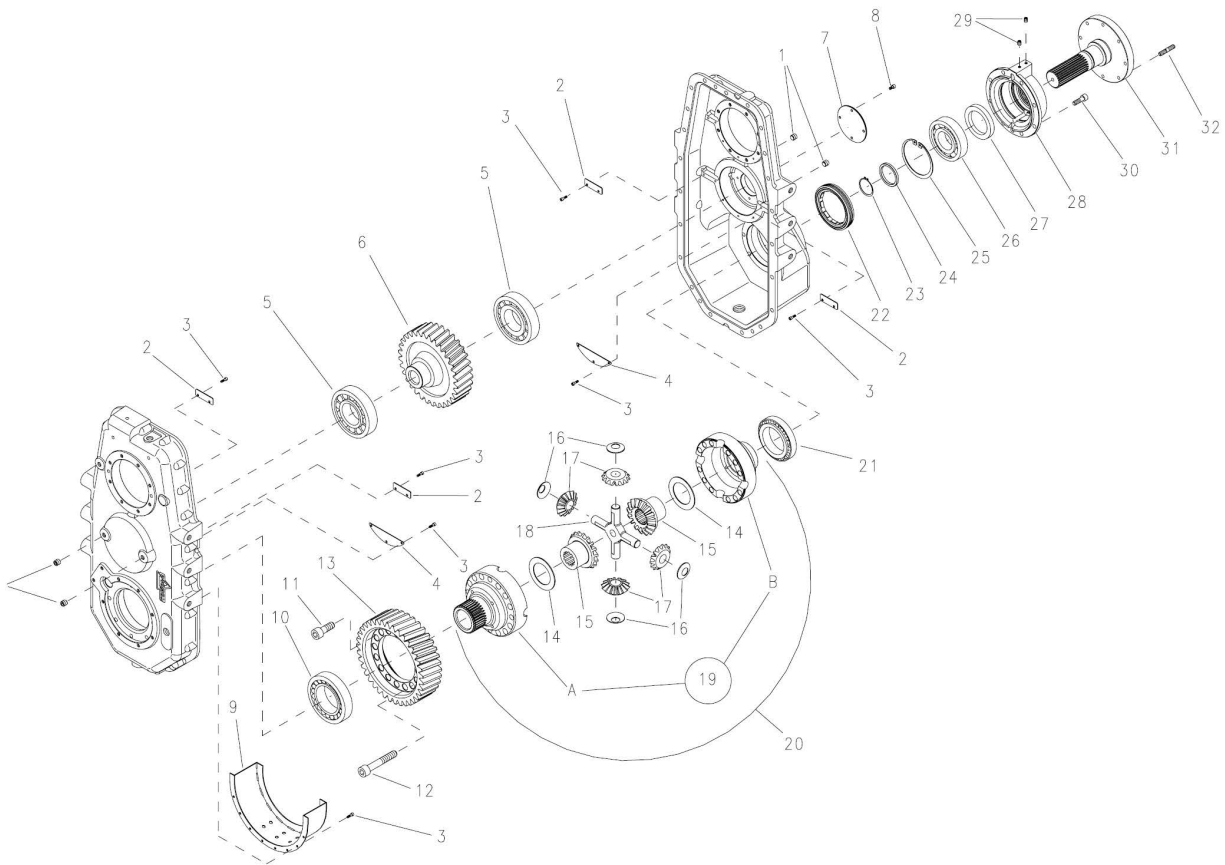
ITEM NO.	PART NUMBER	DESCRIPTION	QTY.
1	GA5078846	HEXAGON SOCKET HEAD CAP SCREW M12X30 UNI 593 I 12.9 REF.: -, DROMOS	4
2	GA5073220	LOCK WASHER, INPUT SHAFT FLANGE,	1
3	GA5078847	TRANSMISSION FLANGE, SUIT, DROMOS, TRANSFER CASE	1
4	GA5073205	OIL SEAL PROTECTION, INPUT SHAFT, TRANSFER CASE, DROMOS	1
5	GA5000313	SHCS M12 X 35 GR12.9 ZP	16
6	GA5073135	RING SUPPORT COVER, INPUT SHAFT BEARING, TRANSFER CASE, DROMOS	1
7	GA5073030	SEAL, OIL, INPUT SHAFT, TRANSFER CASE, DROMOS	1
8	GA5073065	PLUG, GRUB SCREW, TRANSFER CASE, DROMOS	2
9	GA5026141	CASING, TRANSFER CASE, DROMOS, SUIT, GA2700013	1
10	GA5073110	OIL LEVEL PLATE, INPUT SHAFT BEARINGS, TRANSFER CASE, DROMOS	2
11	GA5026142	SHCS M5X14 UNO 593 I	14
12	GA5073115	OIL LEVEL PLATE, A, SMALL, TRANSFER CASE, G8, DROMOS	2
13	GA5026143	PROTECTOR, OIL SHAKE, TRANSFER CASE, DROMOS, SUIT, GA2700013	1
14	GA5026144	SHCS M6X10 UNI 593 I GR12.9	1

Continues Over Page

Transfer Case - Upper Drive Assembly

ITEM NO.	PART NUMBER	DESCRIPTION	QTY.
15	GA5073000	BEARING, INPUT SHAFT, TRANSFER CASE, G8, DROMOS	2
16	GA5073190	SPACER, INPUT SHAFT, TRANSFER CASE, G8, DROMOS	2
17	GA5073155	DRIVE INPUT SHAFT, TRANSFER CASE, G8, DROMOS	1
18	GA5073145	GEARWHEEL, INPUT SHAFT, TRANSFER CASE, G8, DROMOS	1
19	GA5026145	PARALLEL PIN A 10X20 UNI EN ISO 8734	3
20	GA5073120	OIL LEVEL PLATE, B, SMALL, TRANSFER CASE, G8, DROMOS	2
21	GA5026146	COVER, TRANSFER CASE, DROMOS, SUIT, GA2700013	1
22	GA5056265	CAP SCREW, SOCKET HEAD, HEXAGON, M10X30 UNI 5931 12.9, DROMOS	21
23	GA5073130	COVER, INPUT SHAFT BEARING, TRANSFER CASE, G8, DROMOS	1

Transfer Case - Lower Drive Assembly



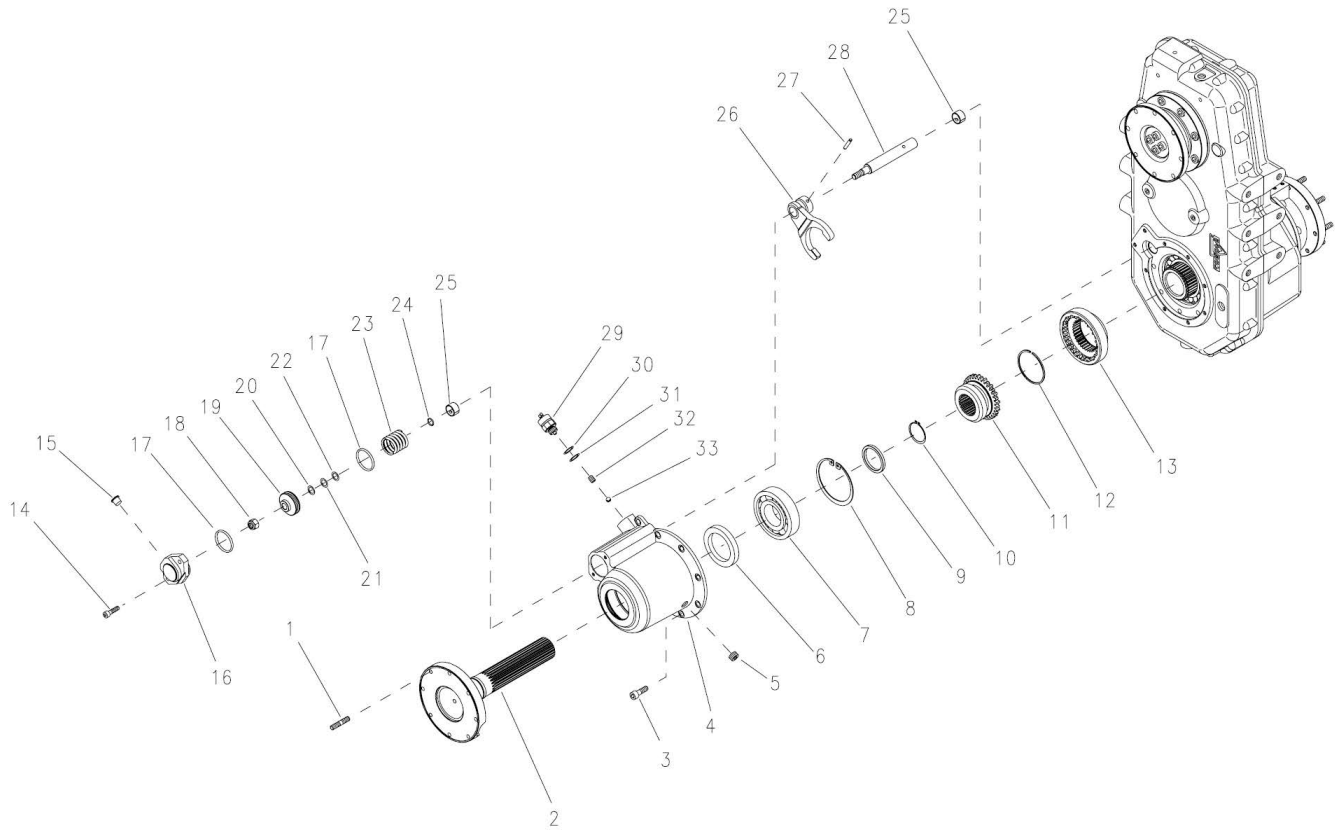
ITEM NO.	PART NUMBER	DESCRIPTION	QTY.
1	GA5073065	PLUG, GRUB SCREW, TRANSFER CASE, G8, DROMOS	4
2	GA5026147	PLATE, OIL LEVEL, TRANSFER CASE, DROMOS	4
3	GA5026148	SHCS M5X14 UNI 5931 GR12.9	22
4	GA5073110	OIL LEVEL PLATE, INPUT SHAFT BEARINGS, TRANSFER CASE, G8, DROMOS	2
5	GA5073005	BEARING, IDLER SHAFT, TRANSFER CASE, G8, DROMOS	2
6	GA5073150	SHAFT WITH GEARWHEEL, IDLER, TRANSFER CASE, G8, DROMOS	1
7	GA5026149	PLATE, COVER, SUIT, TRANSFER CASE, DROMOS	1
8	GA5026144	HEXAGON SOCKET HEAD CAP SCREW M6X10 UNI 5931 12.9	4
9	GA5026151	COVER, PROTECTOR, OIL SHAKE, DROMOS, TRANSFER CASE, SUIT, GA2700013	1
10	GA5073015	BEARING, DIFFERENTIAL, FRONT, TRANSFER CASE, G8, DROMOS	1
11	GA5078869	HEXAGON SOCKET HEAD CAP SCREW M11X45 GR12.9	4
12	GA0500017	SHCS M16 X 100 GR12.9 ZP	12
13	GA5078848	GEARWHEEL, SUIT, DROMOS, TRANSFER CASE	1

Continues Over Page

Transfer Case - Lower Drive Assembly

ITEM NO.	PART NUMBER	DESCRIPTION	QTY.
14	GA5079100	SUPPORT RING, CROWN WHEEL, DROMOS	2
15	GA5079086	BEVEL, PLANETARY GEAR, DROMOS	2
16	GA5079091	SUPPORT RING, PLANETARY, DIFFERENTIAL, DROMOS	4
17	GA5079101	PLANETARY GEAR, SUIT, DROMOS, DIFFERENTIAL	4
18	GA5079102	CROSS, SPIDER GEAR, SUIT, DROMOS, DIFFERENTIAL	1
19	GA5026152	DIFFERENTIAL UNIT	1
20	GA5073230	DIFFERENTIAL UNIT, TRANSFER CASE, G8, DROMOS	1
21	GA5073010	BEARING, DIFFERENTIAL, REAR, TRANSFER CASE, G8, DROMOS	1
22	GA5078489	RING NUT, DROMOS DIFF, G4 ADJUSTABLE AXLE	1
23	GA5026150	RETAINING RING, E 50, UNI 7435	1
24	GA5073195	SPACER, OUTPUT SHAFT, TRANSFER CASE, G8, DROMOS	1
25	GA5073050	CIRCLIP, RETAINING RING, OUTPUT SHAFT, TRANSFER CASE, G8, DROMOS	1
26	GA5072995	BEARING, REAR OUTPUT SHAFT, TRANSFER CASE, G8, DROMOS	1
27	GA5073035	SEAL, OIL, OUTPUT SHAFT, TRANSFER CASE, G8, DROMOS	1
28	GA5026153	COVER, BEARING ASSEMBLY, TRANSFER CASE, DROMOS, SUIT, GA2700013	1
29	GA5026154	SHCS, HEADLESS, M8X10 UNI 5923 45 H	2
30	GA5056265	CAP SCREW, SOCKET HEAD, HEXAGON, M10X30 UNI 5931 12.9, DROMOS	8
31	GA5073140	TRANSMISSION FLANGE, REAR OUTPUT SHAFT, TRANSFER CASE, G8, DROMOS	1
32	GA5073210	STUD BOLT, OUTPUT SHAFT FLANGES, 3/8" UNF, TRANSFER CASE, G8, DROMOS	8

Transfer Case - Engagement Assembly



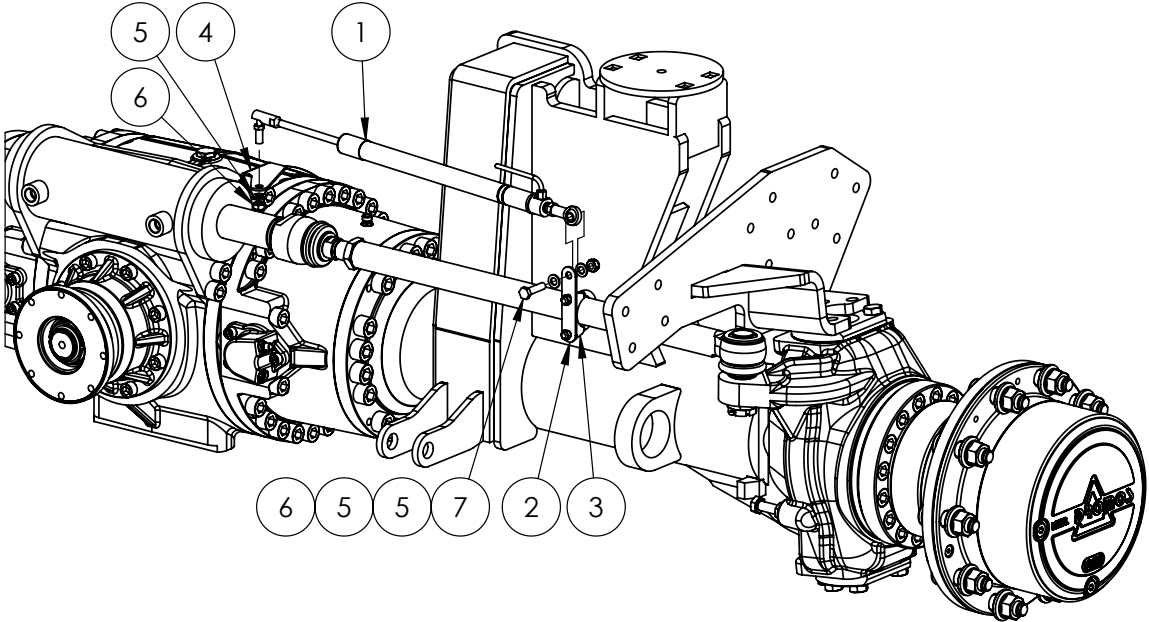
ITEM NO.	PART NUMBER	DESCRIPTION	QTY.
1	GA5073210	STUD BOLT, OUTPUT SHAFT FLANGES, 3/8" UNF, TRANSFER CASE, G8, DROMOS	8
2	GA5078849	TRANSMISSION FLANGE, SUIT, DROMOS, TRANSFER CASE	1
3	GA5056265	CAP SCREW, SOCKET HEAD, HEXAGON, M10X30 UNI 593 I 12.9, DROMOS	9
4	GA5026155	DISENGAGEMENT CASING, TRANSFER CASE, DROMOS, SUIT, GA2700013	1
5	GA5026156	PLUG, CONICAL, M18X1.5, DIN 906 5.8	1
6	GA5073035	SEAL, OIL, OUTPUT SHAFT, TRANSFER CASE, G8, DROMOS	1
7	GA5072995	BEARING, REAR OUTPUT SHAFT, TRANSFER CASE, G8, DROMOS	1
8	GA5073050	CIRCLIP, RETAINING RING, OUTPUT SHAFT, TRANSFER CASE, G8, DROMOS	1
9	GA5073195	SPACER, OUTPUT SHAFT, TRANSFER CASE, G8, DROMOS	1
10	GA5026150	RETAINING RING, E 50, UNI 7435	1
11	GA5026157	CLUTCH SLEEVE, DROMOS, SUIT, TRANSFER CASE, GA2700013	1
12	GA5026158	RING, SHOULDER, TORRINGTON, DROMOS, SUIT, TRANSFER CASE, GA2700013	1

Continues Over Page

Transfer Case - Engagement Assembly

ITEM NO.	PART NUMBER	DESCRIPTION	QTY.
13	GA5026159	CLUTCH RING, DROMOS, SUIT, TRANSFER CASE, GA2700013	1
14	GA5070765	SHCS M8 X 30 GR12.9 ZP	2
15	GA5026160	PLUG, DROMOS, SUIT, TRANSFER CASE	1
16	GA5026161	COVER, DISENGAGEMENT CASING, DROMOS, SUIT, TRANSFER CASE, GA2700013	1
17	GA5073040	O-RING, LARGE, DIFFERENTIAL LOCK, TRANSFER CASE, G8, DROMOS	2
18	GA5000141	NUT M10 NYLOC ZP	1
19	GA5073125	PISTON, DIFFERENTIAL LOCK, TRANSFER CASE, G8, DROMOS	1
20	GA5073180	SHIM, DIFFERENTIAL LOCK PISTON, B, TRANSFER CASE, G8, DROMOS	2
21	GA5073185	SHIM, DIFFERENTIAL LOCK PISTON, C, TRANSFER CASE, G8, DROMOS	4
22	GA5073165	SHIM, DIFFERENTIAL LOCK PISTON, A, TRANSFER CASE, G8, DROMOS	2
23	GA5073225	SPRING, DIFFERENTIAL LOCK PISTON, TRANSFER CASE, G8, DROMOS	1
24	GA5056405	O-RING 2-015 - 14,00X1,78, NBR 70, PARKER, SUIT, REAR AXLE, DROMOS	1
25	GA5073025	BUSHING, DIFFERENTIAL LOCK, TRANSFER CASE, G8, DROMOS	2
26	GA5073200	FORK, DIFFERENTIAL LOCK, TRANSFER CASE, G8, DROMOS	1
27	GA5073060	SPRING FORK, DIFFERENTIAL LOCK, TRANSFER CASE, G8, DROMOS	1
28	GA5073160	FORK ROD, DIFFERENTIAL LOCK, TRANSFER CASE, G8, DROMOS	1
29	GA5073100	SWITCH, DIFFERENTIAL LOCK SENSOR, TRANSFER CASE, G8, DROMOS	1
30	GA5073175	SHIM, DIFFERENTIAL LOCK SENSOR, B, TRANSFER CASE, G8, DROMOS	5
31	GA5073170	SHIM, DIFFERENTIAL LOCK SENSOR, A, TRANSFER CASE, G8, DROMOS	5
32	GA5073105	PIN, DIFFERENTIAL LOCK SENSOR, TRANSFER CASE, G8, DROMOS	1
33	GA5056425	BALL DIAM. 3/8", 9,525, G40 - AISI52100, TRIDELLA, DROMOS	1

Steering Angle Sensor - John Deere System

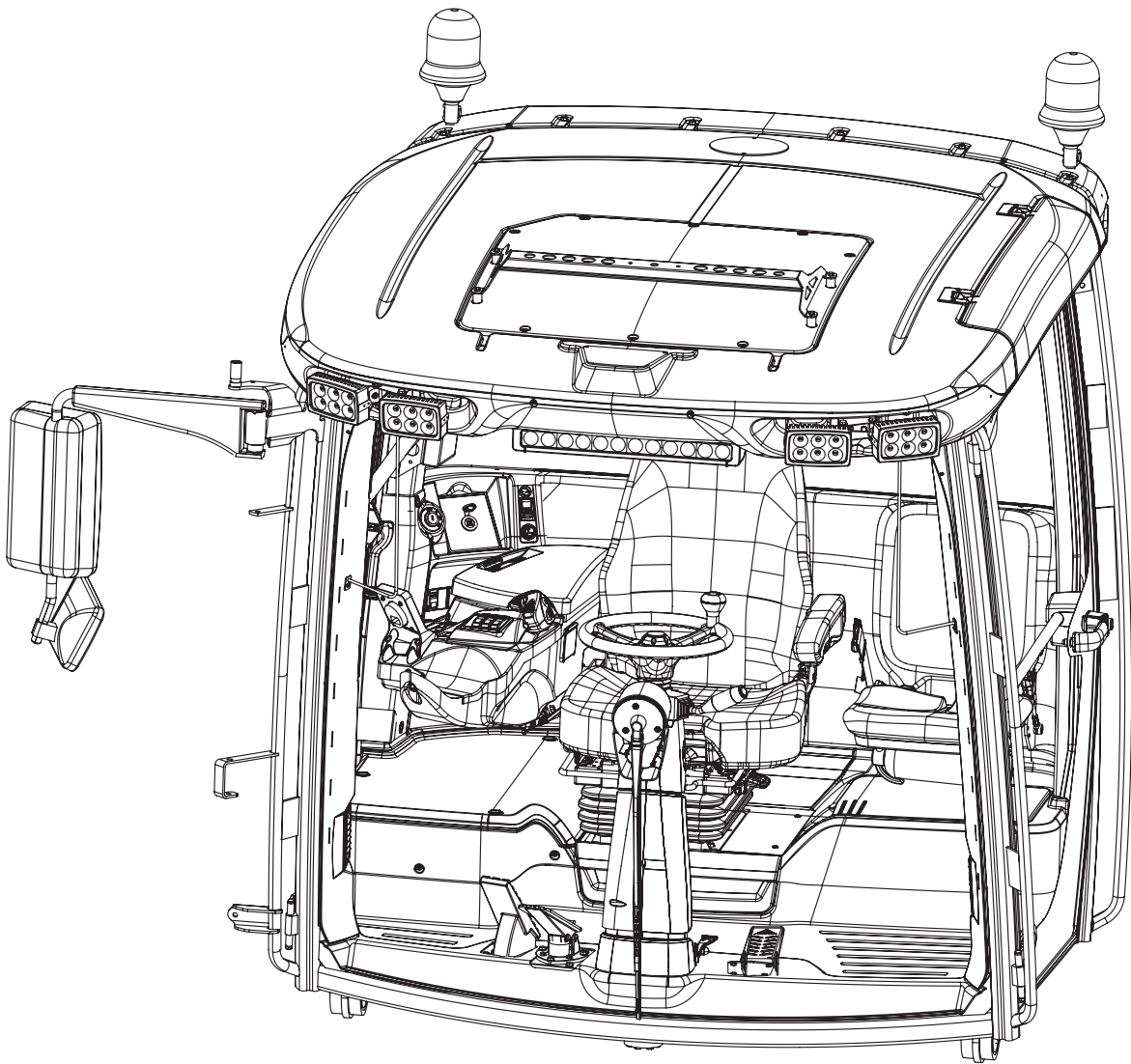


ITEM NO.	PART NUMBER	DESCRIPTION	QTY.
1	GA3000144	SENSOR, LINEAR, 250 MM NON-CONTACT, RAVEN JOHN DEERE	1
2	GA4501120	PLATE, LINEAR SENSOR MOUNT, STEERING ROD, JOHN DEERE STEERING, G8	1
3	GA5006701	EXHAUST CLAMP, C6 1 3/4"	1
4	GA4501115	PLATE, LINEAR SENSOR MOUNT, BASE, JOHN DEERE STEERING, G8	1
5	GA5000117	WASHER 10MM FLAT SS HD	3
6	GA5051445	NUT M10 NYLOC SS	2
7	GA5006055	BOLT M10 X 40 GR8.8 ZP	1

Chapter 22

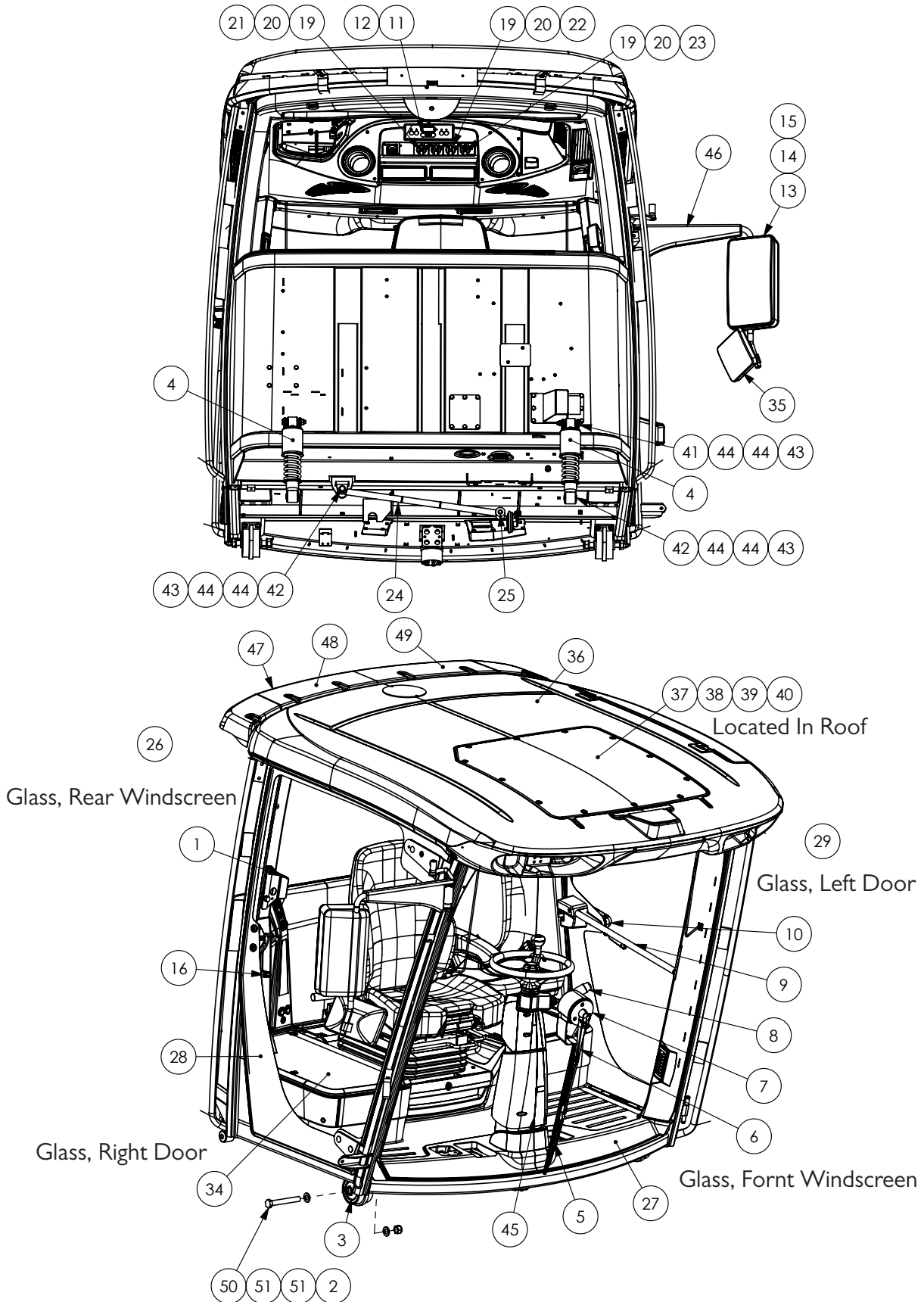
CABIN

Cabin - Claas



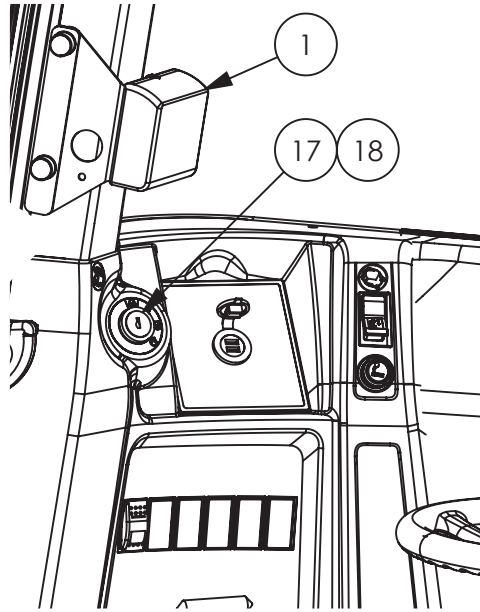
Continues Over Page

Cabin - Claas



Continues Over Page

Cabin - Claas



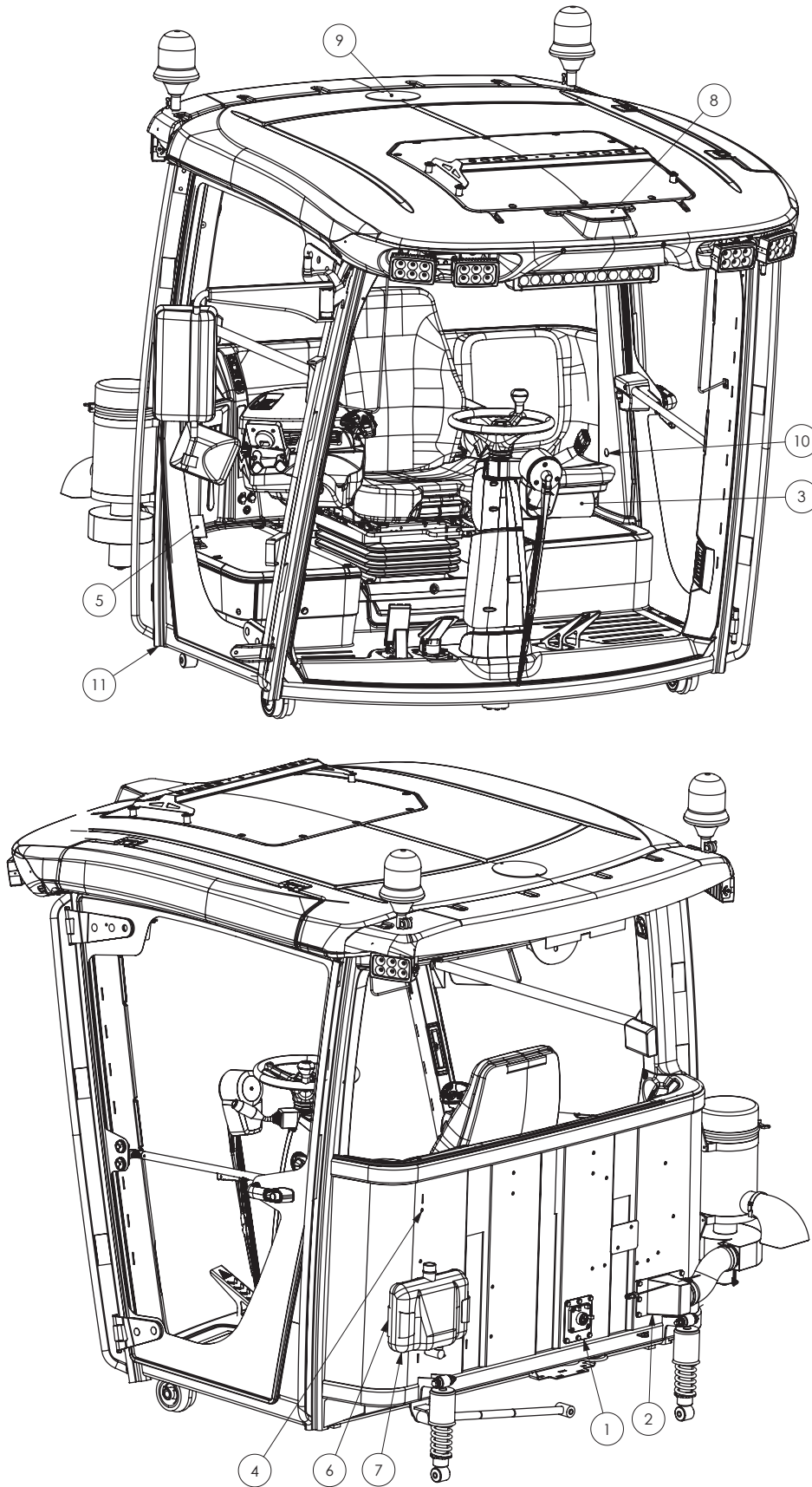
ITEM NO.	PART NUMBER	DESCRIPTION	QTY.
1	GA5054100	CUP HOLDER	1
2	GA5048125	NUT M20 NYLOC COARSE ZP	2
3	GA5054110	BUSHING	1
4	GA5054105	DAMPER, SHOCK ABSORBER	2
5	GA5054155	WIPER BLADE	1
6	GA5054150	WIPER ARM	1
7	GA5054145	WIPER MOTOR	1
8	GA5054195	INDICATOR STALK	1
9	GA5054665	DOOR LOCK	1
10	GA5054180	HANDLE EXTERIOR	1
11	GA5054285	CONTROL MODULE, A/C AND HEATER UNIT, AC MATIC, 12V, CLAAS CAB, 0558 817	1
	GA5054286	CONTROL MODULE, A/C AND HEATER UNIT, AC MATIC, 24V, CLAAS CAB, 0559 061	1
12	GA5054280	SENDER TEMPERATURE	3
13	GA5054125	SIDE MIRROR GLASS	1
14	GA5054130	COVER CAP MIRROR	1
15	GA5054120	SIDE MIRROR, COMPLETE ASSEMBLY	1
16	GA5054135	HANDLE INTERNAL RHS	1
17	GA5054635	LOCKING CYLINDER	1
18	GA5054206	MASTER KEY	1
19	GA5054250	ROTARY KNOB, FOR LIGHT	3
20	GA5054270	SWITCH INSERT, FOR LIGHTING KNOB	3
21	GA5054210	SWITCH LIGHT, LHS	1
22	GA5054215	SWITCH LIGHT, MIDDLE	1

Continues Over Page

Cabin - Claas

ITEM NO.	PART NUMBER	DESCRIPTION	QTY.
23	GA5054095	SWITCH LIGHT, RHS	1
24	GA4600290	PANHARD ROD, 870MM CENTRES, SUPER CRUISER, CLAAS CABIN	1
25	GA5054535	BEARING BUSH, FOR PANHARD ROD	2
26	GA5065481	GLASS, CLAAS CAB, REAR	1
	GA5065489	GLASS, FRONT WINDSCREEN, LAMINATED	1
27	GA5056550	GLASS, FRONT, WINDSCREEN, SUIT, X10 REV02, SERIES CABIN, CLAAS, 00 3021 136 0, FROM S/N 203897 ON	1
28	GA5065483	GLASS, SUIT CLAAS CAB, DOOR RIGHT	1
29	GA5065484	GLASS, SUIT CLAAS CAB, DOOR LEFT	1
30	GA5054470	SUNSHADE REAR	1
31	GA5065463	SIDE BLIND, LH	1
32	GA5065462	SIDE BLIND, RH	1
33	GA5065461	SEAL, SUIT CLAAS CAB DOOR	2
34	GA5070404	COVER PANEL FUSE BOX	1
35	GA5070330	MIRROR, CONVEX, LOWER, MANUAL ADJUST - NOT USED	1
36	GA5054530	CABIN ROOF	1
37	GA5054275	FAN BLOWER ASSEMBLY,	1
38	GA5054185	EVAPORATOR COIL	1
39	GA5054115	HEATER EXCHANGE / CORE	1
40	GA5054190	EXPANSION VALVE	1
41	GA5011263	BOLT M12 X 90 ZP GR8.8	2
42	GA5000259	BOLT M12 X 100 ZP GR8.8	4
43	GA5012461	NUT M12 NYLOC ZP	6
44	GA5000577	WASHER 12MM FLAT SS HD	24
45	GA5055540	GAS STRUT, STEERING COLUMN LOWER	1
46	GA5075270	MIRROR BRACKET, ADJUSTABLE	1
	GA5066805	ROOF PANEL, REAR ROOF, PLASTIC	1
47	GA5071950	ROOF SUPPORT PANEL, REAR ROOF, STEEL	1
48	GA5054255	ANTENNA AERIAL RADIO AM FM GME WITH BASE AND LEAD	1
49	GA5054265	AERIAL, UHF, AE409L GME (INCLUDES BASE & LEAD)	1
50	GA5001531	BOLT M20 X 150 GR8.8 ZP	2
51	GA5001741	WASHER 20MM FLAT SS HD	4

Cabin - Assembled



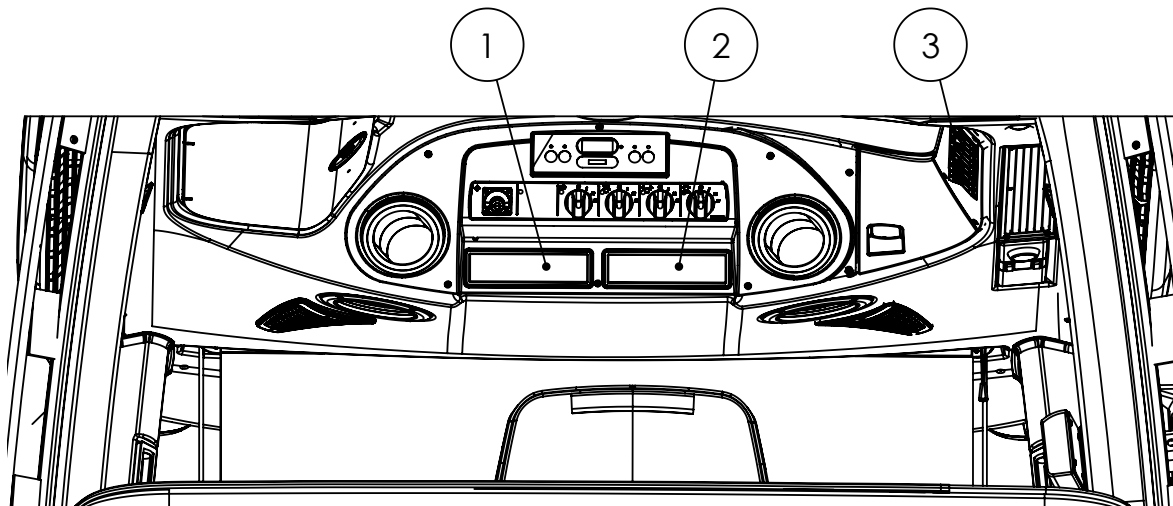
Continues Over Page

Cabin - Assembled

ITEM NO.	PART NUMBER	DESCRIPTION	QTY.
	GA4536285	COVER PLATE BACK OF SP CABIN SMALL	1
1	*	ISOBUS RAVEN PLUG	1
	*	ISOBUS JOHN DEERE PLUG	1
2	GA4658850	CARBON FILTER AIR INTAKE	1
3	GA5007099	EXTINGUISHER, FIRE B&E FLAMEGUARD 1KG ABE	1
4	GA5017909	XMAS TREE CLIP, BLACK, 16MM HEAD, 27MM LENGTH	17
5	GA4504390	COVER PLATE, ACCESS PORT, RIGHT SIDE DOOR JAM	1
6	GA4505035	MOUNTING BRACKET WASHER BOTTLE	1
7	GA5070785	WINDSCREEN WASHER BOTTLE 5.8L	1
	GA5012199	GROMMET, 29MM OD, NEOPRENE	1
8	GA4503820	PLATE RECEIVER MOUNT REAR CLAAS CABIN	1
9	GA4503815	PLATE RECEIVER MOUNT FRONT CLAAS CABIN	1
10	GA5054170	COVER CAP FOR SCREWS	1
11	GA5069905	FITTING BRASS 5/8" - 5/8" STRAIGHT HOSE BARB (HEATER HOSE JOINER)	2
-	GA4504105	PLATE, ROUND, ALUMINIUM, STEERING WHEEL CENTRE	1
-	GA5011465	BOLT M8 X 16 ZP GR8.8	16
-	GA5003643	WASHER 8MM FLAT SS HD	16

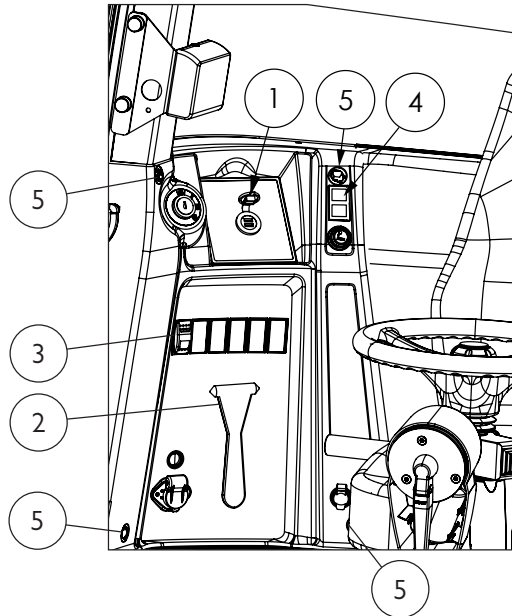
* Sub-assembly on following pages

Cabin - Overhead Components



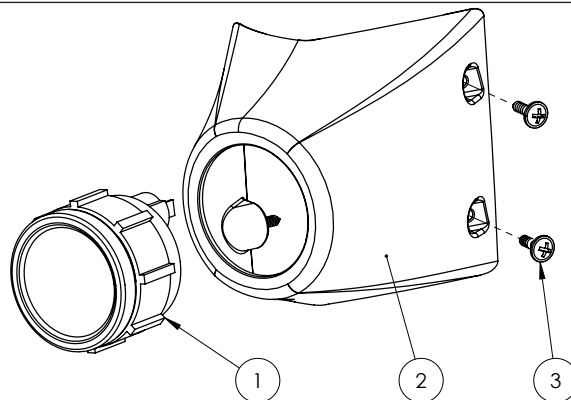
ITEM NO.	PART NUMBER	DESCRIPTION	QTY.
1	GA5017409	AUDIO HEAD UNIT, CD/MP3/WMA AM/FM RADIO, BLUETOOTH, IPOD CONTROL & REMOTE	1
2	GA5017131	UHF 477 MHZ CB RADIO, DIN SIZE	1
3	GA5069290	SWF SWITCH ON/OFF 12V	1
	GA5069277	SWF SWITCH INSERT, BEACON	1

Cabin - Right Corner Panel



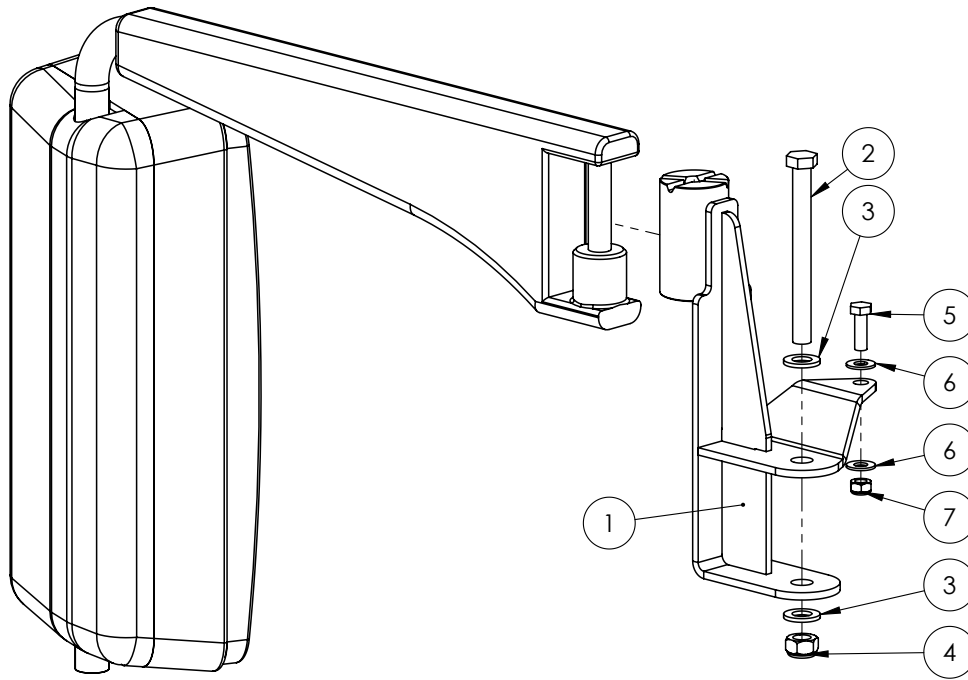
ITEM NO.	PART NUMBER	DESCRIPTION	QTY.
1	GA3000084	AUXILIARY POWER SOCKET, DUAL USB	1
2	GA5053425	EMERGENCY EXIT HAMMER	1
3	GA5069290	SWF SWITCH ON/OFF 12V	1
	GA5069276	SWF SWITCH INSERT, FAN	1
	GA5069295	SWF DUAL WARNING LAMP 12V	1
4	GA5069285	SWF SWITCH INSERT, PNEUMATIC SUSPENSION	1
	GA5069275	SWF SWITCH INSERT, PARK BRAKE	1
5	GA5054170	COVER CAP FOR SCREWS	4

Fuel Gauge



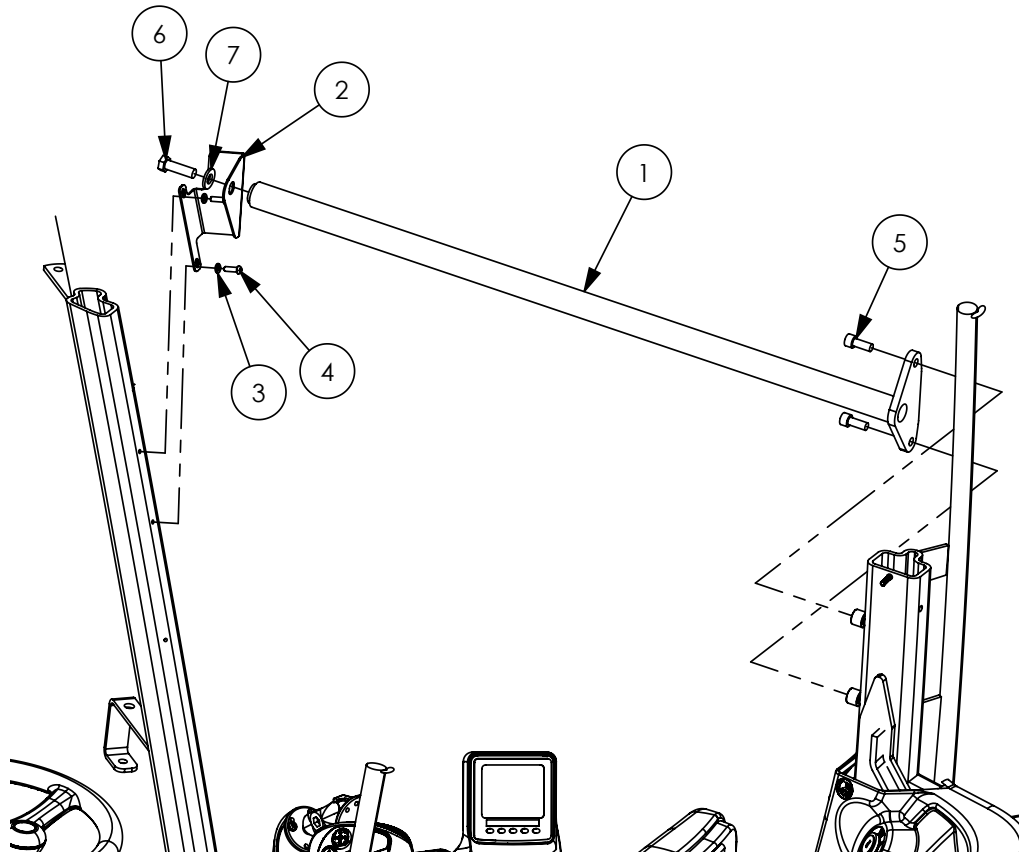
ITEM NO.	PART NUMBER	DESCRIPTION	QTY.
1	GA5069037	FUEL GAUGE, COBO	1
2	GA5072515	FUEL GAUGE MOUNT, SUIT CLAAS CABIN RH PILLAR	1
3	GA5054395	SCREW MUSHROOM HEAD 4.2 X 16MM BLACK SELF TAPPER	4

Mirror RHS Extension Bracket



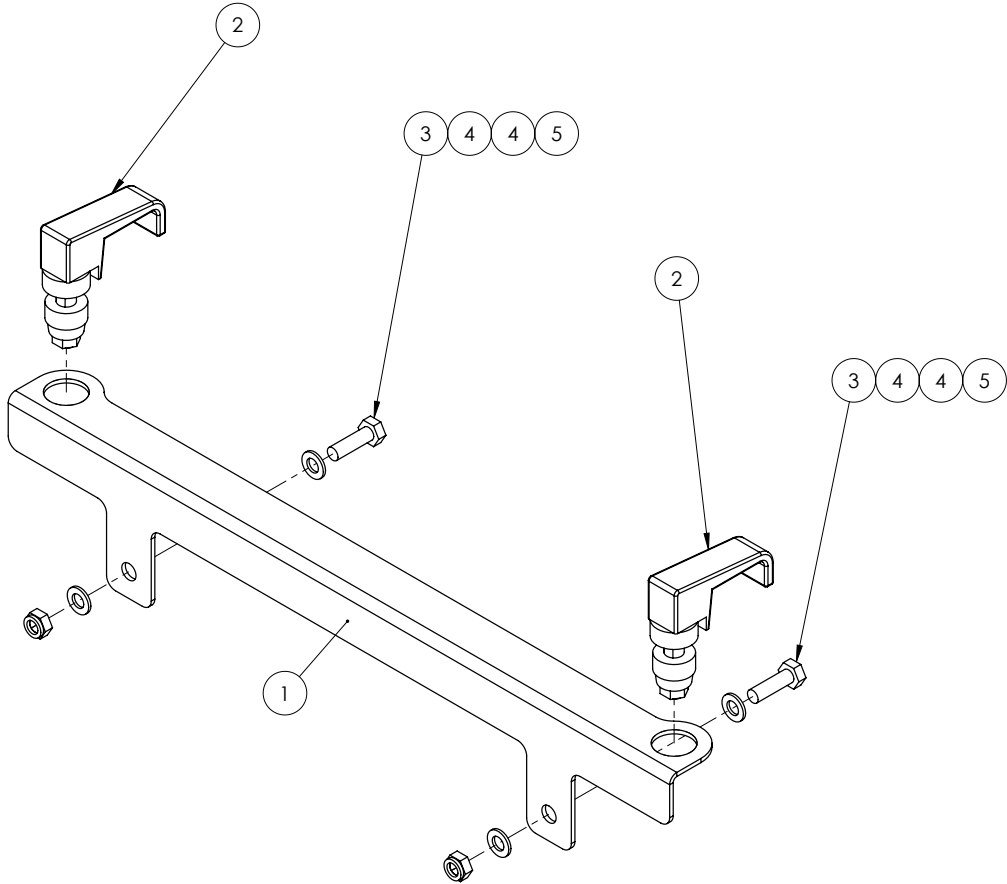
ITEM NO.	PART NUMBER	DESCRIPTION	QTY.
1	GA4602185	BRACKET, MIRROR EXTENSION SPACER, RH, CLAAS CABIN	1
2	GA5011201	BOLT M12 X 120 SS GR8.8	1
3	GA5000577	WASHER 12MM FLAT SS HD	2
4	GA5012461	NUT M12 NYLOC ZP	1
5	GA5004713	BOLT M8 X 25 SS A2-70	1
6	GA5003643	WASHER 8MM FLAT SS HD	2
7	GA5004917	NUT M8 NYLOC ZP	1

GPS Accessories Bar



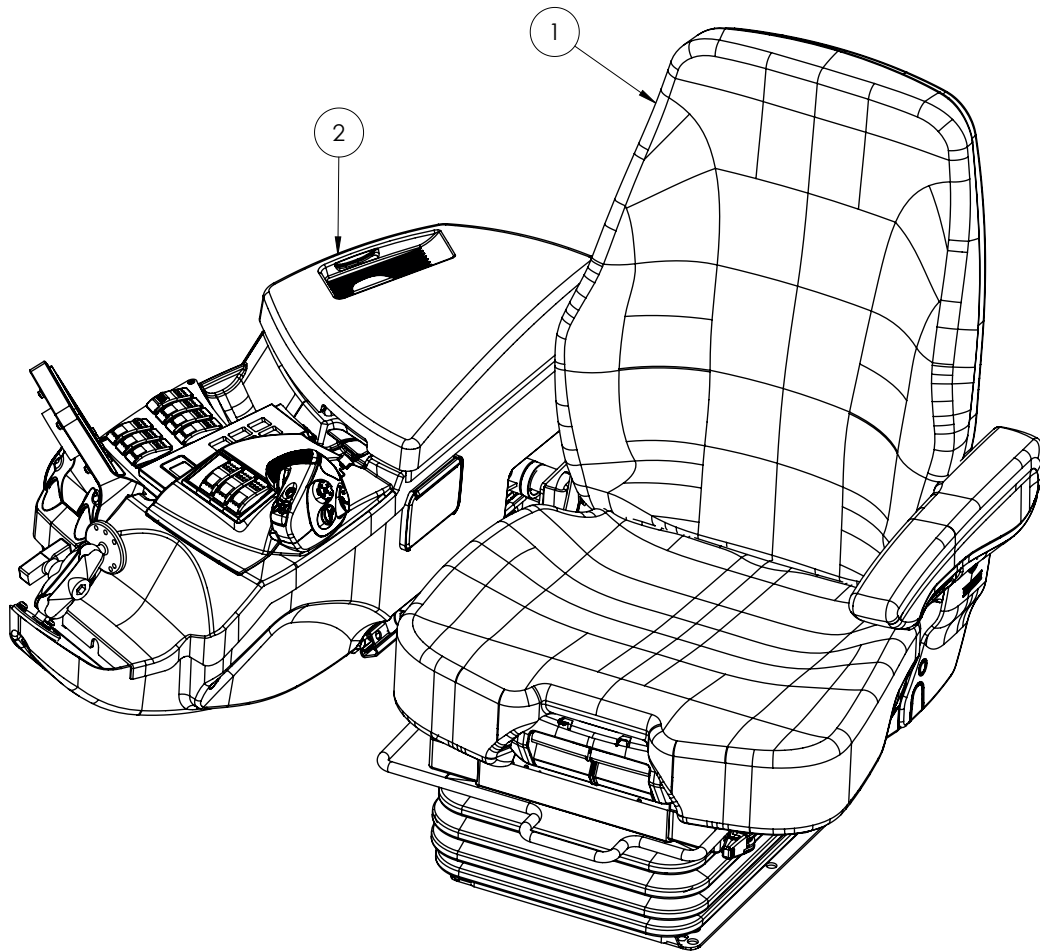
ITEM NO.	PART NUMBER	DESCRIPTION	QTY.
1	GA4660680	ACCESSORY RAIL BAR, STRAIGHT, CABIN, CROP CRUISER, 2015	1
2	GA4509450	PLATE, BENT, CONSOLE RAIL MOUNT FRONT, CLAAS CABIN	1
3	GA5004437	WASHER 6MM FLAT SS	2
4	GA5004053	BHCS M6 X 20 SS	2
5	GA5071085	SHCS M10 X 25 ZP GR12.9	2
6	GA5000319	SET SCREW M12 X 40 ZP GR8.8	1
7	GA5000577	WASHER 12MM FLAT SS HD	1

Fuse Box Cover Mount



ITEM NO.	PART NUMBER	DESCRIPTION	QTY.
1	GA4402220	PLATE, FUSE BOX LID MOUNT SUIT CLAAS CABIN	1
2	GA5066600	RAWL ACTION LATCH SUIT ADVANCE POD DOOR	2
3	GA5004065	BOLT M6 X 20 GR8.8 ZP	2
4	GA5004437	WASHER 6MM FLAT SS	4
5	GA5048115	NUT M6 NYLOC ZP	2

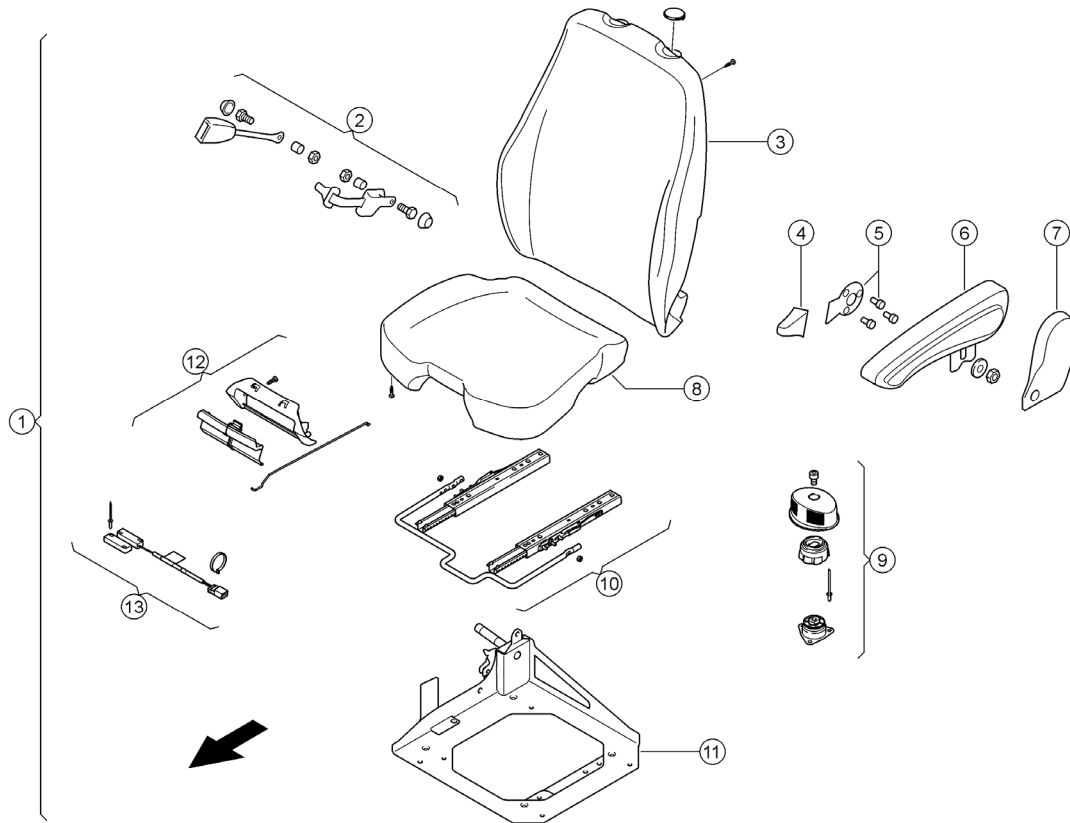
Seat & Console



ITEM NO.	PART NUMBER	DESCRIPTION	QTY.
-	GA5071930	SEAT COVER, DRIVER AND TRAINING SEAT, SUIT CLAAS SEAT, G5 G6 MY15	-
1	GA5070385	CLAAS CABIN SEAT ASSEMBLY WITH AIR SUSPENSION	1
2	*	CLAAS CONSOLE	1

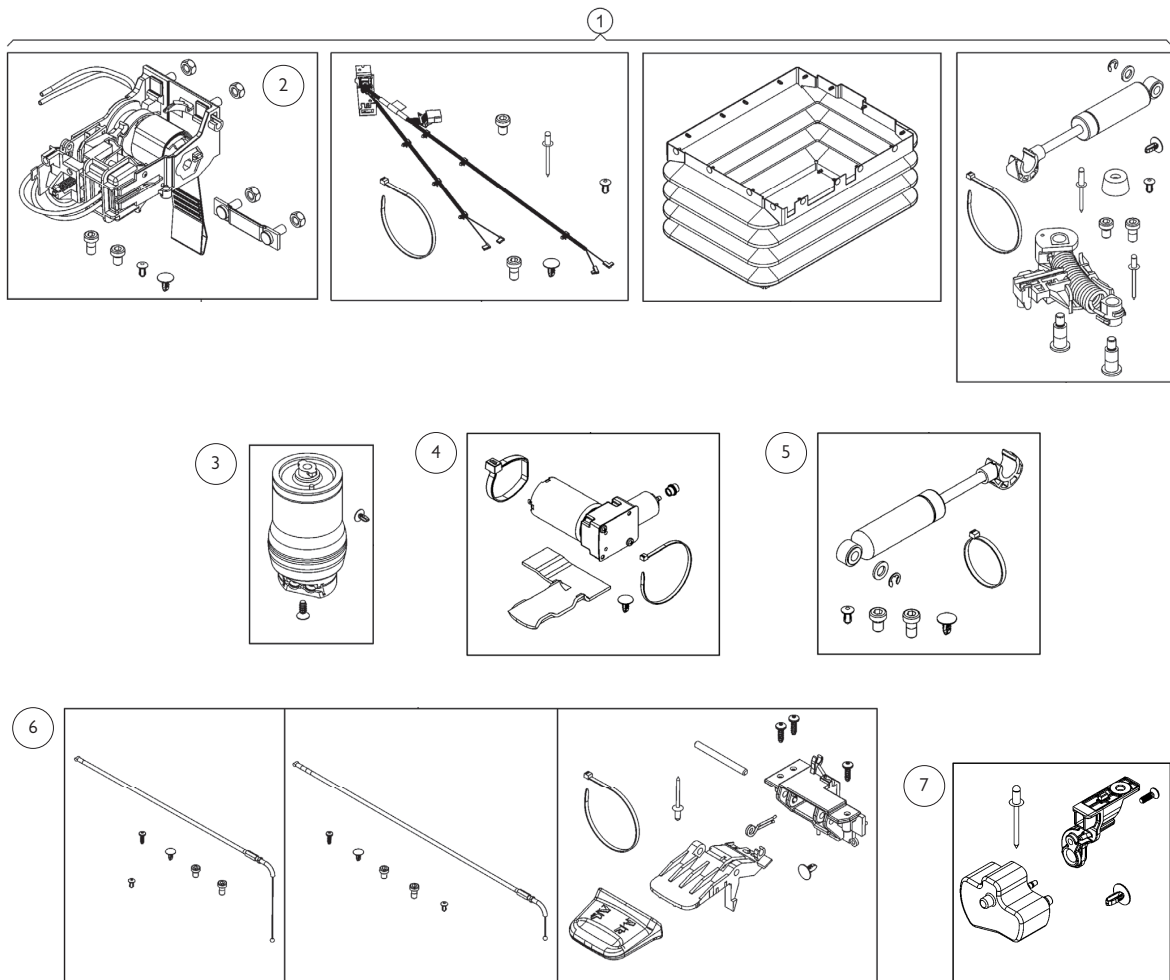
* Sub-assembly on following pages

Seat - Upper Section



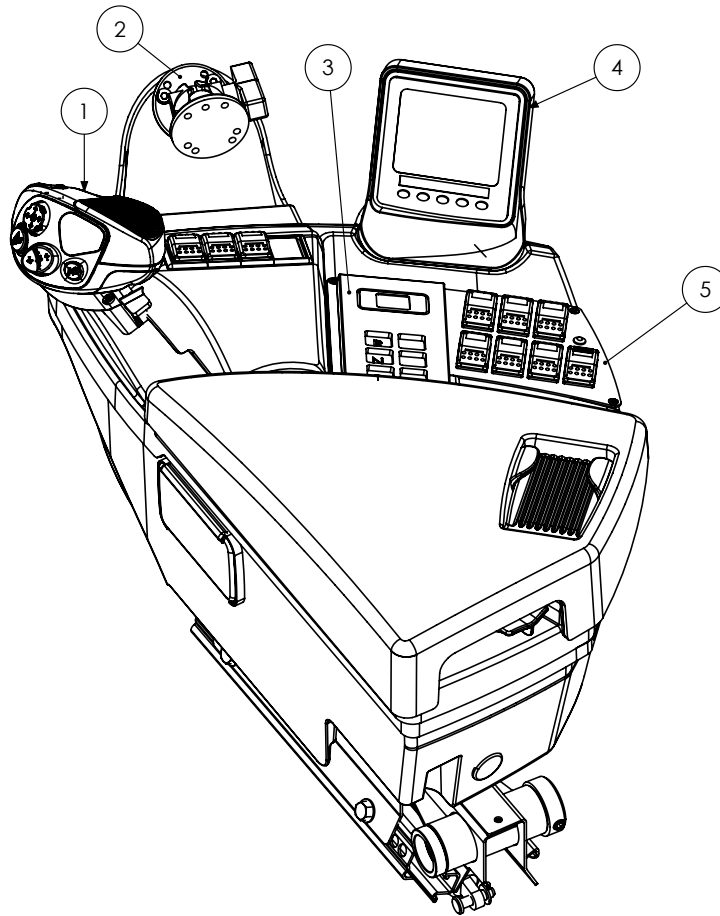
ITEM NO.	PART NUMBER	DESCRIPTION	QTY.
1	-	SEAT ASSEMBLY, NO SUSPENSION	-
2	GA5078556	SEAT BELT BUCKLE	1
3	-	SEAT BACK	1
4	-	SEAT BACK ADJUSTMENT HANDLE	1
5	-	SEAT BACK ADAPTER PLATE	1
6	-	ARM REST	1
7	-	ARM REST COVER	1
8	-	SEAT BASE	1
9	-	LEVER	1
10	-	SEAT RAIL SLIDERS	1
11	-	SEAT BASE ADAPTER	1
12	GA5078557	HANDLE, FRONT ADJUSTMENT	1
13	GA5078558	SEAT SWITCH	1

Seat - Lower Section



ITEM NO.	PART NUMBER	DESCRIPTION	QTY.
1	GA5078559	SUSPENSION KIT - INCLUDES ITEM 2	1
2	GA5078560	LEVEL CONTROL MECHANISM	1
3	GA5078561	AIR SPRING	1
4	GA5078562	AIR COMPRESSOR	1
5	GA5078563	SHOCK ABSORBER	1
6	GA5078564	SWIVEL HANDLE KIT	1
7	GA5078565	AIR OUTLET PANEL	1

Claas Console - Pre Serial Number 104692

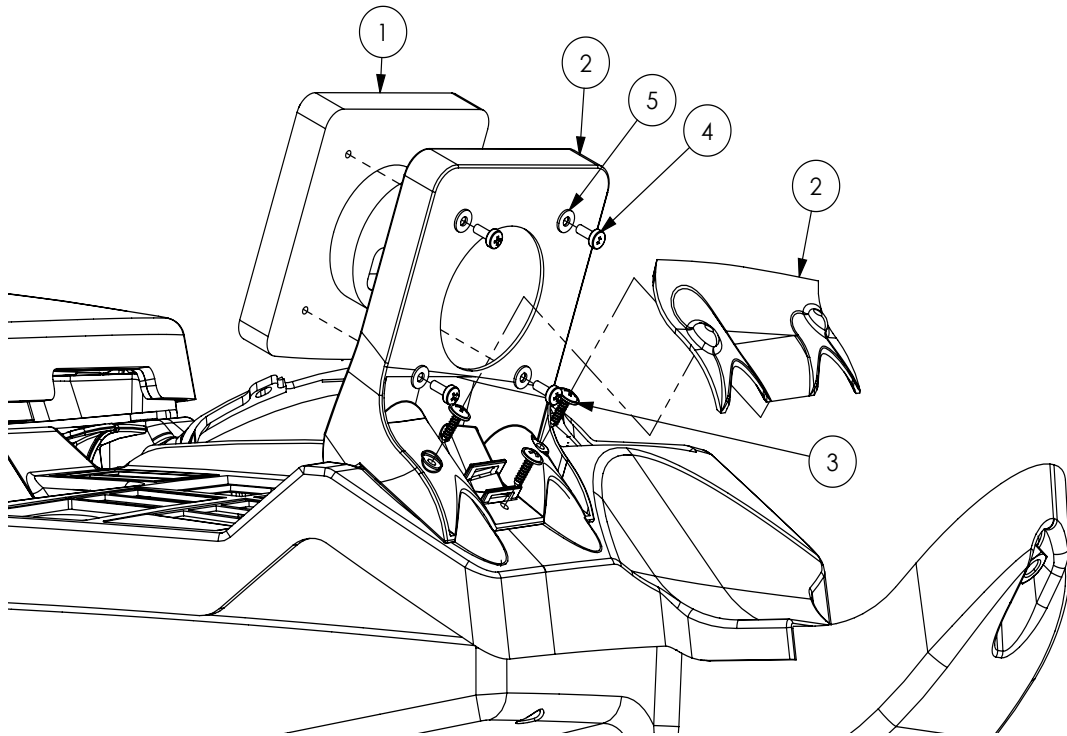


Pre: Serial Number - 104692

ITEM NO.	PART NUMBER	DESCRIPTION	QTY.
1	*	G MOTION JOYSTICK ASSEMBLY	
2	*	RAM MOUNT ASSEMBLY	
3	*	GEAR SELECTOR ASSEMBLY	
4	*	CANTRAK ASSEMBLY	
5	*	SWITCH PANEL ASSEMBLY	

* Sub-assembly on following pages

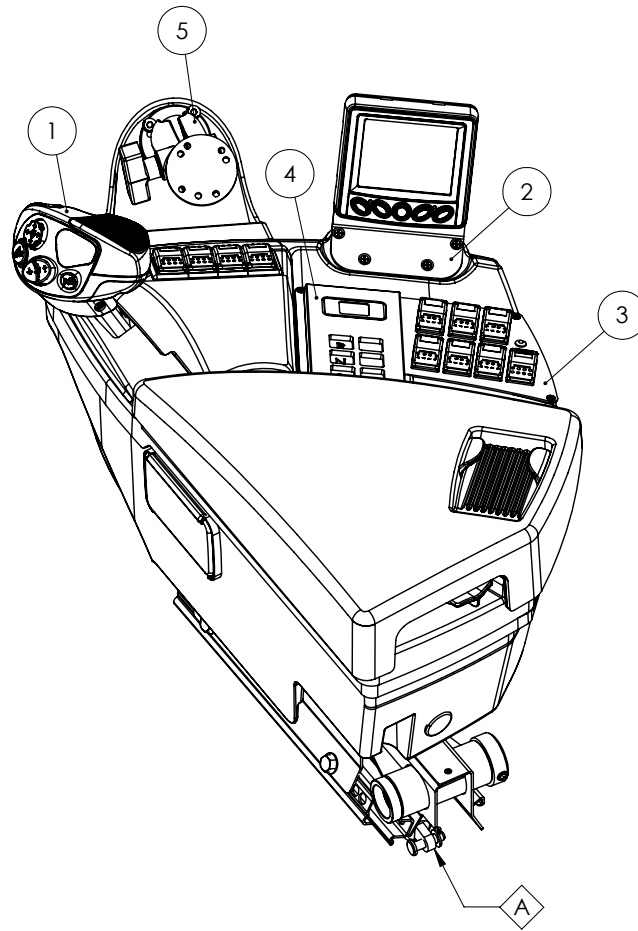
CANTRAK Assembly - Pre Serial Number - 104692



Pre: Serial Number - 104692

ITEM NO.	PART NUMBER	DESCRIPTION	QTY.
1	GA5066210	ENGINE MONITOR, CANTRAK, KANTRAK, 2700, IP 67, 3.8"	1
2	GA5072065	MONITOR MOUNT, CANTRAK, CLAAS CONSOLE	1
3	GA5054395	SCREW MUSHROOM HEAD 4.2 X 16MM BLACK SELF TAPPER	3
4	GA5011360	BOLT M4 X 10 PAN HEAD SS	4
5	GA5020510	WASHER 4MM FLAT SS	4

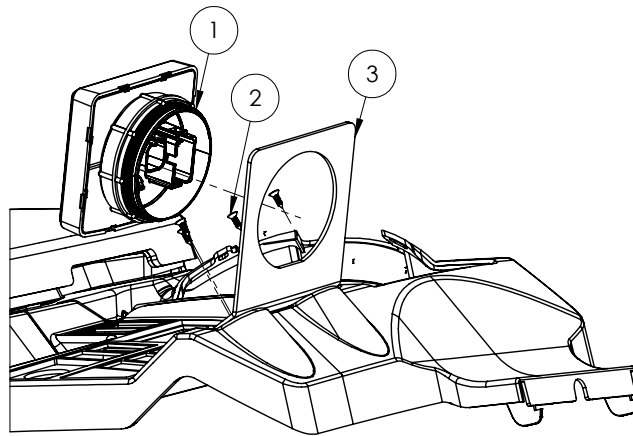
Claas Console - From Serial Number - 104692



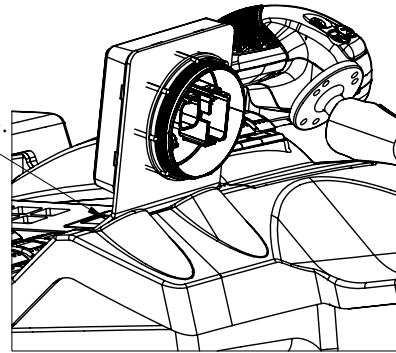
ITEM NO.	PART NUMBER	DESCRIPTION	QTY.
A	GA5025330	GAS STRUT, SIDE CONSOLE, CLAAS, 0565 733.0	1
1	*	G MOTION JOYSTICK ASSEMBLY	
2	GA4525205	MOUNTING BRACKET, SUIT PV380 ON G8	
3	*	GEAR SELECTOR ASSEMBLY	
4	*	CANTRAK ASSEMBLY	
5	*	SWITCH PANEL ASSEMBLY	

* Sub-assembly on following pages

CANTRAK Assembly - From Serial Number - 104692

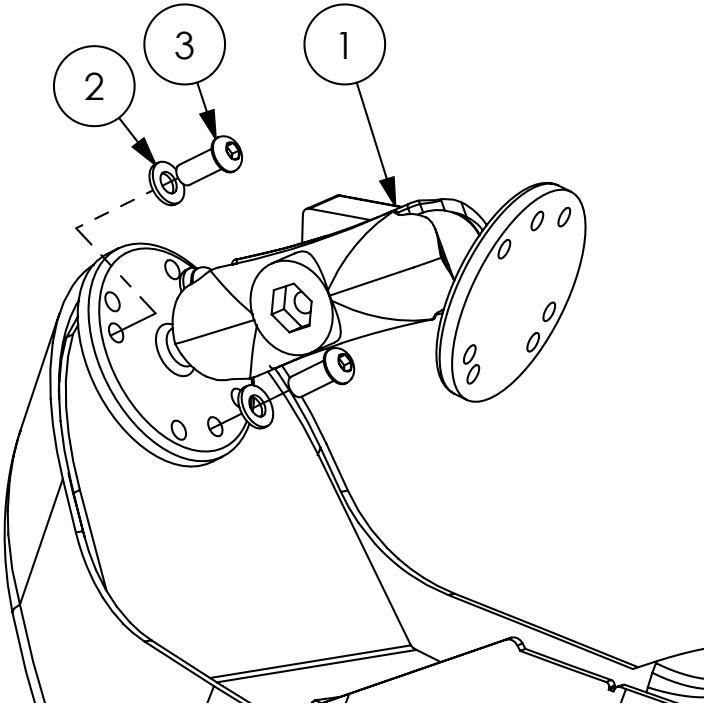


CENTRE MOUNTING PLATE BEFORE INSTALLING.
ALL SCREW HOLES SHOULD HOLD IN PLASTIC.



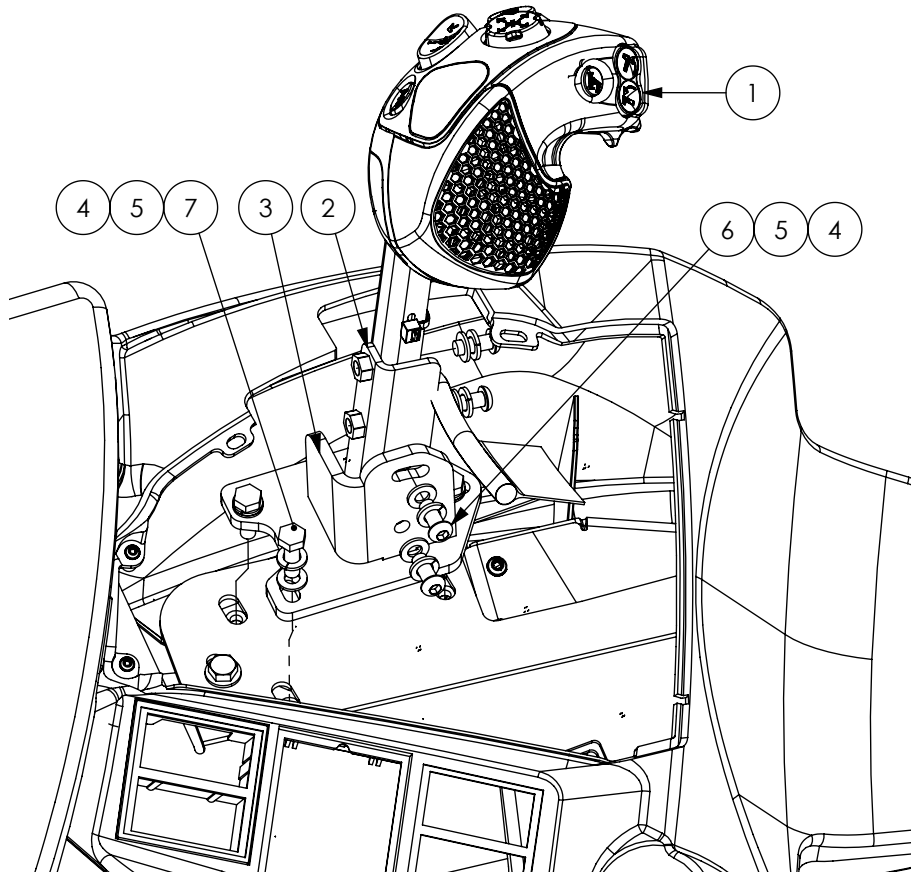
ITEM NO.	PART NUMBER	DESCRIPTION	QTY.
1	GA5066212	ENGINE MONITOR, PV101-R2, WITH ADAPTOR HARNESS, G8 MY21	1
2	GA0500019	SCREW, 8G X 1/2", SELF TAPPING, COUNTERSUNK PHILLIPS, BLACK	8
3	GA4525205	MOUNTING BRACKET, SUIT PV380 ON G8	1

Ram Mount Assembly



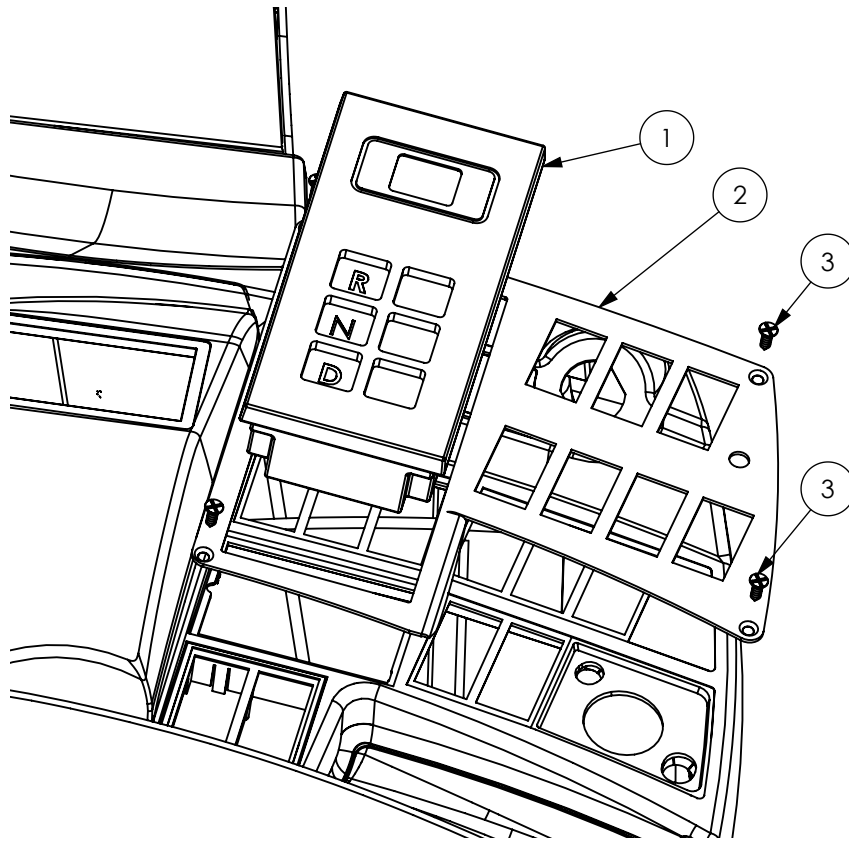
ITEM NO.	PART NUMBER	DESCRIPTION	QTY.
1	GA5020825	RAM MOUNT, UNIVERSAL, ADJUSTABLE KIT 101U	1
2	GA5004437	WASHER 6MM FLAT SS	3
3	GA5004050	BHCS M6 X 16 SS GR8.8	3

G Motion Joystick Assembly



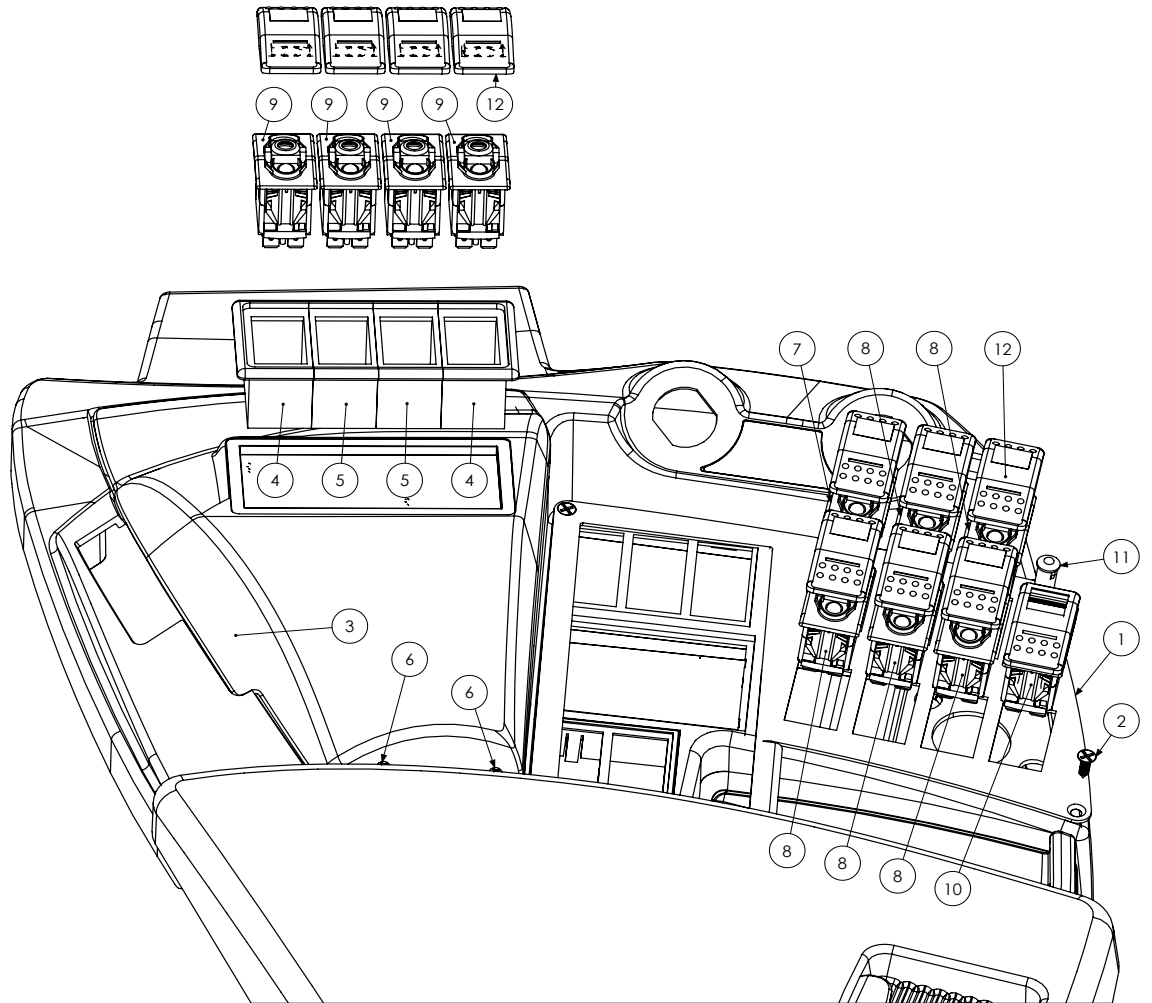
ITEM NO.	PART NUMBER	DESCRIPTION	QTY.
1	GA3000071	JOYSTICK, MULTI FUNCTION, ERGONOMIC, CLAAS	1
2	GA4660660	MOUNT BRACKET, ANGLE ADJUSTER, CLAAS JOYSTICK, CROP CRUISER, 2015	1
3	GA4660655	MOUNT BRACKET, BASE, CLAAS JOYSTICK, CROP CRUISER, 2015	1
4	GA5004437	WASHER 6MM FLAT SS	7
5	GA5004447	WASHER, 6MM, SPRING, SS	7
6	GA5004050	BHCS M6 X 16 SS GR8.8	4
7	GA5004065	BOLT M6 X 20 ZP GR8.8	3

Gear Selector Assembly



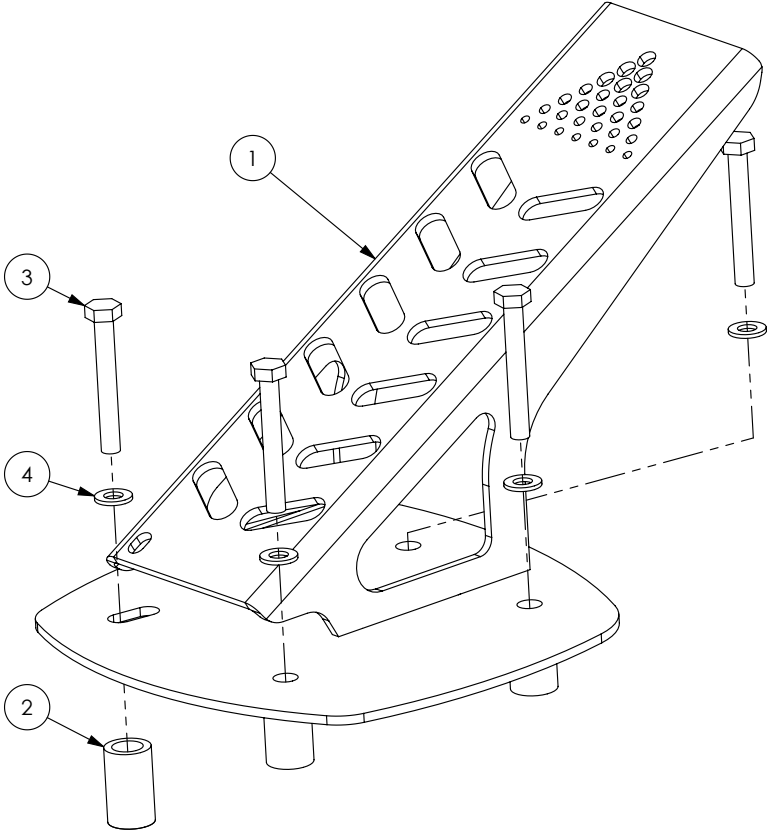
ITEM NO.	PART NUMBER	DESCRIPTION	QTY.
1	GA3000106	GEAR SELECTOR, ELECTRONIC PUSH BUTTON, SUIT 3000 SERIES, ALLISON	1
2	GA4504630	PLATE, GEAR SELECTOR SWITCH MOUNT, G5 G6 G8	1
3	GA0500019	SCREW, 8G X 1/2", SELF TAPPING, COUNTERSUNK PHILLIPS, BLACK	4

Switch Panel Assembly



ITEM NO.	PART NUMBER	DESCRIPTION	QTY.
1	GA4504630	PLATE, GEAR SELECTOR SWITCH MOUNT, G5 G6 G8, MY15	1
2	GA0500019	SCREW, 8G X 1/2", SELF TAPPING, COUNTERSUNK PHILLIPS, BLACK	4
3	GA5072140	SWITCH PANEL, SIDE CONSOLE, G5 G6 G8, CLAAS CONSOLE	1
4	GA5006397	SWITCH HOUSING END	2
5	GA5006387	SWITCH HOUSING CENTRE	2
6	GA0500023	SCREW, 4G X 1/2", SELF TAPPING, PHILLIPS HEAD, SS	2
7	GA3000363	SWITCH BODY, ON/OFF/ON, 2P2T, BLUE LED, NO ACTUATOR, CARLING	1
8	GA3000344	SWITCH BODY, ON/ON, 2P2T, BLUE LED, NO ACTUATOR, CARLING	5
9	GA3000364	SWITCH BODY, MOM/OFF/MOM, 2P2T, BLUE LED, NO ACTUATOR, CARLING	4
10	GA5071508	SWITCH, ROCKER, ON / ON DPDT, LOCKING, ORANGE LED 12V	1
11	GA3000074	LIGHT, LED PILOT LAMP, RED, NARVA	1
12	GA3000401	SWITCH ACTUATOR, BLACK, WHITE SQUARE LENS, SUIT CARLING SWITCH BODY	10

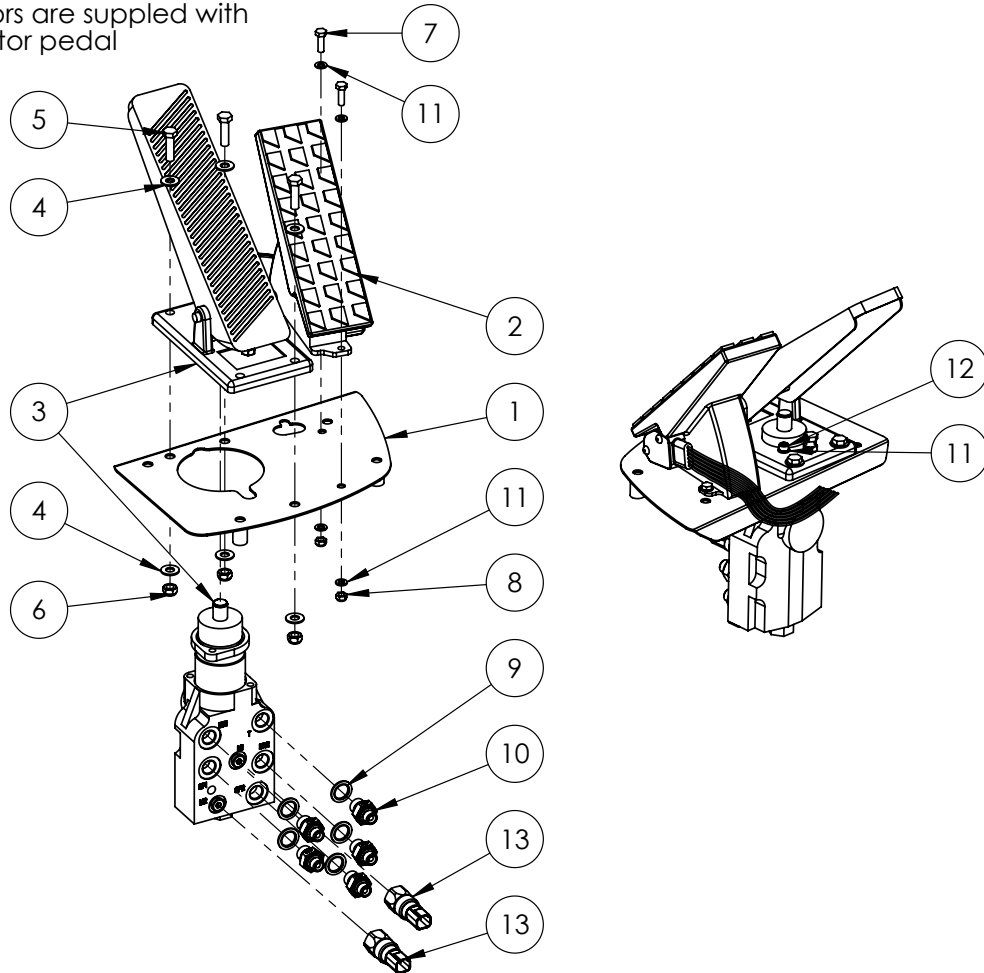
Left Foot Rest



ITEM NO.	PART NUMBER	DESCRIPTION	QTY.
1	GA4658680	CABIN LEFT FOOT REST	1
2	GA4583150	CRUSH TUBE, 15 OD X 10 ID X 25MM LONG	1
3	GA5011449	BOLT M6 X 45 ZP GR8.8	3
4	GA5004437	WASHER 6MM FLAT SS	3

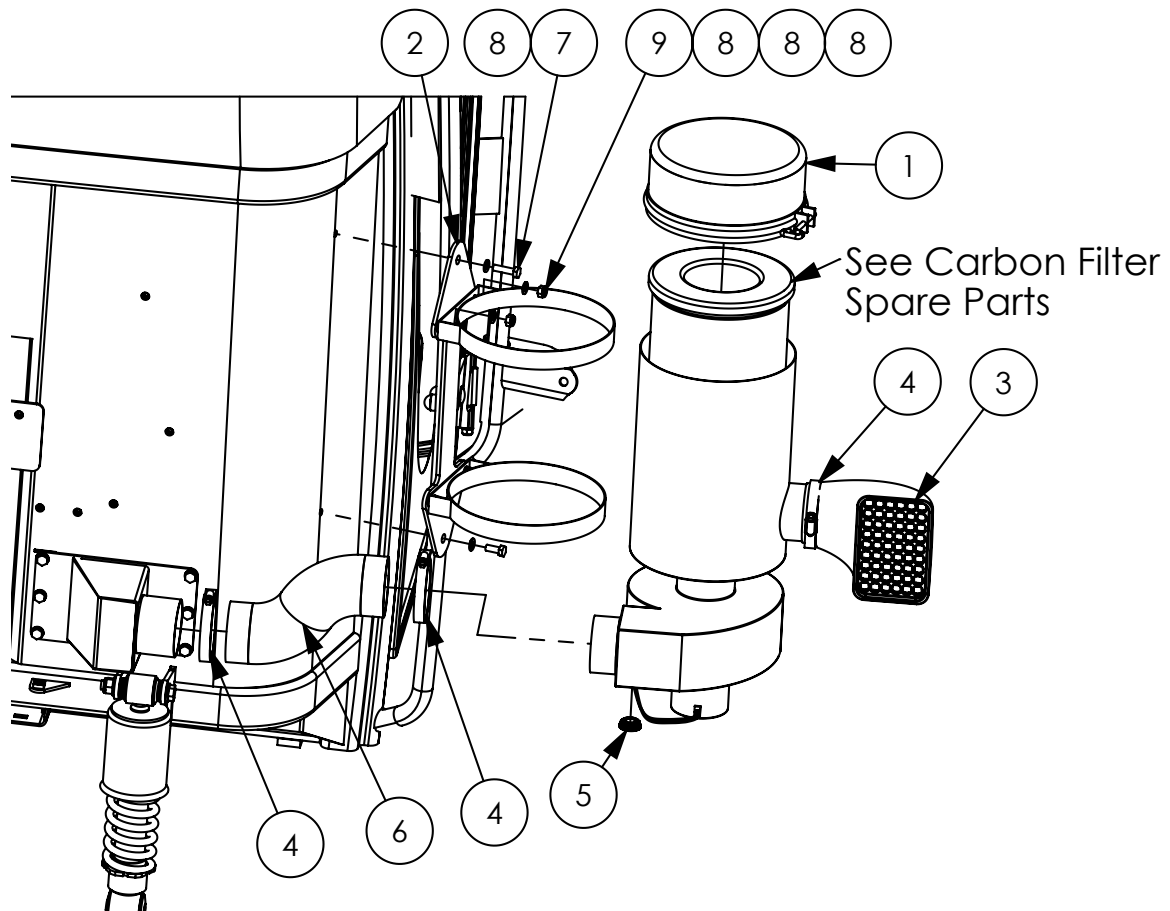
Pedal Assembly

Connectors are supplied with accelerator pedal



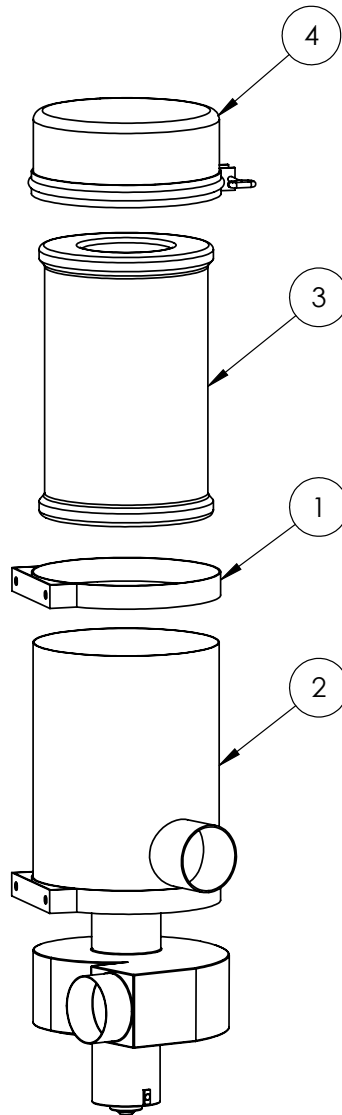
ITEM NO.	PART NUMBER	DESCRIPTION	QTY.
1	GA4600270	ACCELERATOR AND BRAKE PEDAL MOUNT	1
2	GA5065460	THROTTLE PEDAL - ELECTRONIC	1
3	GA3500088	HYDRAULIC VALVE, DUAL, BRAKE, FOOT PEDAL	1
4	GA5003643	WASHER 8MM FLAT SS HD	6
5	GA5011475	BOLT M8 X 30 GR8.8 ZP	3
6	GA5052590	NUT M8 NYLOC SS	3
7	GA5004063	BOLT M6 X 20 SS A-70	2
8	GA5048115	NUT M6 NYLOC ZP	2
9	GA3500129	HYDRAULIC ADAPTOR, SEAL, METAL BONDED, M16	5
10	GA3500128	HYDRAULIC ADAPTOR, NIPPLE, M16 X 1.5 DKS MALE X 1/4" BSPP MALE O-RING	5
11	GA5004437	WASHER 6MM FLAT SS	6
12	GA5004061	SHCS M6 X 25 SS A2-70	2
13	GA3000066	PRESSURE SWITCH, HYDRAULIC, NO, 1/8", 1-10 BAR	2

Carbon Filter Assembly - Pre S/N 105264



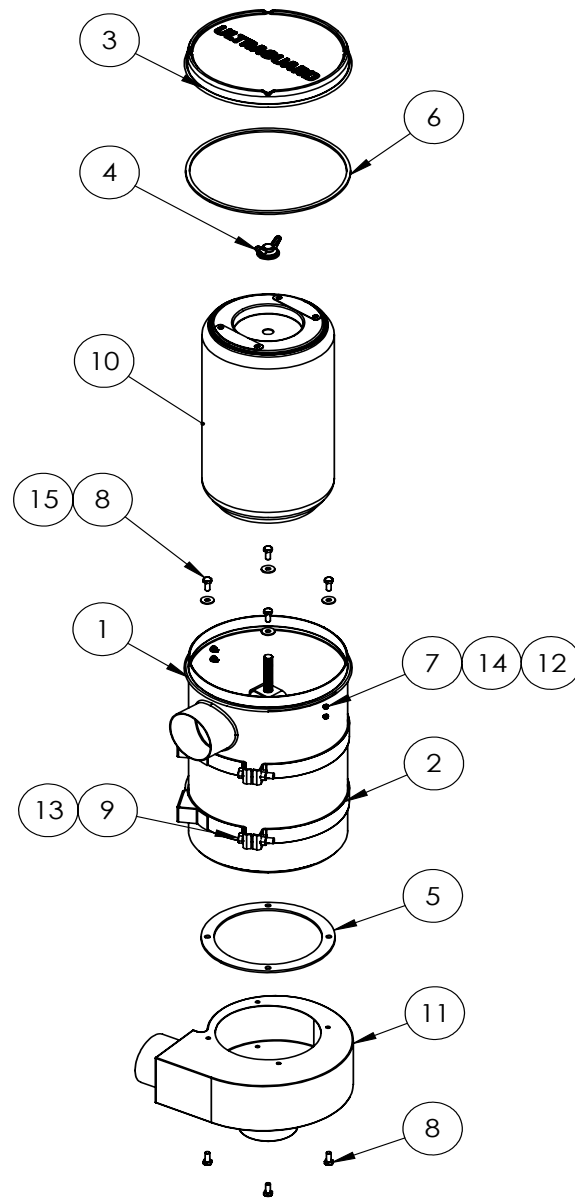
ITEM NO.	PART NUMBER	DESCRIPTION	QTY.
-	GA5066740	CARBON FILTER, REPLACEMENT INSERT SUIT DONALDSON	-
1	GA5066741	EXTERNAL MOUNT 12V ULTRGUARD CARBON FILTER	1
2	GA4658845	CARBON FILTER MOUNTING BRACKET	1
3	GA5002179	AIR RAM 3" INLET	1
4	GA5004241	HOSE CLAMP 60-80MM (3 1/2") SS	3
5	GA5012199	NEOP GROMMET 29MM OD	1
6	GA5016849	DUCT 3" TPRDS - (CUT TO 300 MM)	1
7	GA5004085	BOLT M8 X 20 ZP GR8.8	2
8	GA5003643	WASHER 8MM FLAT SS HD	14
9	GA5004917	NUT M8 NYLOC ZP	4

Carbon Filter - Pre S/N 105264



ITEM NO.	PART NUMBER	DESCRIPTION	QTY.
-	GA5025795	WINGNUT, SUIT, ULTRAGUARD CARBON FILTER, GA5066741 & GA5025740	1
1	GA5025785	BELT, BRACKET, SUIT, ULTRAGUARD CARBON FILTER, GA5066741 & GA5025740	2
2	GA5025930	BODY, FILTER BARREL, SUIT, 12V ULTRAGUARD, SUIT, GA5066741	1
3	GA5066740	CARBON FILTER INSERT SUIT DONALDSON	1
4	GA5025934	LID, SUIT, CARBON FILTER, ULTRAGUARD, GA5066741	1

Carbon Filter - Ultraguard MY24 - S/N 105264 Onward



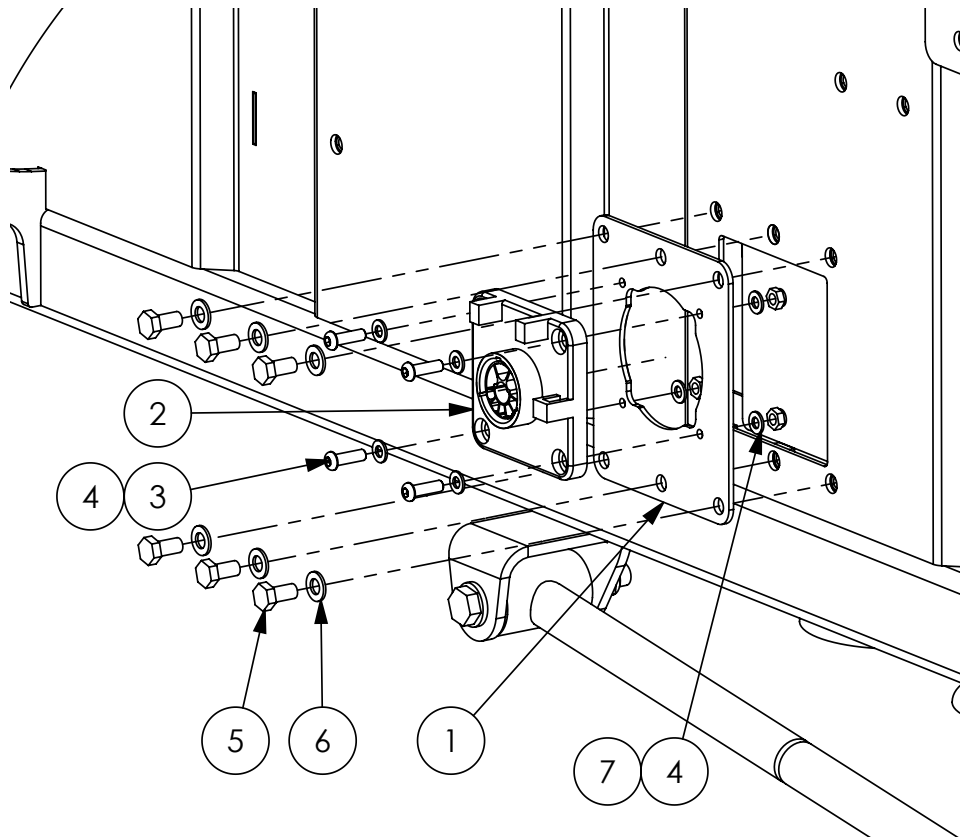
ITEM NO.	PART NUMBER	DESCRIPTION	QTY.
1	GA5025780	BODY, FILTER BARREL, SUIT, ULTRAGUARD CARBON FILTER, GA5025740	1
2	GA5025785	BELT, BRACKET, SUIT, ULTRAGUARD CARBON FILTER, GA5025740	2
3	GA5025790	LID, SUIT, ULTRAGUARD CARBON FILTER, GA5025740	1
4	GA5025795	WINGNUT, SUIT, ULTRAGUARD CARBON FILTER, GA5025740	1
5	GA5025800	GASKET, FAN BLOWER, SUIT, ULTRAGUARD CARBON FILTER, GA5075740	1
6	GA5025805	GASKET, LID, SUIT, ULTRAGUARD CARBON FILTER, GA5075740	1
7	GA5051040	BOLT M4 X 16 SS A2-70	4
8	GA5004041	BOLT M6 X 16 GR8.8 ZP	8

Continue Over Page

Carbon Filter - Ultraguard MY24 - S/N 105264 Onward

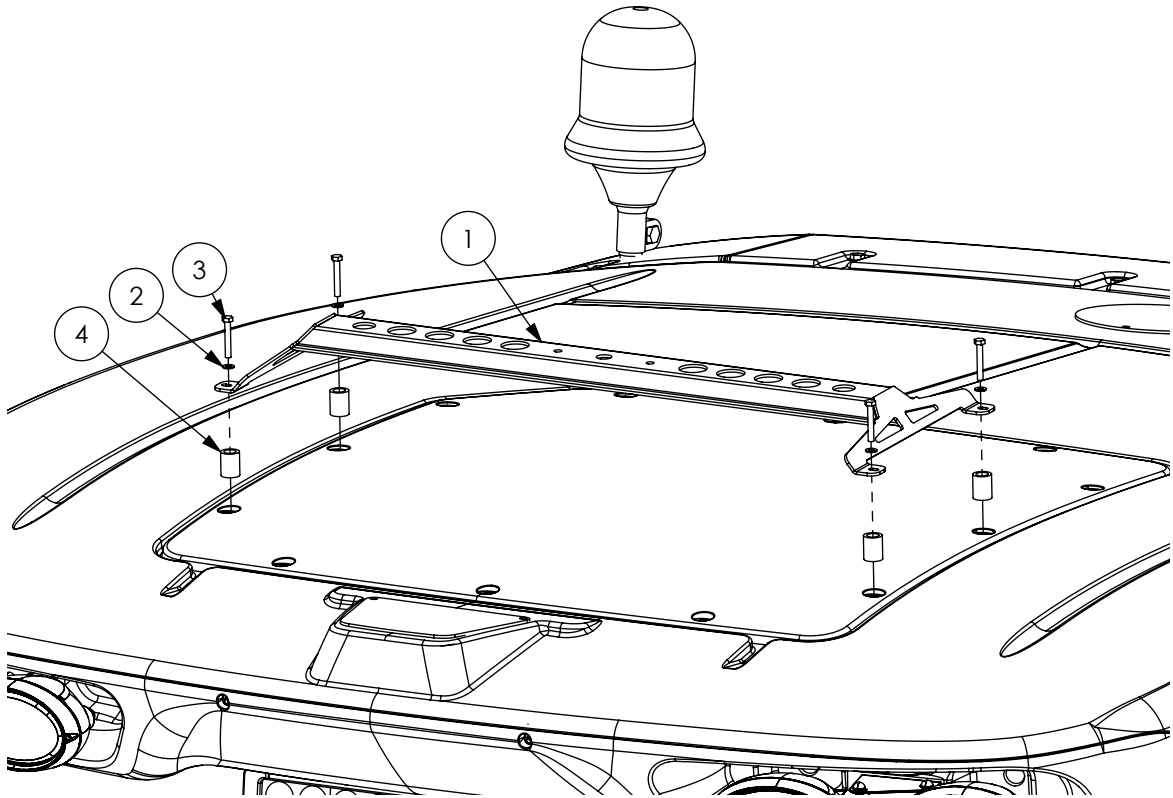
ITEM NO.	PART NUMBER	DESCRIPTION	QTY.
9	GA5048655	BOLT M8 X 40 GR8.8 ZP	2
10	GA5066740	CARBON FILTER, REPLACEMENT INSERT SUIT DONALDSON	1
11	GA5026289	FAN, BLOWER, 12V, ULTRAGUARD, SUIT, GA5025740, MY24 ON	1
12	GA5049025	NUT M4 NYLOC SS	4
13	GA5011499	NUT M8 HEX ZP	2
14	GA5020510	WASHER M4 FLAT SS	4
15	GA5004437	WASHER M6 FLAT SS	4

ISOBUS Raven Plug

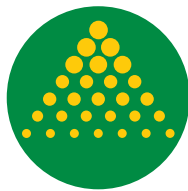


ITEM NO.	PART NUMBER	DESCRIPTION	QTY.
1	GA4509350	PLATE, ISO CONNECTOR MOUNT, CABIN REAR, CROP CRUISER	1
2	-	ISOBUS RAVEN PLUG MOUNT	1
3	GA5004053	BHCS M6 X 20 SS	4
4	GA5004437	WASHER 6MM FLAT SS	8
5	GA5011465	BOLT M8 X 16 GR8.8 ZP	6
6	GA5003651	WASHER 8MM FLAT SS	6
7	GA5004429	NUT M6 NYLOC SS	4

John Deere Roof Mount



ITEM NO.	PART NUMBER	DESCRIPTION	QTY.
1	GA4660140	RECEIVER MOUNT UNIVERSAL JOHN DEERE	1
2	GA5004437	WASHER 6MM FLAT SS	4
3	GA5004081	BOLT M6 X 40 ZP GR8.8	4
4	24MK3CS011M	CRUSH TUBE	4



GOLDACRES

www.goldacres.com.au