



GoldAcres Trading Pty Ltd
1 - 3 Northwestern Road
ST ARNAUD VIC 3478
PHONE: 03 5477 3999 FAX: 03 5477 3908
Spare Parts Direct Phone: 03 5477 3991
Spare Parts Direct Fax: 03 5477 3909
email: parts@goldacres.com.au
<http://www.goldacres.com.au>

GoldAcres Parts

For fast, efficient same day despatch of GoldAcres parts, please phone, fax or mail order to the above numbers. When placing your parts order, please provide the following information:

- Part Number
- Part Description
- Quantity Required
- Preferred Despatch Method.

We can despatch parts by post, road or airbag. To ensure same day service, please ensure parts are ordered as early in the day as possible.

If returning parts for repair to GoldAcres, please clean thoroughly all parts before sending them. GoldAcres cannot expose technicians to the various pesticides that are in use.

CATALOGUE ERRORS AND CHANGES:

Product specifications presented in this catalogue are believed to be accurate at the time of publication. Goldacres Trading Pty Ltd does, however, reserve the right to over-ride information deemed to be in error.

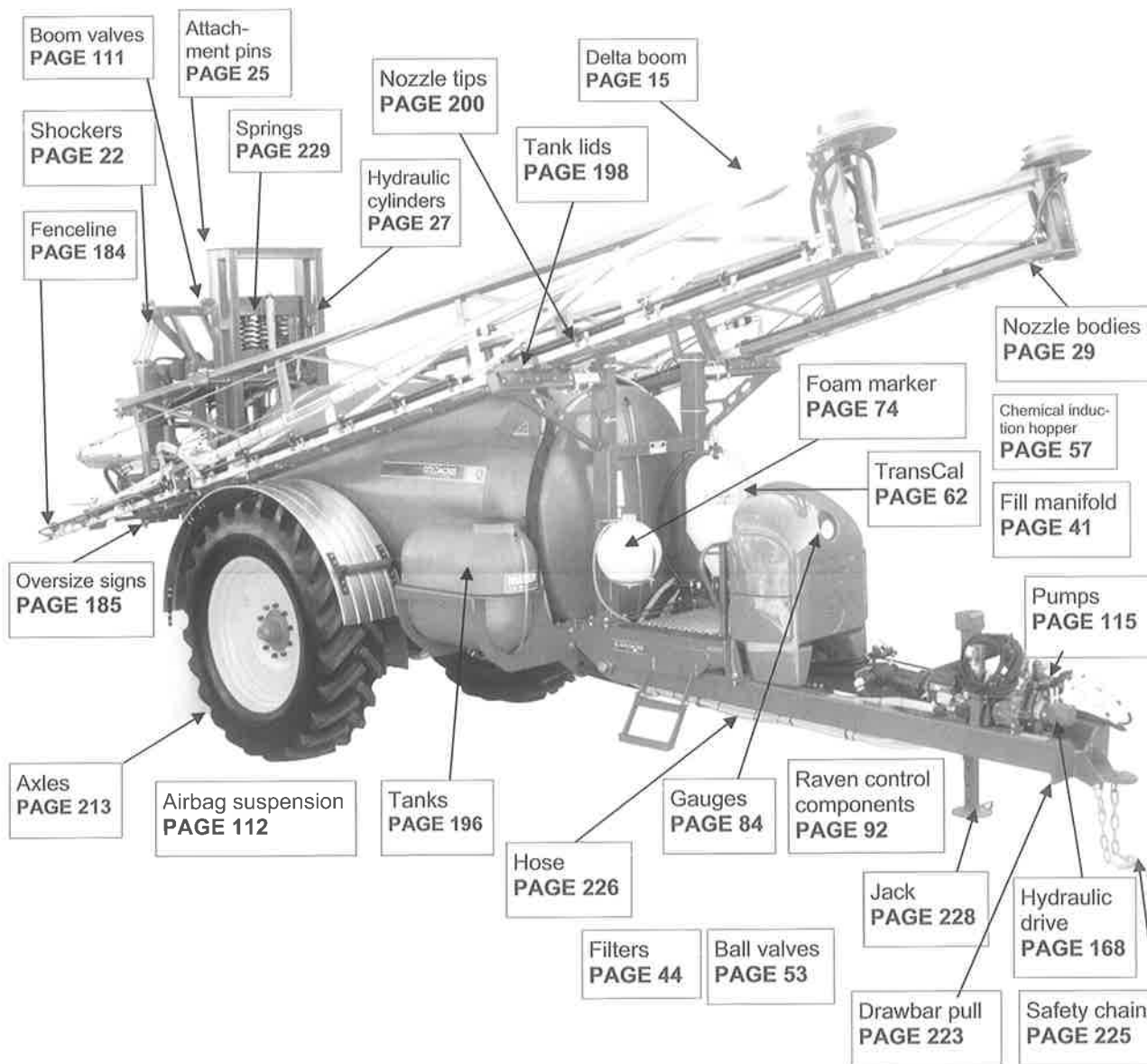




TABLE OF CONTENTS

12 VOLT

12 VOLT RANGE	1
SKID BASE RANGE	2
XL RANGE	3
SQUIRT RECHARGEABLE	4

HOSE REELS

AA30 GUNJET	6
AA43 GUNJET	7
TRIGGERJET SPRAY GUN	8
EXTENSIONS, ADJUSTABLE CONEJETS & SPRAY SHIELD	9
HEAVY DUTY HOSE REELS	10

THREE POINT LINKAGE SPRAYERS

300 LT 3PL	11
400 LT 3PL	12
600 & 800 LT 3PL	13

COMPACT SPRAYERS

14

DELTA BOOM

DELTA BOOM COMPONENTS	15
RUBBER STOPPER & HOLDER & BOOM WEIGHT	20
RUBBER BOOM REST & RUBBER BUFFERS	21
SHOCK ABSORBERS	22
NOZZLE BRACKETS	23
BEARINGS & ROLLERS	24
ATTACHMENT PINS	25
HYDRAULIC CYLINDER FITTINGS & HYDRAULIC HOSE	26
HYDRAULIC PHASING CYLINDERS	27
NOZZLE BODIES	29

PLUMBING SYSTEMS

41

FILTERS

SUCTION FILTERS	44
PRESSURE FILTERS	46
NOZZLE FILTERS	52

BALL VALVES

POLY BALL VALVES	53
BRASS BALL VALVES & INLINE TAPS	56

INDUCTION SYSTEMS

CHEMICAL INDUCTION HOPPER	57
CHEMICAL VENTURI PROBE	60
TRANSCAL	62
CHEMICAL TRANSFER STATION	65



TABLE OF CONTENTS

FOAM MARKERS

FOAM MARKERS	66
FOAM CONCENTRATE.....	66
COMPRESSOR	67
EXACTA FOAM MARKER COMPONENTS	70
EXACTA DIRECT INJECTION	73
STANDARD FOAM MARKER COMPONENTS.....	74

CONTROLS

TAS MONITOR	75
ELECTRIC CONTROL SYSTEMS.....	76
REGULATING/RELIEF VALVES	79
SOLENOIDS	81
MOTORISED BALL VALVES.....	82
BRASS MANIFOLDS & EXHAUST CLAMPS.....	83
GAUGES	84
UDOR CONTROL SYSTEMS.....	86
HIGH PRESSURE CONTROL SYSTEMS.....	89
MASTER OF THE GAME CONTROLS	90
E CONSTANT	91
RAVEN CONTROLLERS.....	92
RAVEN FLOWMETERS.....	101
RAVEN SPEED SENSORS	106
RAVEN LIGHTBAR.....	108
RAVEN SIDEKICK	109
RAVEN CONTROL VALVES	110
RAVEN BOOM VALVES.....	111

AIR BAG SUSPENSION

AIR BAG SUSPENSION COMPONENTS	112
-------------------------------------	-----

PUMPS

UDOR PUMPS	115
UDOR PUMP DRIVE ACCESSORIES	129
UDOR REPAIR KITS	131
UDOR PART NUMBERS	132
BERTOLINI PUMPS.....	136
AR PUMPS.....	153
12 VOLT PUMPS	155
ROLLER PUMPS	160
HYDRAULIC CENTRIFUGAL PUMPS	164
FILL PUMP.....	167
HYDRAULIC DRIVE.....	168



TABLE OF CONTENTS

PRAIRIE ADVANCE SPRAYER 171

 PLUMBING SYSTEM 172

 INDUCTION HOPPER 174

 BELLY TANK 175

 COMPRESSOR ASSEMBLY 176

 PARALIFT COMPONENTS 177

 PRESSURE MANIFOLD & TRANSCAL 178

 PRESSURE SCHEMATIC 179

 RINSE WATER SCHEMATIC 180

 TRANSCAL SCHEMATIC 181

BRASS FITTINGS 182

ENGINES 183

FENCELINE KITS 184

OVERSIZE SIGNS 185

ORCHARD SPRAYER PARTS 186

ROPEWICK PARTS 187

GROUND GLIDER PARTS 188

DIRECTOR SPRAYER PARTS 189

PTO SHAFTS 195

TANKS

 TANKS 196

 LIDS & ACCESSORIES 198

 TANK FLUSHING KIT 199

TIPS

 TEEJET TIPS 200

 TEEJET BOOMJET 212

AXLES

 FAD AXLES 213

 TRAILER AXLES 214

 BPW AXLES 215

NYLON FITTINGS

 CAM LEVER COUPLINGS 216

 NYLON FITTINGS 217

 BANJO MANIFOLD FITTINGS 220



TABLE OF CONTENTS

MISCELLANEOUS

UTILITY BOX.....	221
GOLDACRES SERVICE KITS	221
GOLDACRES SPRAYER MAINTENANCE KIT	222
PRAIRIE TONGUE & OPERATORS MANUAL CASE	223
ELECTRICAL FITTINGS	224
EYE BOLTS & SAFETY CHAIN	225
HOSE	226
HOSE CLAMPS	227
JACKS	228
PAINT	228
SPRINGS	229
MUDGUARDS & MUDFLAPS	230
SPRAYING ACCESSORIES	231
STICKERS	232
TROUBLESHOOTING.....	234
BERTANI PRESSURE SPRAYERS.....	247
TECNOMA SPRAYERS	248
CHEMICAL MIXING TANK.....	249
INDEX	250



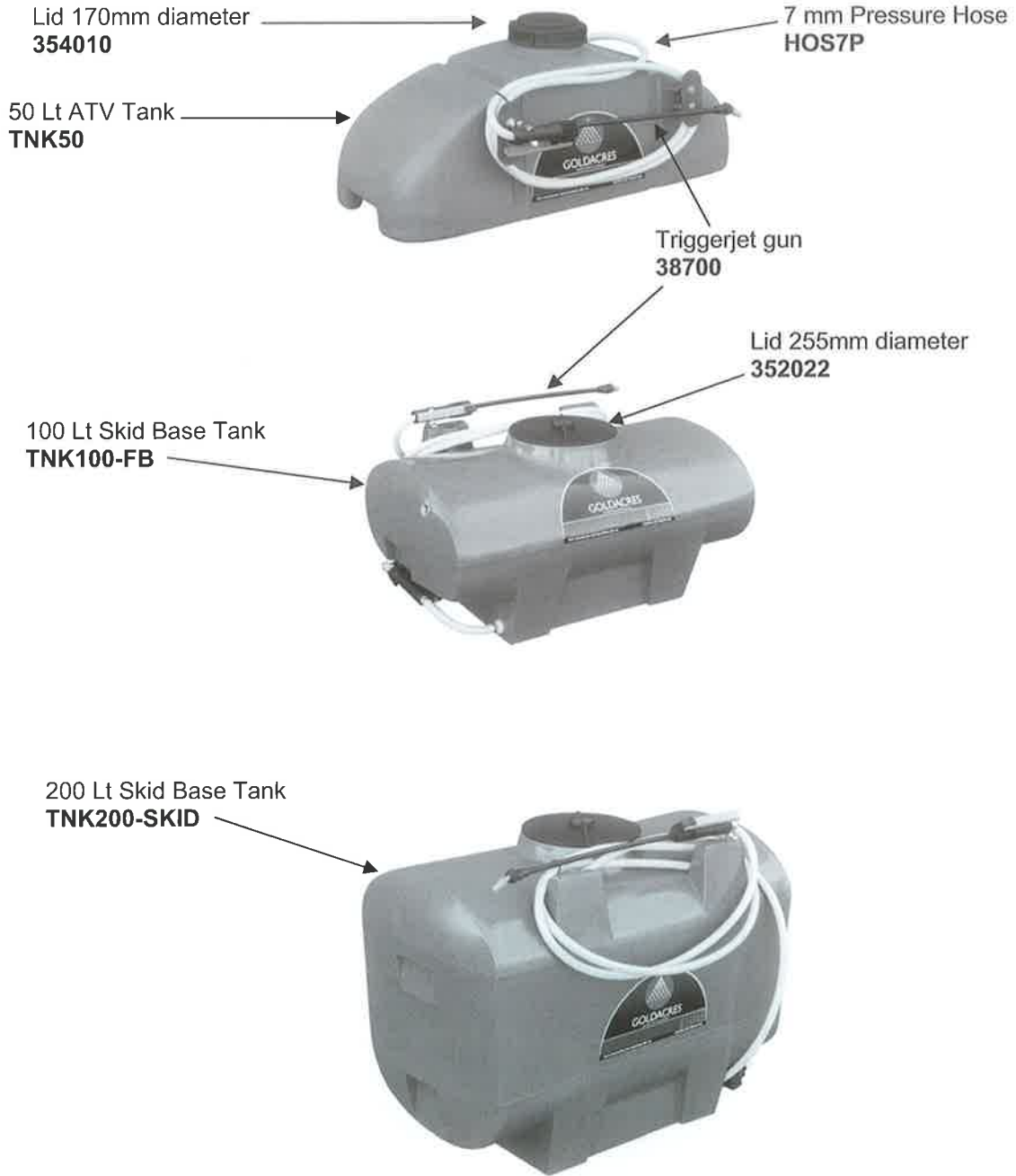
12 Volt Sprayers





SB Skid Base 12 Volt Sprayers

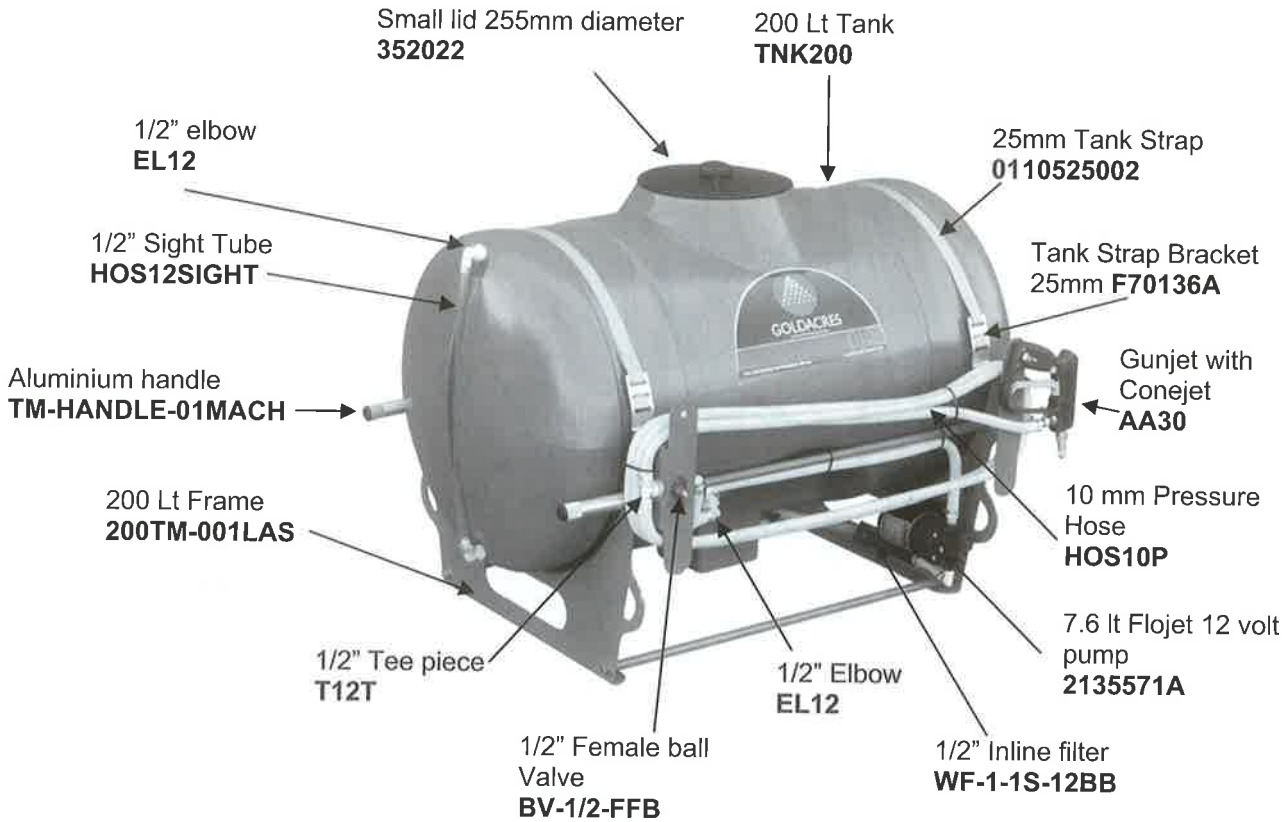
Note: All Traymates (excluding Squirt & Chubby) have Flojet 7.6 Pump 70 psi pumps standard **2135571A**





XL 12 Volt Sprayer Parts

Note: All XL Traymates (traymates with frames) have the same components except the tank and frames



100 Ltr Tank
TNK100

100 Ltr Frame
100TM-003MACH



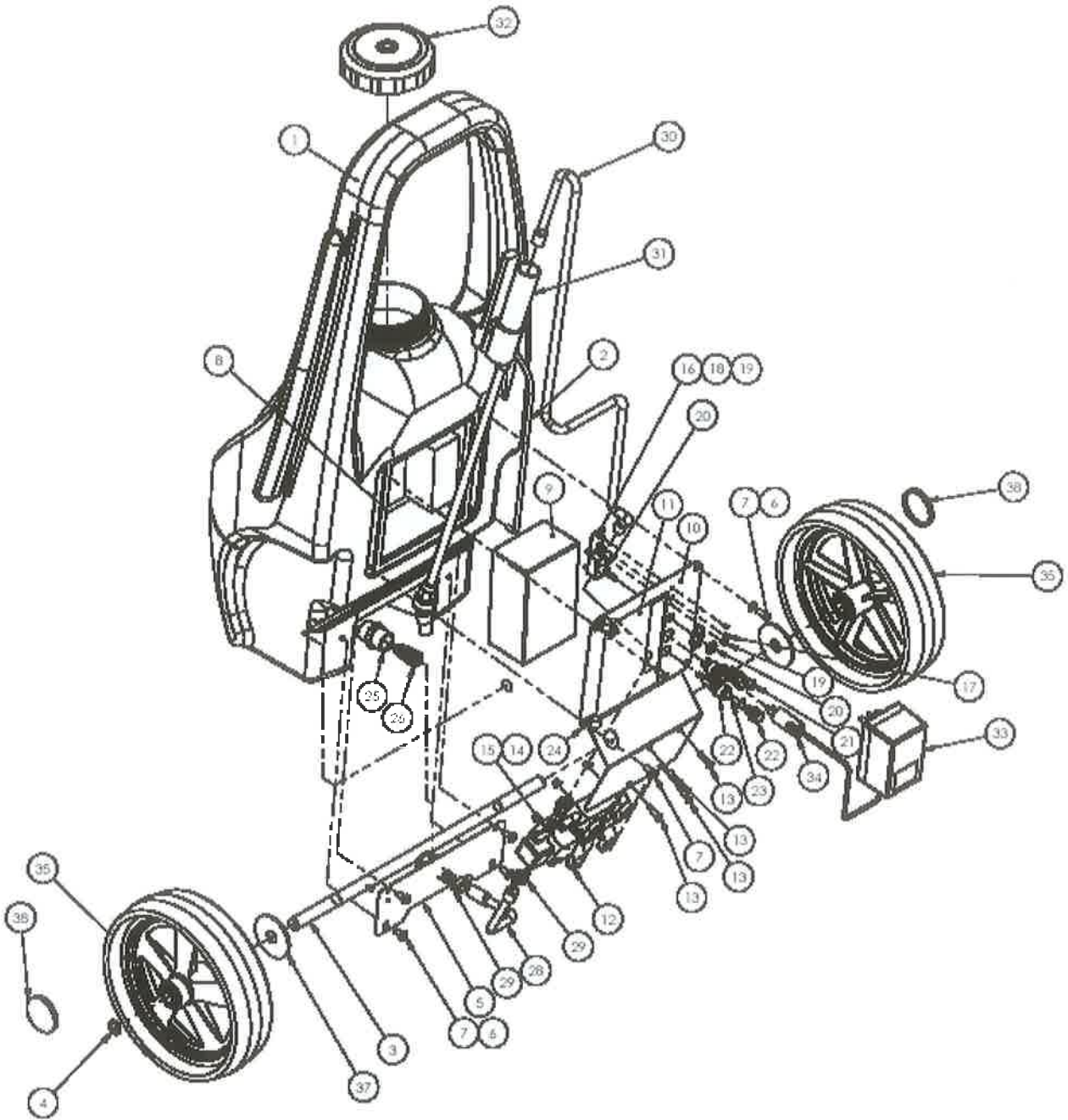
On/Off Switch
ST25B

Fuse and Holder
YC513-B

1/2" Plastic Tap
VQA12



SQUIRT 30 LITRE RE-CHARGEABLE SPRAYER





SQUIRT 30 LITRE RE-CHARGEABLE SPRAYER

Item No.	Part Number	Description	Quantity
1	TNK30SQ	30L Squirt tank	1
2	HOS10WSIGHT	Sight tube	1
3	25LSQ-003MACH	30L Squirt axle	1
4	1400-15	15mm External circlip	2
5	25LSQ-002LAS	30L Squirt axle plate	1
6	WASH6	Washer	6
7	M6X15BHCS	Button head stainless bolt	8
9	NP1207.2	12v 7.2AH battery	1
10	25LSQ-001LAS	30L Squirt battery/pump plate	1
11	GA018	Squirt warning label	1
12	LF121-421D	Flojet 12v pump	1
13	M5X20BH	Button head stainless bolt	4
14	WASH5	Washer	4
15	NN5	Nyloc Nut 5mm	4
16	4166-6003	Battery voltage indicator board	1
17	H1934	LED mounting bezel	1
18	HA0110	Circuit board spacer	2
19	M3X6SS	Mounting screw	4
20	ST25B	On/Off switch	1
21	PS114	Female charging port	1
22	YC513B	Fuse holder	1
24	3367	CCL437-170 hose clamp	2
25	M34	3/4" to 3/4" male nipple	1
26	90493-3/4	Screen filter	1
27	44008-3/4	In-line filter fitting	1
28	HOS10WSIGHT	Sight tube wire re-in forced	1
29	10100029	1/2" hose clamp	3
30	HOS7P	7mm pressure hose	1
31	38700-PP-X18	Trigger-jet spray gun	1
32	354230	Tank Lid	1
33	AC900	12v Automatic battery charger	1
34	P113	Male charging port	1
35	3325BL0000	Wheel	2
36	FOAM BLOCK	Battery locator	1
37	MACH0030	Plastic washer	2
38	JKZ-STDLAB	Wheel cap	2
	60058BL	Switch cover	1
	GA027	30L squirt sticker kit	1



GunJet®

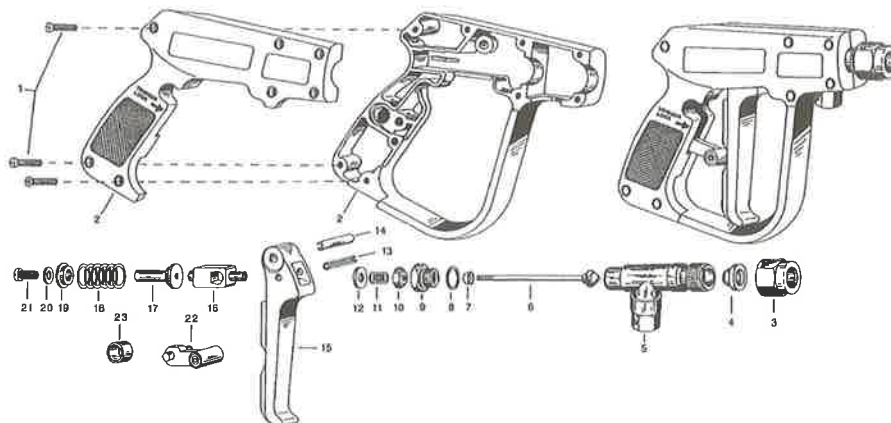
AA30L LOW PRESSURE SPRAY GUN

AA301/4



- ~ Flow rates up to 19 L/min.
- ~ Maximum operating pressure of 17 bar.
- ~ Outlet connection is 11/16" - 16 TeeJet thread.
- ~ Inlet connection is 1/4" (F) BSPT.
- ~ Body and trigger moulded of tough nylon.
- ~ Brass extension available (refer Extension Table).
- ~ Accommodates all interchangeable TeeJet® spray tips though use with 5500 brass adjustable conejets is recommended (refer Adjustable Conejet table).

AA30-1/4 AA30L Low Pressure Spray Gun



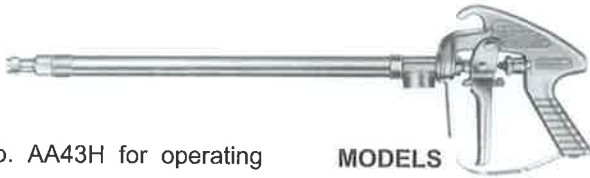
ITEM	PART NO.	DESCRIPTION
1	CP17103-IZP	Zinc-Plated Steel Screw
2	CP19684-1-NYB	Right and Left Hand Nylon Housing Set
3	CP7890-INP	Nickel-Plated Steel Cap
4	CP7490-BRTF	Brass and Teflon Valve Seat Assy.
5	CP22136	Brass Inlet Body
6	CP22137-BR302S	Brass and Stainless Steel Stem Assy.
7	CP14255-1-BU	Buna Packing Cup
8	CP19812-AL	Aluminium Gasket
9	CP19811	Brass Packing Screw
10	CP7484-INP	Nickel-Plated Steel Stem Nut
11	CP7489-SS	Stainless Steel Trigger Stop Spring
12	CP7622-IZP	Zinc-Plated Steel Washer
13	CP17720-420SS	Stainless Steel Roll Pin
14	CP19820-420SS	Stainless Steel Roll Pin
15	CP17703-FRP	Fibreglass Reinforced Polyester Trigger
16	CP19810	Brass Trigger Guide
17	CP19815	Brass Spring Guide
18	CP22138-302SS	Stainless Steel Spring
19	CP19816	Brass Spring Retainer
20	CP19819-SS	Stainless Steel Washer
21	CP19818-IZP	Zinc-Plated Steel Screw
22	CP19806-FRP	Fibreglass Reinforced Polyester Trigger Lock
23	CP19805-CE	Celcon Lock Spring Ring

AB30L-KIT AA30L GunJet Repair Kit includes items 4,6,7,8,& 18.



GunJet® AA43 SPRAY GUNS

No. AA43L for operating pressures up to 13 bar. No. AA43H for operating pressures from 13 bar to 55 bar. Trigger handle control...ALL MODELS have 1/2" NPT (F) inlet connections. Quality designed and built for heavy duty service. Stem extends through extension to valve seat located directly behind orifice disc for drip-free shutoff and instant operating response. Convenient trigger-lock for continuous spraying.



MODELS

Model No.	Operating Pressure (bar) Range	Made of	Lgth. mm
43L	0-14	Brass	559
43H	14-55	Brass	
43L-AL	0-14	Alum.	
43H-AL	14-55	Alum.	



Hardened stainless steel type D orifice discs

Choice of five interchangeable orifice disc capacities. Other sizes on request. Discs are corrosion and erosion-resistant.

Exposed packing nut
For easy adjustment of packing.

Choice of materials
Brass or aluminium.

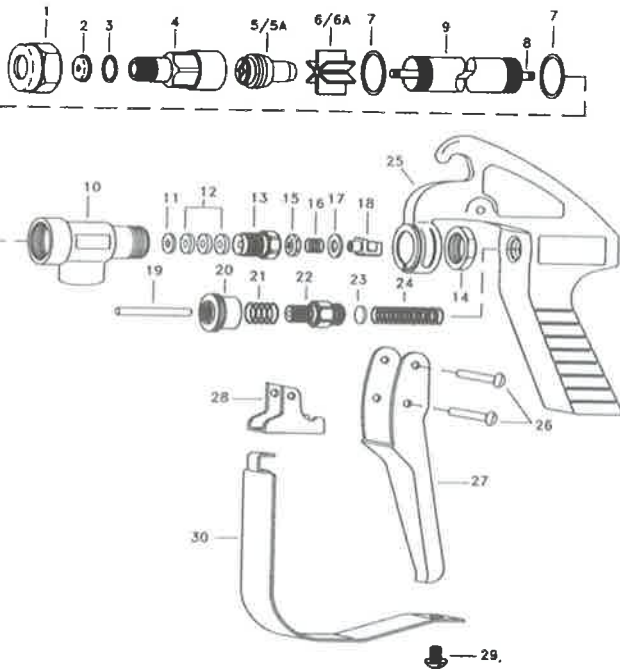
Type 43A GunJet Spray Guns



Model No.	Operating Pressure (bar) Range	Made of	Lgth. mm
43LA	0-14	Brass	330
43HA	14-55	Brass	
43LA-AL	0-14	Alum.	
43HA-AL	14-55	Alum.	

Hardened stainless steel type DX-HSS spray tips

For spraying trees and other applications where maximum spray throw is required.



ITEM	PART NO.		DESCRIPTION
	BRASS	ALUMINUM	
1	CP1325	CP1325-AL	Cap, Brass or Aluminum
2	D-***	D-***	Orifice Disc, Hardened Stainless Steel
3	CP4743-NY	CP4743-NY	Gasket, Nylon
4	CP10566	CP10566-AL	Nozzle Housing, Brass or Aluminum
5	10565-1-NY	10565-1-NY-AL	Seal Plug, Seal Plate, Washer & Core Sub-Assembly Nylon Core & Vane With Brass Or Aluminum Seal Plug
5A	10565	10565-AL	Seal Plug, Seal Plate, Washer & Core Sub-Assembly Brass Or Aluminum, Special Order ONLY
6	CP10571-2-NY	CP10571-3-NY	Guide Vane, Nylon
6A	CP10571-AL	CP10571-AL	Guide Vane, Aluminum, Special Order ONLY
7	CP43105-MYB	CP43196-MYB	Gasket, Nylon (2 Req'd)
8	CP19238-416SS	CP19238-416SS	Stem, Type 416 Stainless Steel
9	CP6804	CP6804-AL	Tubing, Brass or Aluminum
10	CP6492	CP6492-AL	Inlet Body, Brass or Aluminum
11	CP6801-302SS	CP6801-302SS	Packing Washer, Type 302 Stainless Steel
12	CP6802-LEA	CP6802-LEA	Packing, Leather (3 Req'd), Standard
	CP6802-Tef	CP6802-Tef	Packing, Teflon (3 Req'd), Optional
13	CP19237	CP19237-AL	Packing Screw, Brass or Aluminum
14	CP6599	CP6599-IZP	Locknut, Brass or Steel, Zinc Plated
15	CP6841-INP	CP6841-INP	Stem Nut, Steel, Nickel Plated
16	CP6595-SS	CP6595-SS	Trigger Stop Spring, Stainless Steel
17	CP7991-SS	CP7991-SS	Washer, Stainless Steel
18	CP6597-INP	CP6597-INP	Trigger Guide, Steel, Nickel Plated
19	CP6591-SS	CP6591-SS	Spring Stud, Stainless Steel
20	CP6589-IZP	CP6589-IZP	Stop Adjustment Nut, Steel, Zinc Plated
21	CP6594-SS	CP6594-SS	Spring for Stop Adjustment Nut, Stainless Steel
22	CP6588-IZP	CP6588-IZP	Spring Screw, Steel, Zinc Plated
23	CP6592-302SS	CP6592-302SS	Spring Guide Washer, Type 302 Stainless Steel
24	CP6593-1-SS	CP6593-1-SS	Main Spring, Stainless Steel (for Model #43L-)
	CP6593-2-SS	CP6593-2-SS	Main Spring, Stainless Steel (for Model #43H-)
25	CP14477-1-AL	CP14477-1-AL	Handle Body, Aluminum
26	CP7623-IZP	CP7623-IZP	Rivet, Steel, Zinc Plated (2 Req'd)
27	CP6509-INP	CP6509-INP	Trigger, Steel, Nickel Plated
28	CP6510-INP	CP6510-INP	Trigger Stop, Steel, Nickel Plated
29	CP11757-SS	CP11757-SS	Screw, Stainless Steel
30	CP13798-INP	CP13798-INP	Trigger Guard, Steel, Nickel Plated
GunJet® No. AA43L - Brass, Complete, For Pressures up to 200 PSI			
GunJet® No. AA43L-AL - Aluminum, Complete, For Pressures up to 200 PSI			
GunJet® No. AA43H - Brass, Complete, For Pressures from 200 to 800 PSI			
GunJet® No. AA43H-AL - Aluminum, Complete, For Pressures from 200 to 800 PSI			
AB43-KIT Spare parts Kit (Includes all items marked with *)			
AB43-AL-KIT Spare parts Kit (Includes all items marked with *)			
ABCK43-KIT Conversion Kit for Adjustable Stem - Items 8, 13 & 15 (for Model #43L-)			
ABCK43-AL-KIT Conversion Kit for Adjustable Stem - Items 8, 13 & 15 (for Model #43-AL-)			

** Specify Orifice Disc Size



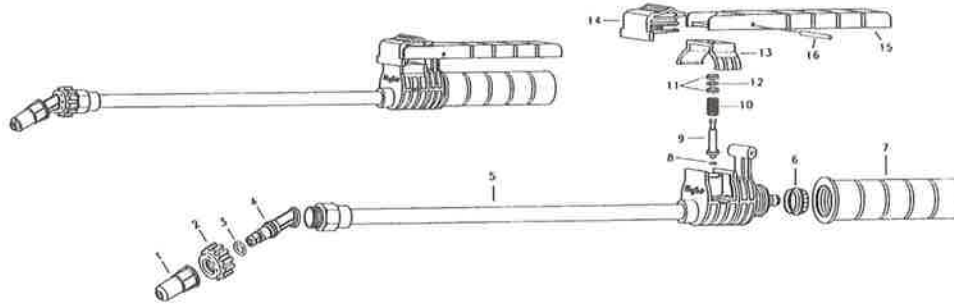
TriggerJet® Spray Gun



The Model 38700 TriggerJet® spray gun is a lightweight spray gun designed for use with backpack, canister, or other low pressure spray systems. The TriggerJet is made of molded polypropylene for excellent chemical resistant and durability.

FEATURES:

- The 38700 TriggerJet® spray gun kit includes a 15" (381 mm) extension.
- Replaceable internal working components (see diagram below).
- Trigger lock permits locking valve in open position for continuous flow.
- Maximum operating pressure of 100 psi (7 bar).
- Accepts all standard spray tips and tip strainers.
- Available in 1/4" (6 mm) hose shank connection.
- External hose clamps are eliminated by the 38700 TriggerJet® spray gun's internal hose clamp.



ITEM	PART NO.	DESCRIPTION
1	CP38721-PP-**	TIP BODY, POLYPROPYLENE
2	CP22668-PP	CAP, POLYPROPYLENE
3	CP7717-5-EPR	O'RING, EPDM RUBBER
4	CP38722-PP	CORE, POLYPROPYLENE
	38720-PP	ADJUSTABLE CONEJET® SPRAY TIP SUB-ASB. (INCLUDES ITEMS 1 THRU 4)
5	38711-PP	BODY SUB-ASSEMBLY, POLYPROPYLENE
6	CP38708-PP	HOSE CLAMP, POLYPROPYLENE
7	CP38707-PP	HANDLE, POLYPROPYLENE
8	CP7717-2-103/90-BU	O'RING, BUNA-N (90 DUROMETER)
9	CP38709-NYB	STEM, NYLON (BLACK)
10	CP38705-PHSS	SPRING, STAINLESS STEEL TYPE 17-7PH
11	CP38706-NY	WASHER, NYLON (2 REQ'D)
12	CP7717-2/108-BU	O'RING, BUNA-N
13	CP38702-PP	SPRING RETAINER, POLYPROPYLENE
14	CP38704-PP	TRIGGER LOCK, POLYPROPYLENE
15	CP38703-PP	TRIGGER, POLYPROPYLENE
16	CP22672-IZP	GROOVE PIN, STEEL-ZINC PLATED

HIGH PRESSURE SPRAY GUN



The lever and handle spray guns are manufactured as follows: stainless steel tube, brass inside rod, steel nozzle or ceramic.

Lever spray gun 300mm **001000**



EXTENSIONS FOR AA30L SPRAY GUN (Straight with Fixed Body)

EXTENSION TYPE AND NO.	EXT. LENGTH (mm)	NET WEIGHT (kg)
7715-8	203	0.09
771518	457	0.11
771524	610	0.14
771530	762	0.16
771536	914	0.18
771548	1219	0.21

ADJUSTABLE CONEJETS

The adjustable brass Conejet nozzle rotates through a half turn to provide spray selection from wide angle, finely atomised cone spray to a straight stream spray. Tip settings "A" and "B" represent two extreme points of rotation in tip adjustment.



Adjustable ConeJet Tip No.	Performance	Liquid Pressure (kPa)							
		150		200		300		400	
		A	B	A	B	A	B	A	B
5500 - X18	Capacity (l/min)	0.79	2.6	0.98	3.2	1.1	3.7	1.4	4.5
	Spray Angle (deg)	71	-	75	-	77	-	78	-
	Max. Throw (m)	1.2	11.5	1.2	12.5	1.2	12.8	1.2	12.8
5500 - X22	Capacity (l/min)	0.95	3	1.2	3.7	1.5	4.7	1.8	5.5
	Spray Angle (deg)	71	-	75	-	78	-	79	-
	Max. Throw (m)	1.2	11.9	1.4	12.5	1.5	12.8	1.5	12.8
5500 - X26	Capacity (l/min)	1.1	3.6	1.4	4.5	1.7	5.5	2.1	6.7
	Spray Angle (deg)	72	-	76	-	78	-	79	-
	Max. Throw (m)	1.4	12.2	1.5	12.8	1.5	13.1	1.7	13.1

SPRAY SHIELD FOR GUNJET



Spray shield for gunjet

001950C



HEAVY DUTY HOSE REELS

This is the hose and reel for the professional user. It is heavy duty construction and coated for long life.

20M hose reel available with 12mm inside diameter chemical resistant hose.

50 and 100M hose reels available with nylon 11 tubing which is light and easy to manage in the long lengths. This 12mm outside diameter hose (approximately 10mm inside diameter) is resistant to all the chemicals commonly used in Australia and is kink resistant.

20M Hose reel	HR-20
50M Hose reel	HR-50
100M Hose reel	HR-100
Bare reel	HR-BARE



20M Hose Reel and AA30L GunJet



50M Hose Reel and AA30L GunJet

PLEASE NOTE:

GUNJETS FOR HOSE REELS ARE NOT INCLUDED WITH THE ABOVE REELS. PLEASE ORDER THE GUN OF YOUR CHOICE FROM THOSE LISTED IN THIS CATALOGUE.

HOSE REEL ACCESSORIES



Hose reel swivel mounting bracket
HR-SMB

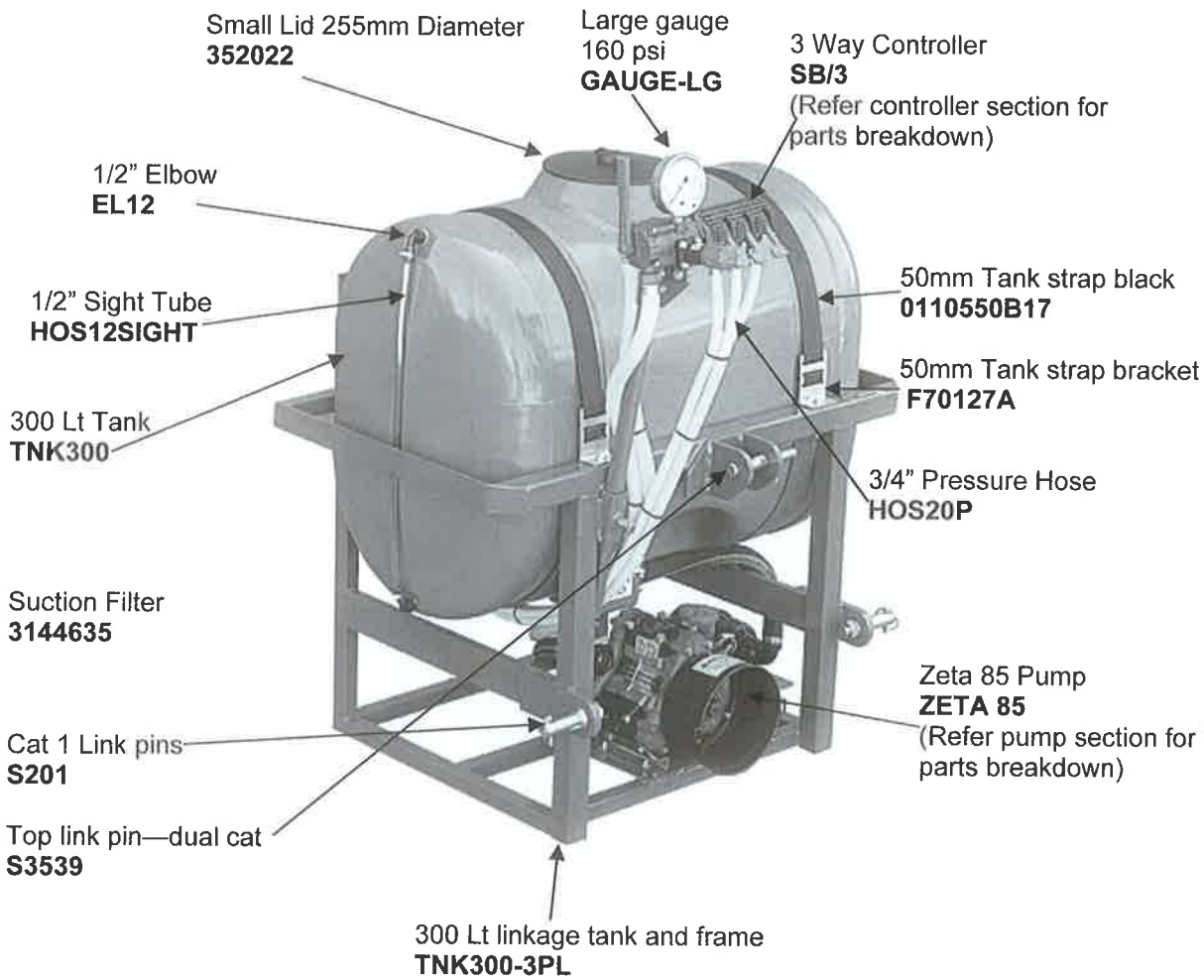
Previous model hose reel handle
available.



Hose reel handle.
HP19/NL



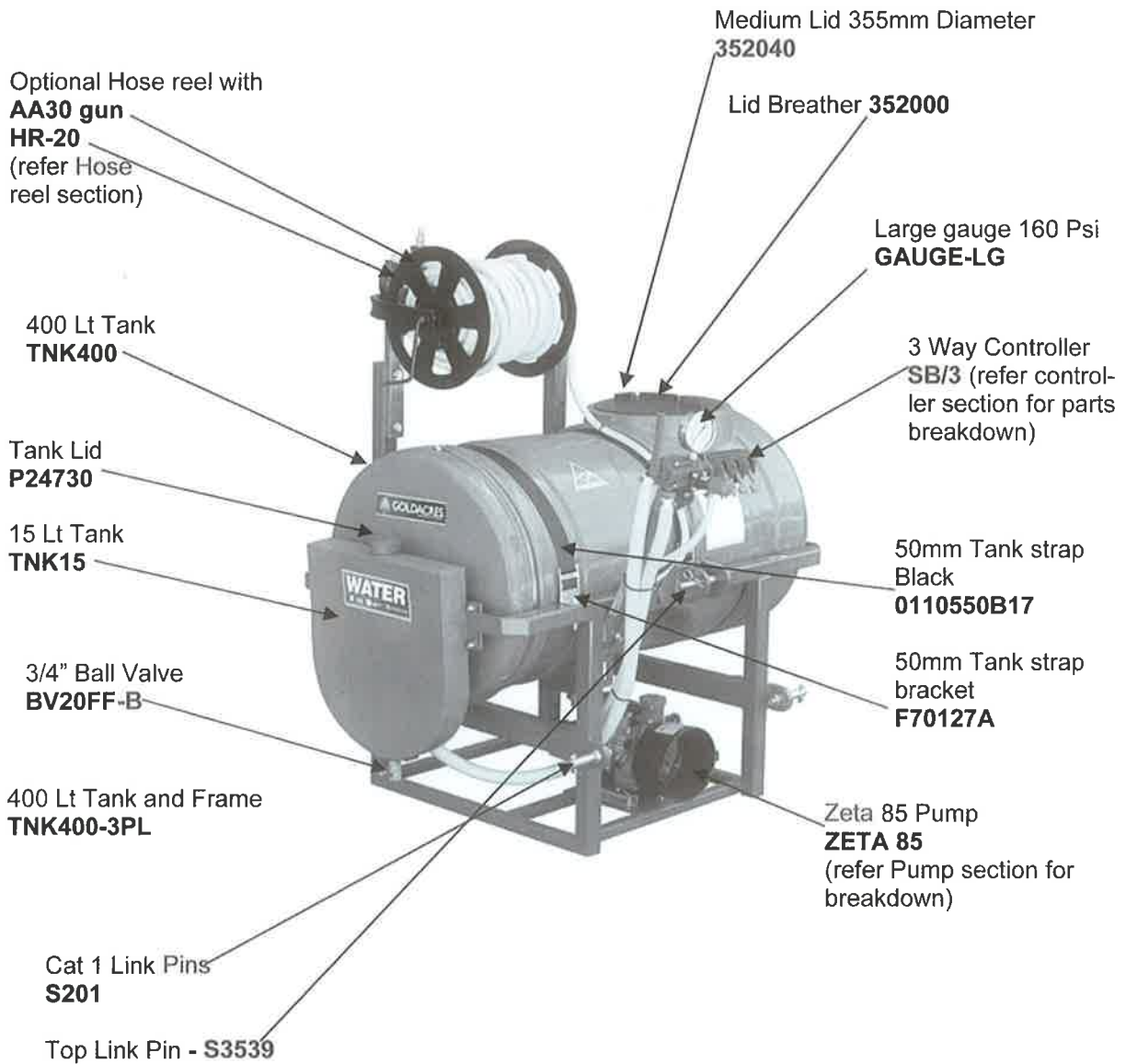
300 Lt Three Point Linkage



3PL



400 Lt Three Point Linkage





600 & 800 Lt Three Point Linkage

Note: All parts are the same on 3PL units 400 Lt, 600 Lt & 800 Lt, excluding tank and frame sizes.

3PL shown with optional
50 Mt hose reel

600 Lt Tank & Frame
TNK600-3PL



800 Lt 3PL shown with optional 6 Mt boom

800 Lt Tank
TNK800

800 Lt Tank and frame
TNK800-3PL

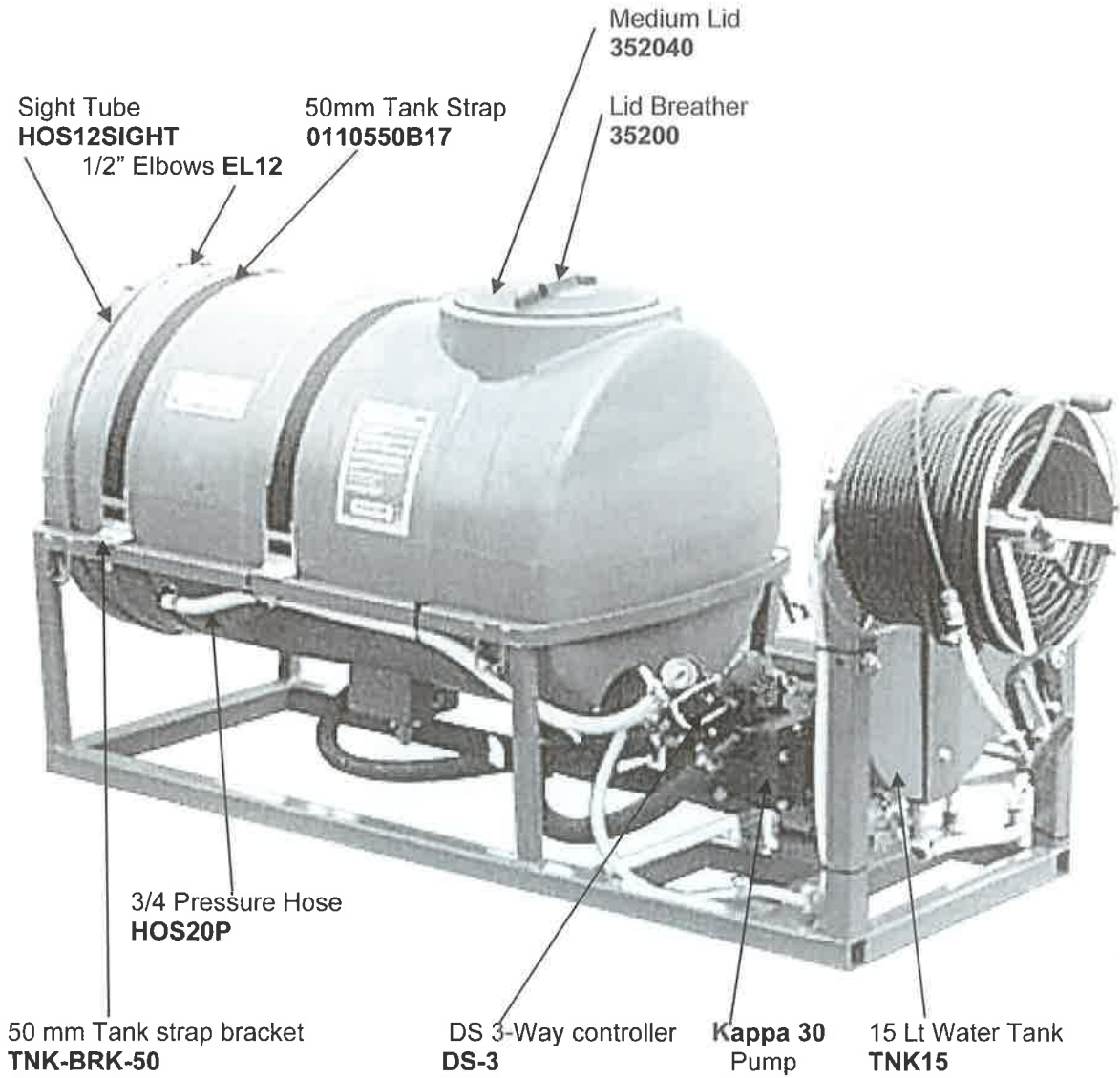




Compact Sprayers

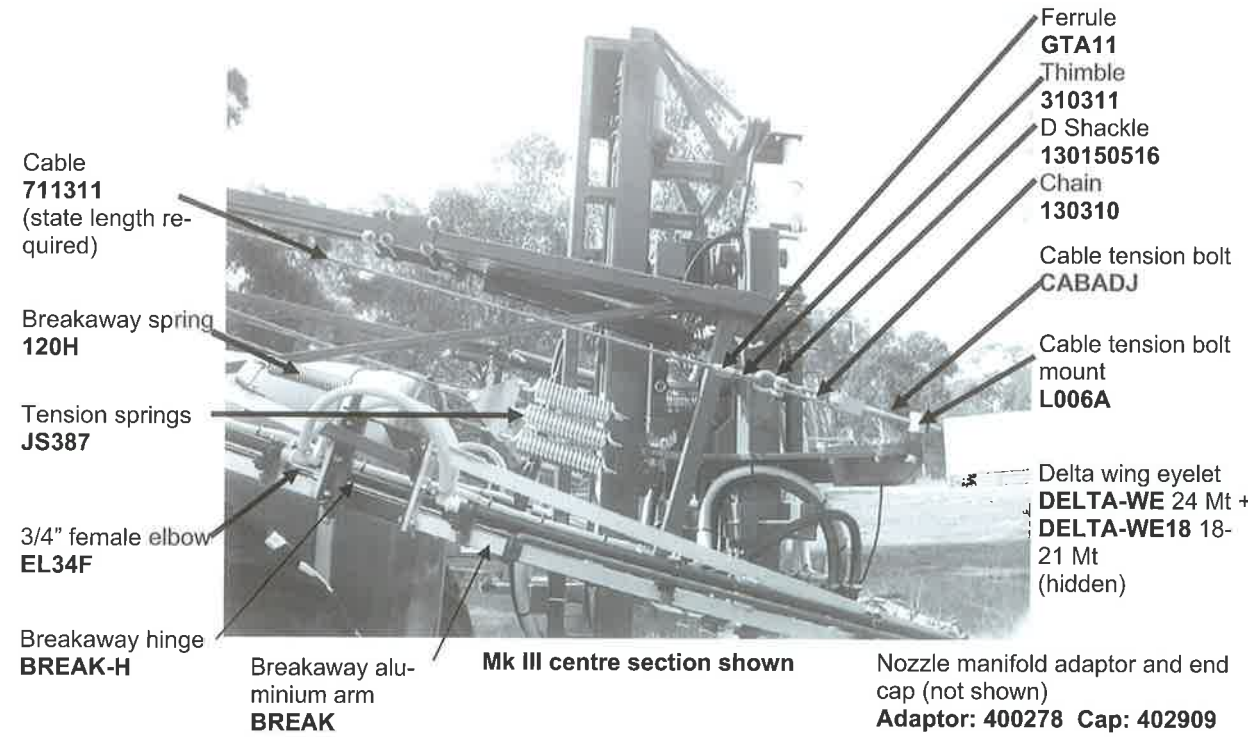
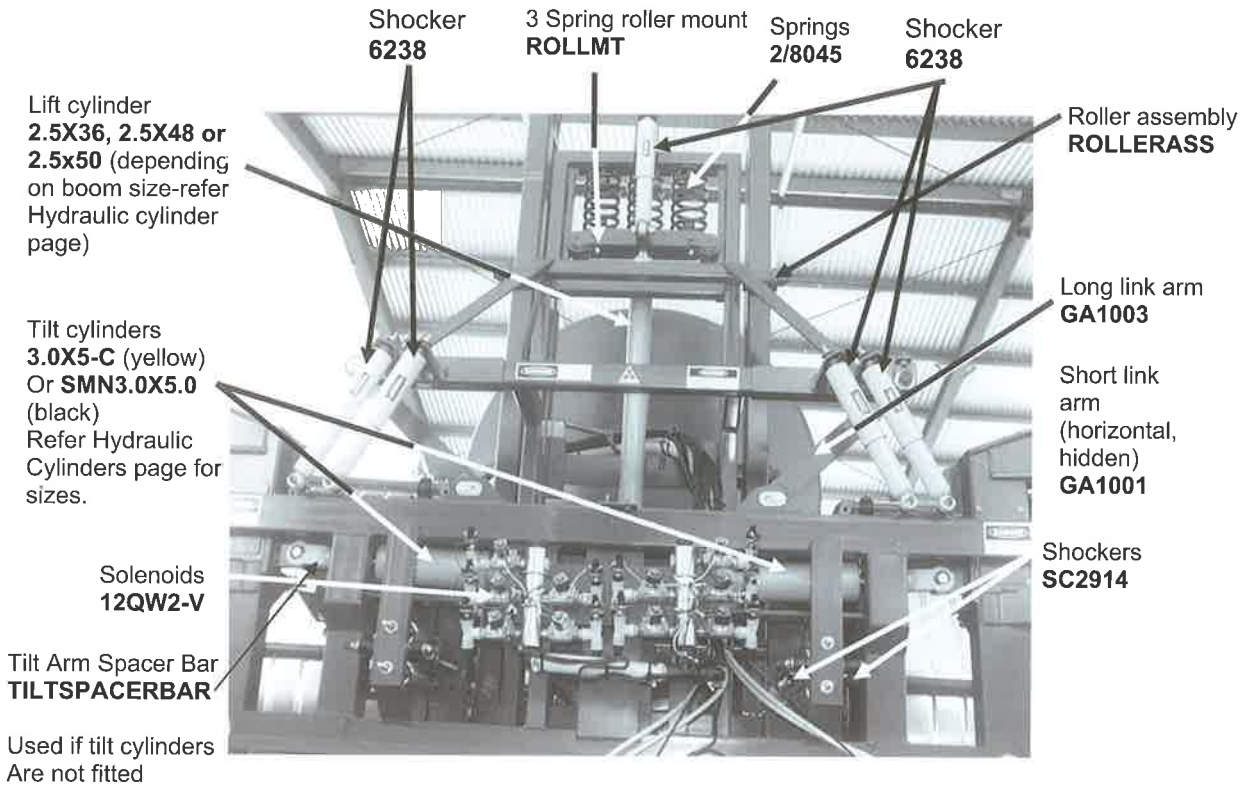
COM200 200 Lt Compact sprayer
COM300 300 Lt Compact sprayer
COM400 400 Lt Compact sprayer
COM600 600 Lt Compact sprayer

200 Lt Tank—**TNK200**
300 Lt Tank—**TNK300**
400 Lt Tank—**TNK400**
600 Lt Tank—**TNK600**





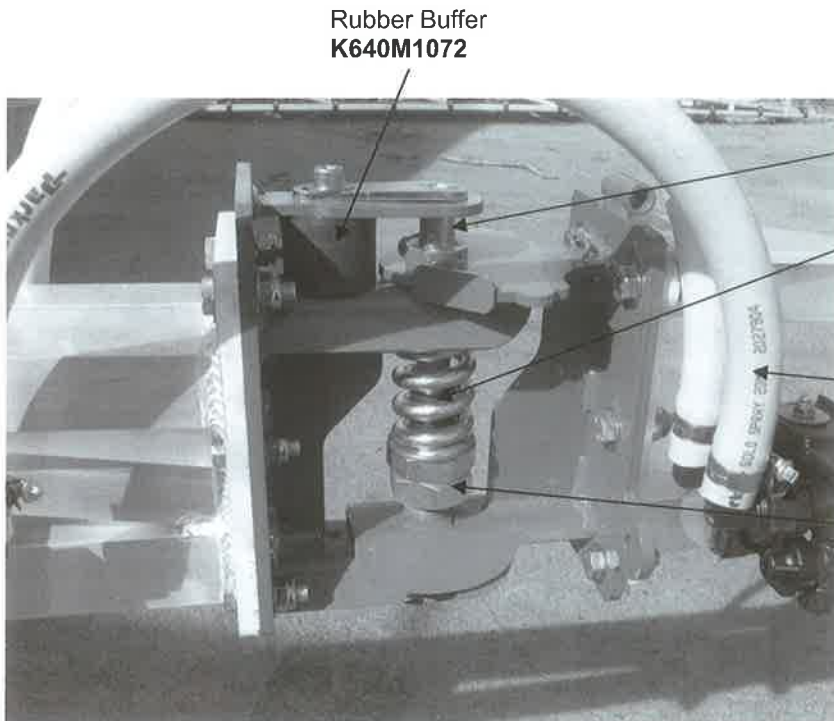
DELTA BOOM



Delta Boom



DELTA BOOM



Rubber Buffer
K640M1072

Breakaway hinge pin
BH-MK2-Subassem-03

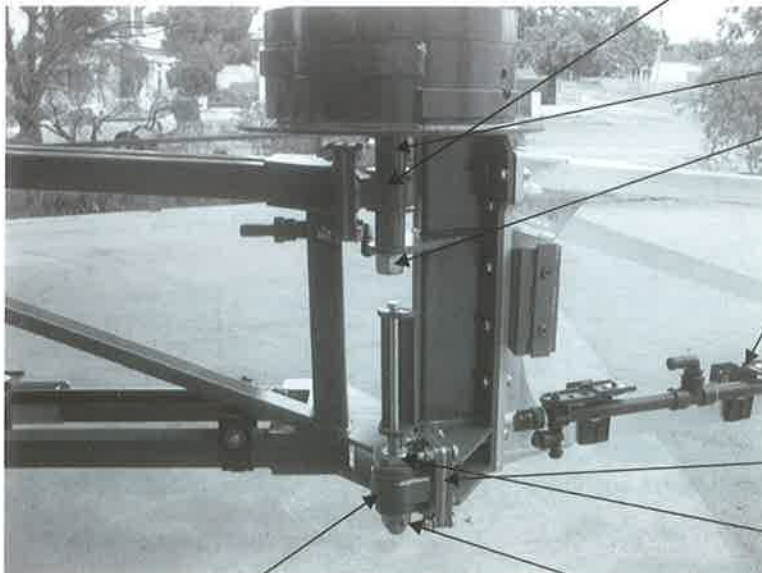
Breakaway spring
Suit current style breakaway
(mid 2004)
Z4025

3/4" Pressure hose
HOS20P
3/4" Female elbow
EL34F

Lock nuts
LOCKM11/4

Current break away hinge assy (above)
BREAKH

Current cable drum assy suit 24 Mtr and above
Pictured below **CABDRUM24**



Top Hinge Block
DB-ADJ-01PRO

1" x 8" UNF Bolt
M1X8UNC
1" UNF Nyloc Nut
NN1

Nozzle bracket suit 50 mm
NOZBK2 (Refer Nozzle Brackets page for other sizes avail)

Female 3/4 tee **TT34**
End cap **402909**
3/4 Adapter **400278**

Shim Plates
DB-ADJ-16LAS

1" x 4.5" UNF Bolt
M1X4.5UNF

1" UNF Nyloc Nut
NN1

Bottom Hinge Block
DB-ADJ-02



DELTA BOOM

Aluminium outer wing

- 24MTOB** - 24 Metre outer boom wing
- 28MTOB** - 28 Metre outer boom wing
- 30MTOB** - 30 Metre outer boom wing
- 33MTOB** - 33 Metre outer boom wing
- 36MTOB** - 36 Metre outer boom wing

Steel Inner boom wing

- 24MTIW** - 24 Metre inner boom wing
- 28MTIW** - 28 Metre inner boom wing
- 30MTIW** - 30 Metre inner boom wing
- 33MTIW** - 33 Metre inner boom wing
- 36MTIW** - 36 Metre inner boom wing

Note when ordering aluminium outer boom wings please measure wing from end to end.





DELTA BOOM

Special Wing Pictured

18 Metre Inner Boom Wing **18MTIW**
 20 Metre Inner Boom Wing **20MTIW**
 21 Metre Inner Boom Wing **21MTIW**
 24 Metre Inner Boom Wing **24MTIW**

Outer Boom Wing **18MTOB**
 Outer Boom Wing **20MTOB**
 Outer Boom Wing **21MTOB**
 Outer Boom Wing **24MTOB**



Cable drum suit all Specials up to 24 Mtr

CABDRUM18
 1" x 5.5" UNF Bolt
M1X5.5UNF

1" UNF Nyloc Nut
NN1UNF (same on Bottom Bolt)
 1" x 4.5" UNF Bolt
M1X4.5UNF

Foam generator
FGEN
 3/4 Pressure Hose
HOS20P

Springs
2/8045

2 Spring Roller Mount
ROLLMT2

Rotating Beacon
B20-00



Link Pins
S3549 (100mm x 1")

Link Arm
GA1003

Shockers
15-3137

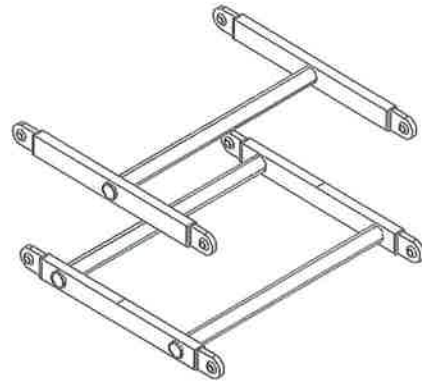
Cable Tension Mount
L006A

Oversize Sign
GSIGNFRONT

Hydraulic Lift cylinder 2.5" x 36"
G0300-04A

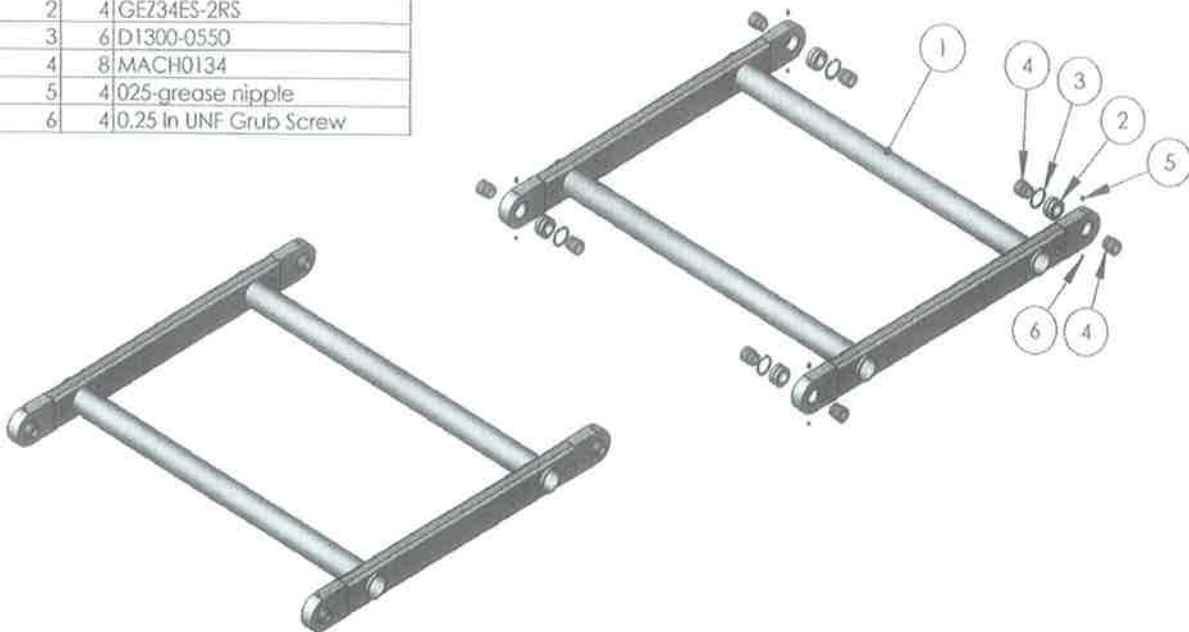


PARALIFT BOOMS



Pins to suit weld on ends 1 1/8" **PIN-118-115**
 Cylinder used **03-300-508-00547**
 Displacement 3" x 2.5" x 20" spherical ends
 Pins to suit **PIN-1-110**

ITEM NO.	QTY.	PART NO.
1	1	PLR-subassem-04
2	4	GEZ34ES-2RS
3	6	D1300-0550
4	8	MACH0134
5	4	025-grease nipple
6	4	0.25 In UNF Grub Screw



Delta Boom



RUBBER STOPPER AND HOLDER

The stopper holder houses the rubber stopper that prevents the outer boom wing from hitting the inner boom wing. Otherwise damage to both the boom and the nozzles will occur. Always make sure that the stopper holder is positioned such that the outer wing will always hit the rubber stopper and not the inner wing. The outer wing may tend to hang lower after awhile and the stopper holder may need to be moved in order to compensate for this. The stopper holder can be unbolted and then bolted to a different part of the inner boom wing.



POSITION NO.	DESCRIPTION	TO SUIT RHS	PART NO.
1	Stopper Holder Pre 2004	35 x 35 50 x 50	STOPHOLD-35 STOPHOLD-50
2	Rubber Stopper		RUBSTOP



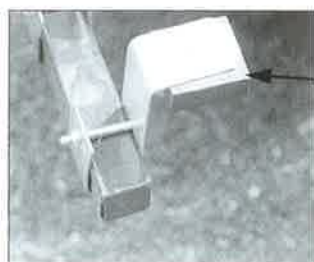
Current March 2004
Boom rubber stopper **M5052**

BOOM COUNTERWEIGHT

BOOM BALANCE

The Delta boom is designed so that it balances level with respect to the sprayer. If one side is heavier than the other, the boom will tend to hang lower on the heavy side. Hence both sides need to be balanced for the boom ends to be of the same height. To achieve this a boom counterweight is included on the boom and placed strategically so that it compensates and balances the boom (usually placed on the opposite boom side to the fenceline jet to compensate for its weight).

If the boom is not balanced (such that the height of the boom ends is different), the counterweight can be moved or more weight added to the counterweight until the boom is balanced. More weight can be added to the counterweight by unbolting the bolt that holds the weight to the adjustable bracket, increasing the weight and then replacing the bolt (or a longer one may be required) so that the weight is securely fastened to its bracket. Adding more weight to the counterweight will cause the side of the boom with the counterweight to hang lower (and the other side to rise higher). The counterweight is mounted on an adjustable bracket which can be unbolted and then bolted to a different part of the boom wing. If the counterweight is moved along the boom wing towards the centre of the boom, it will cause the boom side with the counterweight to rise higher (and the other side to hang lower).



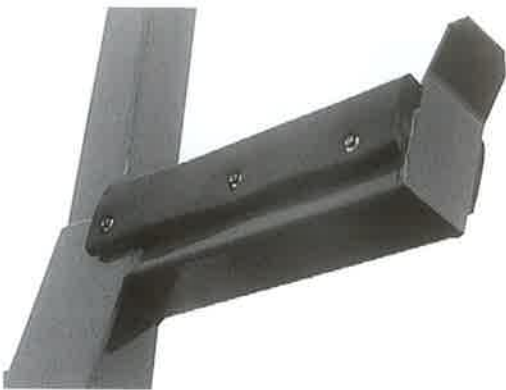
Boom Counter Weight **BOOMWT**



RUBBER BOOM REST



350mm boom rest (To suit 75 RHS)	2022
450mm boom rest	2022/1
550mm boom rest	2022/2



Rubber boom rest fitted to sprayer.

RUBBER BUFFER



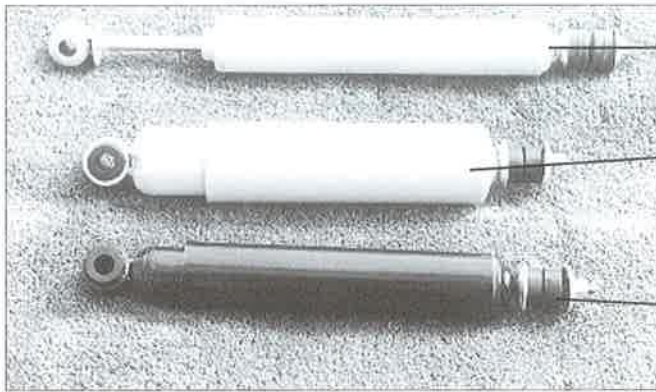
Rubber buffer with bolt 30 Mt boom
M190



Rubber bump stop
2158
(old P/N BIS003)



SHOCK ABSORBERS

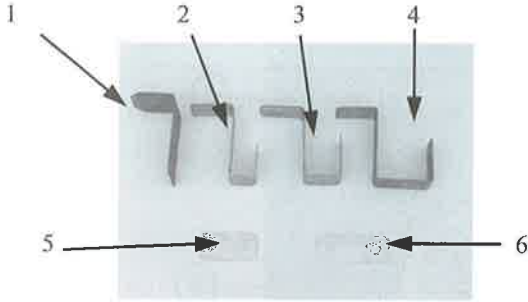


POSITION NO.	PART NO.	DESCRIPTION	TO SUIT
1	15-3137	Double acting gas hydraulic shock absorber	Delta boom roll suspension (20m and below) and all Delta boom pitch suspension and trailing booms
2	6238	Double acting hydraulic shock absorber	Delta boom (24m and above) roll suspension
3	SC2914	Steering Dampener	Delta boom yaw suspension
Ref pg 185		Double acting hydraulic shock absorber	Ground glider shock absorber



NOZZLE BRACKETS

Made of stainless steel to suit varying RHS sizes as shown.



TANK BRACKETS

Tank stop bracket



7
(Bracket for left and right side.)

POS. NO.	DESCRIPTION	TO SUIT RHS	PART NO.
1	Plain weld-on		BRKNZ-W
2	Outer wing delta	35 x 35	F70248A
3	Inner wing delta	50 x 50	F70246A
4	Centre section delta	75 x 50	F70256A
	Folding boom wing	50 x 20	BRKNZ3
	Folding boom centre	50 x 75	BRKNZ4
5	Offset Nozzle	40 x 80	BRKNZ-OS
6	Fence Line	105 x 40	BRKNZ-FL
7	Tank stop bracket		BRK-TSL (left) BRK-TSR (right)
	Aluminium outer wing	40 x 40	F70247A
	Aluminium dual boom	40 x 40	F70250A
	Dual boom outer wing	35 x 35	F70249A
	Dual boom	50 x 50	F70251A
	36 Mt Dual boom (holes in line)	50 x 50	F70259A
	36 Mt Dual boom (holes in line)	35 x 35	F70260A

ADJUSTABLE NOZZLE BRACKET

- Suits 40x40 RHS & 50x50 RHS
- Adjustable vertical height
- Accommodates single and dual plumbing
- Suits a variety of nozzle bodies and tips
- Glass filled polypropylene UV stabilized



NOZBK1 Single line nozzle bracket to suit 40mm RHS



NOZBK2 Single line nozzle bracket to suit 50mm RHS



NOZBK3 Dual line nozzle bracket to suit 40mm RHS



NOZBK4 Dual line nozzle bracket to suit 50mm RHS



NOZBK5 Dual off-set line nozzle bracket to suit 40mm RHS



NOZBK6 Dual off-set line nozzle bracket to suit 50mm RHS



BRK-U Main nozzle bracket, fits 50mm



COMP0318 Nozzle bracket adapter. Adapts the standard 50mm bracket to 40mm RHS. Sold in pairs



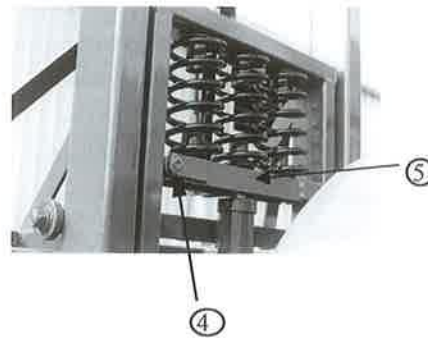
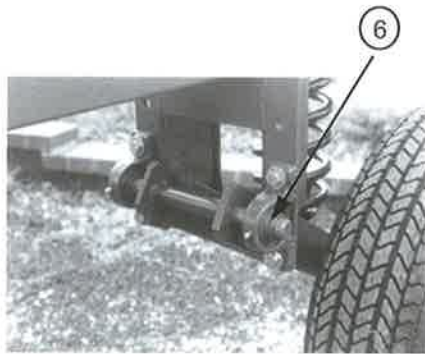
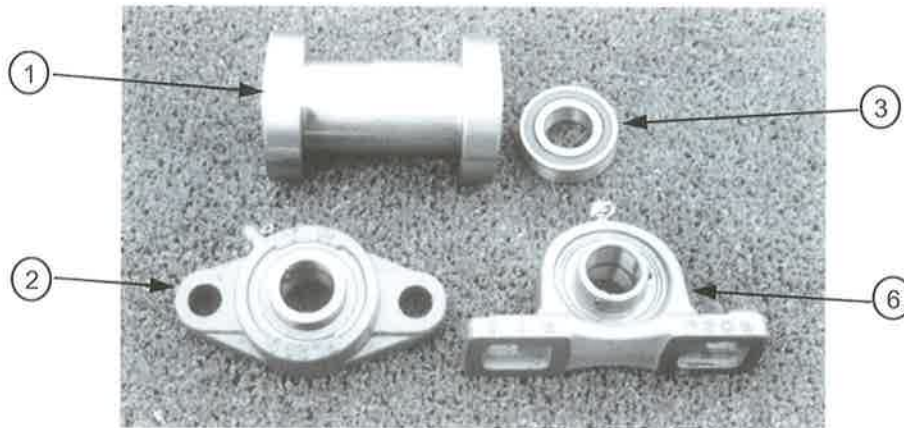
BRK-L Nozzle bracket extension



BRK-FLAT Dual boom nozzle bracket extension



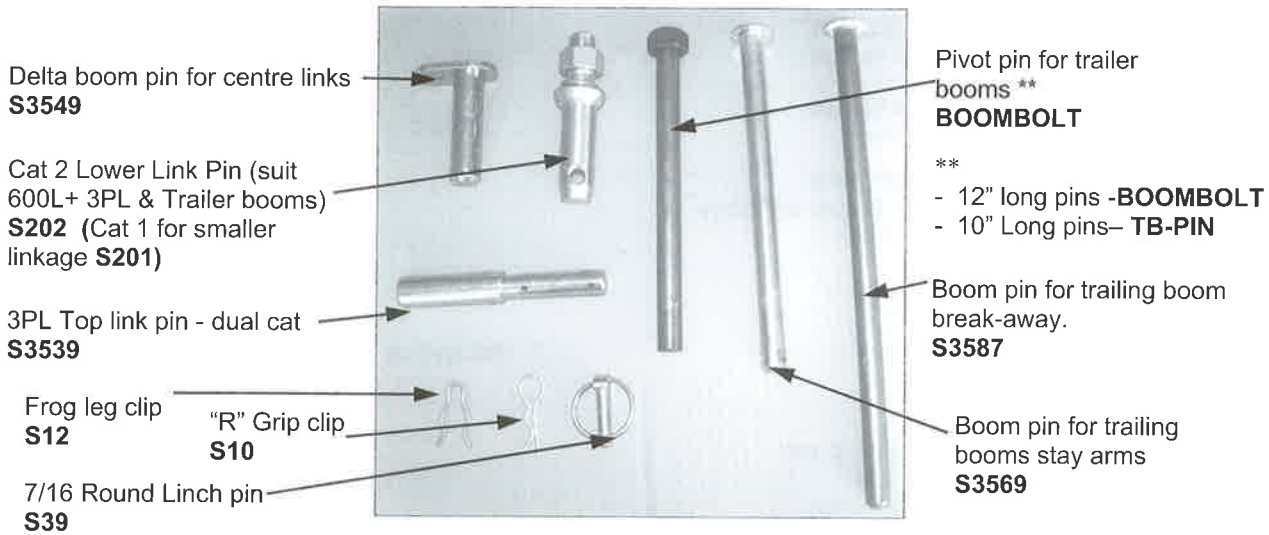
BEARINGS AND ROLLERS



POSITION NO.	DESCRIPTION	PART NO.
1	1" Roller for delta boom 6205	ROLLER1
	1 1/8" Roller for delta boom R18	ROLLER2
	30mm Roller for delta boom 6006	ROLLER3
2	2 hole flange bearing for self leveller cross over booms	UCFL205
3	Sealed bearing for Delta mast roller	6205-2RS
4	Roller for Delta mast triple spring support 6006	LO10M-EX
5	Three spring roller mount	ROLLMT
	Two spring roller mount	ROLLMT2
	One spring roller mount	ROLLMT1
6	1" pillow block bearing for Director Fan Shaft	UCP205-16

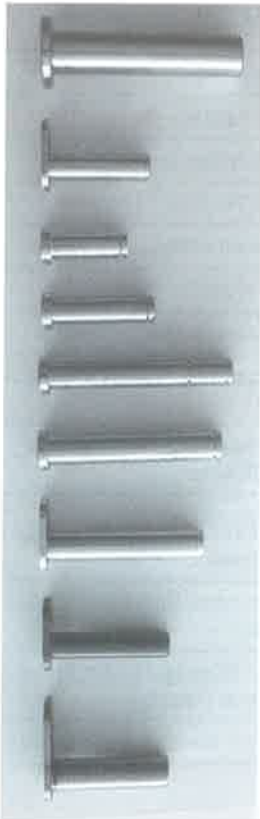


ATTACHMENT PINS



CATEGORY	DIMENSIONS TOP LINK	DIMENSIONS LOWER LINK
Cat 1	3/4" 19mm	7/8" 22mm
Cat 2	1" 25mm	1 1/8" 28mm
Cat 3	1 1/4" 32mm	1 7/16" 36mm

DELTA BOOM PINS



PCH-019MACH 190mm x 40mm Main chassis pin

S3549 100mm x 1" pin

L054A 80mm x 1" Tilt ram pin

L001A 105mm x 1" Ram pin

L002A 180mm x 1" Boom pin

L003A 170mm x 11/8" Boom pin

PIN-118-115 150mm x 11/8" Paralift arm pin

PIN-1-110 110mm x 1" Paralift bottom pin

PIN-30-110 115mm x 30mm Spring roller pin.

24mm circlip suit L003A pin **54024004**

19mm circlip suit L001A & L002A pins **54019004**



Delta Boom



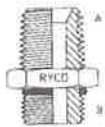
HYDRAULIC CYLINDER FITTINGS



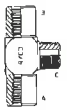
BITELOCK CRIMP COUPLINGS
T02-6 1/2" BSPP Female
 (Hydraulic lift)
T02-2 1/4" BSPP Female
 (Hydraulic fold)



BITELOCK CRIMP COUPLINGS
T05-1 1/4" BSPP Female 90° Elbow
 (Hydraulic fold)



ADAPTORS
S93-26 A 1/4" B 3/4"
 (Hydraulic fold)
S93-10 A 1/2" B 3/4"
 (Hydraulic lift)



ADAPTORS - TEES
S50-1 A 1/4" B 1/4" C 1/4"
 (Hydraulic fold -
 standard cylinders)



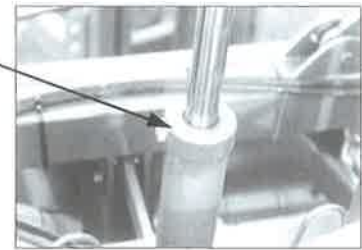
CYLINDER PORT BREATHER
PMBHF6 3/4" ORB (with O Ring)
 (Hydraulic lift)

S93-26

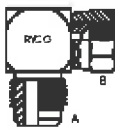
T05-1



PM-BHF-6



HYDRAULIC HOSE



S15



T201

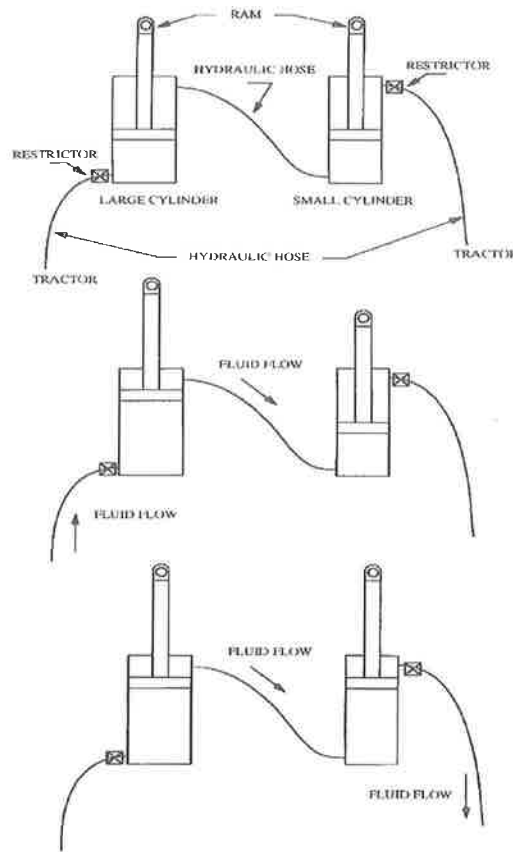


S25

Part Number	Length (metres)	Hose size	Coupling A	Coupling B	To suit:
HL01/GA	11.7	1/4"	S25-0404	S01-0404	18—21 Mt fold
HL03/GA	7.8	1/2"	S01-0808	S15-0808	18—21 Mt mast fold
HL04/GA	12.28	1/4"	S25-0404	S01-0404	24 Mt + fold
HL06/GA	8.23	1/4"	S01-0404	S01-0404	24 Mt + mast
HL07/GA	0.90	1/4"	S01-0404	S01-0404	Old hydraulic jack
HL08/GA	1.1	1/2"	S15-0808	S15-0808	Hydraulic drive
HL09/GA	0.30	1/2"	S15-0808	S01-0808	Hydraulic drive
HL10/GA	3.75	1/4"	S01-0404	Nil	Case drain Director
HL11/GA	0.60	1/4"	T202-0404	T202-0404	Oil pressure gauge Director
HL12/GA	2.50	1/2"	T201-0808	T201-0808	Pressure hose Director control valve
HL13/GA	0.67	1/2"	T201-0808	T201-0808	Feed hose from valve to motor—Director
HL14/GA	4.60	1/2"	T201-0808	T201-0808	Mast close Director
HL15/GA	3.70	1/2"	T201-0808	T201-0808	Mast open Director
HL16/GA	2.25	3/4"	T202-1212	T202-1212	Return hose from control hose Director
HL17/GA	0.67	3/4"	T202-1212	T202-1212	Return from hyd motor to control valve Director
HL19/GA	3.1	1/4"	S15-0808	S15-0808	Junction hose all Delta booms



HYDRAULIC PHASING CYLINDERS



Lyco Hydraulic phasing cylinders (yellow or green)

PTE Hydraulic phasing cylinders (black)

Hydraulic Cylinders

For the raised side-fold Delta Booms, hydraulic phasing cylinders (rams) are used in the folding operation of the boom. This ensures that both sides of the boom are synchronised and thus open and close together so that the weight distribution is the same for both sides of the boom.

As hydraulic fluid enters one cylinder, it acts upon the first ram and causes it to move. This motion results in an amount of fluid entering a second cylinder which causes the second ram to move an equivalent distance.

There is a difference in the diameter of these two cylinders because the volume of hydraulic fluid transferred from the first cylinder to the second cylinder is the volume caused by the first ram moving, minus the volume of the actual enclosed first ram. Hence the diameter of the second cylinder will need to be smaller than that of the first cylinder for this volume of oil being transferred to produce the same motion for both rams.

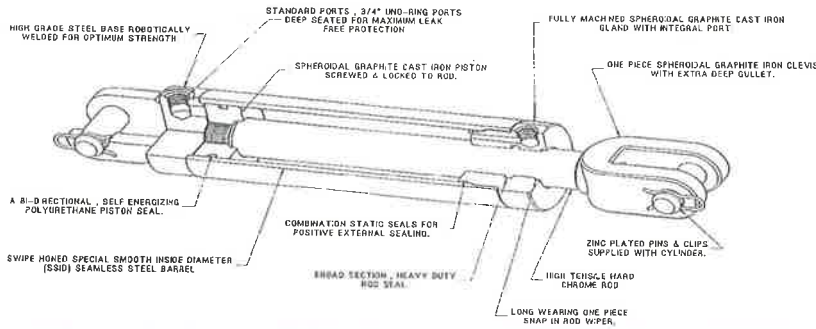
There is also a flow restriction for each ram so that the hydraulic fluid will enter and leave the respective cylinders at a controlled rate. This has the effect of slowing down the rate of fluid transfer and thus causes the boom to open and close more slowly.

RE-PHASING THE RAMS

If the sides of the boom do not fold together so that they become out of line, the hydraulic rams will need to be re-phased. To do this, depending on whether the boom is to be folded or unfolded, close the boom right up or open the boom right out and continue to hold the control lever in that position until the rams are synchronised. This may need to be done periodically.



HYDRAULIC CYLINDERS—LYCO

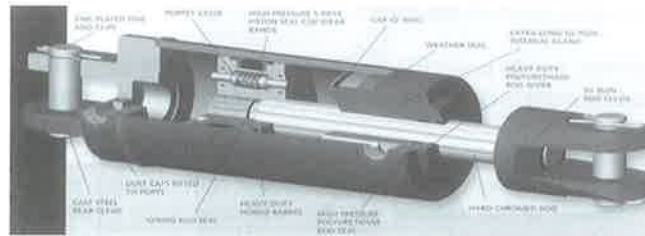


- Double acting or single acting.
- Clevis end or ball end.

When ordering repair kits please state left, right or lift cylinder. Also state if the cylinder is a Top Gun or OSW.

PART NO.	DESCRIPTION	TO SUIT:	REPAIR KIT NO.
2.5X16-C	2.5" Cylinder x 16" Stroke Clevis End	Hydraulic lift	102629
2.5X16-B	2.5" Cylinder x 16" Stroke Ball End	Hydraulic fold	PHAS-21/2
2.75X16-B	2.75" Cylinder x 16" Stroke Ball End	Hydraulic fold	PHAS-23/4
2.5X36-C	2.5" Cylinder x 36" Stroke Clevis End	Hydraulic lift	102629
3.0X4-C	3.0" Cylinder x 4" Stroke Clevis End	Hydraulic tilt (24M boom +) Mk I 3PL & pre 1995 sprayers	102630
3.0X5-C	3.0" Cylinder x 5" Stroke Clevis End	Hydraulic tilt Mk III up to 30 Mt	102630
2.5X3-C	2.5" Cylinder x 3" Stroke Clevis End	Hydraulic tilt (20M boom -)	102629
3.5X5	3.5" Cylinder x 5" Stroke Clevis End	Hydraulic tilt Mk II suit 33, 36 Mt booms & self propelled	
3.0X18	3.0" Cylinder x 18 Stroke	Hydraulic Fold	OSW106638
3.0X18	3.0" Cylinder Top Gun	Hydraulic Fold	106654
3.25x18	3.25" Cylinder x 18 Stroke	Hydraulic Fold	OSW106639
3.25X18	3.25" Cylinder Top Gun	Hydraulic Fold	106655
2.5X36	2.5" Cylinder Displacement Clevis End	Hydraulic lift suit up to 24 Mt	107300
2.5X48	2.5" Cylinder Displacement Clevis End	Hydraulic lift 24 Mt +	107300

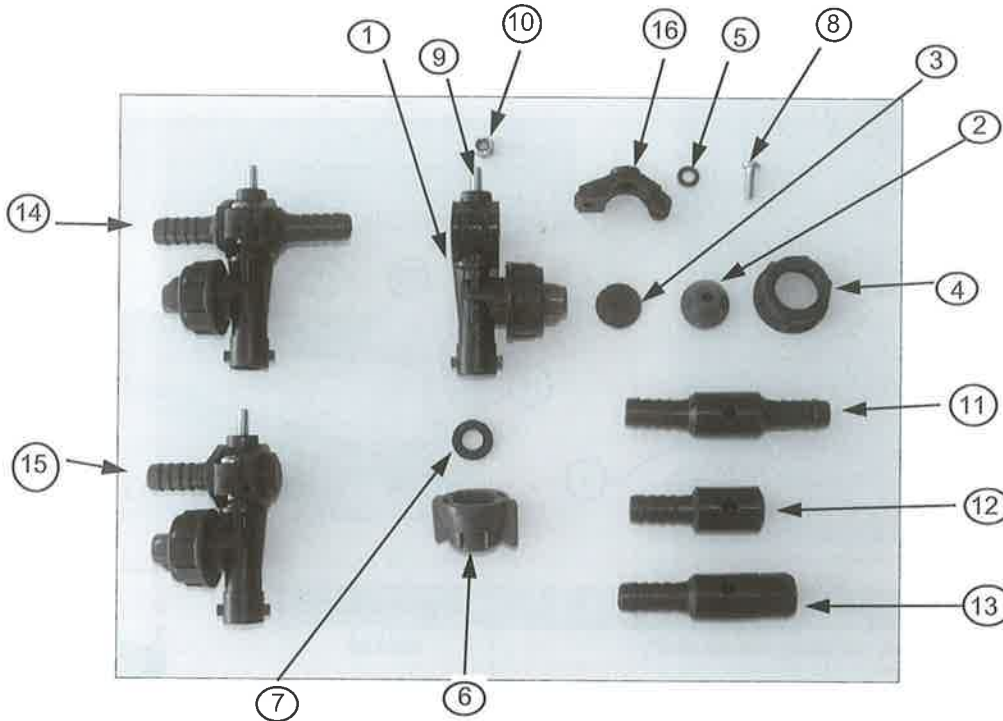
HYDRAULIC CYLINDERS—PTE



PART NO.	DESCRIPTION	TO SUIT:	REPAIR KIT NO.
G0300-03A	3.25" Cylinder x 18" Stroke 1.25" Rod	Hydraulic fold	SKSLP325-1.25
G0300-02A	3.0" Cylinder x 18" Stroke 1.25" Rod	Hydraulic fold	SKSLP300-1.25
G0300-04A	2.5" Cylinder x 36" Stroke 2" Rod	Hydraulic lift	SKG0300-04A
G0300-06	2.5" Cylinder x 48" Stroke 2" Rod	Hydraulic lift	SKG0300-04A
SLMN3.0X5.0	3.0" Cylinder x 5" Stroke 1.5" Rod	Hydraulic tilt Mk III up to 30 Mt	SKSLM300-1.5
G0300-08	2.5" Cylinder x 50" Stroke Tele design	Hydraulic lift	SKG0300-08
G0300-13	2.5" Bore x 20" STR Cylinder	Para lift	SKG0300-04A
G0300-17	2" x 10" SLMSP Cylinder	Bi-Fold	SKSLM200-1.0



**DRY BOOM NOZZLE BODIES (ARAG)
1994 - 2003 GOLDACRES SPRAYERS**



ITEM	DESCRIPTION	PART NUMBER
1	Quick Coupling Uni-Jet (1/2")	402735
2	Non-Drip Check Valve	005860.030
3	Non-Drip Check Valve Diaphragm	005860036
4	Fly Nut (3/4")	200030
5	O-Ring for Jet Hole	400020.030
6	Cap	402901
7	Seal	402200040
8	Self-Threading Screw	V2B25F
9	15 x 6 Bolt	M15X6
10	6mm Nyloc Nut	NN6
11	T - Nozzle Manifold (In-line)	427213
12	L - Nozzle Manifold (End)	426213
13	Threaded Manifold	428213
14	T - Nozzle Body (less cap & seal)	402735A-T
15	L - Nozzle Body (less cap & seal)	402735A-L
16	Manifold hinge	400530.020

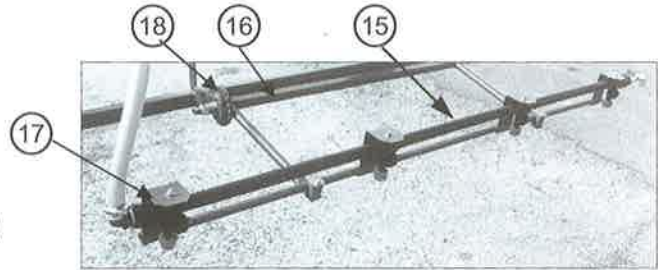
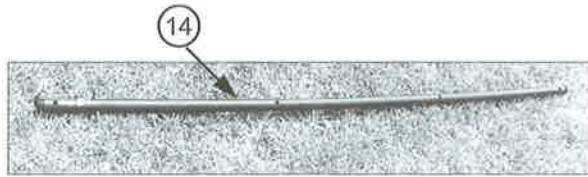
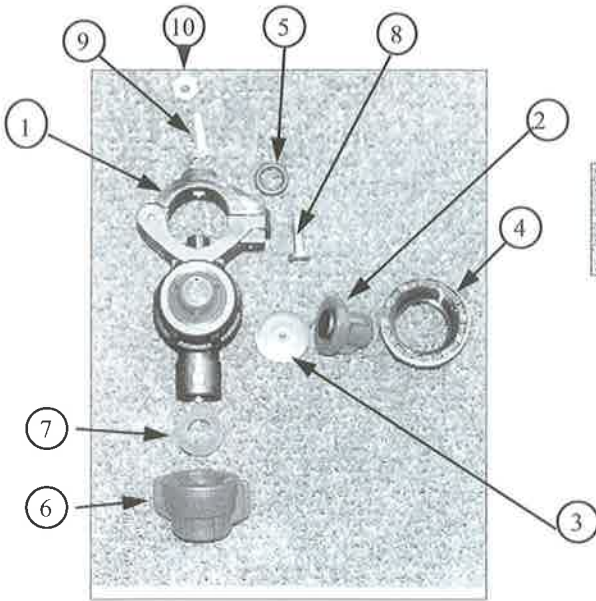
Handy Hints



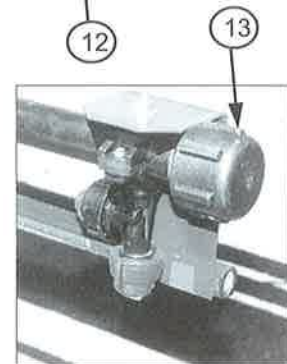
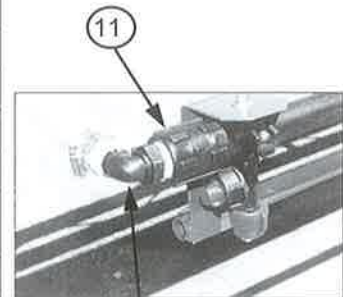
Please note:
Fly nut 3/4" 200030
can be interchanged
with Udor 3/4" pres-
sure nut 1049



WET BOOM NOZZLE BODIES (ARAG)



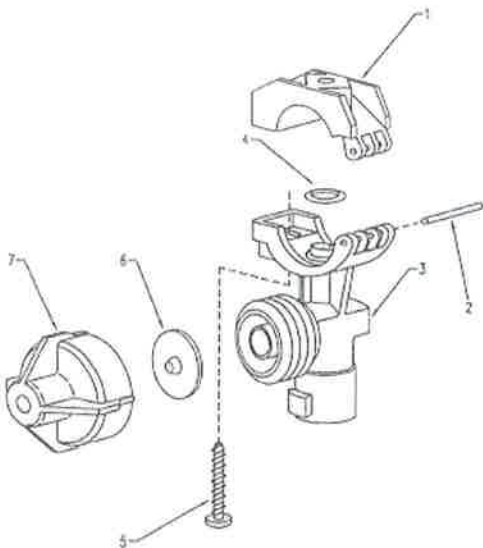
ITEM	DESCRIPTION	PART NUMBER
1	Quick Coupling Uni-Jet (3/4")	402755
2	Non-Drip Check Valve	005860.030
3	Non-Drip Check Valve Diaphragm	005860036
4	Fly Nut (3/4")	200030
5	O-Ring for Jet Hole	400040.030
6	Cap	402900
7	Seal	402200040
8	Self-Threading Screw	V2B2SF
9	15 x 6 Bolt	M15X6
10	6mm Nyloc Nut	NN6
11	3/4" Pipe Socket	CPLG075
12	3/4" Thread Hose Barb Elbow 3/4" Thread Hose Barb	EL34 A34
13	3/4" Pipe Cap	CAP075
14	3-Nozzle Manifold (Bare & Drilled) 4-Nozzle Manifold (Bare & Drilled) 5-Nozzle Manifold (Bare & Drilled) 6-Nozzle Manifold (Bare & Drilled) 7-Nozzle Manifold (Bare & Drilled)	RT20MM1200 RT20MM1600 RT20MM2100 RT20MM2600 RT20MM3100
15	4-Nozzle Manifold Complete (less tips & Strainers) 5-Nozzle Manifold Complete (less tips & Strainers) 6-Nozzle Manifold Complete (less tips & Strainers) 7-Nozzle Manifold Complete (less tips & Strainers)	4-NOZWB 5-NOZWB 6-NOZWB 7-NOZWB
16	Trailer boom jet arm	TB*A
17	Trailer boom jet bracket	TB*B
18	Clacker plate (serrated plate)	CLACK



Nozzle Bodies



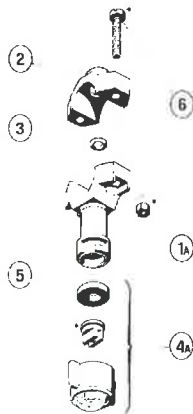
TEEJET QJ17560A-3/4-NYB NOZZLE BODY



ITEM	PART NO.	DESCRIPTION
1	CP48225-NYB	Upper Clamp, 1/2", Nylon (Black)
	CP48221-NYB	Upper Clamp, 3/4", Nylon (Black)
	CP48222-NYB	Upper Clamp, 1", Nylon (Black)
	CP48220-NYB	Upper Clamp, 20mm, Nylon (Black)
	CP48224-NYB	Upper Clamp, 25mm, Nylon (Black)
2	CP48256-SS	Pivot Pin, Stainless Steel
	CP48496-NYB	Body, 1/2", Nylon (Black)
3	CP48498-NYB	Body, 3/4", Nylon (Black) (for 3/4" and 25mm versions)
	CP48499-NYB	Body, 1", Nylon (Black)
	CP48497-NYB	Body, 20mm, Nylon (Black)
4	CP7717-2-110-BU	O-Ring, Buna-N
	CP7717-2-110-VI	O-Ring, Viton
5	CP48255-1-1/4-302SS	Screw, Stainless Steel
6	CP21953-EPR	Diaphragm, EPDM
	CP21953-VI	Diaphragm, Viton
7	21950-10-NYB	End Cap Sub-Ass'y, Nylon (Black)

No. QJ17560A-1/2-NYB(-VI) - Hinged Nozzle Body Assembly
 No. QJ17560A-3/4-NYB(-VI) - Hinged Nozzle Body Assembly
 No. QJ17560A-1-NYB(-VI) - Hinged Nozzle Body Assembly
 No. QJ17560A-20mm-NYB(-VI) - Hinged Nozzle Body Assembly
 No. QJ17560A-25mm-NYB(-VI) - Hinged Nozzle Body Assembly
 Note: -VI in part number specifies Viton material for parts #4 and 6

ARAG NOZZLE BODIES (OLD STYLE) WITHOUT NON-DRIP



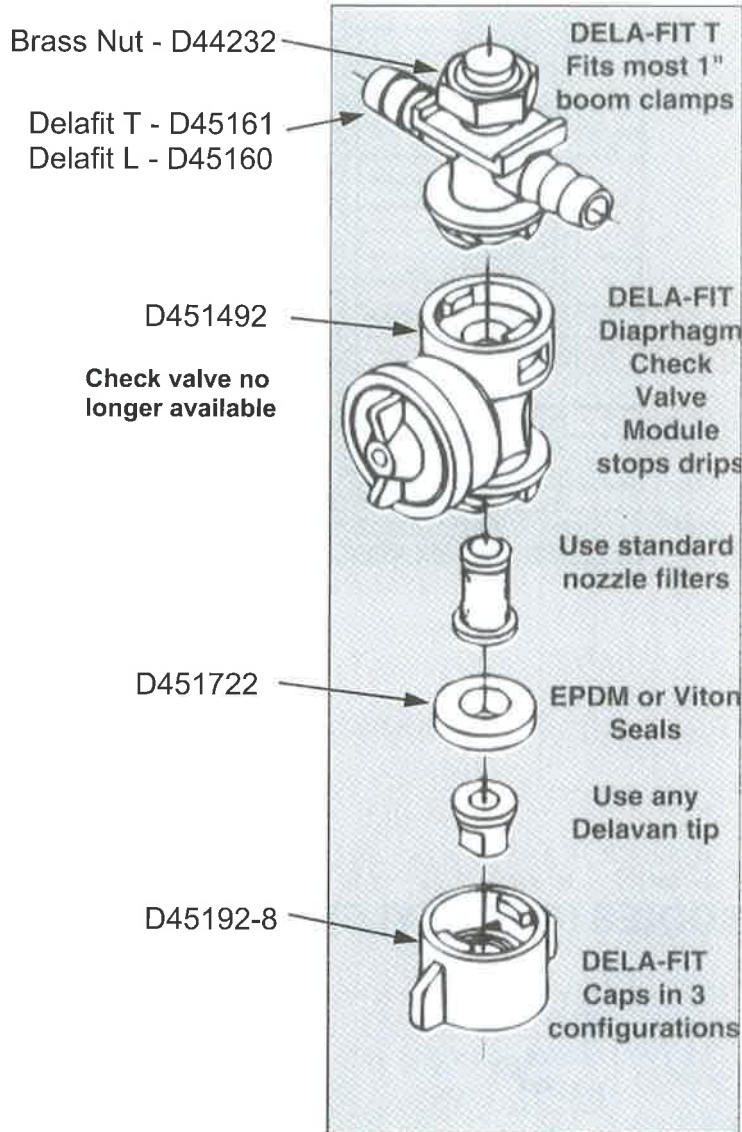
ITEM NO.	DESCRIPTION
1A	Quick coupling jet body/pipe 1/2"
2	Jet clamp
3	O ring for jet hole
4A	Cap
5	Seat
6	Screw and nut kit
	In-line (T) nozzle body without non-drip
	End (L) nozzle body without non-drip

PARTS NO LONGER AVAILABLE - NOZZLE BODIES MUST BE REPLACED WITH CURRENT MODEL

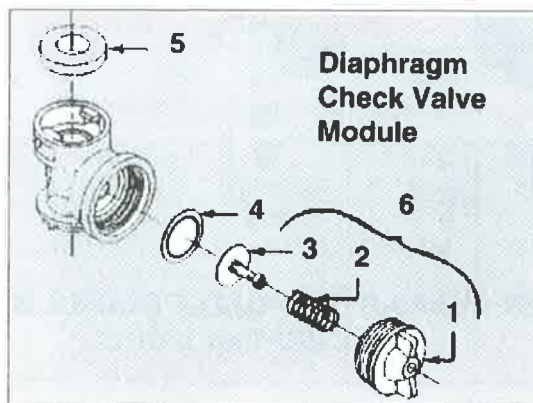
Nozzle Bodies



DELEVAN NOZZLE BODIES GOLDACRES SPRAYERS TO APPROX. 1986

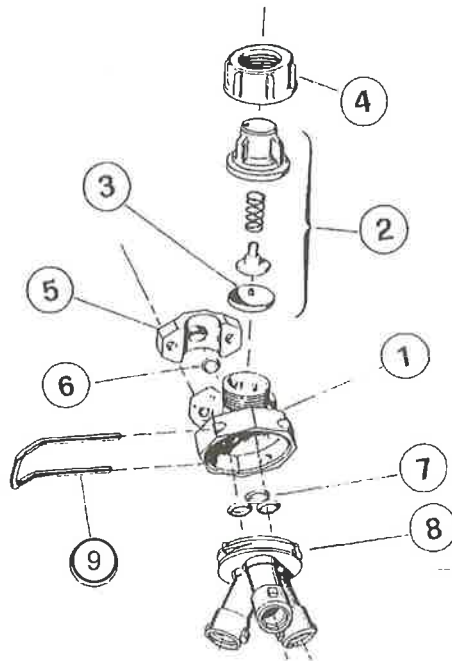


It is advisable to replace Delevan nozzle bodies with TeeJet or Arag nozzle bodies.





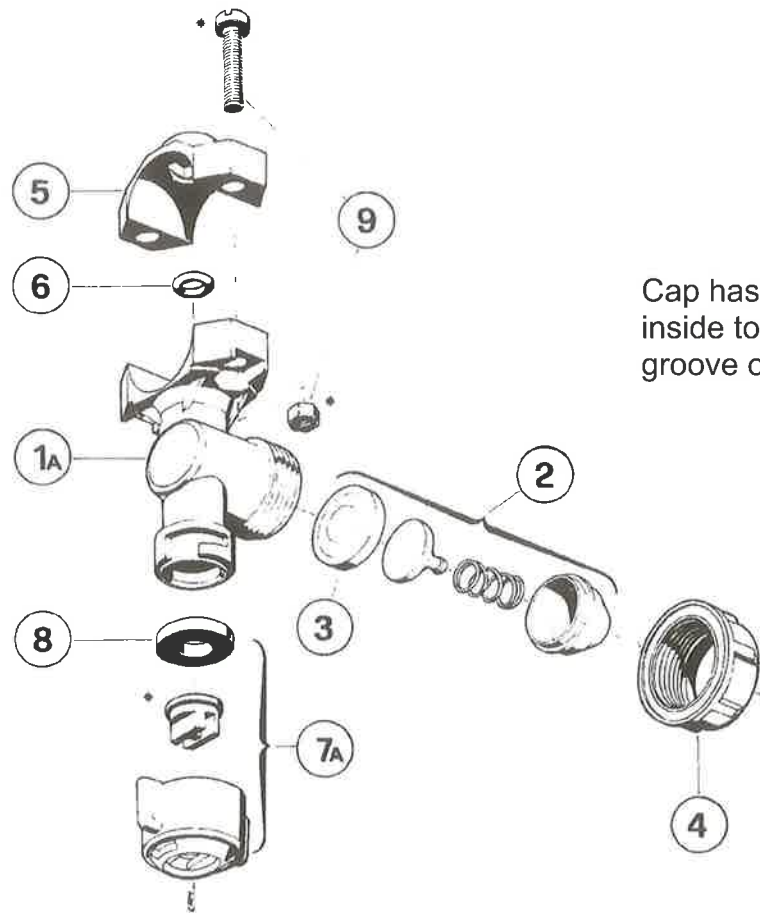
ARAG TRIJET BODY WITH DCV GOLDACRES SPRAYERS APPROX. PRE 1997



ITEM NO.	DESCRIPTION	PART NO.
1	Tri-Jet body (1/2")	4012035.010
2	Non-drip check valve	005860.030
3	Non-drip check valve diaphragm	005860036
4	Fly nut (3/4")	200030
5	Clamp (1/2")	400030.020
6	O-ring for jet hole	400020.030
7	O-ring for Tri-jet nozzle holder	004500.090
8	Quick coupling Tri-jet nozzle holder	4012200.020
9	Tri-jet fork lock	401000.080
	Arag Tri-jet Body with DCV	4012235
	Arag Tri-jet Body with DCV with T manifold	4012235A-T
	Arag Tri-jet Body with DCV with L manifold	4012235A-L



SUPERCEDED ARAG MODEL NOZZLE BODIES GOLDACRES SPRAYERS FROM 1986 - 1994 (APPROX.)



Cap has lug on
inside to suit
groove on body

ITEM	DESCRIPTION
1A	Quick Coupling Uni-get Body/pipe 1/2" F10
2	0.5 bar anti drip set
2	1 bar anti drip set
3	Anti-drip Diaphragm in EPDM
4	3/4" Fly Nut
5	1/2" Jet Clamp
6	O-ring for Jet Hole 7 D. 6x2.5
6	O-ring for Jet Hole 10 D. 9.1x2.6
7A	Cap
8	Seal
9	Screw and Nut Kit

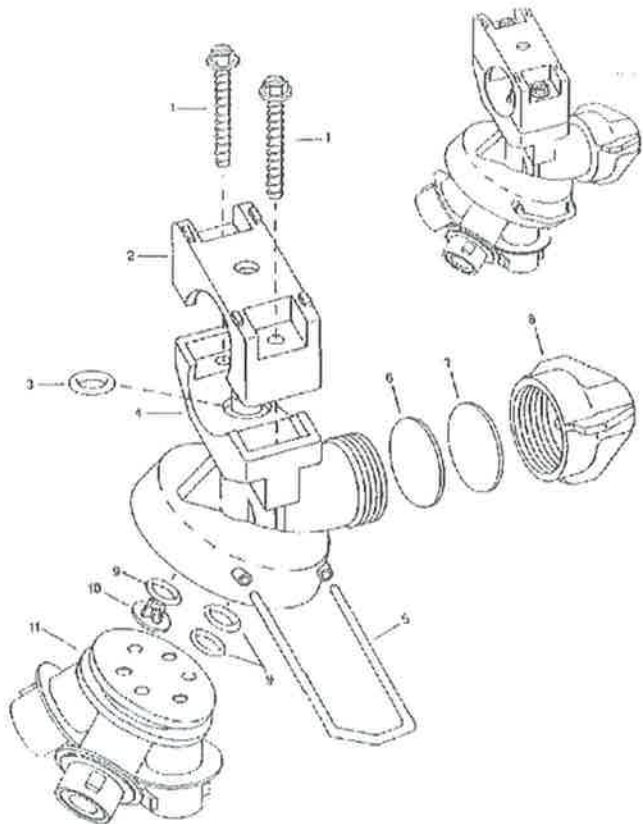
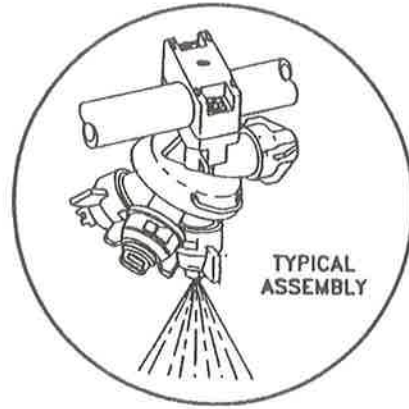
**PARTS NO LONGER AVAILABLE - NOZZLE BODIES MUST BE
REPLACED BY TEEJET OR ARAG NOZZLE BODIES**



QUICK TEEJET TRIPLE BODY GOLDACRES SPRAYERS APPROX. 1997 - CURRENT

FEATURES:

- * Quick hand indexing with choice of three different spray tips for easier changing of spray patterns or application rates.
- * Drip-free positive shut-off.
- * Shut-off position provided between any two spraying positions.
- * Fast and easy way to mount spray nozzles to a boom.
- * Made of corrosion resistant materials.
- * Maximum operating pressure - 150 psi (10 bar).
- * For use with Quick TeeJet caps, TeeJet strainers and TeeJet tips.



ITEM	PART NO	DESCRIPTION
1	CP20123-1-1/4-430SS	Screw type 430 stainless steel
2	CP24222-NYB	Upper clamp, nylon (black)
3	CP7717-2/110-BU	O Ring, Buna-N
4	CP24220-NYB	Main body with lower clamp, nylon (black)
5	CP24221-304SS	Clip, type 304 stainless steel
7	CP21953	Diaphragm, EPDM rubber
8	21950-10-NYB	Chemsaver end cap assembly, nylon (black)
9	CP7717-2/109EPR	O Ring, EPDM rubber (3 reqd)
10	CP24224-CE	Indexing button, celcon (grey)
11	24217-CE	Indexing plate sub assy, celcon (black)

QUICK TEEJET TRIPLE NOZZLE 3/4"

24216-3/4-NYB

Also available in 1/2"
Also available in 1"

24216-1/2-NYB
24216-1-NYB



HIGH PRESSURE ADJUSTABLE VINE NOZZLE



The high pressure adjustable vine nozzle has an adjustable spray pattern that can be altered by twisting the adjusting nut.

(To suit Vertical Vine Boom)
Maximum pressure: 5000 kpa

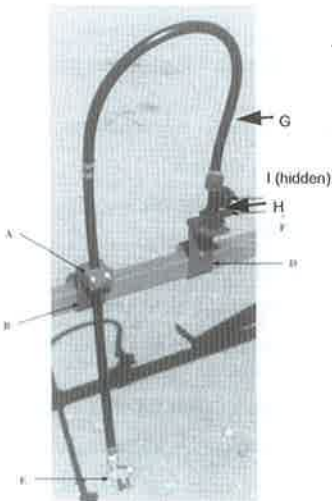
ADJUSTABLE VINE NOZZLE **002700**

Nozzle to suit - 1mm **002710**

Nozzle to suit - 1.5mm **002715**

GOLDACRES DROPPERS

The Goldacres dropper has been designed to provide excellent nozzle adjustment capability. Both horizontal and vertical adjustment is possible and the non-drip check valve serves to eliminate any wastage when spraying is finished. The dropper can be attached to any boom component.



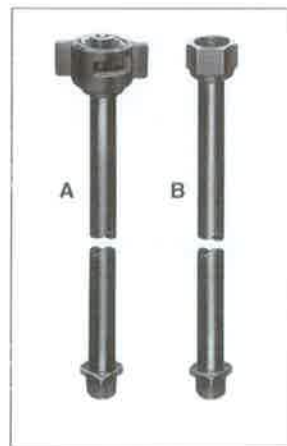
Droppers & single swivel **DROP1**
Droppers & double swivel **DROP2**

POSITION	DESCRIPTION
A	Nylon clamp for vertical height adjustment
B	Dropper bracket for horizontal adjustment
C	Non-drip check valve
D	Nozzle bracket
E	Single or double brass swivel
F	Nozzle body manifold (in-line or end)
G	Dropper hose
H	Quick fitting cap - round hole
I	1/2" flat seat swivel hose barb (hidden)

TeeJet® Hose Drops

Hose drops connect to standard and Quick TeeJet® nozzle bodies and can also be used with swivels. Available in 15" (380mm) and 24" (610mm). Maximum operating pressure 9 bar.

Item	Hose Drop No.	Length	Inlet Connection	Outlet Connection
A	21353-6-15-NYB	15"	Quick TeeJet Type	1/4" NPT (M)
	21353-6-24-NYB	24"		
B	21354-15-NYB	15"	1 1/8" - 16 TeeJet Thread	1/4" NPT (M)
	21354-24-NYB	24"		



Note: QJ1/4T-NYB can be attached to hose drops for use with Quick TeeJet® caps.



Material: Item A - Nylon with Quick TeeJet® cap and EPDM gasket.
Item B - Nylon throughout.



Quick TeeJet Caps

The Quick TeeJet® caps are designed with grooves that fit locating lugs on the nozzle body. Caps are made of nylon and are available for use with all TeeJet® spray tips. Maximum operating pressure of 20 bar. **These caps are only to be used with TeeJet nozzle bodies.**

Type	Part Number Quick TeeJet® Cap Only	Part Number Quick TeeJet® Cap & Seat Gasket Seat	For Use with Spray Tips
	CP25611-*-NY	25612-*-NYR	TeeJet® Flat Spray Tips (Smaller Capacities) Standard -0067 Thru -08 XR -01 Thru -08 DG -015 Thru -05
	CP25611-9-PP†	25612-9-PP	
	CP25609-*-NY	25610-*-NYR	TeeJet® Flat Spray Tips (Larger Capacities) Standard -10 Thru -20 XR -10 Thru -15
	CP25597-*-NY	25598-*-NYR	TJ TwinJet® No. TJ60...Spray Tip
	CP25599-*-NY	25600-*-NYR	Turbo FloodJet® VisiFlo® Spray Tip TK-VS FloodJet® VisiFlo® Spray Tip
	CP25607-*-NY	25608-*-NYR	TK FloodJet® FL FullJet® TX ConeJet® TG Full Cone®
	CP25607-9-PP†	25608-9-PP	
	CP25607-*-NY	-	**Used with Disc-Core Sprays (Insert Core into Seal)
	CP26277-1-NY**	26278-1-NYR**	Ceramic Disc-Core
	-	QJ4676**	Permits use of standard 1/8" and 1/4" nozzles. Can be used for mounting pressure gauge at the nozzle.
	-	QJ19840**	Provides three solid stream orifices of equal capacity.
	-	402909 19843-NYR**	Arag shut off cap. Provides shutoff at nozzle for quick spacing change or change in spray swath.
	D26586-Q5-7-NY**		Provides eight solid stream orifices of equal capacity.

CP23307 TeeJet cap Hardi retrofit suit XR & TT

* Specify colour-code (see chart).
** These Quick TeeJet caps available only in black.
† Polypropylene Quick TeeJet caps available only in grey.

Colour of Cap	Colour Code	Colour of Cap	Colour Code
Black	1	Green	5
White	2	Yellow	6
Red	3	Brown	7
Blue	4	Orange	8

TO ORDER: For cap and seat gasket set, specify set no. & colour code. Example: 25612-3-NYR
For cap only, specify part no. & colour-code. Example: CP25597-4-NY
For seat gasket, specify part no. Example: CP19438-EPR



Quick TeeJet

NOZZLE BODIES ORDERING INFORMATION

FOR DRY BOOMS

QJ100 Series Hose Shank Nozzle Bodies
(Less clamps)



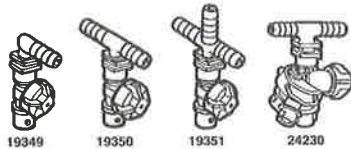
Part Number			To fit Hose I.D.
Single	Double	Triple	
18635111406NYB	18636112406NYB	18637-113-406NYB	3/8"
18638-111-540-NYB	18639-112-540NYB	18640-113-540NYB	1/2"
18719-111-785-NYB	18720-112-785-NYB	18721-113-785-NYB	3/4"

Vari-Spacing Clamps



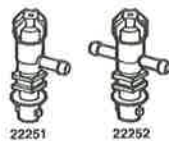
PART NO	TO CLAMP ON
QJ111-1/2	1/2" pipe (13/16" & 7/8" OD Tubings)
QJ1113/4	3/4" pipe (1" & 1 1/16" OD Tubings)
QJ111-1	1" pipe (1 1/8", 1 1/4", & 1 3/8" OD Tubings)
QJ111-11/4	1 1/4" pipe (1 9/16" & 1 11/16" OD Tubings)
QJ111SQ-3/4	3/4" Square Tubing (19mm)
QJ111SQ-1	1" Square Tubing (25mm)
QJ111SQ-11/4	1 1/4" Square Tubing (32mm)
QJ111SQ-11/2	1 1/2" Square Tubing (38mm)

QJ200 Series Hose Shank Diaphragm Check Valves (less clamps)



PART NUMBER			TO FIT HOSE I.D.
SINGLE	DOUBLE	TRIPLE	
19349-211-406-NYB	19350-212-406-NYB	19351-213-406-NYB	3/8"
19349-211-540-NYB	19350-212-540-NYB	19351-213-540-NYB	1/2"
24230-1-540 NYB	24230-2-540 NYB		1/2"
19349-211-785-NYB	19350-212-785-NYB	19351-213-785-NYB	3/4"
24230-1-785-NYB	24230-2-785-NYB		3/4"

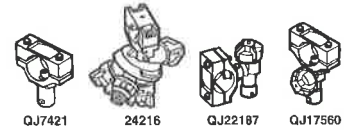
QJ300 Series Hose Shank Diaphragm Check Valves
Hi-Pressure Quick TeeJet Nozzle Body (up to 20 bar) - (less clamps)



PART NUMBER		TO FIT HOSE I.D.
SINGLE	DOUBLE	
22251-311-375-NYB	22252-312-375-NYB	3/8"
22251-311-500-NYB	22252-312-500-NYB	1/2"
22251-311-750-NYB	22252-312-750-NYB	3/4"

FOR WET BOOMS

Split Eyelets



PART NUMBER	PIPE CONNECTION
QJ17560-1/2-NYB	1/2" pipe
QJ17560-3/4-NYB	3/4" pipe
QJ17560-1-NYB	1" pipe
QJ7421-1/2-NYB	1/2" pipe
QJ7421-3/4-NYB	3/4" pipe
QJ7421-1-NYB	1" pipe
QJ22187-1/2-NYB	1/2" pipe
QJ22187-3/4-NYB	3/4" pipe
QJ22187-1-NYB	1" pipe
242161/2NYB	1/2" pipe
242163/4NYB	3/4" pipe
24216-1-NYB	1" pipe

All wet boom nozzle assemblies mount to a 9.5mm hole drilled in pipe or tubing.

Diaphragm Check Valves

Diaphragm Check Valve
Quick TeeJet Nozzle Body Assembly



PART NUMBER	PIPE CONNECTION
QJ8360-NYB	1/4" NPT (M)
QJ8355-1/8-NYB	1/8" NPT (F)
QJ83551/4NYB	1/4" NPT (M)

Nozzle Body

Quick TeeJet Nozzle Body



PART NUMBER	PIPE CONNECTION
QJ1/4TT-NYB	1/4" NPT (M)
QJ1/4T-NYB	1/4" NPT (F)
22674-1/4-NYB	1/4" NPT (M)

ADAPTERS FOR RETROFITTING



PART NUMBER	TO FIT
QJT-NYB	11/16" - 16 TeeJet Thread
QJT8360-NYB	11/16" - 16 TeeJet Thread



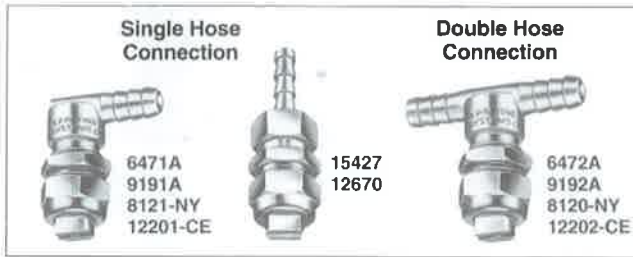
HOSE SHANK NOZZLE BODIES

FOR OPERATING PRESSURES UP TO 9 BAR

Brass, aluminium, stainless steel, nylon and Celcon/ stainless steel hose shank nozzle bodies.

TO ORDER:

To order body assembly only; specify hose shank assembly number. Example: 12202-CE-1062



Hose Shank Body Assembly No.		To Fit Hose I.D.	Material
Single Hose Shank	Double Hose Shank		
15427-296		1/4"	Brass
6471A-400TD	6472A-400TD	3/8"	
9191A-531TD	9192A-531TD	1/2"	
6471-ALEF-C400TD	6472-ALEF-C400TD	3/8"	Aluminum Electrofilmed
9191-ALEF-C531TD	9192-ALEF-C531TD	1/2"	
6471-SS-C400TD	6472-SS-C400TD	3/8"	Stainless Steel
9191-SS-C531TD	9192-SS-C531TD	1/2"	
8121-NYB-406TD	8120-NYB-406TD	3/8"	Nylon
8121-NYB-540TD	8120-NYB-540TD	1/2"	
12670-406TD		3/8"	
12201-CE-785TD	12202-CE-785TD	3/4"	Celcon Hose Shank Stainless Steel Threaded Outlet
12201-CE-1062TD	12202-CE-1062TD	1"	

Note: Spray tip not included.



CLAMP ASSEMBLIES

Consists of Upper and Lower Clamps and Bolt for use with hose shank nozzle bodies shown above.



Part No.	To Clamp On
AA111-1/2	1/2" Pipe (1 1/8" & 3/4" O.D. Tubings)
AA111-3/4	3/4" Pipe (1" & 1 1/8" O.D. Tubings)
AA111-1	1" Pipe (1 1/8", 1 1/4" & 1 3/8" O.D. Tubings)
AA111-1 1/4	1 1/4" Pipe (1 3/8" & 1 1/2" O.D. Tubings)
AA111SQ-1	1" Square Tubing
AA111SQ-1 1/4	1 1/4" Square Tubing



SPLIT EYELET NOZZLE BODIES

FOR WET BOOMS

- ~ Mounting on 1/2", 3/4" or 1" pipe or tubing.
- ~ Mounts to 9.5mm hole drilled in pipe or tubing.



Split Eyelet Assembly No.	Nozzle Body Material	To Clamp On
7421-1/2T	Brass	1/2" Pipe 1 3/8" O.D. Tubing 3/4" O.D. Tubing
7421-1/2T-SS	Stainless Steel	
7421-1/2T-NYB	Nylon	
25775-1/2T-NYB	Nylon	3/4" Pipe 1" O.D. Tubing 1 1/8" O.D. Tubing
7421-3/4T	Brass	
7421-3/4T-SS	Stainless Steel	
7421-3/4T-NYB	Nylon	1" Pipe 1 1/4" O.D. Tubing 1 3/8" O.D. Tubing
25775-3/4T-NYB	Nylon	
7421-1T	Brass	
7421-1T-SS	Stainless Steel	1" Pipe 1 1/4" O.D. Tubing 1 3/8" O.D. Tubing
7421-1T-NYB	Nylon	
25775-1T-NYB	Nylon	

HOW TO ORDER: Specify split eyelet assembly no. Example: 7421-1/2T-SS

Nozzle Bodies



TeeJet®

SWIVEL NOZZLE BODIES

QUICK TEEJET® SWIVEL NOZZLE BODIES

QJ8600 swivel Quick TeeJet® nozzle body assemblies provide the same spray tip adjustability of a standard TeeJet® threaded swivel plus the quick change and self-aligning

Part No.		Pipe Thread
Single Swivel	Double Swivel	
QJ8600-1/4-NYB	QJ8600-2-1/4-NYB	1/2" NPT (F)

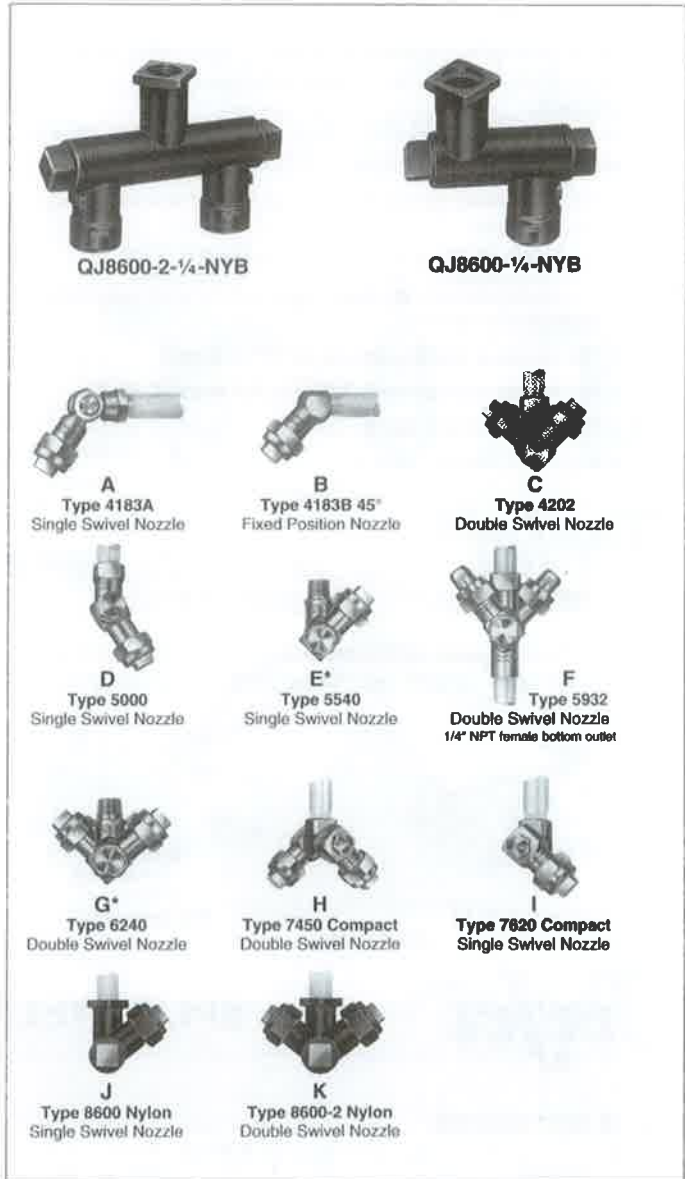
SWIVEL NOZZLE BODIES

TeeJet® swivel nozzle bodies are primarily for use with tips employed in rowcrop spraying. A locknut holds swivel bodies firmly in position at selected spray projection angle so they are not affected by jarring and vibration. For use at pressures up to 9 bar.

Note: Swivels do not include tips, strainers, or caps.

Item	Swivel TeeJet Body Assembly No.	Inlet Pipe Conn. Female NPT	Material	Swivel Arc Range
A	4183-1/4T	1/4"	Brass	280°
B	4183B-1/4TA			Fixed 45° Position
C	4202-2-1/4T			280°
D	5000-1/4T			
E	5540-1/4TT	1/4"	Nylon	280°
F	5932-2-1/4T	1/4"		
G	6240-1/4TT	1/4"		
H	7450-2T	1/4"	Nylon	360°
I	7620-T			280°
J	8600-1/4T-NYB			
K	8600-2-1/4T-NYB			

* 1/4" NPT (M) inlet connection

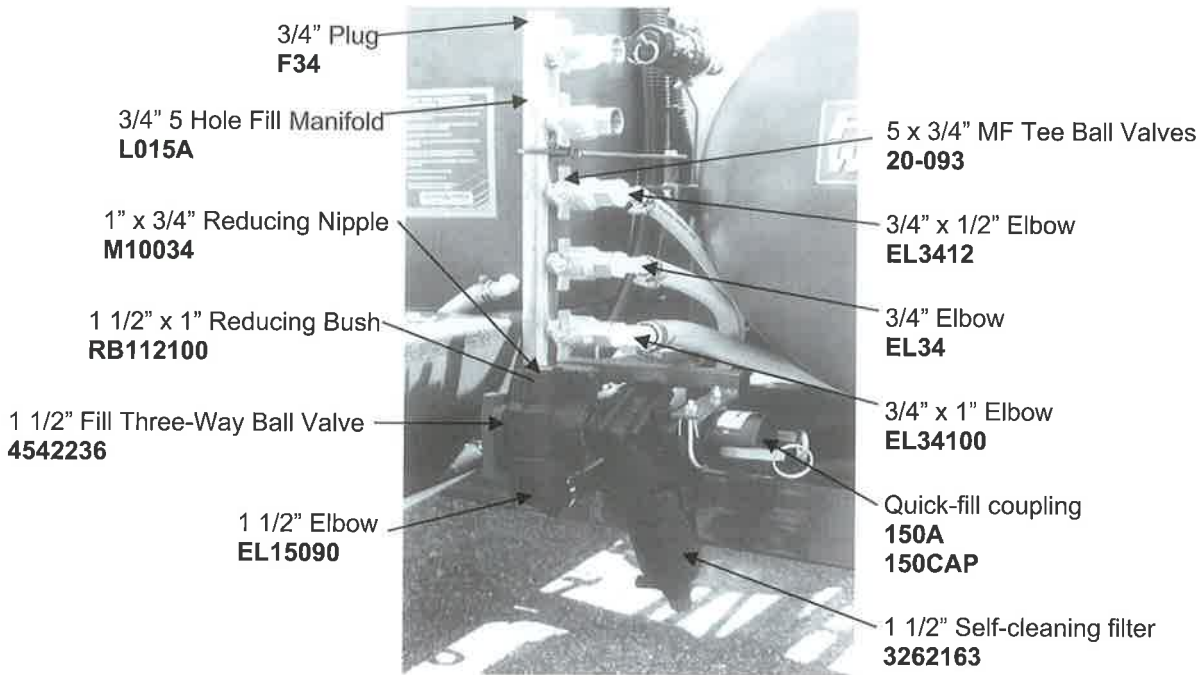


TO ORDER: Example: 4202-2-1/4T - Brass



FILL MANIFOLDS

The Fill System incorporates the fill manifold, the self-cleaning filter, the fill three-way ball valve and the quick fill coupling. This system provides an easy method of utilising flow from the rinse water pumping supply to fill the various tanks on the sprayer and to rinse chemical drums via the induction hopper and the hopper itself. The maximum filling pressure provided by the rinse water pumping system should not exceed 100 psi.



Fill Manifold Complete 1 1/2" FILLMAN



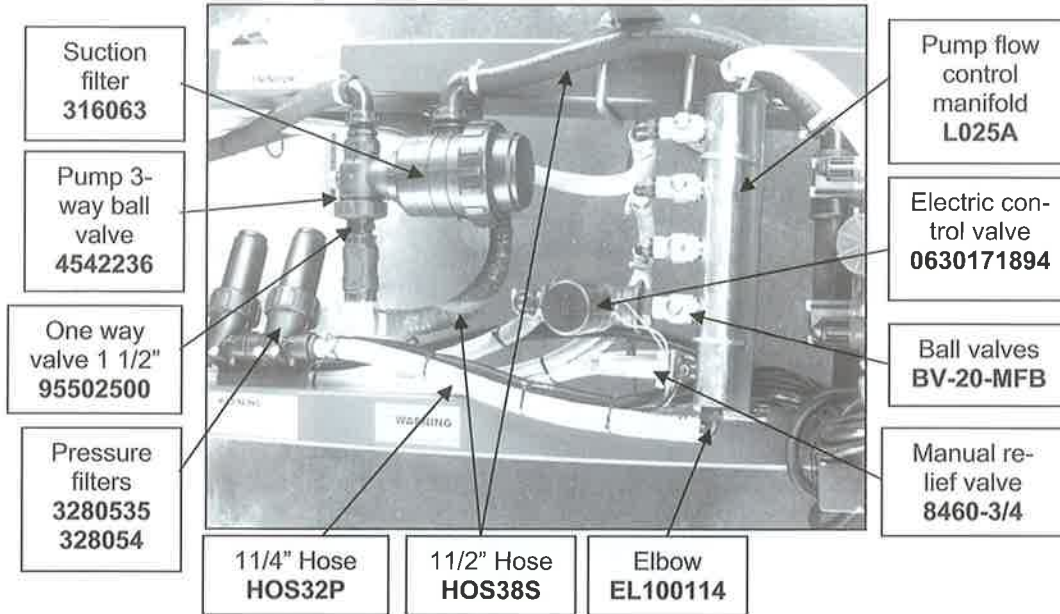
Fill Manifold Complete 2" FILLMAN2

Manifolds

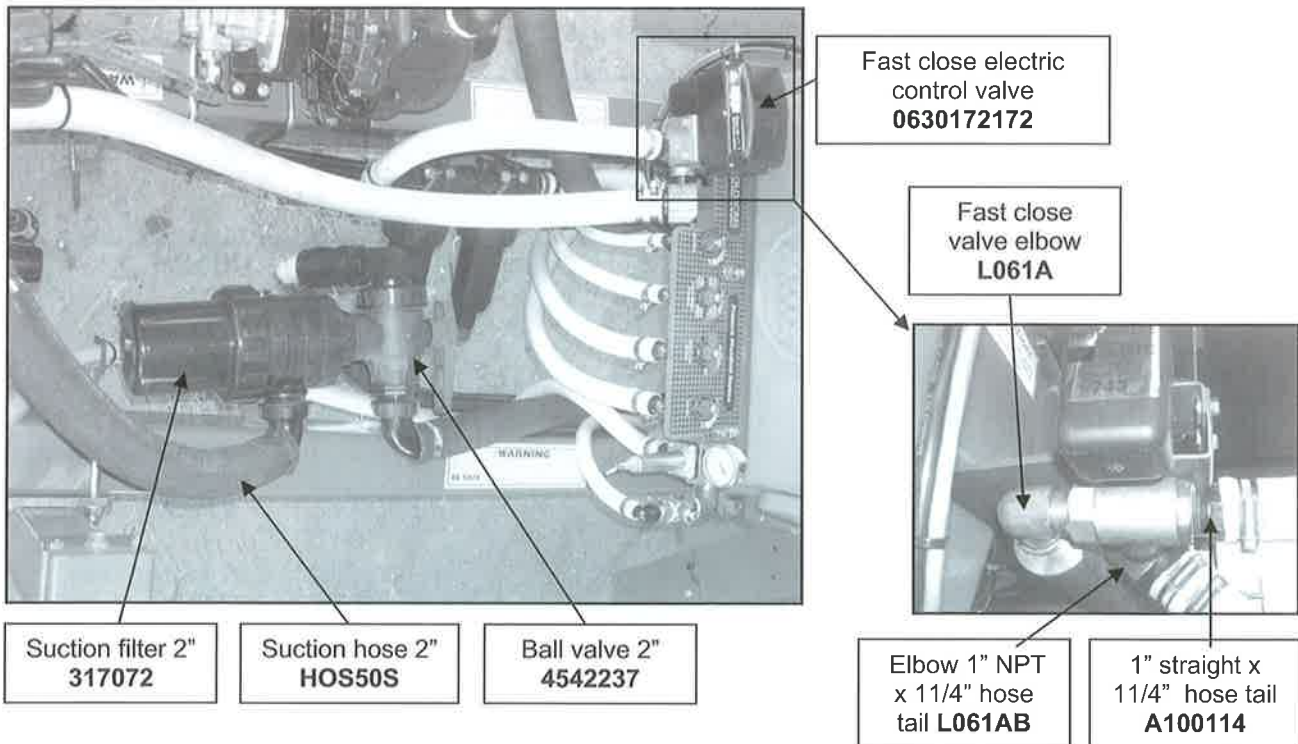


PRAIRIE PLUMBING SYSTEM

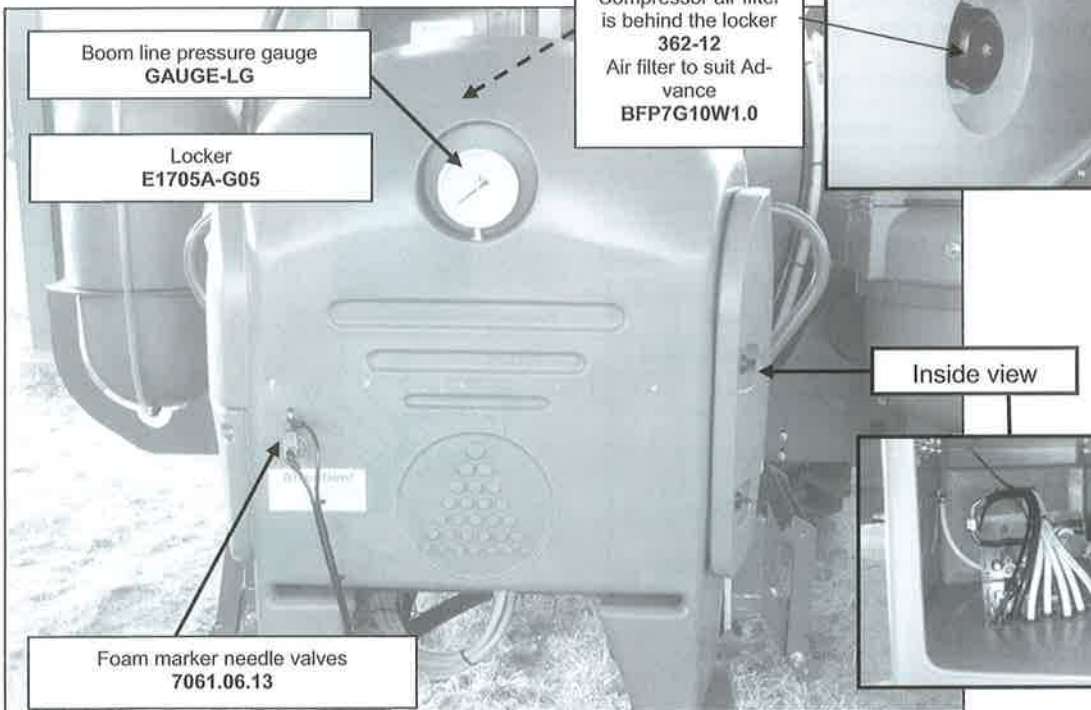
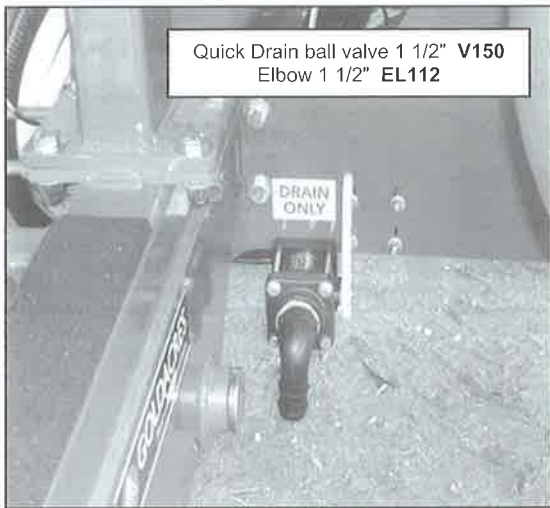
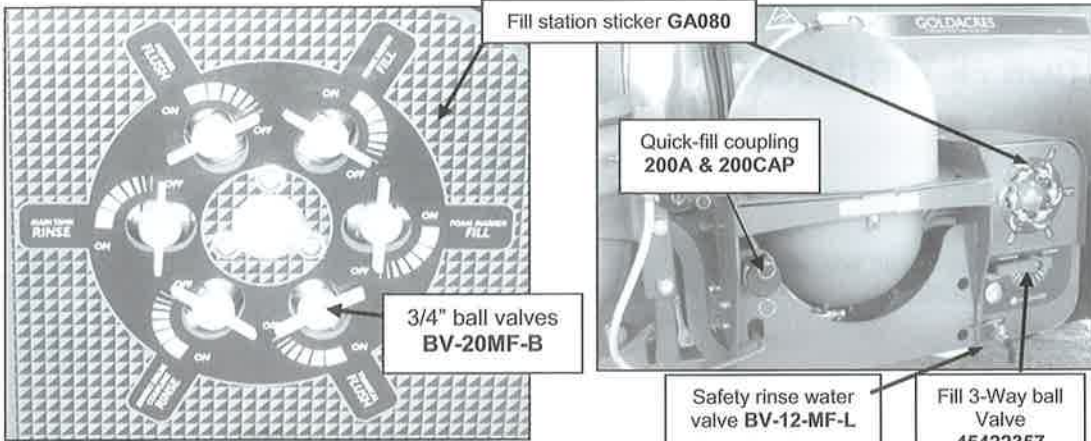
BASE MODEL:



2TS DUAL BOOM MODEL:



Manifolds



Manifolds

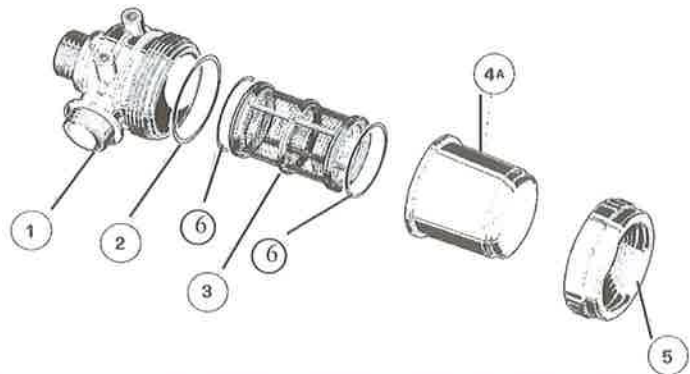


GOLDACRES SUCTION FILTERS

312 SUCTION FILTER (2 bolt) 1 1/4"

- Polypropylene housing.
 - EPDM seals.
 - Flow rate: 60 l/min.
- To suit 300 & 400L linkage units and all compact sprayers pre 1996.

312053 - 50 mesh screen



POSITION	PART NUMBER	DESCRIPTION
1	310050.010	Suction filter body 1 1/4" thread
2	310000.050	Filter body O ring, 82.1x3.5
3	312003.030	Blue screen 70x150 (50 mesh)
4A	312000.020	Suction filter bowl
5	310000.040	Suction filter nut
6	312300.060	Screen O ring

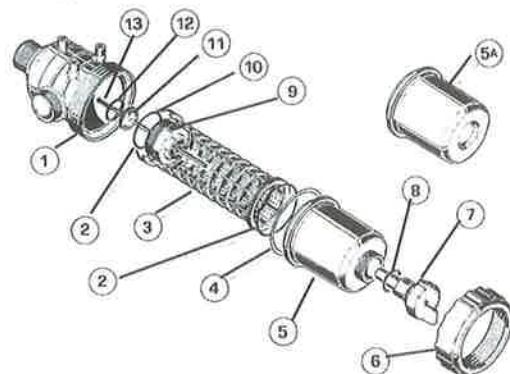
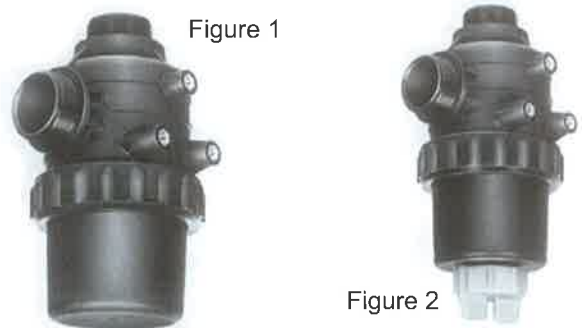
314 SUCTION FILTER (3 bolt) 1 1/2"

- Polypropylene housing.
- EPDM seals.
- Flow rate: 100 to 160 l/min.

- 3140635 - 80 mesh
- 314463 - 50 mesh and valve
- 3144635 - 80 mesh and valve

Figure 1: Pre 1996 600 and 800L linkage 314
Figure 2: All linkage from 1996 314-V (with Valve)

POS.	PART NUMBER	DESCRIPTION
1	314160.010	Suction filter body 1 1/2"
2	314300.060	O Ring 71.1x2.6
3	314003.030	Blue screen 80x165 (50 mesh)
3	3140035.030	Grey screen 80x165 (80 mesh)
4	314000.050	O Ring 94.6x5.3
5A	314000.020	Suction filter bowl
5	314400.020	Suction filter bowl valve version
6	314000.040	Suction filter nut
Valve version only		
7	314400.060	Bowl cap
8	462300.230	O Ring 31.0x2.5 Viton
9	314400.070	Valve body
10	460000.190	O Ring 56.8x2.6
11	314400.080	Valve plunger
12	462300.550V	O Ring 29.7x3.5 Viton
13	314400.090	Valve spring





GOLDACRES SUCTION FILTERS

316 SUCTION FILTER

- Polypropylene housing.
- EPDM seals.
- Flow rate: 160 to 220 l/min.

For Prairie, Tray Mount, Director, and 1000L and above Linkage Sprayers.

Figure 1: **316-11/2 1 1/2"**

For Orchard Sprayers.

Figure 2: **316-11/2V 1 1/2" with Valve**
316-2V 2" with Valve

- 316063** - 50 mesh (1 1/2")
- 3160635** - 80 mesh (1 1/2")
- 316073** - 50 mesh (2")
- 3160735** - 80 mesh (2")

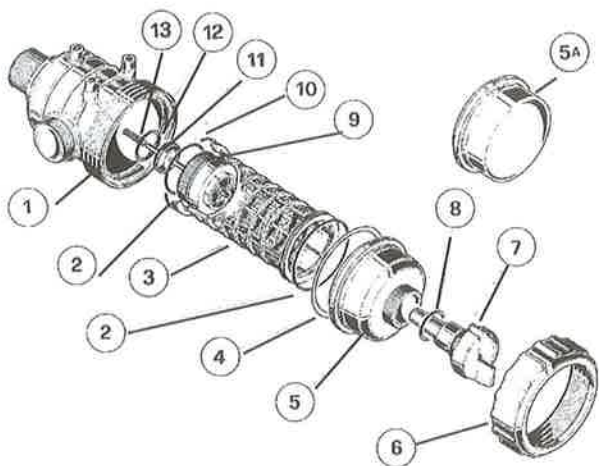


Figure 1



Figure 2



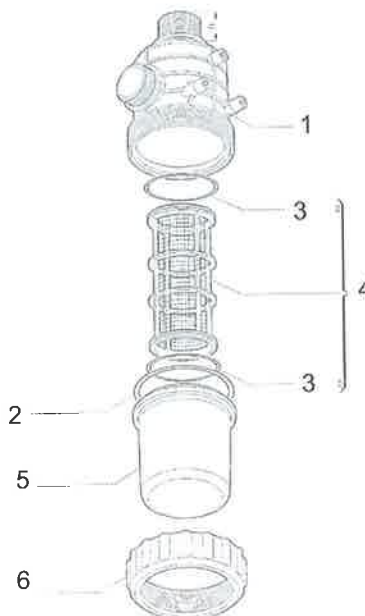
POS.	PART NUMBER	DESCRIPTION
1	316060.010	Suction filter body 1 1/2"
2	316300.060	O Ring 101.3x2.6
3	316003.030	Blue screen 106x200 (50 mesh)
3	3160035.030	Grey screen 106x200 (80 mesh)
4	316000.050	O Ring 126.4x7
5A	316000.020	Suction filter bowl
5	316400.020	Suction filter bowl valve version
6	316000.040	Suction filter nut
Valve version only		
7	316400.060	Bowl cap
8	G10052V	O Ring 39.6x3.5 Viton
9	316400.070	Valve body
10	316300.060	O Ring 71.1x2.6
11	316400.080	Valve plunger
12	G10052V	O Ring 39.6x3.5 Viton
13	316400.090	Valve spring

317 SUCTION FILTER

- Polypropylene housing.
 - EPDM seals.
 - Flow rate: 200 to 260 l/min.
- For Prairie with RO210 or RO250 pumps fitted.
317072 30 Mesh screen



POS.	PART NUMBER	DESCRIPTION
1	316070.010	Suction filter body 2"
2	316000.050	O Ring 126.4x7
3	316300.030	O Ring 104x2.62 filter cartridge
4	317002.030	White screen (32 mesh)
5	317000.020	Suction filter bowl
6	316000.040	Suction filter nut



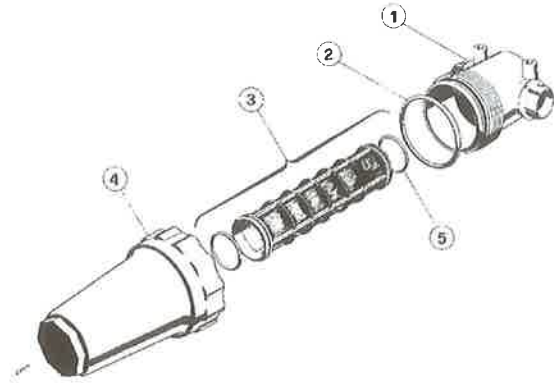


GOLDACRES PRESSURE FILTERS

328 PRESSURE FILTER 1 1/4" (not current)

- Pressure line polypropylene filter
- Internal thread.
- Maximum pressure: 10 bar

328 1 1/4" Pressure filter



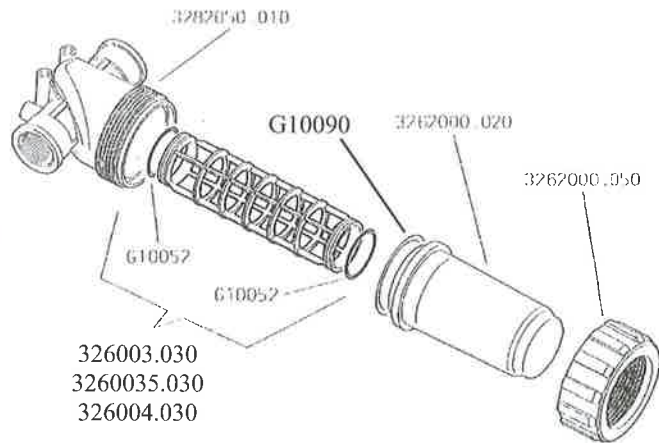
Pos No	Part No	Description
1	328050.010	In-line filter body 1 1/4" F
2	326000.040	O ring 82x5.3 large line filter body
3	326003.030	Blue screen 58x210 (50 mesh)
3	326004.030	Red screen 58x210 (100 mesh)
4	326000.020	Large in-line filter bowl
5	G10052	O ring 39.6x3.53

328 PRESSURE FILTER 1 1/4" (current)

- Pressure line polypropylene filter.
- Internal thread.
- Maximum pressure: 10 bar.

328053 1 1/4" Pressure Filter (50 Mesh)
 3280535 1 1/4" Pressure Filter (80 Mesh)
 328054 1 1/4" Pressure Filter (100 Mesh)

PART NO.	DESCRIPTION
3282050.010	Filter Body
G10052	O Ring
G10090	O Ring
326003.030	Blue Screen 58x210 (50 Mesh)
3260035.030	Grey Screen 58x210 (80 Mesh)
326004.030	Red Screen 58x210 (100 mesh)
3262000.020	Filter Bowl
3262000.050	Retaining Nut





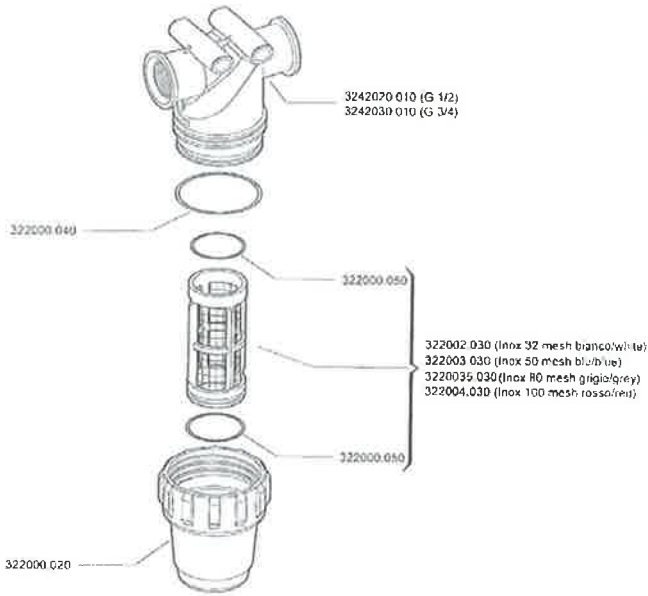
GOLDACRES PRESSURE FILTERS

324 PRESSURE FILTER 1/2"

- Pressure line polypropylene filter.
- Internal thread.
- Maximum pressure: 10 bar.



324 1/2" Pressure filter

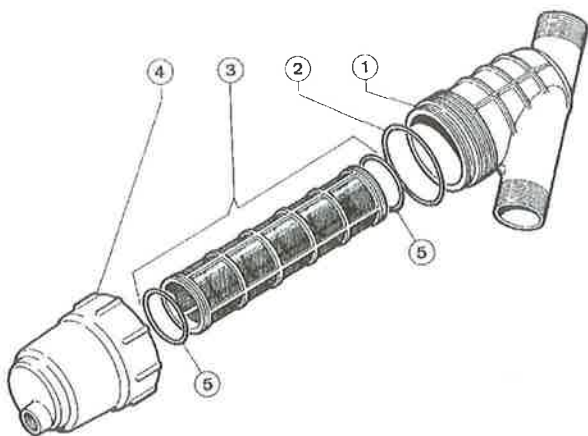


POS	PART NO.	DESCRIPTION
1	324020.010	In-line filter body 1/2" F
2	322000.040	O ring 51x3.5 small in-line filter body
3	322003.030	Blue cartridge 38x89 (50 mesh)
3	322004.030	Red cartridge 32x89 (100 mesh)
4	322000.020	Small in-line filter bowl
5	322000.050	O ring 28.2x2.6

329 FILL PRESSURE FILTER

- Polypropylene housing.
- EPDM seals.
- 2" male BSP thread.

For current Prairie sprayers.
329073 2" Fill Filter



POS	PART NUMBER	DESCRIPTION
1	329070.010	Inclined filter body 2"
2	314000.050	O ring 94.6x5.3
3	329003030	Blue cartridge 70x220 (50 mesh)
4	329000020	Filter bowl
5	312300060	O ring 64.7x2.6



GOLDACRES PRESSURE FILTERS

335 FILL PRESSURE FILTER

- Polypropylene housing.
- EPDM seals.
- 3" male BSP thread.



335093 3" Fill Filter

A large 3" filter capable of handling flow rates up to 800 litres per minute, and operate at pressures up to 8 bar.



POS	PART NUMBER	DESCRIPTION
1	335090.010	3" In line filter body
2	335003.030	3" Blue filter element (50 mesh)
3	335000.060	3" Filter element O-Ring (139 x 3.5)
4	335000.050	3" Filter bowl O-Ring (168 x 7)
5	335000.020	3" Filter bowl
6	335000.040	3" Filter flange

GEOline 2" Fill Filter

- 600 L/min flow rate
- 2" BSP male thread
- 3/4" female thread in bowl for flushing
- 50 mesh screen

8118013 2" Fill Filter



Filters

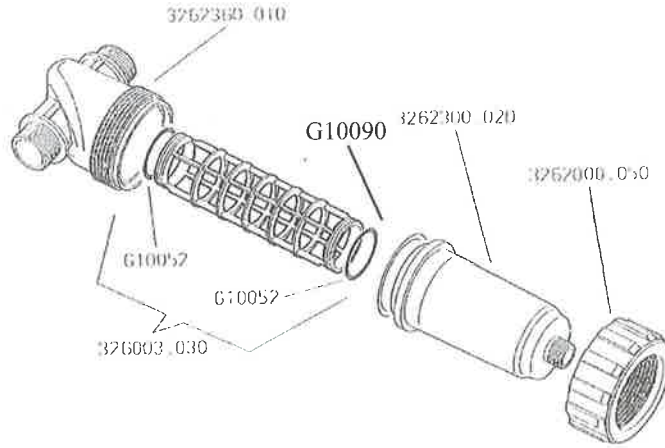


GOLDACRES FLUSH FILTERS

326 FLUSH FILTER 1 1/2"
(not current)

- Polypropylene housing.
- Flow rate 210 l/min at 0.4 bar.
- Maximum pressure: 15 bar.

3262363 1 1/2" Flush filter
(50 Mesh)

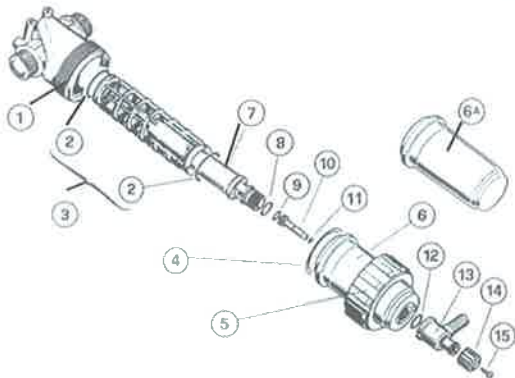


PART NO.	DESCRIPTION
3262360.010	Filter Body
G10052	O Ring
G10090	O Ring
326003.030	Blue Screen 58x210 (50 mesh)
3262300.020	Filter Bowl
3262000.050	Retaining Nut

326 FLUSH FILTER
1 1/2"

- Polypropylene housing.
- Flow rate 210 l/min at 0.4 bar.
- Maximum pressure: 15 bar.

3262163 1 1/2" Flush filter
(50 Mesh)



POSITION NO.	PART NO.	DESCRIPTION
1	3262060.010	Line filter body 1 1/2" M
2	G10052	O Ring 39.69x3.53
3	326003.030	Blue screen 58x210 (50 Mesh)
4	G10090	O Ring 74.63x5.34
5	3262000.050	Back nut
6	3262100.020	Self-cleaning filter bowl
6A	326200.020	Pressure filter bowl
7	3262100.060	Conveyor
8	465005.140	O Ring 22.22x2.62
9	G10021	O Ring 10.78x2.62
10	3262100.080	Discharge valve plunger
11	318000.230	O Ring 6.0x3.0 Viton
12	G10051	O Ring 26.65x2.62
13	3262100.070	Discharge valve body
14	463011.091	Knob
15	V2B25F	Self threading screw 5.5x19



LINE STRAINERS

Strainer heads and bowl material available in polypropylene (PP) up to 1", and supplied with EPDM O rings. Sizes 1 1/4" and 1 1/2" available in nylon (NYB), and supplied with Buna-N O rings. Viton O rings are optional. Maximum temperatures up to 38°C.

TO ORDER: Specify strainer no., mesh size, material.

Example: AA124-1 1/4-NYB-16 Nylon

To order screen only, specify no. Example: CP15941-2

Strainer No.	Screens				Strainer Head Part Number	Bowl Part Number	O Ring Part Number	Net Weight kg	Approx. flow rate at 0.35 bar Pressure drop in L/min	Pressure Rating (bar)
	Pipe Conn.	Mesh Size	Part Number	Full Area cm2						
AA122-1/2-PP	1/2"	30	CP23174-2	50	CP23171-1/2-PP	CP23172-PP	CP23173-EPR (Standard) CP23173-VI (Optional)	0.1	45	10
		50	CP23174-3							
		80	CP12174-4							
		100	CP23174-5							
AA124A-3/4-PP	3/4"	30	CP16903-3	109	CP16430-3/4-PP	CP15403-PP	CP7717-2-226-EPR	0.27	87	8
		50	CP16903-4							
		80	CP16903-5							
AA124A-1-PP	1"	30	CP16903-3	109	CP16430-1-PP	CP15403-PP	CP7717-2-226-EPR	0.27	129	5
		50	CP16903-4							
		80	CP16903-5							
AA124-1 1/4-NYB	1 1/4"	30	CP15941-2	264	CP15016-1 1/4-NYB	CP15017-NY	CP12291-BU CP12291-VI (Optional)	0.57	230	5
		50	CP15941-3							
		80	CP15941-4							
AA124-1 1/2-NYB	1 1/2"	30	CP15941-2	264	CP15016-1 1/2-NYB	CP15017-NY	CP12291-BU CP12291-VI (Optional)	0.57	260	5
		50	CP15941-3							
		80	CP15941-4							

Screen Mesh Openings					
Mesh size	Colour	Size of opening	Mesh size	Colour	Size of opening
16	Grey	1.1mm	100	Green	.15mm
30	Yellow	.53mm	120	Brown	.12mm
50	Red	.28mm	200	Orange	.08mm
80	Blue	.18mm			



AA122-#-PP



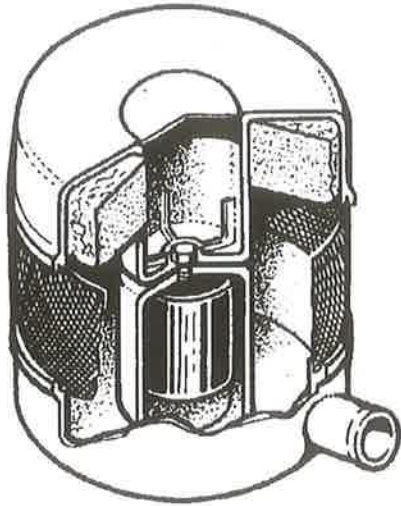
AA124A-PP
(Polypropylene)
AA124A-NYB
(Nylon)



Cut-Away View
3/4" to 1 1/2" Sizes
(Typical)



GOLDACRES FLOATING FILLING FILTER



Designed to be used when filling tank from a dam or channel. The filter draws in water just below the surface through a coarse mesh screen.

- 307040-FV** Floating filter kit complete with foot valve attached
- 307040** Floating filter
- 504015** Foot valve 1 1/2" internal thread



Foot Valve
504015

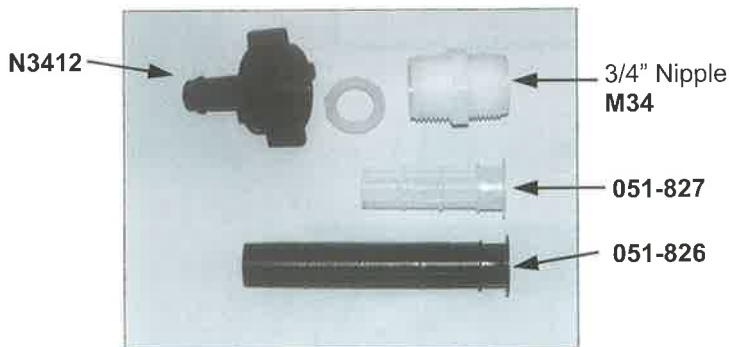
IN-LINE 1/2" FILTER

To suit 12 Volt sprayers.

1/2" In-line filter 5100659



Current Model 1/2" In-line filter





TeeJet® NOZZLE FILTERS

TEEJET® STRAINERS with VisiFlo® colour-coding.

Nylon slotted and polypropylene wire mesh strainers are colour-coded for easy identification of strainer mesh size.

Mesh Size	Colour Code
16	Grey
24	White
25	Yellow
50	Red
80	Blue
100	Green
200	Orange

TEEJET® STRAINERS



19845-PP

Strainer protects spray tip orifice from clogging and damage. Stainless steel screens in 24, 50, 100 and 200 mesh. Polypropylene screens available in 25 and 50 mesh only.

TeeJet Strainer Number	Strainer Body & Cap Material	Mesh Screen Material
5053*	Brass	Stainless Steel
8079-PP*	Polypropylene	Stainless Steel
5053-AL*	Aluminum	Stainless Steel
6051-SS*	Stainless Steel	Stainless Steel
19845-PP*	Polypropylene	Polypropylene

* Specify mesh size when ordering

*** Please note: Strainer 8079-PP# is used as standard on Goldacres sprayers. Need to determine what mesh size is required for relevant tip size.**

TeeJet® Slotted Strainers

One-piece strainers for use with liquids containing suspended solids.



TeeJet Strainer Number	Available Material	Equivalent to Mesh Size
4514-* -10	Brass or Nylon	50
4514-* -20	Brass, Aluminum or Nylon	25
4514-* -32	Brass, Aluminum or Nylon	16

* Above numbers for brass. For nylon add "NY". For aluminium add "AL".

No. 4067SS# TeeJet® Cup Strainers



Stainless steel construction. Choice of 50, 100 and 200 mesh screens.

No. 4193A TeeJet® Strainer & Check Valve



Minimises nozzle dripping, fits all TeeJet® nozzles. Ball check opens at 0.35 bar. Recommended for flow rates up to 3 L/min. 24, 50, 100 and 200 mesh screens.

Note: Use of these ball check valves results in a pressure drop of 0.35 - 0.7 bar depending on spring rating.

Check Valve Number	Body and Cap Screw Material	Mesh Screen Material
4193A- * - *	Brass	Stainless Steel
4193A-AL- * - *	Aluminum	Stainless Steel
4193A-SS- * - *	Stainless Steel	Stainless Steel
4193A-PP- * - *	Polypropylene	Stainless Steel

* When ordering, specify spring rating and screen mesh size.

No. 11750 TeeJet® Check Valve

For larger capacity TeeJet® nozzles where strainers are not required. Ball check opens at 0.35 bar, 0.7 bar spring also available. Recommended for flow rates from 1.5 to 5.7 L/min. Made in choice of stainless steel, brass, aluminium or polypropylene with stainless steel ball and spring.





POLY BALL VALVES

Precision molded in glass reinforced polypropylene. Teflon seats. Maximum operating pressure 100 psi.

2-WAY BALL VALVES



**SINGLE UNION
POLYPROPYLENE BALL VALVE**
UV100FP 1" Single union poly valve
UV150FP 1 1/2" Single union poly valve



POLYPROPYLENE BOLTED BALL VALVE
V-150 1 1/2" Bolted ball valve



ITEM NO.	DESCRIPTION	UV100FP PART NO.	UV150FP PART NO.
1	Union end cap	UV10150	UV15150
2	Union stem	UV10151	UV15151
3	Union handle	UV10153	UV15153
4	Union body	UV10254	UV15254
5	Union ball	UV10255	UV15255
6	Union end plate	UV10256	UV15257
7	Union seat	UV10258	V20258
8	Union stem O ring	UV10163	UV15163
9	Union body O ring	UV10264	UV15264
N/S	1" nozzle pipe	V10161	N/A

ITEM NO.	DESCRIPTION	PART NO.
1	Stem	V20151A
2	Handle	V20153
3	Valve body	V20254
4	Valve ball	V20255A
5	End plate	
6	Teflon seats	V20258A
7	Upper stem bushing	V20159
8	Thrust washer	V20060
9	Stem O ring Viton	V20163
10	Valve body O ring	V20264

3-WAY BALL VALVES



3-WAY POLY BALL VALVE
 - Directional flow either right or left.
 - Valve cannot be turned off.
V-075-SL 3/4" 3-way poly valve
V-100-SL 1" 3-way poly valve



3-WAY POLY BALL VALVE
 - Directional flow either right or left.
 - Valve can be turned off to stop flow.
V-100-BL

ITEM NO.	DESCRIPTION	PART NO. V075SL	PART NO. V100SL
1	Stem	V10151A	V10151A
2	T handle	V10353S	V10353S
3	Valve body	V07354S	V10354S
4	Valve ball	V10355S	V10355S
5	End plate	V07357	V10257
6	Ball seats	V10258A	V10258A
7	Upper stem bushing	V10159	V10159
8	Stem O ring	V10163	V10163
9	Valve body O ring	V10264	V10264
10	Thrust washer	V10060	V10060

ITEM NO.	DESCRIPTION	PART NO.
1	Stem	V10151A
2	T handle	V10353B
3	Valve body	V10354B
4	Valve ball	V10355B
5	End plate	V10257
6	Ball seats	V10258A
7	Upper stem bushing	V10159
8	Stem O ring Viton	V10163
9	Valve body O ring	V10264
10	Thrust washer	V10060



POLY BALL VALVES

3-WAY BALL VALVES

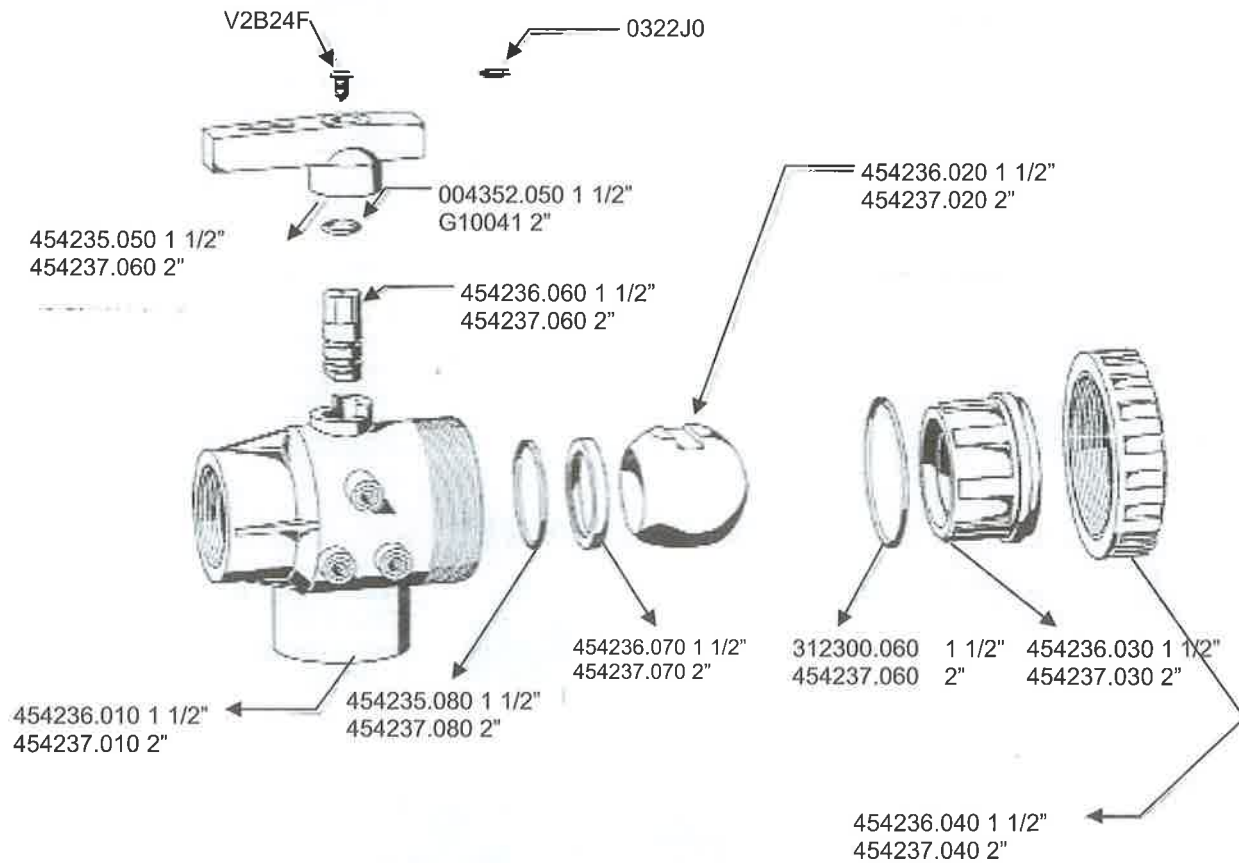


3-WAY POLY BALL VALVE

- Maximum pressure 10 bar.
- Valve can be turned off.

454236 1 1/2" 3-way ball valve

454237 2" 3-way ball valve

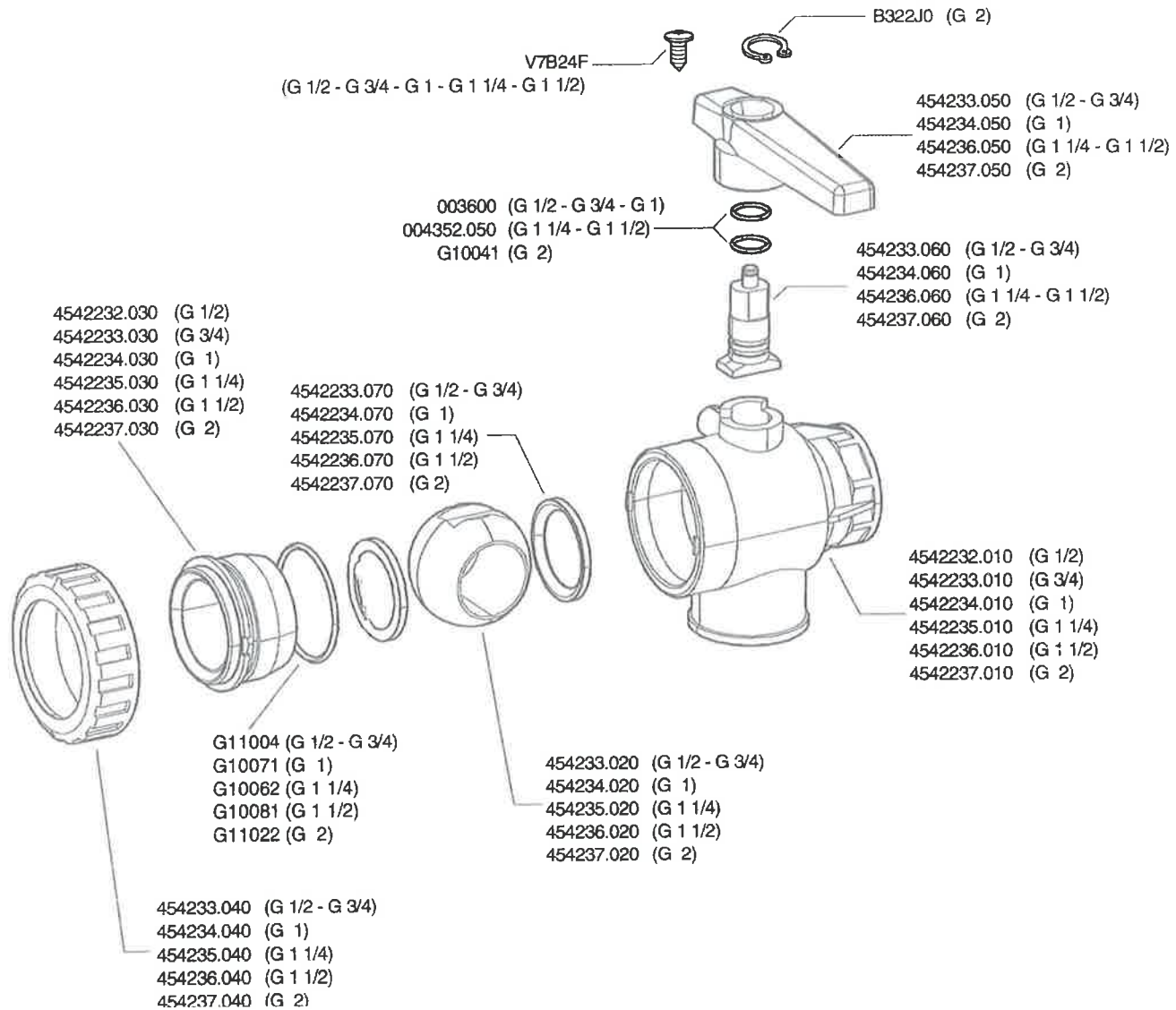


Ball Valves



POLY BALL VALVES

3-WAY BALL VALVES

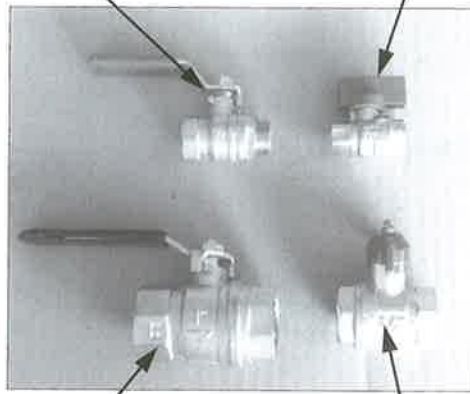




BRASS BALL VALVES

1/2" MF Lever
BLMF0015

1/4" FF Tee
MBFF0008



1" FF Lever
BLFF0025

3/4" FF Tee
20-092

PART NUMBER	PORT TYPE	PORT SIZE	HANDLE TYPE
BV-8FF-B	F F	1/4"	TEE
BV-8MF-B	M F	1/4"	TEE
BV-12-FF-L	F F	1/2"	LEVER
BV-12MF-L	M F	1/2"	LEVER
BV-12FF-B	F F	1/2"	TEE
BV-12MF-B	M F	1/2"	TEE
BV-20FF-L	F F	3/4"	LEVER
BV-20MF-L	M F	3/4"	LEVER
BV-20FF-B	F F	3/4"	TEE
BV-20MF-B	M F	3/4"	TEE
BV-25FF-L	FF	1"	LEVER

IN-LINE TAPS

1/2" In line tap
VQA12

3/8" In line tap
VQA138

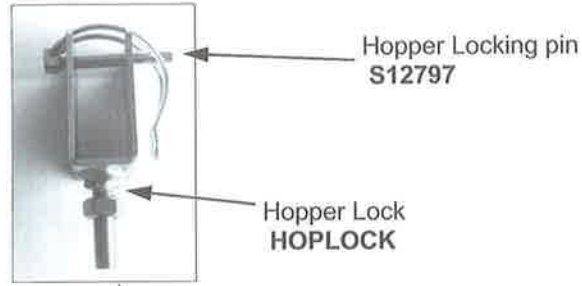


3/4" In line tap
VQA34



CHEMICAL INDUCTION HOPPER

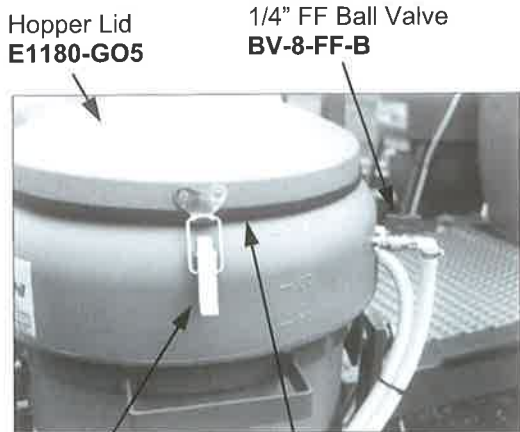
- ~ Hopper construction is from moulded polyethylene and is specially designed with smooth rounded surfaces for easy, thorough chemical cleaning.
- ~ Hopper with a large opening allows quick and easy transfer of chemicals with minimum fuss.
- ~ Pressure supplied by the sprayer or fire pump produces a powerful venturi suction action under the hopper.
- ~ Both granular and liquid chemicals can be mixed with water in the hopper and a degree of mixing results as the chemical is transferred into the spray tank.
- ~ Hopper is graduated for measuring liquid chemicals.
- ~ The chemicals are transferred directly from the hopper into the centre of the spray tank. This eliminates chemical attack resulting from high concentrations of chemical coming into contact with spray components.
- ~ Drum rinsing nozzle facilitates easy and thorough drum rinsing.
- ~ The induction hopper can be retrofitted to almost any sprayer.



Hopper adjustment arm HOPADJARM

Nylon insert RIR-5980

Hopper frame height adjustable CHEMIND-FHA



Hopper Lid Latch 30-502

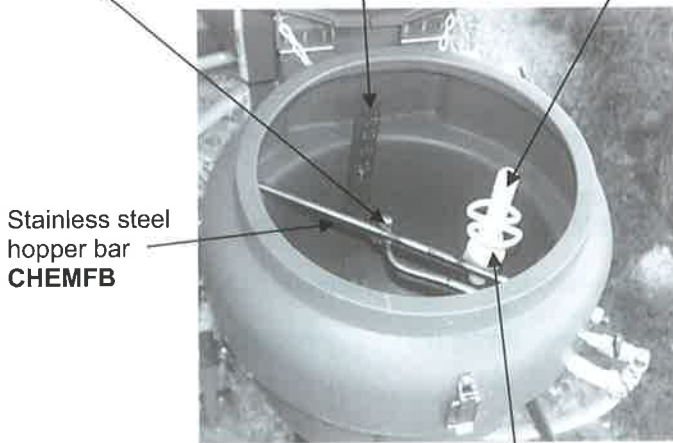
Seal 550140030

Hinge (not shown) HING3

Hopper Rinsing Nozzle HOPRINSE

Hopper Calibrator F70116A

Drum Rinsing Nozzle 510110



Mesh cover over jet (hidden) 23141483

Push Down Valve 510100



CHEMICAL INDUCTION HOPPER

70 Lt height adjustable
chemical induction hopper
CHEMIND

Hopper springs
(2 x Hidden behind plate)
CATCS281



Plastic weld in fitting for hopper
thread repair
P420600

Bottom hopper
tee piece
L056A

40 Lt height adjustable
chemical induction hopper
CHEMIND-40



Hopper handle
P342100

1 1/2" ball valve
UV150FP

Brass ball valve
BV-20-MFB

Bottom hopper
tee piece
L056A

1" Elbow
EL100

1" street elbow
SE100

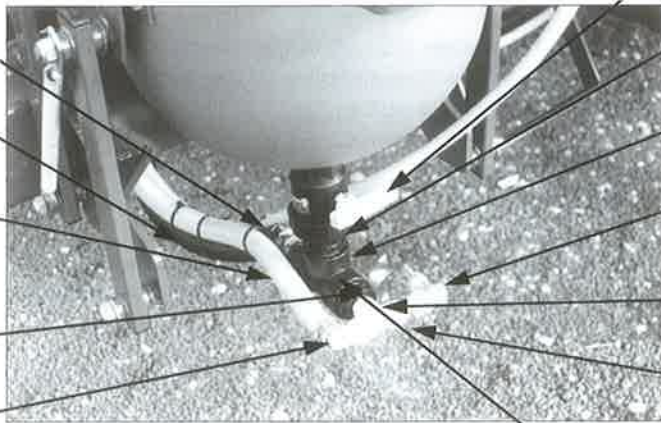
Venturi jet
(hidden)
L057A

1. Hopper with height-adjustable mounting bracket. Can be fitted to most sprayers
CHEMIND (70 Litres) **CHEMIND-40** (40 Litres)
2. Hopper with fixed mounting bracket. Often used with 3PL and tray mount sprayers.
CHEMIND-FXD (70 Litres) **CHEMIND-FXD-40** (40 Litres)
3. Free-standing hopper on wheels. Suitable for use where sprayer is usually filled at the same site (ie. orchards, vineyards, etc).
CHEMIND-FREE (70 Litres) **CHEMIND-FREE-40** (40 Litres)



Note this is the pre 2002 hopper bottom set-up. Refer previous page for current assembly.

- 1 1/2" Hose barb **HB150**
- 40mm hose **HOS40PVC**
- 25mm Hose **HOS25P**
- 1 1/2" x 3/4" Reducing bush **RB11234**
- 3/4" x 1" Elbow **EL34100**



- 1 1/2" Ball Valve **UV150FP**
- 1 1/2" Nipple **M112**
- 1 1/2" Female tee **TEE150**
- 3/4" MF Tee ball valve **BV-20MF-B**
- 3/4" Nipple **M34**
- 3/4" Female tee **TT34**

Complete hopper bottom **CHEMHOPBOT**

Venturi jet (hidden) **LO13A**

- 40mm hose **HOS40PVC** (from induction hopper)

- 50mm hose **HOS50PVC**
- 2"-1 1/2" Hose tail **3554468**

- Male/female elbow 2" **2271956**

- Flange fitting **L026A**



Elbow 2"-1 1/2" **3554468**

Self Tapper 3/16x1"

Older style fittings for the Induction Hopper line.

Flow from induction hopper



Hose barb 2-1 1/2" **A200112**

Elbow 2" **2271956**

Hose barb 2-1 1/2" **A200112**
1/8" hole needs to be drilled to prevent siphoning from occurring

40mm hose **HOS40PVC**

Chemicals transferred into middle of tank



CHEMICAL VENTURI PROBE

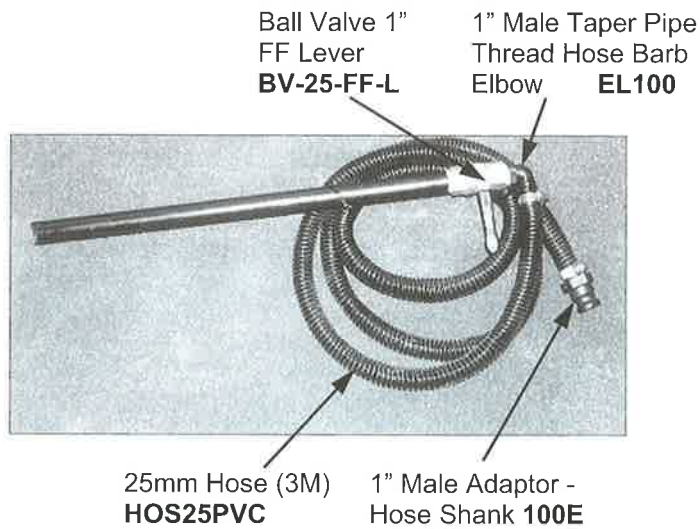
The chemical venturi probe provides a simple and safe method of transferring liquid chemical from the chemical container into the sprayer tank. The probe is used in conjunction with the venturi filler which, via a venturi action, creates the required suction on the pressure side of the pump.

As a guide-line to chemical venturi probe performance:

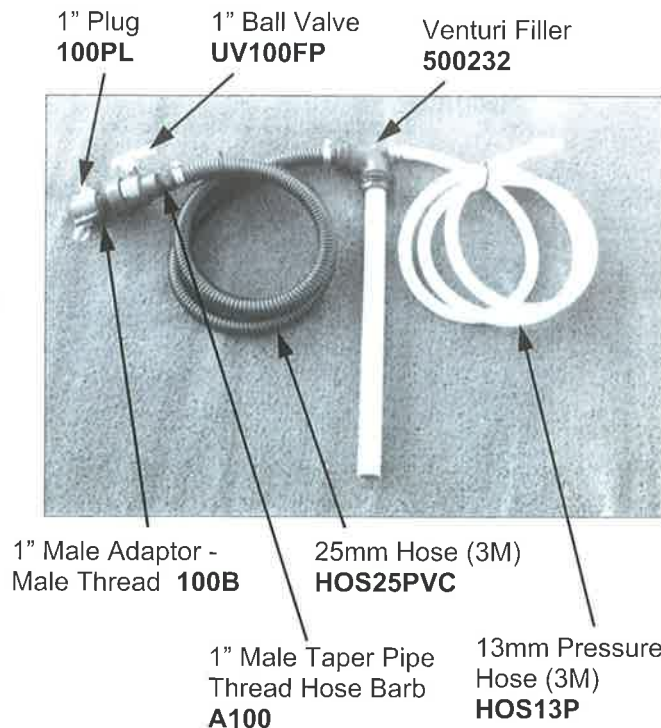
a 121 l/min pump running at 600 kPa will transfer water via the probe at a rate of approximately 40 l/min.

Note: All chemicals should be transferred after between 20% and 50% of the required water quantity has been added to the sprayer tank. This will ensure that agitation takes place when the remaining water is added.

Chemical Suction Probe
CHEMSUCP

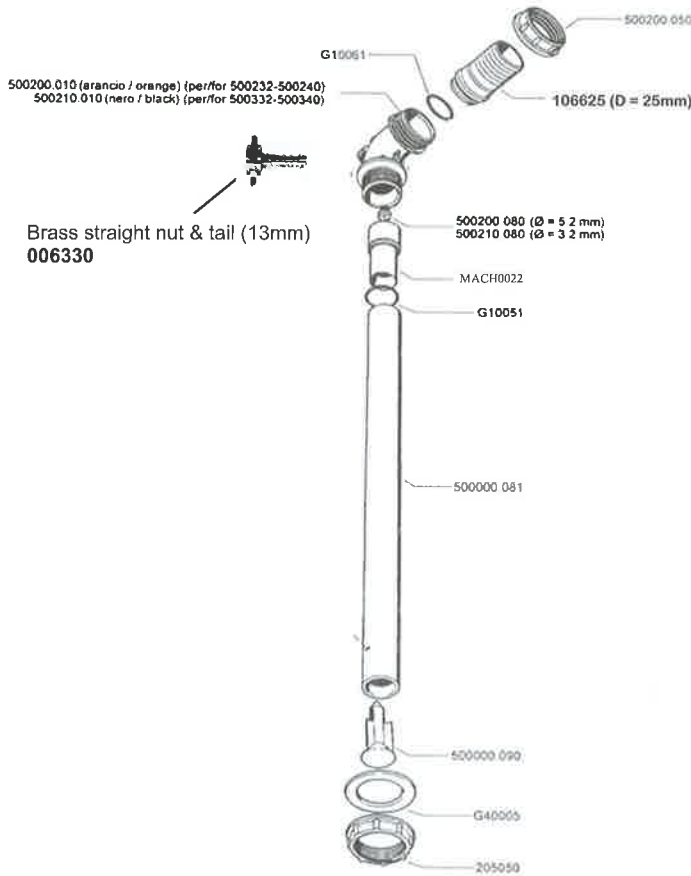


Chemical Venturi Probe
CHEMVENP





Venturi mounted in top of tank. (Need to drill 1 1/4" hole in top of tank).



Venturi filler
500232

VENTURI FILLING SYSTEM

The venturi filling system provides a simple method for filling the tank from a remote water supply. The venturi filler provides the required suction on the pressure side of the pump to fill the tank.

System includes:

- Venturi filler, 6M x 25mm vent hose, 3M x 20mm pressure hose.

Floating filter can also be supplied, see page 52.

Venturi filling system VENTFILL



TRANS-CAL VOLUMETRIC CHEMICAL TRANSFER SYSTEM

The Trans-Cal volumetric chemical transfer system has been designed to provide for the transfer of liquid chemical from any container (including the Envirodrum closed transfer system) to the sprayer tank. By utilizing a venturi system fitted to the sprayer, the chemical is transferred from the chemical container into the Trans-Cal tank where the required volume is measured. Once this volume has been filled into the Trans-Cal tank, it is then transferred to the main spray tank by simply turning a valve. Thus there is no raw chemical coming into contact with any pump or complex componentry.

The Trans-Cal can transfer chemically relatively quickly and a rotating nozzle fitted inside the Trans-Cal tank provides for thorough and easy rinsing, ensuring the system is ready for the next fill

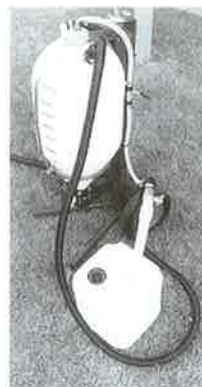
The Trans-Cal system can be mounted either on the sprayer tank or free-standing at the filling site. It can be easily retro-fitted to most sprayers

Specially designed calibrated tank for accurate measuring of chemicals

3-Way Poly Ball Valve
V100BL
Used to direct the venturi suction



The Trans-Cal can be used in conjunction with the Envirodrum so as to transfer chemical without the need for a separate pump and flowmeter.



The Trans-Cal is also designed to be used with the chemical venturi probe fitted on many of the GoldAcres sprayers.

A. FOR FITTING TO A CURRENT MODEL GOLDACRES SPRAYER:

1. Trans-Cal Kit **TRANSCAL**
2. Trans-Cal Kit & Envirodrum Fittings (MicroMatic) **TRANSCAL-E**

B. FOR RETROFITTING TO AN EXISTING SPRAYER:

1. Trans-Cal Kit, Chemical Probe & Venturi Filler **TRANSCAL-CPVF**
2. Trans-Cal Kit, Chemical Probe, Venturi Filler & Envirodrum Fittings (MicroMatic) **TRANSCAL-CPVF-E**

C. FREE STANDING:

1. Trans-Cal Kit, Chemical Probe, Venturi Filler & Wheeled Stand **TRANSCAL-FS-CPVF**
2. Trans-Cal Kit, Chemical Probe, Venturi Filler, Wheeled Stand & Envirodrum Fittings **TRANSCAL-FS-CPVF-E**



K2DV1-002 Rinsing Socket
Provides for water rinsing of the coupler and chemical lines

K744-094 Coupler
Enables connection into the closed system chemical containers

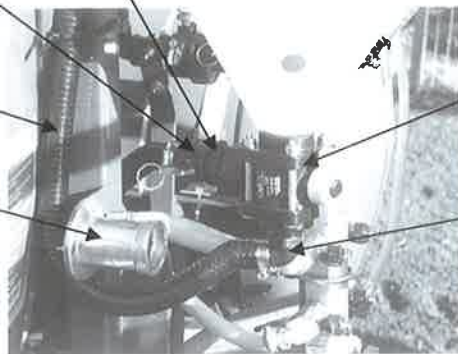
K2F3-003
O Ring to suit coupler

K2F3-009
Seal to suit coupler

Cam-loc fitting **100C** Cam-loc fitting **100F**

1" Hose **HOS25PVC**

Rinsing Socket **K2DV1-002**



3 Way 1" Ball valve **V100BL**

1" Elbow **EL100**

1/2" Tee **T12T**

1/2" sight tube **HOS12WSIGHT**

45 Litre Tank **TNK45**



1/2" Hose **HOS13P**

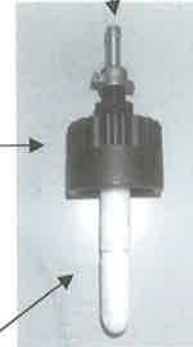
1" PVC Hose **HOS25PVC**

1/2" Hose Clamp **HS006B**

1" Elbow **EL100**

COMPLETE TRANS-CAL RINSE ASSY (lid + nozzle) **L055AC**

Trans-Cal tank lid **L055A**

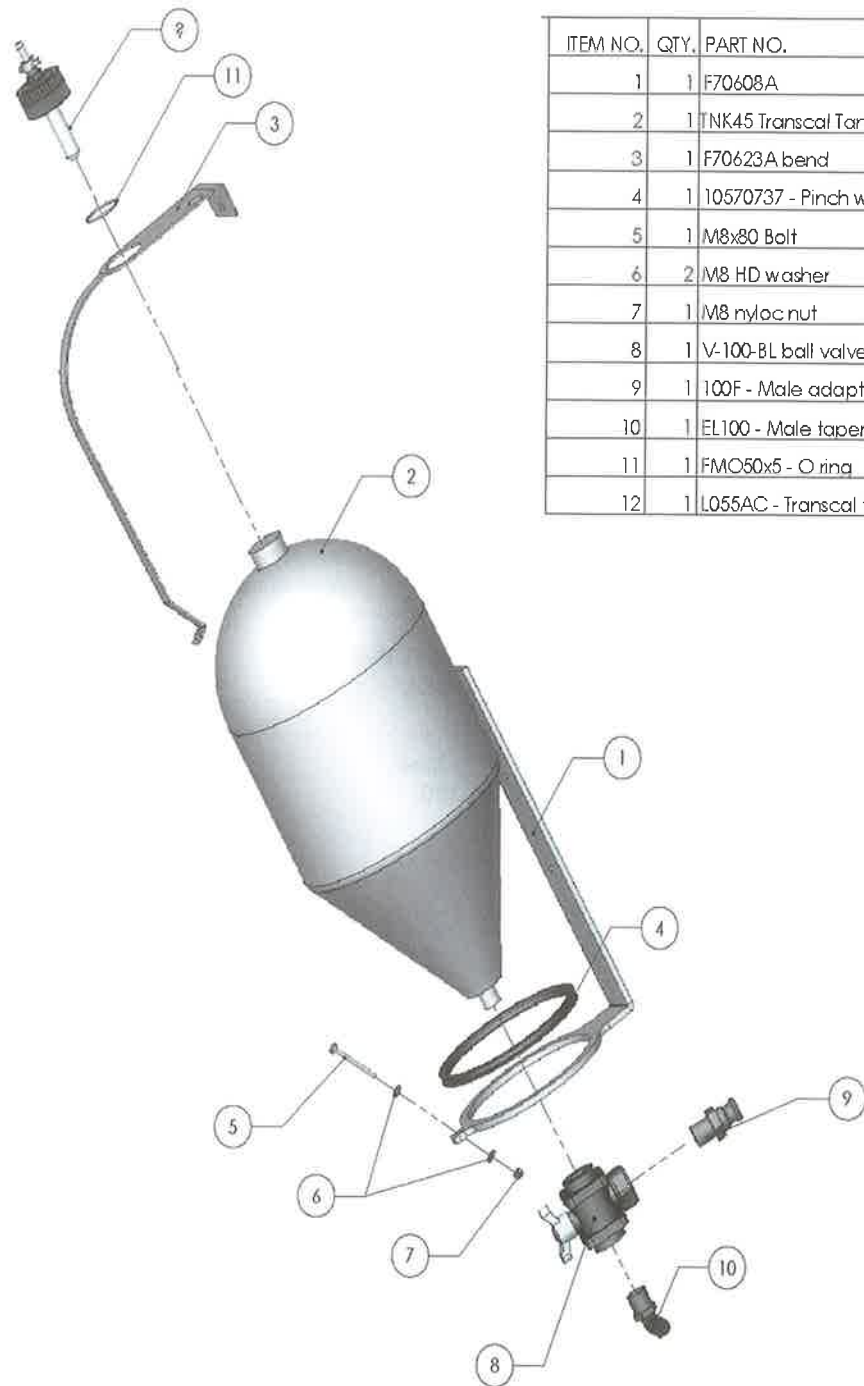


510100 Tank Rinsing Nozzle

The Trans-Cal tank can be easily and thoroughly rinsed with fresh water and thus be ready for the next chemical



TRANS-CAL VOLUMETRIC CHEMICAL TRANSFER SYSTEM AS FITTED TO CURRENT MODEL PRAIRIE ADVANCE



ITEM NO.	QTY.	PART NO.
1	1	F70608A
2	1	TNK45 Transcal Tank
3	1	F70623A bend
4	1	10570737 - Pinch weld
5	1	M8x80 Bolt
6	2	M8 HD washer
7	1	M8 nylon nut
8	1	V-100-BL ball valve
9	1	100F - Male adaptor-Male thread
10	1	EL100 - Male taper pipe thread hose barb
11	1	FMO50x5 - O ring
12	1	L055AC - Transcal tank rinse assembly complete



CHEMICAL TRANSFER STATION

Hopper and TransCal mounted in aluminium cabinet.

- ~ Mixes. ~ Transfers. ~ Measures. ~ Rinses
- ~ Water transfer and other functions done simultaneously.
- ~ TransCal needs 90psi pump.

- CHEMTS-E** Chemical transfer station (including Envirodrum fittings)
- CHEMTS** Chemical transfer station





GOLDACRES EXACTA FOAM MARKERS

Goldacres Exacta Foam Markers are equipped for remote operation with the compressor box mounted on the sprayer. Foam is made in a foam generator which is mounted on the boom.

EX25S	25L Single sided
EX25D	25L Double sided
EX50S	45L Single sided
EX50D	45L Double sided
EX100S	100L Single sided
EX100D	100L Double sided
EX180D	180L Double sided

NOTE: PLEASE SPECIFY SIZE OF BOOM WHEN ORDERING

GOLDACRES STANDARD FOAM MARKERS

The foam is generated in the foam tank. The compressor box is mounted within easy reach of the operator for manual on/off operation.

STD25-12S	Single sided 25L for 12M
STD50-12S	Single sided 50L for 12M
STD25-12D	Double sided 25L for 12M
STD50-12D	Double sided 50L for 12M
SOLVREMS	Switch for Remote Operation - Single sided
SOLVREMD	Solenoid valves & control box for Remote Operation - Double sided
EXCONV-M	Standard manual foam marker to Exacta foam conversion kit
EXCONV-R	Standard remote foam marker to Exacta foam conversion kit

GOLDACRES FOAM CONCENTRATE

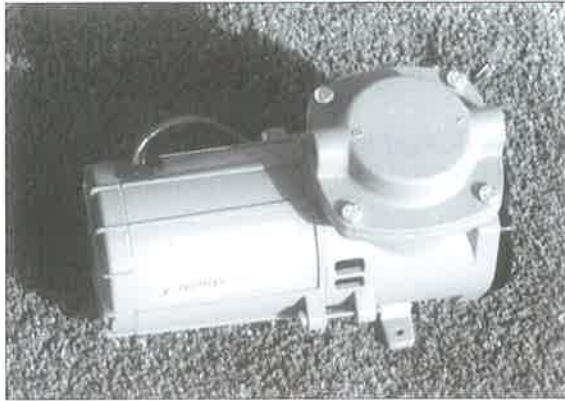
Available in 5 Litre and 20 Litre containers.

FOAM	5L Foam concentrate
FOAM20	20L Foam concentrate





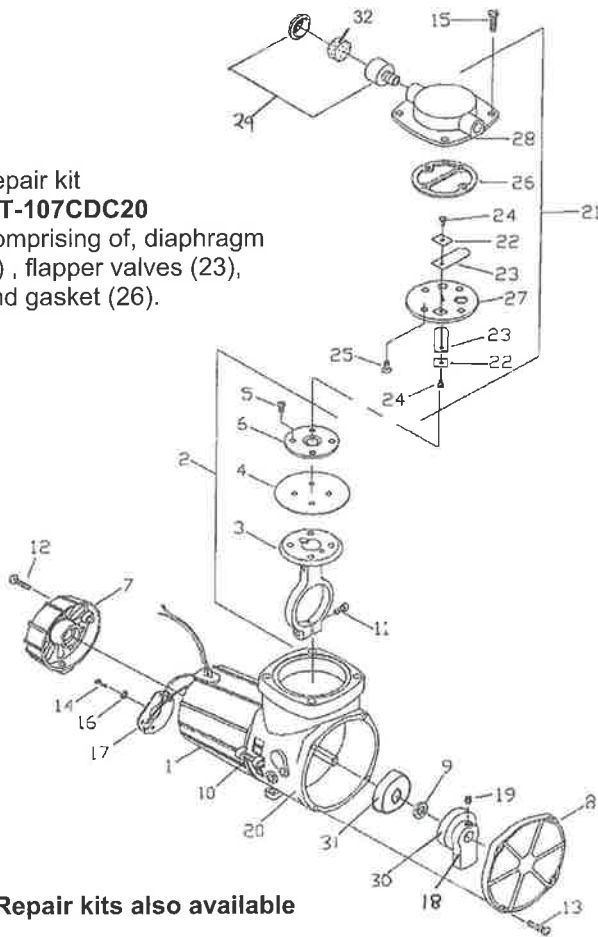
GOLDACRES FOAM MARKER COMPRESSOR



This compressor was used for both the Exacta and Standard foam markers .

107CDC20 Bare compressor

Repair kit
KIT-107CDC20
Comprising of, diaphragm (4) , flapper valves (23), And gasket (26).



Repair kits also available

KIT NO.	PARTS INCLUDED	DESCRIPTION
650293	4, 23 (X2), 32, 26, 15 (x4), 22 (x2), 25 (x4), 24 (x2), 27	Service kit comprising diaphragm, flapper valves, gasket and screws.
660873	28, 4, 23 (X2), 26, 22 (x2), 25 (x4), 24 (x2), 27	Head assembly, comprising valve plate, head, flapper valves and screws.

POS. NO.	PART NO.	DESCRIPTION
1	T602492	Stator Winding
2	T607180	Connecting Rod Assy
3	T607139	Connecting Rod
4	T608148	Diaphragm
5	T625540	Screw - Hold Down Plate
6	T654649	Hold Down Plate
7	T614381	Motor End Cap Assy
8	T614608	Front Cover
9	T615403	Spacer - Eccentric
10	T625058	Screw - Housing
11	T625114	Screw - Connecting Rod
12	T625260	Screw - Motor End Cap
13	T625266	Screw - Front Cover
14	T625407	Screw - Brush
15	T625444	Screw - Head
16	T626516	Lockwasher - Brush
17	T627096	Brush Assembly
18	T645374	Eccentric Drive Lever
19	T625244	Set Screw
20	T660662	Housing
21	T660873	Head & Valve Plate Assy
22	T617045	Valve Keeper Strip
23	T621102	Flapper Valve
24	T625160	Screw - Flapper Valve
25	T625606	Screw - Valve Plate
26	T633439	Gasket - Valve Plate
27	T654129	Valve Plate
28	T660131	Head
29	T660763	Filter
30	6002-2RS1	Bearing - Cam Assy
31	6201Z-8MM	Bearing - Motor Assy
32		Breather

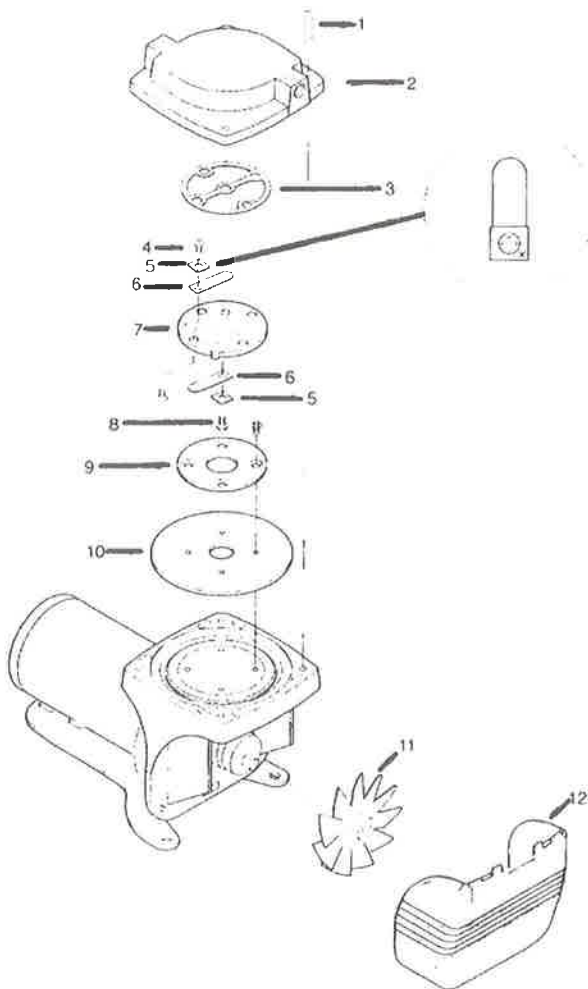


GOLDACRES FOAM MARKER COMPRESSOR



22DI-P103-KGB Gast bare compressor

Compressor no longer available, parts still available, see below.

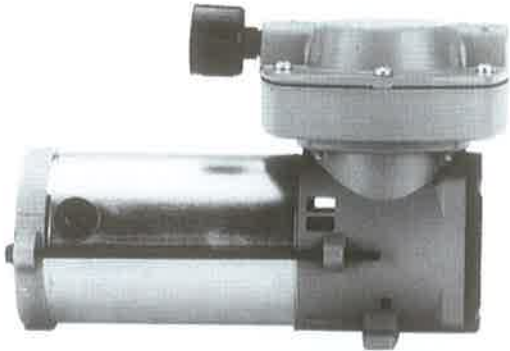


PARTS ORDERING INFORMATION			
Ref. No.	Description	Part Qty	Model#
1	Head Screws	4	SCR1001
2	Head	1	HDC1003
◆3	Head Gasket	1	ACC1018
◆4	Intake Valve Screw	1	SCR1017
◆5	Retainer Valve	2	AF795
◆6	Valve	2	AF819A
7	Valve Plate	1	VPL1003
◆8	Exhaust Valve Screw	1	SCR1015
9	Retainer Plate	1	RPL1001
10	Diaphragm (Neoprene mat'l)	1	DPH1001
11	Fan	1	ACC1001
12	Grille	1	CVR1001
	Service Kit	1	K707

◆ Denotes parts included in the Service Kit
 Parts listed are for stock models. For specific OEM models, consult the factory.
 When corresponding or ordering parts, please provide complete model and serial numbers



GOLDACRES SUPA EXACTA FOAM MARKER COMPRESSOR

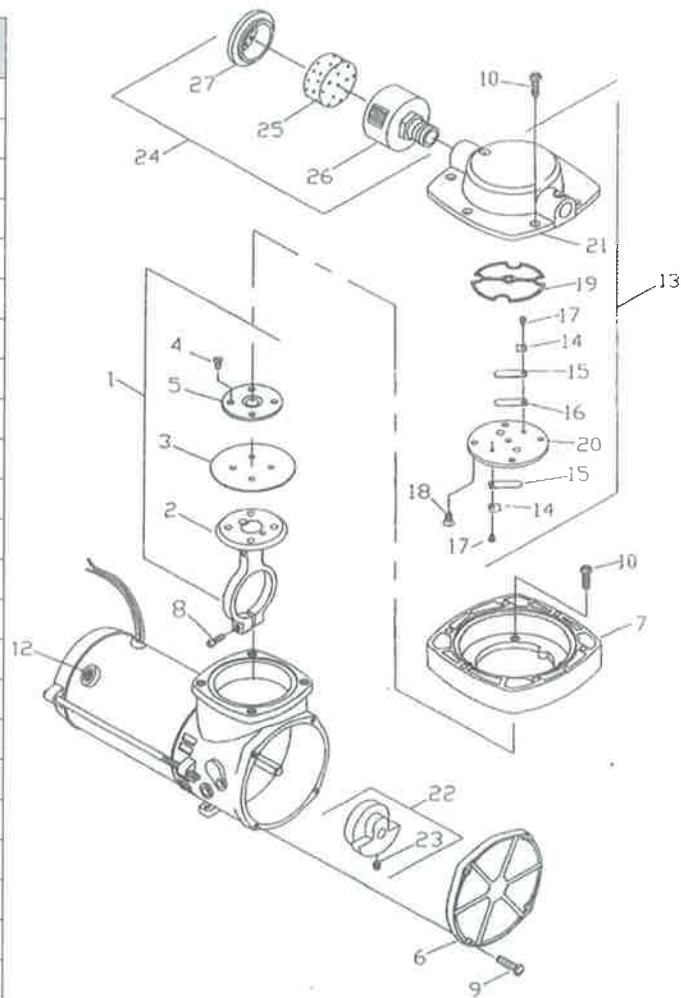


This compressor is used for the **Supa Exacta** foam markers .

910CDC22/12

Bare compressor

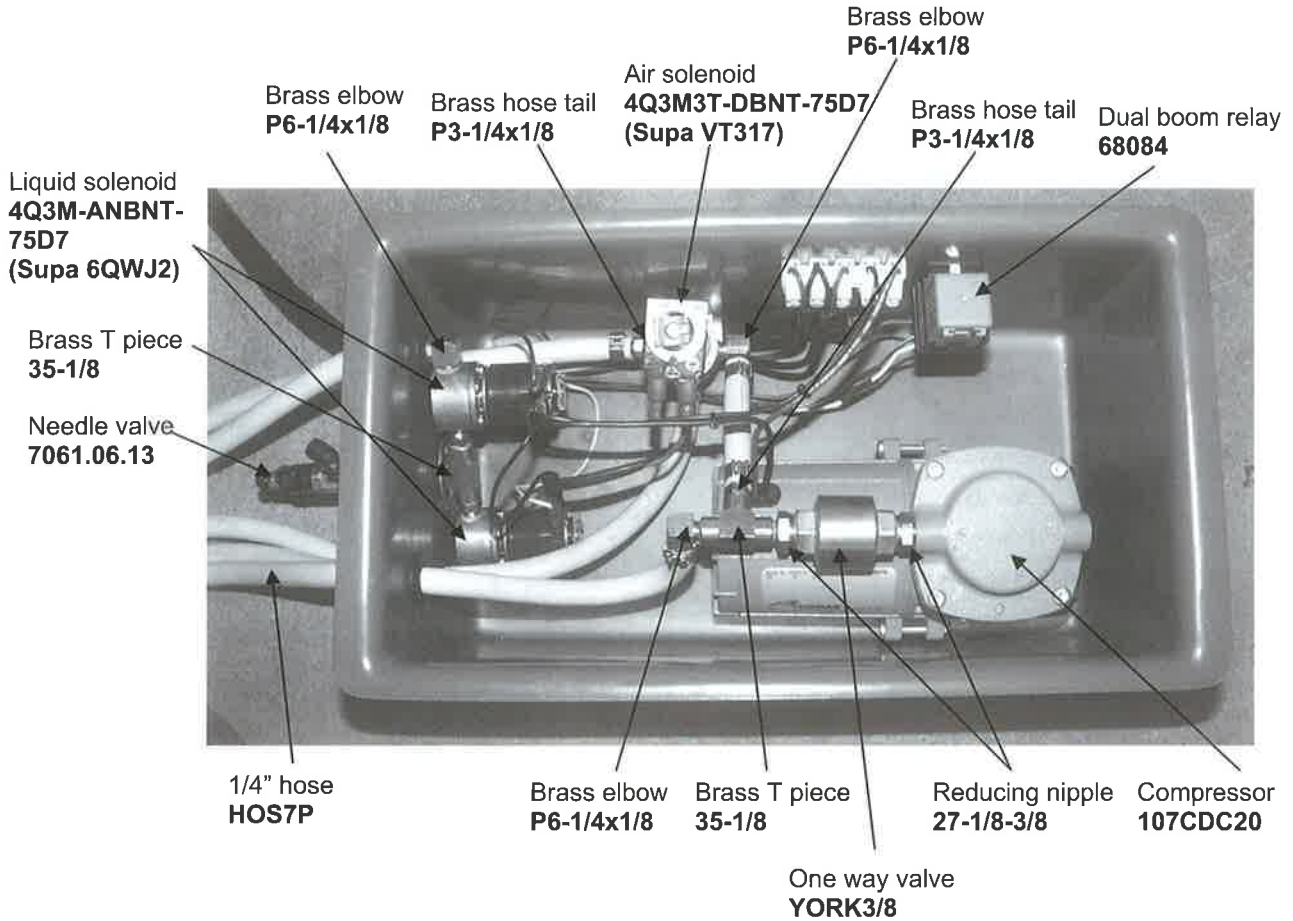
POS. NO.	PART NO.	DESCRIPTION	Qty
1	607476	Connecting rod assembly	1
2	607153	Connecting rod	1
3	608150	Diaphragm	1
4	625540	Screw—Hold down plate	4
5	654966	Hold down plate	1
6	614608	Front cover	1
7	624454-504	Head adapter	1
8	625114	Screw—Connecting rod	1
9	625266	Screw—Front cover	4
10	625444	Screw—Head and Adapter	10
11	627166	Brush (not shown)	2
12	627167	Brush holder cap	2
13	669374-504	Head & Valve plate assembly	1
14	617045	Valve keeper strip	2
15	621102	Valve flapper (intake & exhaust)	2
16	621502	Valve flapper (Plastic)	1
17	625448	Screw—Valve flapper	2
18	625606	Screw—Valve plate	5
19	633560	O ring	1
20	662157	Valve plate	1
21	661661-504	Head	1
22	667375	Eccentric & Bearing assembly	1
23	625244	Set screw—Eccentric	1
24	660587	Filter assembly	1
25	641010	Filter	1
26	660776	Filter body	1
27	660803	Filter body cap	1





EXACTA FOAM MARKER COMPONENTS

THE COMPRESSOR/DIVERTER UNIT:



When ordering a replacement compressor, please note whether the compressor is a GAST or THOMAS compressor.



Compressor Box complete	107CDC20-EX
Foam marker compressor	107CDC20
Box only	FOAMBOX