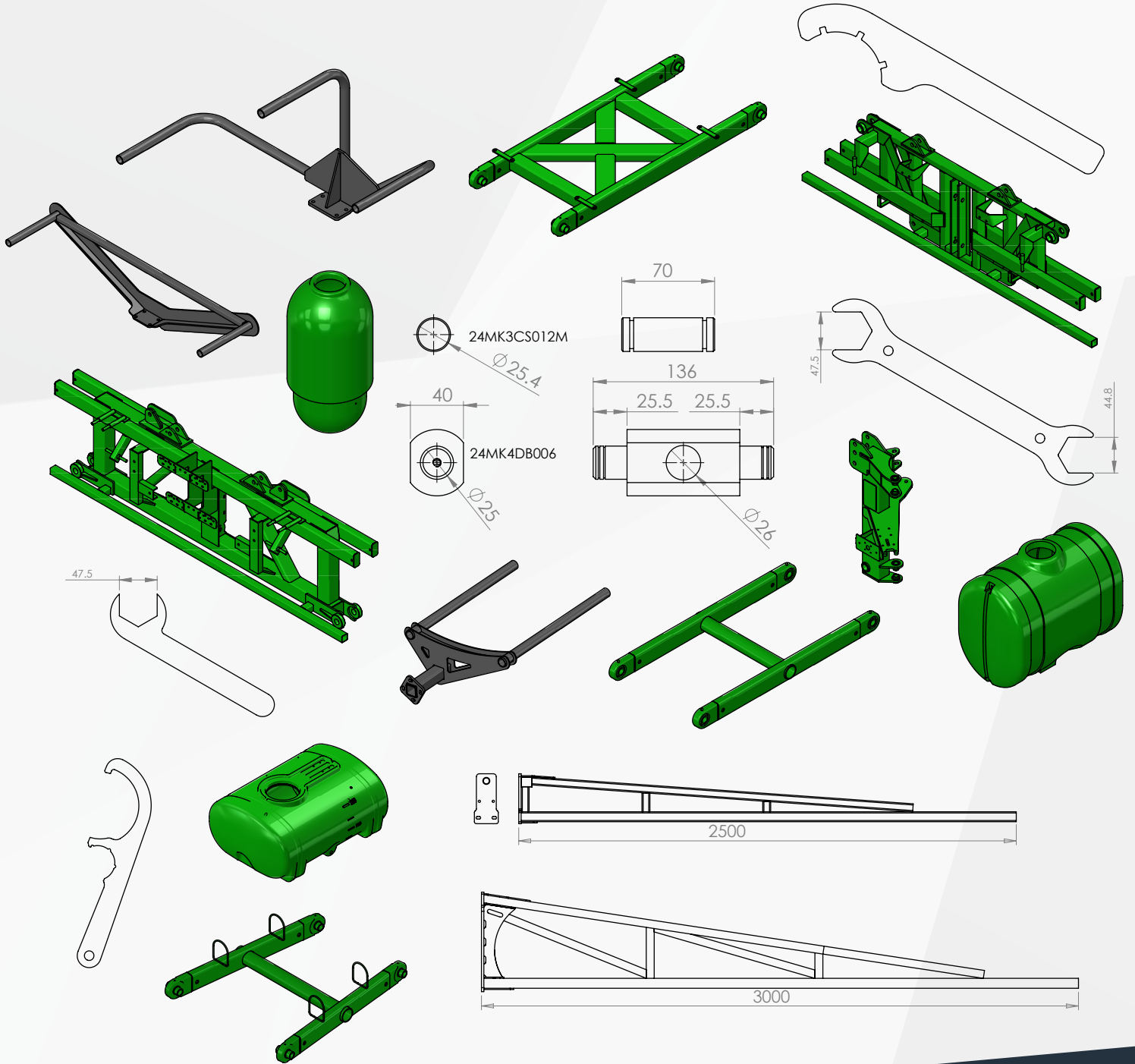


Part Legends Manual

4th Revision



For further information about any of the products shown please visit - www.goldacres.com.au.

© Goldacres Trading 2020

This publication and all designs are copyright.

No part, products or designs may be reproduced by any process except in accordance with the Copyright act 1968.

All information in this operator's manual is based on the latest product information available at the time of printing. The policy of Goldacres is one of continuous improvement and as such, Goldacres reserve the right to alter any specifications and designs without notice and without incurring any obligation regarding such changes.

No part of this manual may be reproduced without written permission from Goldacres. All photographs and technical information remain the property of Goldacres.

Goldacres Trading Pty Ltd
3 Morang Crescent
Mitchell Park Vic 3355

Ph: 03 5342 6399

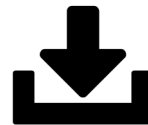
Fax: 03 5342 6308

DOWNLOAD AN ELECTRONIC VERSION OF THIS
MANUAL ON THE GOLDACRES WEBSITE:

goldacres.com.au

Under Parts & Service > Parts Manuals:

GA8700546 - Parts Legend Manual



GOLDACRES - RESELLER TERMS AND CONDITIONS OF SALE
Goldacres Goods are only available for purchase upon the terms and conditions set out below.

- Interpretation**
- (1) In terms and conditions:
 - (2) "Goldacres" means Goldacres Trading Pty. Ltd. A.C.N. 061 306 732 trading as Goldacres Agricultural Equipment (its successors and assigns) which is the seller of the Goods;
 - (3) "Purchaser" means the purchaser of the Goods;
 - (4) "Goods" means the products and, if any, the services sold or provided by Goldacres to the Purchaser;
 - (5) "GST Act" and "GST" are given the meanings referred to in a New Tax System (Goods and Services Tax) Act 1999.
 - (6) "PPSA" means the Personal Property Securities Act 2009 (Cth) (as amended);
 - (7) Nothing in these terms and conditions shall be read or applied so as to exclude, restrict or modify or have the effect of excluding, restricting or modifying, any condition, warranty, guarantee, right or remedy implied by law (including the Competition and Consumer Act 2010) and which by law cannot be excluded, restricted or modified.
- General**
- (1) The Goods and all other products or services provided by Goldacres are provided subject to these terms and conditions. These terms and conditions and any terms and conditions incorporated herein by virtue of clause 3 hereto shall prevail over all other terms and conditions of the Purchaser or otherwise to the extent of any inconsistency.
 - (2) These terms and conditions may not be modified or amended without the expressed written consent of Goldacres endorsed by the Managing Director of Goldacres Trading P/L.
- Additional Terms and Conditions**
- From time to time Goldacres may provide additional or extended warranties in respect of certain goods and/or services. Where such additional or extended warranties are provided to a Purchaser in writing they will be incorporated into these terms and conditions provided that in the event of any inconsistency between these terms and conditions and the terms of any additional or extended warranty, the provisions of the additional or extended warranty shall prevail.
- Goldacres quotations.**
- Unless previously withdrawn, Goldacres quotations are open for acceptance within the period stated therein or, when no period is stated, with 14 days only of the quotation date. Goldacres reserves the right to refuse any order based on any quotation within 7 days of receipt of the order.
- Packing**
- The cost of any special packing and packing materials used in relation to the Goods shall be at the Purchaser's expense notwithstanding that such cost may have been omitted from any quotation.
- Shortage**
- The Purchaser waives any claim for shortage of any Goods delivered if a claim in respect thereof has not been lodged with Goldacres within (7) seven days from the date of receipt of the Goods by the Purchaser.
- Specifications, etc. Catalogues, etc. Quantities**
- All specifications, (including but not limited to: drawings, particulars of weights, volumes, capacities, dimensions, load factors) are approximate only and any deviation shall not be taken to vitiate any contract with Goldacres or form any claim against Goldacres. The descriptions, illustrations, and performances contained in catalogues, price lists and other advertising matter do not form part of the contract of sale of the Goods. Where specifications, drawings or other particulars are supplied by the Purchaser, Goldacres' price is made on estimates of quantities required. There shall be any adjustments in quantities above or below the quantities estimated by Goldacres and set out in a quotation, then any such increase or decrease shall be adjusted on a unit rate basis according to unit prices set out in the quotation.
- Performance, Capacities, Chemicals, Liquids, Application Methods, Environmental Effects**
- Any performance, volumes, and/or capacity figures given by Goldacres are estimates only. Goldacres shall be under no liability for damages for failure to obtain such figures unless specifically guaranteed in writing and any such written guarantee shall be subject to the recognised tolerances applicable to such figures. The suitability of chemicals and other liquids for any application and the application methods and the environmental effects shall be the sole decision and responsibility of the Purchaser and the user of the Goods. Goldacres gives no warranty as to the suitability of any chemicals or other liquids for any application, nor the application methods nor the environmental effects, which may result from the use of the Goods. Goldacres shall be under no liability for damages arising out of the use of any chemicals, liquids, or mixtures in the Goods nor for any application, nor for the application methods nor for the environmental effects, which may result from the use of the Goods.
- Delivery/Service Times**
- The delivery times and service times made known to the Purchaser are estimates only and Goldacres shall not be liable for late delivery, non-delivery or delay and under no circumstances shall Goldacres be liable for any loss, damage or delay occasioned by the Purchaser or its customers arising from the late or non-delivery or late installation of the Goods.
- Loss or damage in transit**
- Goldacres is not responsible for any loss or damage to Goods in transit. Goldacres shall render the Purchaser such assistance as may be necessary to press claims on carriers provided that the Purchaser shall have notified Goldacres and the carriers immediately the loss or damage is discovered on receipt of Goods and shall lodge a claim on the carrier within three days of the date of receipt of the Goods. Insurance of Goods in transit is the responsibility of the Purchaser.
- Limit of Liability**
- (1) Goldacres liability for Goods manufactured by it is limited to:
 - where the law implies consumer guarantees into these terms and conditions pursuant to Part 3.2 Division 1 of Schedule 2 to the Competition and Consumer Act 2010 (Cth) ("consumer guarantees") which cannot be excluded and Goldacres breaches a consumer guarantee, the loss and damage the Purchaser is entitled to at law which cannot be excluded by these terms and conditions;
 - and, in all other cases
 - making good any defects by repairing the same or at Goldacres option by replacement within a period not exceeding either 1000 hours or twelve calendar months, whichever comes first, after the Goods have been dispatched provided that:
 - the defects have arisen solely from faulty materials or workmanship;
 - the Goods have not received maltreatment inattention or interference;
 - accessories of any kind used by the Purchaser are manufactured or approved by Goldacres;
 - where applicable, the seals on the Goods remain unbroken;
 - there has been no improper adjustment, calibration or operation;
 - the use of accessories including consumables, hardware or software (not manufactured by Goldacres) has been approved in writing by Goldacres;
 - no contamination or leakage has been caused or induced;
 - any modification to the Goods has been authorised in writing by Goldacres;
 - there has been no inadequate or incorrect use, storage, handling or application of the Goods;
 - there has been no use or operation of the Goods outside of the physical, electrical or environmental specifications of the Goods;
 - there has been no inadequate or incorrect site preparations;
 - there has been no inadequate or improper maintenance of the Goods;
 - it has not been caused by fair wear and tear; and
 - firstly the Goods have been thoroughly inspected and any damage (from whatever cause) to the Goods (and in particular – the structure, welding, seams, bolts, booms) has been repaired prior to the Goods being operated, used driven or moved and on each occasion the tanks are filled; and
 - there has been no failure to comply with the requirements of all present or future laws or regulations relating to the Goods and/or the use and/or the operation of the Goods; and
 - there has been no failure to maintain a record of hours of operation (which record shall contain full details of all inspections, repairs and maintenance) and produce same to Goldacres at the time of the claim;
 - the defective Goods or any damaged part of the Goods are promptly returned free of cost to Goldacres or a representative of Goldacres; (xviii) all warranty related repairs have been carried out with the prior authorisation of Goldacres;
 - If Goods of any part thereof are not manufactured by Goldacres, in particular engines, engine accessories, transmissions, transfer cases, differentials, tyres, tubes, batteries, radios and UHF's, the guarantee of the manufacturer thereof shall be accepted by the Purchaser and is the only guarantee given to the Purchaser in respect of the Goods or that part provided always that this clause does not seek to exclude the consumer guarantees;
 - In the case of hydraulic systems, Goldacres shall replace defective parts in accordance with clause 11(1) of these conditions, provided that the failure of the part was not related to contamination within the system, Goldacres shall not be liable for labour in the case of repairing hydraulic system defects;
 - Goldacres will not accept liability for damage attributed to fair wear and tear including but not limited to fair wear and tear to nozzles, chains, belts, filters, brake pads, polyethylene bushes and liquid pump valves, valve O-rings, diaphragms and seals;
 - Goldacres shall not be liable for and the Purchaser releases Goldacres from any claims in respect of faulty or defective design of any Goods supplied unless such a design has been wholly prepared by Goldacres and the responsibility for any claim has been specifically accepted by Goldacres in writing and in any event, Goldacres liability hereunder shall be strictly limited to the replacement of defective parts in accordance with paragraph 11(1) of these conditions provided always that this clause does not seek to exclude the consumer guarantees; Except as provided herein, all express and implied warranties, guarantees and conditions under statute or general law as to the merchantability, description, quality, suitability or fitness of the Goods for any purpose or as to design, assembly, installation, materials or workmanship or otherwise are hereby expressly excluded and Goldacres shall not be liable for physical or financial injury, loss or damage or for consequential loss or damage of any kind arising out of the supply, layout, assembly, installation or operation of the Goods or arising out of Goldacres negligence or in any other way whatsoever;
 - The benefit of any warranty provided under these terms and conditions shall only be available to the Purchaser and shall not be transferable by the Purchaser;
 - The warranties provided under these terms and conditions do not extend to second hand or used Goods that may be sold by Goldacres.
- Goldacres liability for breach of a consumer guarantee is hereby limited (in the case of goods and services not used for personal, domestic or household purposes) to:
 - in the case of Goods, any one or more of the following:
 - the replacement of the Goods or the supply of equivalent Goods;
 - the repair of the Goods;
 - the payment of the cost of replacing the Goods or acquiring the equivalent Goods;
 - the payment of having the Goods repaired; or
 - in the case of services;
 - the supplying of the services again; or
 - the payment of the cost of having the services supplied again.
- Prices**
- (1) Unless otherwise stated in writing by Goldacres, all prices quoted by Goldacres are inclusive of GST for supplies within Australia and exclusive of GST for exports outside of Australia. Prices quoted are those ruling at the time of quotation or the date the price is given and are based on rates of freight, insurance, customs, duties, taxes, exchange, shipping expenses, sorting and stacking charges, cartage, cost of materials and other charges affecting the cost of production ruling on that date and any alterations thereto either before acceptance of or during currency of the contract shall be to the Purchaser's account.
 - For the purpose of 38-185 of the GST Act, the day upon which the seller gives the invoice for the supply shall be the date of the invoice.
- Payment**
- (1) The purchase price in relation to the Goods and the cost of the service shall be payable without deduction and or set off and payment thereof shall be made on or before the thirtieth day of the month following the delivery of the Goods or performance of the services unless other terms of payment are expressly stated in writing.
 - A decreasing or increasing adjustment and/or the issuing of an adjustment note, pursuant to Division 21 and Division 29-C of the GST Act, shall not, in any way, constitute a release, waiver, or forgiveness of the debt incurred by the Purchaser.
- Interest on overdue payments**
- If Goldacres is not paid for any Goods or services on the due date specified in this agreement without prejudice to any other right or remedy, all outstanding money shall bear interest at the rate set, pursuant to the Penalty Interest Rates Act, Victoria, 1986, as such money, together with interest shall be recoverable forthwith from the Purchaser.
- Rights in relation to Goods.**
- (1) Title to the Goods supplied by Goldacres to the Purchaser shall remain with Goldacres until the total amount due in respect of the Goods and all monies owing to Goldacres have been paid in full (the "Debts"). Risk in the Goods shall pass to the Purchaser upon delivery.
 - The Purchaser shall have the right to resell Goods but only as fiduciary agent and trustee for Goldacres by way of bona fide sale at full market value and in the ordinary course of its business.
 - Until all the Debts have been paid in full:
 - the Purchaser shall take custody of the Goods as trustee, fiduciary agent and bailee for Goldacres;
 - the Purchaser shall keep the Goods separate from any other goods and properly marked, stored, protected and insured;
 - the Purchaser must hold all of the money it receives ("Proceeds");
 - from the sale of any property into which Goods supplied have been incorporated; and
 - from the sale of Goods or provision of services including the Goods supplied by the Goldacres as bailee, fiduciary agent and trustee for Goldacres, but the Purchaser need not hold on trust any money exceeding the amount of the Debts at the time the money is received.
 - The Purchaser expressly acknowledges that it is bound by the fiduciary obligation created in the preceding paragraph and acknowledges that:
 - it must hold the Proceeds on trust for Goldacres;
 - it must place the whole of the Proceeds in an account separate from its own moneys (the "Proceeds Account");
 - it must maintain the Proceeds Account separate from its own moneys at all times.
 - it must maintain proper records for the Proceeds Account.
 - it must not assign or encumber any book debts arising from sales made in circumstances set out in clauses 16(c)(i) and (ii) or do any other act in derogation of Goldacres' legal or beneficial interests; and
 - it must account to Goldacres on demand for all moneys standing to the credit of such account.
 - For the purposes of identification of different consignments of Goods purchased from Goldacres and receipt of Proceeds, the Purchaser agrees that the principle of "Last In, First Out" shall be applied to any items that cannot be distinguished.
 - Goldacres may trace the Proceeds in equity.
 - Goldacres may at any time, without notice to the Purchaser and without prejudice to any other rights which it may have against the Purchaser, terminate any contract connected with the Goods and the bailment referred to in clause 16(3) and enter upon any premises owned or occupied by the Purchaser where Goldacres reasonably believes the Goods may be stored, and repossess the Goods without liability for any damage caused, and subsequently dispose of the Goods at Goldacres' discretion if:
 - the Debts are not paid in accordance with these terms and conditions or any other contract or arrangement between Goldacres and the Purchaser; or
 - Goldacres receives notice of or reasonably believes that:
 - a third person may attempt to levy execution against the Goods; or
 - the Purchaser is insolvent (within the meaning of the Corporations Act 2001) or bankrupt; or
 - the Purchaser has entered into any arrangement or composition with its creditors, gone into liquidation, or has appointed a receiver, a receiver and manager or administrator.
 - If after repossession under clause 16(4) Goldacres sells the Goods, Goldacres shall account to the Purchaser for any proceeds of sale (less expenses of repossession and sale) that exceeds the amount of the outstanding Debts.
 - If any Goods belonging to Goldacres are disposed of by the Purchaser or an insurance claim is made in respect of them, Goldacres shall be entitled to trace the sale or insurance proceeds, which proceeds shall be held by the Purchaser in a separate bank account on trust for Goldacres.
 - The Purchaser agrees and acknowledges that in the event it sells Goods to a third party on account, it will include in its terms and conditions of sale a provision under which the Purchaser retains title to the Goods until such time that the total amount due in respect of the Goods and all monies owing to the Purchaser have been paid in full by that third party debtor. The Purchaser also agrees and acknowledges that in these instances, it will register its PMSI in accordance with the PPSA in respect of its security interest in the Goods.
- PPSA provisions**
- (1) The Purchaser acknowledges that these terms and conditions constitute a security agreement for the purposes of section 20 of the PPSA and that a security interest exists in all Goods (and any associated Proceeds from their sale) previously supplied by Goldacres to the Purchaser (if any) and in all future Goods (and any associated Proceeds from their sale) that may be supplied to the Purchaser by Goldacres.
 - The Purchaser acknowledges that Goldacres has a first ranking purchase money security interest ("PMSI") (as defined in section 14 of the PPSA) in the Goods and the Purchaser must not jeopardise such ranking (whether by act or omission).
 - The Purchaser acknowledges that it has received value as at the date of first delivery of the Goods and has not agreed to postpone the time for attachment of the security interest (as defined in the PPSA) granted to Goldacres under these terms and conditions.
 - The Purchaser will execute documents and do such further acts as may be required by Goldacres to register the security interest granted to Goldacres under these terms and conditions under the PPSA.
 - Until ownership of the Goods passes, the Purchaser must not give to Goldacres a written demand or allow any other person to give Goldacres a written demand requiring Goldacres to register a financing change statement under the PPSA in respect of Goldacres' interest in the Goods.
 - The Purchaser must indemnify Goldacres and on demand reimburse Goldacres for all costs and expenses incurred by Goldacres in respect of these terms and conditions including but not limited to Goldacres registering its security interest in the Goods, lodging, discharging or amending any financing statement or financing change statement, or otherwise complying with the PPSA.
 - The Purchaser agrees (other than as provided in these terms and conditions) not to sell, lease, mortgage, deal with, dispose of or create or attempt to create any other security interest in or affecting the Goods unless and until the Purchaser's Debts have been satisfied.
 - The Purchaser waives its rights under the following provisions of Chapter 4 of the PPSA:
 - to receive a notice on enforcement action against liquid assets (section 121(4));
 - to receive a notice to seize collateral (section 123);
 - to receive a notice of disposal of Goods by Goldacres purchasing the Goods (section 129);
 - to receive a notice to dispose of Goods (section 130);
 - to receive a statement of account following disposal of Goods (section 132(2));
 - to receive a statement of account if no disposal of Goods for each 6 month period (section 132(4));
 - to receive notice of any proposal of Goldacres to retain Goods (section 135(2));
 - to object to any proposal of Goldacres to either retain or dispose of Goods (section 137(2));
 - to redeem the Goods (section 142);
 - to reinstate the security agreement (section 143);
 - to receive a notice of any verification statement (section 157(1) and section 157(3));
 - The Rights Goldacres may have under the PPSA are supplementary and in addition to those set out in these terms and conditions and do not derogate from the rights and remedies of Goldacres under these terms and conditions or under any other statute or under general law.
 - The Purchaser must give 10 business days prior written notice of any proposed change in the Purchaser's name or other identifying characteristics and details.
- Purchasers property**
- Any property of the Purchaser under Goldacres' custody or control shall be entirely at the Purchaser's risk as regards loss or damage caused to the property or by it.
- Storage**
- Goldacres reserves the right to make a reasonable charge for storage if delivery instructions are not provided by the Purchaser within (14) fourteen days of a request by Goldacres for such information.
- Returned Goods**
- Goldacres shall not be under any obligation to accept Goods returned by the Purchaser and will do so only on terms to be agreed in writing in each individual case.
- Goods sold**
- All Goods to be supplied by Goldacres shall be described on the purchase order agreed by Goldacres and the Purchaser and the description on such purchase order modified as so agreed shall prevail over other descriptions including any Purchaser's specification or enquiry.
- Cancellation**
- No order may be cancelled except with the consent in writing and on terms, which will indemnify Goldacres against all losses.
- No waiver**
- The failure of any party to enforce the provisions of these terms and conditions or to exercise any rights expressed in these terms and conditions shall not be a waiver of such provisions or rights and shall not affect the enforcement of this agreement. The exercise by any party of any of its rights expressed in this agreement shall not preclude or prejudice such party from exercising the same or any other rights it may have irrespective of any previous action taken by that party.
- Force Majeure**
- If by reason of any fact, circumstance, matter or thing beyond the reasonable control of Goldacres is unable to perform in whole or in part any obligation under these terms and conditions then Goldacres shall be relieved of that obligation under these terms and conditions to the extent and for the period that it is so unable to perform and shall not be liable to the Purchaser in respect of such liability.
- Passing of risk**
- Risk in the Goods shall pass to the Purchaser upon delivery of the Goods to the Purchaser or collection of the Goods by the Purchaser's agent or carrier as the case may be.
- Exclusion of liability**
- To the extent permitted by law Goldacres shall not be liable to the Purchaser in contract or in tort arising out of, or in connection with, or relating to, the performance of the Goods or any breach of these conditions or any fact, matter or thing relating to the Goods or error (whether or not it is negligent or a breach of contract) in information supplied to the Purchaser or a user before or after the date of the Purchaser's or user's use of the Goods and Goldacres shall be under no liability for damages arising out of the use of any chemicals, liquids, or mixtures in the Goods, nor for any application, not for the application methods nor for the environmental effects, which may result therefrom or from the use of the Goods.
- Exclusion of representations and arrangements**
- To the extent permitted by law the terms and conditions supersede and exclude all prior and other discussions, representations (contractual or otherwise) and arrangements relating to the supply of the Goods or any part thereof or resulting in the general performance of the foregoing, those relating to the performance of the Goods or any part thereof or the results that ought to be expected from using the Goods.
- Place of contract**
- The contract for sale of the Goods and the provision of the services is made in the State of Victoria and the Purchaser agrees to submit all disputes arising with Goldacres to the courts of such State and any court competent to hear appeals therefrom.

Contents

| | |
|------------------------------|------------|
| 1 BOOMS | 7 |
| 2 CENTRE SECTIONS | 21 |
| 3 MUDGUARDS | 27 |
| 4 PARALIFT ARMS | 33 |
| 5 PINS | 37 |
| 6 SPANNERS | 53 |
| 7 TANKS | 61 |
| 8 BOOM POLY | 81 |
| 9 HYDRAULIC CYLINDERS | 85 |
| 10 PUMPS | 99 |
| 11 PLASTIC CAPS | 109 |

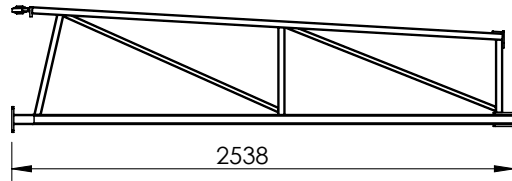
Chapter I

BOOMS

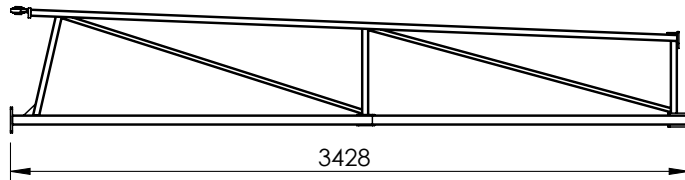
All dimensions shown are in millimeters (mm)

Boom length shown is from mounting face to centre of boom pivot hole. Measurement could be $\pm 15\text{mm}$

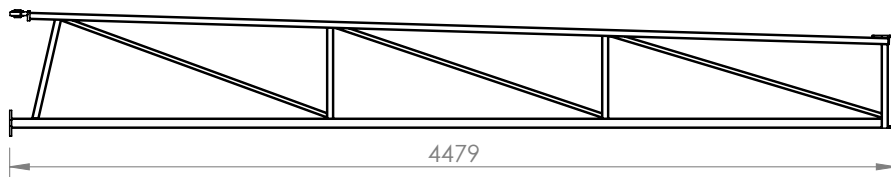
Inner Wings - Delta



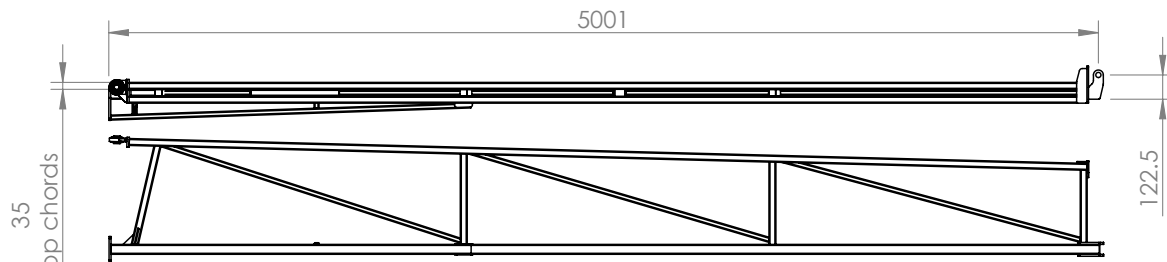
GA4655630 12M Delta Wing Mk2 RH
GA4655635 12M Delta Wing Mk2 LH



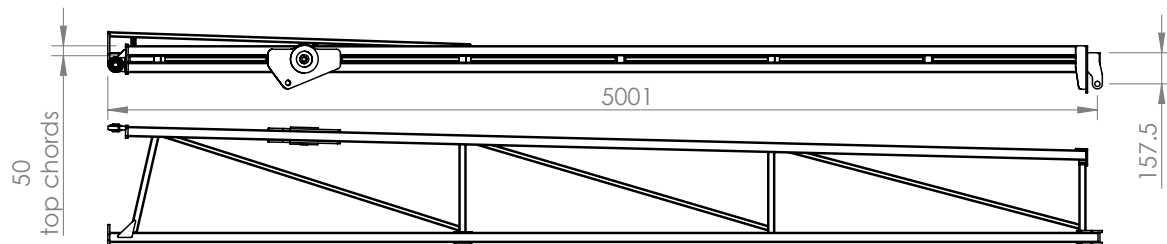
GA4655631 Boom inner suit 12m to 15m RH
GA4655636 Boom inner suit 12m to 15m LH



GA5001191 - 18m Delta Boom

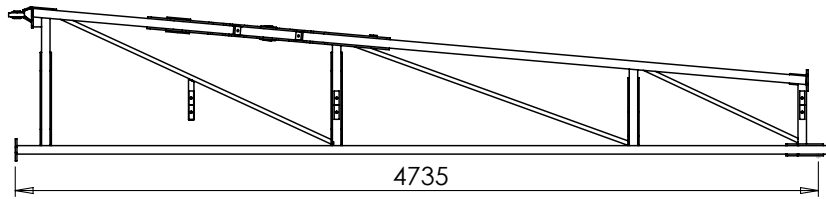


GA4655640 Boom wing, Inner, 18 - 24m Delta boom, Mk2 RH
GA4655645 Boom wing, Inner, 18 - 24m Delta boom, Mk2 LH



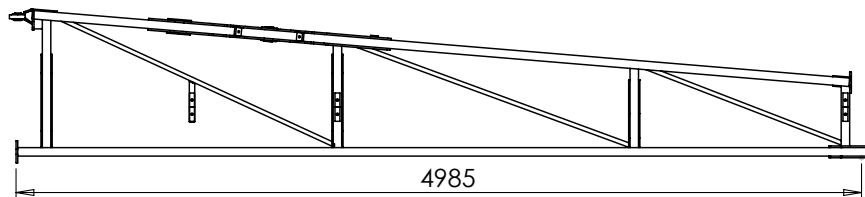
18-24m Heavy Delta
GA4657720 Inner delta boom 21m heavy RH
GA4657725 Inner delta boom 21m heavy LH

Inner Wings - TriTech



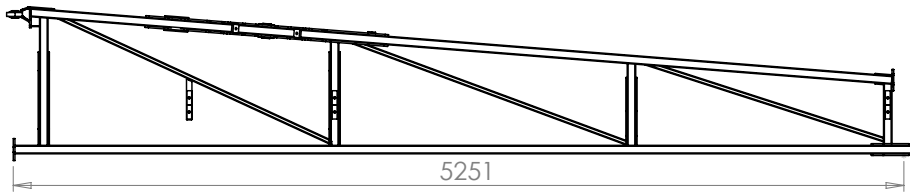
24m Mk 5.0 Inner Wing

- GA4655680 Boom inner 24m Mk5 RH
- GA4655681 Boom inner 24m MK5 Bi-Fold RH
- GA4655685 Boom inner 24m Mk5 LH
- GA4655686 Boom inner 24m Mk5 Bi-Fold LH



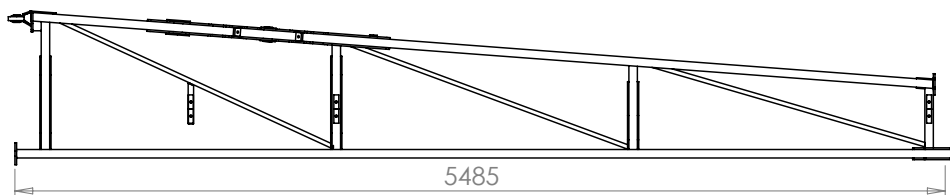
24m Mk 4.0 Inner Wing

- GA4655670 Boom inner 24m Mk4 RH
- GA4655671 Boom inner 24m Mk4 Bi-Fold RH
- GA4655675 Boom inner 24m Mk4 LH
- GA4655676 Boom inner 24m MK4 Bi-Fold LH



24m Mk 2.0 Inner Wing

- GA4655650 Boom inner 24m MK2 RH
- GA4655651 Boom inner 24m MK2 Bi-Fold RH
- GA4655655 Boom inner 24m MK2 LH
- GA4655656 Boom inner 24m MK2 Bi-Fold LH

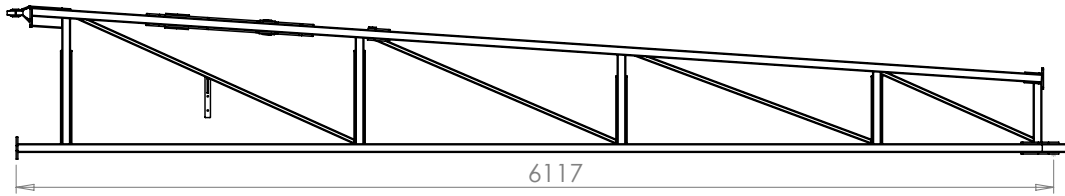


24m Mk 3.0 Inner Wing

- GA4655660 Boom inner 24m MK3 RH
- GA4655661 Boom inner 24m MK3 Bi-Fold RH
- GA4655665 Boom inner 24m MK3 LH
- GA4655666 Boom inner 24m MK3 Bi-Fold LH

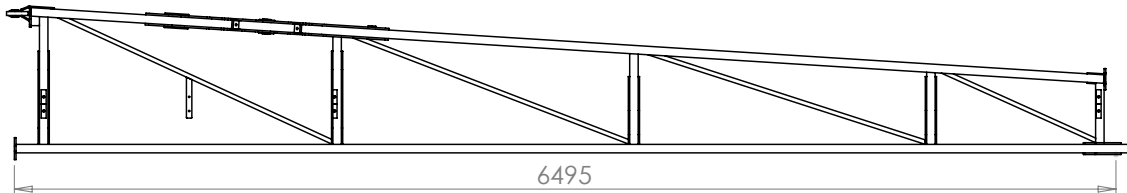
Not Shown

- GA4655690 24M Mk3 Row Crop Inner Wing Assembly RH
- GA4655695 24M Mk3 Row Crop Inner Wing Assembly LH



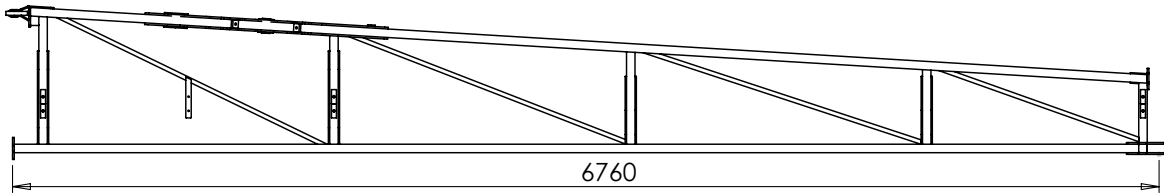
24m-30m TriTech Inner Wing 2011

GA4656780 Boom wing, Inner, 24 - 30m, RH, Trailing sprayer
 GA4656785 Boom wing, Inner, 24 - 30m, LH, Trailing sprayer



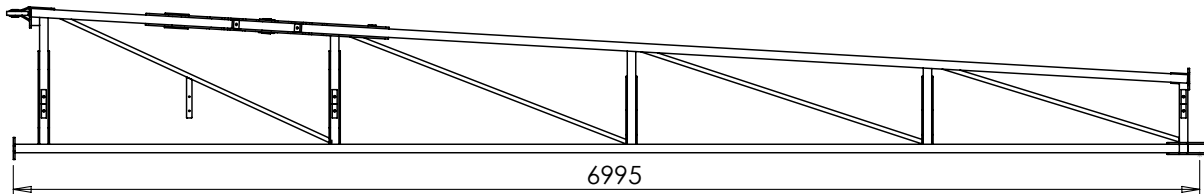
28-30m Mk 4.0 Inner Wing

GA4655720 Boom inner 28-30M Mk4 RH
 GA4655721 Boom inner 28-30m MK4 Bi-Fold RH
 GA4655725 Boom inner 28-30M Mk4 LH
 GA4655726 Boom inner 28-30m MK4 Bi-Fold LH



28-30m Mk 2.0 Inner Wing

GA4655700 Boom inner 28-30M Mk2 RH
 GA4655701 Boom inner 28-30m MK2 Bi-Fold RH
 GA4655705 Boom inner 28-30M Mk2 LH
 GA4655706 Boom inner 28-30m MK2 Bi-Fold LH

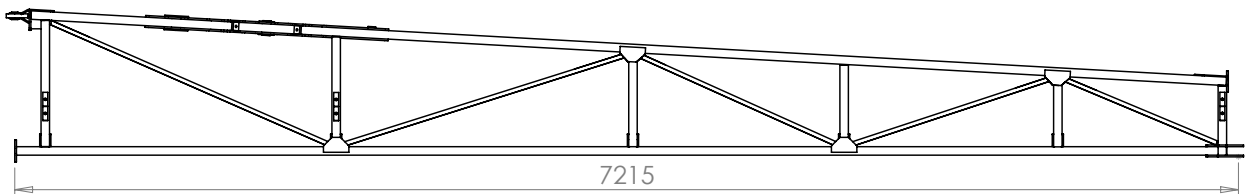


28-30m Mk 3.0 Inner Wing

GA4655710 Boom inner 28-30M Mk3 RH
 GA4655711 Boom inner 28-30m MK3 Bi-Fold RH
 GA4655715 Boom inner 28-30M Mk3 LH
 GA4655716 Boom inner 28-30m MK3 Bi-Fold LH

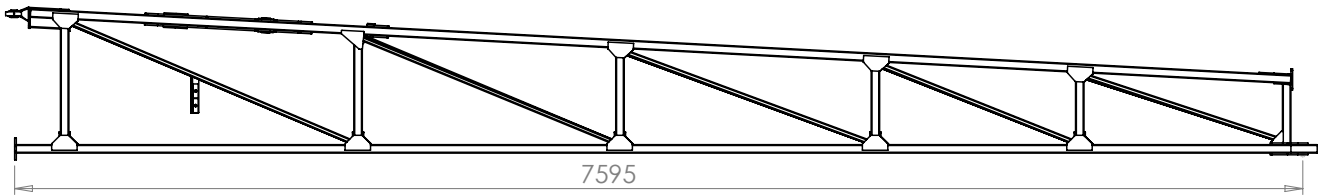
Not Shown

GA4655740 28-30M Row Crop Inner Wing Assembly RH
 GA4655745 28-30M Row Crop Inner Wing Assembly LH

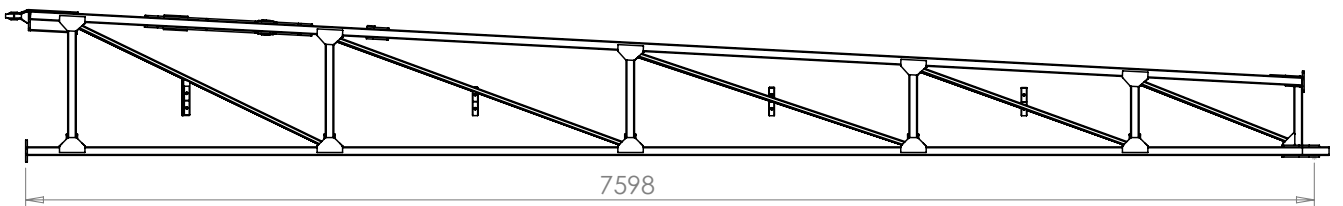


33m Mk 4.0 Inner Wing

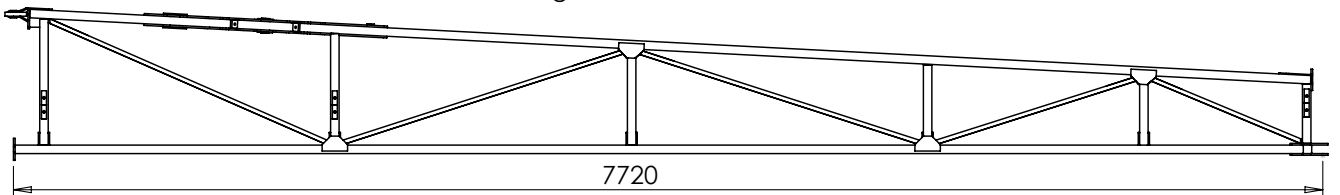
GA4655750 33M Mk4 Inner Wing Assembly RH
 GA4655755 33M Mk4 Inner Wing Assembly LH



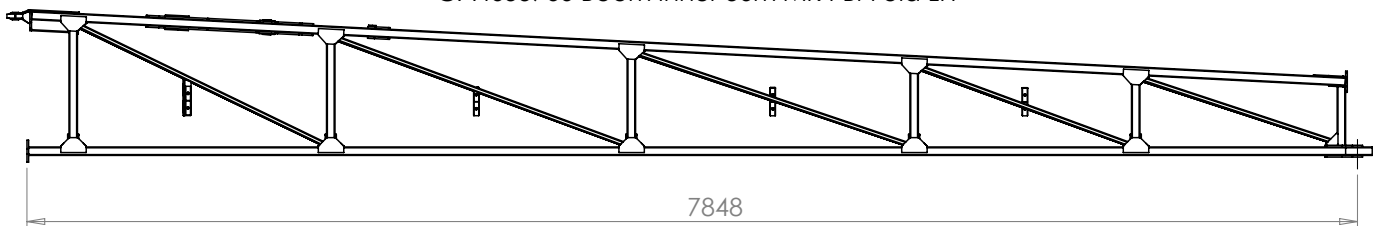
33-36m Tritech 2011 Inner Wing
 GA4656790 Inner Wing 36m RH suit EVO centre
 GA4656795 Inner Wing 36m LH suit EVO centre



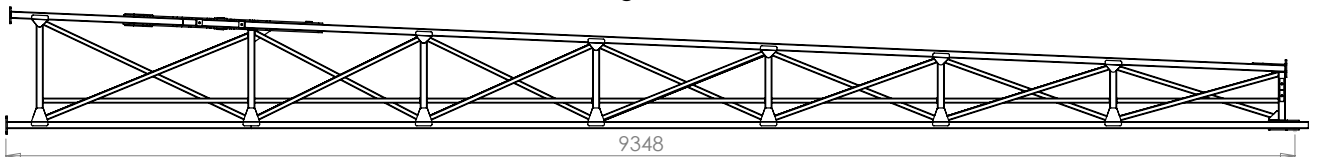
24-36m Tritech 2011 Inner Wing SP Flat Fold
 GA4656820 Boom wing, Inner, 36m, Right hand side, SP Flat Fold
 GA4656825 Boom wing, Inner, 36m, Left hand side, SP Flat Fold



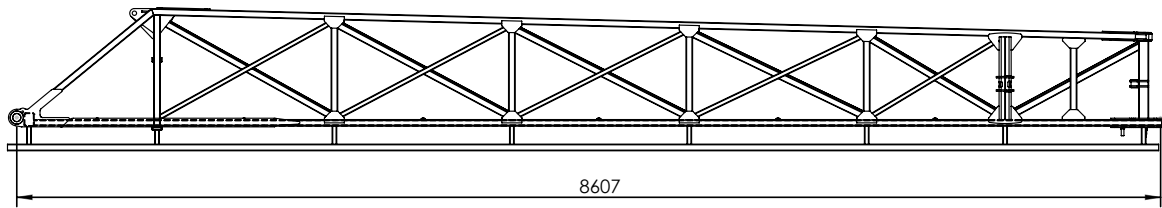
36m Mk 4.0 Inner Wing
 GA4655760 Boom inner 36m MK4 RH
 GA4655761 Boom inner 36m MK4 Bi-Fold RH
 GA4655765 Boom inner 36m MK4 LH
 GA4655766 Boom inner 36m MK4 Bi-Fold LH



24-36m Tritech 2015 Inner Wing SP Flat Fold
 GA4656821 - Inner Wing 36m RH suit SP Tritech MY15
 GA4656826 - Inner Wing 36m LH suit SP Tritech MY15



42m Inner Wing
 GA4659260 Boom inner 42m RH
 GA4659265 Boom inner 42m LH
 GA4660175 Boom Inner Section 42m LH suit Dual Fold Cylinder
 GA4660180 Boom Inner Section 42m RH suit Dual Fold Cylinder

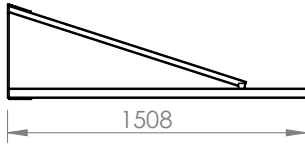
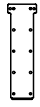


48m Inner Wing

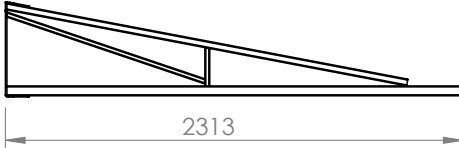
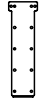
GA4600635 - Boom Inner 48m LH - 8607 mm

GA4600640 - Boom Inner 48m RH - 8607 mm

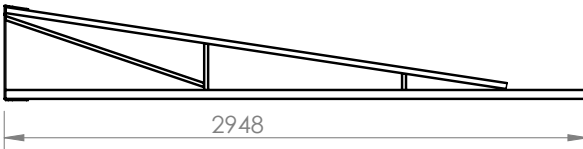
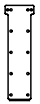
Outer Wings - Delta - Steel



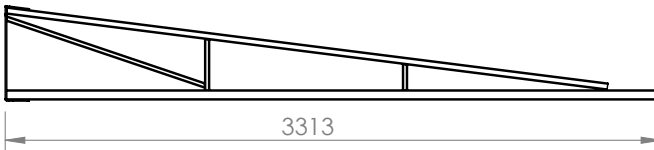
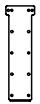
GA4655920 - 12M Mk2 Outer Wing Assembly



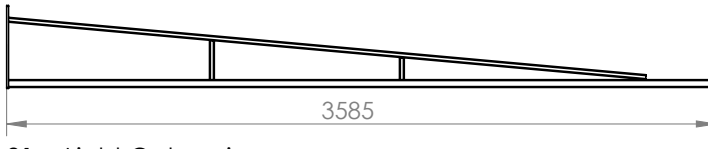
12M Mk2 Outer Wing Assembly



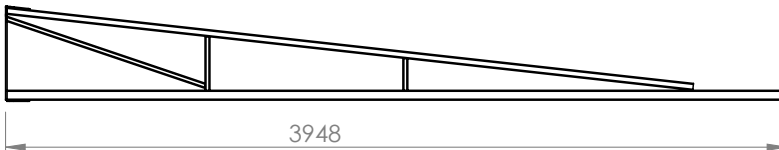
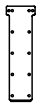
GA4655925 - Boom outer 18M Mk2



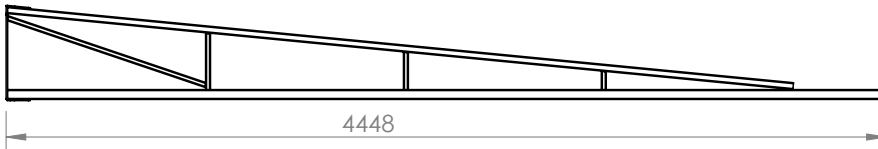
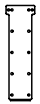
14m Mk2.0 Outer wing



21m Light Outer wing

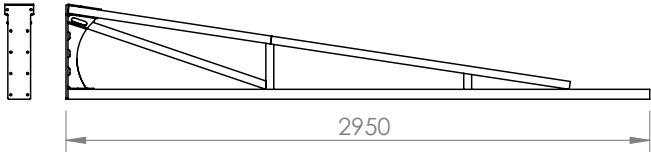


GA4655928 - Outer Wing Assembly for 20M Delta Boom

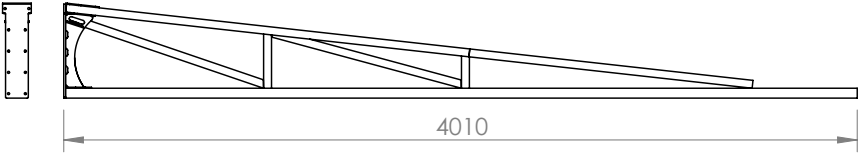


GA4655930 - Outer Wing Assembly for 21M Delta Boom

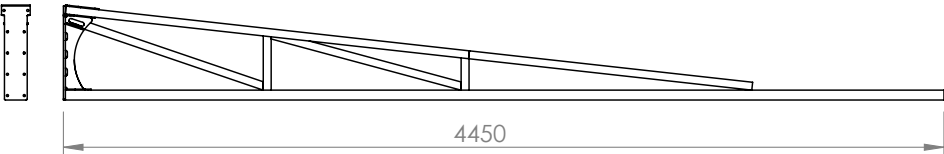
Outer Wings - Delta - Aluminium



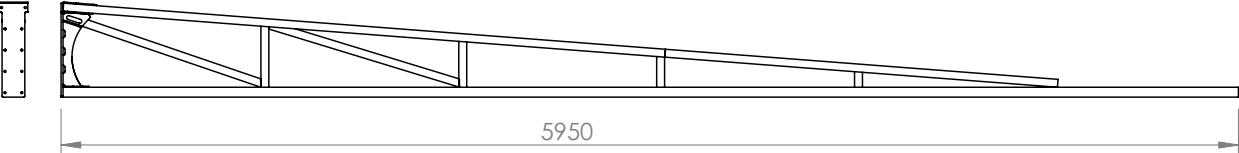
GA4657775 - 15m - 18m Aluminium outer (3m)



GA4661685 - 18M Aluminium outer suit 18m delta inner

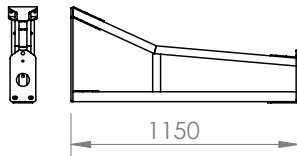


GA4657770 - 18M Aluminium outer suit 15m delta inner

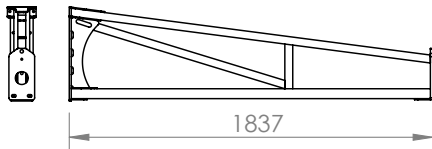


GA4655935 - Aluminium Boom Outer for 24M Boom(Light Weight Delta)

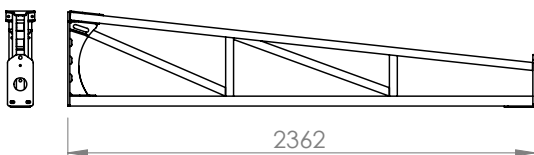
Outer Wings - Delta - Breakaway Type



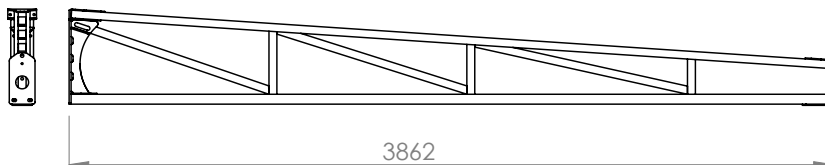
GA4656057 - Boom outer 18m ALU LW breakaway



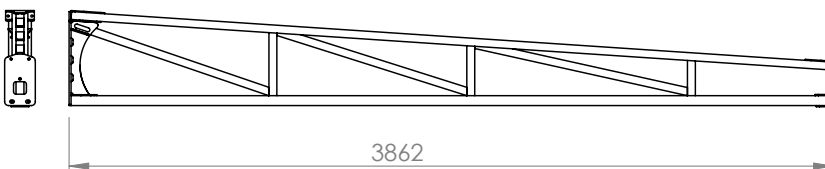
GA4661630 - 18m Boom, Outer, Aluminium, St Arnaud



GA4656056 - Boom outer 21m ALU LW breakaway

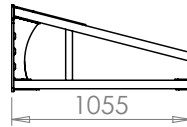


GA4656055 - Boom wing, Outer, Aluminium, 24m, Delta boom



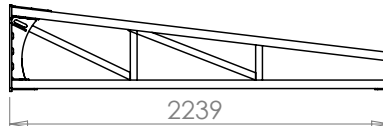
GA4659970 - Boom, Outer 24m ALU Lightweight suit Breakaway 3D 2.0

Outer Wings - TriTech 24-36m



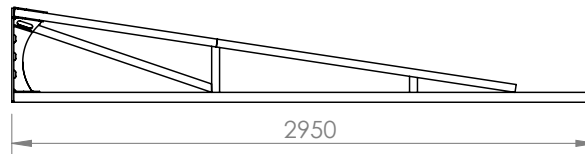
24m suit 36m Inner

- GA4658965 - Boom, Outer Aluminium 24m to suit 36m inner wing 2008
- GA4659820 - Boom, Outer Aluminium 24m to suit 36m inner wing 2012

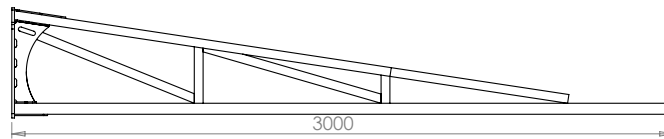


24m suit 30m mk4

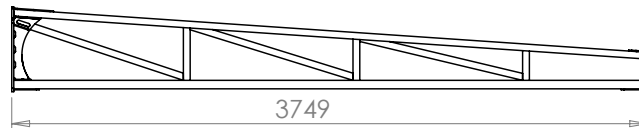
- GA4656054 - Boom, Outer Aluminium turns 28-30m into 24m 2008
- GA4659965 - Boom, Outer Aluminium 24m suit 30m MK4 Inner 2012



GA4657775 - 15m - 18m Aluminium outer (3m)

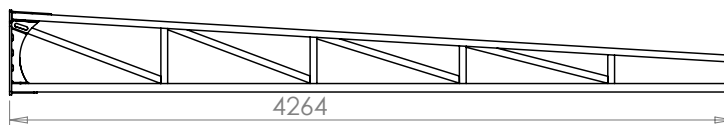


GA4656053 - Boom outer 24m HD no breakaway suit 36m inner



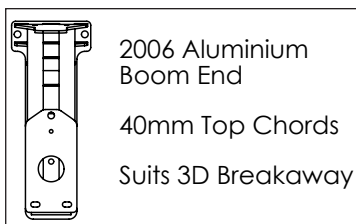
24m

- GA4656050 - Boom, Outer Aluminium 24m HD 2006
- GA4656051 - Boom, Outer Aluminium 24M HD 2008
- GA4659925 - Boom, Outer Aluminium 24m (CC 30m with 36m inner) HD 2012

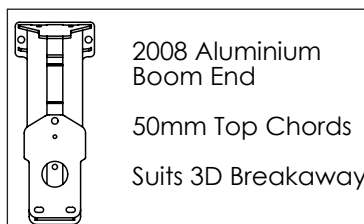


28M

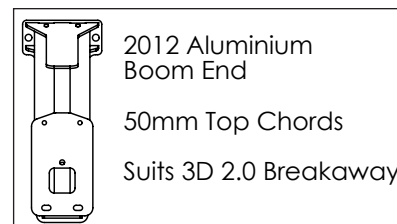
- GA4656060 - Boom, Outer Aluminium 28m HD 2006
- GA4656061 - Boom, Outer Aluminium 28m HD 2008
- GA4656062 - Boom, Outer Aluminium 28m HD 2012



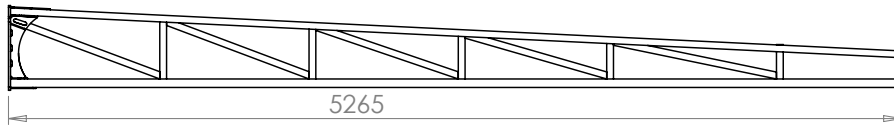
2006 Aluminium
Boom End
40mm Top Chords
Suits 3D Breakaway



2008 Aluminium
Boom End
50mm Top Chords
Suits 3D Breakaway

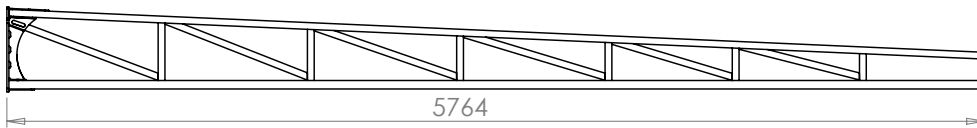


2012 Aluminium
Boom End
50mm Top Chords
Suits 3D 2.0 Breakaway



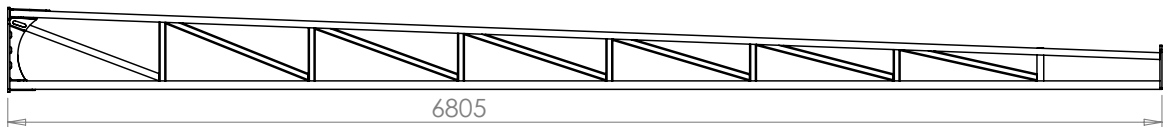
30m

GA4656065 - Boom, Outer Aluminium 30m HD 2006
 GA4656066 - Boom, Outer Aluminium 30m HD 2008
 GA4656067 - Boom, Outer Aluminium 30m HD 2012



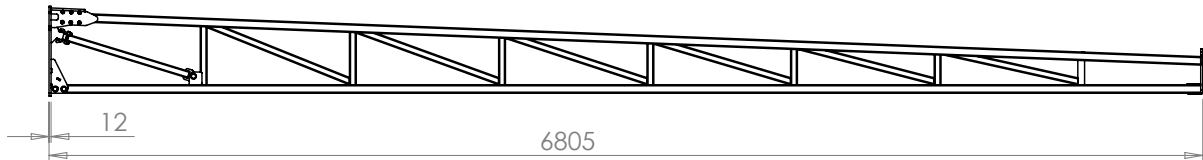
33M

GA4656070 - Boom, Outer Aluminium 33m HD 2006
 GA4656071 - Boom, Outer Aluminium 33m HD 2008
 GA4656072 - Boom, Outer Aluminium 33m HD 2012



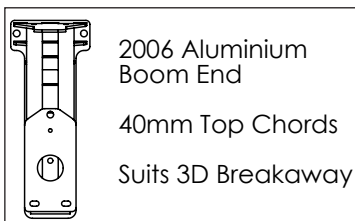
36m

GA4656075 - Boom, Outer Aluminium 36m HD 2006
 GA4656076 - Boom, Outer Aluminium 36m HD 2008
 GA4656077 - Boom, Outer Aluminium 36m HD 2012 (S/N 200740 Onwards)

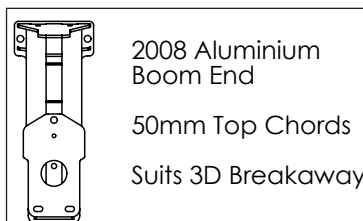


36m

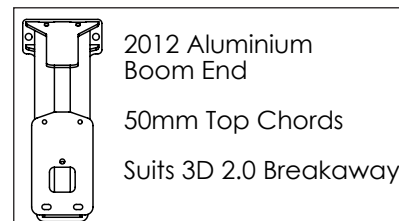
GA4907345 - Aluminium Boom Wing Assembly, 36m, MY15
 (GA4660390 - Boom Section, 36m Aluminium, U Bolt Mounted)



2006 Aluminium
 Boom End
 40mm Top Chords
 Suits 3D Breakaway

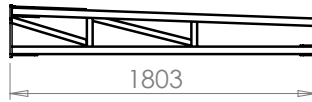


2008 Aluminium
 Boom End
 50mm Top Chords
 Suits 3D Breakaway



2012 Aluminium
 Boom End
 50mm Top Chords
 Suits 3D 2.0 Breakaway

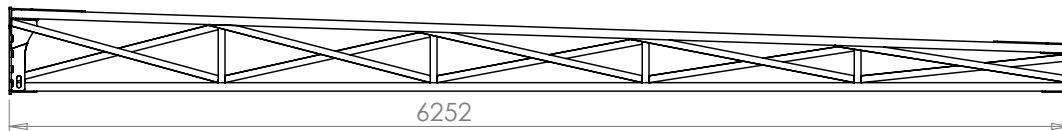
Outer Wings - TriTech 42m



42m Outer

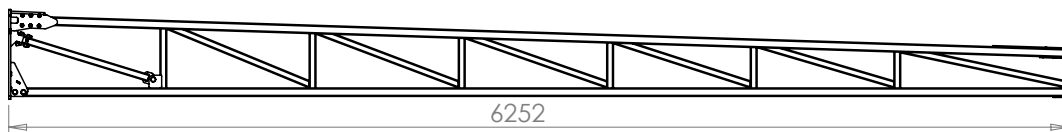
GA4659285 - Boom, Outer Aluminium Outer Section 42m (2008)

GA4659287 - Boom, Outer Aluminium Outer Section 42m suit 3D2.0 Breakaway (2012)



42m Mid

GA4659715 - Boom, Outer Aluminium Mid Section 42m

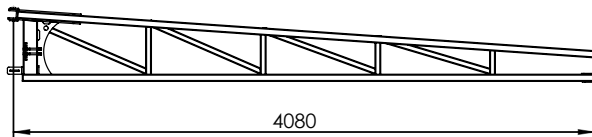
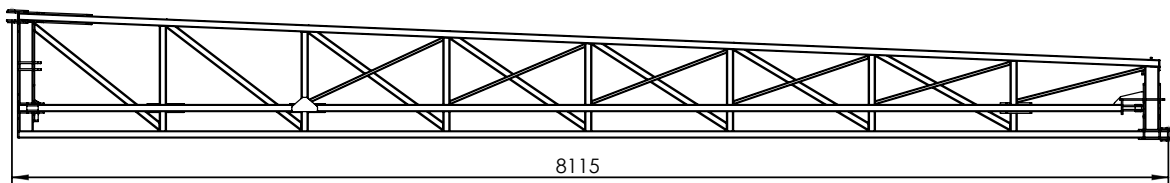


42m

GA4907220 - Aluminium Boom Wing Assembly, U Bolt, 42m

(GA4660650 - Boom Section, 42m Mid, Aluminium, suits Insert Blocks)

Outer Wings - TriTech 48m



48m Outer Wings

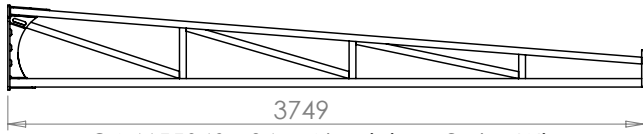
GA4600650 - Boom Outer, 48m Aluminium RH - 8115 mm

GA4600645 - Boom Outer, 48m Aluminium LH - 8115 mm

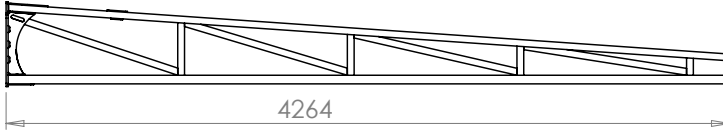
GA4600660 - Boom Outer, 48m Aluminium RH - 4080mm

GA4600655 - Boom Outer, 48m Aluminium LH - 4080mm

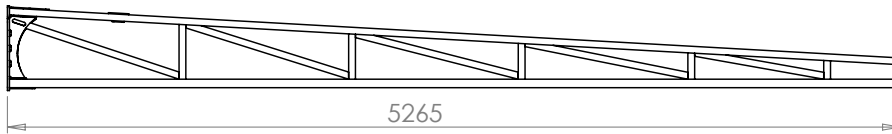
Legacy Outer Wings - TriTech - Breakaway Type



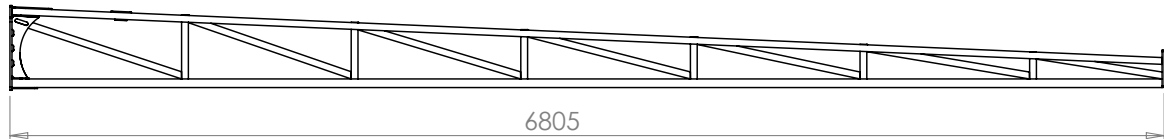
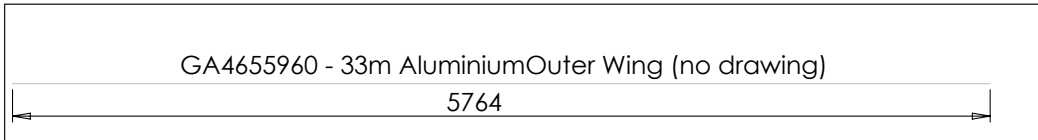
GA4655940 - 24m Aluminium Outer Wing



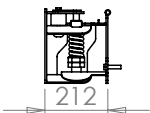
GA4655950 - 28m Aluminium Outer Wing



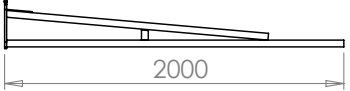
GA4655955 - 30m Aluminium Outer Wing



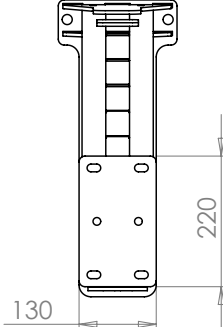
GA4655965 - 36m Aluminium Outer Wing



Breakaway Hinge
 Parts no longer available
 replace with 3D breakaway upgrade kit
 Pre 2006



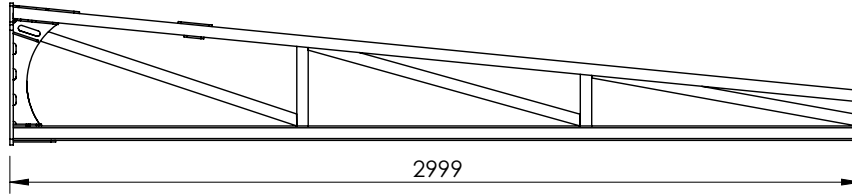
GA4656118 - Aluminium Breakaway



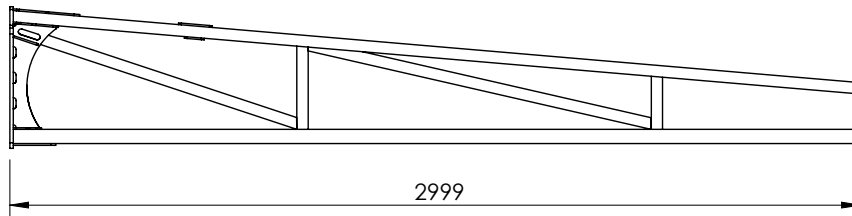
Outer wing side
 mounting to
 breakaway

Legacy Outer Wings - Row Crop

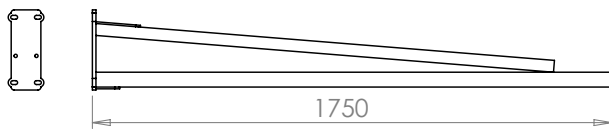
GA4655945 - 24ALOW ROWCROP OUTER WING
 REV - 00
 PRE 2006



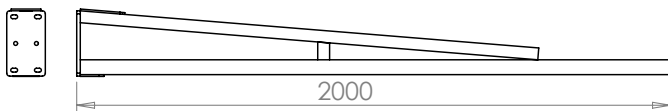
GA4655945
 REV - 02
 2006 ON



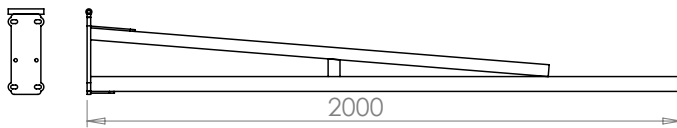
Breakaways



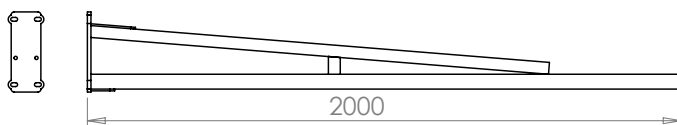
GA4656122 - Boom breakaway end in aluminium 1.75m



GA4656118 - Boom, breakaway end, Aluminium, 2m, pre 2006



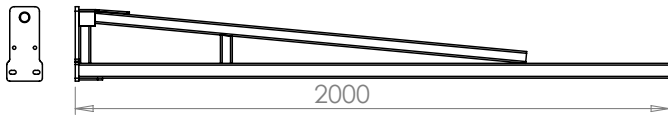
GA4656119 - Boom breakaway end in Aluminium 2m suit flip over



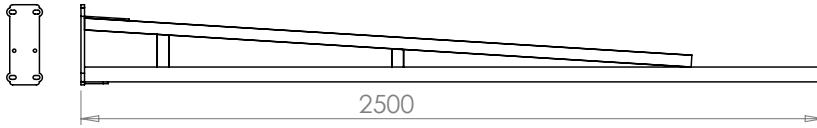
GA4656120 - Boom, breakaway end, Aluminium, 2m

Continue Over Page

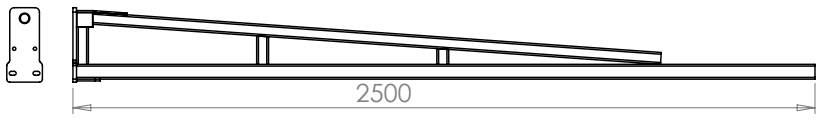
Breakaways



GA4656123 - Alum Breakaway 2m MY13



GA4656121 - Breakaway tip, 2.5m, Aluminium, Mk3

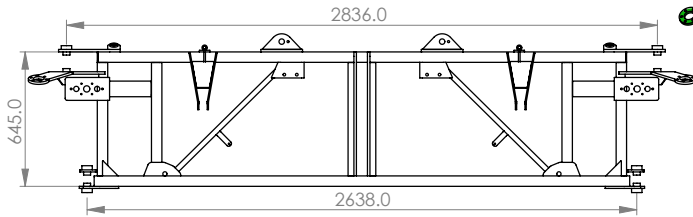


GA4656124 - Alum Breakaway 2.5m MY13 April 2013 S/N 200740 >

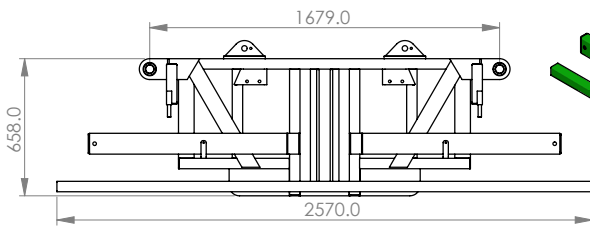
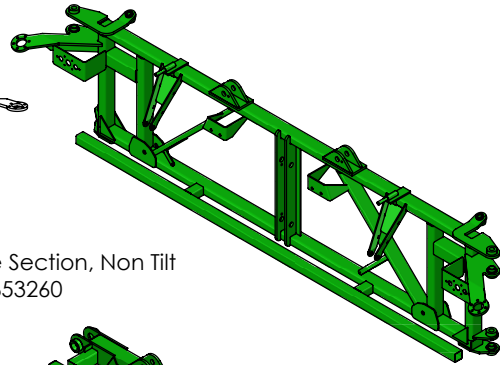
Chapter 2

CENTRE SECTIONS

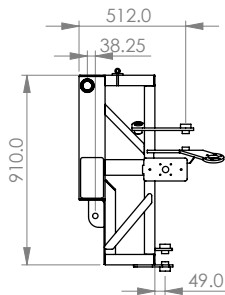
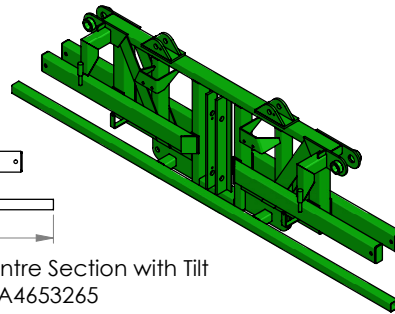
All dimensions shown are in millimeters (mm)



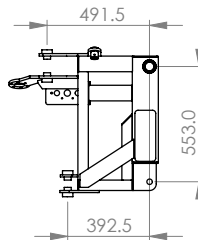
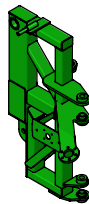
18M Mk1 Centre Section, Non Tilt
GA4653260



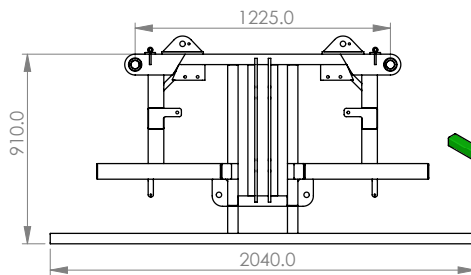
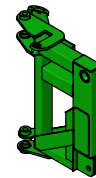
18M Mk1 Centre Section with Tilt
GA4653265



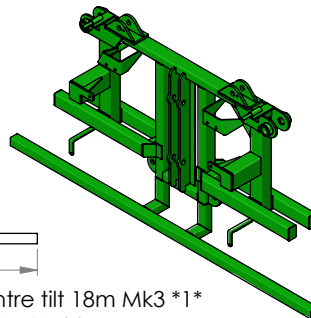
Boom centre arm 18m MK3
LH - GA4653295
RH - GA4653290
SUIT GA4653275

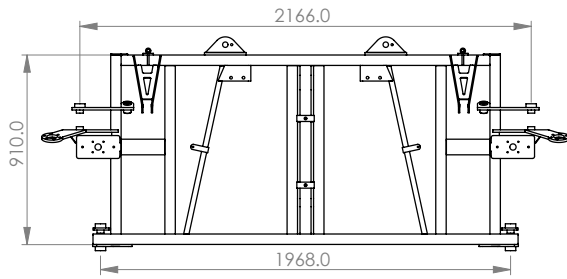


18M Mk1 Centre Section Arm with Tilt
RH - GA4653280
LH - GA4653285
SUIT - GA4653265

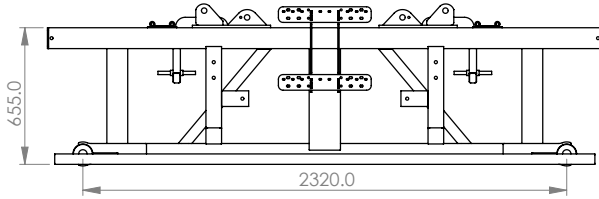
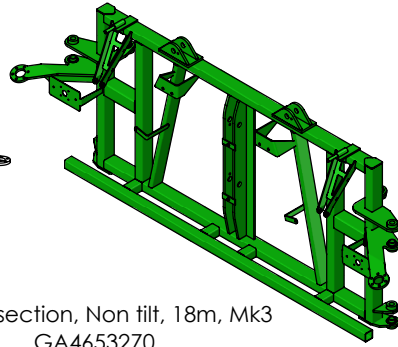


Boom centre tilt 18m Mk3 *1*
GA4653275

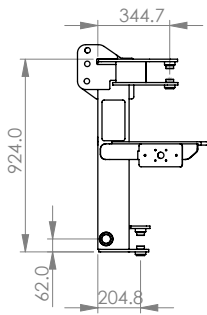
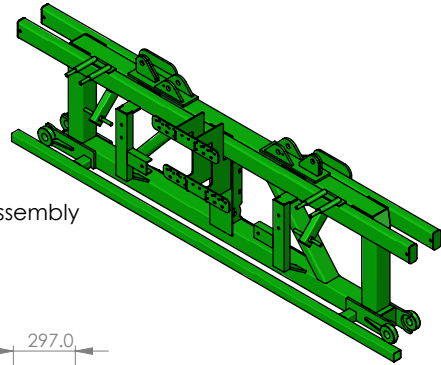




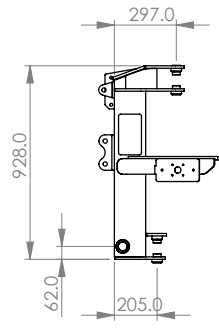
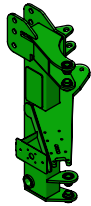
Centre section, Non tilt, 18m, Mk3
GA4653270



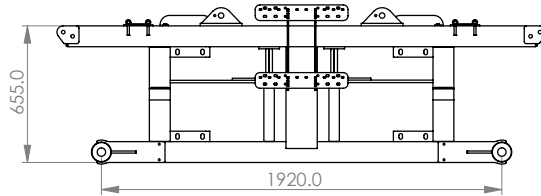
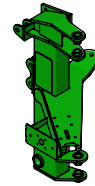
24CS Mk1 Centre Assembly
GA4653255



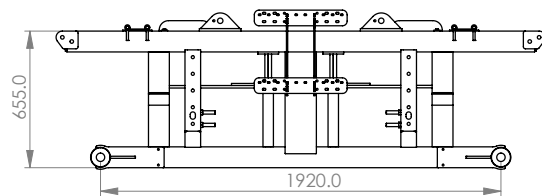
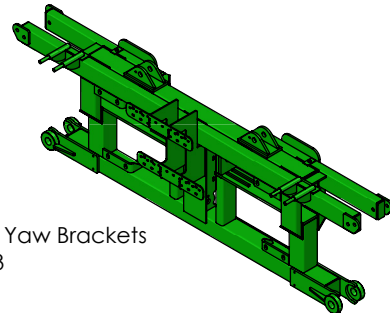
24CS Mk1 Arm Assembly
RH - GA4653240
LH - GA4653245
SUIT - GA4653255



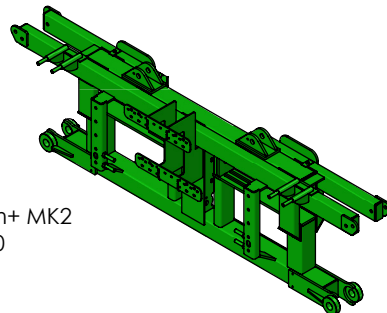
BoomTilt Arm
RH - GA4653384
LH - GA4653385
SUIT - GA4653380, GA4653381 &
GA4653383

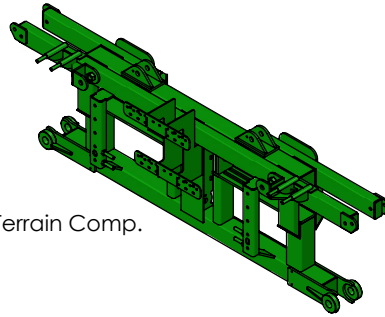
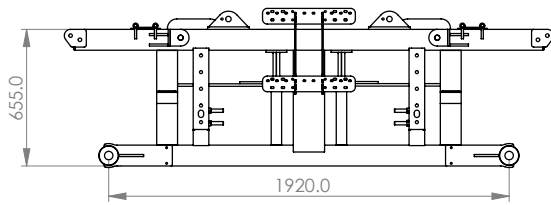


MK2 Centre with bolt on Yaw Brackets
GA4653383

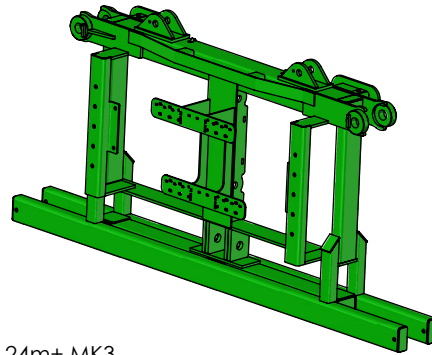
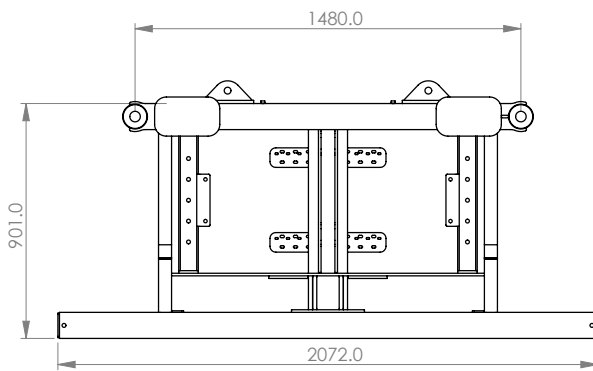


Boom centre 24m+ MK2
GA4653380

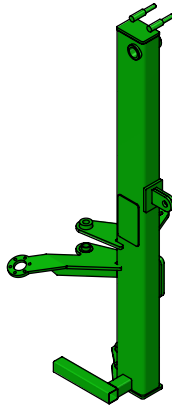
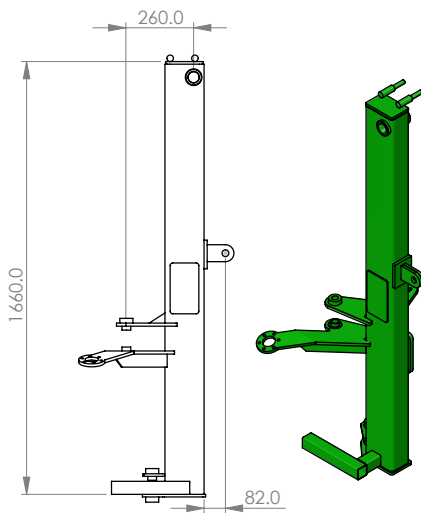




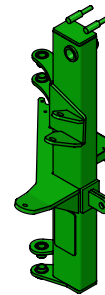
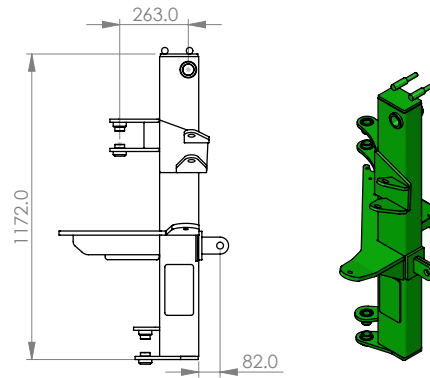
24m+ Mk2 Centre Section Suit Ultraglide Terrain Comp.
GA4653381



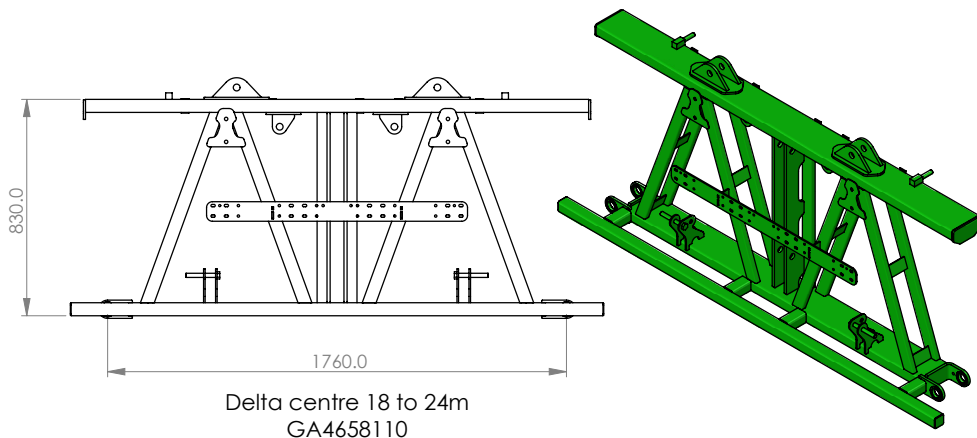
Boom centre 24m+ MK3
GA4653200



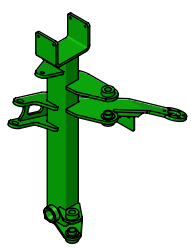
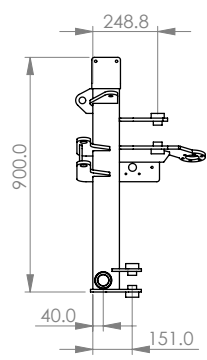
Boom centre tilt arm Rowcrop
RH - GA4653230
LH - GA4653235
SUIT - GA4653200



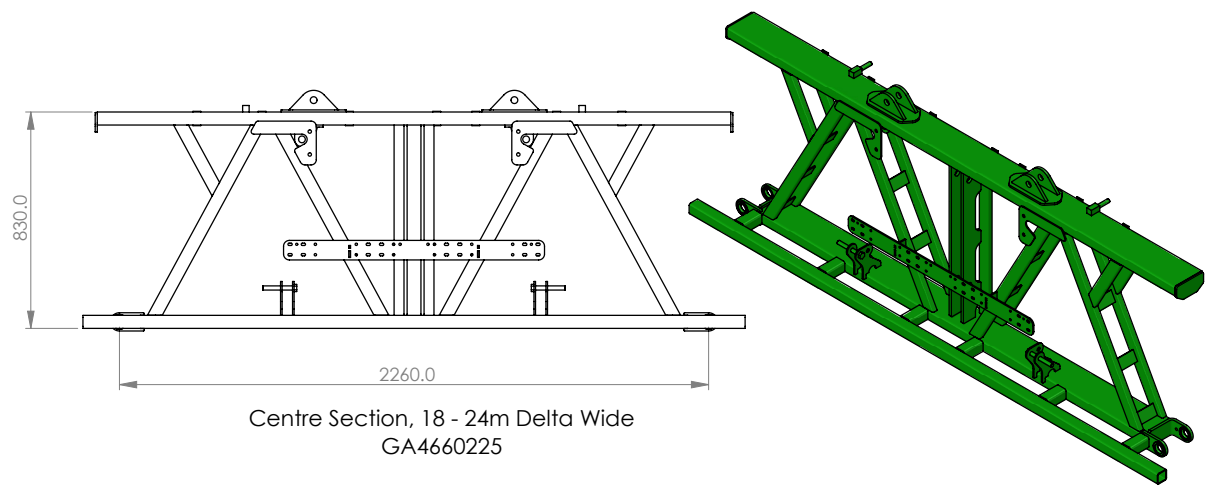
Boom centre tilt arm MK3
RH - GA4653220
LH - GA4653225
SUIT - GA4653200



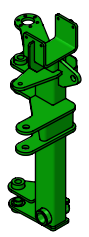
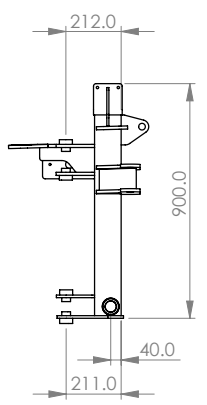
Delta centre 18 to 24m
GA4658110



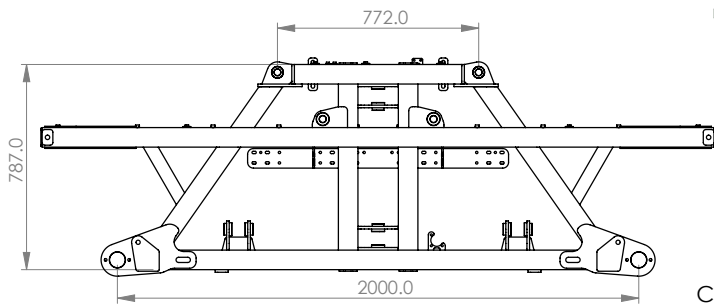
Delta centre tilt arm 18 to 24m
RH - GA4658115
LH - GA4658116
SUIT GA4658110



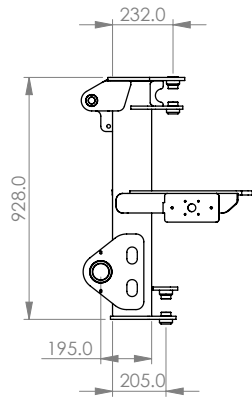
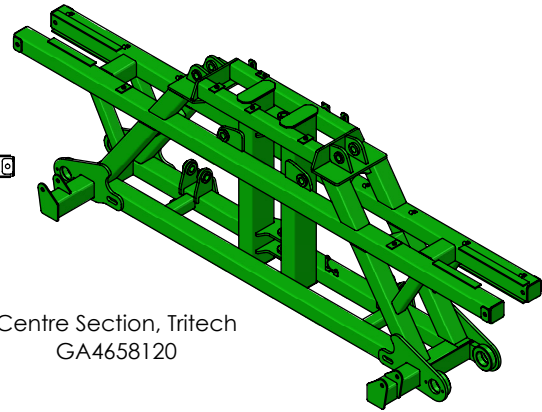
Centre Section, 18 - 24m Delta Wide
GA4660225



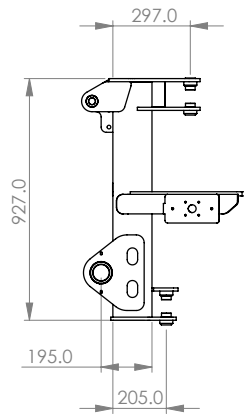
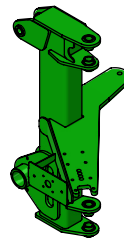
Tilt Arm, LH suit Delta 18 - 24m Centre Section
RH - GA4660235
LH - GA4660230
SUIT GA4660225



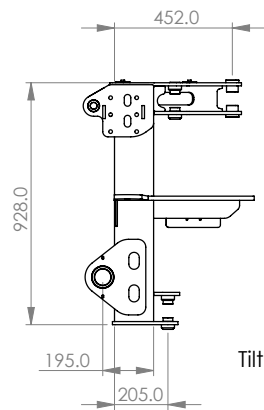
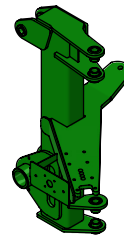
Centre Section, Tritech
GA4658120



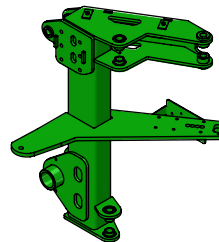
Tilt arm flat fold
RH - GA4658126
LH - GA4658131
SUIT GA4658120

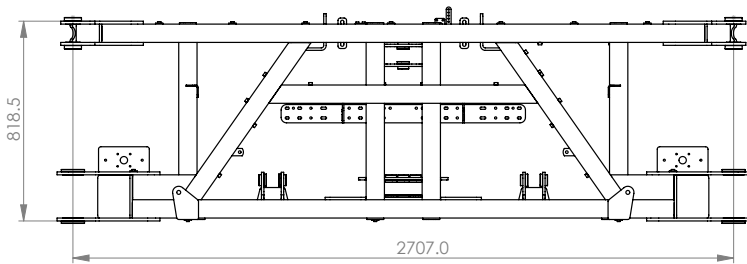


Tilt arm
RH - GA4658125
LH - GA4658130
SUIT GA4658120

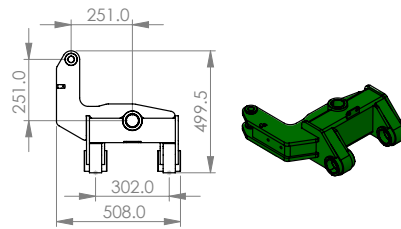
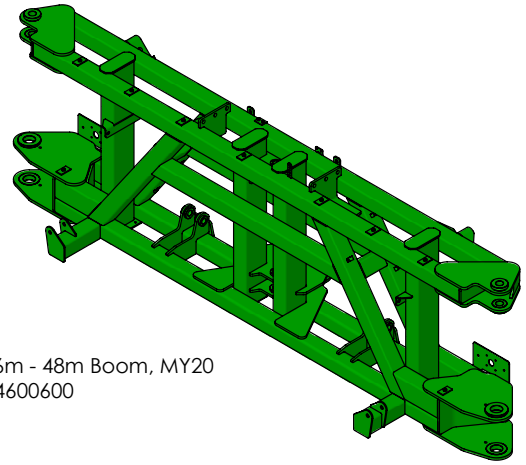


Tilt Arm Tritech 42m Dual Fold Cylinder
RH - GA4660190
LH - GA4660185
SUIT GA4658120





Centre Section, 36m - 48m Boom, MY20
GA4600600

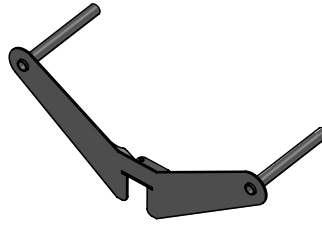
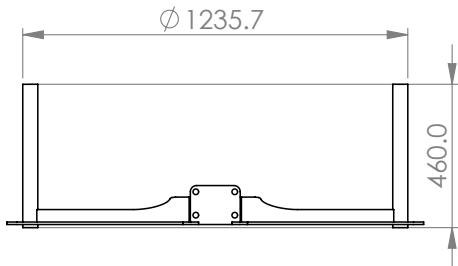


Boom Mount Hinge, 48m Boom
RH - GA4600615
LH - GA4600610
SUIT GA4600600

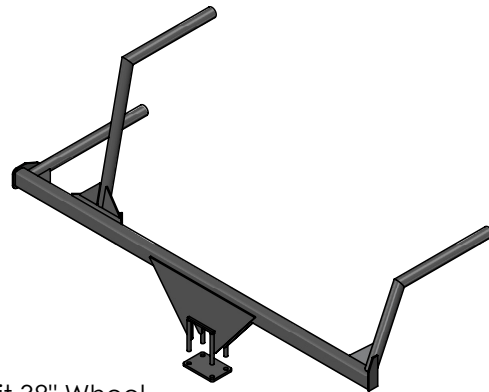
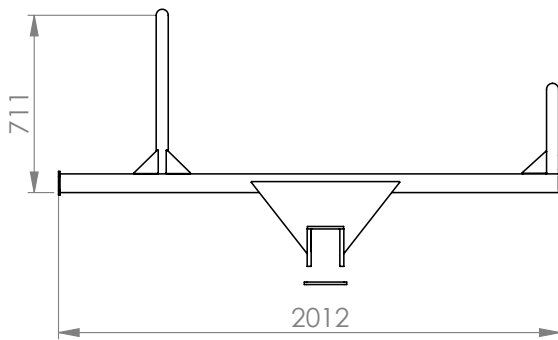
Chapter 3

MUDGUARDS

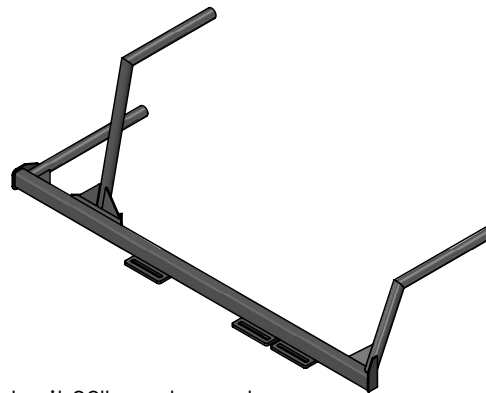
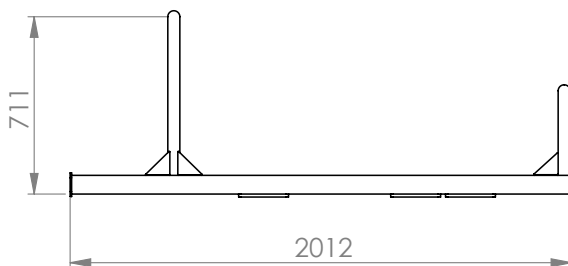
All dimensions shown are in millimeters (mm)



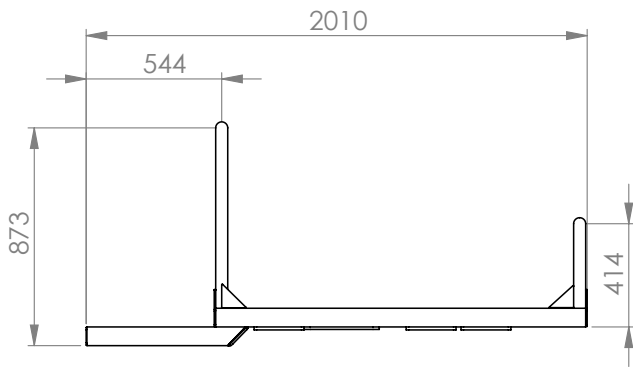
Mudguard BKT 2500 special
GA4655060



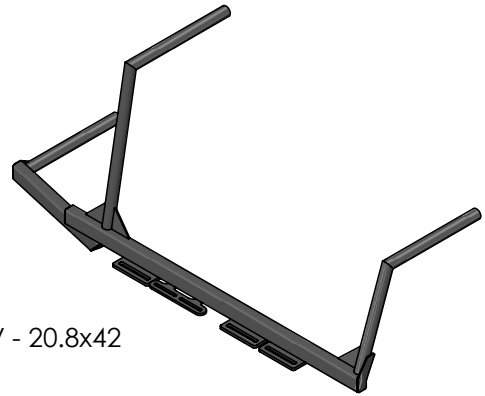
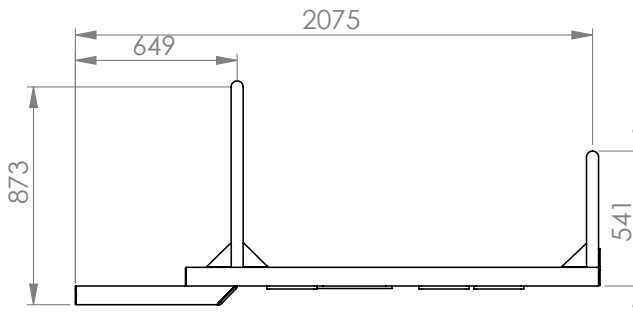
Mudguard Bracket 3-6000 Special . To suit 38" Wheel
LH - GA4655066
RH - GA4655067



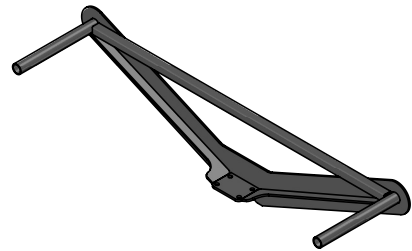
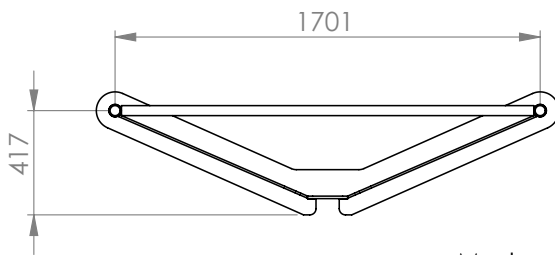
Mudguard BKT 3-6000 Special suit 38" mudguards
LH - GA4655085
RH - GA4655086



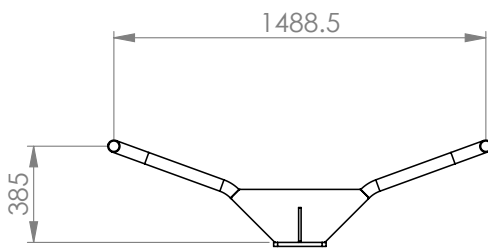
Mudguard BKT 3-6000 ADV - 20.8x38
 LH - GA4655075
 RH - GA4655070



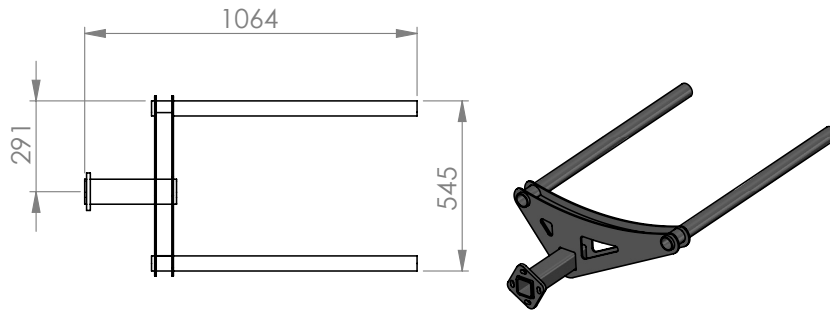
Mudguard BKT 3-6000 ADV - 20.8x42
 LH - GA4655155
 RH - GA4655150



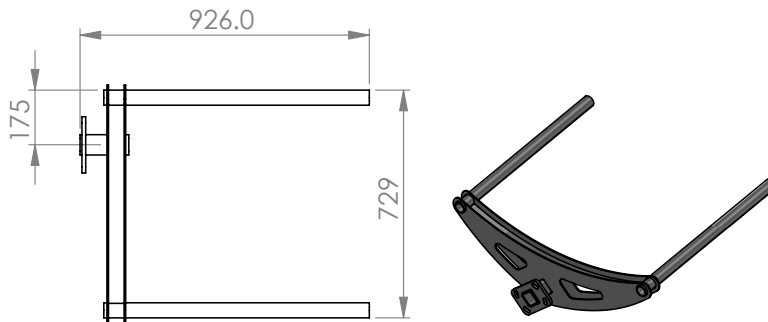
Mudguard BKT 3000 special
 GA4655065



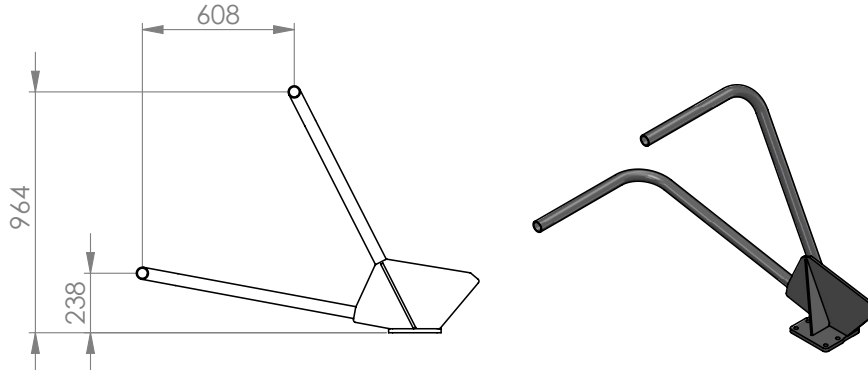
Mudguard Bracket to suit 3000L EF
 GA4657865



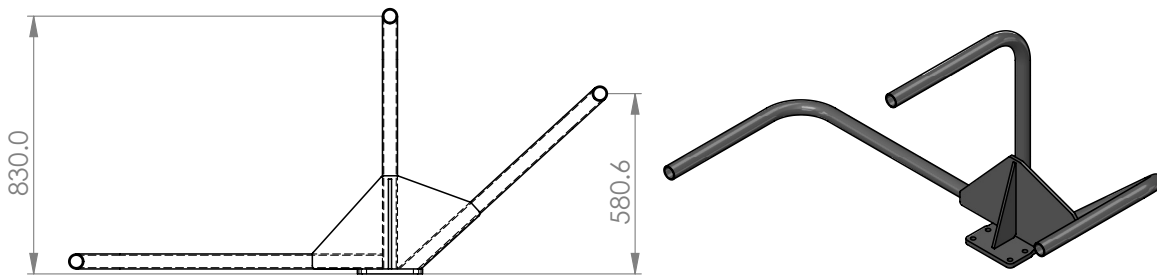
Mudguard BKT FRT 8000L PA
 LH - GA4655235
 RH - GA4655236



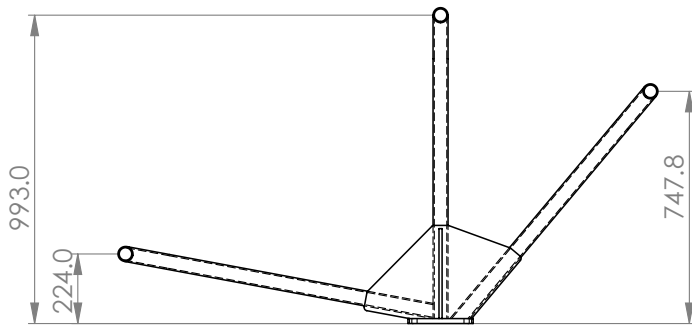
Mudguard BKT REAR 8000L PA
 LH - GA4655241
 RH - GA4655240



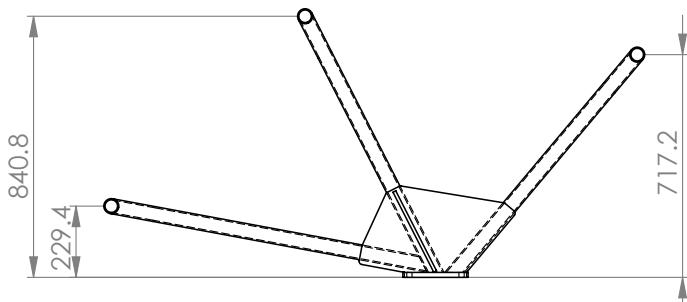
Mudguard Bracket 42" airbag axle suit 2726597
 LH - GA4600430
 RH - GA4600425



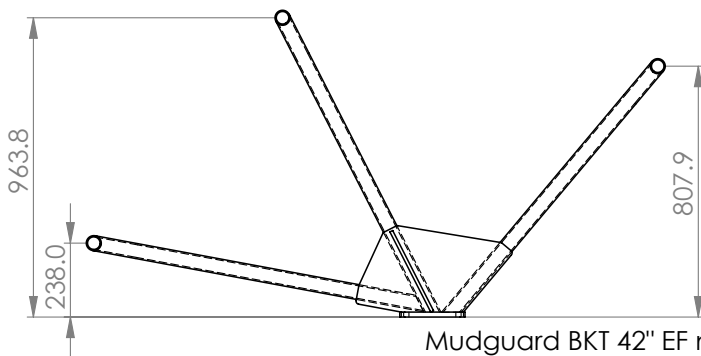
Mudguard BKT 38" non sus EF Praire
 LH - GA4655083
 RH - GA4655082



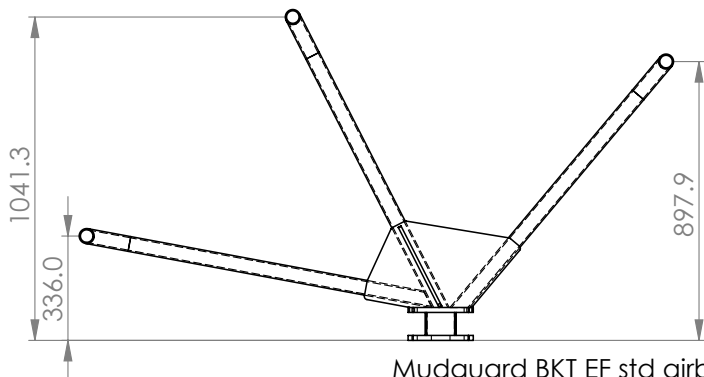
Mudguard BKT 38" EF airbag
 LH - GA4655079
 RH - GA4655078



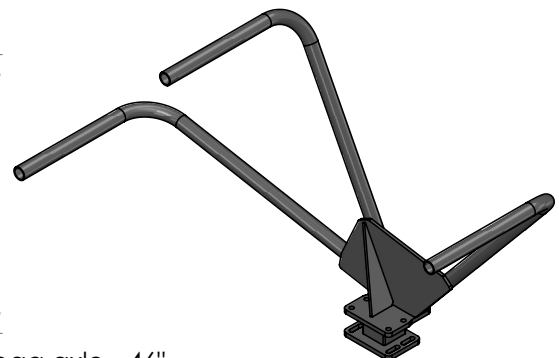
Mudguard BKT 42" EF rigid axle
 LH - GA4655089
 RH - GA4655088

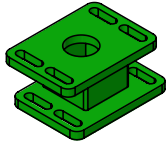


Mudguard BKT 42" EF non steer airbag axle
 LH - GA4655077
 RH - GA4655076



Mudguard BKT EF std airbag axle - 46"
 LH - GA4656530
 RH - GA4656525



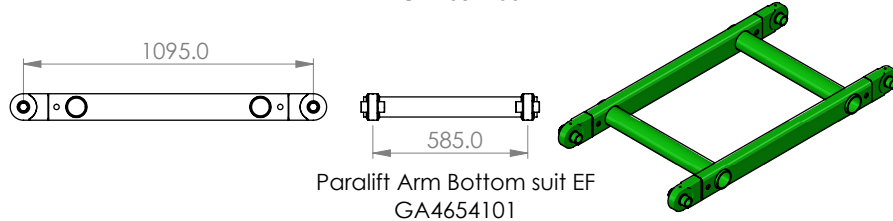
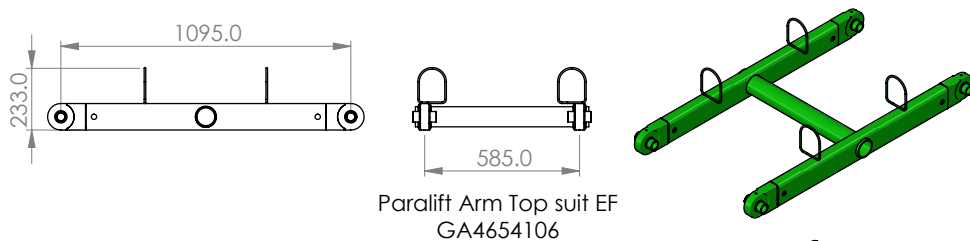
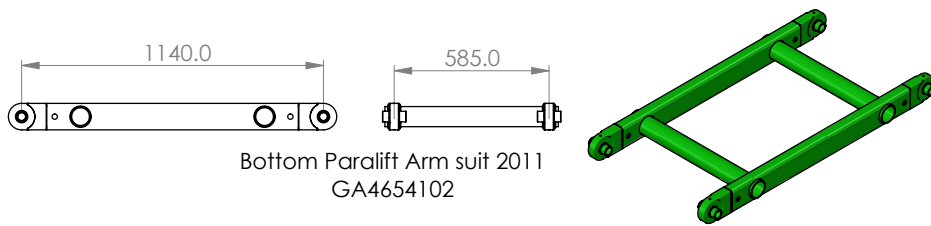
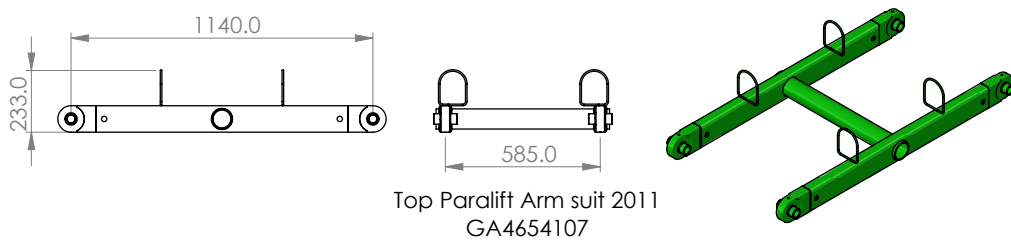
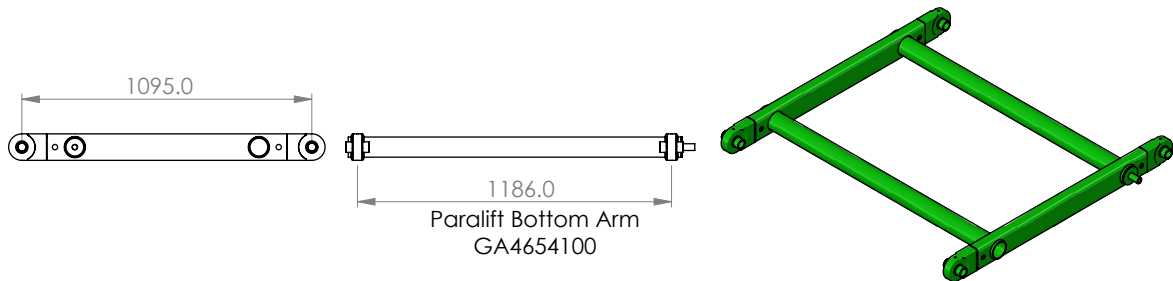
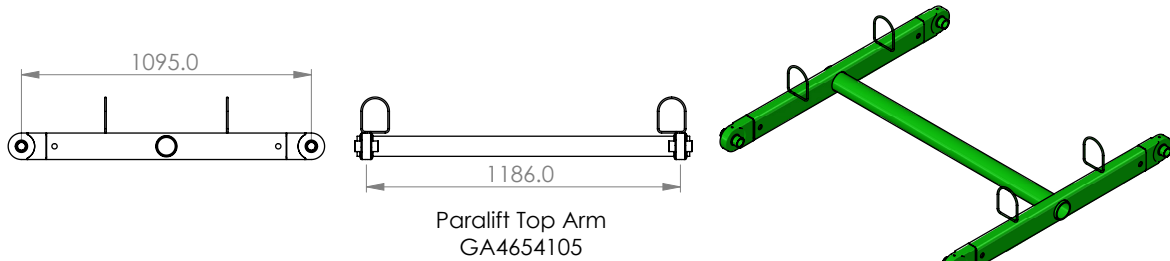


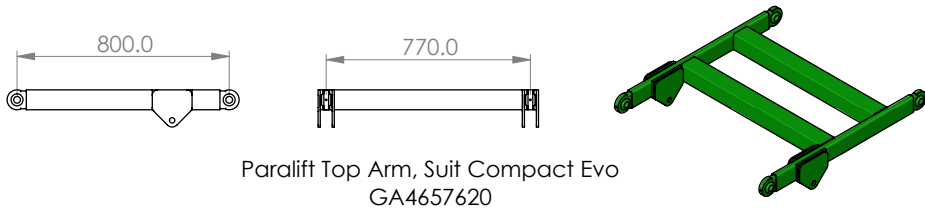
Mudguard spacer suit trailing units
GA4659420

Chapter 4

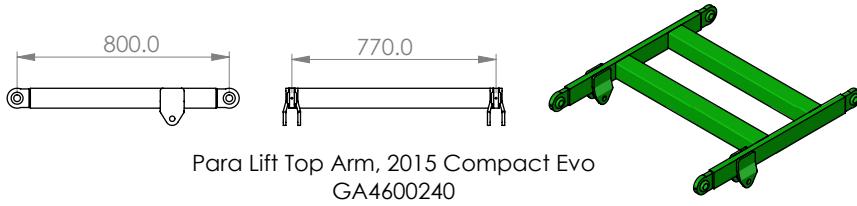
PARALIFT ARMS

All dimensions shown are in millimeters (mm)

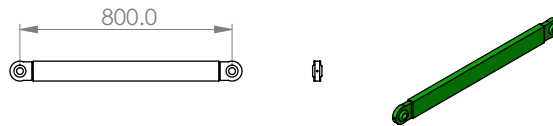




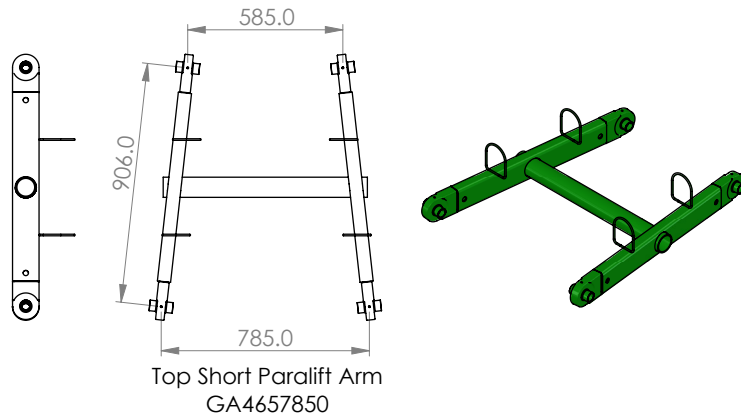
Paralift Top Arm, Suit Compact Evo
GA4657620



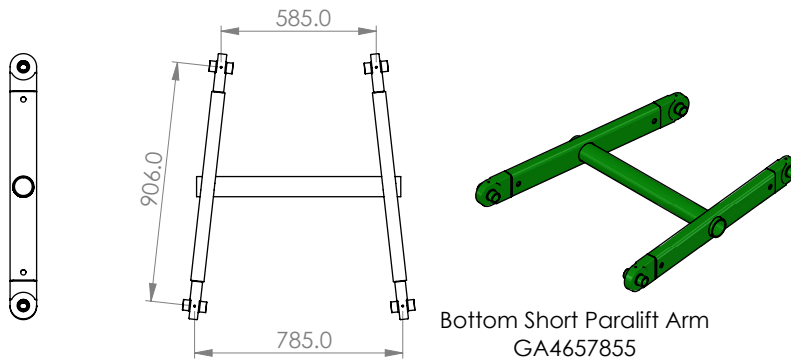
Para Lift Top Arm, 2015 Compact Evo
GA4600240



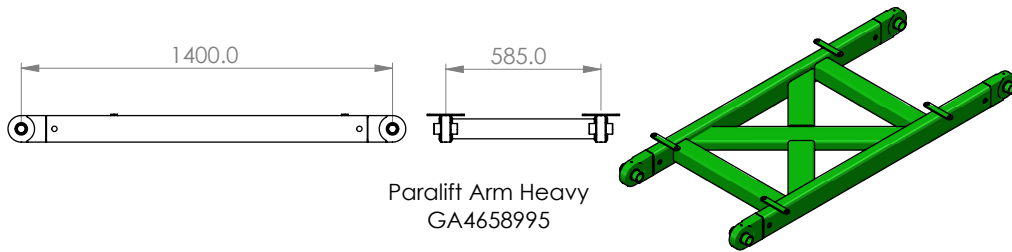
Para Lift Arm, Suit 2015 Compact Evo
GA4600255



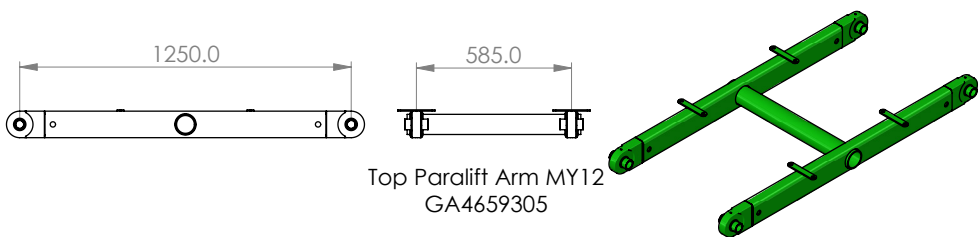
Top Short Paralift Arm
GA4657850



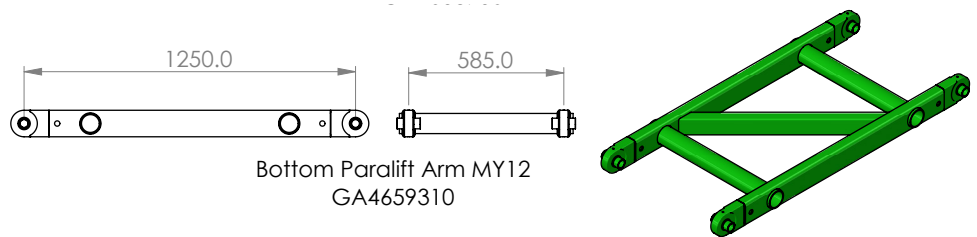
Bottom Short Paralift Arm
GA4657855



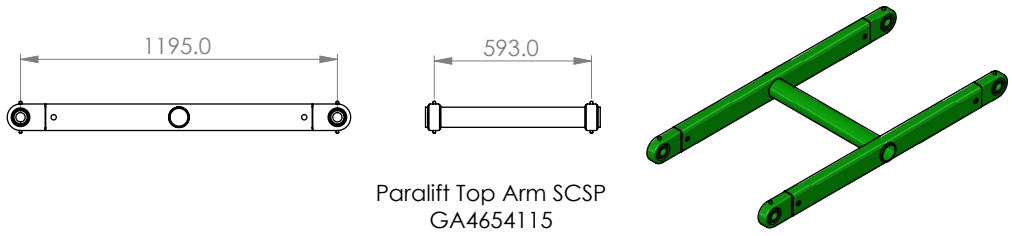
Paralift Arm Heavy
GA4658995



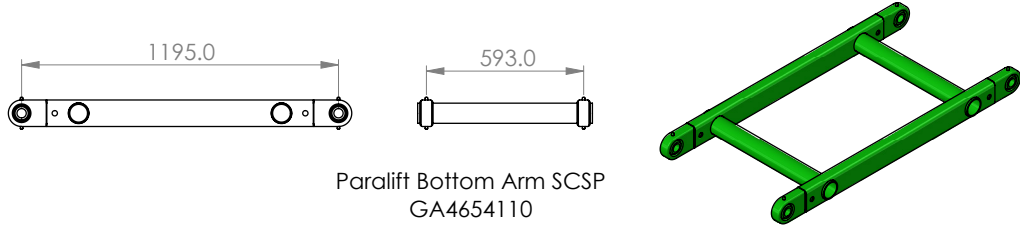
Top Paralift Arm MY12
GA4659305



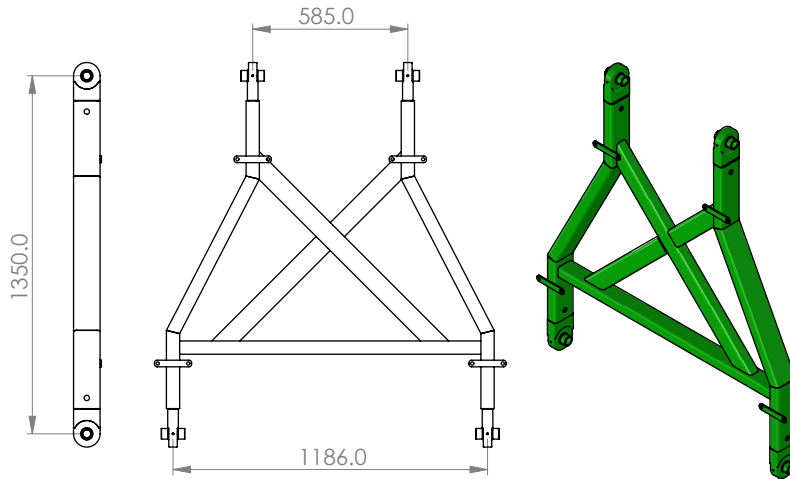
Bottom Paralift Arm MY12
GA4659310



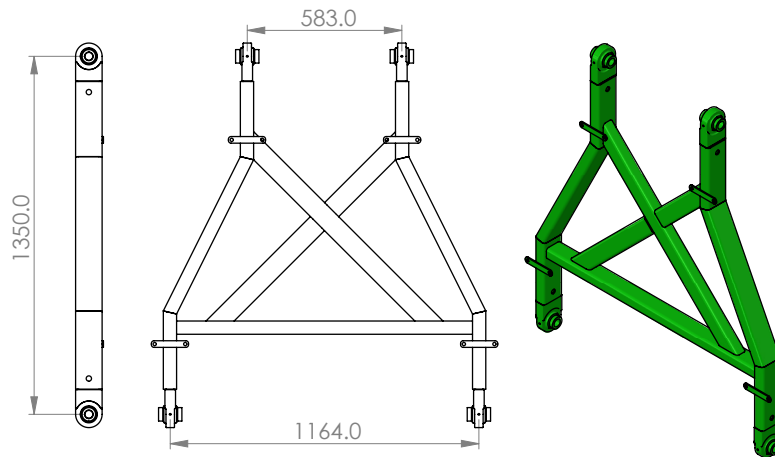
Paralift Top Arm SCSP
GA4654115



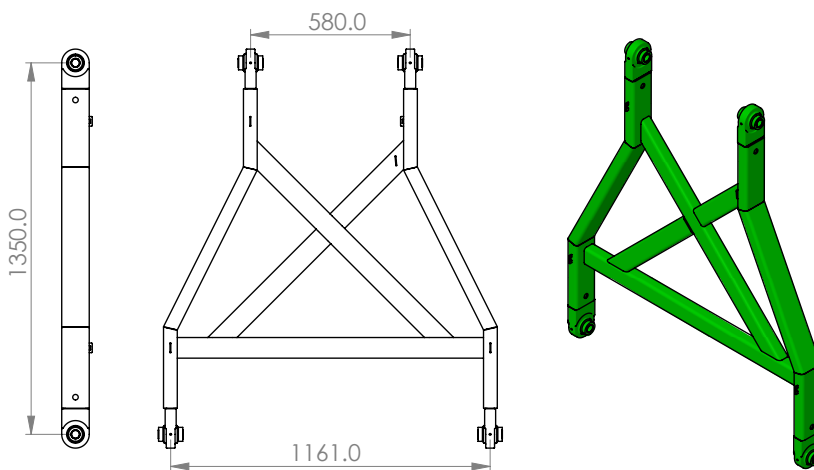
Paralift Bottom Arm SCSP
GA4654110



Paralift Arm SP Retro Evo Centre to MY09
GA4658751



Paralift Arm SP MY11
GA4658750

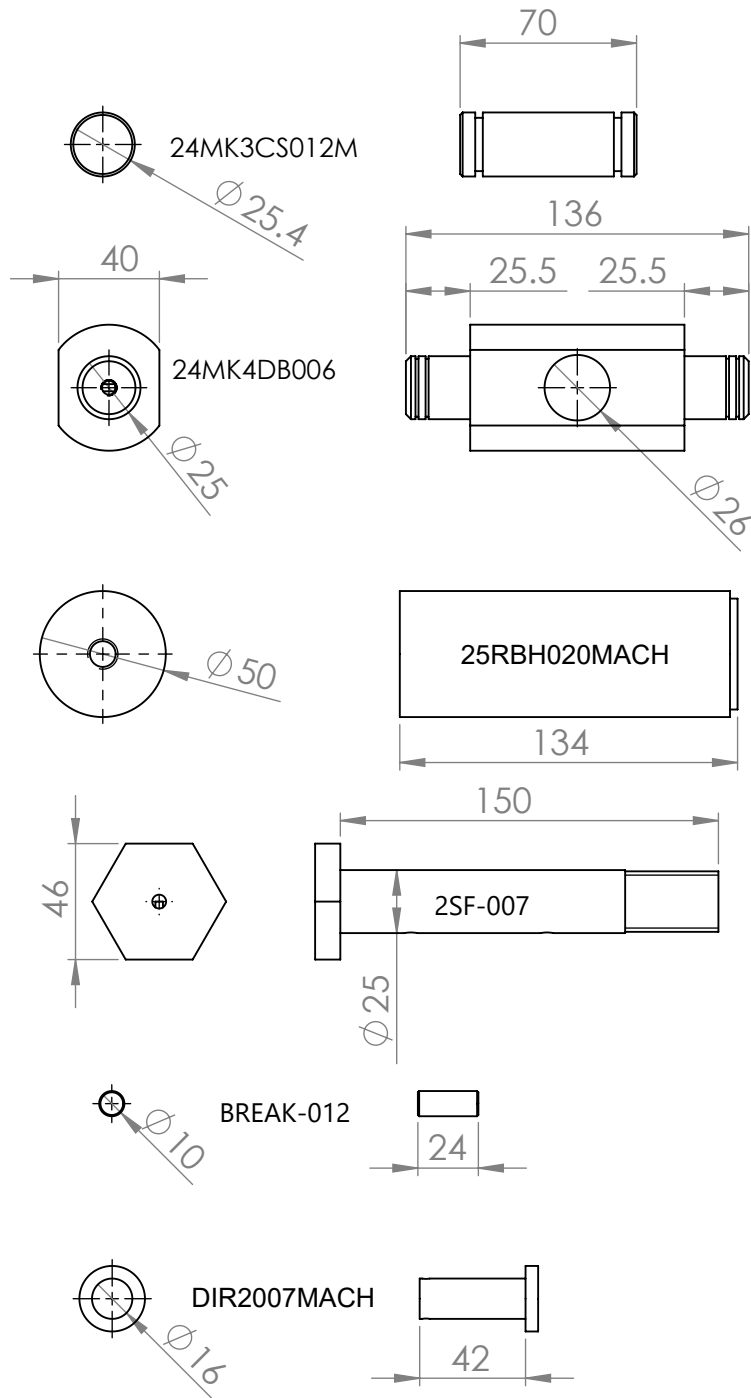


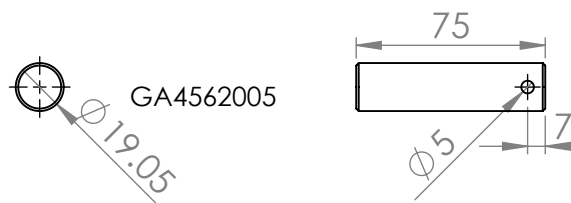
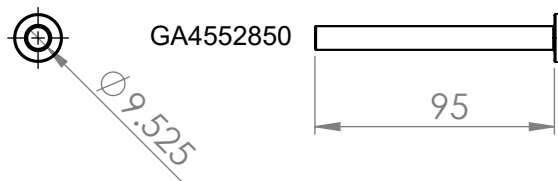
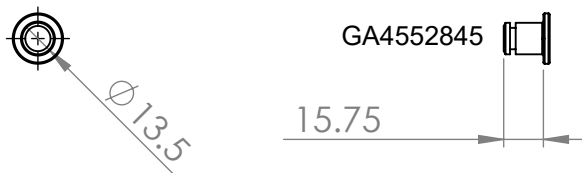
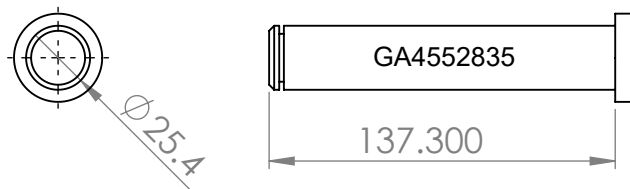
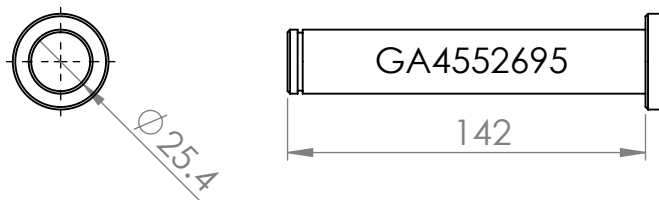
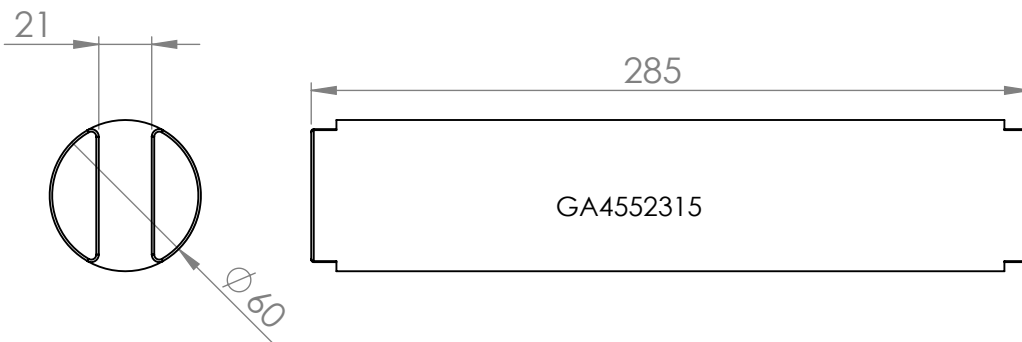
Paralift Arm, Lower, Suit G8
GA4662025

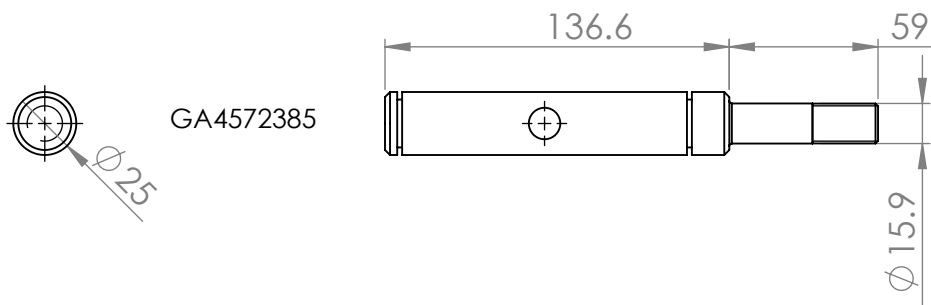
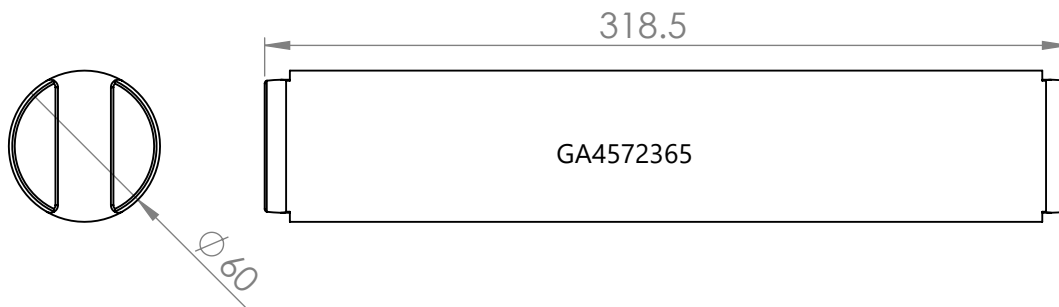
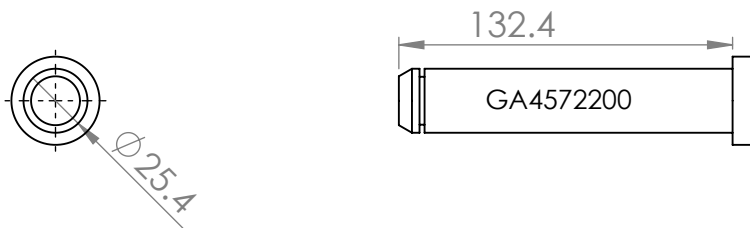
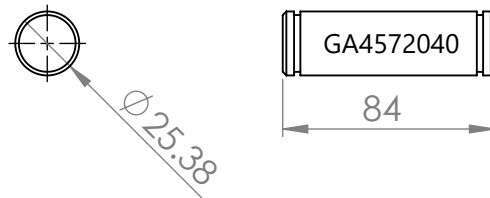
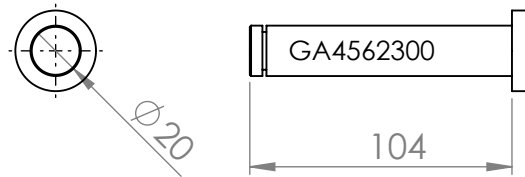
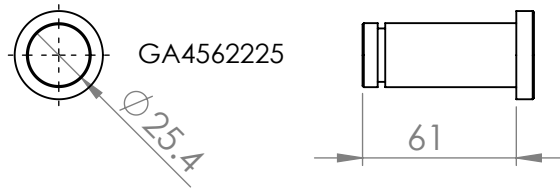
Chapter 5

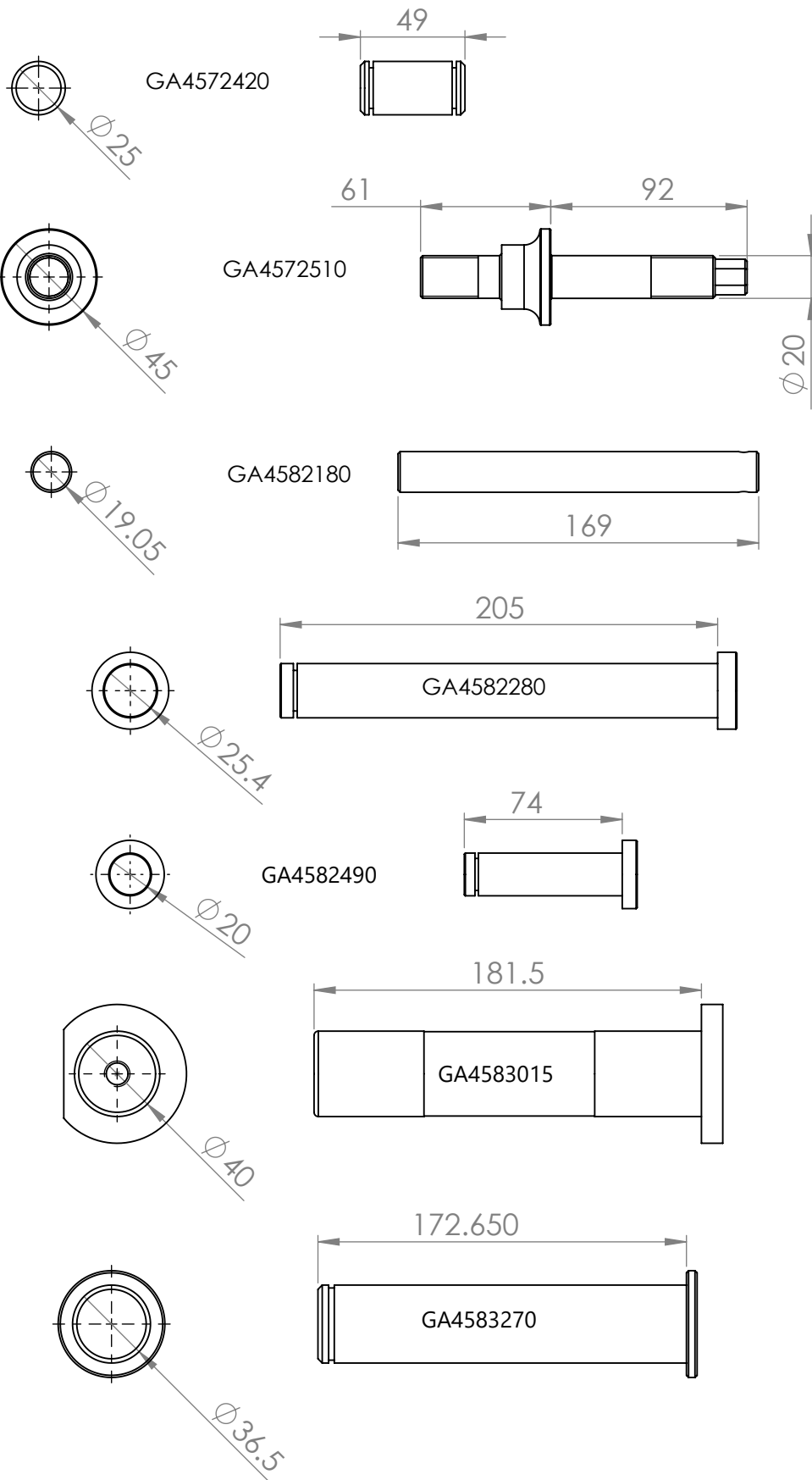
PINS

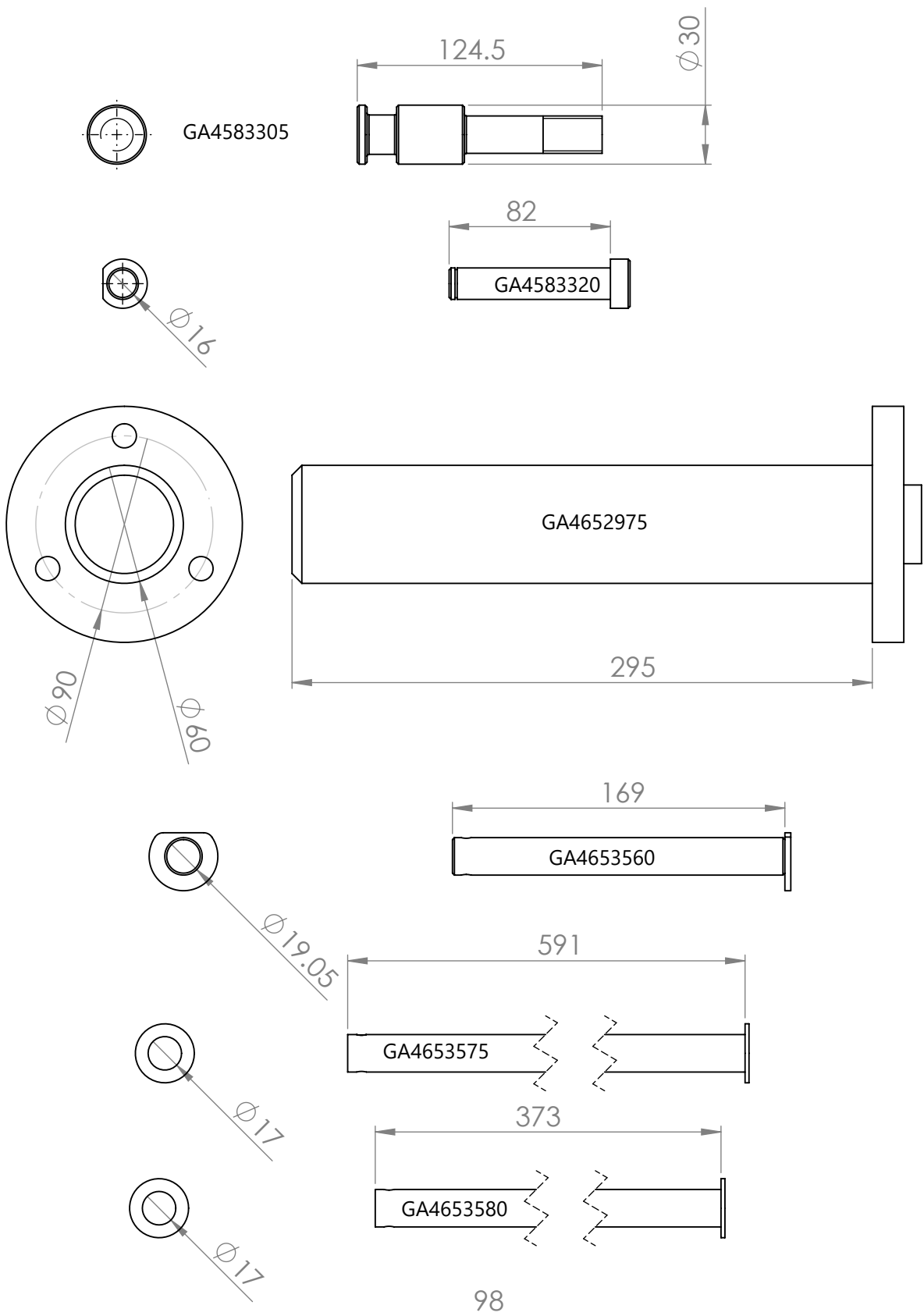
All dimensions shown are in millimeters (mm)

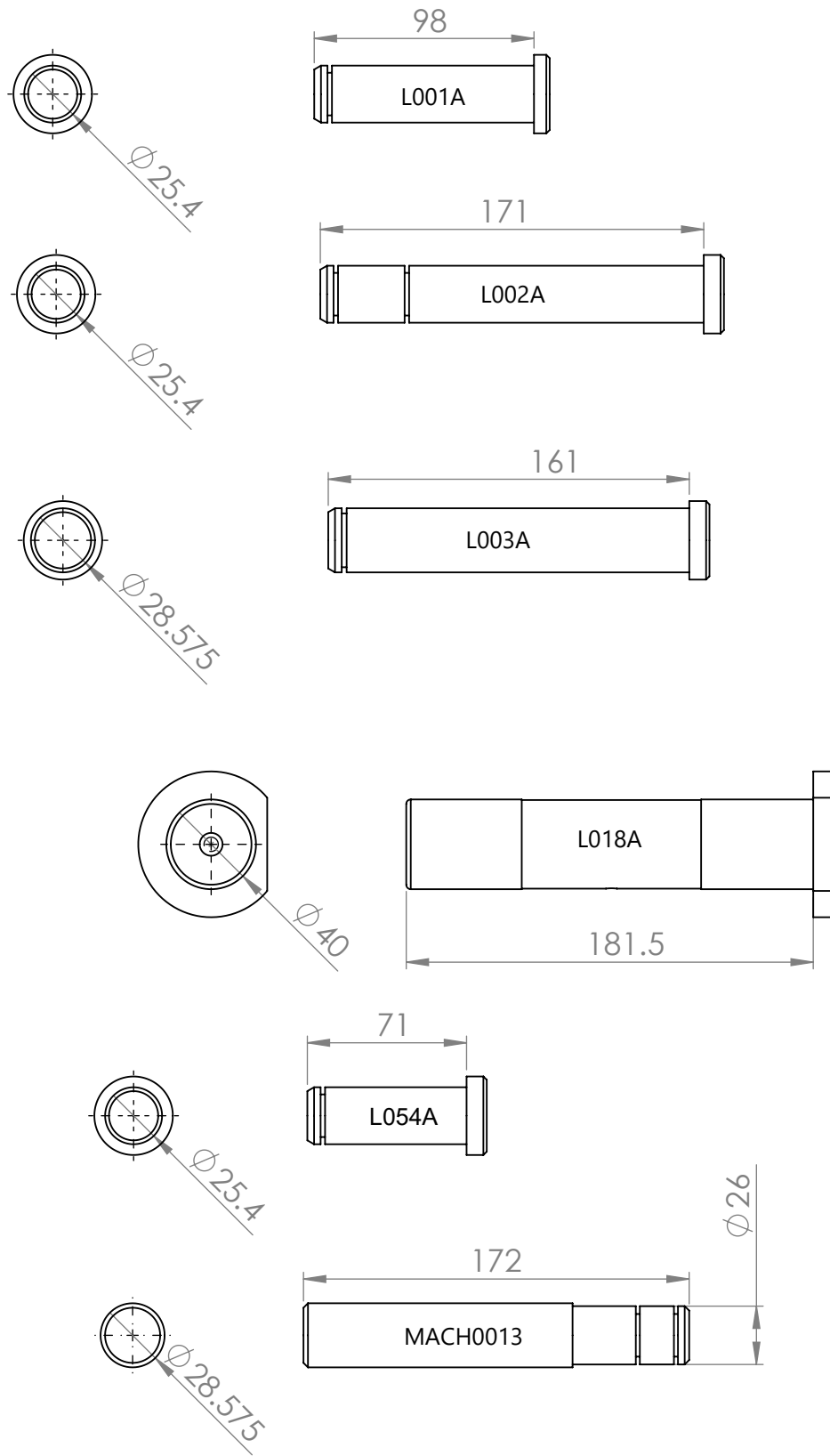


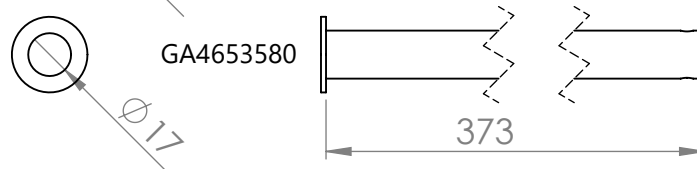
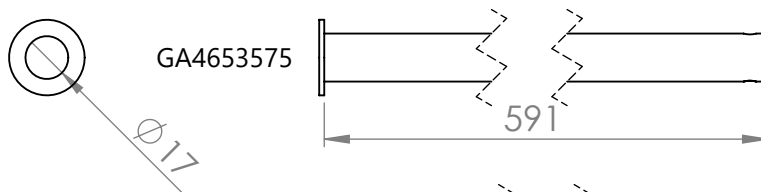
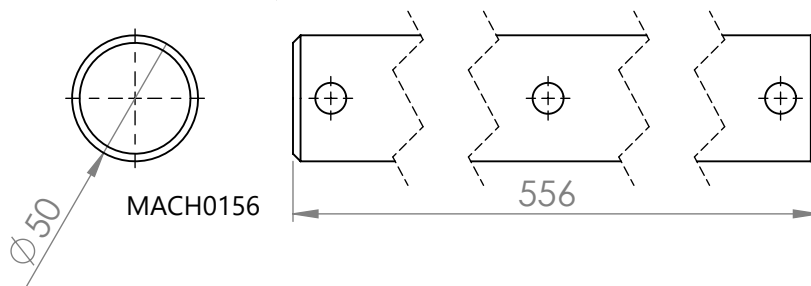
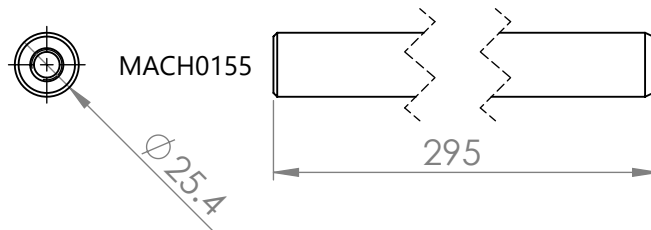
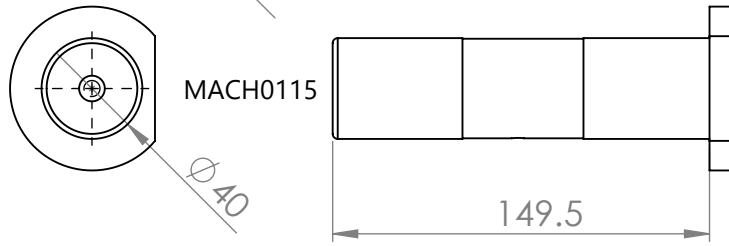
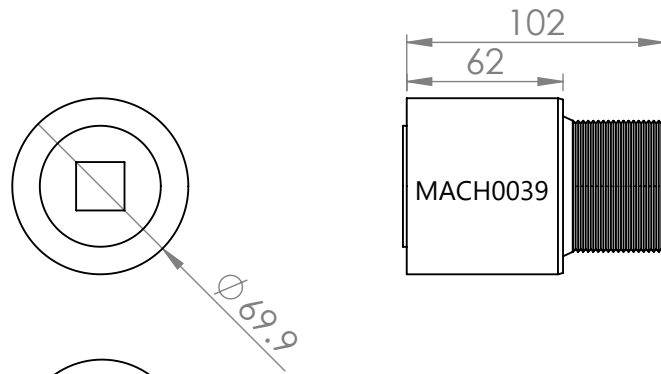


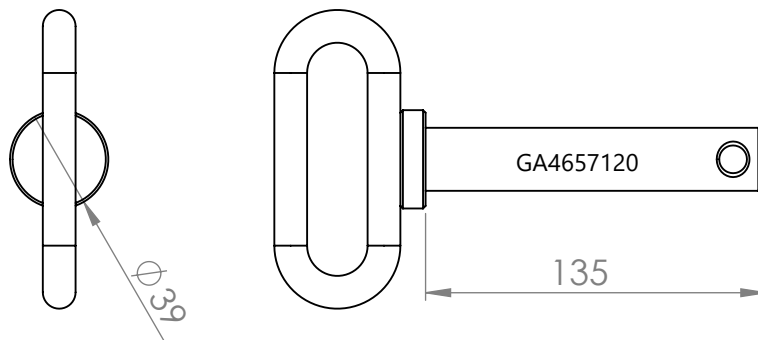
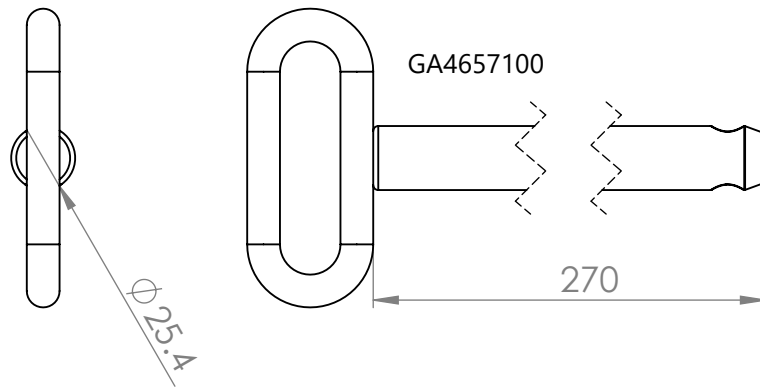
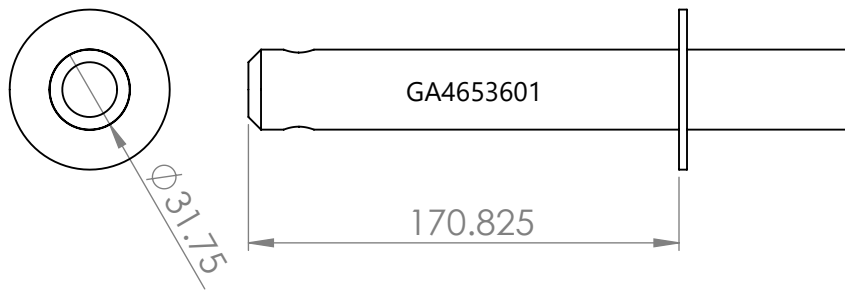
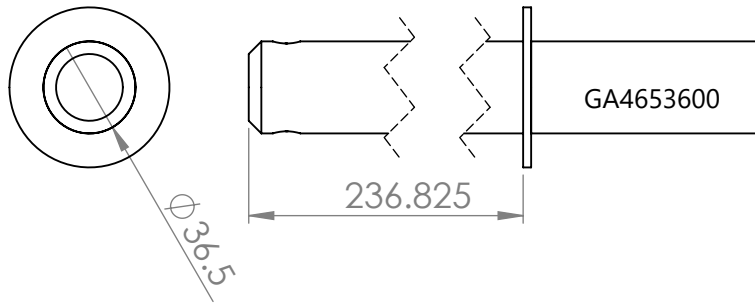


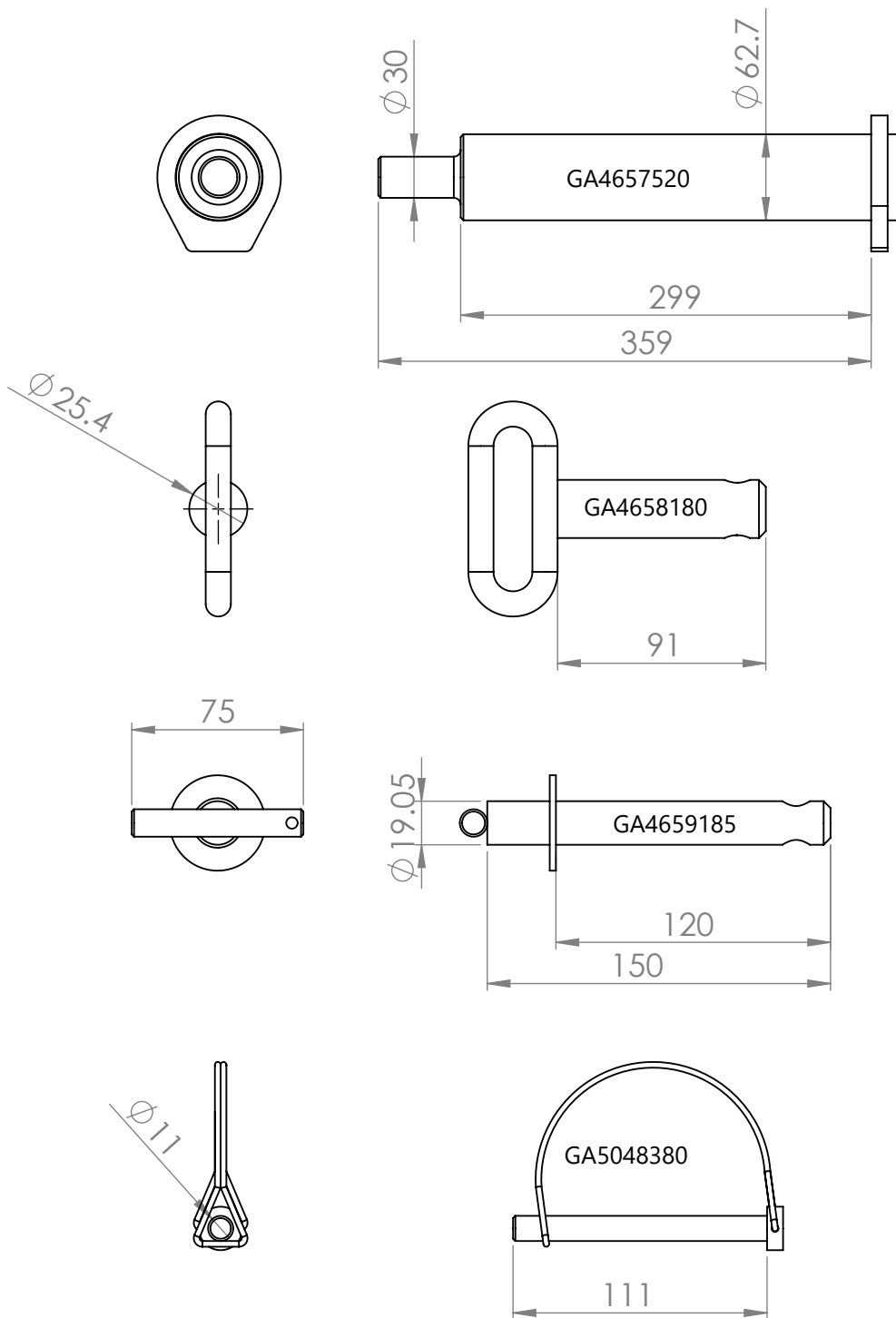


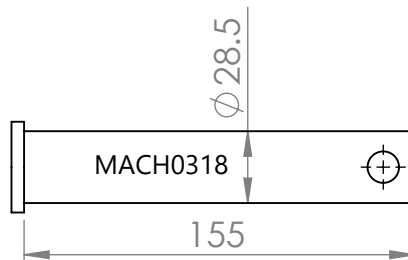
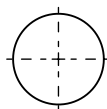
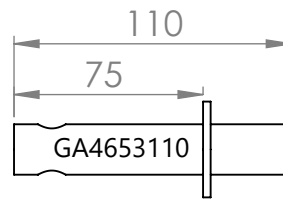
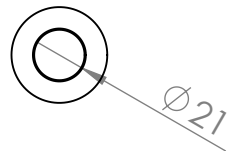
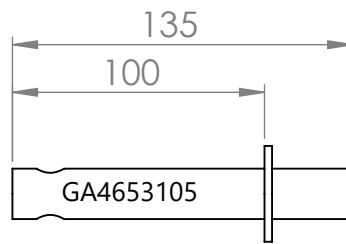
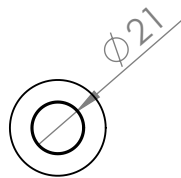
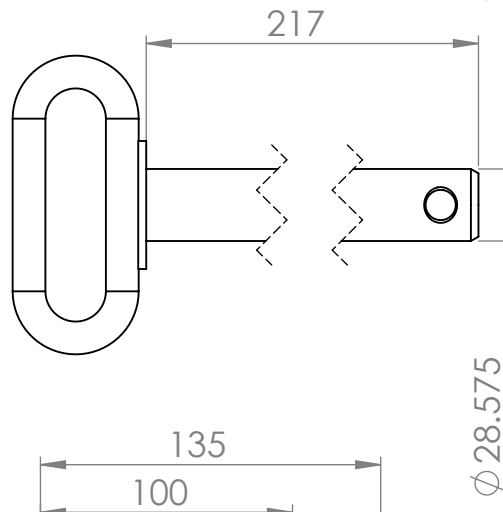
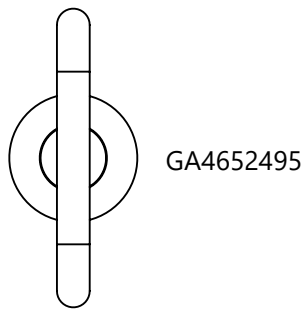
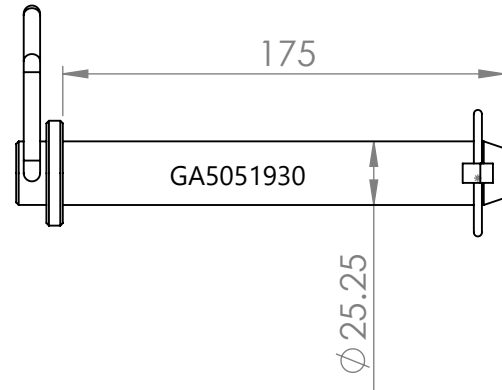
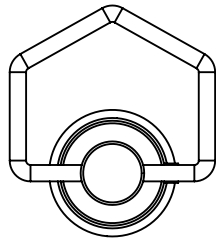


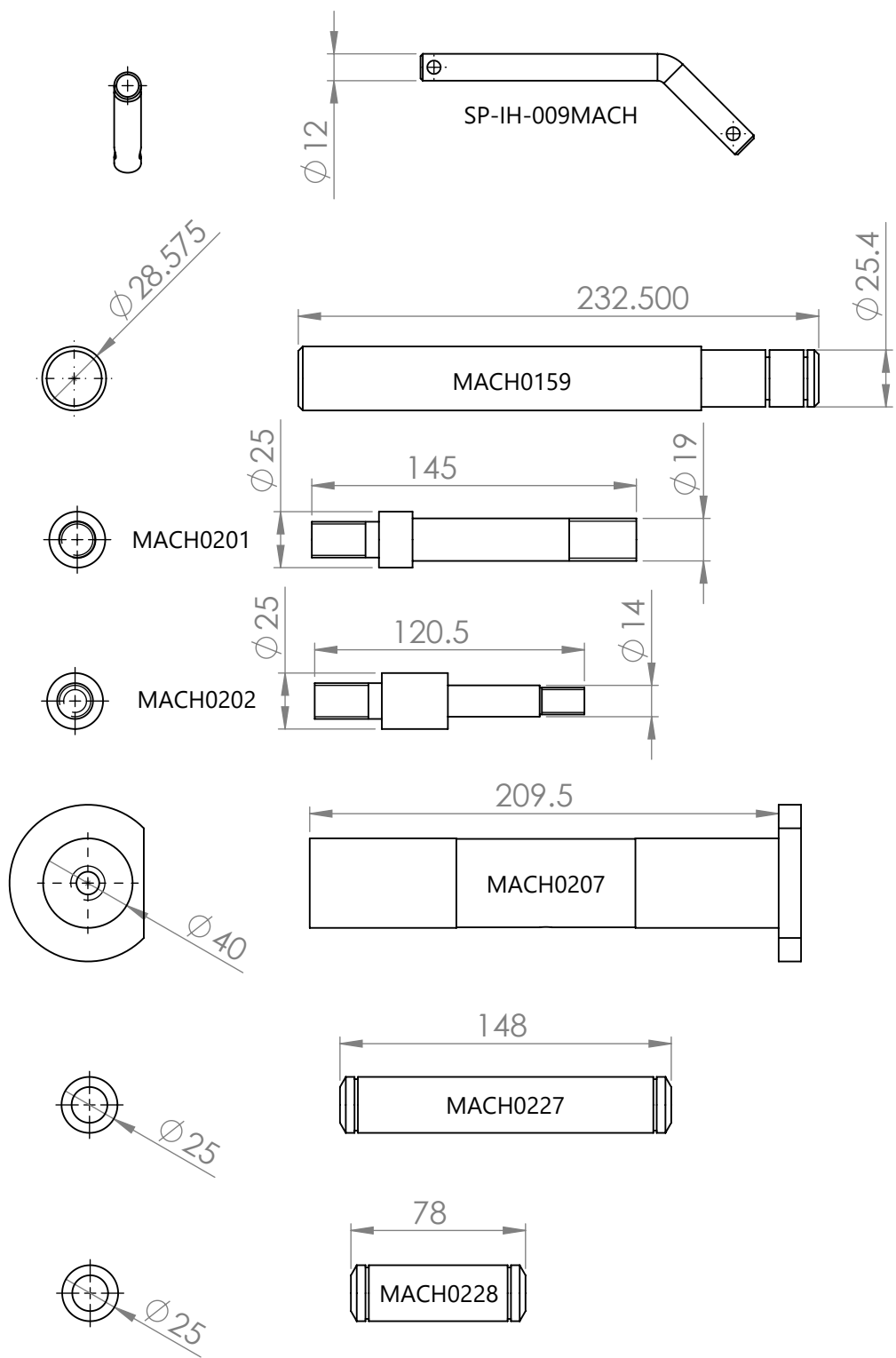


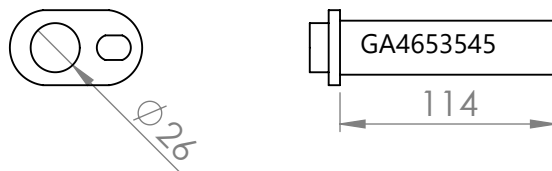
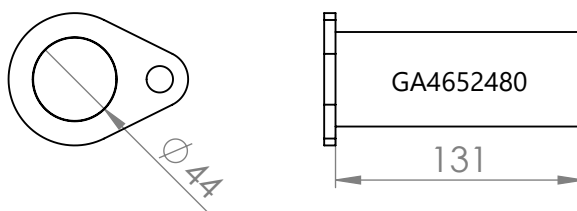
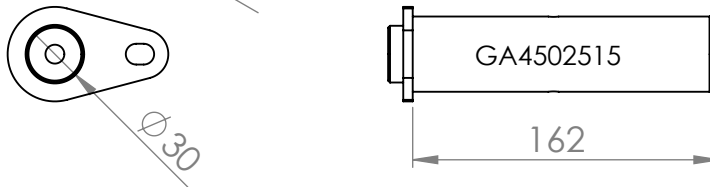
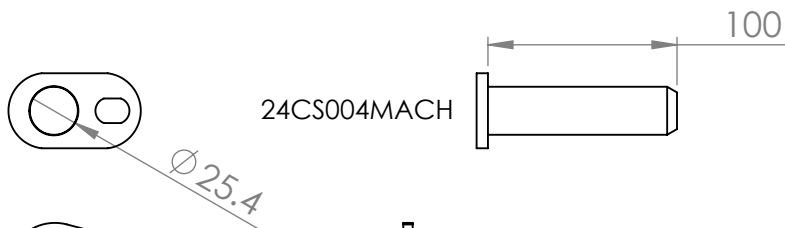
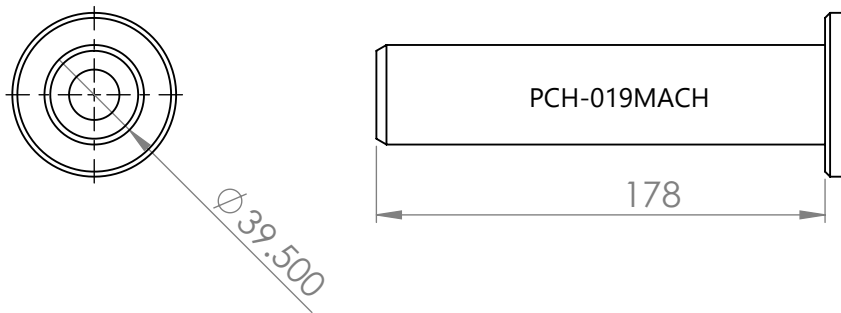
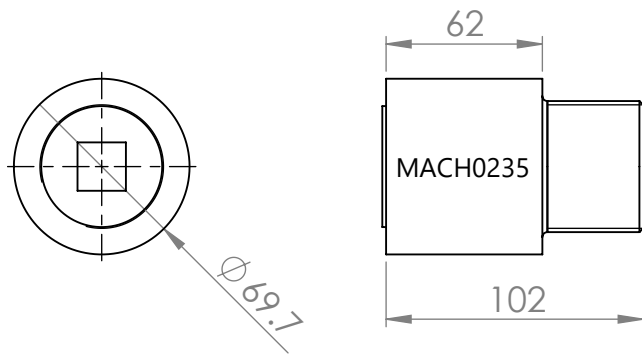


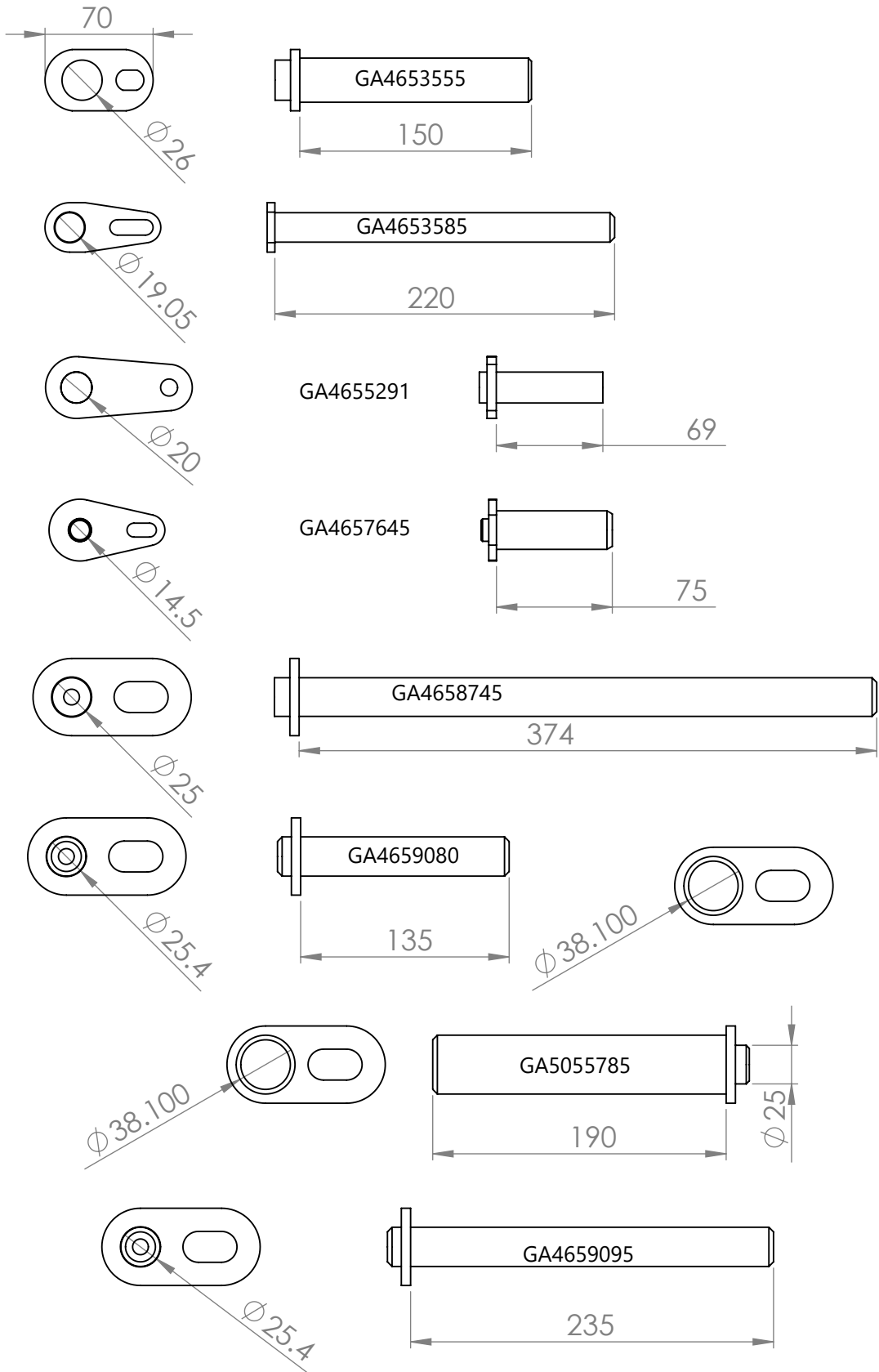


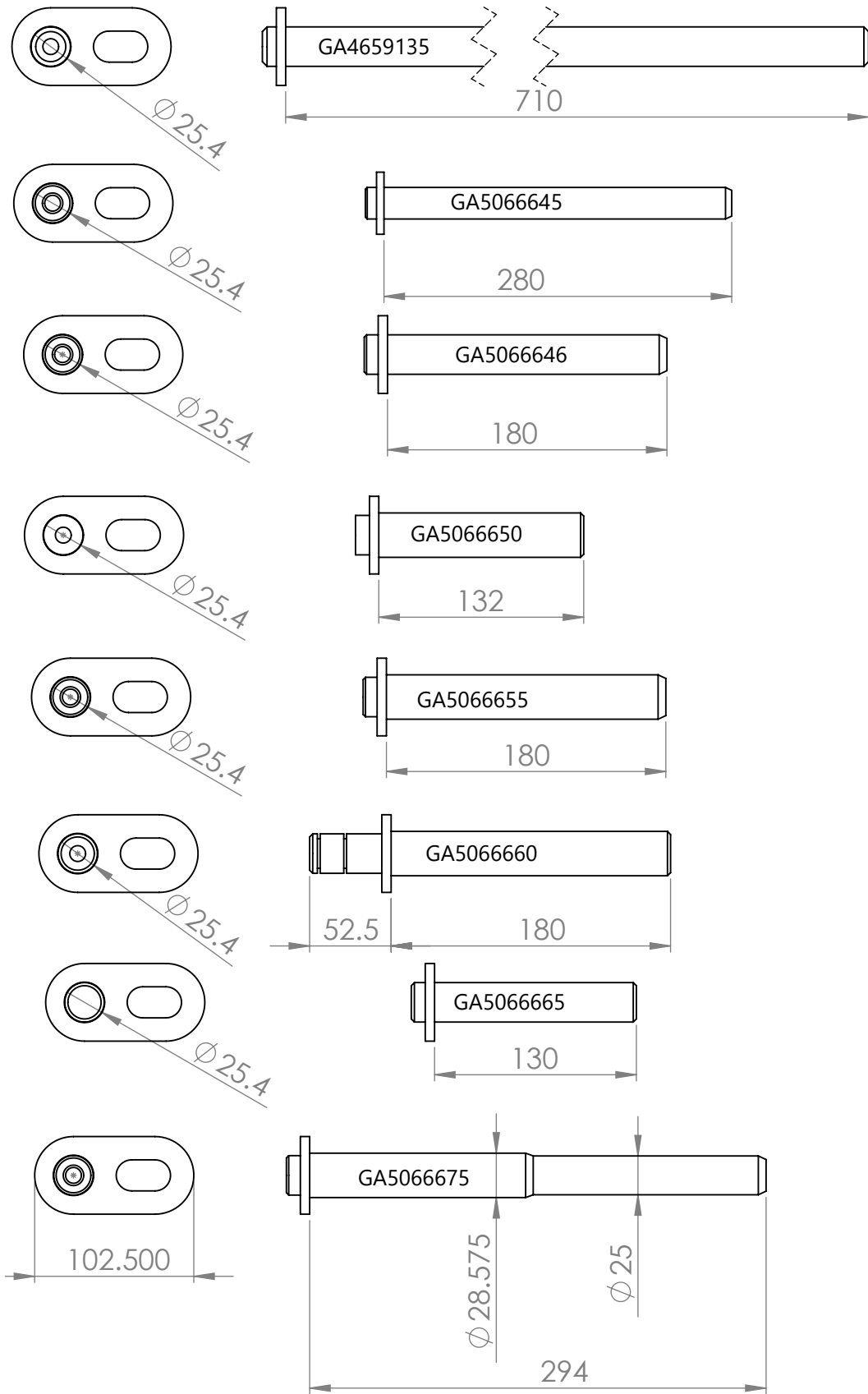


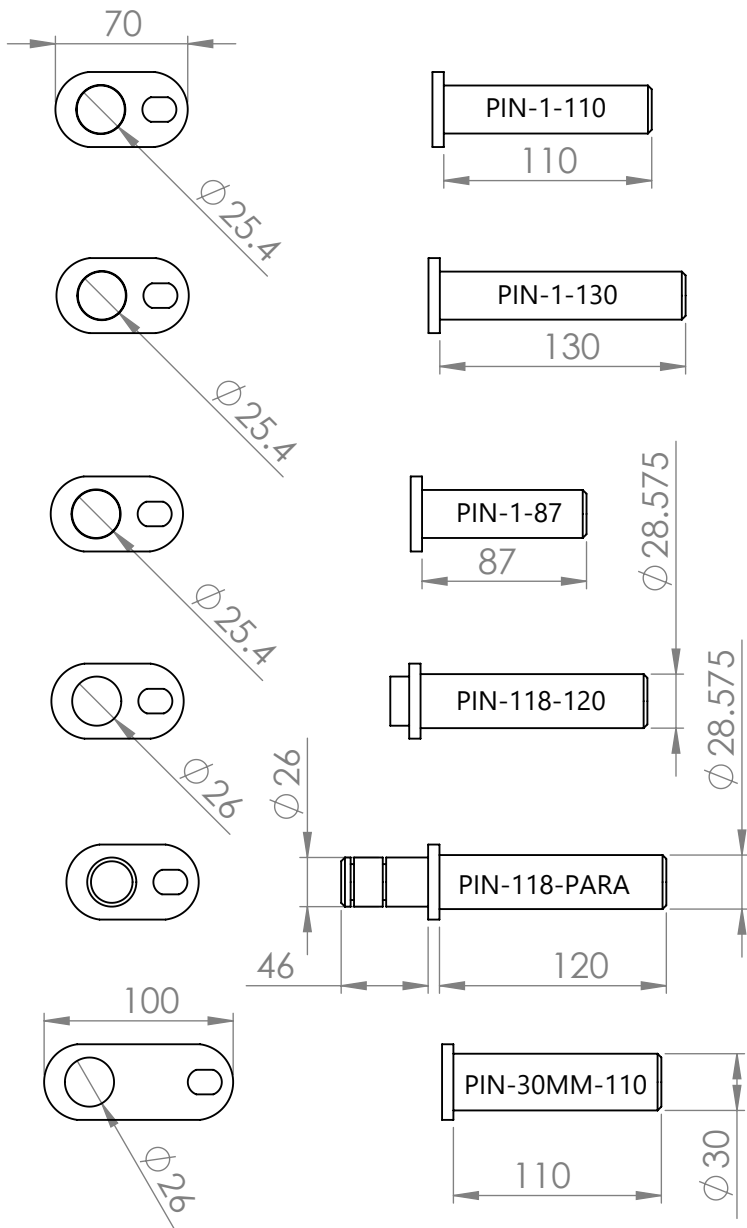








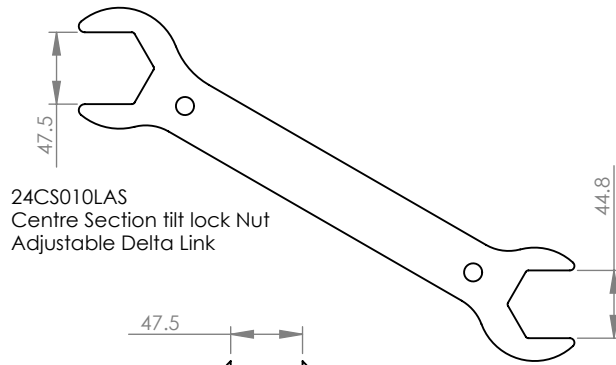




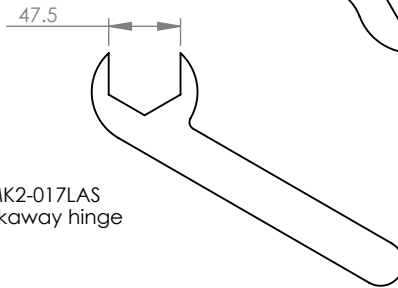
Chapter 6

SPANNERS

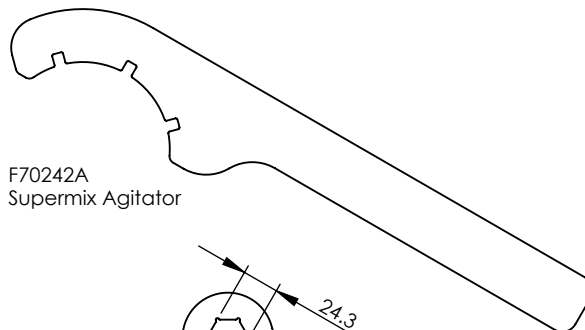
All dimensions shown are in millimeters (mm)



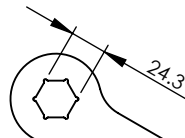
24CS010LAS
Centre Section tilt lock Nut
Adjustable Delta Link



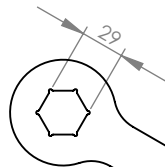
BH-MK2-017LAS
Breakaway hinge



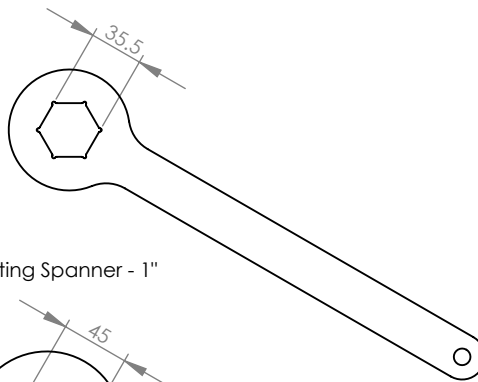
F70242A
Supermix Agitator



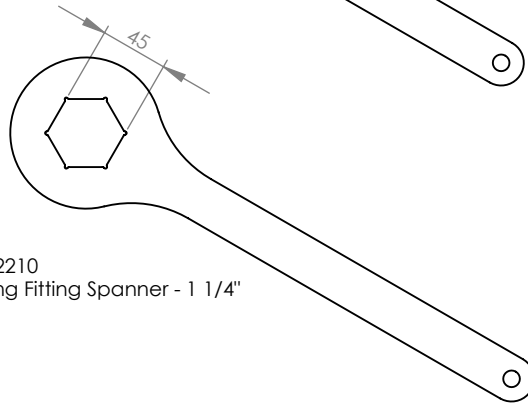
GA4532195
Plumbing Fitting Spanner - 1/2"



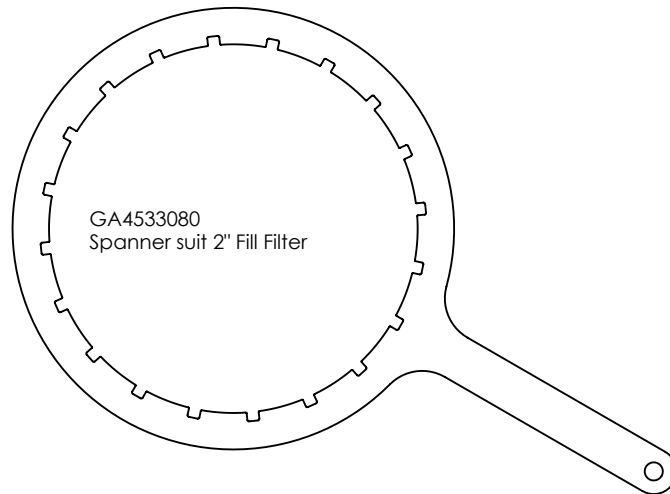
GA4532200
Plumbing Fitting Spanner - 3/4"



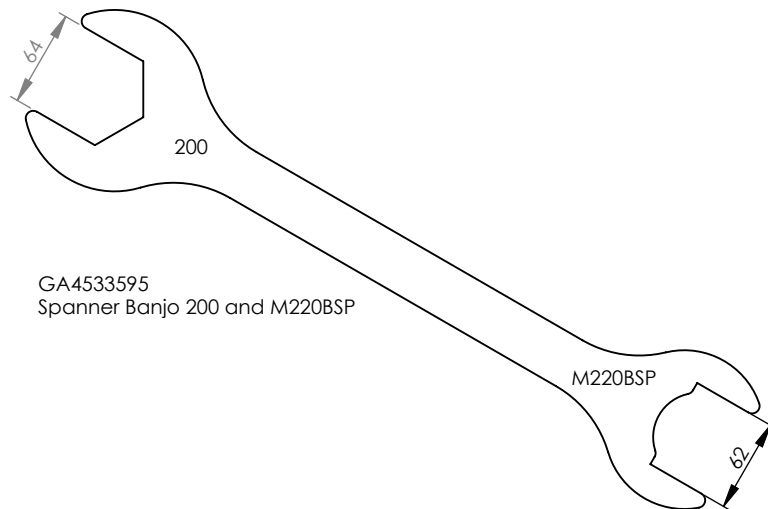
GA4532205
Plumbing Fitting Spanner - 1"



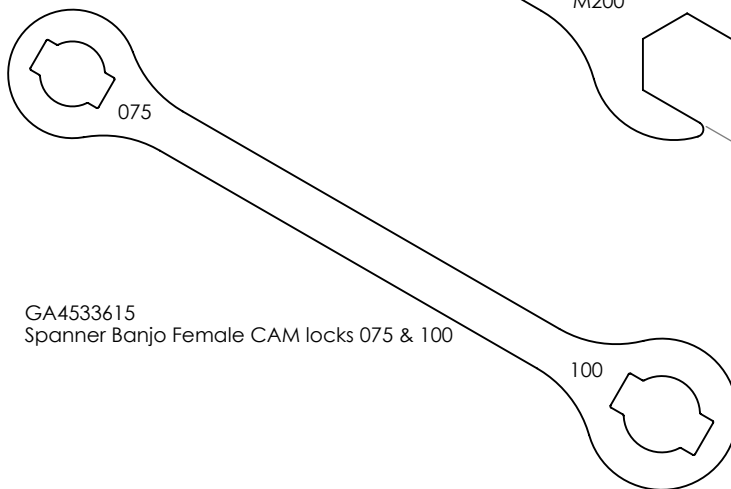
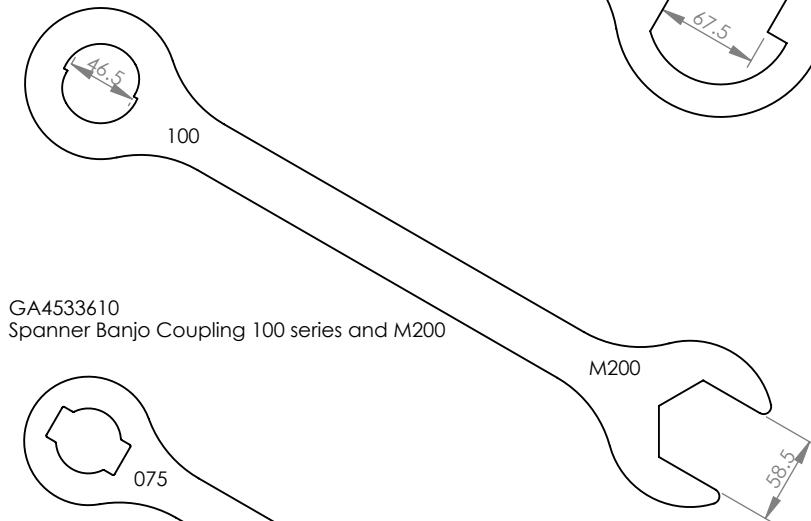
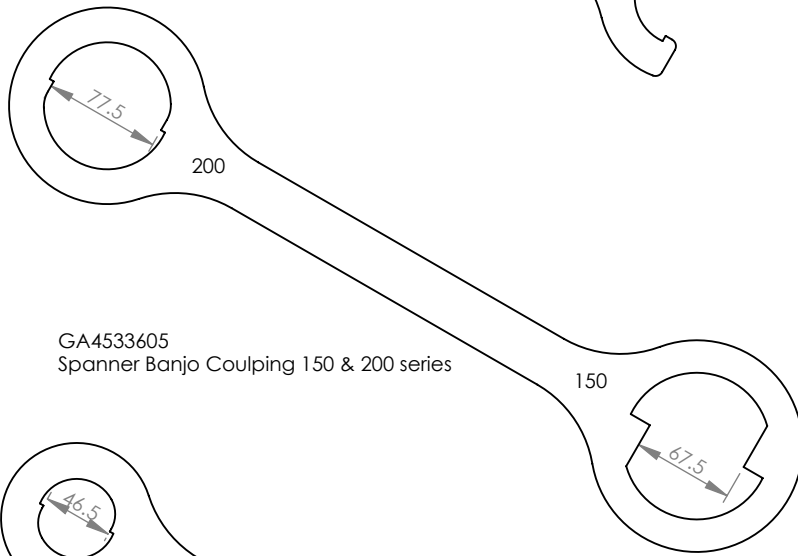
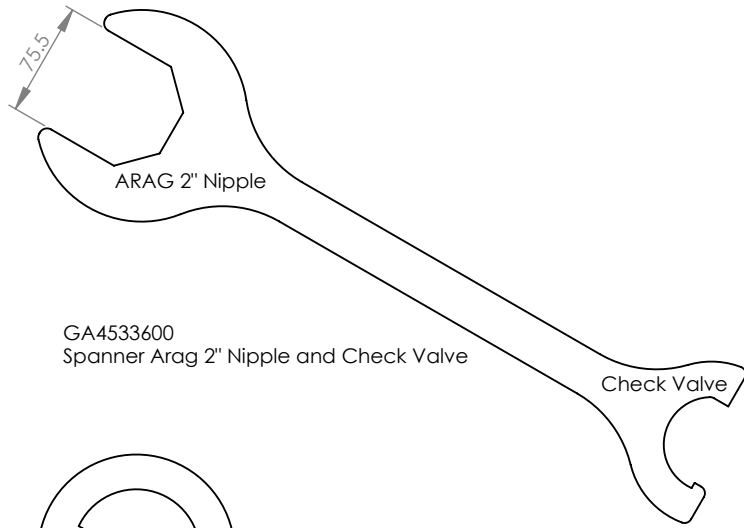
GA4532210
Plumbing Fitting Spanner - 1 1/4"

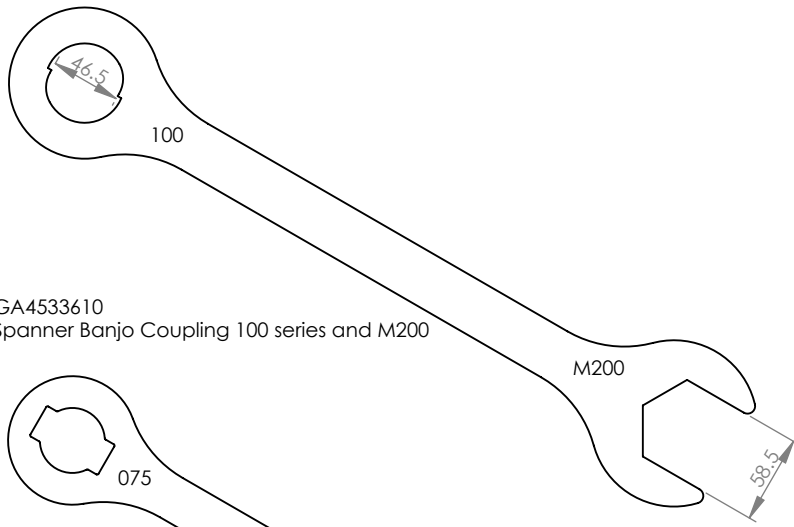


GA4533080
Spanner suit 2" Fill Filter

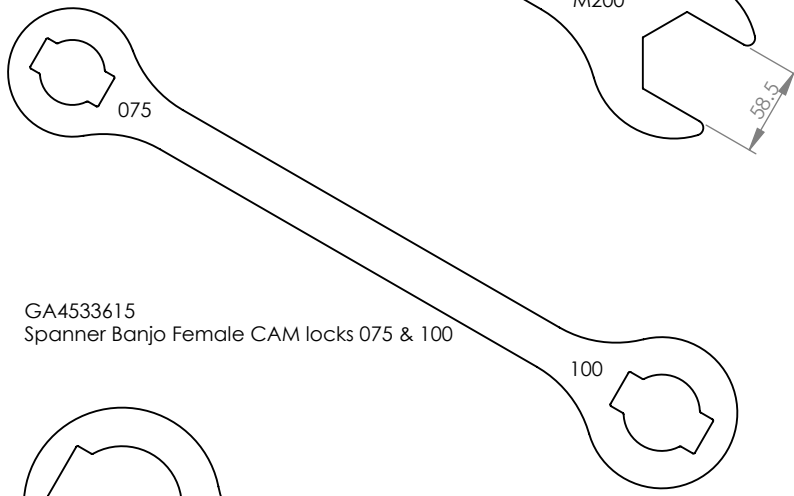


GA4533595
Spanner Banjo 200 and M220BSP

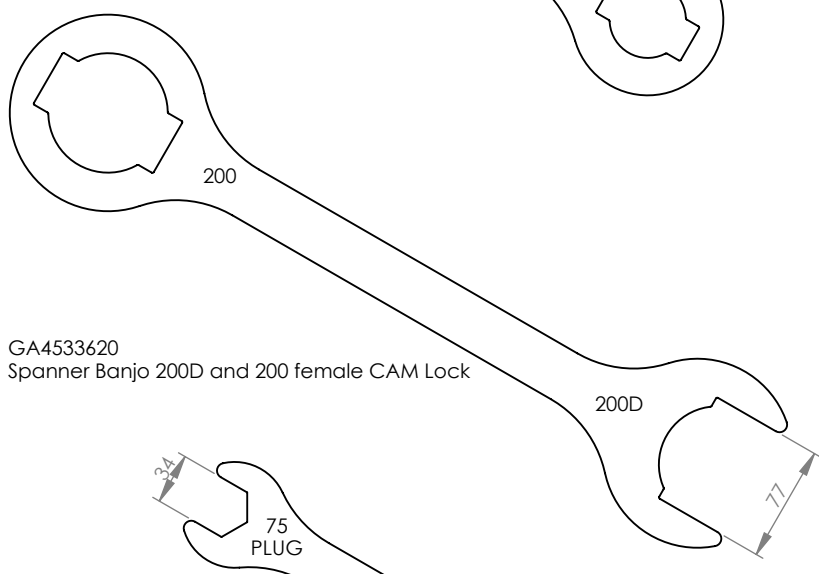




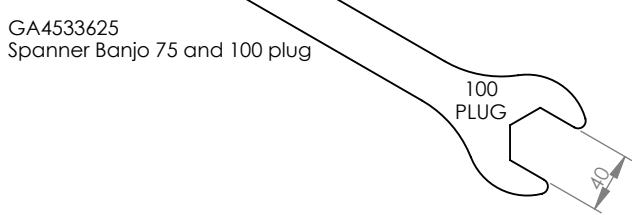
GA4533610
Spanner Banjo Coupling 100 series and M200



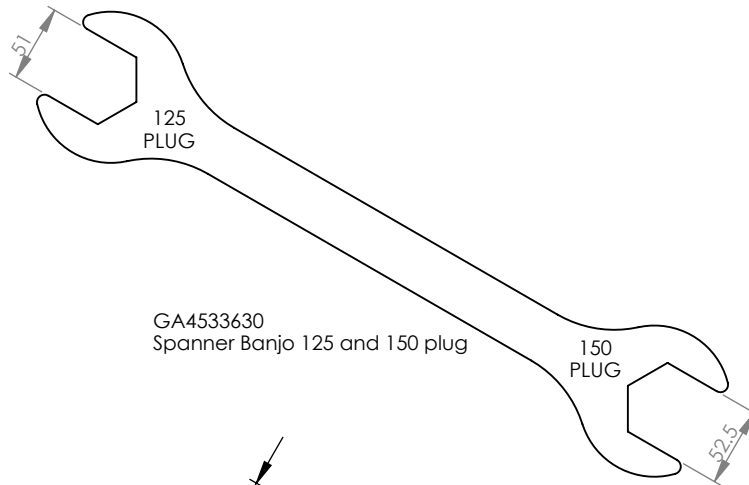
GA4533615
Spanner Banjo Female CAM locks 075 & 100



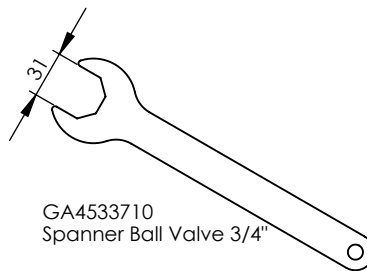
GA4533620
Spanner Banjo 200D and 200 female CAM Lock



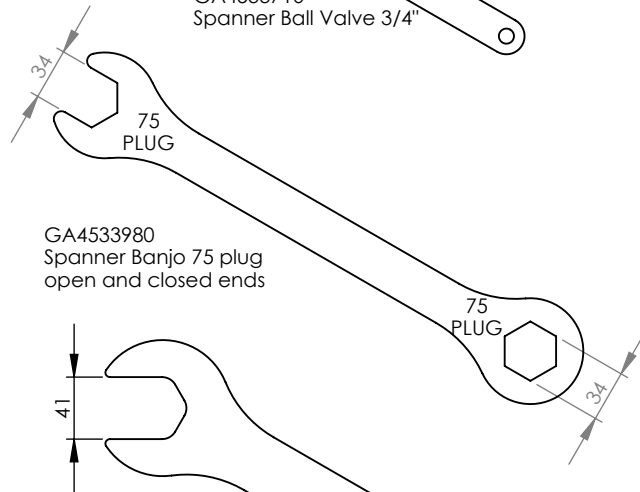
GA4533625
Spanner Banjo 75 and 100 plug



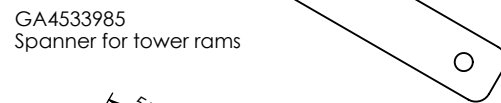
GA4533630
Spanner Banjo 125 and 150 plug



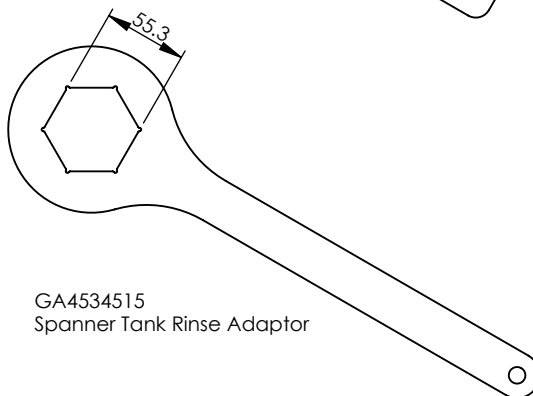
GA4533710
Spanner Ball Valve 3/4"



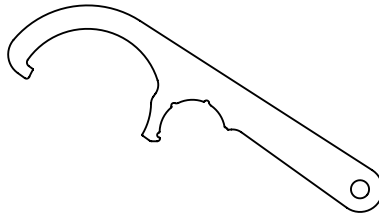
GA4533980
Spanner Banjo 75 plug
open and closed ends



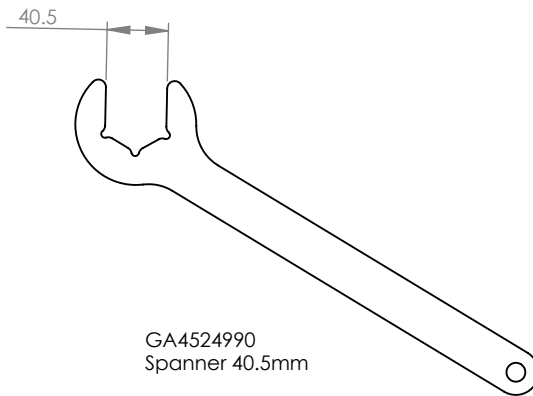
GA4533985
Spanner for tower rams



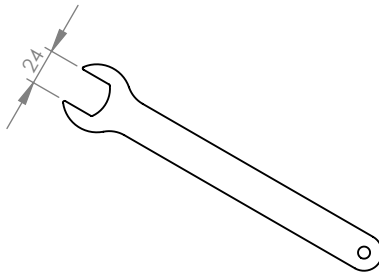
GA4534515
Spanner Tank Rinse Adaptor



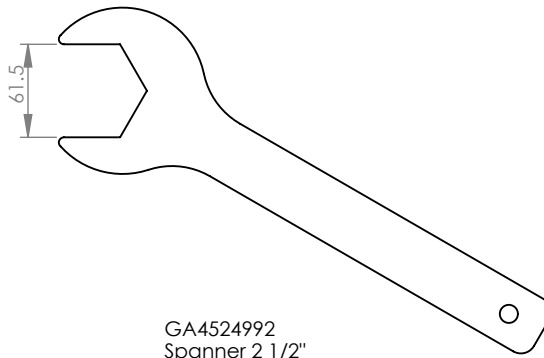
GA4522610
Tool for removing Teejet pressure filter



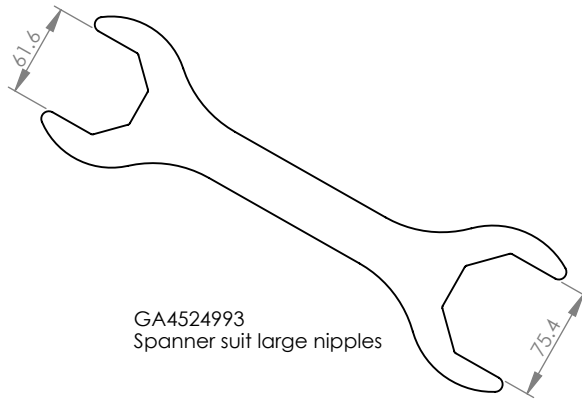
GA4524990
Spanner 40.5mm



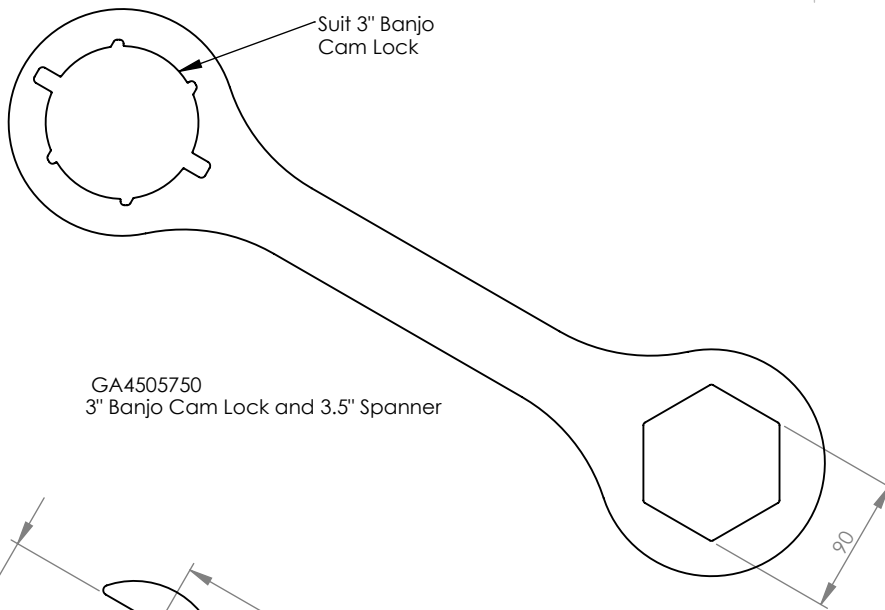
GA4524991
SP spanner 24mm



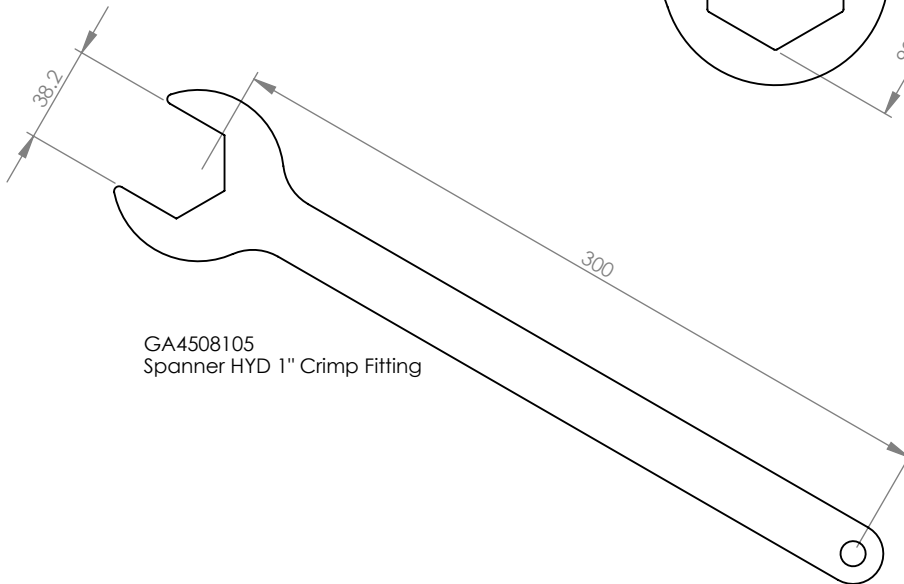
GA4524992
Spanner 2 1/2"



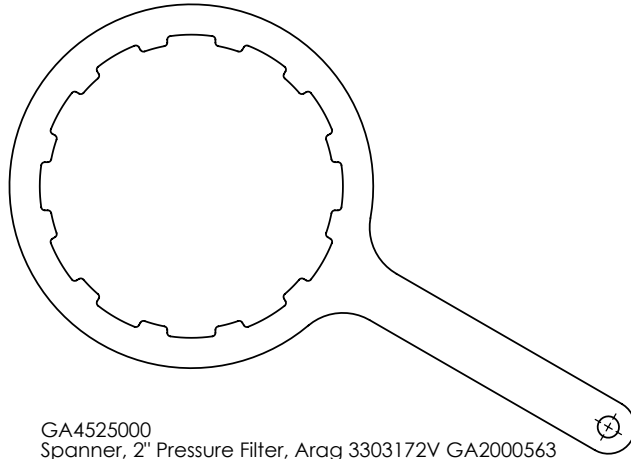
GA4524993
Spanner suit large nipples



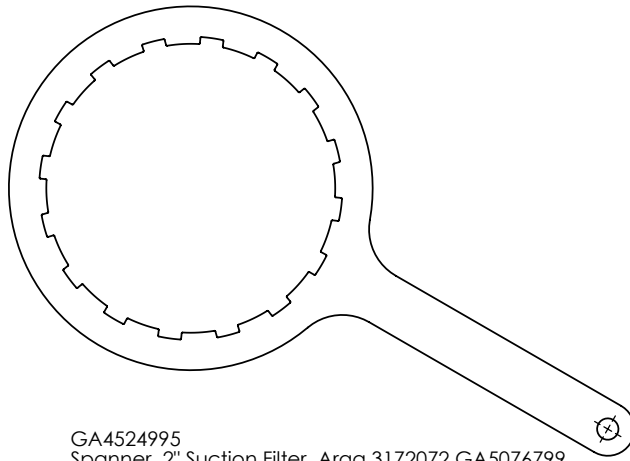
GA4505750
3" Banjo Cam Lock and 3.5" Spanner



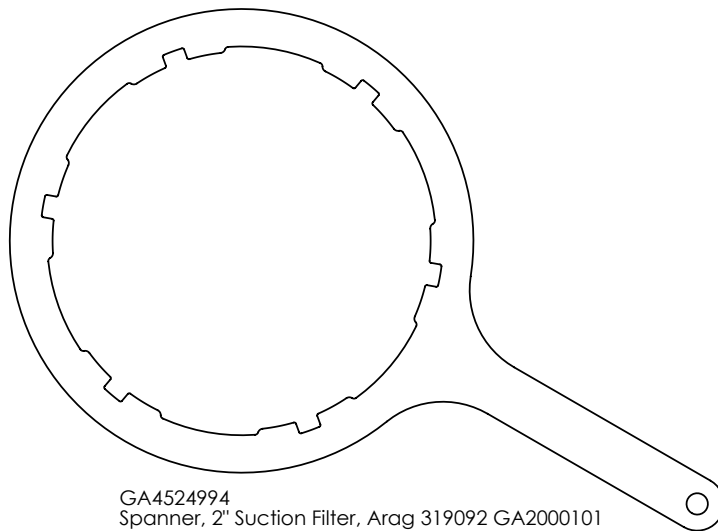
GA4508105
Spanner HYD 1" Crimp Fitting



GA4525000
Spanner, 2" Pressure Filter, Arag 3303172V GA2000563



GA4524995
Spanner, 2" Suction Filter, Arag 3172072 GA5076799

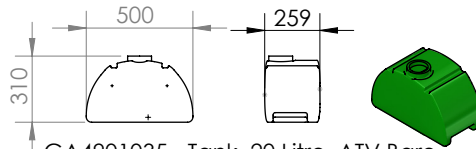


GA4524994
Spanner, 2" Suction Filter, Arag 319092 GA2000101

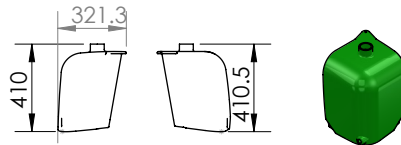
Chapter 7

TANKS

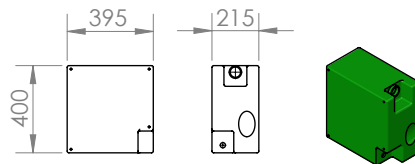
All dimensions shown are in millimeters (mm)



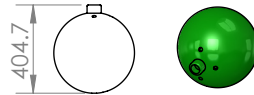
GA4901035 - Tank, 20 Litre, ATV Bare
 GA4903940 - Tank, 20 Litre, ATV With Lid
 LID REF - **A**



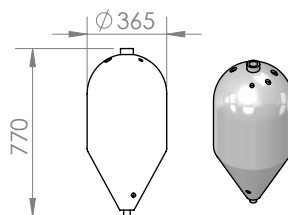
GA5071275 - Tank, Handwash, Green, Slip in, 3 Point Linkage 2014, Bare
 LID REF - **B**



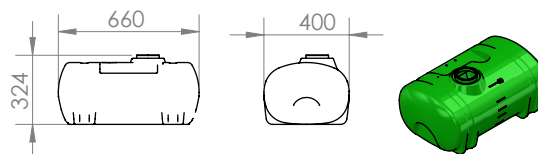
GA5023525 - Tank, Hand Wash, 23lt
 LID REF - **K**



GA4901038 - Tank 25 litre round ball
 GA4901041 - Tank 25 litre round ball with lid, sight tube
 LID REF - **B**

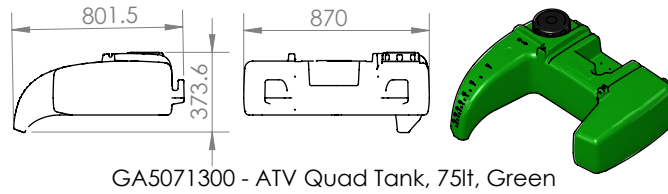


GA4901047 - Tank, 45L, Natural, Suit Transcal
 GA5049105 - Tank 45L fresh water - green
 LID REF - **C**

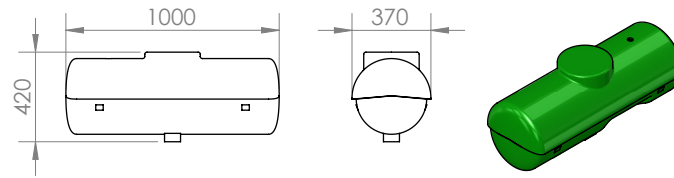


GA8500005 - Tank, 50L, Black lid, Flat base
 LID REF - **E**

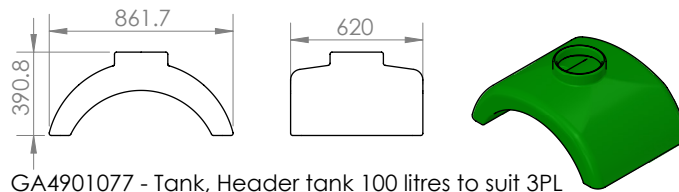
50L tank uses lid A



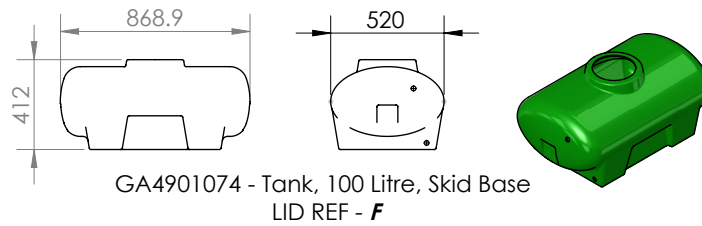
GA5071300 - ATV Quad Tank, 75lt, Green



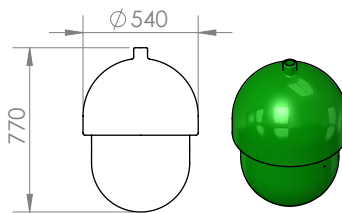
GA4901059 - Tank, 80 Litre, XL Tube, Bare
GA4903975 - Tank, 80 Litre, XL Tube, Lid, Strainer, Straps
LID REF - **F**



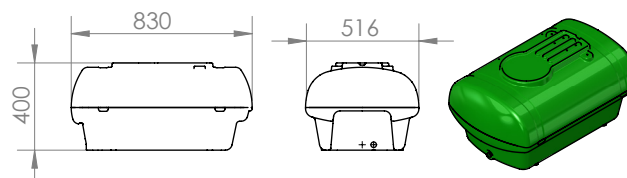
GA4901077 - Tank, Header tank 100 litres to suit 3PL tanks, 1000L, 1200L, 1500L, 1800L.
LID REF - **F**



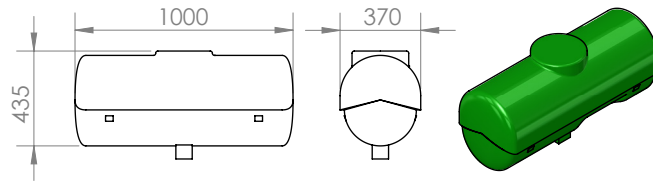
GA4901074 - Tank, 100 Litre, Skid Base
LID REF - **F**



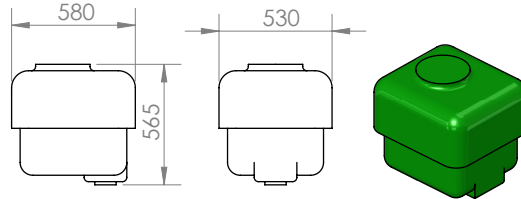
GA5018487 - Tank, 100L, Exacta foam marker, bare
GA4903081 - Tank, 100L, Exacta foam marker
GA5066970 - Tank 100L, Fresh water
LID REF - **B**



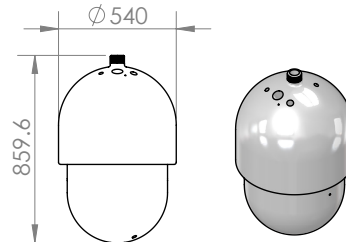
GA8500006 - Tank, 100L, Black Lid, Flat Base
LID REF - **E**



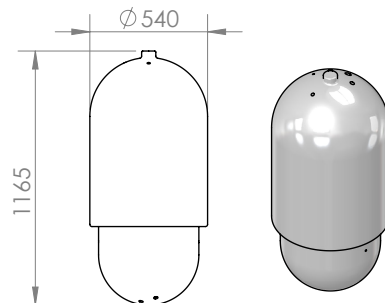
GA4901062 - BARE TANK
 GA4903980 - Tank, 100L, XLTube, Lid, Strainer, Straps
 LID REF - **F**



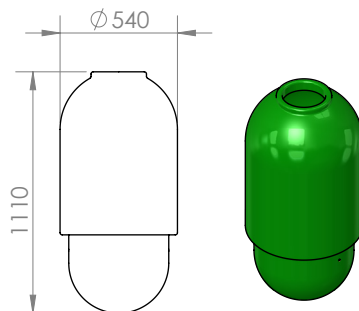
GA4901080 - Tank, 120 Litre, XL Tube bare
 GA4904030 - Tank, 120 Litre, XL Tube With Lid And Strainer
 LID REF - **F**



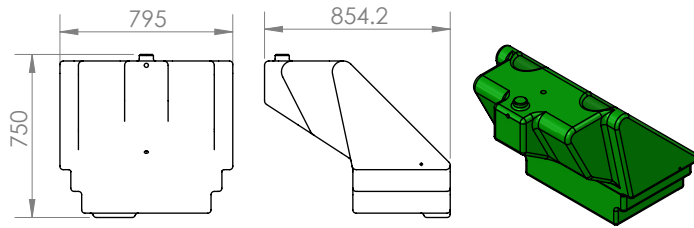
GA5020635 - Tank, 120L Natural, Exacta Foam/direct i
 GA4900231- Tank, 120L, VACUUM WITH LID
 LID REF - **C**



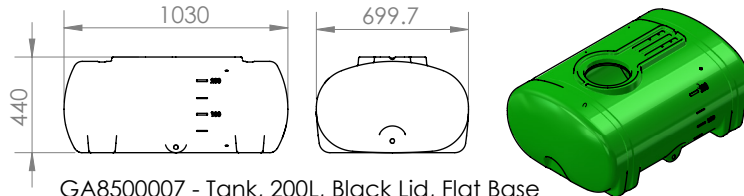
GA5018495 - Tank 165 L, Natural, Direct Injection
 GA4904035 - Tank, 165L, VACUUM WITH LID
 LID REF - **C**



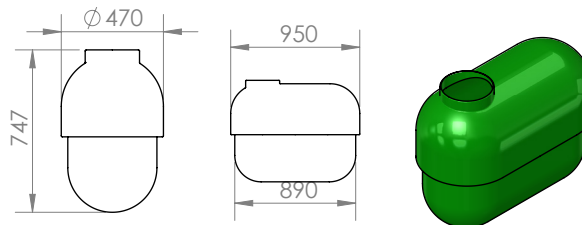
GA5045165 - Tank 180L Fresh Water
 GA4903085 - Pre-assembled flush tank 180L
 GA5049085 - Tank 180 litre with lid (Fresh water)
 LID REF - **F**



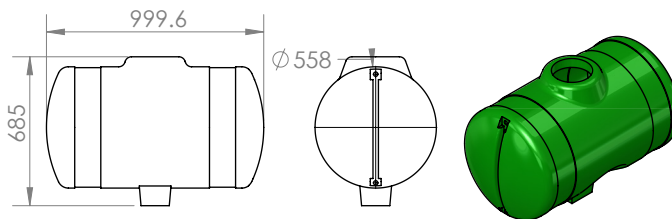
GA5061120 - Tank 180L, Flush Tank, Angled to suit 3000L EF tank, bare
LID REF - **B**



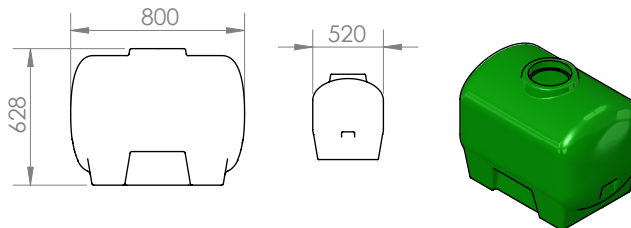
GA8500007 - Tank, 200L, Black Lid, Flat Base
LID REF - **F**



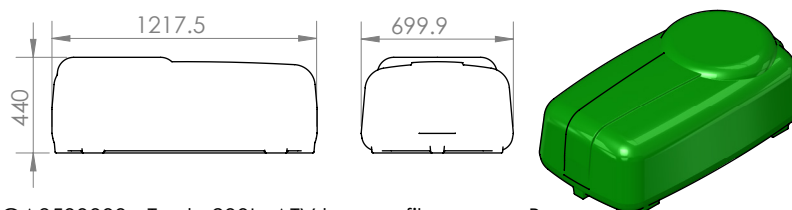
GA4901095 - Tank, 200 litres, flush water, bare
GA4904020 - Tank 200 litre with lid (Fresh water)
LID REF - **F**



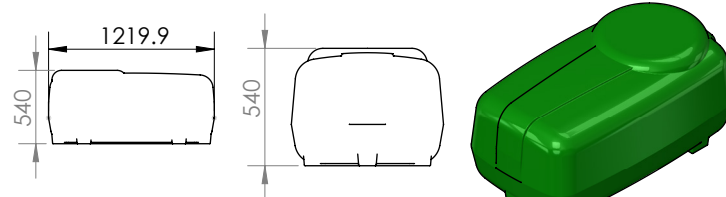
GA4901089 - Tank, 200 Litre, XL Tube Bare
GA4903985 - Tank, 200L, XLTube, Lid, Strainer, Straps, Sight Tube
GA4901092 - Tank, 200 Litre, XLTube, Lid, Strainer, Straps, Sight Tube And Cradle
LID REF - **F**



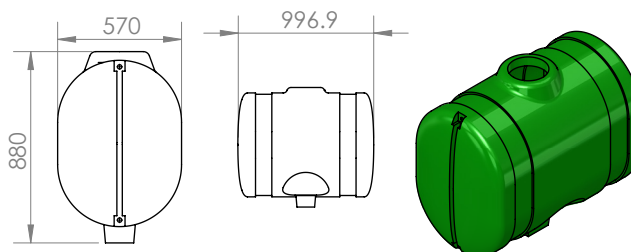
GA4901098 - Tank, 200 Litre, Skid Base Bare
GA4903955 - Tank, 200 Litre, Skid Base With Lid
LID REF - **F**



GA8500000 - Tank, 200L, ATV low profile, green, Bare
LID REF - **G**



GA5023660 - Tank 300lt Compact with sump

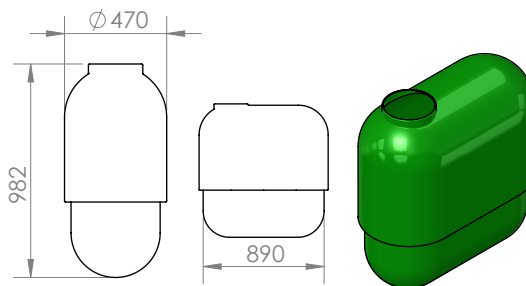


GA4901101 - Tank, 300 Litre, XL Tube Bare

GA4903990 - Tank, 300 Litre, XLTube, Lid, Strainer, Straps, Sight Tube

GA4901107 - Tank, 300 Litre, XLTube, Lid, Strainer, Straps, Sight Tube And Cradle

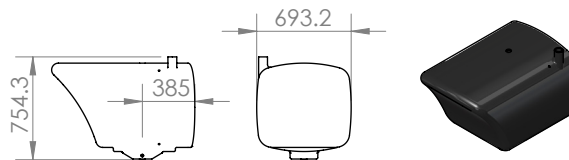
LID REF - **F**



GA4901113 - Tank, 300 litres flush water, Bare

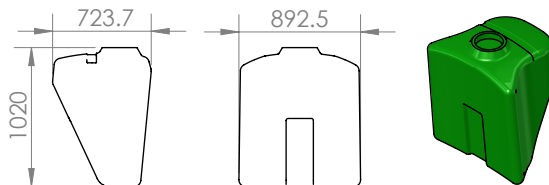
GA4903131 - Tank 300 litre with lid (Fresh water)

LID REF - **F**



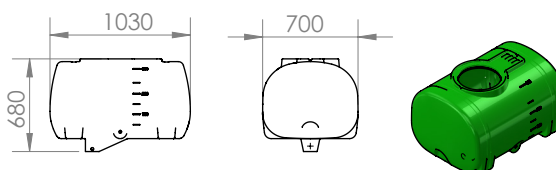
GA5071160 - Tank, Fresh Water, 300L, G3 G4 Series, Bared

LID REF - **B**



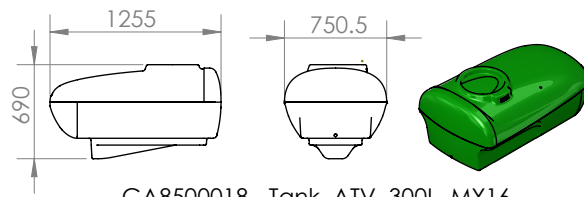
GA5070015 - Tank, 300L, fresh water crop cruiser, Bare

LID REF - **F**

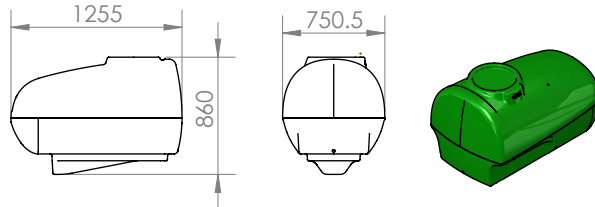


GA8500008 - Tank, 300L, Black Lid, Flat Base

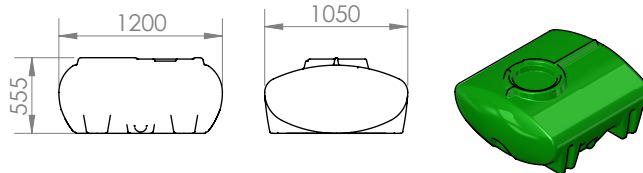
LID REF - **H**



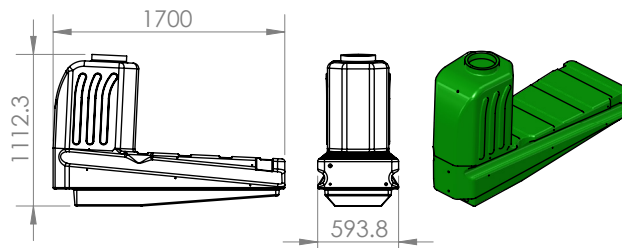
GA8500018 - Tank, ATV, 300L, MY16
LID REF - **G**



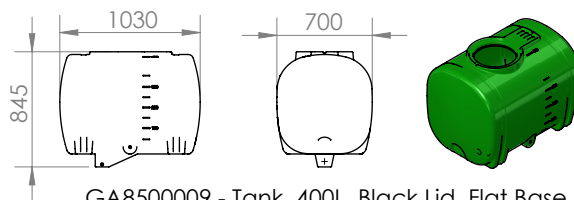
GA8500019 - Tank, ATV, 400L, MY16
LID REF - **G**



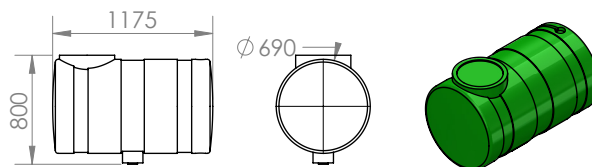
GA5023130 - 400lt Cartage Spray tank with sump and lid
LID REF - **G**



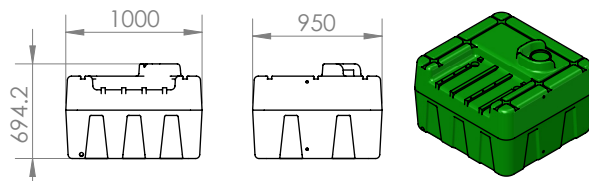
GA5018367 - Tank 400lt Underbelly, Bare
LID REF - **F**



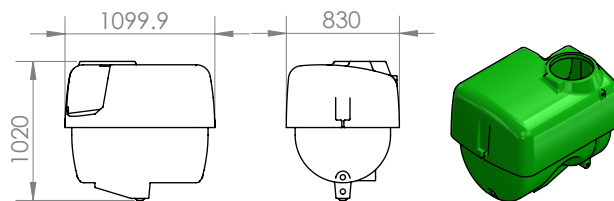
GA8500009 - Tank, 400L, Black Lid, Flat Base
LID REF - **H**



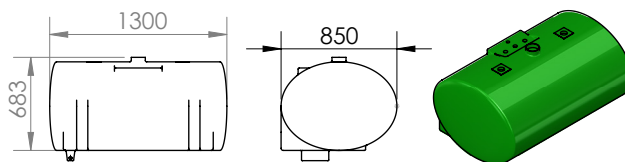
- GA4901116 - Bare tank
 - GA4903995 - Tank, 400 Litre, XLTube, Lid, Strainer, Straps, Sight Tube
 - GA4901119 - Tank, 400 Litre, XLTube, Lid, Strainer, Straps, Sight Tube And Cradle
 - GA4901122 - Tank, 400 Litre, 3PL With Lid, Strainer, Sight Tube and Linkage Frame
- LID REF - **J**



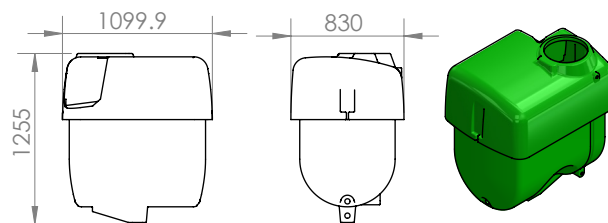
GA5061085 - Tank, 450 litres Spray Skid Base, Square, Green
 GA5061087 - Tank 450 lt Skid Base Cartage Clear
 LID REF - **E**



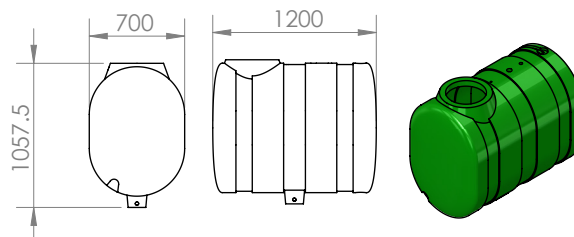
GA5071255 - Tank, 450L 3 Point Linkage 2014, Bare
 LID REF - **G**



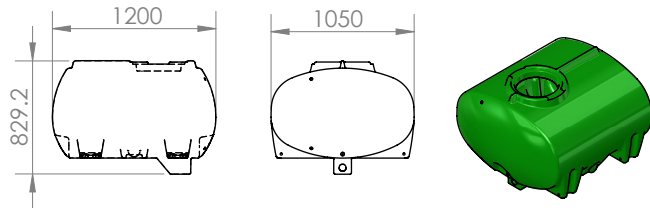
GA5069960 - Tank 520L bulk DCI, Green, Crop Cruiser MY11, Bare
 GA5069961 - Tank, 520L, Fresh Water SP Black, Bare
 LID REF - **A**



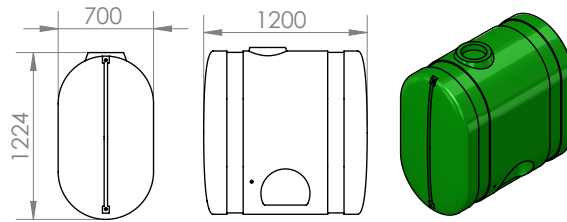
GA5071260 - Tank, 600L 3 Point Linkage 2014, Bare
 LID REF - **G**



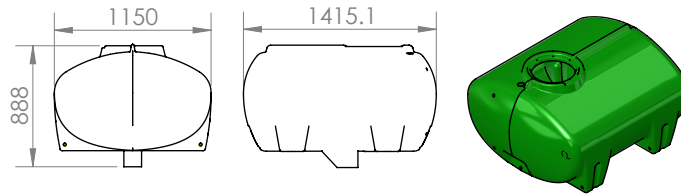
GA4901128 - Bare tank
 GA4901131 - Tank, 600 Litre, 3PL With Lid, Strainer, Straps, Sight Tube And Linkage Frame
 GA4901134 - Tank, 600 Litre, 3PL With Lid, Strainer, Straps, Sight Tube And Cradle
 GA4904040 - Tank, 600 Litre, 3PL With Lid, Strainer, Straps, Sight Tube
 LID REF - **J**



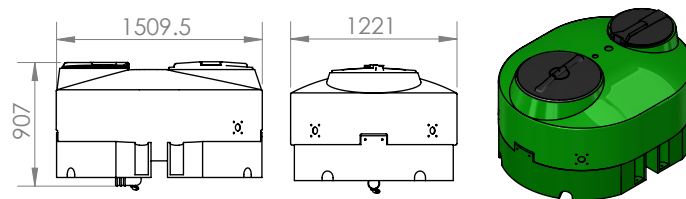
GA5023135 - 600lt Cartage Spray tank with sump and lid
LID REF - **G**



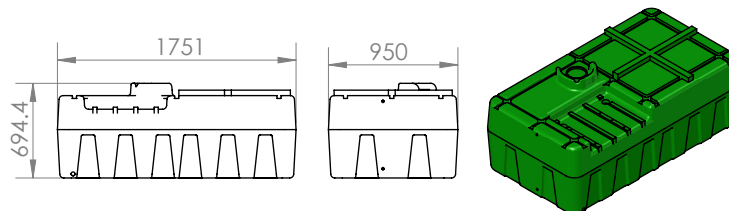
GA4901137 - Tank, 800 Litre, 3PL Bare
GA4901140 - Tank, 800 Litre, 3PL With Lid, Strainer, Straps, Sight Tube
And Linkage Frame
GA4901143 - Tank, 800 Litre, 3PL With Lid, Strainer, Straps, Sight Tube
And Cradle
GA4904045 - Tank, 800 Litre, 3PL With Lid, Strainer, Straps, Sight Tube
LID REF - **J**



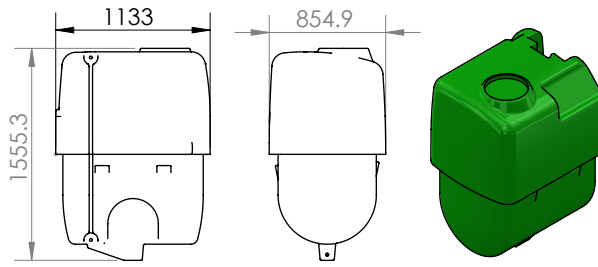
GA5022093 - Tank, 800 L, Cartage, Green, Bare, suit trailing compact
with sump
GA5022090 - Tank 800 lt Cartage White (suit trailing fire fighting)
LID REF - **G**



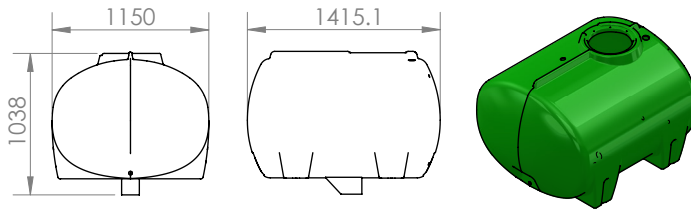
GA8500001 - Tank, 800L, Batch mixing tank white, including green base and lids



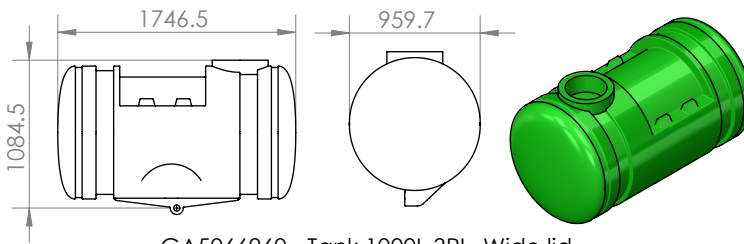
GA5061090 - Tank 800 litres Skid Base Green
GA5061093 - Tank 800 lt Skid Base White
LID REF - **E**



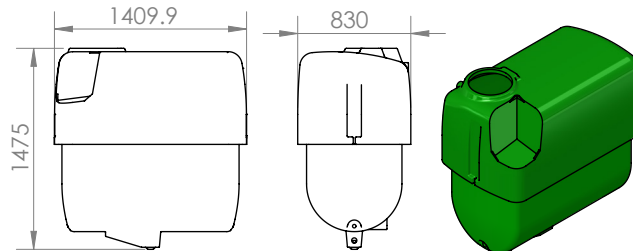
GA5071265 - Tank, 800L 3 Point Linkage 2014, Bare
LID REF - **G**



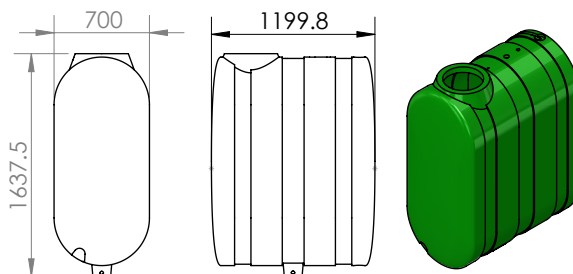
GA5022098 - Tank, 1000 L, Cartage, Green, Bare
GA5022095 - Tank 1000 lt Cartage White (suit trailing fire fighting)
LID REF - **G**



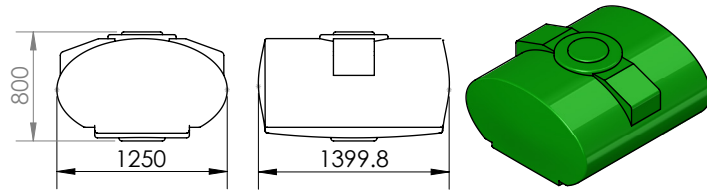
GA5066960 - Tank 1000L 3PL, Wide lid
LID REF - **J**



GA5071270 - Tank, 1000L 3 Point Linkage 2014, Bare
LID REF - **G**

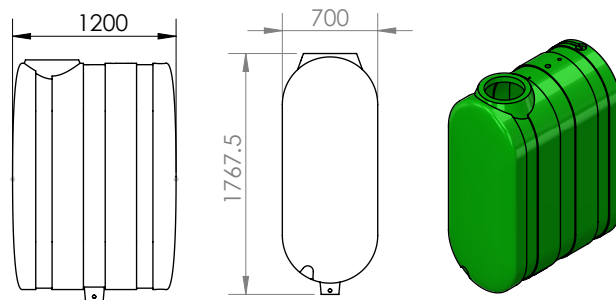


GA4901152 - Tank, 1000 Litre, 3PL Bare tank
GA4901155 - Tank, 1000 Litre, 3PL with Lid, Strainer, Straps, Sight Tube and Linkage Frame (Steps)
GA4904050 - Tank, 1000 Litre, 3PL with Lid, Strainer, Straps, Sight Tube
LID REF - **J**



GA4904070 - Tank, 1000 Litre, Lowline With Lid, Strainer, Straps, Sight Tube

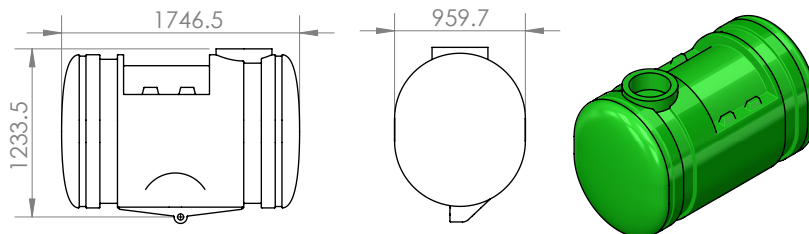
GA4901158 - Tank, 1000 Litre, Lowline With Lid, Strainer, Straps, Sight Tube And Base Mount
LID REF - **J**



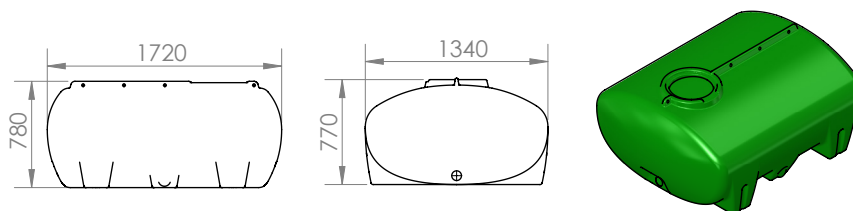
GA4901173 - Tank, 1200 Litre, 3PL Bare tank

GA4901176 - Tank, 1200 Litre, 3PL With Lid, Strainer, Straps, Sight Tube And Linkage Frame (Steps)

GA4904055 - Tank, 1200 Litre, 3PL with Lid, Strainer, Straps, Sight Tube
LID REF - **J**

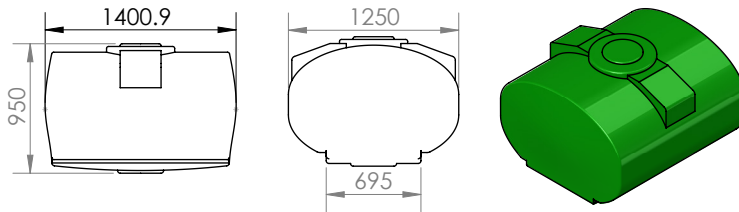


GA5047475- Tank 1200L 3PL wide
LID REF - **J**

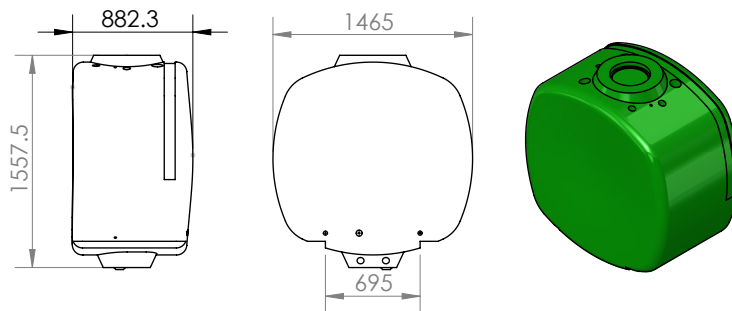


GA5022103 - Tank, 1200 L, Cartage, Green, Bare

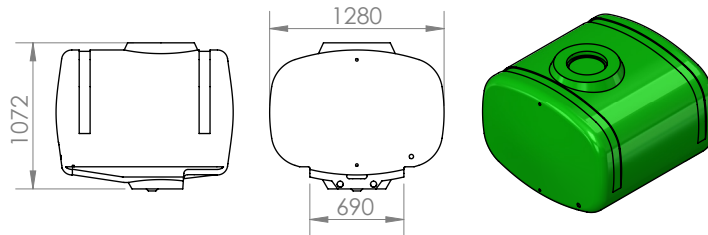
GA5022100 - Tank 1200 Lt Cartage White (suit trailing fire fighting)
LID REF - **G**



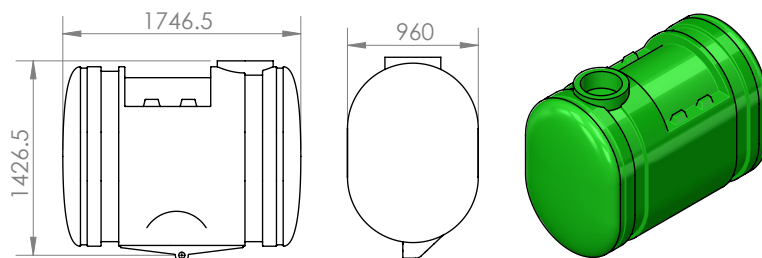
GA4901167 - Tank, 1200 Litre, Lowline
 GA4901170 - Tank, 1200 Litre, Lowline With Lid, Strainer, Straps, Sight
 Tube And Base Mount
 LID REF - **J**



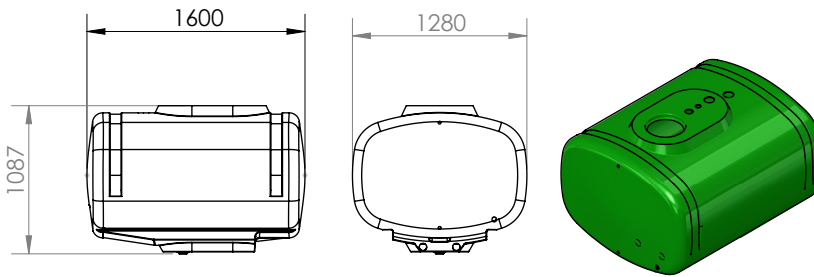
GA5069940 - Tank 1250L Dual product SP 2011, bare
 LID REF - **J**



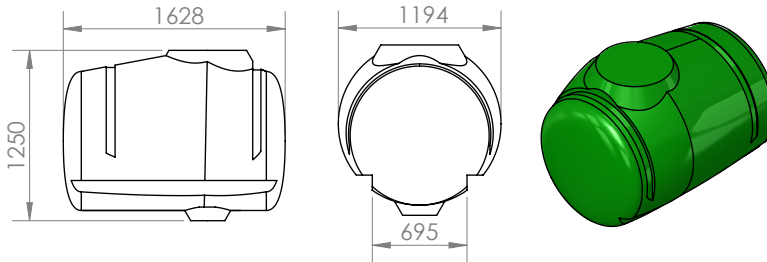
GA5061095 - Tank 1380LT Compact, Bare
 LID REF - **J**



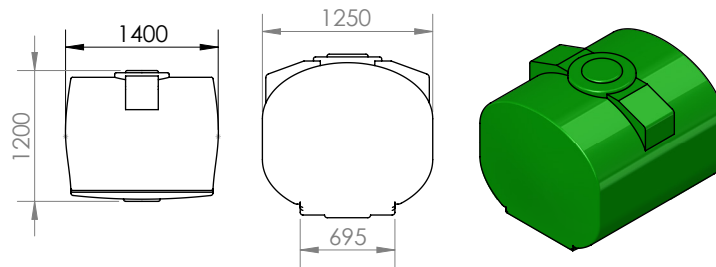
GA4901188 - Tank, 1500 Litre, 3PL Bare tank
 GA4901191 - Tank, 1500 Litre, 3PL With Lid, Strainer, Straps, Sight Tube And
 Linkage Frame (Steps)
 GA4904060 - Tank, 1500 Litre, 3PL with Lid, Strainer, Straps, Sight Tube
 LID REF - **J**



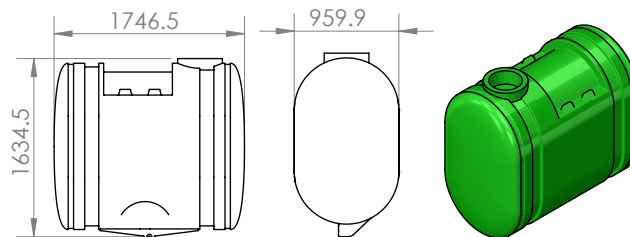
GA5061100 - 1500L Small Frame Prairie Special
LID REF - J



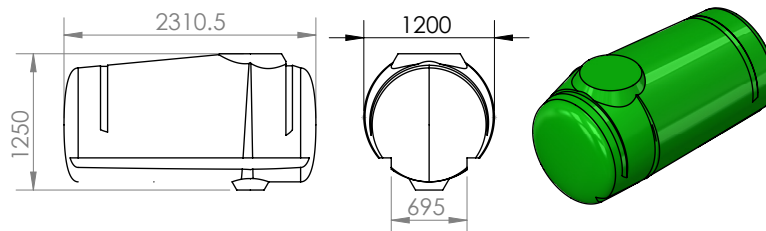
GA4901179 - Tank 1500L Compact, Green, Bare
LID REF - J



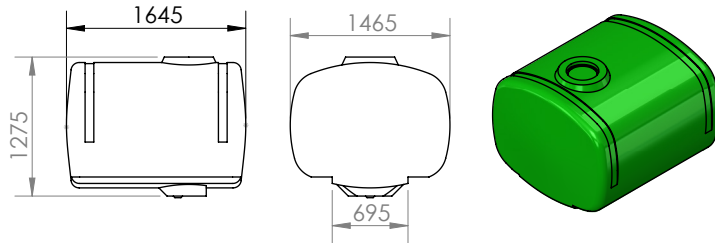
GA5049620 - Tank, 1500 Litre, Lowline
GA4901182 - Tank, 1500 Litre, Lowline With Lid, Strainer, Straps, Sight
Tube And Base Mount
LID REF - J



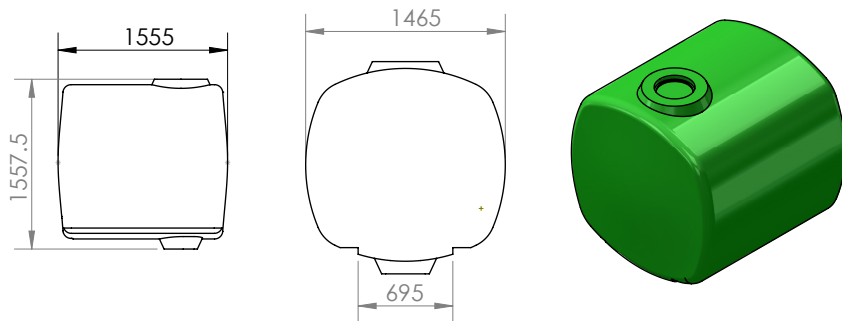
GA5018493 - Tank, 1800 Litre, 3PL Bare tank
GA4901197 - Tank, 1800 Litre, 3PL With Lid, Strainer, Straps, Sight Tube And Linkage Frame
GA4904065 - Tank, 1800 Litre, 3PL with Lid, Strainer, Straps, Sight Tube
LID REF - J



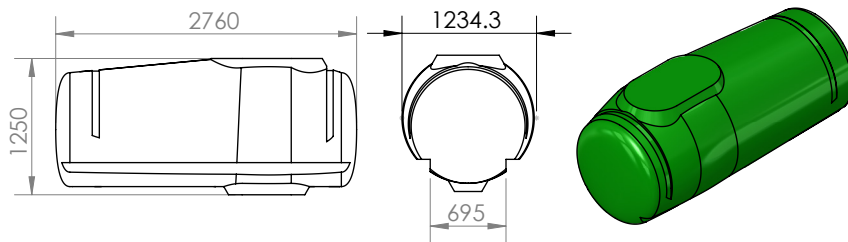
GA4901200 - Tank, 2000 Litre, Narrow suit Prairie
GA4901204 - Tank, 2000 litres with lid, strainer
LID REF - J



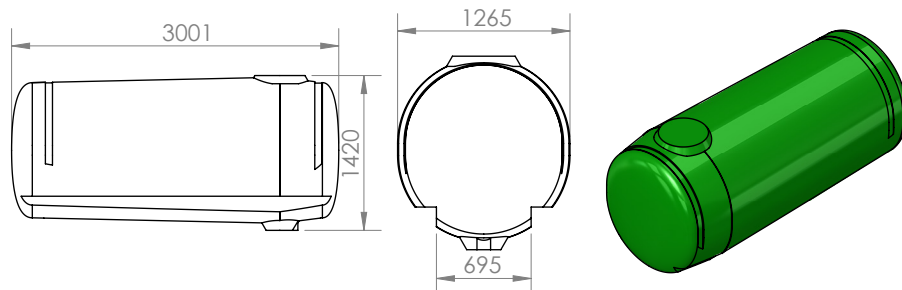
GA4901206 - Tank, 2000 litre Compact SP
 GA4904090 - Tank, 2000 Litre, Compact With Lid, Strainer, Straps, Sight Tube
 GA4904110 - Tank 2000 litre Short with lid, strainer, straps, sight tube
 LID REF - **J**



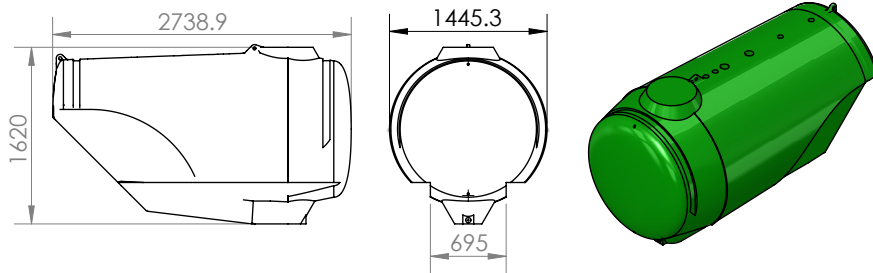
GA5018509 - Tank, 2500 litre Compact SP
 LID REF - **J**



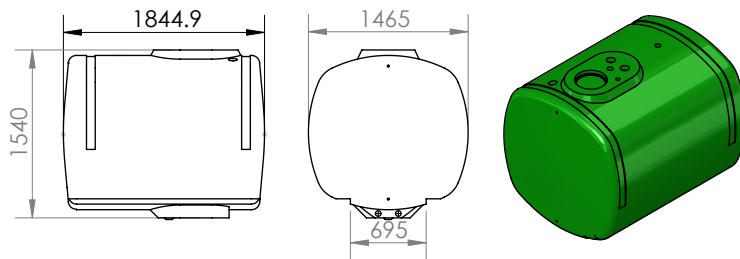
GA4901212 - Tank, 2500 litre Bare
 GA4904095 - Tank, 2500 Litre, Compact With Lid, Strainer, Straps, Sight Tube
 GA4901218 - Tank, 2500 litres with lid, strainer straps and sight tube. Short version
 LID REF - **J**



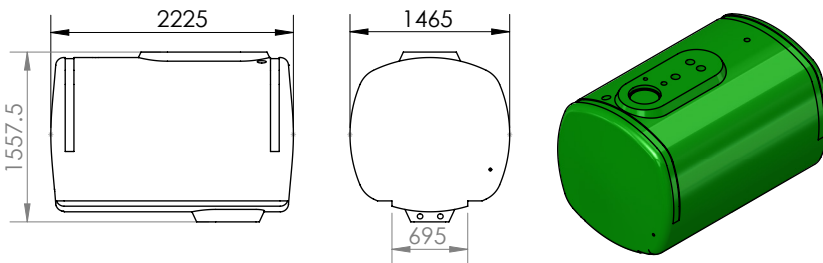
GA5018515 - Tank, 3000 litre Bare
 GA4904100 - Tank, 3000 Litre, With Lid, Strainer, Straps, Sight Tube
 LID REF - **J**



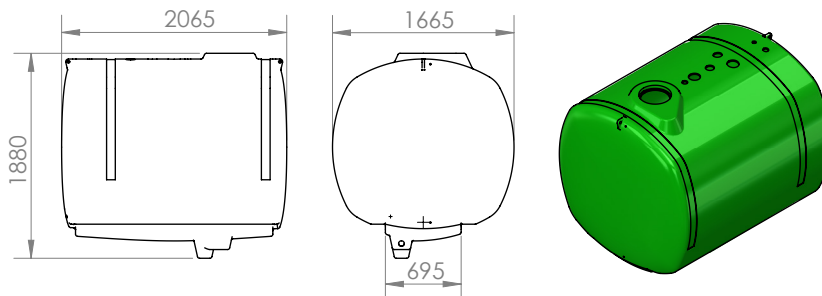
GA5061115 - Tank, 3000L EF, Bare
 GA4903840 - Prairie Special 3000L EF Tank Kit
 LID REF - **J**



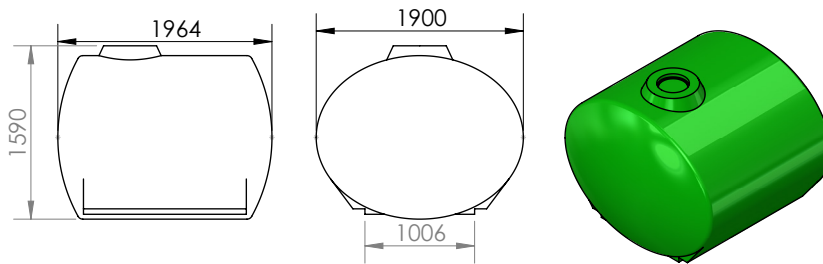
GA5018513 - Tank 3000L Short
 GA4901230 - Tank, 3000 litres suit crop cruiser with lid, strainer, straps, sight tube.
 LID REF - **J**



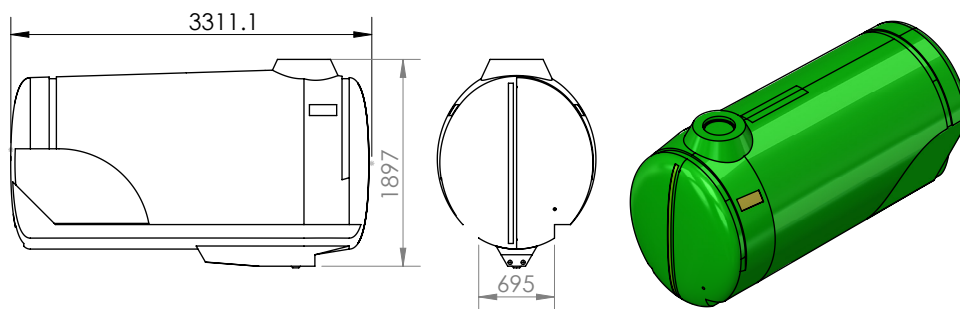
GA5018523 - Tank 3500L short suit SP, Bare
 LID REF - **J**



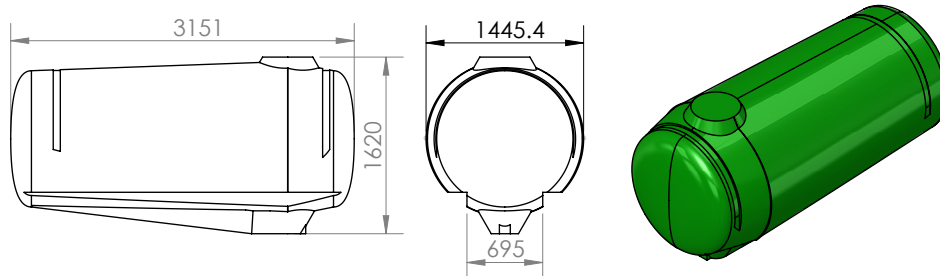
GA5071165 - Tank, 4000 Litre, G4, Bare
 LID REF - **J**



GA4901245 - Tank, 4000 litre short Bare
 GA4904115 - Tank, 4000 Litre, With Lid, Strainer, Straps, Sight Tube
 LID REF - **J**

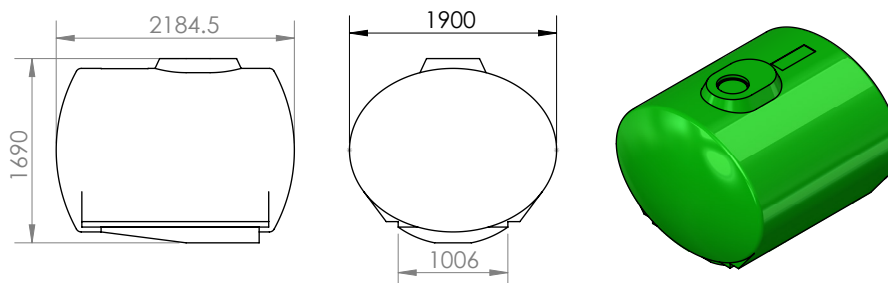


GA5070200 - Tank, 4000Litre, Prairie Advance EF, Bare.
 LID REF - **H**

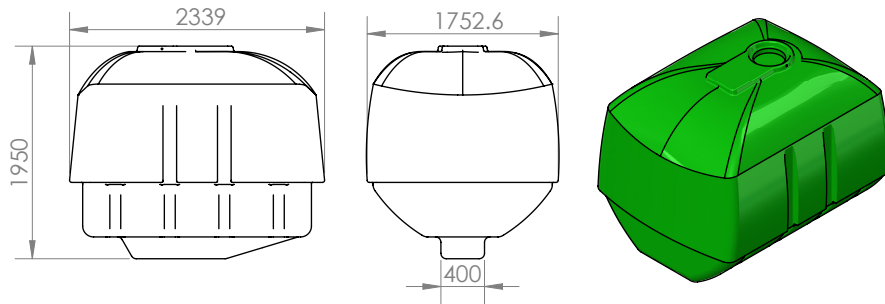


GA4901248 - Tank, 4000 litre Bare
 GA4904105 - Tank, 4000 Litre, With Lid, Strainer, Straps, Sight Tube
 LID REF - **J**

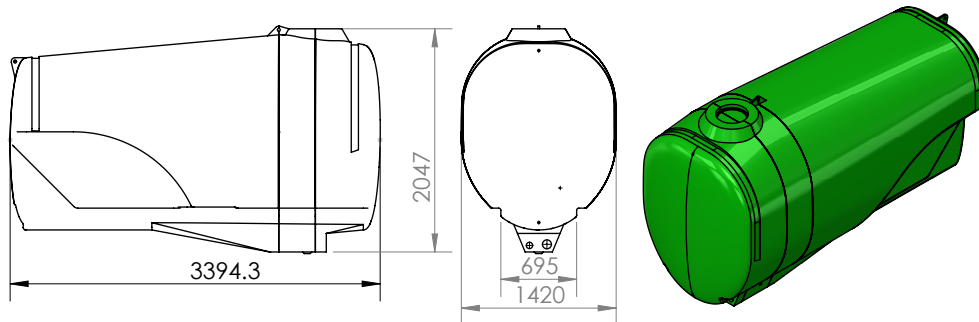
NOTE - replace with 5000L tank GA4948985



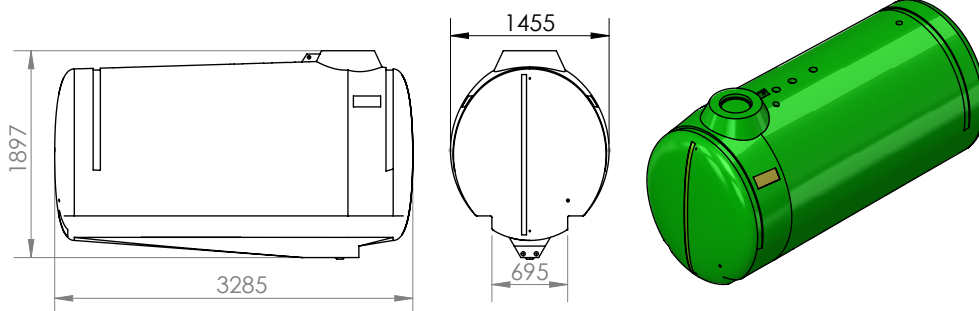
GA5018369 - Tank, 4500 litre short Bare
 GA4904120 - Tank, 4500 Litre, With Lid, Strainer, Straps, Sight Tube
 LID REF - **J**



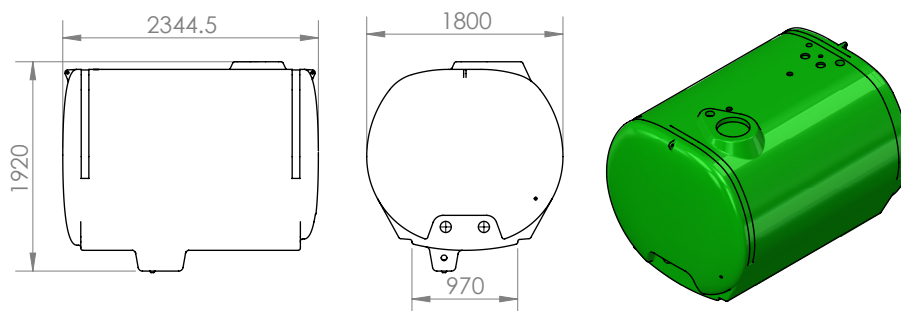
GA4662280 - Tank, 5000 Litre suit super cruiser, bare
LID REF - **J**



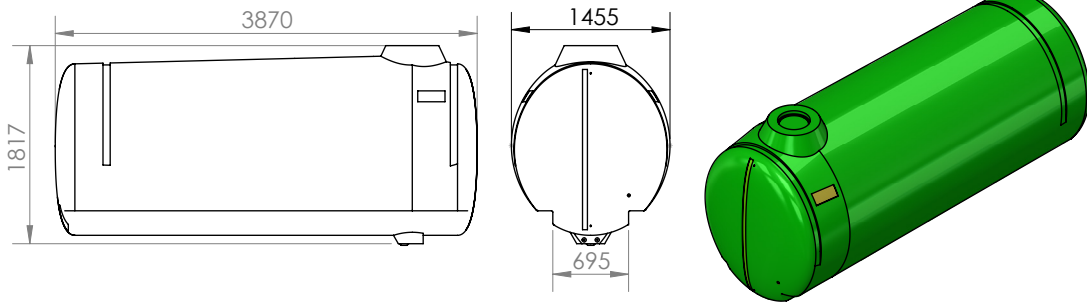
GA5070030 - Tank, 5000 Litre, Prairie Advance EF, Bare.
LID REF - **J**



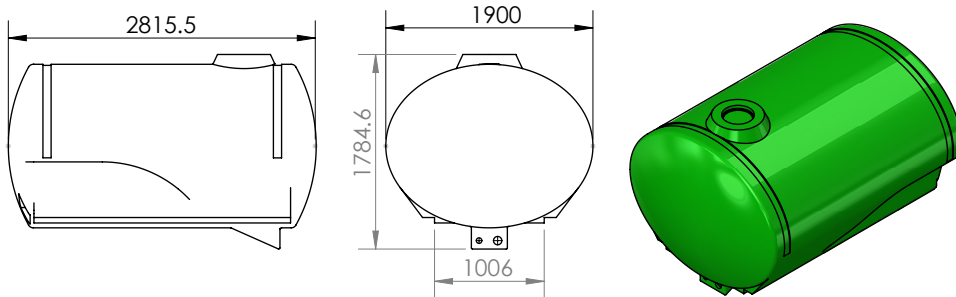
GA4948985 - Tank, 5000 litre Bare (Narrow)
GA4901263 - Tank, 5000 Litre, With Lid, Strainer, Straps, Sight Tube
LID REF - **J**



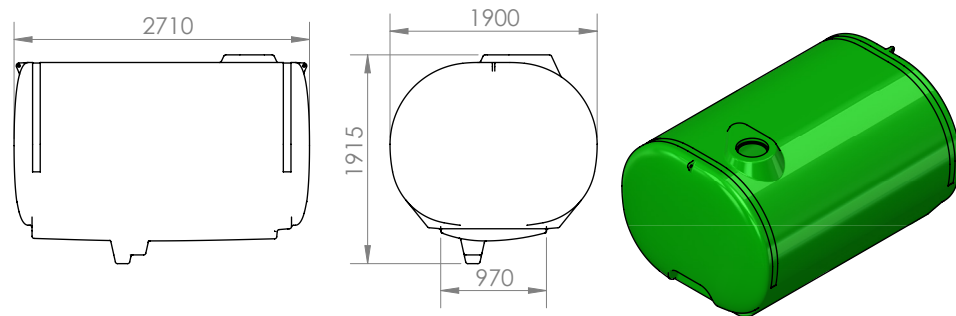
GA5069205 - Tank, 5200 Litre, Green, MY11 Crop Cruiser, Bare
GA4903323 - Spray module 5200L suit MY11 Crop Cruiser
LID REF - **H**



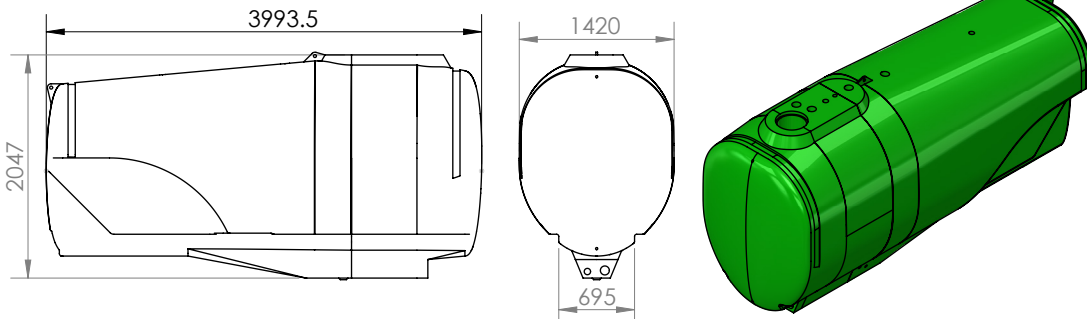
GA4901272 - Tank, 6000 litre Bare (Narrow)
 GA4901266 - Tank, 6000 Litre, With Lid, Strainer, Straps, Sight Tube
 LID REF - **J**



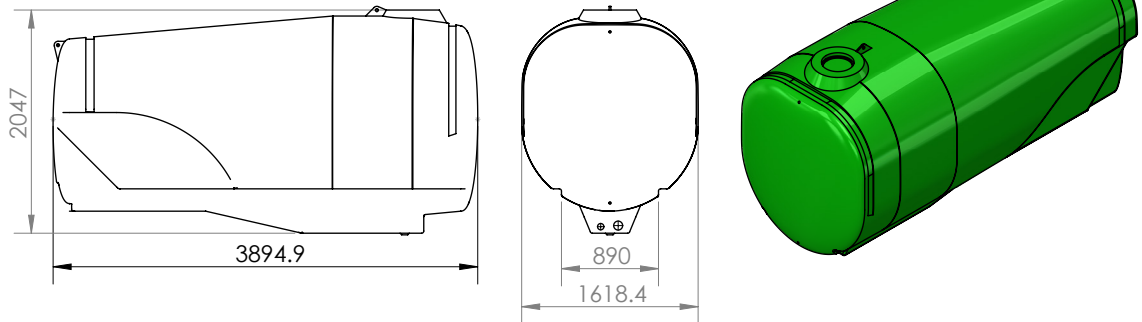
GA5018531 - Tank 6000L wide, with wheel arches, Bare
 LID REF - **J**



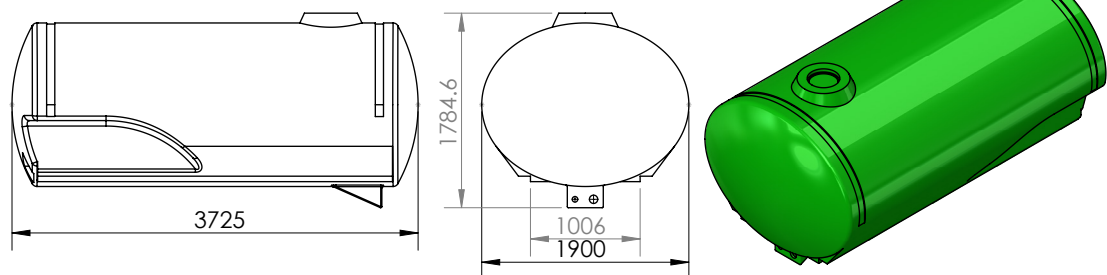
GA5070915 - Tank, 6000L, Crop Cruiser, Bare
 GA4905470 - Tank Assembly 6000L Crop Cruiser
 LID REF - **H**



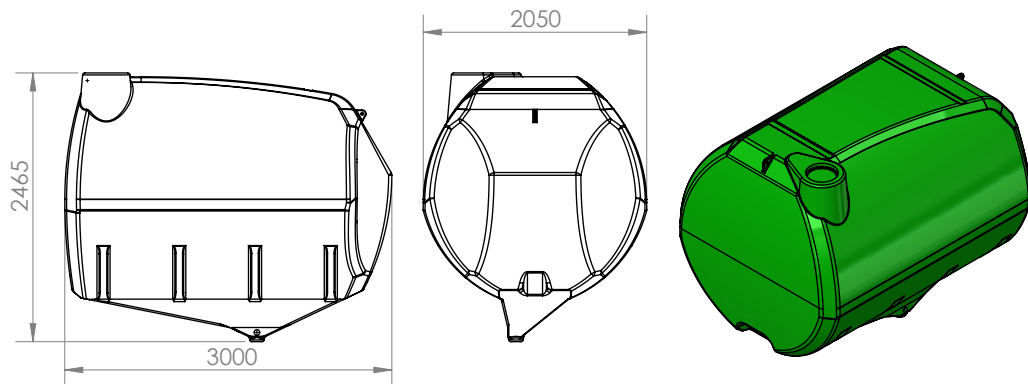
GA5070100 - Tank, 6500L, Prairie Advance EF, Bare
 LID REF - **H**



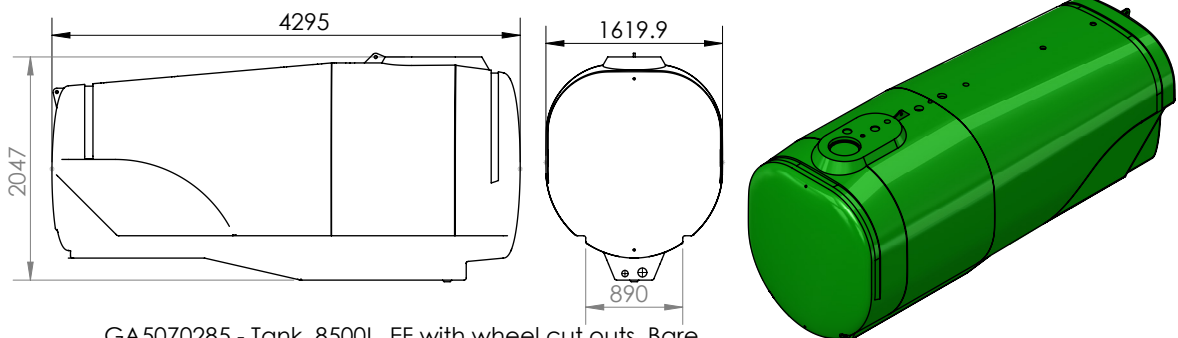
GA5070280 - Tank, 7500L, EF with wheel cut outs, Bare
 GA4904124 - Tank 7500 litre with lid, strainer, straps



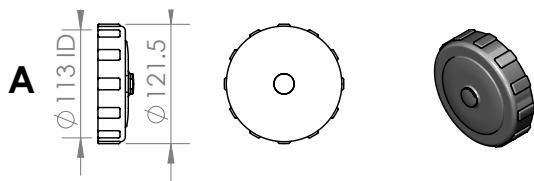
GA4901278 - Tank, 8000 litre Bare
 GA4904125 - Tank, 8000 Litre, With Lid, Strainer, Straps, Sight Tube
 LID REF - **J**



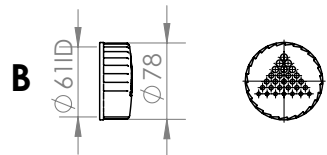
GA5071965 - Tank, 8000L, Green, Super Cruiser, G8
 LID REF - **H**



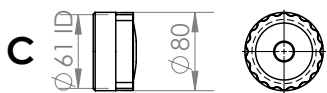
GA5070285 - Tank, 8500L, EF with wheel cut outs, Bare
 GA4904126 - Tank, 8500 Litre, With Lid, Strainer, Straps, Sight Tube
 LID REF - **H**



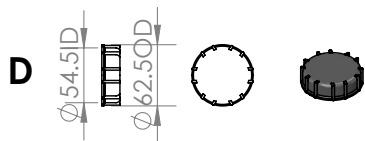
A
GA5076885
Lid, Diameter 113,
with Breather



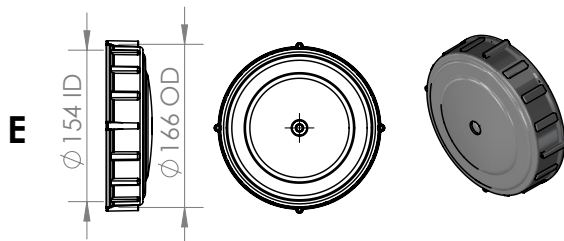
B
GA5075400
Cap, Tank, Plastic, Lid,
M65.5x8 Thread, Black,
Goldacres Logo, O-Ring Not
Included



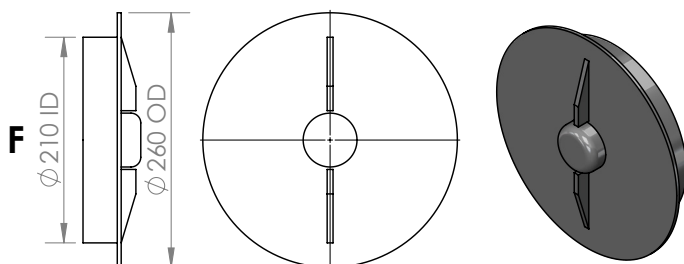
C
L055A
Cap / Lid, 80 OD, 1/2"
BSPF female thread in top,
Suit Transcal



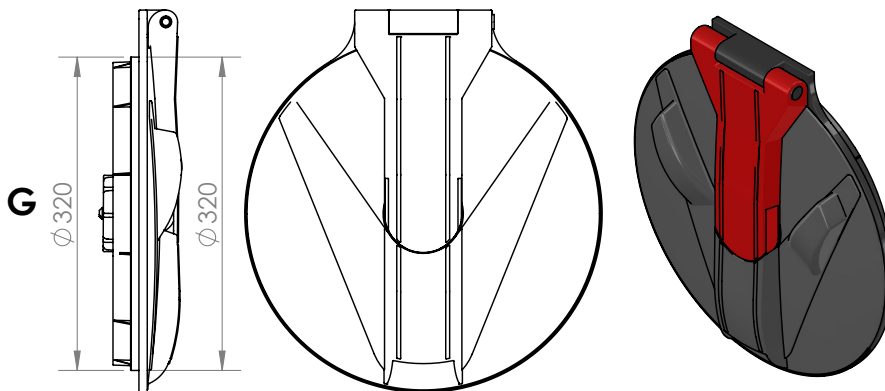
D
GA5023296
Lid, Black, Suit ATV & 23L
handwash tank



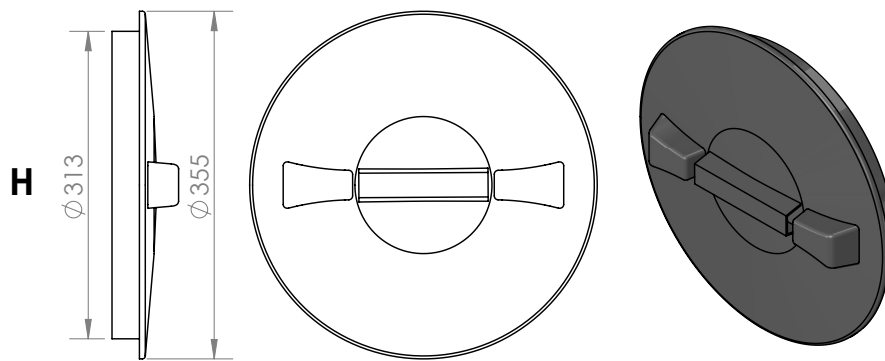
E
GA5076883
Small Lid, 6", with spring
breather



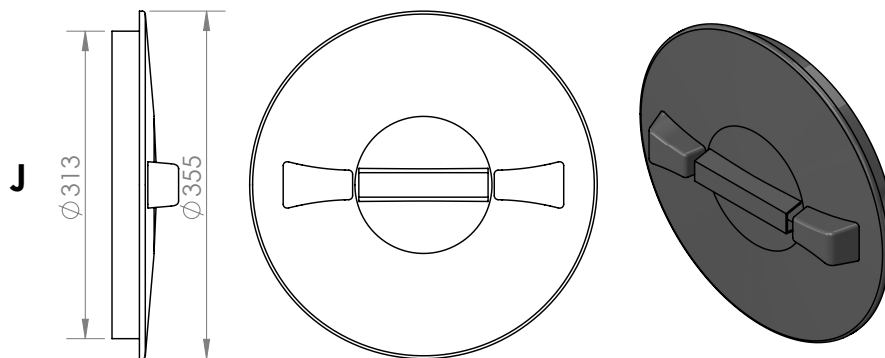
F
GA5076882
Lid, Tank, 255 diameter, With
breather



GA5078336
HINGED LID D.355,
FLAT SURFACE



GA5076880
Lid, Black, Without
breather, Medium,
Diameter 355, Arag

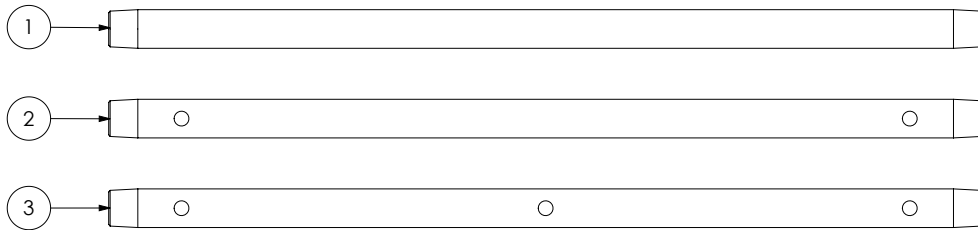


GA5076877
Lid, Black Plastic,
Diameter 355, With
breather

Chapter 8

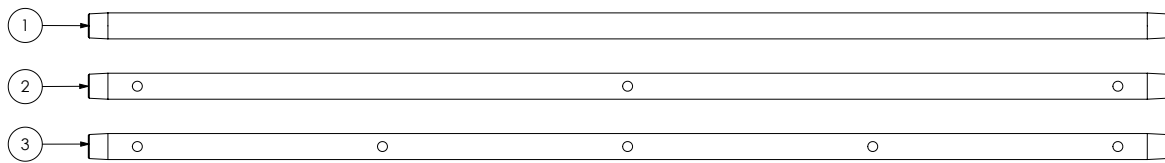
BOOM POLY

600mm Boom Poly



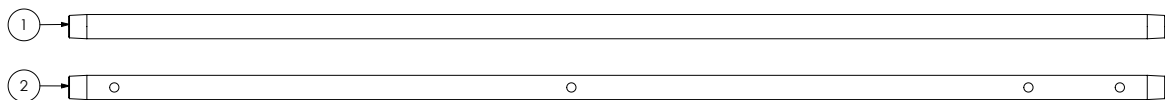
| ITEM NO. | PART NUMBER | DESCRIPTION |
|----------|-------------|---|
| 1 | GA5018287 | Boom line, Poly, 3/4", 600 long, No holes |
| 2 | GA2000510 | Boom line, Poly, 3/4", 600 long, 2 holes, 500mm spacing |
| 3 | GA2000511 | Boom line, Poly, 3/4", 600 long, 3 holes, 250mm spacing |

1100mm Boom Poly



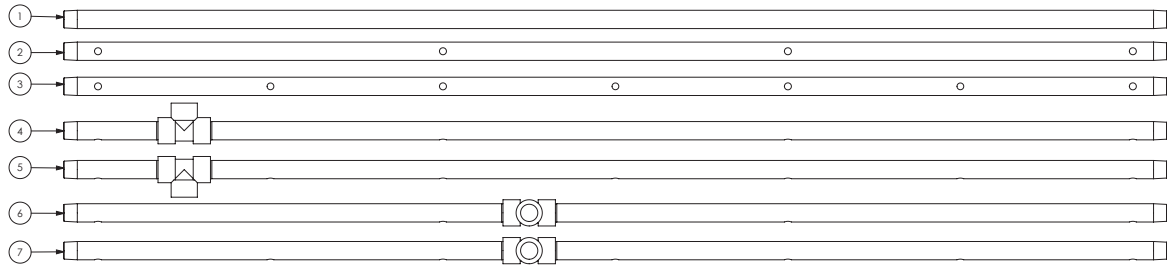
| ITEM NO. | PART NUMBER | DESCRIPTION |
|----------|-------------|--|
| 1 | GA5018269 | Boom line, Poly, 3/4", 1100 long, No holes |
| 2 | GA2000506 | Boom line, Poly, 3/4", 1100 long, 3 holes, 500mm spacing |
| 3 | GA2000507 | Boom line, Poly, 3/4", 1100 long, 5 holes, 250mm spacing |

1200mm Boom Poly



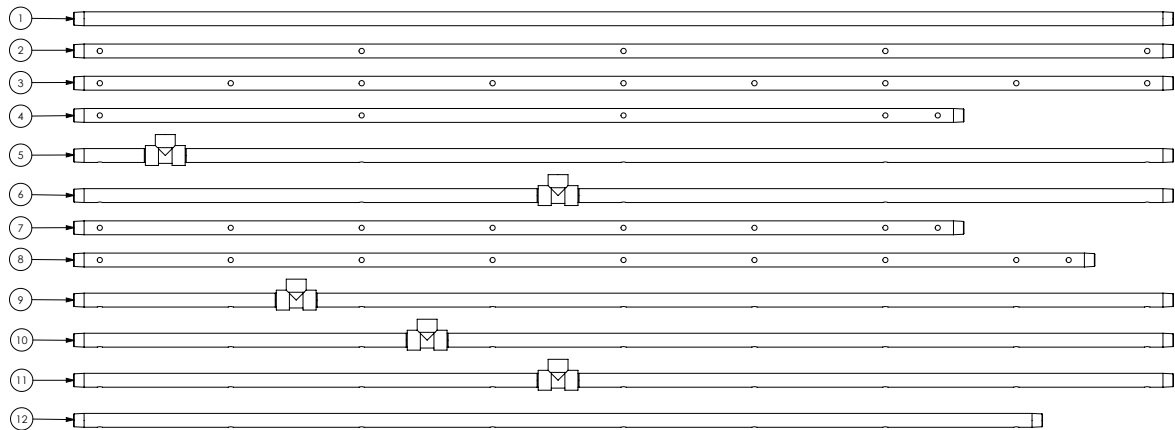
| ITEM NO. | PART NUMBER | DESCRIPTION |
|----------|-------------|---|
| 1 | GA5018271 | Boom line, Poly, 3/4", 1200 long, No holes |
| 2 | GA2000515 | Boom line, Poly, 3/4", 1200 long, 3 holes plus fenceline, 500mm spacing |

1600mm Boom Poly



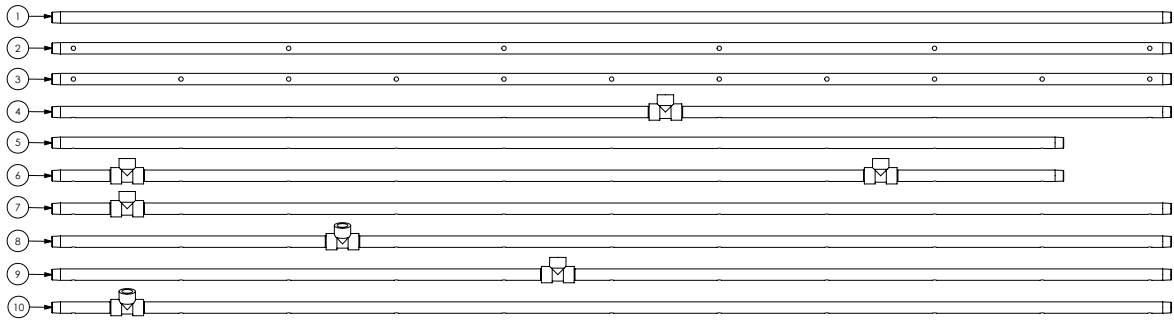
| ITEM NO. | PART NUMBER | DESCRIPTION |
|----------|-------------|---|
| 1 | GA5018273 | Boom line, Poly, 3/4", 1600 long, No holes |
| 2 | GA2000500 | Boom line, Poly, 3/4", 1600 long, 4 holes, 500mm spacing |
| 3 | GA2000501 | Boom line, Poly, 3/4", 1600 long, 7 holes, 250mm spacing |
| 4 | GA2000520 | Boom line, Poly, 3/4", 1600 long, 4 holes, 500mm spacing, Tee 175mm |
| 5 | GA2000521 | Boom line, Poly, 3/4", 1600 long, 7 holes, 250mm spacing, Tee 175mm |
| 6 | GA2000522 | Boom line, Poly, 3/4", 1600 long, 4 holes, 500mm spacing, Tee 675mm 90 Degree |
| 7 | GA2000523 | Boom line, Poly, 3/4", 1600 long, 7 holes, 250mm spacing, Tee 675mm 90 Degree |

2100mm Boom Poly



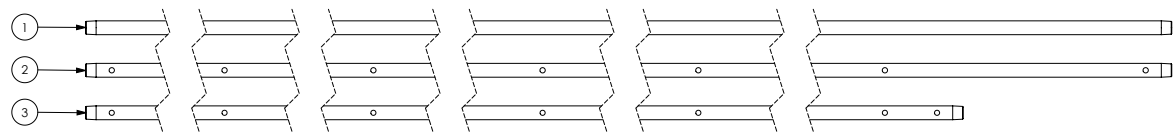
| ITEM NO. | PART NUMBER | DESCRIPTION |
|----------|-------------|--|
| 1 | GA5018275 | Boom line, Poly, 3/4, 2100 long, No holes |
| 2 | GA2000502 | Boom line, Poly, 3/4, 2100 long, 5 holes, 500mm spacing |
| 3 | GA2000503 | Boom line, Poly, 3/4, 2100 long, 9 holes, 250mm spacing |
| 4 | GA2000525 | Boom line, Poly, 3/4, 1700 long, 4 holes plus fenceline, 500mm spacing |
| 5 | GA2000526 | Boom line, Poly, 3/4, 2100 long, 5 holes, 500mm spacing, Tee 175mm |
| 6 | GA2000527 | Boom line, Poly, 3/4, 2100 long, 5 holes, 500mm spacing, Tee 925mm |
| 7 | GA2000530 | Boom line, Poly, 3/4, 1700 long, 7 holes plus fenceline, 250mm spacing |
| 8 | GA2000531 | Boom line, Poly, 3/4, 1950 long, 8 holes plus fenceline, 250mm spacing |
| 9 | GA2000532 | Boom line, Poly, 3/4, 2100 long, 9 holes, 250mm spacing, Tee 425mm |
| 10 | GA2000533 | Boom line, Poly, 3/4, 2100 long, 9 holes, 250mm spacing, Tee 675mm |
| 11 | GA2000534 | Boom line, Poly, 3/4, 2100 long, 9 holes, 250mm spacing, Tee 925mm |
| 12 | GA2000535 | Boom line, Poly, 3/4, 1850 long, 8 holes, 250mm spacing |

2600mm Boom Poly



| ITEM NO. | PART NUMBER | DESCRIPTION |
|----------|-------------|--|
| 1 | GA5018279 | Boom line, Poly, 3/4, 2600 long, No holes |
| 2 | GA2000504 | Boom line, Poly, 3/4, 2600 long, 6 holes, 500mm spacing |
| 3 | GA2000505 | Boom line, Poly, 3/4, 2600 long, 11 holes, 250mm spacing |
| 4 | GA2000540 | Boom line, Poly, 3/4, 2600 long, 6 holes, 500mm spacing, Tee 1175mm |
| 5 | GA2000541 | Boom line, Poly, 3/4, 2350 long, 10 holes, 250mm spacing |
| 6 | GA2000542 | Boom line, Poly, 3/4, 2600 long, 10 holes, 250mm spacing, Tee 175mm & 1925mm |
| 7 | GA2000543 | Boom line, Poly, 3/4, 2600 long, 11 holes, 250mm spacing, Tee 175mm |
| 8 | GA2000544 | Boom line, Poly, 3/4, 2600 long, 11 holes, 250mm spacing, Tee 675mm angled |
| 9 | GA2000545 | Boom line, Poly, 3/4, 2600 long, 11 holes, 250mm spacing, Tee 1175mm |
| 10 | GA2000546 | Boom line, Poly, 3/4, 2600 long, 11 holes, 250mm spacing, Tee 175mm angled |

3100mm Boom Poly

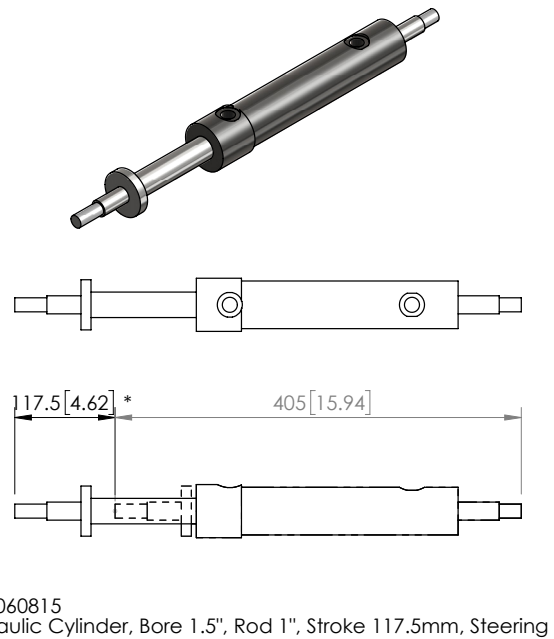
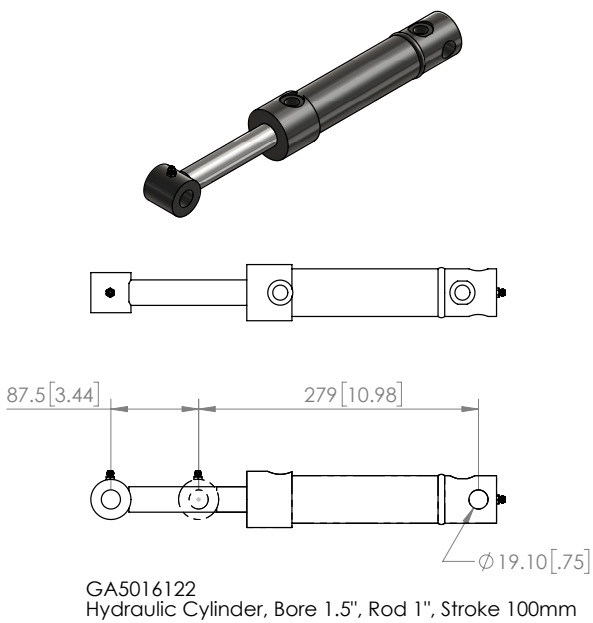
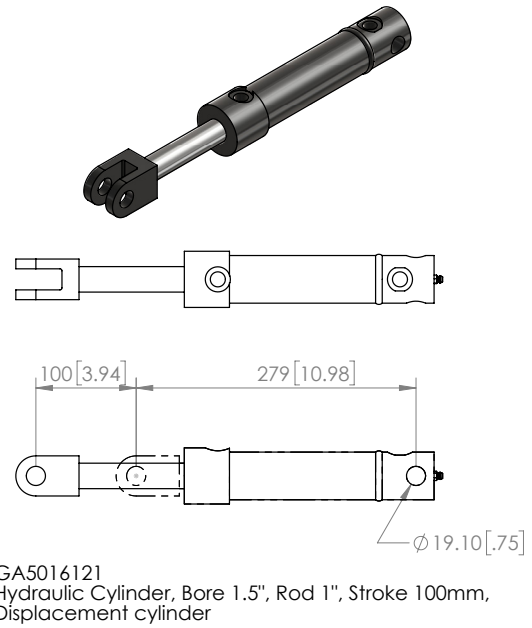
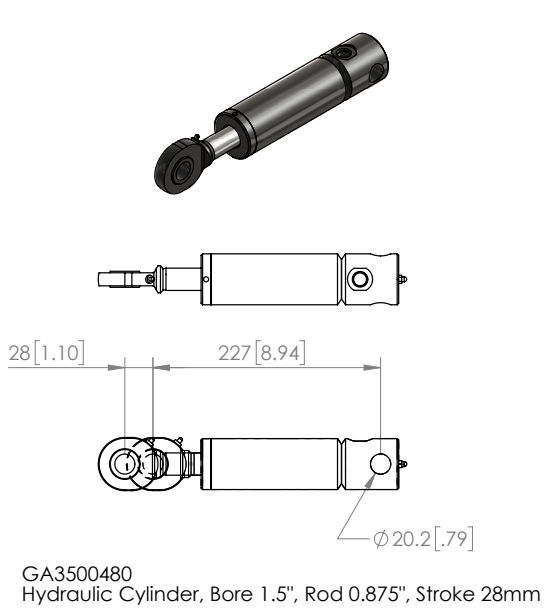


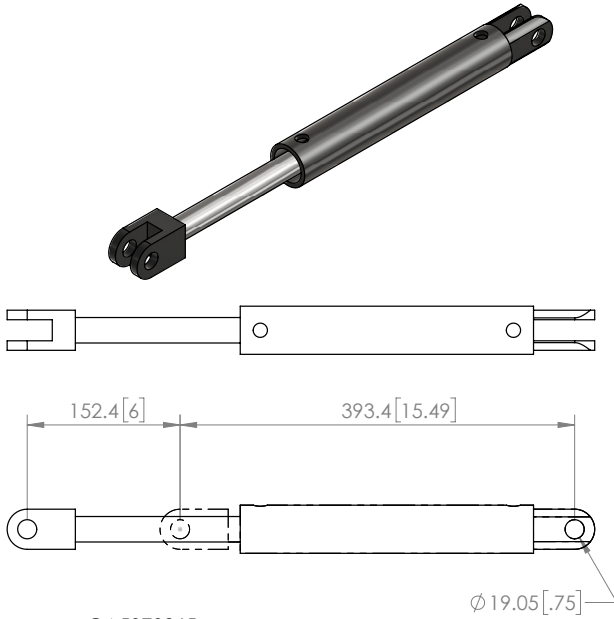
| ITEM NO. | PART NUMBER | DESCRIPTION |
|----------|-------------|--|
| 1 | GA5018281 | Boom line, Poly, 3/4, 3100 long, No holes |
| 2 | GA2000508 | Boom line, Poly, 3/4, 3100 long, 7 holes, 500mm spacing |
| 3 | GA2000550 | Boom line, Poly, 3/4, 2700 long, 6 holes plus fenceline, 500mm spacing |

Chapter 9

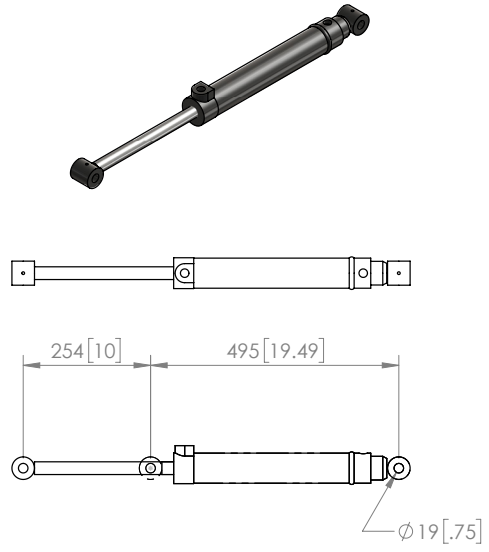
HYDRAULIC CYLINDERS

All dimensions shown are in millimeters (mm)

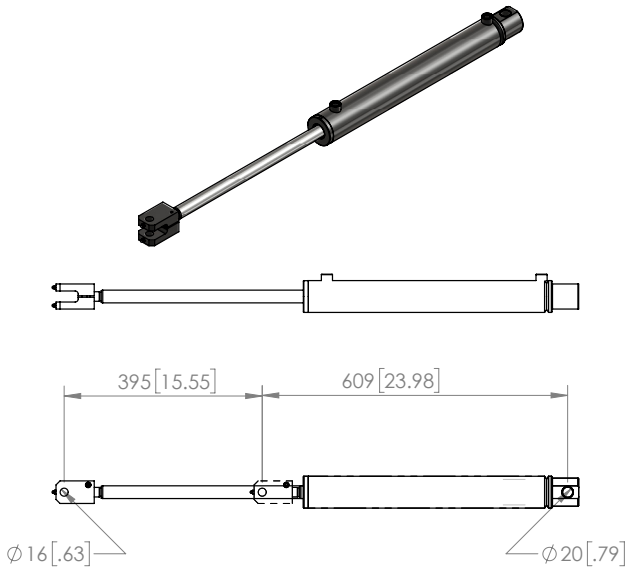




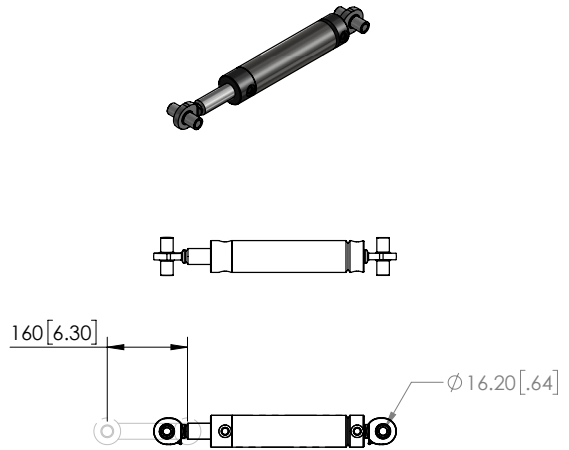
GA5070265
Hydraulic Cylinder, Bore 1.5", Rod 1", Stroke 6"



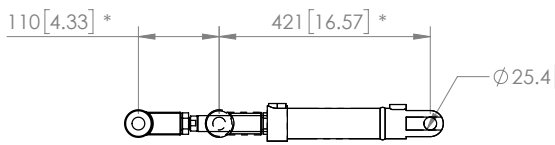
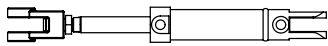
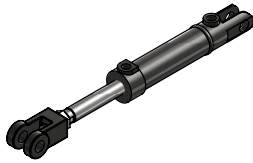
GA5021010
Hydraulic Cylinder, Bore 2", Rod 1", Stroke 10"



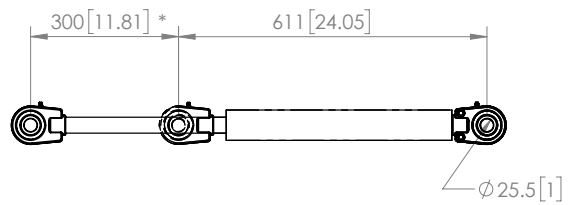
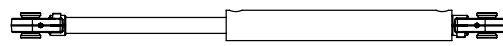
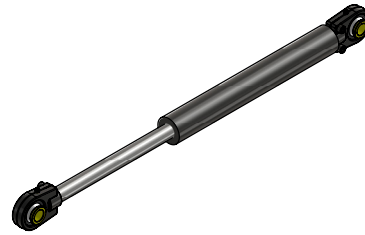
GA3500476
Hydraulic Cylinder, Bore 2", Rod 1", Stroke 395mm



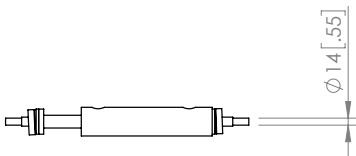
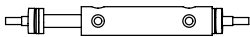
GA3500080
Hydraulic Cylinder, Bore 2", Rod 1.25", Stroke 160mm



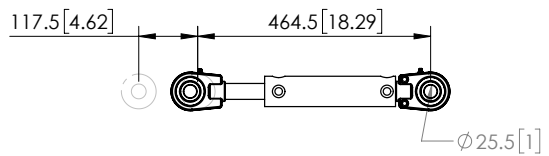
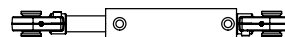
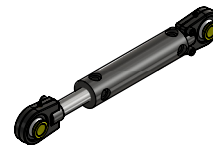
GA3500162
Hydraulic Cylinder, Bore 2", Rod 1.25", Stroke 110mm



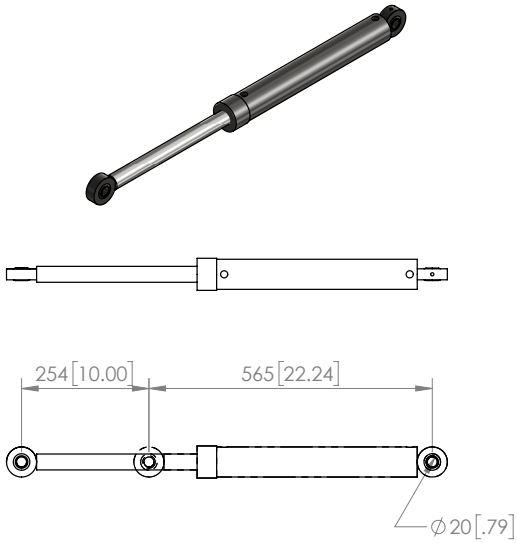
GA3500163
Hydraulic Cylinder, Bore 2", Rod 1.25", Stroke 300mm



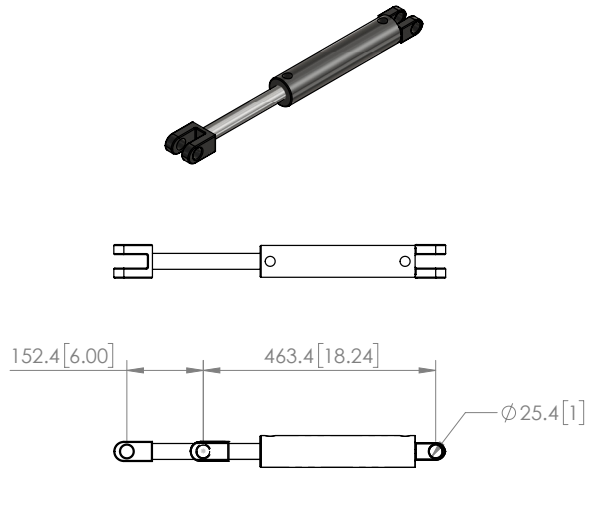
GA5060816
Hydraulic Cylinder, Bore 2", Rod 1.25", Stroke 117.5mm



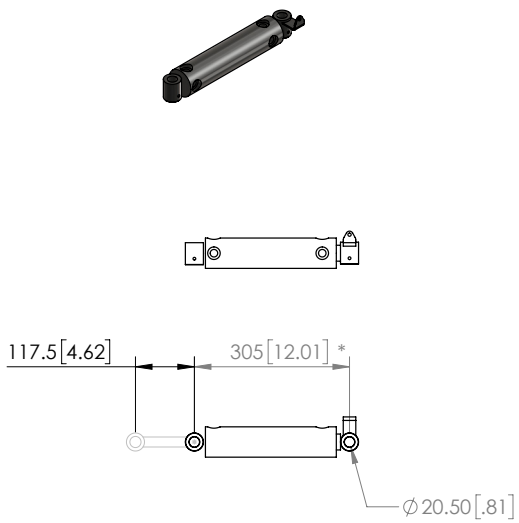
GA5060817
Hydraulic Cylinder, Bore 2", Rod 1.25", Stroke 117.5mm



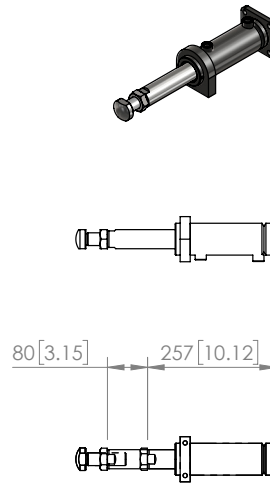
GA5065052
Hydraulic Cylinder, Bore 2", Rod 1.25", Stroke 10"



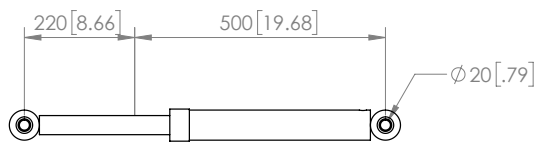
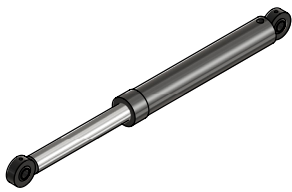
GA5069110
Hydraulic Cylinder, Bore 2", Rod 1.25", Stroke 6"



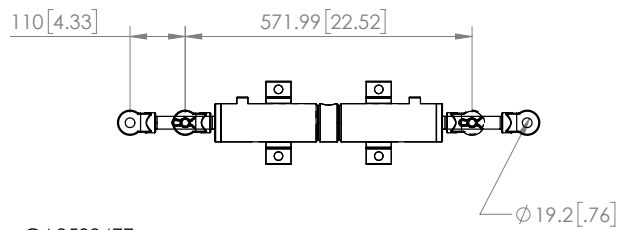
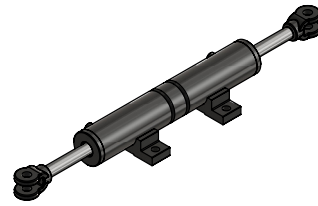
GA5070955
Hydraulic Cylinder, Bore 2", Rod 1.25", Stroke 117.5mm



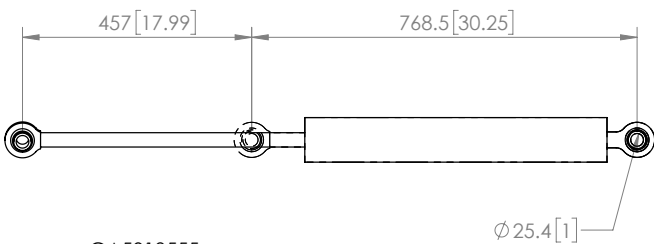
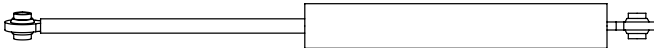
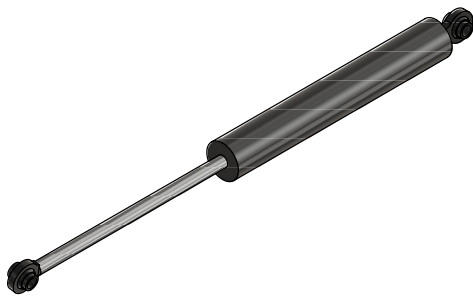
GA3500479
Hydraulic Cylinder, Bore 2", Rod 1.5", Stroke 80mm



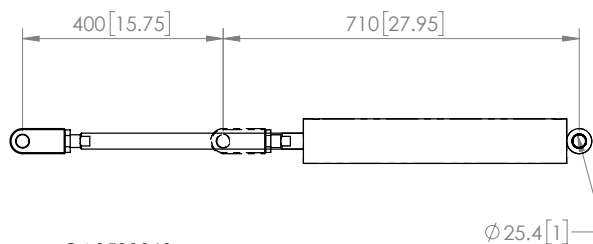
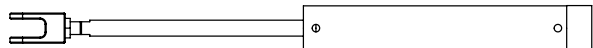
GA5051935
Hydraulic Cylinder, Bore 2", Rod 1.5", Stroke 220mm



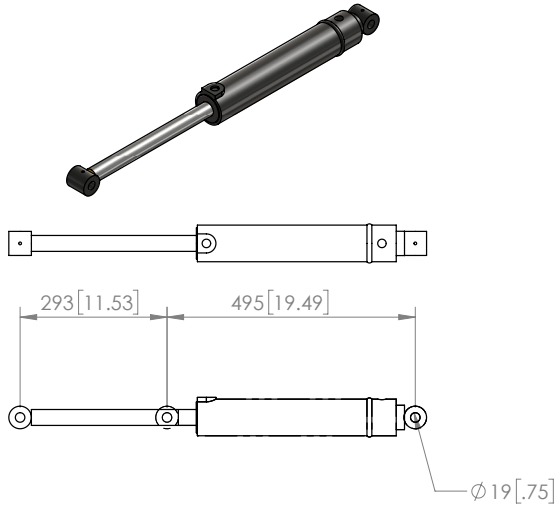
GA3500477
Hydraulic Cylinder, Bore 2.5", Rod 1", Stroke 110mm, Back to Back



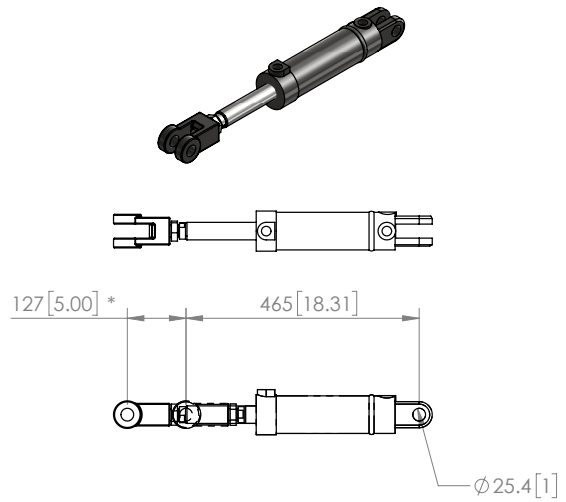
GA5018555
Hydraulic Cylinder, Bore 2.5", Rod 1.125", Stroke 18"



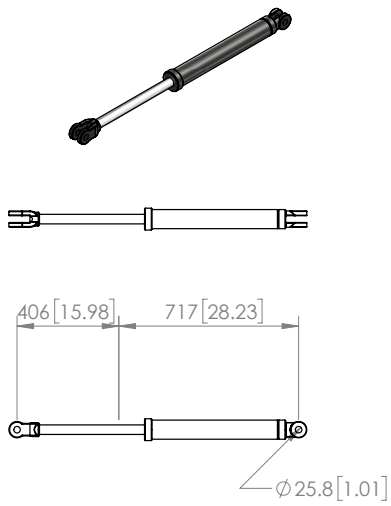
GA3500060
Hydraulic Cylinder, 2.5" bore, 1.25" rod, 400mm stroke



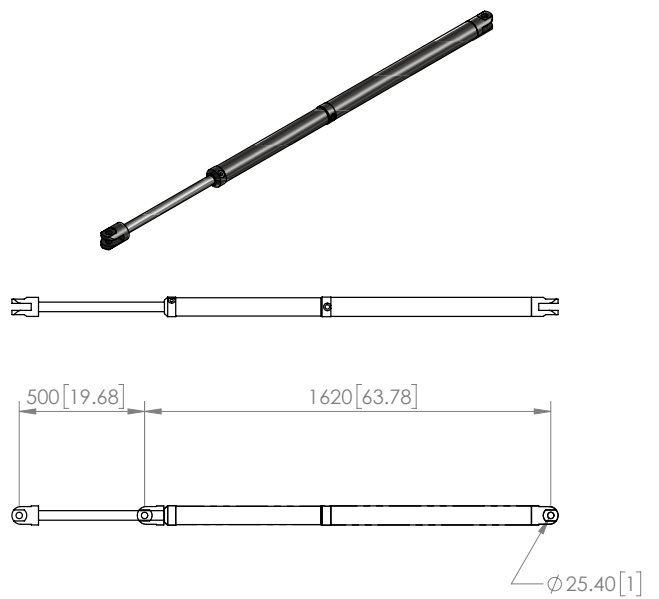
GA5070845
Hydraulic Cylinder, Bore 2.5", Rod 1.25", Stroke 293mm



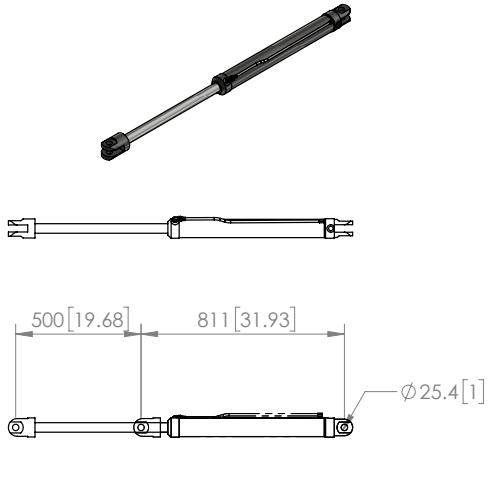
GA5065054
Hydraulic Cylinder, Bore 2.5", Rod 1.375", Stroke 5"



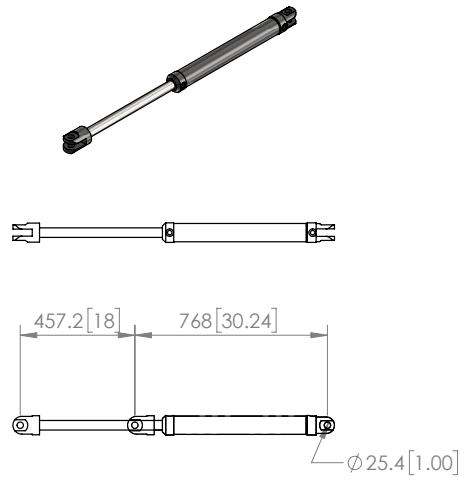
GA5045125
Hydraulic Cylinder, Bore 2.5", Rod 1.5", Stroke 16"



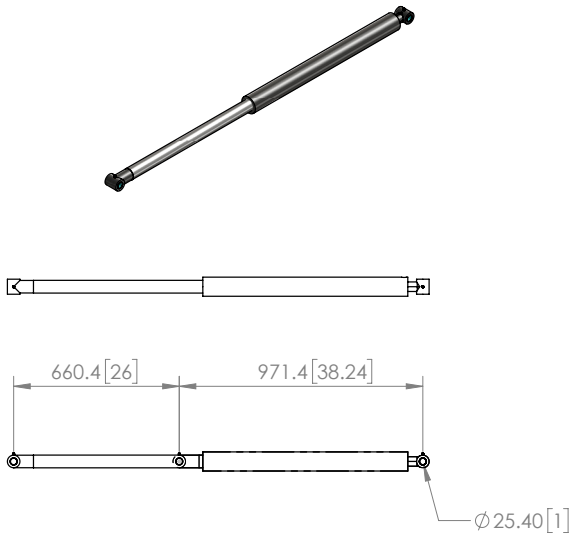
GA4657250
Hydraulic Cylinder, Bore 2.5", Rod 1.5", Stroke 500mm



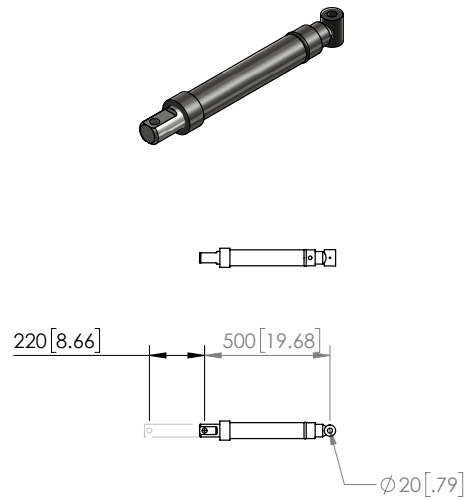
GA5070240
Hydraulic Cylinder, Bore 2.5", Rod 1.5", Stroke 500mm



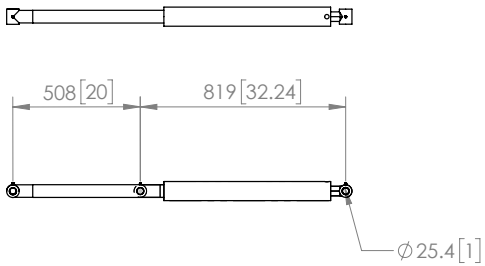
GA5047470
Hydraulic Cylinder, Bore 2.5", Rod 1.5", Stroke 18"



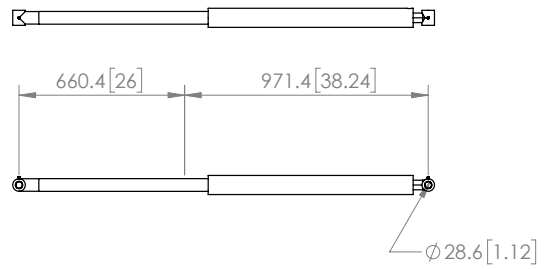
GA3500006
Hydraulic Cylinder, Bore 2.5", Rod 2", Stroke 25"



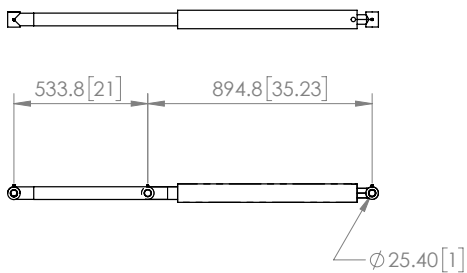
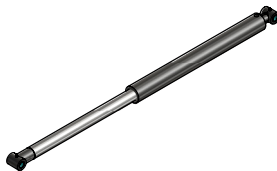
GA5066800
Hydraulic Cylinder, Bore 2.5", Rod 2", Stroke 220mm



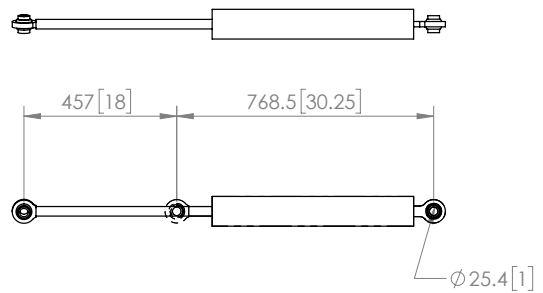
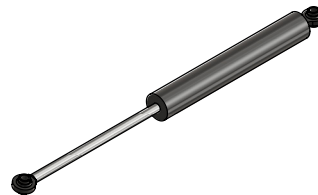
GA5070075
Hydraulic Cylinder, Bore 2.5", Rod 2", Stroke 20",
Displacement cylinder



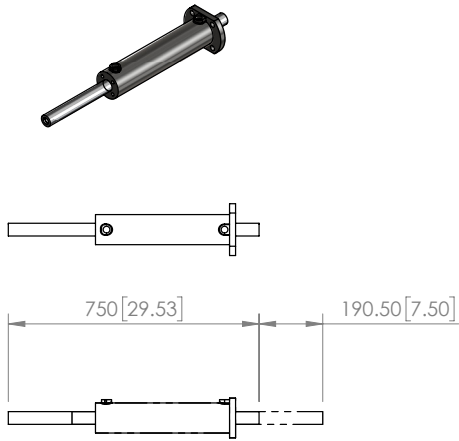
GA5070076
Hydraulic Cylinder, Bore 2.5", Rod 2", Stroke 26"



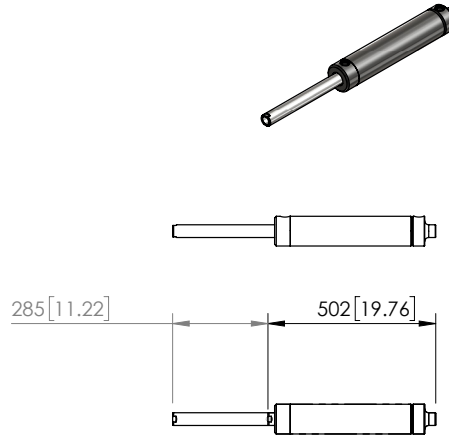
GA5070082
Hydraulic Cylinder, Bore 2.5", Rod 2", Stroke 21"



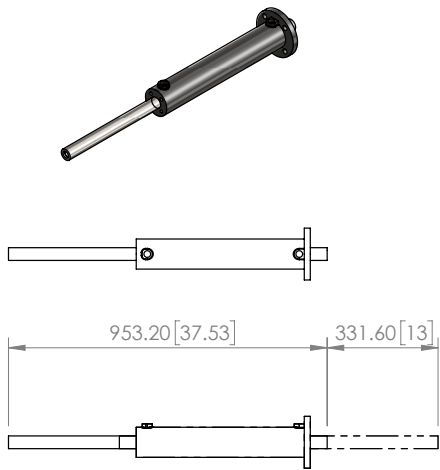
GA5018557
Hydraulic Cylinder, Bore 2.75", Rod 1.125", Stroke 18"



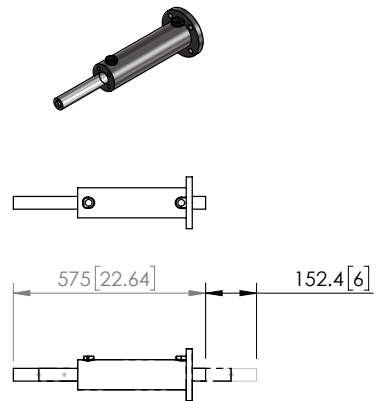
GA5066586
Hydraulic Cylinder, Bore 3", Rod 1.5", Stroke 7.5", Steering



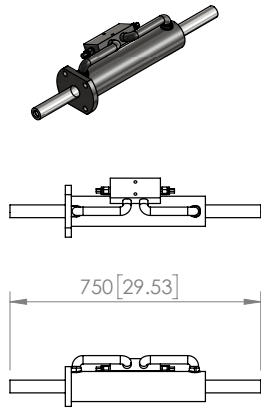
GA3500081
Hydraulic Cylinder, Bore 3", Rod 1.5", Stroke 285mm, Steering



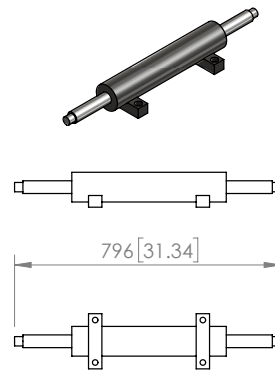
GA5066587
Hydraulic Cylinder, Bore 3", Rod 1.5", Stroke 331.6mm, Steering



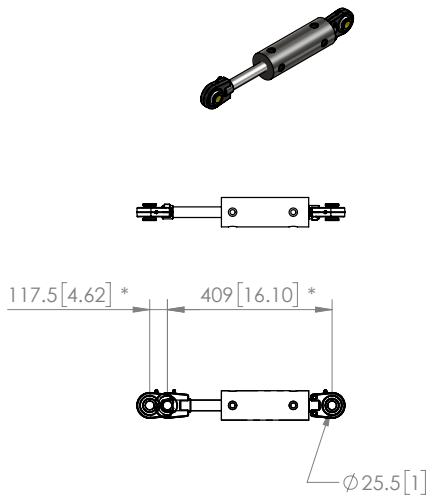
GA5066588
Hydraulic Cylinder, Bore 3", Rod 1.5", Stroke 6", Steering



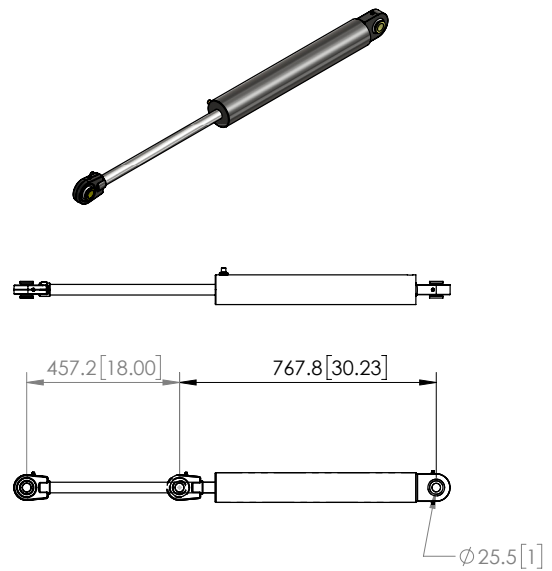
GA5066585
Hydraulic Cylinder, Bore 3", Rod 1.5", Stroke 214mm, Steering



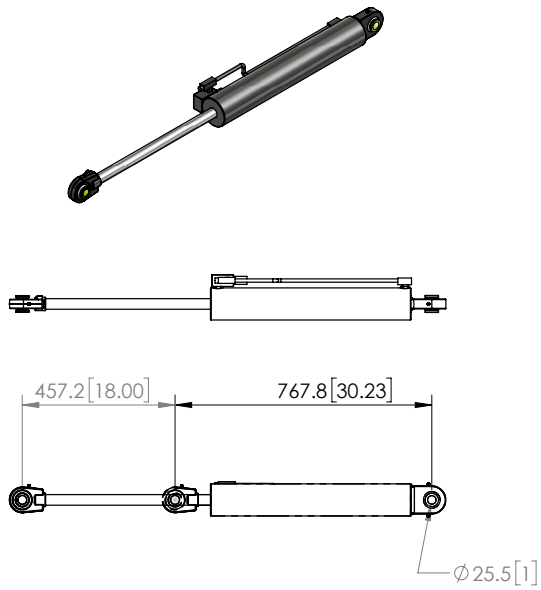
GA5018573
Hydraulic Cylinder, Bore 3", Rod 1.5", Stroke 10", Steering



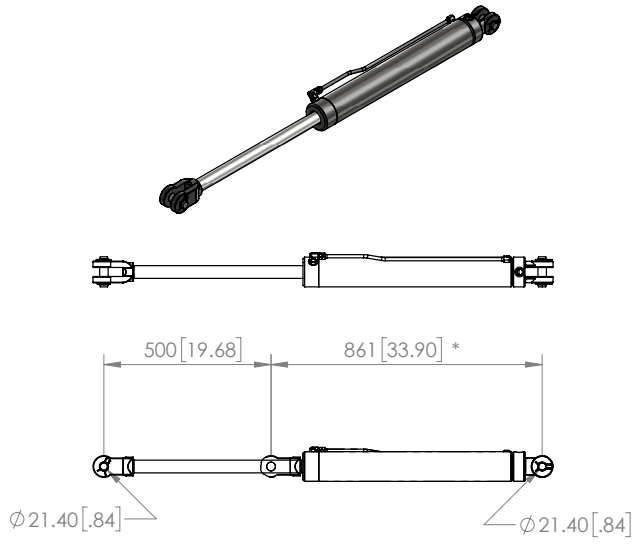
GA5060818
Hydraulic Cylinder, Bore 3", Rod 1.25", Stroke 117.5mm



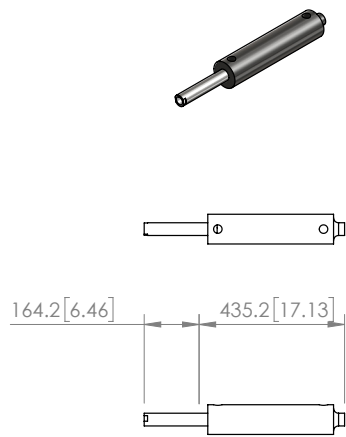
GA5018538
Hydraulic Cylinder, Bore 3", Rod 1.25", Stroke 18"



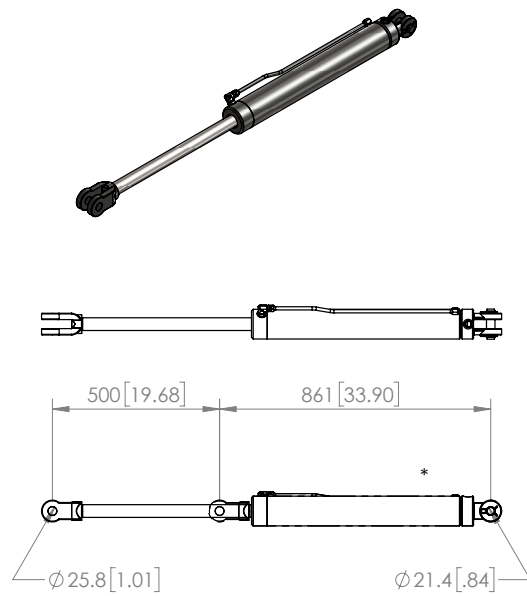
GA5018540
Hydraulic Cylinder, Bore 3", Rod 1.25", Stroke 18"



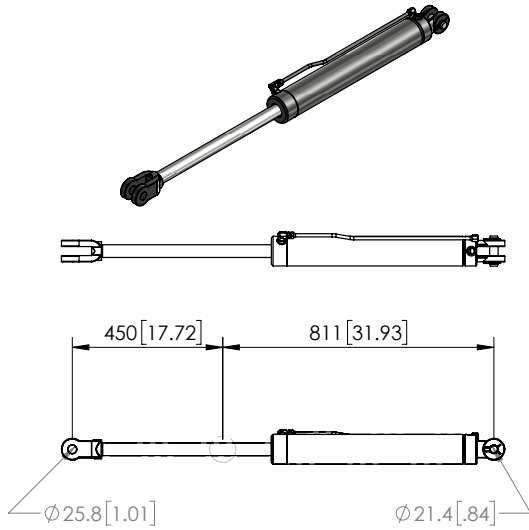
GA3500063
Hydraulic Cylinder, Bore 3", Rod 1.5", Stroke 500mm



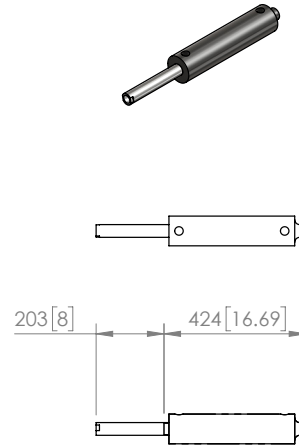
GA3500062
Hydraulic Cylinder, Bore 3", Rod 1.5", Stroke 164.2mm, Phasing



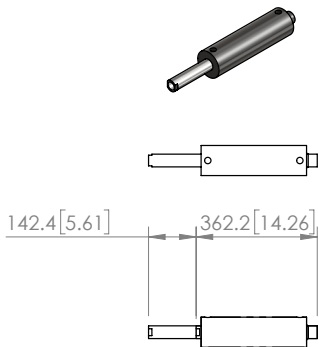
GA3500108
Hydraulic Cylinder, Bore 3", Rod 1.5", Stroke 500mm



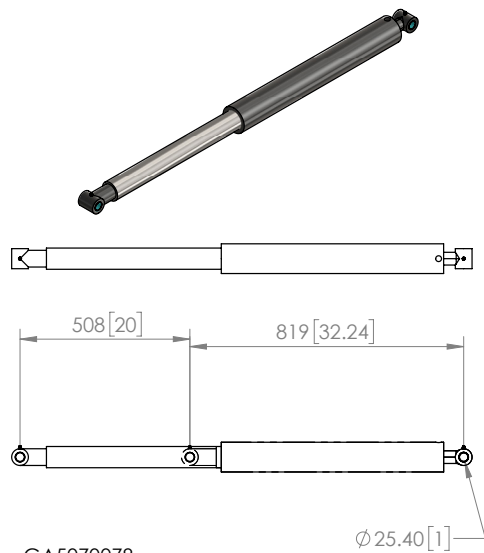
GA3500061
Hydraulic Cylinder, Bore 3", Rod 1.5", Stroke 450mm
One off cylinder used on SN201481



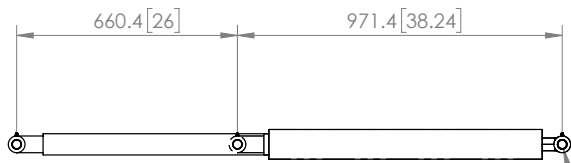
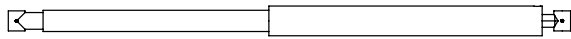
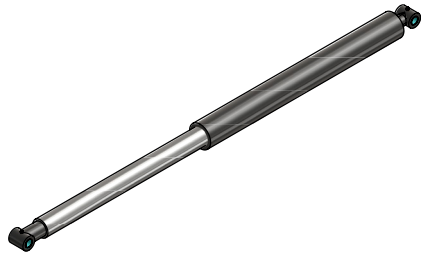
GA5060750
Hydraulic Cylinder, Bore 3", Rod 1.5", Stroke 8"



GA5070235
Hydraulic Cylinder, Bore 3", Rod 1.5", Stroke 142.4mm

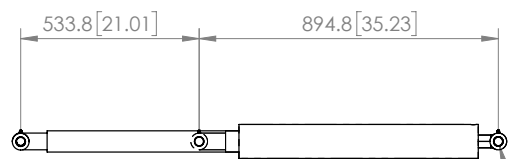
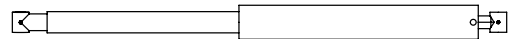


GA5070078
Hydraulic Cylinder - 3.0" bore, 2.5" rod, 20" stroke



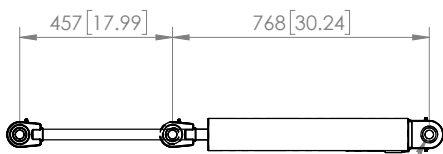
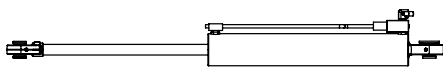
Ø 25.40 [1]

GA5070081
Hydraulic Cylinder, Bore 3.000", Rod 2.500", Stroke 26"



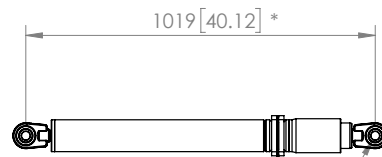
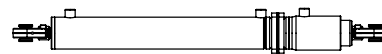
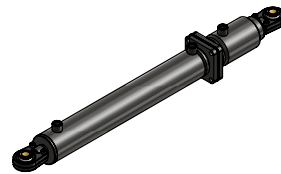
Ø 25.40 [1]

GA5070079
Hydraulic Cylinder, Bore 3", Rod 2.5", Stroke 21"



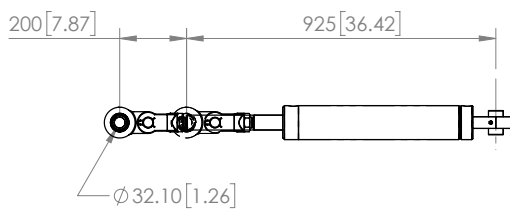
Ø 25.50 [1.00]

GA5018542
Hydraulic Cylinder, Bore 3.25", Rod 1.25", Stroke 18",
External phasing

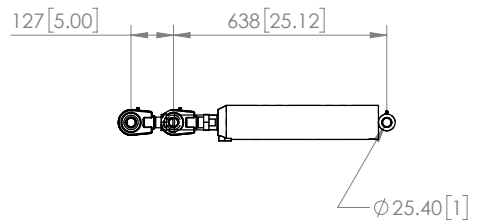
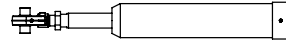
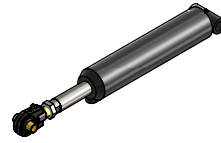


Ø 25.50 [1.00]

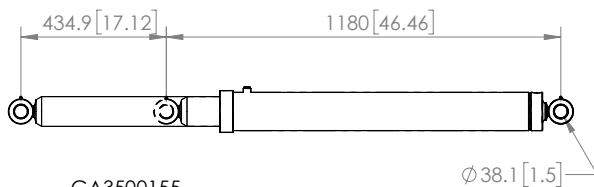
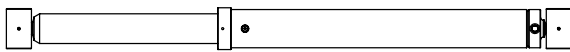
GA3500475
Hydraulic Cylinder, Bore 3.25", Rod 1.25",
Stroke 530mm and 26mm, Back to Back



GA3500478
Hydraulic Cylinder, Bore 3.500", Rod 1.75", Stroke 200mm



GA5065051
Hydraulic Cylinder, Bore 3.5", Rod 1.75", Stroke 5"



GA3500155
Hydraulic Cylinder, Bore 4", Rod 3.5", Stroke 435mm

Chapter 10

PUMPS

Diaphragm Pumps



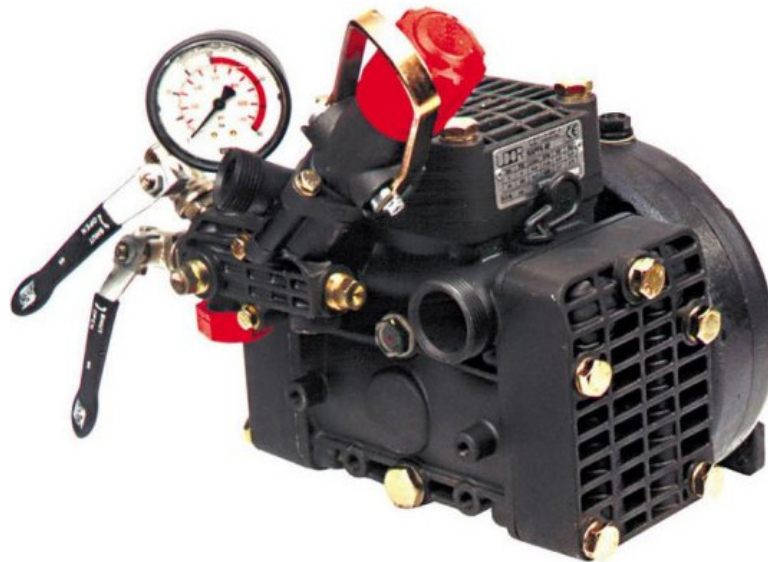
| PART NUMBER | DESCRIPTION |
|-------------|--|
| GA5077764 | Pump, Diaphragm, IOTA 17, Shaft Drive with control valve, Udor |
| GA5077765 | Pump, Diaphragm, IOTA 20, Shaft Drive with control valve, Udor |



| PART NUMBER | DESCRIPTION |
|-------------|-------------------|
| GA5024095 | Pump, Kappa 32 GR |



| PART NUMBER | DESCRIPTION |
|-------------|------------------------------|
| GA507776 | Kappa 33 GR Pump, Kappa 33GR |



| PART NUMBER | DESCRIPTION |
|-------------|-------------------------|
| GA507771 | Kappa 40 VA Pump, KAP40 |



| PART NUMBER | DESCRIPTION |
|-------------|---------------------------|
| GA507775 | Kappa 75 VA Pump, KAP75VA |



| PART NUMBER | DESCRIPTION |
|-------------|-----------------------------|
| GA507767 | Kappa 125 VA Pump, KAP125VA |



| PART NUMBER | DESCRIPTION |
|-------------|-------------------|
| GA5072285 | Pump, Delta 40 GR |
| GA5072290 | Pump, Delta 50 GR |



| PART NUMBER | DESCRIPTION |
|-------------|--|
| GA5078218 | Pump , Diaphragm type, Zeta 70 PTO shaft drive, shaft not included, ZETA701C |
| GA5024000 | Pump, Delta 75 VA |



| PART NUMBER | DESCRIPTION |
|-------------|--|
| GA5078220 | Pump, Diaphragm type, Zeta 85, PTO shaft drive, Udor, Shaft not included, ZETA851C |



| PART NUMBER | DESCRIPTION |
|-------------|---|
| GA5078214 | Pump , Diaphragm type, Zeta 100 VA, ZETA100 |



| PART NUMBER | DESCRIPTION |
|-------------|--|
| GA5054540 | Diaphragm Pump, Zeta I40, PTO drive IC, UDOR |



| PART NUMBER | DESCRIPTION |
|-------------|--|
| GA5054515 | Pump, Diaphragm type, Zeta I70 PTO shaft drive, shaft not included |



| PART NUMBER | DESCRIPTION |
|-------------|-------------------------|
| GA5054500 | Pump Zeta 260 MI-I |
| GA5054525 | Pump Zeta 300 PTO TS 2C |

12 Volt Pumps



| PART NUMBER | DESCRIPTION |
|-------------|---|
| GA5023400 | Pump, 12 Volt , 6.8lt/min Max 100 psi, Male ports, SHURflo |
| GA5023401 | Pump, 12 Volt , 6.8lt/min Max 107 psi, Female 3/8" ports, SHURflo |



| PART NUMBER | DESCRIPTION |
|-------------|---|
| GA5023405 | Pump, 12 Volt, 11.3lt/min Max 45 psi, SHURflo |



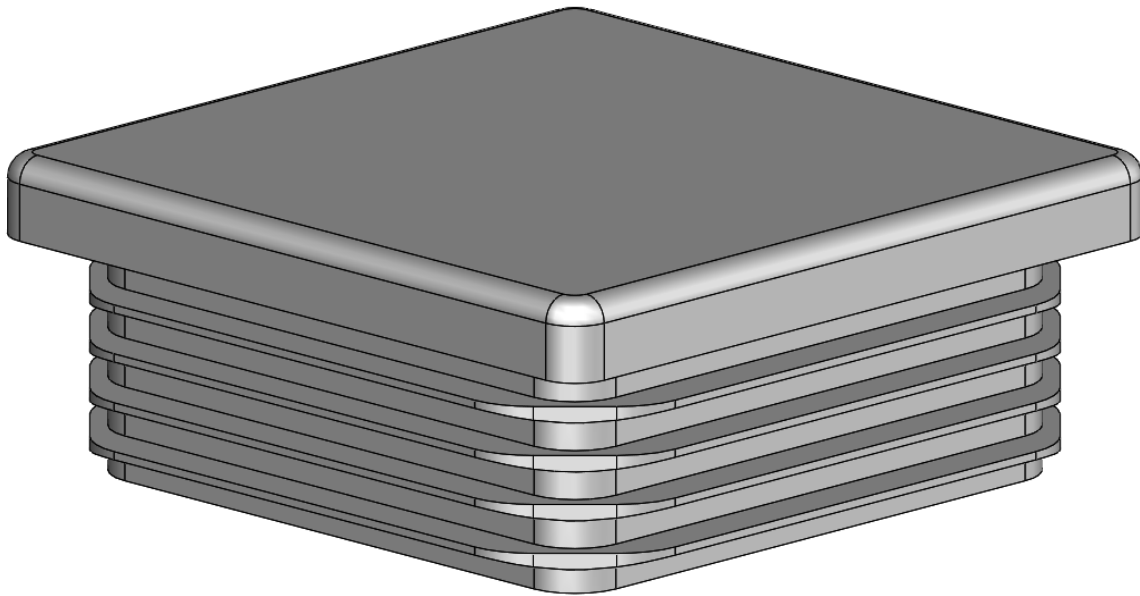
| PART NUMBER | DESCRIPTION |
|-------------|---------------------------------|
| GA5055700 | Pump, 12 volt, 3.8l/min, 40 psi |

Centrifugal Pumps



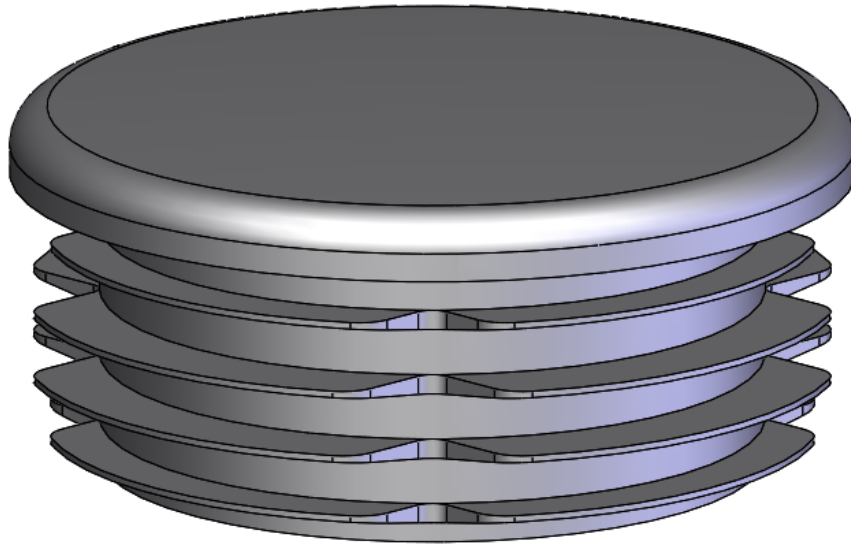
| PART NUMBER | DESCRIPTION |
|-------------|---|
| GA5076618 | 2 Poly Hydraulic Pump, Banjo, 200PHYV |
| GA5076726 | Pump, Centrifugal, Poly, 3, Hydraulic drive, Banjo, 300PHYV |

PLASTIC CAPS



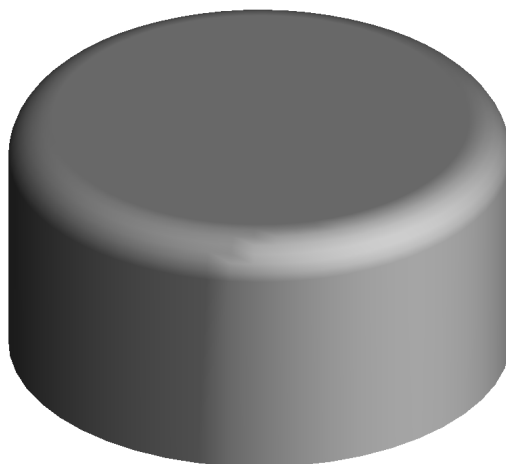
RECTANGULAR HOLLOW SECTION (RHS) CAP

| PART NUMBER | DESCRIPTION |
|-------------|---|
| GA5001101 | End cap, Plastic, Black, Insert, RHS. 19 x 19, 1.2 - 2.9mm wall |
| GA5001945 | End cap, Plastic, Black, Insert, RHS. 25 x 25, 1.0 - 3.0mm wall |
| GA5002838 | End cap, Plastic, Black, Insert, RHS. 30 x 30, 1.0 - 2.5mm wall |
| GA5002839 | End cap, Plastic, Black, Insert, RHS. 32 x 32, 1.0 - 3.5mm wall |
| GA5002911 | End cap, Plastic, Black, Insert, RHS. 35 x 35, 1.0 - 3.0mm wall |
| GA5002963 | End cap, Plastic, Black, Insert, RHS. 38 x 38, 1.0 - 3.5mm wall |
| GA5003783 | End cap, Plastic, Black, Insert, RHS. 50 x 50, 0.8 - 2.5mm wall |
| GA5024720 | End cap, Plastic, Black, Insert, RHS. 50 x 50, 2.4 - 4.0mm wall |
| GA5052345 | End cap, Plastic, Black, Insert, RHS. 75 x 75, 2.0 - 4.5mm wall |
| GA5071430 | End cap, Plastic, Black, Insert, RHS. 100 x 100, 4.0 - 6.3mm wall |
| GA5003889 | End cap, Plastic, Black, Insert, RHS. 50 x 20, 1.0 - 3.0mm wall |
| GA5003733 | End cap, Plastic, Black, Insert, RHS. 50 x 25, 0.8 - 3.0mm wall |
| GA5071885 | End cap, Plastic, Black, Insert, RHS. 75 x 50, 2.5 - 4.5mm wall |



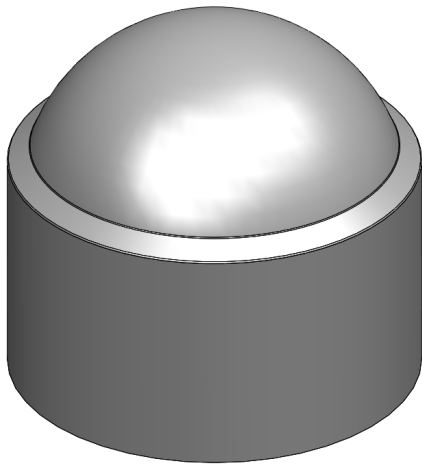
NB PIPE CAP

| PART NUMBER | DESCRIPTION |
|-------------|---|
| GA5052905 | End cap, Plastic, Black, Insert, Round. 10mm, 0.8 - 1.5mm wall |
| GA5070320 | End cap, Plastic, Black, Insert, Round. 28mm, 0.8 - 1.6mm wall |
| GA5052910 | End cap, Plastic, Black, Insert, Round. 18mm, 0.8 - 2.5mm wall |
| GA5003925 | End cap, Plastic, Black, Insert, Round. 45mm, 0.8 - 3.5mm wall |
| GA5003875 | End cap, Plastic, Black, Insert, Round. 50mm, 2.5 - 4.5mm wall |
| GA5051366 | End cap, Plastic, Black, Insert, Round. 63.5mm, 1.25 - 2.0mm wall |
| GA5050355 | End cap, Plastic, Black, Insert, Round. 76.2mm, 3.2 - 5.0mm wall |

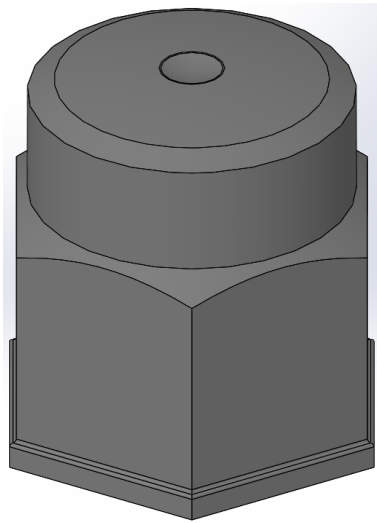


ROUND BAR COVER

| PART NUMBER | DESCRIPTION |
|-------------|---|
| GA5055860 | End cap, Vinyl, Black, Cover, Round. 50mm |
| GA5052650 | End cap, Plastic, Black, Cover, Round. 25.4mm |



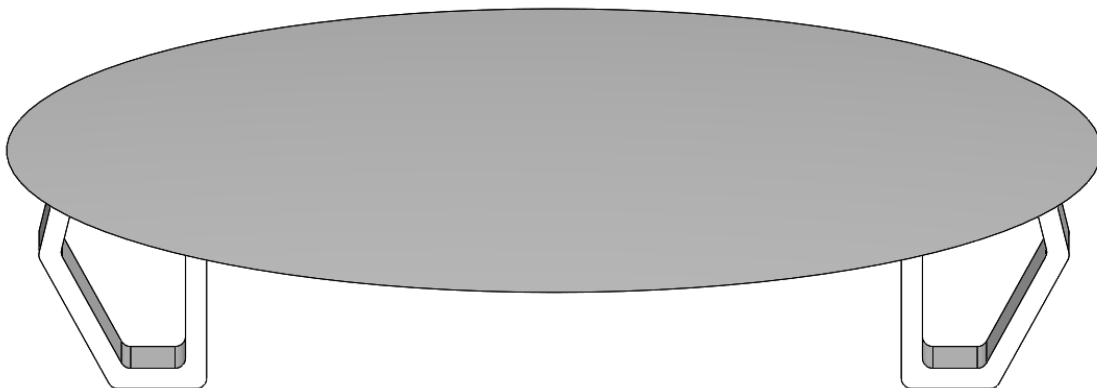
Dome



Hose End

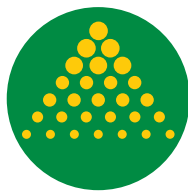
HEX COVER

| PART NUMBER | DESCRIPTION |
|-------------|--|
| GA5054670 | End cap, Plastic, Black, Cover, Hex. Hose End, M12 |
| GA5054685 | End cap, Plastic, Black, Cover, Hex. Hose End, M16 |
| GA5075080 | End cap, Plastic, Black, Cover, Hex. Dome, M16 |
| GA5054690 | End cap, Plastic, Black, Cover, Hex. Dome, M20 |
| GA5070815 | End cap, Plastic, Black, Cover, Hex. Dome, M22 |



FLAT PANEL COVER

| PART NUMBER | DESCRIPTION |
|-------------|---|
| GA5054755 | Hole Cover, Plastic, Black, Hole Dia, 35 - 38mm |



GOLDACRES

www.goldacres.com.au