

Spotmate, 100L Trailer & Traymate

Operator's & Parts Manual



General Information and Specs	3	Traymate 200 Components	14
Identification	3	Traymate Regulator Assembly	16
Dimensions	4	Spotmate 200 Components	17
Key Features	4	Spotmate 100 Components	19
Operation	5	Spotmate 100 Trailer	21
Calibration	5	Spotmate 100 Boom	22
Spray Application	6	Boomless nozzle kit, Spotmate 100L . . .	24
Agitation	6	Spotmate 50 Components	25
Flushing	6	Safety Decals	26
Storage	6	How to add a trailer and Boom or	
Maintenance & Troubleshooting	7	Boomless to a Spotmate 100	28
Telescopic Lance	7	Safety	30
AA30L Gunjet	8	The Operator	30
Adjustable Conejet Nozzle	9	Safety Precautions	30
Pump Diagrams	9	Safe use of chemicals	31
12v Shurflo Pumps	10	Personal Protective Equipment (PPE) . . .	31
Troubleshooting	10	Warranty	32
12v Shurflo 8000 Pump 6.8 l/min 107 psi .	11	Goldacres Warranty Statement	33
12v Shurflo 2088 Pump 11.3 l/min 45 psi .	12	Terms and Conditions	34
12v Shurflo 5059 Pump 20 l/min 60 psi . .	13		

Contact

Goldacres

1-3 Morang Crescent,
Mitchell Park Vic 3355

P: 03 5342 6399

F: 03 5342 6308

info@goldacres.com.au

Please note: All information in this operator's manual is based on the latest product information available at the time of printing. The policy of Goldacres is one of continuous improvement and as such, Goldacres reserve the right to alter any specifications and designs without notice and without incurring any obligation regarding such changes. No part of this manual may be reproduced without written permission from Goldacres. All photographs and technical information remain the property of Goldacres.

General Information and Specs

General

The Spotmate and Traymate sprayers are ideal for small acreage and hard to get areas. Our Spotmate and Traymate ranges feature 12 volt diaphragm pumps with pressure ranges from 290 –580 Psi.

Our Spotmate and Traymate ranges are durable with tanks that are industrial grade UV protected polyethylene. Our range can be fitted with a host of booms and other handy options to make your spraying tasks easier.

Know Your Sprayer

Getting to know your sprayer prior to operation is crucial in the safe and efficient operation of this equipment. Take the time to familiarise yourself with all the standard and optional components fitted to your sprayer, not only do you need to know where key components are located on your machine you need to become competent in the correct operation of these components prior to spraying operation.

It is also important to become familiar with common spraying methods and common spraying terms prior to using this sprayer for the first time

Chassis:

The chassis on the XL range is an all steel construction. The chassis is shot blasted, primed and then protected by the Goldacres paint process for excellent chemical resistance and durability.

Paint Colours:

Steel work: G13 Dark Green

Tank:

All tanks are constructed from UV resistant polyethylene. Polyethylene tanks have a very high chemical resistance.

Due to the rotomoulding process, there can be a variance in the overall dimensions of the tank which in turn results in variations to the tank capacity. For this reason, calibration markings should be used as a guide only.

Machine limitations:

All Goldacres equipment is subject to operating limitations, it is the operator's responsibility to ensure that this equipment

is being operated within these limitations and appropriately to the operating conditions at hand.

Custom built equipment:

Where the owner of this sprayer has requested that custom built equipment or options be fitted to this sprayer it is necessary to understand that custom fabrication and engineering is subject to many variables. Goldacres cannot fully field test all custom built options prior to despatch, and owners of new sprayers fitted with custom built equipment or options need to understand that the functionality of these items may require refining in order to operate as desired.

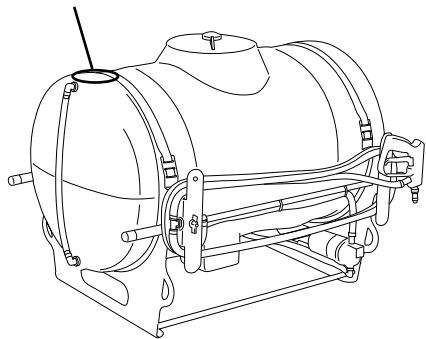
Optional equipment:

A range of optional equipment is available for fitting to Goldacres sprayers. Specific information regarding optional equipment fitted to your machine can be found in the rear of this manual.

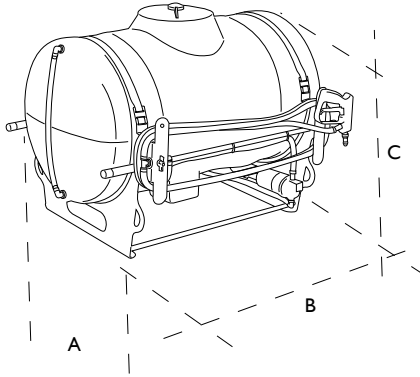
Identification

When ordering parts or requesting service information for your sprayer it is important to quote the serial number of your machine, and the purchase date, in order to receive accurate information. The location of the serial number plate on your machine is shown in the picture.

Serial number location



Dimensions



Spotmate dimensions

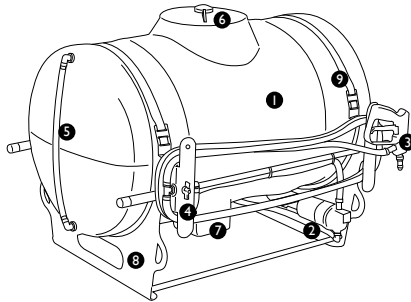
Model	A	B	C	Weight
50lt	400	660	340	7.5kg
100lt	500	750	500	12.5kg
100lt Trailer & Boom	1170	1400	700	35kg
100lt Trailer Boomless	1170	1000	700	34kg
200lt	700	1000	560	20.5kg

Traymate dimensions

Model	A	B	C	Weight
100lt	460	970	550	26kg
200lt	700	950	750	36kg
300lt	700	950	950	40kg
400lt	900	1150	900	56kg

Please note: Dimensions are approximate only and may be subject to change without notice.

Key Features



Number	Description
1	Main tank
2	Pump
3	Gunjet
4	Bypass ball valve
5	Tank level gauge
6	Tank lid
7	Main tank drain
8	Support cradle

Operation

Connections

The following steps should be followed when connecting to a power source:

1. Ensure that the battery is 12V DC
2. Connect the red connector to the positive (+) terminal and the black connector to the negative (-) terminal.

Filling

When filling the sprayer it is necessary to use an external water source and wear the appropriate PPE.

The following steps should be followed when filling the tank:

1. Turn the pump off
2. Remove the tank lid
3. Add chemical as required. When filling with water, after adding the chemical, some agitation will take place.
4. Use external water source to fill main tank (Do not exceed the tank capacity)
5. Replace the tank lid and ensure that it is secure prior to switching on pump. You are now ready to use the sprayer.

Calibration

All sprayers need to be calibrated and kept in good condition. This will ensure that the correct rate of chemical is applied to the target.

Follow these steps to calibrate the sprayer:

1. Measure the spray width of the nozzle on a dry surface (in metres)
2. Spray a test area at the intended pressure and speed. Record distance (in metres) covered in one minute (minute)
3. Measure the nozzle output in litres over one minute in a measuring jug (l/min)

The spray volume can be calculated by the following formula:

$$\text{Application rate (L/Ha)} = \frac{\text{Nozzle output (l/min)} \times 10,000}{\text{Spray width (m)} \times \text{speed (m/min)}}$$

Spray Application

After completing the filling process, you are now ready to start spraying.

NOTE: It is the responsibility of the operator to ensure that the chemical mix is sufficiently agitated and that the conditions are right to start spraying. Operators must wear the appropriate PPE.

1. Switch “On” pump
2. Allow pump to build pressure
3. Engage the trigger on the spray lance to start spraying
4. Adjust the nozzle pattern as required by rotating the nozzle in the appropriate direction as required
5. Use a consistent speed or swath pattern to ensure even coverage of the target, or adjust the method of application according to your target

Agitation

Agitation should take place when filling or through another method as deemed suitable by the operator.

Flushing

The following information is provided as a general guide for flushing your sprayer after a spray application

For more specific information regarding flushing, and decontamination, specific to the products that you are applying, it is recommended that you consult the chemical label or your chemical supplier.

1. Turn pump off
2. Drain main tank by removing drain plug
3. Add a quantity of fresh water to main tank and allow to drain through plug.
4. Replace plug and add a quantity of fresh water, and decontaminating agents if required, to main tank.
5. Turn on pump, and spray fresh water through the lance. This will ensure that fresh water has circulated through the

pump and lance.

6. Drain remaining contents of fresh water and replace tank drain plug. The sprayer is now ready for storage.

Storage

If the sprayer is to be stored for a long period of time without use, there are several tasks that need to be performed.

1. Clean the sprayer thoroughly as described under “flushing”
2. Store the sprayer out of direct sunlight and where it will not be affected by frosts
3. Ensure that the main tank is empty
4. Protect hoses and electrical connections

Maintenance & Troubleshooting

The troubleshooting information is provided as a reference when your sprayer is not

functioning correctly. To ensure that you receive the best possible service, it is recommended that you exhaust all applicable troubleshooting solutions shown prior to calling your dealer, or Goldacres, for service advice.

Problem	Possible Cause	Possible Remedy
Pump not priming	Valves damaged Restriction in suction line Restriction in delivery line Diaphragm damaged	Check, clean and/ or replace valve kit Check suction line Check delivery line Replace diaphragm
Pulsating liquid flow	Pump switching on and off due to pressure switch Pump sucking air	Alter settings of the pressure switch Alter the adjustable conejet nozzle Restricted pump delivery Check suction line
Pump pressure lower than expected	Suction filter screen blocked Restriction in suction line Valves damaged Diaphragm damaged Pump sucking air Insufficient voltage	Clean screen Check hoses, fittings and tank outlet Check/or replace valve kit Check/or replace diaphragm Check suction line Check power supply
Pump stopping and starting when not in use	Valves damaged Insufficient voltage Damaged diaphragm	Check valves Check power supply Check/or replace diaphragm

Telescopic Lance

Marolex

The telescopic Marolex lance is a lightweight spray gun designed for use with low pressure spraying systems. The lance is made of moulded polypropylene and aluminium for excellent chemical resistance and durability.

Features:

- 85-135cm telescopic lance with trigger handle and lock

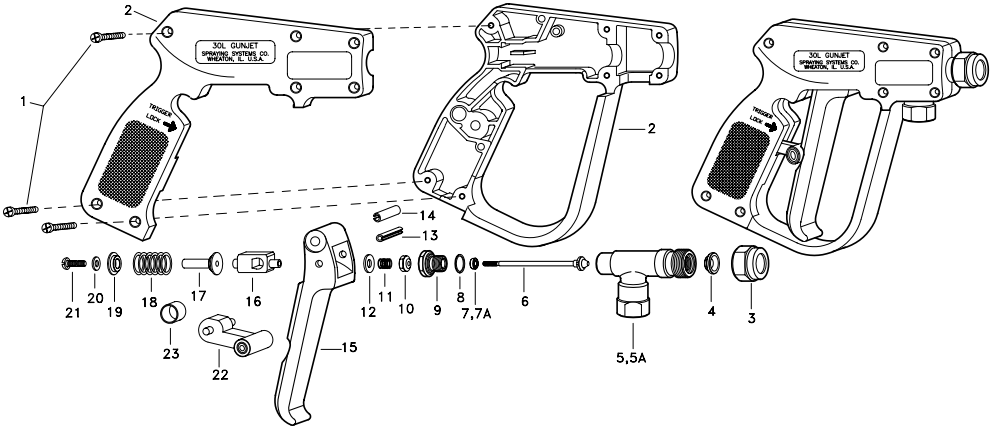


AA30L GunJet

The gunjet trigger needs to be locked via the trigger lock when not in use to prevent the gunjet from spraying inadvertently.

No. AAB30L-¼, GunJet Spray Gun (BSPT Threads)

AB30L-Kit - Spare Parts Kit (Includes all items marked with * and item 7)

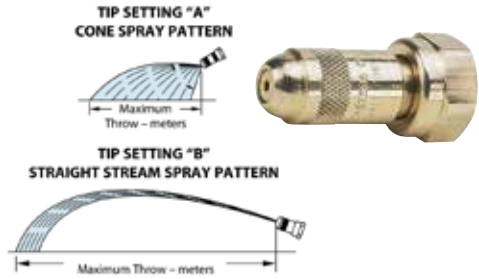


Item	Part No.	Description
1	CP17103-11/16-302SS	Screw, Type 302 Stainless Steel (7 Req'd)
2	CP19684-1-NYB	Right and Left hand Housing Set, Nylon (Black)
3	CP7890-INP	Cap, Steel, Nickel Plated
* 4	CP7490-BRTEF	Valve Seat, Brass and Teflon
5	CP22136	Inlet Body, Brass (For Model 30L-¼)
5A	CPB22136	Inlet Body, Brass (For Model B30L-¼)
* 6	CP22137-BR302S	Stem Sub-Assembly, Brass and Type 302 SS
7	CP14255-1-BU	Cup Packing, Buna-N
7A	CP14255-1-VI	Cup Packing, Viton
* 8	CP19812	Gasket, Brass
9	CP19811	Packing Screw, Brass
10	CP7484-SS	Stem Nut, SS
11	CP7489-302SS	Trigger Stop Spring, Type 302 SS
12	CP7622-302SS	#6 Burr, Type 302 SS
13	CP17720-420SS	Roll Pin, Type 420 SS
14	CP19820-420SS	Roll Pin, Type 420 SS
15	CP17703-NY	Trigger, Nylon (Yellow)
16	CP19810	Trigger Guide, Brass
17	CP19815	Spring Guide, Brass
* 18	CP22138-302SS	Spring, Type 302 SS
19	CP19816	Spring Retainer, Brass
20	CP19819-SS	Washer, Type 18-8 SS
21	CP19818-SS	Screw, Type 18-8 SS
22	CP19806-NY	Trigger Lock, Nylon (Yellow)
23	CP19805-CE	Lock Spring Ring, Celcon

Adjustable Conejet Nozzle

The adjustable brass ConeJet nozzle rotates through a half turn to provide spray selection from wide angle, finely atomized cone spray to a straight stream spray.

Tip settings “A” and “B” represent two extreme points of rotation in tip adjustment.



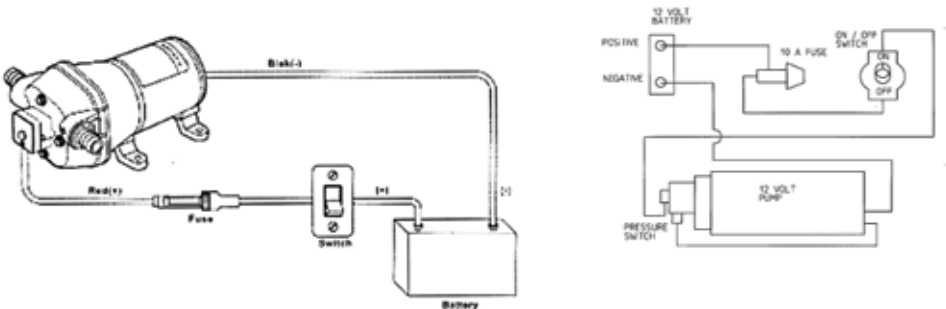
Adjustable Conjet Tip No.	Performance	Liquid Pressure (bar)							
		1.5		2		3		4	
		A	B	A	B	A	B	A	B
5500-X18	Capacity - l/min	0.79	2.61	0.98	3.18	1.14	3.67	1.40	4.54
	Spray angle °	71	-	75	-	77	-	78	-
	Max throw m	1.2	11.6	1.2	12.8	1.2	13.3	1.2	13.0
5500-X22	Capacity - l/min	0.98	3.14	1.21	3.79	1.40	4.54	1.70	5.30
	Spray angle °	71	-	75	-	78	-	79	-
	Max throw m	1.2	11.7	1.40	13.0	1.5	13.6	1.5	13.2
5500-X26	Capacity - l/min	1.17	3.71	1.4	4.54	1.63	5.30	2.01	6.43
	Spray angle °	72	-	76	-	78	-	79	-
	Max throw m	1.4	11.6	1.5	13.1	1.5	13.7	1.7	13.3

Pump Diagrams

12v Pump wiring diagram

Important: Use 14 gauge stranded wire up to 6 metres from power source and 12 gauge up to 18 metres from power source.

Connect Red to Positive (+) terminal and Black to Negative (-) terminal.



12v Shurflo Pumps

Troubleshooting

Pump Will Not Start Check:

- ✓ Fuse or breaker
- ✓ For correct voltage ($\pm 10\%$) and electrical connections
- ✓ Pressure switch operation and correct voltage at switch or motor wires (as equipped).
- ✓ Rectifier or motor for open or grounded circuit
- ✓ For locked drive assembly

Will Not Prime Check:

(No discharge/motor runs)

- ✓ Out of product
- ✓ Strainer for debris
- ✓ Inlet tubing/plumbing; severe vacuum leak
- ✓ Inlet/Outlet tube severely restricted (kinked)
- ✓ Debris in pump inlet/outlet valves
- ✓ Proper voltage with the pump operating ($\pm 10\%$)
- ✓ Pump housing for cracks

Leaks From Pump Head Or Switch:

- ✓ For loose screws at switch or pump head.
- ✓ Switch diaphragm ruptured or pinched
- ✓ For punctured diaphragm if fluid is present at bottom drain holes.

Pump Will Not Shut-Off Check:

(Pressure switch equip.)

- ✓ Output line closed and no leaks
- ✓ For air trapped in outlet line or pump head
- ✓ For correct voltage to pump ($\pm 10\%$)
- ✓ Inlet/Outlet valves for debris or swelling
- ✓ For loose drive assembly or pump head screws
- ✓ Pressure switch operation/adjustment incorrect refer to S/B #1031 for differential and pressure adjustment procedure

Noisy / Rough Operation Check:

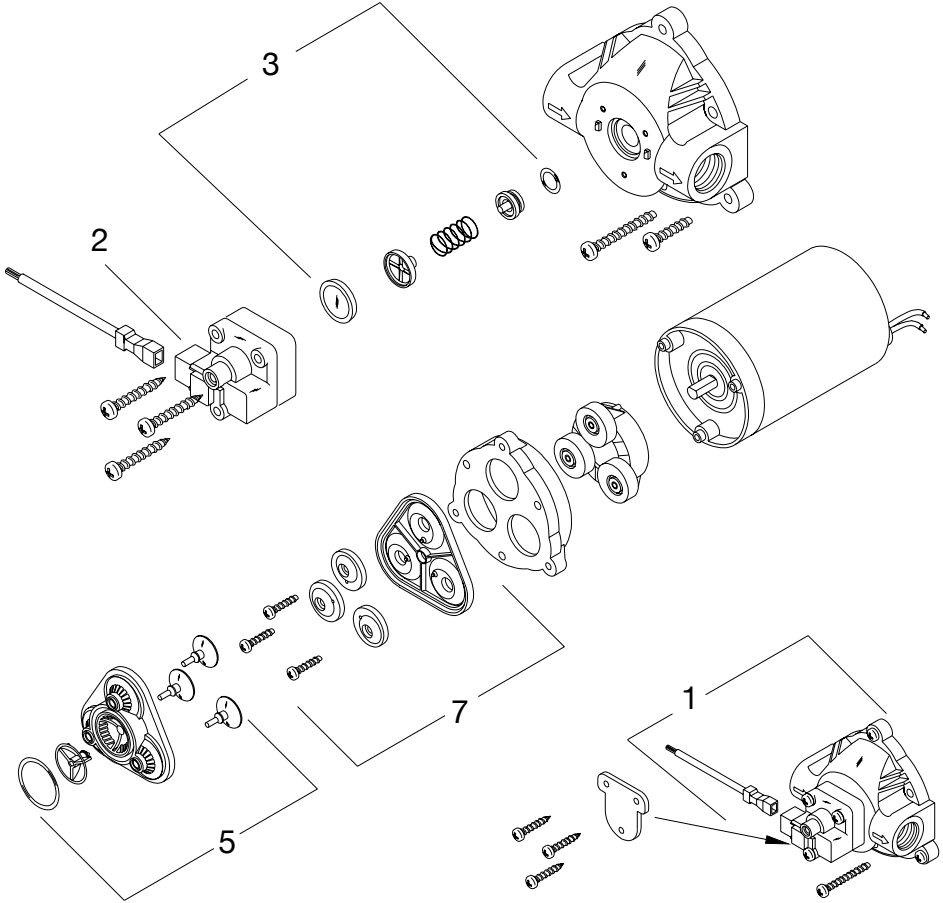
- ✓ Mounting feet that are compressed to tight
- ✓ For loose pump head or drive screws
- ✓ Does the mounting surface multiply noise (flexible)
- ✓ Is the pump plumbed with rigid pipe causing noise to transmit

12v Shurflo 8000 Pump 6.8 l/min 107 psi

Service Kits

Kits are readily available to repair standard 8000 series pumps. Repair kits include simple illustrated instructions allowing easy

installation. To insure that the correct kit is received the model number and all name plate data must be included with the order.

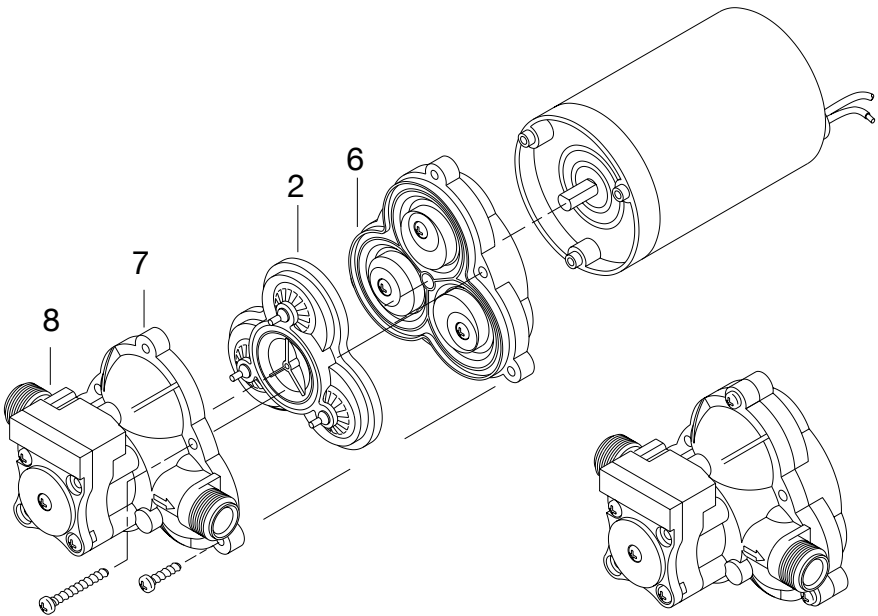


Pos	Part No	Description	Qty
1		Complete assembled pump head	1
2	GA5071545	Pressure switch assembly	1
3	GA5071560	Check valve components	1
4		Upper housing	1
5	GA5071550	Bypass valve and discharge valve assembly	1
6		Valve plate assembly	1
7	GA5071555	Diaphragm and piston components	1
8		Drive assembly	1
9		Motor assembly (less base plate)	1

12v Shurflo 2088 Pump 11.3 l/min 45 psi

Service Kits

Kits are readily available to repair standard 2088 series pumps. Repair kits include simple illustrated instructions allowing easy installation. To insure that the correct kit is received the model number and all name plate data must be included with the order.



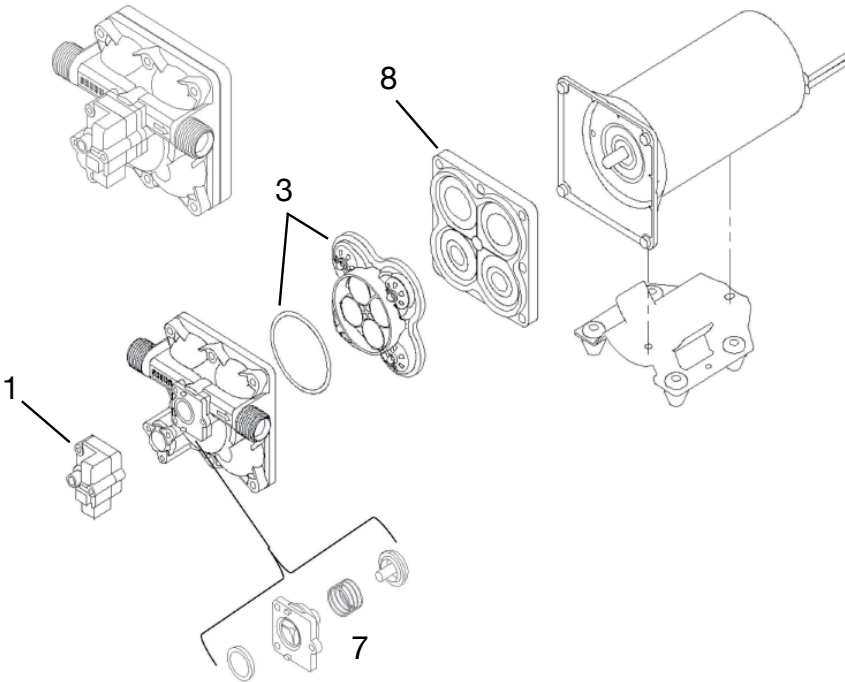
Pos	Part No	Description	Qty
1		Switch / Check valve and Upper Housing Kit (Replaces all previous switch designs)	1
2	GA5071575	Valve plate assembly	1
3		Diaphragm / Drive assembly	1
4		Motor	1
5		Complete Pump Head assembly (includes parts # 1,2,3) (Replaces all previous switch designs)	1
6	GA5071580	Diaphragm Assembly Kit	1
7	GA5071570	Housing Upper Male Threads	1
8	GA5071565	Pressure switch	1

12v Shurflo 5059 Pump 20 l/min 60 psi

Service Kits

Kits are readily available to repair standard 5059 series pumps. Repair kits include simple illustrated instructions allowing easy installation.

To ensure that the correct kit is received, the model number and all name plate data must be included with the order.



Pos	Part No	Description	Qty
1	GA5071525	Switch only	1
2		Upper Housing with Switch	1
3	GA5071530	Valve Assembly	1
4		Drive Assembly	1
5		Motor	1
6		Switch / Check valve and Upper Housing Kit (Replaces all previous switch designs)	1
7	GA5071540	Check Valve	1
8	GA5071535	Diaphragm Assembly Kit	1

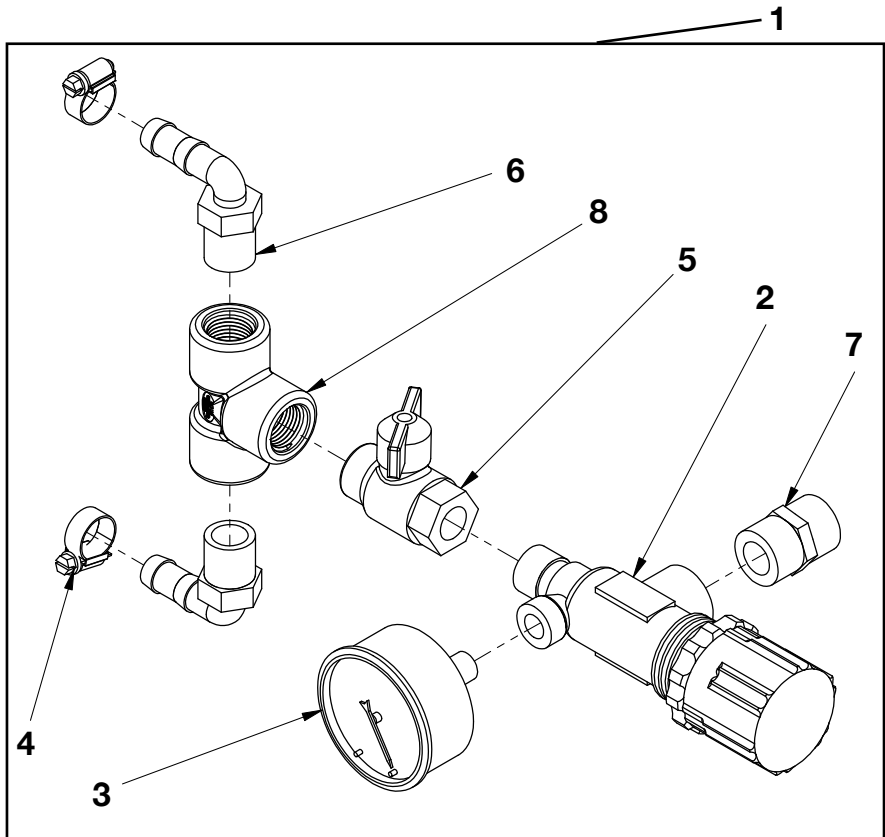
Traymate 200 Components



Pos	Part No	Description	Qty
1	HB050-90	Hose barb, Elbow, 90 degree, ½ male thread x ½ hose, Banjo	2
2	T12T	Tee, Threaded, ½" male x ½" hose	1
3	GA5000681	Valve, Ball, 13mm hose barb inlet & outlet	1
4	HB075-050	Hose barb, Straight, ¾ male thread x ½ hose, Banjo	1
5	GA5018772	Hose mender, Standard, Suit ½ to ¾ plastic	1
6	HB025/050-90	Hose barb, Elbow, 90 degree, ¼ male thread x ½ hose, Banjo	2
7	GA5000469	Hose clamp, ½, SS, 12-20/9W3	14
8	GA5007231	Hose clamp, Cobra type, ½	2
9	HOS13P	Hose, Pressure, 12mm, Black, 250psi	1.1
10	HOS10P	Hose, Pressure, 10mm, Black 250 psi	5
11	HOS12WSIGHT	Hose, 12mm, Clear, Wire reinforced	0.3
12	GA5050170	Strap, Tank, 25 wide, Black, Pathway	2
13	F70136A	Bracket, tank strap, 25mm, SS	4
14	HOS12SIGHT	Hose, Clear, 12mm, Sight tube	0.5
15	GA5023400	Pump, 12 Volt , 6.8lt/min Max 100 psi, SHURflo	1
16	GA5008745	Filter, Inline, ½" hose barbs	1
17	GA4901089	Tank, 200 Litre, XL Tube	1
18	300110	Filter screen, Basket type, Diameter 203 x 120 deep	1
19	3522221	Lid, Tank, 255 diameter, With breather	1
20	GA5012667	Switch, Toggle, On / Off, Single pole single throw	1

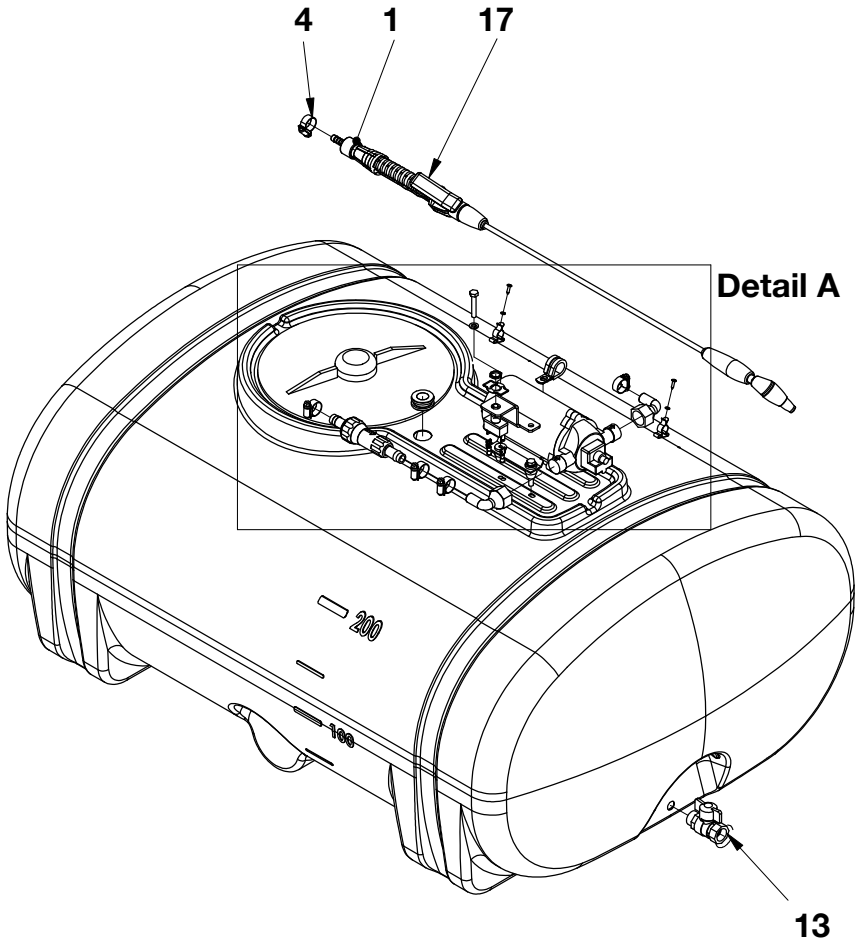
Pos	Part No	Description	Qty
21	GA5009277	Fuse holder, Glass fuse, Panel mount	1
22	GA5005785	Battery Clip 10 Amp (pair)	1
23	GA5003039	Electrical wire, 3mm, Twin core, Double insulated, Black outer , Red & black inner	5
24	GA5018788	6mm quick connect female red	4
25	TM100-002MACH	Frame support rod for 100L XL traymate	4
26	GA4532825	Traymate End Plate 200L XL - LH	1
27	GA4532826	Traymate End Plate 200L XL - RH	1
28	GA4900546	Gunjet, AA30, adjustable nozzle, with fittings	1
29	GA5018307	Valve, Ball, 12mm female thread inlet / outlet, SS, Butterfly handle	1
30	HB075/050-90	Hose barb, Elbow, 90 degree, ¼ male thread x ½ hose, Banjo	1
31	GA5012985	Pinchweld, Black Plain 8mm wide x 14mm	2
32	GA5009283	Fuse 10 amp	1
33	HB050	Hose barb, Straight, ½ male thread x ½ hose, Banjo	1
34	GA5012049	Narva Joiner RED 2.5-3mm Wire - 56154	2
35	GA5062670	Sticker PW Important Operators Manual decal	1
36	GA5064185	Sticker Goldacres small	1
37	GA5062281	Sticker warning	1

Traymate Regulator Assembly



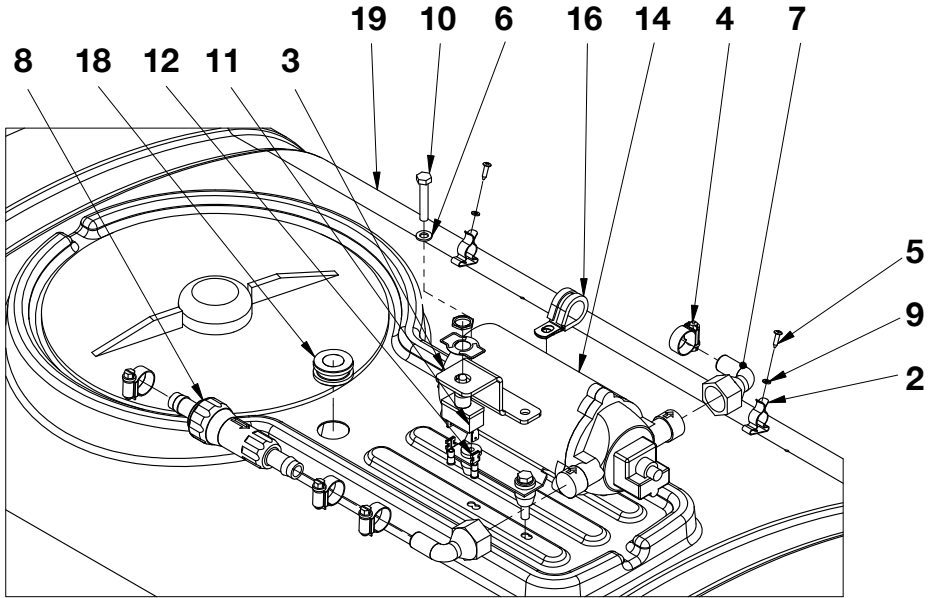
Pos	Part No	Description	Qty
1	GA4913615	Regulator Kit Assembly	1
2	23120-1_2-PP	Valve, Pressure relief, 1/2" inlet & outlet, 150psi (10bar), Teejet	1
3	GA5055815	63mm back entry 60psi Pressure Gauge, 1/4" bsp	1
4	GA5000469	1/2" SS hose clamp	2
5	GA5020125	Valve, Ball, 12mm, 1/2" Male, Female Butterfly, Brass	1
6	HB050-90	Hose barb, Elbow, 90 degree, 1/2" male thread x 1/2" hose, Banjo	2
7	NIP075SH	Nipple, 3/4" male x 3/4" male, Short, Banjo	1
8	TEE050	Tee, Threaded, 1/2" female, Banjo	14

Spotmate 200 Components



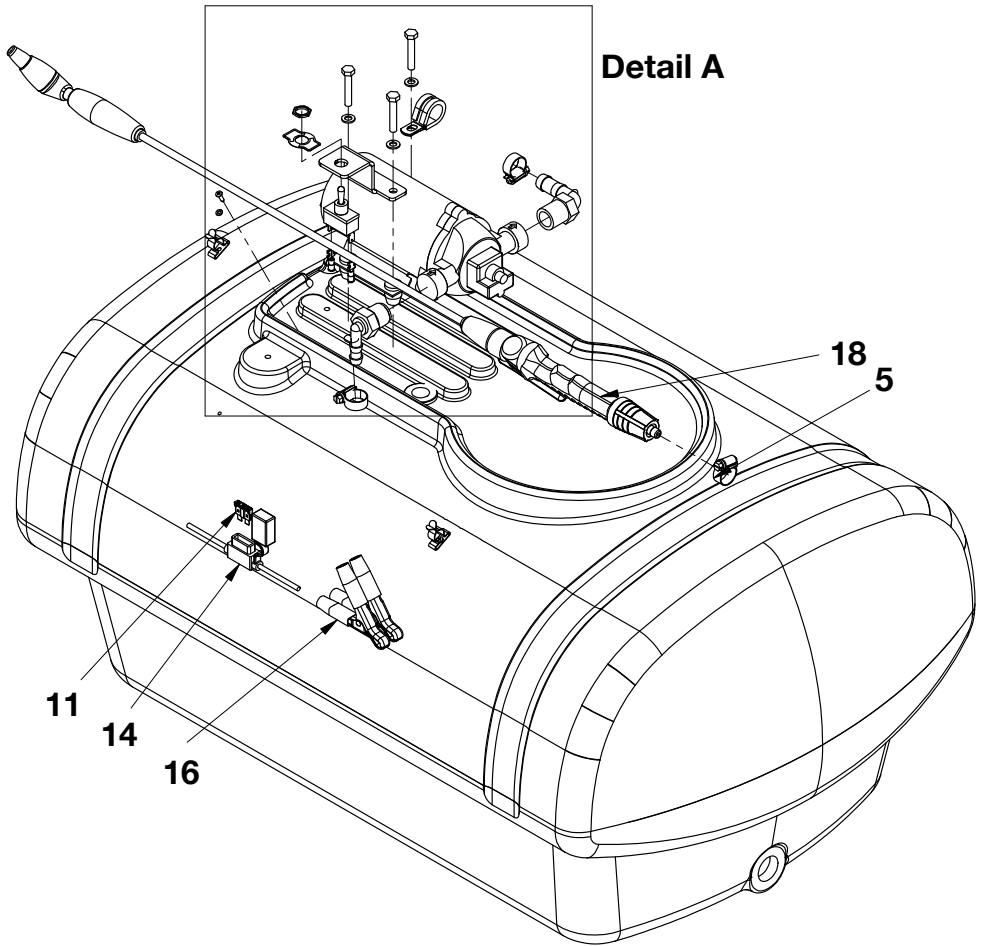
Pos	Part No	Description	Qty
1	CP50786-PP-406	Hose barb, Female thread suit 50800 lance inlet x 3/8" hose, Teejet	1
2	GA0100052	Tool Clip, Closed Type 13mm	2
3	GA4508135	Plate, Switch Mount for 12v Sprayers, 2mm S/S	1
4	GA5000469	1/2" SS hose clamp	5
5	GA5002243	Screw M3 x 10 Pan Head	2
6	GA5004437	Washer 6mm Flat SS	8
7	GA5005197	Swivel elbow, 1/2" female nut x 1/2" male barb, shurflo	2
8	GA5008745	Filter, Inline, 1/2" hose barbs	1

Spotmate 200 Components Detail A



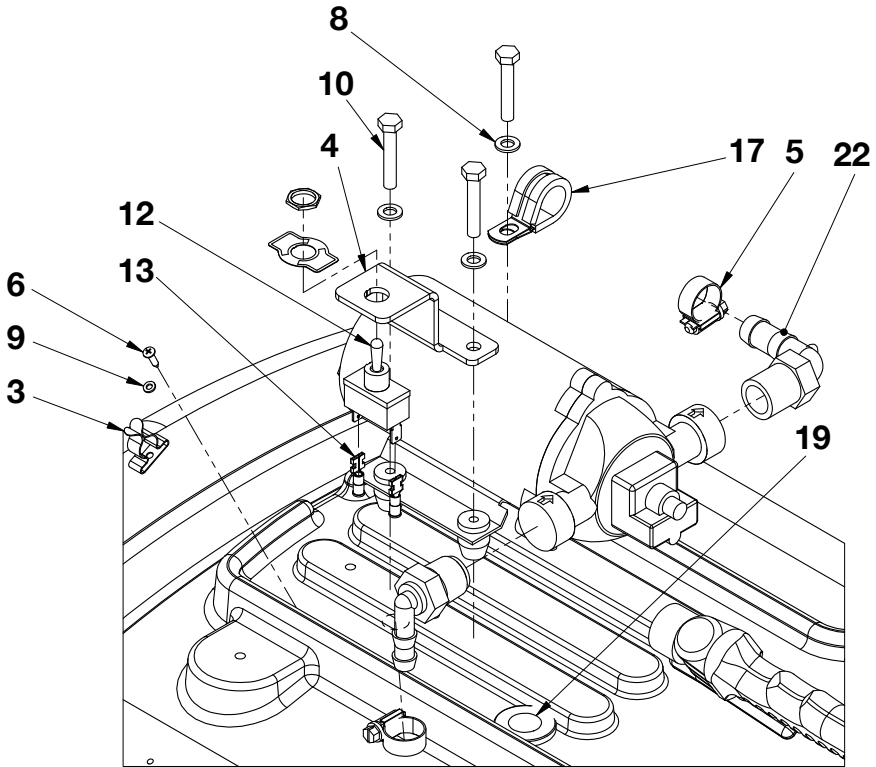
Pos	Part No	Description	Qty
9	GA5011351	Washer 3mm Flat SS	2
10	GA5011405	Bolt M6 x 35 GR8.8 ZP	4
11	GA5012667	On/Off Switch ST25B	1
12	GA5013621	Connector Female Blade Narva (6.3mm Blue)	2
13	GA5020615	Valve, Ball, 12mm, ½" Male, Female Butterfly, Brass	1
14	GA5023400	Pump, 12 Volt , 6.8lt/min Max 100 psi, SHURflo	1
15	GA5048115	Nut M6 Nyloc ZP	4
16	GA5049825	21mm Rubber Lined Hose Clamp	1
17	GA5060955	Lance, Telescopic, 135cm, Aluminium, With handle, Marolex	1
18	GA5070770	Grommet 16 x 6.4 x 25.4 Wiring	1
19	GA8500007	Tank, 200L, Flat Base	1

Spotmate 100 Components



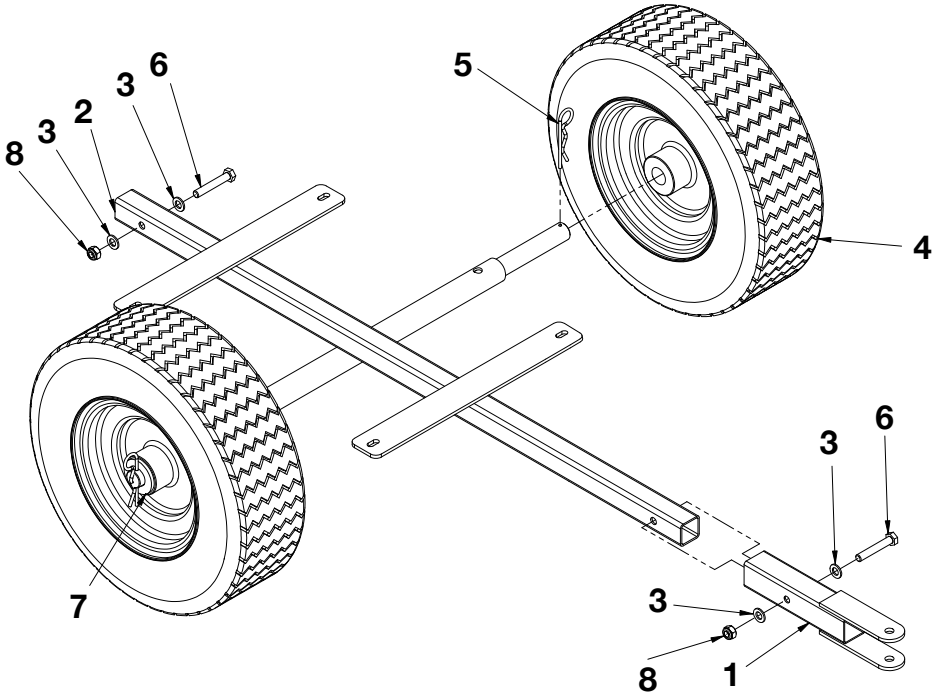
Pos	Part No	Description	Qty
1	305010	Filter Suction D10 Arag	1
2	CP50786-PP-406	Hose barb, Female thread suit 50800 lance inlet x 3/8 hose, Teejet	1
3	GA0100052	Tool Clip, Closed Type 13mm	2
4	GA4508135	Plate, Switch Mount for 12v Sprayers, 2mm S/S	1
5	GA5000469	1/2" SS hose clamp	4
6	GA5002243	Screw M3 x 10 Pan Head	2
7	GA5004429	Nut M6 Nyloc SS	4
8	GA5004437	Washer 6mm Flat SS	8
9	GA5011351	Washer 3mm Flat SS	2
10	GA5011405	Bolt M6 x 35 GR8.8 ZP	4
11	GA5012003	Narva 15 amp blade fuse (52815)	1

Spotmate 100 Components Detail A



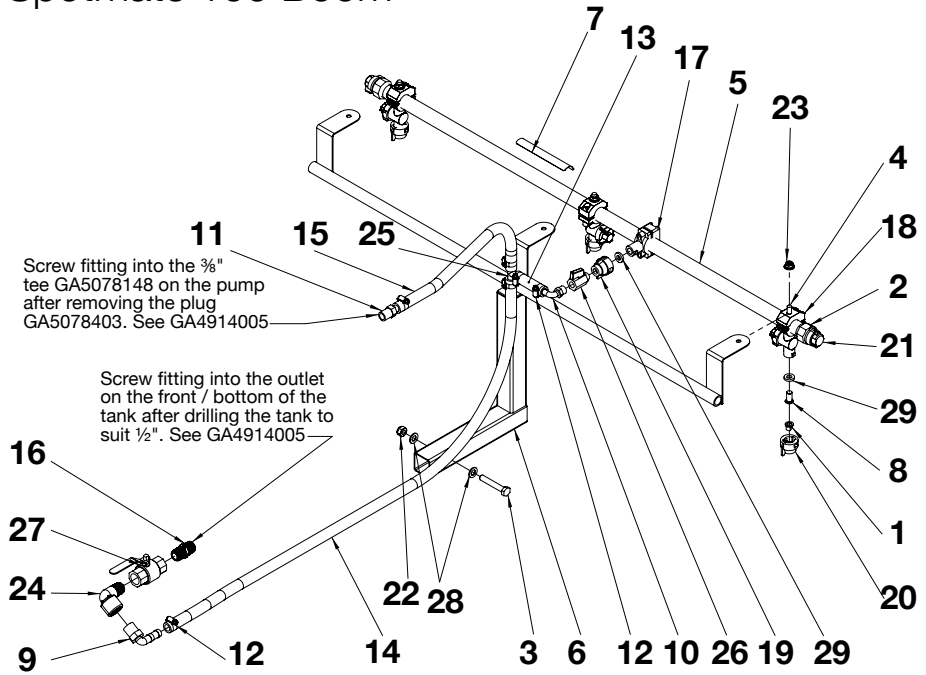
Pos	Part No	Description	Qty
12	GA5012667	Switch, Toggle, On / Off, Single pole single throw	1
13	GA5013621	Connector Female Blade Narva (6.3mm Blue)	2
14	GA5022446	Inline Standard Blade Fuse Holder	1
15	GA5023401	SHURflo 12 Volt Pump, 6.8lt/min Max 107 psi, 3/8" Female Ports	1
16	GA5024125	Battery Clip 50 Amp (pair)	1
17	GA5049825	21mm Rubber Lined Hose Clamp	1
18	GA5060955	Lance, Telescopic, 135cm, Aluminium, With handle, Marolex	1
19	GA5070770	Grommet 16 x 6.4 x 25.4 Wiring	1
20	GA8500006	100L Tank Brass insert positions	1
21	HB050-038-90	Hose barb, Elbow, 90 degree, 1/2" male thread x 3/8" hose, Banjo	1
22	HB050-90	Hose barb, Elbow, 90 degree, 1/2" male thread x 1/2" hose, Banjo	1

Spotmate 100 Trailer



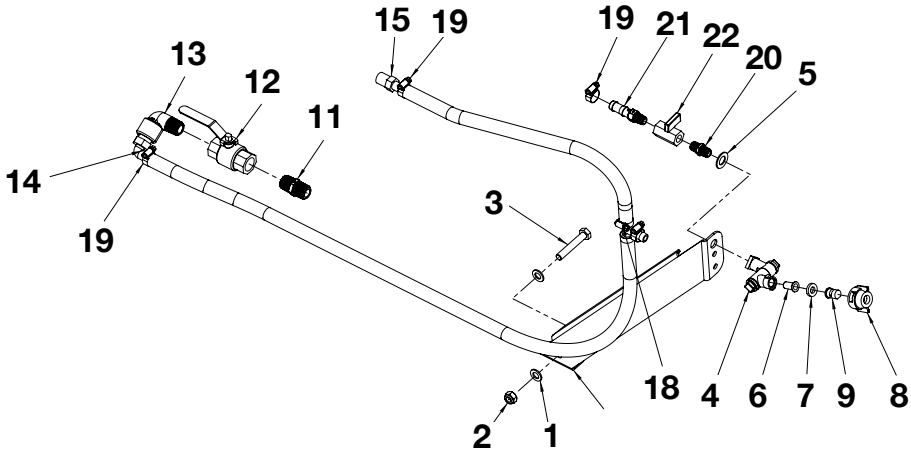
Pos	Part No	Description	Qty
1	GA4600385	Towing Hitch, 100L, Spotmate	1
2	GA4661190	Chassis, Trailer, 100L, Spotmate	1
3	GA5000117	Washer 10mm Flat SS HD	6
4	GA5000937	16 x 6.5 - 8 Turf tyres	2
5	GA5007197	Clip R type 4 mm Z/P S12	2
6	GA5011175	Bolt M10 x 60 GR8.8 ZP	2
7	GA5017659	Washer 1 Flat ZP HD (5mm thick)	2
8	GA5051445	Nut M10 Nyloc SS	2

Spotmate 100 Boom



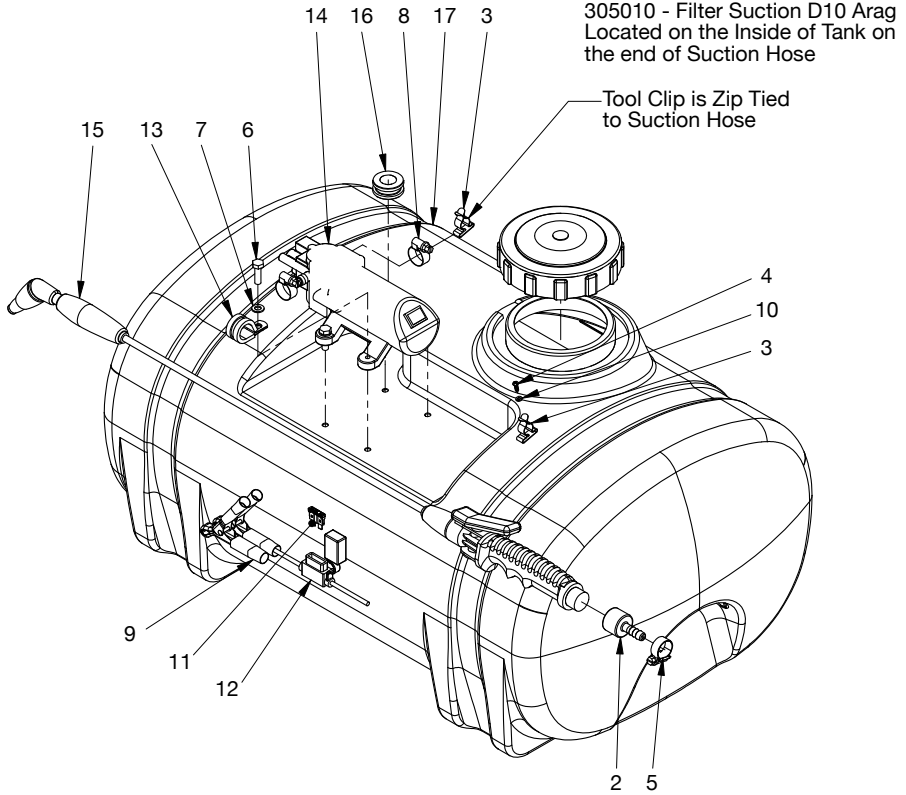
Pos	Part No	Description	Qty
1	GA8100430	AIXR Teejet, Violet 025, Polymer, AIXR110025VP	3
2	GA5076904	Adapter, Boom flush, 3/4" female quick fitting, 400278	2
3	GA5011175	Bolt M10 x 60 GR8.8 ZP	1
4	GA5052595	Bolt M8 x 20 SS A270	3
5	GA5018269	Boom line, Poly, 3/4", 1100 long, No holes	1
6	GA4600110	Boom, Frame, Lawn Mower ST 3 Jet	1
7	GA5063370	Decal, Warning, Nozzles, Chemical	1
8	GA5077159	Filter, Nozzle tip, Red, 50 mesh, Polypropylene & SS, Teejet, 8079-PP-50	3
9	GA5077708	Hose barb, Elbow, 90 degree, 1/2" male thread x 1/2" hose, Banjo, HB050-90	1
10	GA5077693	Hose barb, Elbow, 90 degree, 1/4 male thread x 1/2" hose, Banjo, HB025/050-90	1
11	GA5077700	Hose barb, Straight, 3/8" male thread x 1/2" hose, Banjo, HB038-050	1
12	GA5000469	Hose clamp, 1/2", SS	6
13	GA2000211	Hose, Pressure, 12mm, Black, 250psi, HOS13P X 70mm	1
14	GA2000211	Hose, Pressure, 12mm, Black, 250psi, HOS13P cut 1200mm	1
15	GA2000211	Hose, Pressure, 12mm, Black, 250psi, HOS13P cut 450mm	1
16	GA5077911	Nipple, Short, 1/2" male thread x 1/2" male thread, Banjo. NIP050-SH	1
17	GA5077989	Nozzle body, Single, 3/4", No spray stop, Teejet, QJ7421-3/4- NYB	1
18	GA5077964	Nozzle body, Single, 3/4", Teejet, QJ17560A-3/4- NYB	3
19	GA5077983	Nozzle cap & washer, Black, Nylon, Teejet, QJ4676-1/4-NYR	1
20	GA8100464	Nozzle cap, Nylon, Black, Teejet, Suit flat spray smaller capacity nozzles (up to 08), CP25611-1- NY	3
21	GA5076913	Nozzle cap, quick fit, suit ASJ and Albus, Arag, 402901	2
22	GA5000141	Nut M10 Nyloc ZP	1
23	GA5070710	Nut with flange, Plastic, M8 x 1.25	3
24	GA5078133	Street elbow, 90 degree, 1/2" female thread x 1/2" male thread, Banjo	1
25	GA5077751	Tee, Hose barb, 1/2", Banjo, HBT050-050	1
26	GA5018323	Valve, Ball, 1/4 male, female, Black Lever handle, Chromed	1
27	GA5018309	Valve, Ball, 12mm, 1/2" female, Lever handle, Brass	1
28	GA5000117	Washer 10mm Flat SS HD	2
29	GA5055245	Washer, Nozzle Cap Seal, Rubber, 19 OD x 9 ID, Suit Tee Jet 4 Nozzle, Replaces CP19438-EPR	4

Boomless nozzle kit, Spotmate 100L



Pos	Part No	Description	Qty
1	GA5000117	Washer 10mm Flat SS HD	2
2	GA5000141	Nut M10 Nyloc ZP	1
3	GA5011175	Bolt M10 x 60 GR8.8 ZP	1
4	QJ8600-1_4-NYB	Nozzle Body, Single, Swivel type, 1/4 female NPT thread, Teejet	1
5	GA5017641	Washer 1/2" x 1" x 16g Flat SS	1
6	GA5077159	Filter, Nozzle tip, Red, 50 mesh, Polypropylene & SS, Teejet, 8079-PP-50	1
7	GA5055245	Washer, Nozzle Cap Seal, Rubber, 19 OD x 9 ID, Suit Tee Jet Nozzle, Replaces CP19438-EPR	1
8	CP25599-1-NY	Nozzle Cap	1
9	GA8100058	Nozzle Tip, Wide Angle Flat Spray TK-VP4, White, Polymer, Teejet	1
10	GA4401395	Plate, Spotmate Boomless Nozzle Bracket	1
11	GA5077911	Nipple, Short, 1/2" male thread x 1/2" male thread, Banjo. NIP050-SH	1
12	GA5018309	Valve, Ball, 12mm, 1/2" female, Lever handle, Brass	1
13	GA5078133	Street elbow, 90 degree, 1/2" female thread x 1/2" male thread, Banjo	1
14	GA5077708	Hose barb, Elbow, 90 degree, 1/2" male thread x 1/2" hose, Banjo, HB050-90	1
15	GA5077700	Hose barb, Straight, 3/8" male thread x 1/2" hose, Banjo, HB038-050	1
16	GA2000211	Hose, Pressure, 12mm, Black, 250psi, HOS13P cut 1200mm	1
17	GA2000211	Hose, Pressure, 12mm, Black, 250psi, HOS13P cut 450mm	1
18	GA5077751	Tee, Hose barb, 1/2", Banjo, HBT050-050	1
19	GA5000469	Hose clamp, 1/2", SS	6
20	GA5077909	Nipple, Short, 1/4 male x 1/4 male thread, Banjo, NIP025-SH	1
21	GA5077696	Hose barb, Straight, 1/4 male thread x 1/2" hose, Banjo, HB025-50	1
22	GA5018321	Valve, Ball, 1/4 female, Black Lever handle, Chromed	1

Spotmate 50 Components



Pos	Part No	Description	Qty
1	305010	Filter Suction D10 Arag	1
2	CP50786-PP-406	Hose barb, Female thread suit 50800 lance inlet x 3/8 hose, Teejet	1
3	GA0100052	Tool Clip, Closed Type 13mm	2
4	GA0500023	Screw, 4G x 1/2", Self Tapping, Phillips Head, SS	1
5	GA5000469	1/2" SS hose clamp	1
6	GA5004063	Bolt M6 x 20 SS A-70	4
7	GA5004437	Washer 6mm Flat SS	4
8	GA5004865	Hose Clamp 8-16mm	3
9	GA5005785	Battery Clip 10 Amp (pair)	1
10	GA5011351	Washer 3mm Flat SS	1
11	GA5012003	Narva 15 amp blade fuse (52815)	1
12	GA5022446	Inline Standard Blade Fuse Holder	1
13	GA5049825	21mm Rubber Lined Hose Clamp	1
14	GA5055700	Pump, 12 volt, 3.8l/min, 40 psi	1
15	GA5060955	Lance, Telescopic, 135cm, Aluminium, With handle, Marolex	1
16	GA5070770	Grommet 16 x 6.4 x 25.4 Wiring	1
17	GA8500005	Tank, 50L	1

Safety Decals

Understanding safety decals and their purpose assists in the safe operation of your sprayer. Safety decals are there for your protection and it is the responsibility of the owner operator to replace damaged and/or missing safety decals.

Regularly review safety decals with operators. It is very important to ensure that all new machine components and replacement parts include current hazard identification decals. Replacement safety decals can be ordered from all Goldacres dealers

Spotmate 50 Kit GA8700511 = GA8700339 + GA8700342 + GA8700483



Spotmate 100 Kit GA8700512 = GA8700340 + GA8700342 + GA8700483



Spotmate 200 Kit GA8700513 = GA8700341 + GA8700342 + GA8700483



Traymate 100 Kit GA8700503 = GA8700368 + GA8700342 + GA8700483 + GA8700536



Traymate 200 Kit GA8700504 = GA8700369 + GA8700342 + GA8700483 + GA8700536



Traymate 300 Kit GA8700505 = GA8700380 + GA8700342 + GA8700483 + GA8700536

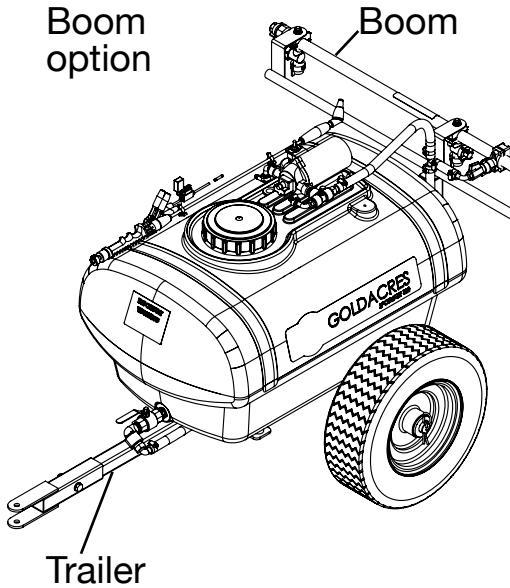


Traymate 400 Kit GA8700506 = GA8700371 + GA8700342 + GA8700483 + GA8700536



How to add a trailer and Boom or Boomless to a Spotmate 100

Boom option



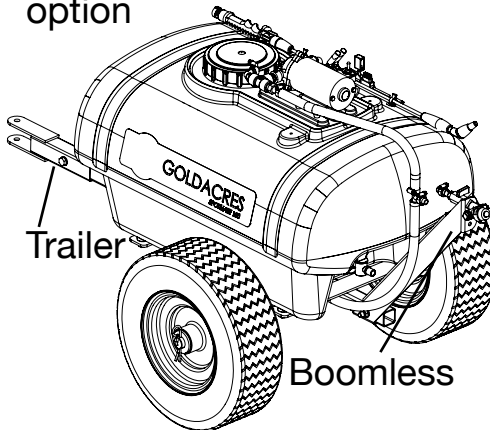
- 1 Drill out hole in brass insert at front of tank. Careful not to damage brass thread.



- 2 Fit ball valve with sealant provided.



Boomless option



- 3 Bolt on trailer. Do not over tighten bolts.



4 Bolt on boom.



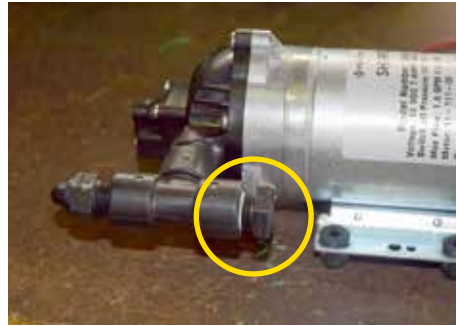
5 Fit hose.



6 Turn sprayer over and fit hose to boom.



7 Remove plug from pump



8 Fit GA5077700 hose barb to pump using sealant.



9 Connect hose from pump to tee piece.



10 Fill with water and test operation.

Safety

General

The following pages outline important safety information. At Goldacres safety is a high priority. These safety and warning instructions **MUST** be followed to ensure the safe operation of your Goldacres equipment.

Explanation of key terms used in this operator's manual are:

Danger - You will be killed or seriously hurt if you don't follow instructions

Warning - You can be seriously hurt if you don't follow instructions

Caution - You can be hurt if you don't follow instructions

Note - Is used to notify people of installation, operation or maintenance information that is important but not hazard related.

The Operator

All operators of this equipment should be adequately trained in the safe operation of this equipment. It is important that all operator's have read and fully understand the operators manual prior to using this equipment.

All new operators should be trained in an area without bystanders or obstructions and become familiar with the sprayer prior to operation.

Safety Precautions

Warnings

- FOR QUAD USE REFER TO THE QUAD OPERATORS MANUAL.
- Any unauthorised modifications to this equipment may affect its function and create a serious safety risk.
- Never attempt to clean parts or nozzles, by blowing with mouth.
- Never attempt to siphon chemicals, or substances, by sucking.
- It is imperative that the vehicle manufacturer's specifications be checked and all instructions for use when

transporting, or towing, be adhered to at all times.

- Care should be taken when transferring liquid into the tank to ensure that the gross weight of the equipment does not exceed the carrying, braking and/or towing capacity of the vehicle to which the equipment is attached as specified by the vehicle manufacturer.

NOTE: 1 LITRE WATER = 1KG.

- Water weighs 1kg per litre, however conversion factors must be used when spraying liquids that are heavier or lighter than water. Example: liquid urea has a density of 1.28 kg/L and will therefore be significantly heavier than water if the tank is filled completely.
- Suitable care should be taken when driving with the equipment attached to the vehicle. Consideration should be given to both the carrying capacity of the vehicle and the gradient of the terrain when determining the speed at which the vehicle can be driven safely.
- Ensure that the maximum speed of the vehicle, when loaded, is within the vehicle manufacturers limitations.
- Ensure equipment is securely fastened, or attached to the vehicle at all times.
- Never stand within the radius of boom wings.
- Regularly check the pump mounting bolts. The pump will always vibrate to some degree when operating, and this may work the bolts loose.

Cautions

- A supply of fresh water should be with the equipment at all times.
- Standard polyethylene tanks are not designed for use with diesel fuel or any flammable liquid.
- Do not use this machine in ambient temperatures exceeding 40 degrees Celsius.
- Ensure that all bolts are tightened and secured before operation.
- Where fitted, always ensure that the boom (where fitted) is securely supported when travelling.

- Area surrounding equipment may become slippery when wet.

Notes

- Always read and understand the operator's manual prior to operation of this equipment.
- It is the responsibility of the operator to ensure that there are no decals missing from the equipment and that any damaged or missing decals are replaced prior to operation.
- Goldacres equipment ordered or operated, outside the guideline limitations may not be warranted by Goldacres for successful performance. Operators working outside these limitations do so at their own risk, unless specific advice has been sought from and provided by Goldacres in writing.
- Always read and follow the chemical manufacturer's guidelines for safe application as per the chemical label. Particular attention should be given to the recommended target application rate of the chemical being applied as per the chemical label.
- Inspect the equipment thoroughly for damage and wear before operation.
- Flush chemicals from equipment immediately after use.
- Certain chemicals may be unsuitable for use with Goldacres standard plumbing designs. Consult your Goldacres dealer if in doubt.
- Do not operate the equipment while under the influence of any drugs, alcohol or if excessively tired.
- Make sure that the equipment complies with all relevant road regulations when transporting.
- When draining fluids from the equipment use appropriate, leak proof containers. Do not use food or beverage containers as someone may consume the contents by mistake.
- After reading the operator's manual if there is any thing that you do not understand please contact your Goldacres dealer or Goldacres.

Safe use of chemicals

The safe use of Ag chemicals with this equipment is the responsibility of the owner/operators. All operators should be trained in the safe use of Ag chemicals. Goldacres suggest that a relevant course is completed by owners/operators prior to operation of this equipment as a spray unit.

Personal Protective Equipment (PPE)

Always wear close fitting clothing and safety equipment designed for the job.

Chemicals can be harmful to humans, appropriate PPE should be used when handling chemicals.

Always refer to the chemical manufacturers label for guidelines on the appropriate PPE to use with the chemicals you are using.

Goldacres also suggest that you read and understand the following Australian standards:

- Australian Standard for Chemical protective clothing AS3765
- Australian Standard for Respiratory protection devices AS1715

Airborne particles

Always stand well clear of equipment during operation. Any spray drift is dangerous and may be hazardous to humans and animals.

Fluids under pressure

Do not disconnect any hoses, nozzles or filters while equipment is operating. Disconnecting these components while under pressure may result in uncontrolled fluid discharge which may be hazardous.

When the repair is complete ensure that all fittings and lines are secured before re-applying pressure.

Warranty

How to make a warranty claim

In the event of a fault or breakdown with your product, that you believe to be a warranty issue, the following steps must be taken.

1. Ensure that you have read the Operator's Manual and gone through the troubleshooting procedure.
2. If you continue to experience problems then please contact Goldacres on 03 5342 6399. The operator will advise the method of warranty service for your product.

Warranty exclusions

Machines must be registered for warranty before a warranty can be requested. All information on delivery and installation must have been submitted before a claim can be requested. If follow up inspections are required these must have been carried out before warranty is requested as well.

Goldacres 12 month standard warranty

Some common exclusions:

- Pump diaphragms
- Pump Seals
- Pump check valves
- Pump o-rings
- Filters and filter screens
- Filter o-rings
- Chemical Hoses
- Nozzle Bodies
- Nozzle Body Brackets
- Nozzle Diaphragms and seals
- Solenoid Diaphragms
- Hand Gun, lance or wand seals and o-rings
- Consumables, oil, chemicals, coolant or fuels.
- Hose reel seals and o-rings
- Pressurised sprayer seals and o-rings
- Belts drive chains.
- Wire cables
- Springs
- Shockers and dampeners
- Adjustment of components.
- Damaged items.
- Items controlled by or fitted to Non Genuine parts or devices

Goldacres Warranty Statement

This warranty is the only warranty applicable to Goldacres new products (Products) and to the maximum extent as permitted by law, is expressly in lieu of any other conditions or warranties expressed or implied in relation to the Product.

In Australia, Goldacres Products come with guarantees that cannot be excluded under the Australian Consumer Law. You are entitled to a replacement or refund for a major failure and compensation for any other reasonably foreseeable loss or damage. You are also entitled to have the goods repaired or replaced if the goods fail to be of acceptable quality and the failure does not amount to a major failure.

This Warranty gives you additional protection for your Goldacres product and identifies a preferred approach to resolving warranty claims which will be the quickest and simplest for all parties subject to the exclusions, terms and conditions below.

Goldacres warrants its authorized Dealers who in turn warrants the original purchaser (Owner) that each new Goldacres Product will be free from proven defect in materials and workmanship for twelve (12) months from the date of delivery to the first owner according to conditions outlined herein.

Subject only to legislative obligations to the contrary, Goldacres shall not be liable for incidental or consequential damage resulting from ownership or use of a Product.

Goldacres does not authorize any person to create for it any other obligation or liability in connection with these products.

The repair of the defective Product qualifying under this warranty will be performed without charge for labour and parts by any authorized Goldacres service outlet within a reasonable time following the delivery of the Product, at the cost of the owner, to the service outlet / place of business advised

Goldacres in its absolute discretion may choose to pay the cost of replacement or repair of the product.

If the Product will be repaired or replaced, using parts as supplied by Goldacres, repair may include, at Goldacres discretion, the replacement of parts with functionally equivalent remanufactured, reconditioned or new parts.

Goldacres may request failed parts to be returned to the factory.

Conditions of Warranty Coverage

The warranty covers only conditions resulting directly from defects in workmanship or materials used under normal use and service conditions.

The Warranty is not transferable.

The owner is responsible for the performance of regular maintenance and service as specified in the owner's / operators manual applicable to the product. Failure to follow regular maintenance as advised may invalidate the warranty.

The owner must provide the Goldacres Dealer with prompt written notice of the defect (within 14 days of it occurring) and allow reasonable time for repair and/ or replacement.

Goldacres warranty cover excludes:

- Claims resulting from misuse, use of incompatible chemical or fluids, exceeding the Product's specifications including overloading, impact damage, negligence, accidental damage or failure to perform recommended service or service intervals or use the Product with good care.
- Failure due to faulty or inadequate electrical sources of power. 12 volt power sources must be checked for suitability to operate the product.
- The time taken to remove and re-install warranted parts, products or components fitted to other than Goldacres brand products will not be covered by Goldacres Warranty. Only labour and parts directly attributable to the repair of the Goldacres unit is covered.
- The cleaning of parts or products before or after the warranty repair. Cleaning time is considered a customer expense.
- Any Goldacres Product which has been repaired by other than an authorized Goldacres dealer in a way which, in the sole and absolute judgment of Goldacres, adversely affects its performance or reliability.
- The replacement of maintenance items such as diaphragms, batteries, belts, etc.
- Loss of time, inconvenience, loss of use of the product, liability to third parties or any other consequential damages including damage to crops, profits or revenue, other commercial losses inconvenience or cost of rental or replacement equipment.
- Incidental costs associated with a warranty repair including any travel costs, out of hours labour charges, transportation costs, freight costs or any communications costs.
- Goldacres products purchased at auction or in used condition.

Procedure for claiming:

Claims must be made through a Goldacres Dealer. To make a claim under this Warranty, you should

- Contact your local Goldacres Dealer,
- Phone 1300 301 853 to locate a Goldacres Dealer.

Owners returning products to a Goldacres Dealer will require the original Dealer tax invoice, a copy of the tax invoice or delivery docket and any instruction manuals, information booklets or guides that were shipped with the Product.

Terms and Conditions

Interpretation

1. In terms and conditions:
 - (1) "Goldacres" means Goldacres Trading Pty. Ltd. A.C.N. 061 306 732 trading as Goldacres Agricultural Equipment (its successors and assigns) which is the seller of the Goods;
 - (2) "Purchaser" means the purchaser of the Goods;
 - (3) "Goods" means the products and, if any, the services sold or provided by Goldacres to the Purchaser;
 - (4) "GST Act" and "GST" are given the meanings referred to in a New Tax System (Goods and Services Tax) Act 1999.
 - (5) "PPSA" means the Personal Property Securities Act 2009 (Cth) (as amended);
 - (6) Nothing in these terms and conditions shall be read or applied so as to exclude, restrict or modify or have the effect of excluding, restricting or modifying, any condition, warranty, guarantee, right or remedy implied by law (including the Competition and Consumer Act 2010) and which by law cannot be excluded, restricted or modified.

General

2. (1) The Goods and all other products or services provided by Goldacres are provided subject to these terms and conditions. These terms and conditions and any terms and conditions incorporated herein by virtue of clause 3 hereto shall prevail over all other terms and conditions of the Purchaser or otherwise to the extent of any inconsistency.
- (2) These terms and conditions may not be modified or amended without the expressed written consent of Goldacres endorsed by the Managing Director of Goldacres Trading P/L.

Additional Terms and Conditions

3. From time to time Goldacres may provide additional or extended warranties in respect of certain goods and/or services. Where such additional or extended warranties are provided to a Purchaser in writing they will be incorporated into these terms and conditions provided that in the event of any inconsistency between these terms and conditions and the terms of any additional or extended warranty, the provisions of the additional or extended warranty shall prevail.

Goldacres quotations.

4. Unless previously withdrawn, Goldacres quotations are open for acceptance within the period stated therein or, when no period is stated, with 14 days only of the quotation date. Goldacres reserves the right to refuse any order based on any quotation within 7 days of receipt of the order.

Packing

5. The cost of any special packing and packing materials used in relation to the Goods shall be at the Purchaser's expense notwithstanding that such cost may have been omitted from any quotation.

Shortage

6. The Purchaser waives any claim for shortage of any Goods delivered if a claim in respect thereof has not been lodged with Goldacres within (7) seven days from the date of receipt of the Goods by the Purchaser.

Specifications, etc. Catalogues, etc. Quantities

7. All specifications, (including but not limited to: drawings, particulars of weights, volumes, capacities, dimensions, load factors) are approximate only and any deviation shall not be taken to vitiate any contract with Goldacres or form any claim against Goldacres. The descriptions, illustrations, and performances contained in catalogues, price lists and other advertising matter do not form part of the contract of sale of the Goods. Where specifications, drawings or other particulars are supplied by the Purchaser, Goldacres' price is made on estimates of quantities required. Should there be any adjustments in quantities above or below the quantities estimated by Goldacres and set out in a quotation, then any such increase or decrease shall be adjusted on a unit rate basis according to unit prices set out in the quotation.

Performance, Capacities, Chemicals, Liquids, Application Methods, Environmental Effects

8. Any performance, volumes, and/or capacity figures given by Goldacres are estimates only. Goldacres shall be under no liability for damages for failure to obtain such figures unless specifically guaranteed in writing and any such written guarantee shall be subject to the recognised tolerances applicable to such figures. The suitability of chemicals and other liquids for any application and the application methods and the environmental effects shall be the sole decision and responsibility of the Purchaser and the user of the Goods. Goldacres gives no warranty as to the suitability of any chemicals or other liquids for any application, nor the application methods nor the environmental effects, which may result from the use of the Goods. Goldacres shall be under no liability for damages arising out of the use of any chemicals, liquids, or mixtures in the Goods nor for any application, nor for the application methods nor for the environmental effects, which may result from the use of the Goods.

Delivery/Service Times

9. The delivery times and service times made known to the Purchaser are estimates only and Goldacres shall not be liable for late delivery, non-delivery or delay and under no circumstances shall Goldacres be liable for any loss, damage or delay occasioned by the Purchaser or its customers arising from the late or non-delivery or late installation of the Goods.

Loss or damage in transit

10. Goldacres is not responsible for any loss or damage to Goods in transit. Goldacres shall render the Purchaser such assistance as may be necessary to press claims on carriers provided that the Purchaser shall have notified Goldacres and the carriers immediately the loss or damage is discovered on receipt of Goods and shall lodge a claim on the carrier within three days of the date of receipt of the Goods. Insurance of Goods in transit is the responsibility of the Purchaser.

Limit of Liability

11. (1) Goldacres liability for Goods manufactured by it is limited to:
 - (a) where the law implies consumer guarantees into these terms and conditions pursuant to Part 3.2 Division 1 of Schedule 2 to the Competition and Consumer Act 2010 (Cth) ("consumer guarantees") which cannot be excluded and Goldacres breaches a consumer guarantee, the loss and damage the Purchaser is entitled to at law which cannot be excluded by these terms and conditions;

and, in all other cases

- (b) making good any defects by repairing the same or at Goldacres option by replacement within a period not exceeding either 1000 hours or twelve calendar months, whichever comes first, after the Goods have been dispatched provided that:
 - (i) the defects have arisen solely from faulty materials or workmanship;
 - (ii) the Goods have not received mistreatment, inattention or interference;
 - (iii) accessories of any kind used by the Purchaser are manufactured or approved by Goldacres;
 - (iv) where applicable, the seals on the Goods remain unbroken;
 - (v) there has been no improper adjustment, calibration or operation;
 - (vi) the use of accessories including consumables, hardware or software (not manufactured by Goldacres) has been approved in writing by Goldacres;
 - (vii) no contamination or leakage has been caused or induced;
 - (viii) any modification to the Goods have been authorised in writing by Goldacres;
 - (ix) there has been no inadequate or incorrect use, storage, handling or application of the Goods;
 - (x) there has been no use or operation of the Goods outside of the physical, electrical or environmental specifications of the Goods;
 - (xi) there has been no inadequate or incorrect site preparations;
 - (xii) there has been no inadequate or improper maintenance of the Goods;
 - (xiii) it has not been caused by fair wear and tear; and
 - (xiv) firstly the Goods have been thoroughly inspected and any damage (from whatever cause) to the Goods (and in particular – the structure, welding, seams, bolts, booms) has been repaired prior to the Goods being operated, used driven or moved and on each occasion the tanks are filled; and
 - (xv) there has been no failure to comply with the requirements of all present or future laws or regulations relating to the Goods and/or the use and/or the operation of the Goods; and there has been no failure to maintain a record of hours of operation (which record shall contain full details of all inspections, repairs and maintenance) and produce same to Goldacres at the time of the claim;
 - (xvii) the defective Goods or any damaged part of the Goods are promptly returned free of cost to Goldacres or a representative of Goldacres;
 - (xviii) all warranty related repairs have been carried out with the prior authorisation of Goldacres;
- (2) If Goods or any part thereof are not manufactured by Goldacres, in particular engines, engine accessories, transmissions, transfer cases, differentials, tyres, tubes, batteries, radios and UHF's, the guarantee of the manufacturer thereof shall be accepted by the Purchaser and is the only guarantee given to the Purchaser in respect of the Goods or that part provided always that this clause does not seek to exclude the consumer guarantees;
- (3) In the case of hydraulic systems, Goldacres shall replace defective parts in accordance with clause 11(f) of these conditions, provided that the failure of the part was not related to contamination within the system, Goldacres shall not be liable for labour in the case of repairing hydraulic system defects;
- (4) Goldacres will not accept liability for damage attributed to fair wear and tear including but not limited to fair wear and tear to nozzles, chains, belts, filters, brake pads, polyethylene bushes and liquid pump valves, valve O-rings, diaphragms and seals;
- (5) Goldacres shall not be liable for and the Purchaser releases Goldacres from any claims in respect of faulty or defective design of any Goods supplied unless such a design has been wholly prepared by Goldacres and the responsibility for any claim has been specifically accepted by Goldacres in writing and in any event Goldacres liability hereunder shall be strictly limited to the replacement of defective parts in accordance with paragraph 11(f) of these conditions provided always that this clause does not seek to exclude the consumer guarantees;
- (6) Except as provided herein, all express and implied warranties, guarantees and conditions under statute or general law as to the merchantability, description, quality, suitability or fitness of the Goods for any purpose or as to design, assembly, installation, materials or workmanship or otherwise are hereby expressly excluded and Goldacres shall not be liable for physical or financial injury, loss or damage or for consequential loss or damage of any kind arising out of the supply, layout, assembly, installation or operation of the Goods or arising out of Goldacres negligence or in any other way whatsoever;
- (7) The benefit of any warranty provided under these terms and conditions shall only be available to the Purchaser and shall not be transferable by the Purchaser;
- (8) The warranties provided under these terms and conditions do not extend to second hand or used Goods that may be sold by Goldacres.
12. Goldacres liability for breach of a consumer guarantee is hereby limited (in the case of goods and services not used for personal, domestic or household purposes) to:
 - (1) in the case of Goods, any one or more of the following:
 - (a) the replacement of the Goods or the supply of equivalent Goods;
 - (b) the repair of the Goods;
 - (c) the payment of the cost of replacing the Goods or acquiring the equivalent Goods;
 - (d) the payment of having the Goods repaired; or
 - (2) in the case of services;
 - (a) the supplying of the services again; or
 - (b) the payment of the cost of having the services supplied again.

Prices

13. (1) Unless otherwise stated in writing by Goldacres, all prices quoted by Goldacres are inclusive of GST for supplies within Australia and exclusive of GST for exports outside of Australia. Prices quoted are those ruling at the time of quotation or the date the price is given and are based on rates of freight, insurance, customs, duties, taxes, exchange, shipping expenses, sorting and stacking charges, cartage, cost of materials and other charges affecting the cost of production ruling on that date and any alterations thereto either before acceptance of or during currency of the contract shall be to the Purchaser's account.
- (2) For the purpose of 38-185 of the GST Act, the day upon which the seller gives the invoice for the supply shall be the date of the invoice.

Payment

14. (1) The purchase price in relation to the Goods and the cost of the service shall be payable without deduction and or set off and payment thereof shall be made on or before the

thirteenth day of the month following the delivery of the Goods or performance of the services unless other terms of payment are expressly stated in writing.

(2) A decreasing or increasing adjustment and or the issuing of an adjustment note, pursuant to Division 21 and Division 29-C of the GST Act, shall not, in any way, constitute a release, waiver, and or forgiveness of the debt incurred by the Purchaser.

Interest on overdue payments

15. If Goldacres is not paid for any Goods or services on the due date specified in this agreement without prejudice to any other right or remedy, all outstanding money shall bear interest at the rate set, pursuant to the Penalty Interest Rates Act, Victoria, 1986, as such money, together with interest shall be recoverable forthwith from the Purchaser.

Rights in relation to Goods.

16. (1) At all times until the Debts have been paid in full the Purchaser shall be responsible for any loss or damage occasioned to the supplied Goods howsoever occasioned on a strict liability basis and shall indemnify Goldacres against any such loss or damage and shall insure and keep insured the Goods in the name of both the purchaser and Goldacres against such loss or damage to the full extent of the purchase price and shall provide a copy of such Insurance Policy to Goldacres.

(2) The Purchaser shall have the right to resell Goods but only as fiduciary agent and trustee for Goldacres by way of bona fide sale at full market value and in the ordinary course of its business.

(3) Until all the Debts have been paid in full:

(a) the Purchaser shall take custody of the Goods as trustee, fiduciary agent and bailee for Goldacres;

(b) the Purchaser shall keep the Goods separate from any other goods and properly marked, stored, protected and insured;

(c) the Purchaser must hold all of the money it receives ("Proceeds"):

(i) from the sale of any property into which Goods supplied have been incorporated; and

(ii) from the sale of Goods or provision of services including the Goods supplied by the Goldacres as bailee, fiduciary agent and trustee for Goldacres, but the Purchaser need not hold or trust any money exceeding the amount of the Debts at the time the money is received.

(d) The Purchaser expressly acknowledges that it is bound by the fiduciary obligation created in the preceding paragraph and acknowledges that:

(i) it must hold the Proceeds on trust for Goldacres;

(ii) it must place the whole of the Proceeds in an account separate from its own moneys (the "Proceeds Account");

(iii) it must maintain the Proceeds Account separate from its own moneys at all times.

(iv) it must maintain proper records for the Proceeds Account.

(v) it must not assign or encumber any book debts arising from sales made in circumstances set out in clauses 16(c)(i) and (ii) or do any other act in derogation of Goldacres' legal or beneficial interests; and

(vi) it must account to Goldacres on demand for all moneys standing to the credit of such account.

(e) For the purposes of identification of different consignments of Goods purchased from Goldacres and receipt of Proceeds, the Purchaser agrees that the principle of "Last In, First Out" shall be applied to any items that cannot be distinguished.

(f) Goldacres may trace the Proceeds in equity.

(4) Goldacres may at any time, without notice to the Purchaser and without prejudice to any other rights which it may have against the Purchaser, terminate any contract connected with the Goods and the bailment referred to in clause 16(3) and enter upon any premises owned or occupied by the Purchaser where Goldacres reasonably believes the Goods may be stored, and repossess the Goods without liability for any damaged caused, and subsequently dispose of the Goods at Goldacres's discretion if:

(a) the Debts are not paid in accordance with these terms and conditions or any other contract or arrangement between Goldacres and the Purchaser, or

(b) Goldacres receives notice of or reasonably believes that:

(i) a third person may attempt to levy execution against the Goods; or

(ii) the Purchaser is insolvent (within the meaning of the Corporations Act 2001) or bankrupt; or

(iii) the Purchaser has entered into any arrangement or composition with its creditors, gone into liquidation, or has appointed a receiver, a receiver and manager or administrator.

(5) If after repossession under clause 16(4) Goldacres sells the Goods, Goldacres shall account to the Purchaser for any proceeds of sale (less expenses of repossession and sale) that exceeds the amount of the outstanding Debts.

(6) If any Goods belonging to Goldacres are disposed of by the Purchaser or an insurance claim is made in respect of them, Goldacres shall be entitled to trace the sale or insurance proceeds, which proceeds shall be held by the Purchaser in a separate bank account on trust for Goldacres.

(7) The Purchaser agrees and acknowledges that in the event it sells Goods to a third party on account, it will include in its terms and conditions of sale a provision under which the Purchaser retains title to the Goods until such time that the total amount due in respect of the Goods and all monies owing to the Purchaser have been paid in full by that third party debtor. The Purchaser also agrees and acknowledges that in these instances, it will register its PMSI in accordance with the PPSA in respect of its security interest in the Goods.

PPSA provisions

17. (1) The Purchaser acknowledges that these terms and conditions constitute a security agreement for the purposes of section 20 of the PPSA and that a security interest exists in all Goods (and any associated Proceeds from their sale) previously supplied by Goldacres to the Purchaser (if any) and in all in future Goods (and any associated Proceeds from their sale) that may be supplied to the Purchaser by Goldacres.

(2) The Purchaser acknowledges that Goldacres has a first ranking purchase money security interest ("PMSI") (as defined in section 14 of the PPSA) in the Goods and the Purchaser must not jeopardise such ranking (whether by act or omission).

(3) The Purchaser acknowledges that it has received value as at the date of first delivery of the Goods and has not agreed to postpone the time for attachment of the security interest (as defined in the PPSA) granted to Goldacres under these terms and conditions.

(4) The Purchaser will execute documents and do such further acts as may be required by Goldacres to register the security interest granted to Goldacres under these terms and conditions under the PPSA.

(5) Until ownership of the Goods passes, the Purchaser must not give to Goldacres a written demand or allow any other person to give Goldacres a written demand requiring Goldacres to register a financing charge statement under the PPSA in respect of Goldacres's interest in the Goods.

(6) The Purchaser must indemnify Goldacres and on demand reimburse Goldacres for all costs and expenses incurred by Goldacres in respect of these terms and conditions including but not limited to Goldacres registering its security interest in the Goods, lodging, discharging or amending any financing statement or financing charge statement, or otherwise complying with the PPSA.

(7) The Purchaser agrees (other than as provided in these terms and conditions) not to sell, lease, mortgage, deal with, dispose of or create or attempt to create any other security interest in or affecting the Goods unless and until the Purchaser's Debts have been satisfied.

(8) The Purchaser waives its rights under the following provisions of Chapter 4 of the PPSA:

(a) to receive a notice on enforcement action against liquid assets (section 121(4)),

(b) to receive a notice to seize collateral (section 123);

(c) to receive a notice of disposal of Goods by Goldacres purchasing the Goods (section 129);

(d) to receive a notice to dispose of Goods (section 130);

(e) to receive a statement of account following disposal of Goods (section 132(2));

(f) to receive a statement of account if no disposal of Goods for each 6 month period (section 132(4));

(g) to receive notice of any proposal of Goldacres to retain Goods (section 135(2));

(h) to object to any proposal of Goldacres to either retain or dispose of Goods (section 137(2));

(i) to redeem the Goods (section 142);

(j) to reinstate the security agreement (section 143);

(k) to receive a notice of any verification statement (section 157(1) and section 157(3));

(9) The rights Goldacres may have under the PPSA are supplementary and in addition to those set out in these terms and conditions and do not derogate from the rights and remedies of Goldacres under these terms and conditions or under any other statute or under general law.

(10) The Purchaser must give 10 business days prior written notice of any proposed change in the Purchaser's name or other identifying characteristics and details.

Purchasers property

18. Any property of the Purchaser under Goldacres's custody or control shall be entirely at the Purchaser's risk as regards loss or damage caused to the property or by it.

Storage

19. Goldacres reserves the right to make a reasonable charge for storage if delivery instructions are not provided by the Purchaser within (14) fourteen days of a request by Goldacres for such information.

Returned Goods

20. Goldacres shall not be under any obligation to accept Goods returned by the Purchaser and will do so only on terms to be agreed in writing in each individual case.

Goods sold

21. All Goods to be supplied by Goldacres shall be described on the purchase order agreed by Goldacres and the Purchaser and the description on such purchase order modified as so agreed shall prevail over other descriptions including any Purchaser's specification or enquiry.

Cancellation

22. No order may be cancelled except with the consent in writing and on terms, which will indemnify Goldacres against all losses.

No waiver

23. The failure of any party to enforce the provisions of these terms and conditions or to exercise any rights expressed in these terms and conditions shall not be a waiver of such provisions or rights and shall not affect the enforcement of this agreement. The exercise by any party of any of its rights expressed in this agreement shall not preclude or prejudice such party from exercising the same or any other rights it may have irrespective of any previous action taken by that party.

Force Majeure

24. If by reason of any fact, circumstance, matter or thing beyond the reasonable control of Goldacres is unable to perform in whole or in part any obligation under these terms and conditions then Goldacres shall be relieved of that obligation under these terms and conditions to the extent and for the period that it is so unable to perform and shall not be liable to the Purchaser in respect of such inability.

Passing of risk

25. Risk in the Goods shall pass to the Purchaser upon delivery of the Goods to the Purchaser or collection of the Goods by the Purchaser's agent or carrier as the case may be.

Exclusion of liability

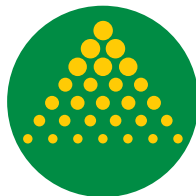
26. To the extent permitted by law Goldacres shall not be liable to the Purchaser in contract or in tort arising out of, or in connection with, or relating to, the performance of the Goods or any breach of these conditions or any fact, matter or thing relating to the Goods or error (whether or not it is negligent or a breach of contract) in information supplied to the Purchaser or a user before or after the date of the Purchaser's or user's use of the Goods and Goldacres shall be under no liability for damages arising out of the use of any chemicals, liquids, or mixtures in the Goods, nor for any application, not for the application methods nor for the environmental effects, which may result therefrom or from the use of the Goods.

Exclusion of representations and arrangements

27. To the extent permitted by law the terms and conditions supersede and exclude all prior and other discussions, representations (contractual or otherwise) and arrangements relating to the supply of the Goods or any part thereof including, but without limiting the generality of the foregoing, those relating to the performance of the Goods or any part thereof or the results that ought to be expected from using the Goods.

Place of contract

28. The contract for sale of the Goods and the provision of the services is made in the State of Victoria and the Purchaser agrees to submit all disputes arising with Goldacres to the courts of such State and any court competent to hear appeals therefrom.



GOLDACRES

1-3 Morang Crescent, Mitchell Park Vic 3355

P: 03 5342 6399 F: 03 5342 6308

info@goldacres.com.au

goldacres.com.au